

Wireless Speaker Wall Mount for Sonos Play 1 and Play 3 Speakers

Support Mural pour Enceintes sans Fil Sonos Play 1 et Sonos Play 3

Wandhalterung für Kabellose Lautsprecher von Typ Sonos Play 1 und Play 3

Supporto per Montaggio a Parete Altoparlante Wireless per Altoparlanti Sonos Play 1 e Play 3

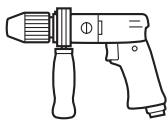
Soporte Mural Para Altavoces Inalámbricos Sonos Play 1 y Play 3

Luidsprekerbeugel voor Sonos Play 1 en Play 3 Draadloze Luidsprekers

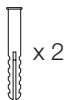
Sonos Play 1およびPlay 3スピーカー用ワイヤレススピーカーウォールマウント

B082L64HKW, B082L64HKW, B082L6R544, B082L6NQZ7

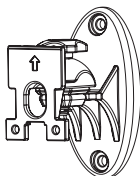
English	4
Français	9
Deutsch	15
Italiano	21
Español	27
Nederlands	33
日本語	39
Assembly • Montage • Montage • Montaggio • Montaje • Montage • 組み立て	46



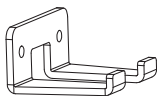
Ø 13/32" (10 mm)



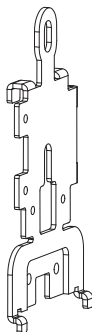
M8 x 40 mm ST 5.5 x 40 mm



A (x 1)



C (x 1)



B (x 1)



D1 (x 2)



D2 (x 2)



E (x 1)



F (x 2)





IMPORTANT SAFEGUARDS



Read these instructions carefully and retain them for future use. If this product is passed to a third party, then these instructions must be included.

When using the product, basic safety precautions should always be followed to reduce the risk of injury including the following:

⚠ CAUTION This product is for indoor use only! Never use the mount outdoors!

⚠ CAUTION This product is for private household use only and therefore may not be used in public places like restaurants or hotels.

- Read these instructions before you begin. If you are unsure about any part of the process, contact a professional contractor or installer for assistance. Only use the correct tools as noted in these instructions. Improper installation can result in personal injuries and/or damage.
- Keep children and pets away during installation, as they might swallow small parts or packaging resulting in danger of choking/suffocation.
- Check carefully to ensure that there are no missing or damaged parts. Never use defective parts.

- Use and install this product only according to the intended use as described within these instructions. Misuse may lead to hazards resulting in potential damage and personal injuries. Do not modify the structure of this product in any way. Manufacturer cannot be liable for direct or indirect damage or personal injuries caused by incorrect mounting, incorrect use, modification to the structure, or incorrect assembly. Keep the instruction manual in a safe place.
- Refer to the instruction manual provided with the speakers you are going to install on this product. It includes additional information for the mounting, ventilation and suitable mounting location. Compare the technical data and requirements to make sure that this product is suitable for your speakers.
- **IMPORTANT!** Choose the right place to install the wall plate.
- For safety reasons make sure the wall can support at least 4 times the weight of the speakers and mount. The manufacturer takes no responsibility for failure caused by walls of insufficient strength.
- The maximum wall covering thickness; such as gypsum drywall, lath, plastic, etc. should not be greater than 0.63" (16 mm) (wood stud walls) or 0.4" (10 mm) (masonry walls).
- Do not mount to drywall alone.

- Examine the wall you want to install the mount to before you start installation. Make sure that there are no hidden power supply cables, gas pipes, water pipes or other objects hidden in the wall that might be hit by the drill, screws or other hardware.
- For wood stud walls: This mount is designed to be mounted to 2" x 4" (51 x 102 mm) and Grade No. 2, wood studs that are spaced 16" (406 mm) on center. Wood studs should be 2" x 4" (51 x 102 mm), at minimum: 1.5" x 3.5" (38 x 89 mm).
- For concrete walls: The bracket must be installed into a solid concrete wall. Make sure the concrete wall is suited for Standard Test Method for Compression Strength of Cylindrical Concrete Specimens, ASTM C39, or equivalent.
- This product should never be mounted to metal framing studs or bricks.
- If the mounting bracket will be attached to any structure other than specified in this manual, only a licensed professional contractor/installer should perform this installation. The supporting structure must support, at minimum, four times the combined weight of the mounting bracket and speakers. It is the responsibility and liability of the installer to ensure the suitability of the supporting structure.
- Never install into furniture! This can lead to instability resulting in personal injuries and/or damage.

- Always support the speakers with your hands when making adjustments. Make sure to tighten screws and other connections well, but do not over-tighten them. Never use an electric tool to tighten screws and nuts.
- Once you have mounted the bracket and speakers, ensure they are sufficiently secure and safe to use.

Before First Use

- Check the product for transport damages.
- Remove all the packing materials.

⚠ DANGER Risk of suffocation! Keep any packaging materials away from children – these materials are a potential source of danger, e.g. suffocation.

Cleaning and Maintenance

Cleaning

- To clean the product, wipe with a soft, slightly moist cloth.
- Never use corrosive detergents, wire brushes, abrasive scourers, metal or sharp utensils to clean the product.



Maintenance

- Regularly check that all the components and fasteners are tightened.
- Store the product in a cool and dry place away from children and pets, ideally in its original packaging.
- Avoid any vibrations and shocks.

Specifications

Net weight:	approx. 11 lbs (5 kg)
Dimensions (W x H x D):	approx. 4.92 x 3.93 x 3" (125 x 100 x 77 mm)



Feedback and Help

Love it? Hate it? Let us know with a customer review.

AmazonBasics is committed to delivering customer-driven products that live up to your high standards. We encourage you to write a review sharing your experiences with the product.



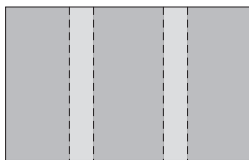
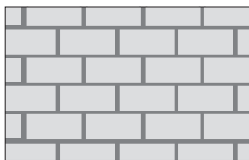
US: [amazon.com/review/review-your-purchases#](https://www.amazon.com/review/review-your-purchases#)

UK: [amazon.co.uk/review/review-your-purchases#](https://www.amazon.co.uk/review/review-your-purchases#)



US: [amazon.com/gp/help/customer/contact-us](https://www.amazon.com/gp/help/customer/contact-us)

UK: [amazon.co.uk/gp/help/customer/contact-us](https://www.amazon.co.uk/gp/help/customer/contact-us)

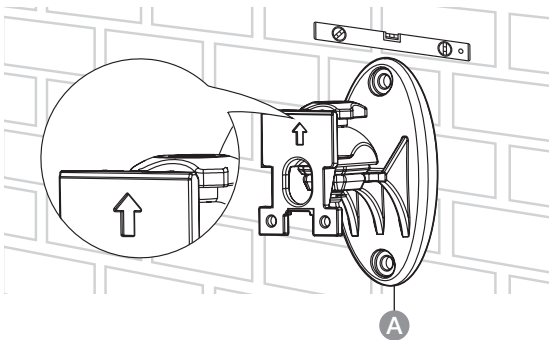


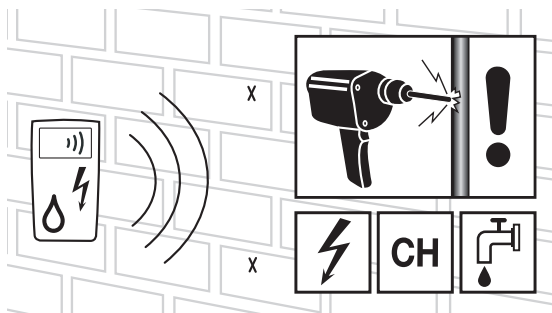
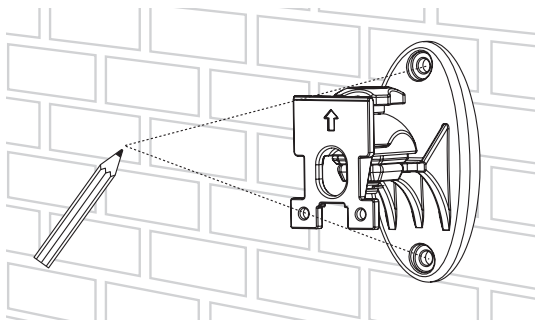
9-15

1

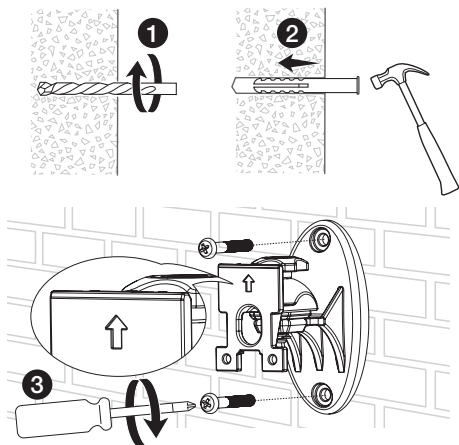


A (x 1)

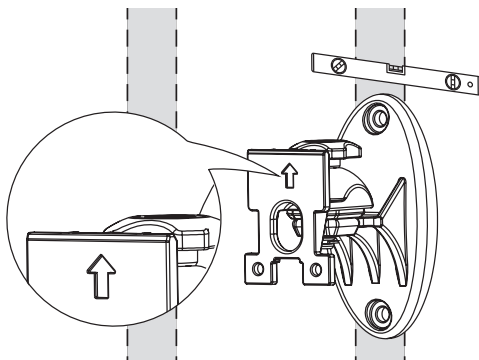


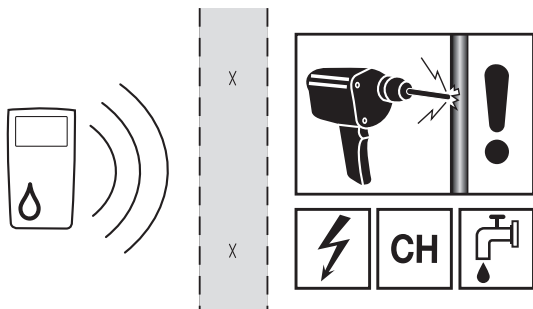
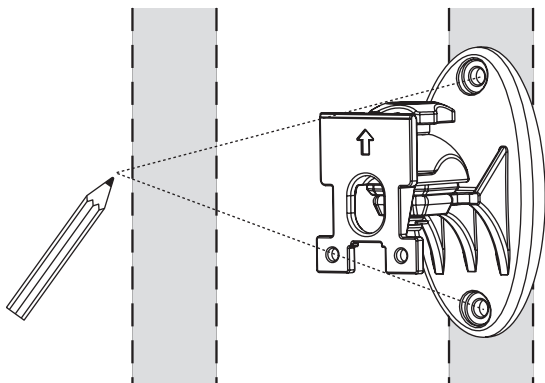


4



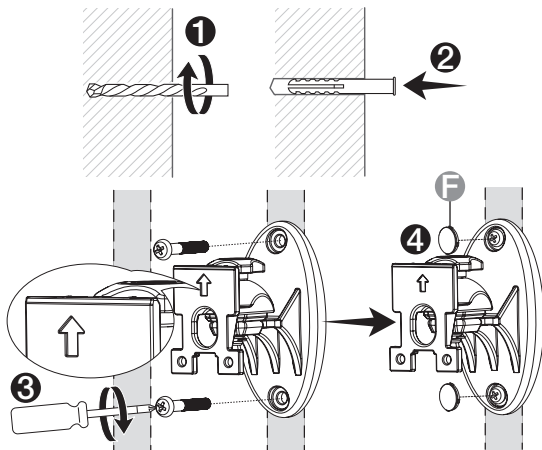
5





8

F (x 2)

**9**

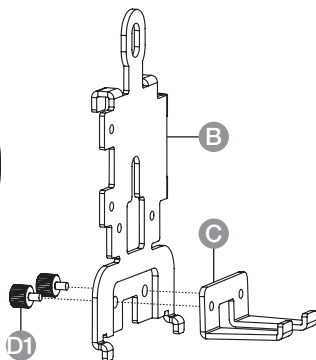
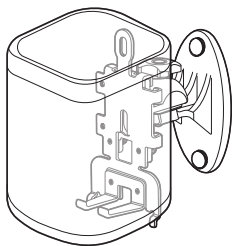
B (x 1)

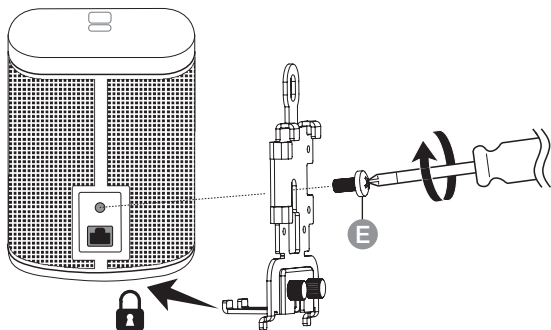
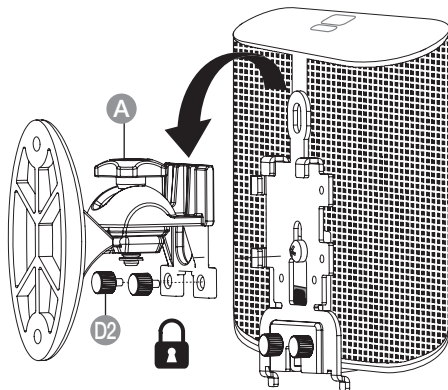


C (x 1)

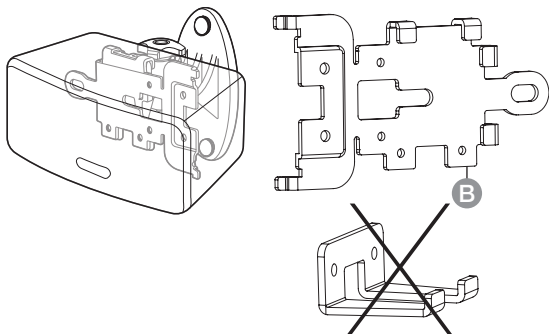


D1 (x 2)



10**E (x 1)****11****D2 (x 2)**

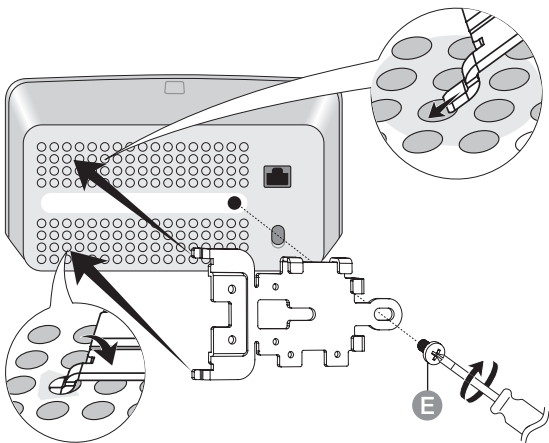
12



13



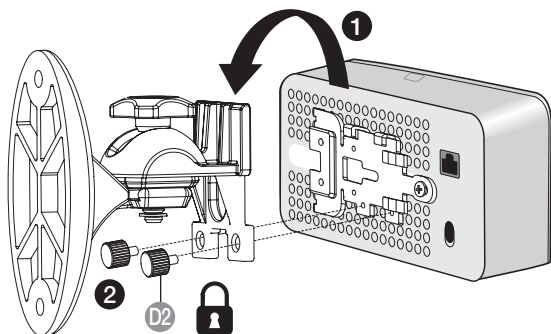
E (x 1)



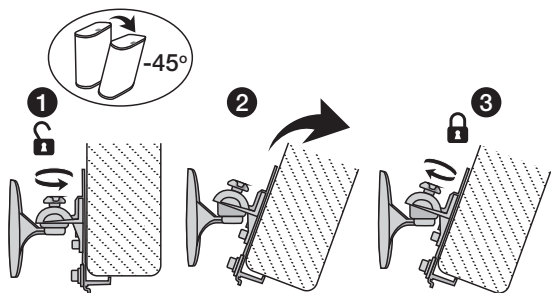
14



D2 (x 2)



15



amazonbasics

amazon.com/AmazonBasics

MADE IN CHINA
FABRIQUÉ EN CHINE
HERGESTELLT IN CHINA
PRODOTTO IN CINA
HECHO EN CHINA
GEMAAKT IN CHINA
中国製

V02-12/20