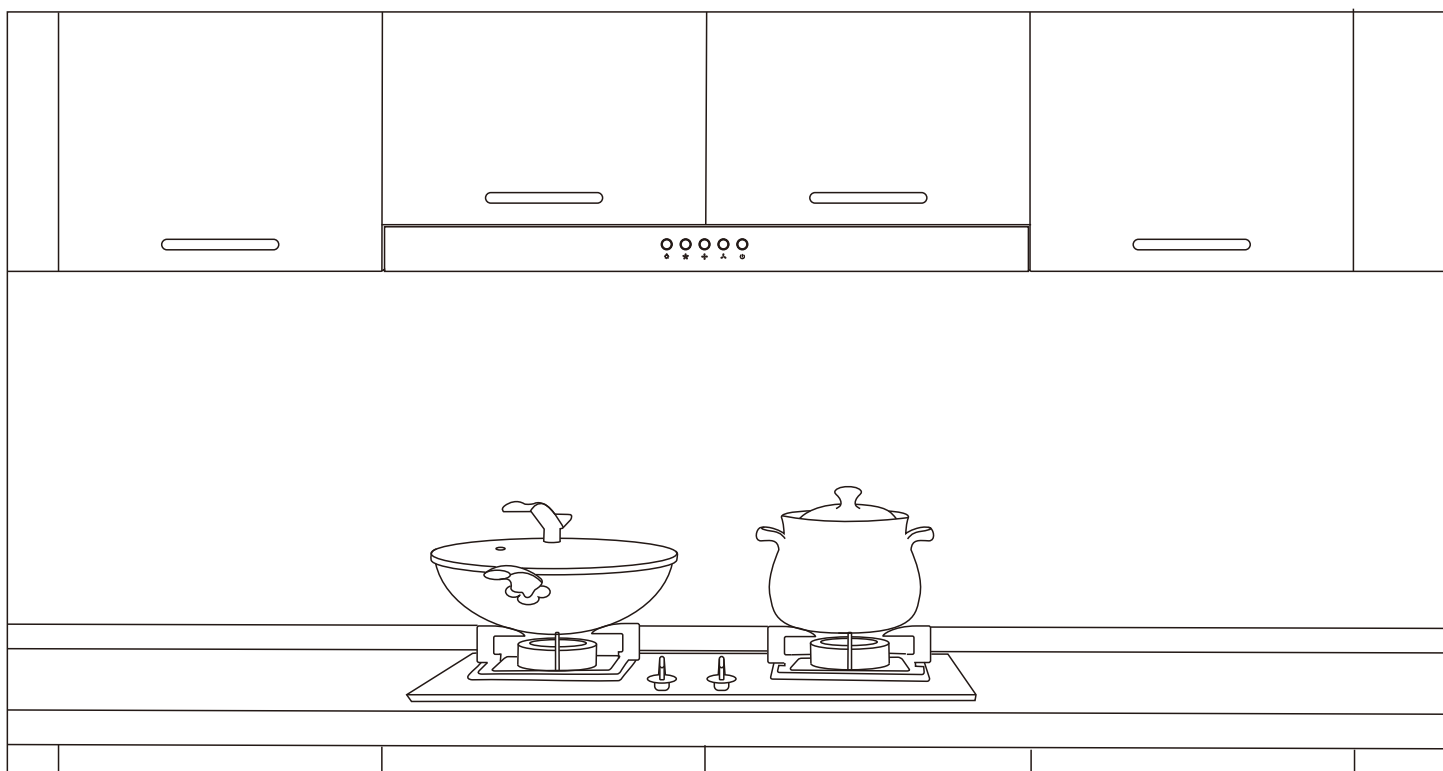


VISSANI™

Model #627T/YP11(75)
#627T/YP11(90)
#627T/YP11(75)B

USE AND CARE GUIDE

T-SHAPE WALL MOUNT RANGE HOOD



Questions, problems, missing parts? Before returning to the store,
call Vissani Customer Service
8 a.m. – 7 p.m., EST, Monday-Friday, 9 a.m. – 6 p.m., EST, Saturday

1-855-847-7264

HOMEDEPOT.COM

THANK YOU

We appreciate the trust and confidence you have placed in Vissani through the purchase of this Range Hood. We strive to continually create quality products designed to enhance your home. Visit us online to see our full line of products available for your home improvement needs. Thank you for choosing Vissani!

Table of Contents

Table of Contents	2	REAR DISCHARGE	7
Safety Information	2	CALCULATING VENT SYSTEM LENGTH	7
Safety Information Continued	3	Pre-Installation Continued	8
Warranty	4	INSTALLATION DIMENSION RECCOMEDATIONS	8
Warranty Continued	5	FOR WALL MOUNT RANGE HOODS	8
WARRANTY CLAIM PROCEDURE	5	TOOLS/MATERIALS REQUIRED (NOT SUPPLIED)	8
Pre-Installation	5	Hardware Included	9
PLANNING INSTALLATION	5	PACKAGE CONTENTS	9
Pre-Installation Continued	6	Installation	10
LOCATION REQUIREMENTS	6	Installation Continued	11
ELECTRICAL REQUIREMENTS	6	Installation Continued	12
GENERAL VENTILATION REQUIREMENTS	6	Operation	13
Pre-Installation Continued	7	Care and Maintenance	14
FOR THE MOST EFFICIENT AND QUIET OPERATION	7	Maintenance	15
COLD WEATHER INSTALLATIONS	7	LED LIGHT	15
MAKEUP AIR	7	Maintenance Continued	16
VENTING METHOD	7	FILTERS	16

Safety Information



WARNING: TO REDUCE THE RISK OF FIRE OR ELECTRIC SHOCK, DO NOT USE THIS FAN WITH ANY SOLID-STATE SPEED CONTROL DEVICE.

- Use this unit only in the manner intended by the manufacturer. If you have questions, please contact the manufacturer.
- Before servicing or cleaning the unit, switch the power off and turn power off at the electrical panel and lock the service panel. This will prevent the power from accidentally turning on. If the service panel does not lock, secure a warning label, such as a tag, to the service panel.
- Installation work and electrical wiring must be done by a qualified professional(s) in accordance with all applicable codes, standards, and fire-rated constructions.
- Do not operate any fans with a damaged cord or plug.
- Discard the fan or return to an authorized service facility for further examination and/or repair.
- To prevent back draft, sufficient air is needed for proper combustion.
- Gas from the fuel burning equipment needs to exhaust through the flue (chimney).

- Follow the heating equipment manufacturer's guideline and safety standards such as those published by the National Fire Protection Association (NFPA), the American Society for Heating, Refrigeration and Air Conditioning Engineers (ASHRAE), and the local code authorities.
- When cutting, or drilling into walls or ceilings; be aware of electrical wires, piping, and other utilities.
- Ducted fans must always be vented outdoors.



CAUTION: FOR GENERAL VENTILATION USE ONLY. DO NOT USE TO EXHAUST HAZARDOUS OR EXPLOSIVE MATERIALS AND VAPORS.



Safety Information Continued



WARNING: TO REDUCE THE RISK OF A RANGE TOP GREASE FIRE, READ THE FOLLOWING.

- Never leave surface units unattended at high settings. Boil-over can cause smoke and grease to spill over and may ignite.
- Heat oils slowly on low or medium settings.
- Always turn range hood on when cooking at high heat or when cooking food with high flames.
- Clean ventilation fans frequently. Grease should not be allowed to accumulate on the fan or filter.
- Use the proper pan size. Always use cookware and appropriate for the size of the surface element.



WARNING: To reduce the risk of injury, in the event of a range top grease fire, read the following.

- **SMOTHER FLAMES** with a close-fitting lid, cookie sheet or metal tray, then turn off the burner. **BECAREFUL TO PREVENT BURNS.** If the flames do not go out immediately. **EVACUATE AND CALL THE FIRE DEPARTMENT.**
- **NEVER PICK UP A FLAMING PAN** – you may be burned.
- **DO NOT USE WATER**, including wet dishcloths or towels – a violent steam explosion will result.
- Use an extinguisher **ONLY** if:- You know you have a class ABC extinguisher, and you know how to operate it.
- The fire is small and contained in the area where it started.
- The fire department is being called.
You can fight the fire with your back to an exit.
- Based on “Kitchen Fire Safety Tips” published by NFPA.

Warranty

This range hood is warranted to the original purchaser to be free of defect in material and workmanship for one(1) year from the date of purchase.

Our obligation shall be limited to the repair or replacement of a unit(at our discretion) that may prove, by our sole examination, to be defective under normal use and service during the warranty period. We may issue credit in the amount of the invoice value of the defective product(or a percentage of it according to use) in lieu of repair or replacement. Any failure of this product that is not traceable to a defect in material or workmanship is not covered by this warranty. These non-warrant able items include, but are not limited to:

- Damage to light bulbs
- Change in color or finish due to chemical usage
- Improper installation not in accordance with the instructions
- Dent, bumps, and scratches incurred during shipping, handling, or installation
- Damage caused by failure to follow care and cleaning guidelines, including damage caused by the use of abrasive cleaners
- Alterations made to the unit by the purchaser or installer
- Damage caused by accidental impact, fire, flood, freezing, and normal wear
- Bends and warping caused by forced connections, overtightened fittings, and inadequate support during installation

A thorough inspection must be made before installation, and any damage must be promptly reported. We will not be liable for failures or damage that could have been discovered or avoided by proper inspection and testing prior to installation.

Incidental repairs that would involve a minimum of time and effort on behalf of the purchaser will not be considered warranty work and no compensation will be deemed forthcoming.

This warranty is non-transferable and shall be voided if the unit is removed from its initial installation or if it is not installed following the instructions.

Under no circumstances shall we be held liable for personal injury or property damage resulting from improper installation or use of this product. We will not be held liable for inconvenience caused by loss of use of this product, costs incurred for labor or materials, removal, and installation of replacements units, or any other incidental or consequential damages. Costs relating to obtaining access for repair or replacement are the responsibility of the user.

This warranty does not extend to commercial and institutional installation or use.



Warranty Continued

WARRANTY CLAMP PROCEDURE

If a claimable defect occurs, please contact our customer service team at 1-855-847-7264(8:30-4:30pm) EST Monday-Friday. Before you make your claim call, please ensure that you have:

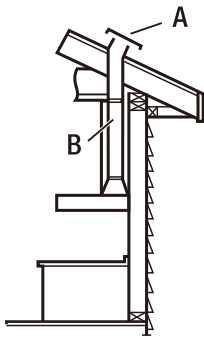
- Description of the range hood
- Proof of sale
- Details regarding the defect
- Name(s) and address(es) of the owner and installer

Claims must be filed out in writing and returned six (6) months of the appearance of a defect . Failure to comply with this stipulation will make this warranty null and void. We reserve the right to a thirty (30) day delay following the receipt of a claim in which to inspect the product. We assume no responsibility for labor costs, removing or replacing a previously installed product, transportation, or the return of a product.

Pre-Installation

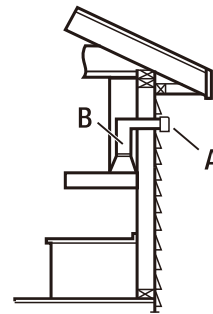
PLANNING INSTALLATION

- Unpack range hood and ensure all listed parts are in the box.
- It is recommended for the vent system to be installed before hood is installed.
- Before making cutouts, make sure there is proper clearance within the ceiling or walls for the exhaust vent.
- Some models may have foam protecting the motor, please remove, and discard this foam.
- Some models may have a protective blue film on the filters , please remove and discard this film.
- Determine which venting method to use roof or wall.
- It is recommended that a professional installer perform the range hood installation.



Roof venting

- A. Roof cap
- B. 6 in. (15.2cm)round vent



Wall venting

- A.Wall cap
- B. 6 in. (15.2cm)round vent

Pre-Installation Continued

LOCATION REQUIREMENTS

- Have a qualified technician install the range hood.
- It is the installer's responsibility to comply with installation clearances specified on the model/serial rating plate.
- Canopy hood's location should be away from strong draft areas, such as windows, doors, and strong heating vents.
- Cabinet opening dimensions that are shown must be used.



IMPORTANT: Observe all governing codes and ordinances.

ELECTRICAL REQUIREMENTS

Observe all governing codes and ordinances. Ensure that the electrical installation is adequate and in conformance with the National Electrical Codes, ANSI/NFPA 70 (latest edition), or CSA Standards C22.1-94, Canadian Electrical Code, Part 1 and C22.2 No. 0-M91 (latest edition), all local codes, and ordinances. If codes permit and a separate ground wire is used, it is recommended that a qualified electrician determine that the ground path is adequate.

A copy of the above code standards can be obtained from:

1 Batterymarch Park
Quincy, MA 02169-7471
CSA International
8501 East Pleasant Valley Road
Cleveland, OH 44131-5575

- 120 volt, 60 Hz, AC only.
- If the house has aluminum wiring, follow the procedure below:
 - Connect a section of solid copper wire to the pigtail leads.
 - Connect the aluminum wiring to the copper wire using special connectors and/or tools designed and UL listed for joining copper to aluminum. Follow the manufacturer's recommended procedure for the electrical connector. Aluminum/copper connection must conform to local codes and industry accepted wiring practice.
- Wire sizes and connections must conform to the rating of the appliance as specified on the model/serial rating plate.
- The model/serial plate is located behind the filter on the rear wall of the range hood.
- Wire sizes must conform to the requirements of the National Electrical Code, ANSI/NFPA 70 (latest edition), or CSA Standards C22.1-94, Canadian Electrical Code, Part 1 and C22.2 No. 0-M91 (latest edition) and all local codes and ordinances.

GENERAL VENTILATION REQUIREMENTS

- Range hoods must be ventilated to the outdoors, except for non-vented (recirculating) installations.
- Do not ventilate the range hood into an attic or other enclosed areas.
- Do not use 4 in. (10.2 cm) laundry-type wall caps.
- The length of the range hood and the number of elbows should be kept to a minimum to provide maximum performance.



Pre-Installation Continued

FOR THE MOST EFFICIENT AND QUIET OPERATION

- Use no more than three 90-degree elbows.
- Make sure there is a minimum of 24 in. (61 cm) of straight duct between the elbows if more than one elbow is used.
- Do not install two elbows together.
- Use clamps and tape to seal all joints in the vent system.
- The vent system must have a damper. If the roof or wall cap has a damper, do not use the damper supplied with the range hood.
- Use caulking to seal exterior walls or roof openings around the cap.
- The size of the vents should be uniform.

COLD WEATHER INSTALLATIONS

- An additional back draft damper should be installed to minimize backward cold air flow.
- A thermal break should be installed to minimize conduction.
- Do not install two elbows together.
- Use clamps and tape to seal all joints in the vent system.
- The vent system must have a damper. If the roof or wall cap has a damper, do not use the damper supplied with the range hood.
- Use caulking to seal exterior walls or roof openings around the cap.
- The size of the vents should be uniform.

MAKEUP AIR

Local building codes may require the use of makeup air systems when using ventilation systems greater than specified CFM of air movement. The specified CFM varies from state to state. Consult your HVAC professional for specific requirements in your area.

VENTING METHOD

To vent through a wall, a 90-degree elbow is needed. If flat ducting or exhaust ducting with a diameter of less than 5.91 in. (150 mm) is used, the noise level of the range hood could increase, and extraction will be less efficient.

REAR DISCHARGE

A 90-degree elbow may be installed immediately above the hood.

CALCULATING VENT SYSTEM LENGTH

To calculate the length of the system you need, add the equivalent feet (meters) for all vent pieces used in the system.

Pre-Installation Continued

INSTALLATION DIMENSION RECOMMENDATIONS

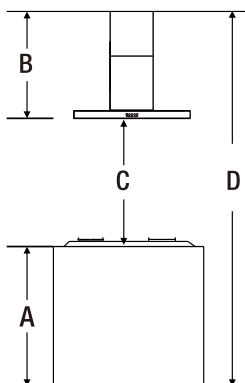
FOR WALL MOUNT RANGE HOODS

A = Countertop Height.




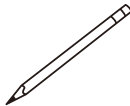

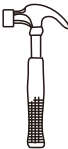






B = Hood height from ceiling to bottom of the range hood filter surface: $D - A - C = B$.

C = 24 in. minimum from cooking surface up to 36 in. maximum for Electric/Induction range tops. 26 in. minimum from cooking surface up to 36 in. maximum for Gas ranges tops.

D = Floor to ceiling height.



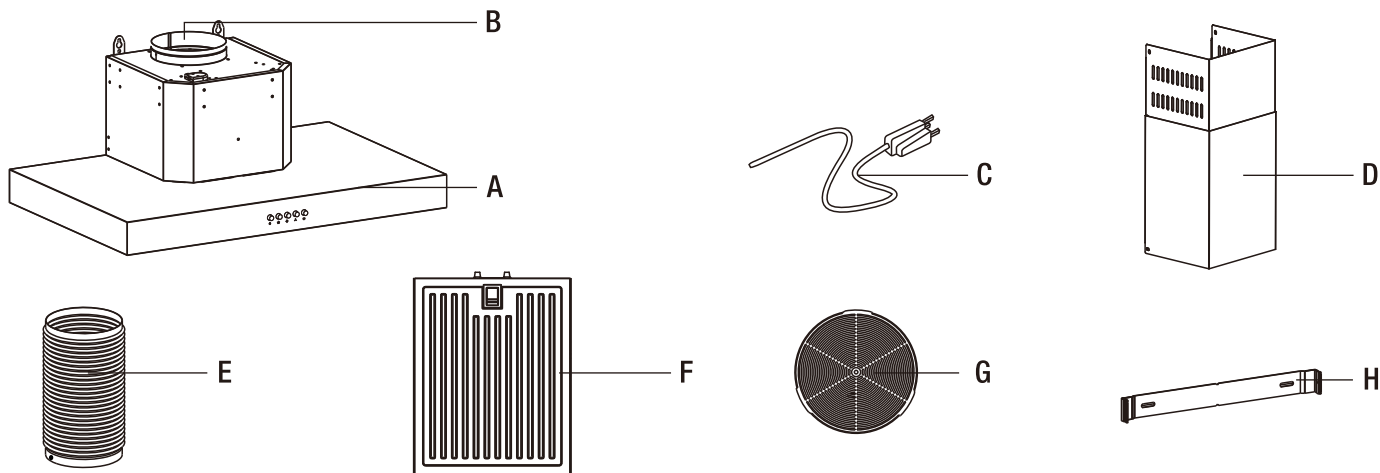
TOOLS/MATERIALS REQUIRED (NOT SUPPLIED)

			
Measuring tape	Level	Safety goggles	Pencil
			
Duct Tape	Hammer	Philips Screwdriver	Utility knife
			
Flat head screwdriver	Electric drill	Safety gloves	Needle nose pliers

- Duct work
- Electrical wire connectors

Hardware Included

PACKAGE CONTENTS



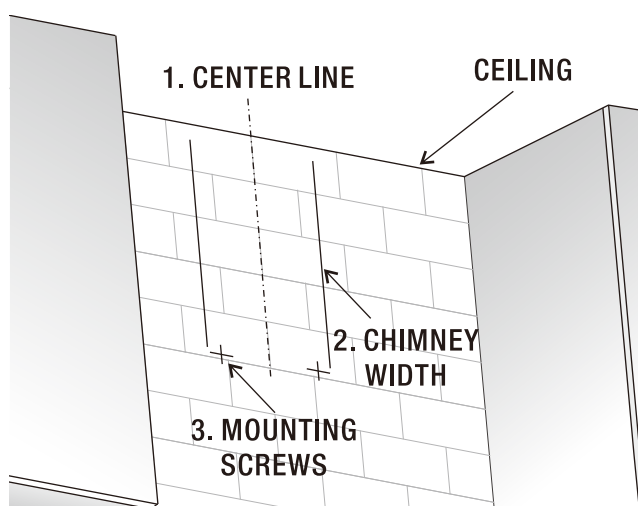
			#6X3/8 SM screw (DD)"/>	#10 X 3/4 Tapping screw (EE)"/>	#8X3/8 Machine screw (FF)"/>		#8X3/8 Flathead machine screw (GG)"/>
AA	BB	CC	DD	EE	FF		GG

Part No.	Parts	Quantity
A	Range Hood	1
B	6-in. round air vent	1
C	Power cord	1
D	Stainless-Steel Ducts (inner and outer)	2
E	6-in. round flexible duct exhaust hose	1
F	Baffle Filters	3
G	Charcoal filters	2
H	Duct bracket	1
AA	Drywall Anchor	2
BB	1-3/16 drywall anchor screw	2
CC	#8 X 1/2" Pan Head Wood Screw	2
DD	#6X3/8 SM screw	2
EE	#10 X 3/4 Tapping screw	2
FF	#8X3/8 Machine screw	2
	Rubber feet	2
GG	#8X3/8 Flathead machine screw	2

Installation

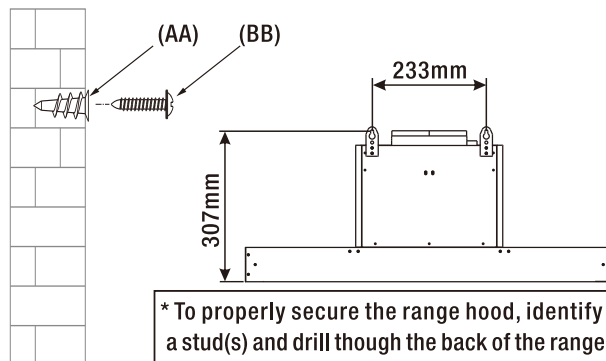
1 Marking Wall with Mounting Points

- This installation is for mounting the product to a wall. Ensure your wall has the proper support to hold the range hood weight.
- These instructions are general guidelines, please consult your installation specialist regarding the best type of mounting hardware and support system based on your wall construction.
- All wall mounted range hoods, if possible, should be installed and supported by studs behind the wall (hardware not included) . In the event studs are not in alignment with the wall mount mounting plate holes, a wooden cross support sytesm may need to be retrofitted to your existing studs. All homes are different and installations will vary.
- Begin installation by removing the filters (F) and removing any tape on the air flow flappers (B).
- Remove protective film from range hood and ducting. When handling the ducting, please wear protective gloves to avoid sharp edges.
- Find the center of the wall where you are installing the hood. Mark your center line to the ceiling and measure out from the center to find your two mounting points. The two mounting holes will be found on the back of the range hood. Make sure your mounting points are level when you mark them.



2 Inserting Drywall Anchors

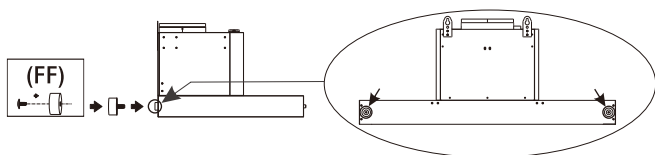
- Mark your mounting points and install the drywall anchors (AA) turning until they are flush to the wall, Do not overturn.
- Screw the two 1-3/16 drywall anchor screw (BB) into the drywall anchor (AA) leaving the heads out ¼ in. to mount the hood.



* To properly secure the range hood, identify a stud(s) and drill through the back of the range hood at stud location and secure with a wood screw(s) (not included).

3 Inserting Rubber Feet

- If the range hood is mounted parallel to the wall, the rubber feet and # 8X3/8 machine screw (FF) are not required. If it is not parallel, you can use the rubber feet . Put # 8X3/8 machine screw into the convex surface of the rubber feet and hit them back of the range hood.

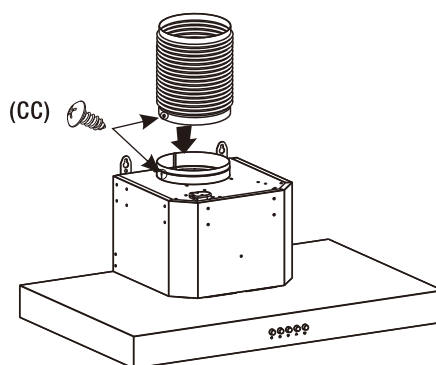


4 Assembling Outside Ducting Ventilation

- Assemble ventilation to outside ducting. Install 6 in. round flexible duct exhaust hose (E) to round vent air flap (B) (attached to range hood on top of unit) and secure with duct tape.
- Finish screwing the two #8x1/2 pan head wood screw(CC).

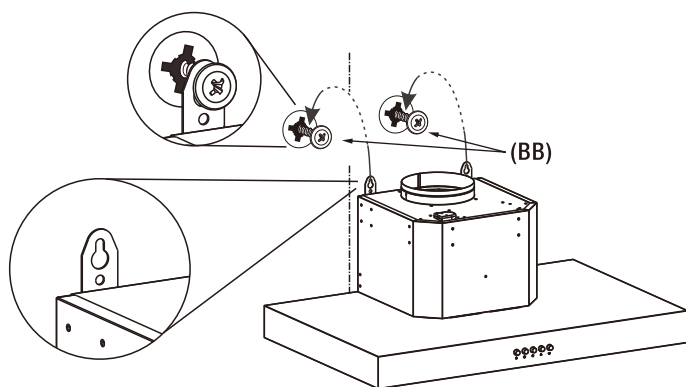


NOTE: If you are choosing the ductless/recirculating mode, do not install the 6 in. round flexible duct exhaust hose (E).



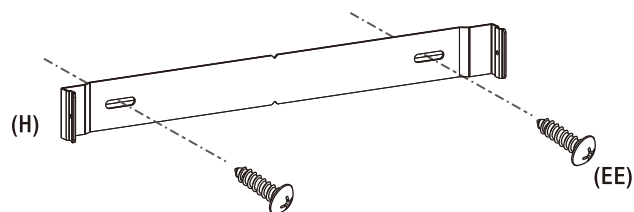
5 Positioning the Range Hood

- Temporarily position the range hood in the desired mounting location on the wall (this will require 2 people).



6 Attaching the Duct Bracket

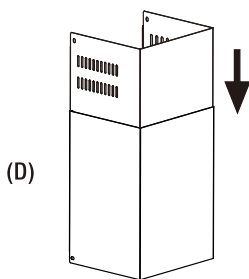
- Make sure the range hood is level. Finish screwing the two 1-3/16 drywall anchor screw (BB). Do not overtighten.
- Center the duct bracket (H) at the top of the ceiling and insert two #10 X 3/4 tapping screws (EE) into the horizontal holes and attach to the wall.



Installation(continued)

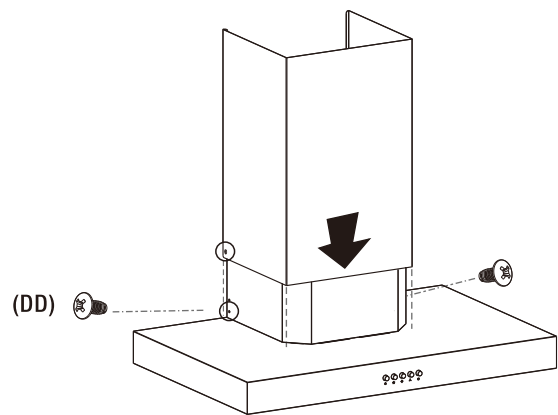
7 Powering the Hood

- Power the hood by connecting the three-pronged plug into a nearby electrical outlet.
- The Model is confined one duct bracket (H), place two pieces of stainless-steel ducts (D) on top of the range hood, making sure the vent in the upper section is towards the top and the upper section slides inside the lower section in a telescoping fashion, note the grooves on the inside of the duct work to help guide and secure. Lower the top duct into the bottom duct.



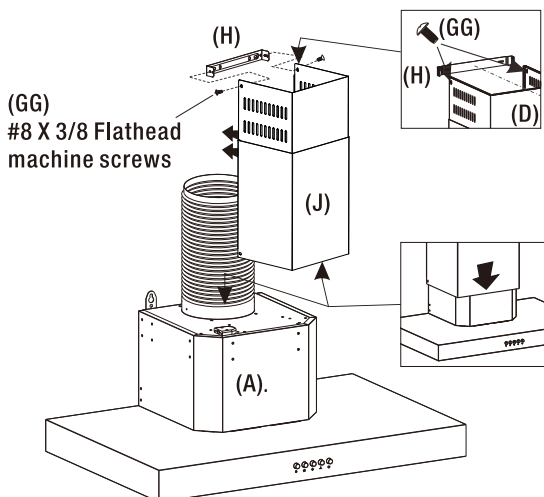
8 Hood and Duct Connection

- Place the two pieces of stainless-steel ducts (D) on top of the range hood.
- Insert the bottom section of the duct (D) to the top of the range hood and insert two #6 X 3/8 SM screws (DD) through the outer panel of the duct to the holes aligned on the range hood and tighten.



9 Completing the Installation

- Once the bottom duct is secured, slowly slide the top duct towards the ceiling.
- Attach two 8 X 3/8 Flat head machine screws (GG) from the outside of the ducting to the bracket installed.



10 Installatin for Ductless (recirculating) Mode

- Turn on unit and proceed to operating instruction.



NOTE: If you are choosing the ductless/recirculating mode, do not install the 6 in. round flexible duct exhaust hose (E).

- Install baffle filters (F) back to the range hood.
- Unplug the power cord.
- Remove the three baffle filters (F) located at the bottom of the range hood.
- Locate the motorized fan inside the hood.
- Attach the two charcoal filters (G) to both sides of the motorized fan.
- Twist the charcoal filter until it is in the locked position (separate instructions included with filters).
- Reinstall the three baffle filters (F), and reconnect the power.

1 POWERING ON/OFF THE UNIT

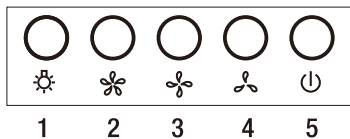


NOTE: There are different operating instructions based on the control panel for your model. Please choose the operating instruction for your unit.

- To turn the fan on push a button to select one of the 3 speeds:
 - 2=High
 - 3=Medium
 - 4=Low
- If you choose a new speed by pressing a different button, the new fan speed will replace the old fan speed.
- To turn fan off push button 5.
- To operate light on/off push button 1.



NOTE: The fan and light operate independently of each other.



Care and Maintenance

EXTERIOR SURFACES

To avoid damage to the exterior surface, do not use steel wool or soap filled scouring pads. Always wipe dry to avoid water marks.

CLEANING METHOD

Use liquid mild-detergent soap and water, do not use hard abrasive cleaners. Wipe with damp soft cloth or non-abrasive sponge, then rinse with clean water and wipe dry.

DO'S

- Clean your range hood using a non-abrasive cloth or sponge and liquid detergent.
- Always wipe in the direction of the grain pattern.
- After cleaning, rinse with water.
- Make sure range hood is dry after cleaning.

DON'TS

- Do not use steel wool or like products as this will cause scratching and iron residue that could lead to rusting and corrosion.
- Do not wipe against the grain pattern as this will impact the original finish.
- Do not use chlorine bleach.

GREASE/BAFFLE FILTER

- Remove the filter by pulling the spring release handle and then pulling down the filter.
- Wash filters as needed in dishwasher or hot detergent solution (low temperature, short cycle).
- If your model has a grease tray, please remove, drain and clean periodically.
- Make sure filters are completely dry before putting back into range hood.
- Reinstall the filter by making sure the spring release handles are toward the front. Insert filter into upper track.
- Push the spring release handle.
- Push on filter and release handle to latch into place.

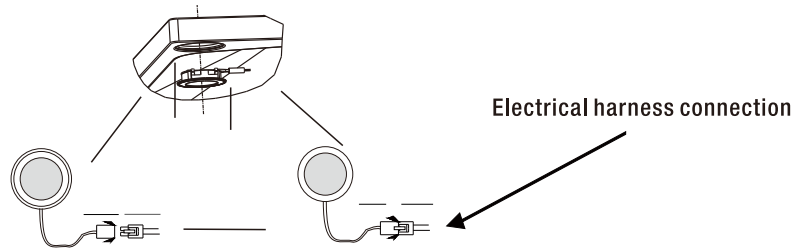


Maintenance

LED LIGHT

Before replacing the LED light:

- Turn off the range hood and allow the LED light to cool.
- To avoid damage or decreasing the life of the new bulb, do not touch bulb with bare fingers. Replace the bulb by wearing cotton gloves to handle the bulb.
- If the new LED light does not operate, make sure the lamps are inserted correctly before, calling for support.
- Replacement lights can be purchased. The light model for your unit will be listed on a label on the underside of the range hood.



TO REPLACE THE LED LIGHT:

- Disconnect the power cord to ensure unit does not turn on.
- Remove filters.
- Reach behind the light and push towards you until the light pops out.
- Disconnect the electrical harness.
- Attach new bulbs to the electrical harness.
- Snap bulbs back into unit and replace filters.
- Reconnect the power cord.

Maintenance(continued)

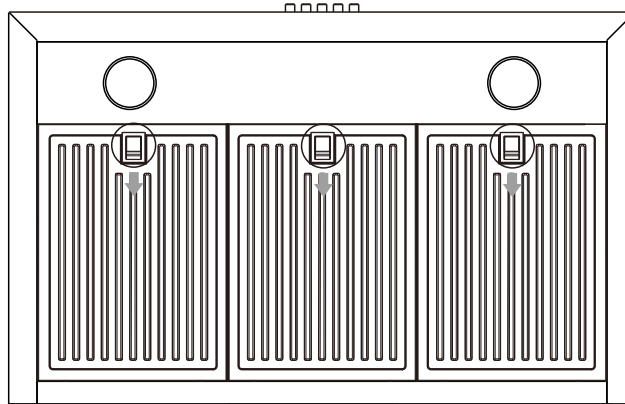
FILTERS



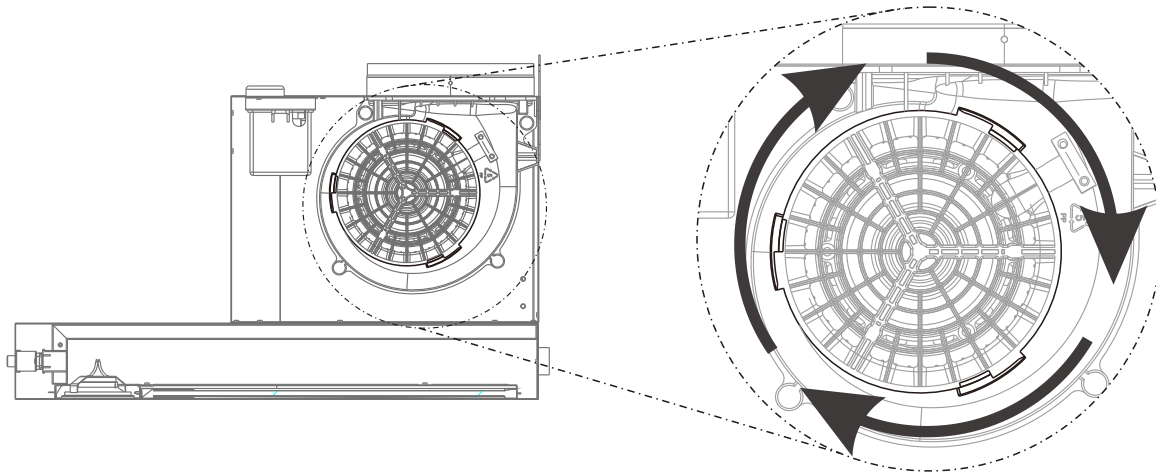
IMPORTANT: It is recommended to replace the filters every 6 months.

Please ensure power for range hood unit is turned off.

1. Remove the filters from the bottom of the range hood.

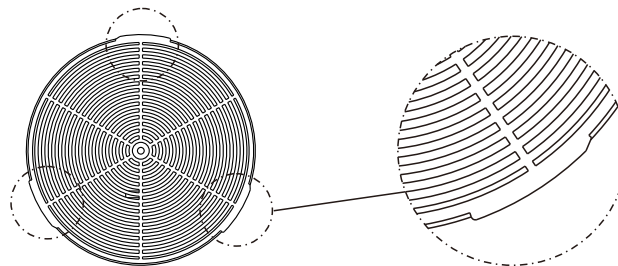


2. Place the charcoal filter on the side of the motor housing. There will be three tabs on the motor housing that need to align to the filter connection tabs.



3. Rotate the filter in a clockwise direction and ensure that the filter connection tabs lock into the three tabs on the motor assembly.

Repeat to attach the second charcoal filter.



4. Replace the filters to the bottom of the range hood.

VISSANI™

¿Tiene alguna pregunta, problema, o le falta una pieza? Antes de volver a la tienda,
llame al servicio de atención al cliente de Vissani
8 a.m.-7 p.m., ET, de lunes a viernes, 9 a.m.-6 p.m., ET, sábado

1-855-847-7264

HOMEDEPOT.COM

Guarde este manual para referencias futuras.

HOMEDEPOT.COM

Contáctenos al 1-855-847-7264 para obtener más ayuda.

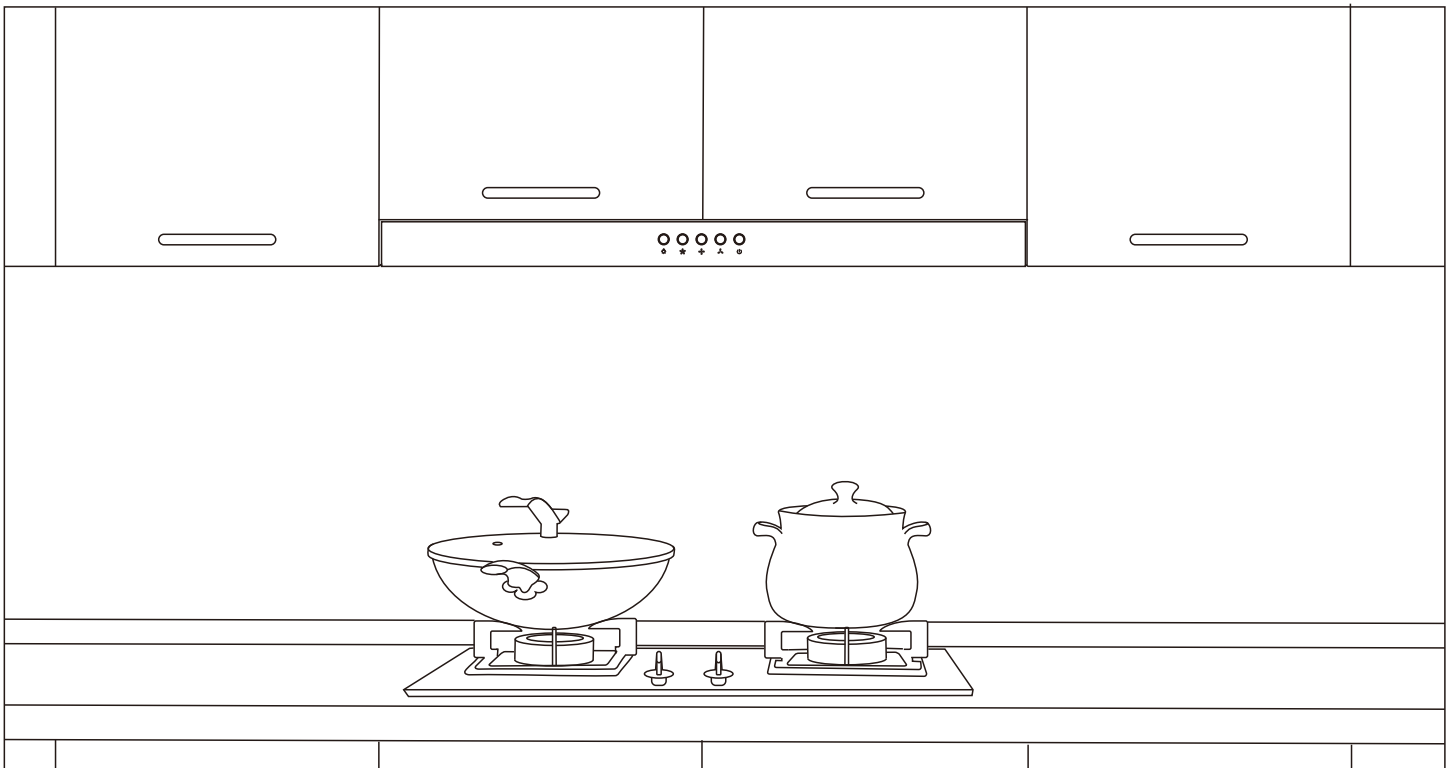


VISSANI™

Model #627T/YP11(75)
#627T/YP11(90)
#627T/YP11(75)B

GUÍA DE USO Y CUIDADO

CAMPANA EXTRACTORA DE PARED EN FORMA DE T



¿Tiene alguna pregunta, problema, o le falta una pieza? Antes de volver a la tienda,
llame al servicio de atención al cliente de Vissani
8 a.m.-7 p.m., ET, de lunes a viernes, 9 a.m.-6 p.m., ET, sábado

1-855-847-7264

HOMEDEPOT.COM

GRACIAS

Gracias por comprar esta campana extractora y depositar su confianza en Vissani. Siempre nos esforzamos en crear productos de calidad especialmente diseñados para mejorar su hogar. Visítenos en internet para ver nuestra línea completa de productos para encontrar esas mejoras que necesita para su hogar.

¡Gracias por elegir Vissani!

Tabla de contenidos

Tabla de contenidos	2	DESCARGA TRASERA	7
Información de seguridad	2	CÁLCULO DE LA LONGITUD DEL SISTEMA DE VENTILACIÓN ...	7
Continuación de la información de seguridad	3	Continuación de la instalación preparativa	8
Garantía	4	RECOMENDACIONES SOBRE LAS DIMENSIONES DE LA INSTALACIÓN	8
Continuación de la garantía	5	PARA CAMPANAS EXTRACTORAS DE PARED	8
PROCEDIMIENTO DE RECLAMO DE LA GARANTÍA	5	HERRAMIENTAS/MATERIALES NECESARIOS (NO SUMINISTRADOS) ...	8
Instalación preparativa	5	Hardware Incluido	9
PLANIFICACIÓN DE LA INSTALACIÓN	5	CONTENIDO DEL PAQUETE	9
Continuación de la instalación preparativa	6	Instalación	10
REQUISITOS DE UBICACIÓN	6	Instalación (continuación)	11
REQUISITOS ELÉCTRICOS	6	Instalación (continuación)	12
REQUISITOS GENERALES DE VENTILACIÓN	6	Funcionamiento	13
Continuación de la instalación preparativa	7	Cuidado y mantenimiento	14
PARA UN FUNCIONAMIENTO MÁS EFICIENTE Y SILENCIOSO ...	7	Mantenimiento	15
INSTALACIONES EN TIEMPO FRÍO	7	LUZ LED	15
AIRE DE REPOSICIÓN	7	Continuación Del Mantenimiento	16
MÉTODO DE VENTILACIÓN	7	FILTROS	16

Información de seguridad



ADVERTENCIA: Para reducir el riesgo de incendio o descarga eléctrica, no utilice este ventilador con ningún dispositivo de control de velocidad de estado sólido.

- Utilice este aparato sólo de la manera prevista por el fabricante. Si tiene alguna duda, póngase en contacto con el fabricante.
- Antes de realizar el mantenimiento o la limpieza de la unidad, desconecte la alimentación en el panel eléctrico y bloquee el panel de servicio. Esto evitará que se encienda por accidente. Si no puede cerrar el panel de servicio, coloque una etiqueta de advertencia, como como un letrero, en el panel de servicio.
- Los trabajos de instalación y el cableado eléctrico deben ser realizados por un profesional calificado de acuerdo con todos los códigos, normas y construcciones con resistencia al fuego.
- No haga funcionar ningún ventilador si su cable o enchufe está dañado.
- Descarte el ventilador o llévelo a un servicio técnico autorizado para que lo examinen y/o reparen.
- Para evitar un backdraft, se necesita suficiente aire para que la combustión sea adecuada.
- El gas del equipo de combustión debe salir por el conducto de humos (chimenea).

- Siga las directrices del fabricante del equipo de calefacción y las normas de seguridad, como las publicadas por la Asociación Nacional de Protección contra el Fuego (NFPA), la Sociedad Americana de Ingenieros de Calefacción, Refrigeración y Acondicionadores de Aire (ASHRAE) y las autoridades de los códigos locales.
- Cuando corte o perforo en paredes o techos, tenga en cuenta los cables eléctricos, las tuberías y otros servicios existentes.
- Los ventiladores con conductos siempre deben ser ventilados al aire libre.



PRECAUCIÓN: Sólo para uso en ventilaciones generales. No lo utilice para extraer materiales y vapores peligrosos o explosivos.

Continuación de la información de seguridad



ADVERTENCIA: Para reducir el riesgo de incendio de la grasa de la placa de cocina, lea lo siguiente.

- No deje nunca las unidades en la superficie si prestarle atención cuando el nivel sea alto.
- La ebullición puede hacer que el humo y la grasa se derramen y que se produzca un incendio.
- Caliente los aceites lentamente con un nivel bajo o medio.
- Encienda siempre la campana extractora cuando cocine con temperaturas altas o cuando cocine alimentos con llamas altas.
- Limpie los ventiladores con frecuencia. No se debe permitir que la grasa se acumule en el ventilador o en el filtro.
- Utilice un tamaño de olla adecuado. Utilice siempre utensilios de cocina apropiados según el tamaño de la superficie del elemento.



ADVERTENCIA: Para reducir el riesgo de lesiones en caso de incendio de la grasa de la placa de cocina, lea lo siguiente.

- **APAGUE LAS LLAMAS** con una tapa de tamaño correcto, una bandeja para galletas o una bandeja metálica, y luego apague el quemador. **TENGA CUIDADO PARA EVITAR QUEMADURAS.** Si las llamas no se apagan de inmediato **EVACÚE Y LLAME A LOS BOMBEROS.**
- No recoja nunca una sartén en llamas, puede quemarse.
- **NO UTILICE AGUA,** ni paños de cocina o toallas mojadas: esto producirá una violenta explosión de vapor.
- Utilice un extintor **SÓLO** si: Sabe que tiene un extintor de clase ABC y sabe cómo manejarlo.
- Utilice el extintor si el fuego es pequeño y está contenido en el área donde se inició.
- Llame a los bomberos. Combata el fuego de espaldas a una salida.
- Basado en "Kitchen Fire Safety Tips" publicado por la NFPA.

Garantía

El comprador original de esta campana extractora tiene una garantía libre de defectos de materiales y mano de obra durante un (1) año a partir de la fecha de compra.

Nuestra obligación se limitará a la reparación o cambio de la unidad (a nuestra discreción) seguida bajo nuestra inspección, en la cual determinaremos la existencia de defectos, siempre y cuando se haya usado el equipo en condiciones normales de uso, y se haya el servicio durante el período de garantía. Podremos emitir un crédito por el importe del valor de la factura del producto defectuoso (o un porcentaje del mismo según el uso) en lugar de la reparación o cambio. Cualquier fallo de este producto que no sea atribuible a un defecto de material o de fabricación no está cubierto por esta garantía. Las situaciones no cubiertas por la garantía incluyen, entre otros, lo siguiente:

- Daños en las bombillas
- Cambio en el color o el acabado debido al uso de productos químicos
- Instalación incorrecta que no respeta las instrucciones dadas
- Abolladuras, golpes y arañazos producidos durante el envío, la manipulación o la instalación
- Daños causados por no seguir las pautas de cuidado y limpieza, lo que incluye los daños causados por el uso de limpiadores abrasivos
- Alteraciones realizadas en la unidad por el comprador o el instalador
- Daños causados por impactos accidentales, incendios, inundaciones, congelación y el desgaste normal
- Dobladuras y deformaciones causados por conexiones forzadas, accesorios demasiado apretados y uso de soporte inadecuado durante la instalación

Antes de la instalación, se debe realizar una inspección exhaustiva y notificar de inmediato cualquier daño. No seremos responsables de los fallos o daños que podrían haberse descubierto o evitado mediante una inspección y pruebas adecuadas antes de la instalación.

Las reparaciones con un mínimo de tiempo y esfuerzo por parte del comprador no se considerarán para la garantía, y no habrá ninguna compensación.

Esta garantía no es transferible y quedará anulada si la unidad se retira de su instalación inicial o si no se instala siguiendo las instrucciones.

En ningún caso seremos responsables de los daños personales o materiales que se produzcan como consecuencia de una instalación o uso inadecuado de este producto. No nos hacemos responsables de los inconvenientes causados por dejar de usar este producto, los costes de mano de obra o materiales, la retirada y la instalación de unidades de cambio, ni de cualquier otro daño incidental o consecuente. Los costes relacionados al acceso a la reparación o cambio son responsabilidad del usuario.

Esta garantía no se emite a instalaciones comerciales ni institucionales.



Continuación de la garantía

PROCEDIMIENTO DE RECLAMO DE LA GARANTÍA

Si sufre algún defecto, póngase en contacto con nuestro equipo de atención al cliente llamando al 1-855-847-7264, de 8:30 a 4:30 pm ET, de lunes a viernes. Antes de realizar la llamada, asegúrese de tener:

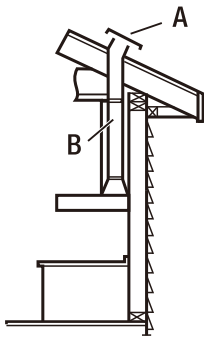
- La descripción de la campana extractora
- Alguna prueba de venta
- Los detalles sobre el defecto
- El nombre y dirección del propietario y del instalador

Los reclamos deben rellenarse por escrito y devolverse en un plazo de seis (6) meses desde la aparición del defecto. El incumplimiento de esta estipulación hará que esta garantía quede anulada. Nos reservamos el derecho a un plazo de treinta (30) días, luego de la recepción del reclamo, para inspeccionar el producto. No asumimos ninguna responsabilidad por los costes de mano de obra, la retirada o cambio de un producto previamente instalado, el transporte o la devolución de un producto.

Instalación preparativa

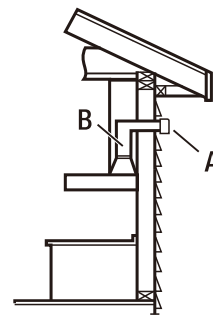
PLANIFICACIÓN DE LA INSTALACIÓN

- Desembale la campana extractora y asegúrese de que todas las piezas enumeradas están en la caja.
- Se recomienda instalar el sistema de ventilación antes de instalar la campana.
- Antes de hacer los recortes, asegúrese de que haya un espacio libre adecuado en el techo o en las paredes para la ventilación del escape.
- Algunos modelos pueden tener espuma que protege el motor. Retire y descarte esta espuma.
- Algunos modelos pueden tener una lámina azul protectora en los filtros. Por favor, retire y descarte esta lámina.
- Elija el método de ventilación utilizar, si el techo o la pared.
- Se recomienda que un instalador profesional realice la instalación de la campana extractora.



Ventilación en el techo

- A. Tapa del techo
- B. Ventilación redonda de 15,2 cm (6 pulgadas)



Ventilación de pared

- A. Tapa de pared
- B. Ventilación redonda de 15,2 cm (6 pulgadas)

Continuación de la instalación preparativa

REQUISITOS DE UBICACIÓN

- Asegúrese de que la campana extractora sea instalada por un técnico calificado.
- Es responsabilidad del instalador cumplir con las distancias de instalación especificadas en la placa de características del modelo/serie.
- La campana extractora debe estar alejada de zonas con fuertes corrientes de aire, como ventanas, puertas y rejillas de calefacción.
- Deben utilizarse las dimensiones de apertura de la alacena mostradas.



IMPORTANTE: Respete todos los códigos y ordenanzas vigentes.

REQUISITOS ELÉCTRICOS

Respete todos los códigos y ordenanzas vigentes . Asegúrese de que la instalación eléctrica sea adecuada y respete los Códigos Eléctricos Nacionales , ANSI/NFPA 70 (última edición) , o las normas CSA C22.1-94 , Código Eléctrico Canadiense , Parte 1 y C22.2 No.0-M91(última edición) , todos los códigos y ordenanzas locales . Si los códigos lo permiten , y se utiliza un cable de tierra separado, se recomienda que un electricista calificado determine que la trayectoria de la puesta a tierra sea la adecuada.

Se puede obtener una copia de las normas de los códigos anteriores en

1 Batterymarch Park
Quincy, MA 02169-7471
CSA International
8501 East Pleasant Valley Road
Cleveland, OH 44131-5575

- Sólo 120 V, 60 Hz, CA.
- Si su hogar tiene un cableado de aluminio, siga el procedimiento a continuación:
 - Conecte una sección de cable de cobre sólido a los conectores del cable.
 - Conecte el cableado de aluminio al cable de cobre utilizando conectores y/o herramientas especiales, y con certificación UL, para unir el cobre con el aluminio. Siga el procedimiento recomendado por el fabricante del conector eléctrico. La conexión de aluminio/cobre debe cumplir con los códigos locales y las prácticas de cableado aceptadas por la industria.
- Los tamaños de los cables y las conexiones deben respetar la clasificación del aparato tal como se especifica en la placa de clasificación del modelo/serie.
- La placa de modelo/serie se encuentra detrás del filtro en la pared posterior de la campana extractora.
- Los tamaños de los cables deben cumplir con los requisitos del Código Eléctrico Nacional, ANSI/NFPA 70 (última edición), o las normas CSA C22.1-94, Código Eléctrico Canadiense, Parte 1 y C22.2 No.0-M91 (última edición) y todos los códigos y ordenanzas locales.

REQUISITOS GENERALES DE VENTILACIÓN

- Las campanas extractoras deben tener una ventilación hacia el exterior, excepto en las instalaciones sin ventilación (recirculación).
- No dirija la ventilación de la campana extractora hacia un ático u otras áreas cerradas.
- No utilice tapas de pared de 4 in (10,2 cm).
- La longitud de la campana extractora y el número de codos deben mantenerse al mínimo para proporcionar el máximo rendimiento.

Continuación de la instalación preparativa

PARA UN FUNCIONAMIENTO MÁS EFICIENTE Y SILENCIOSO

- No utilice más de tres codos de 90 grados.
- Asegúrese de que haya un mínimo de 24 in (61 cm) de conducto recto entre los codos si se utiliza más de un codo.
- No instale dos codos juntos.
- Utilice abrazaderas y cinta adhesiva para sellar todas las juntas del sistema de ventilación.
- El sistema de ventilación debe tener una compuerta. Si la tapa del techo o de la pared tiene una compuerta, no utilice la compuerta suministrada con la campana extractora.
- Utilice sellador para sellar las paredes exteriores o las aberturas del techo alrededor de la tapa.
- El tamaño de las ventilaciones debe ser uniforme.

INSTALACIONES EN TIEMPO FRÍO

- Debe instalarse una compuerta de backdraft adicional para minimizar el flujo entrante de aire frío.
- Debe instalarse una rotura de puente térmico para minimizar la conducción.
- No instale dos codos juntos.
- Utilice abrazaderas y cinta adhesiva para sellar todas las juntas del sistema de ventilación.
- El sistema de ventilación debe tener una compuerta. Si la tapa del techo o de la pared tiene una compuerta, no utilice la compuerta suministrada con la campana extractora.
- Utilice sellador para sellar las paredes exteriores o las aberturas del techo alrededor de la tapa.
- El tamaño de las ventilaciones debe ser uniforme.

AIRE DE REPOSICIÓN

Los códigos de construcción locales pueden exigir el uso de sistemas de aire de reposición cuando se utilicen sistemas de ventilación con un movimiento de aire superior a los CFM especificados. Los CFM especificados varían de un estado a otro. Consulte a su profesional de HVAC para conocer los requisitos específicos de su zona.

MÉTODO DE VENTILACIÓN

Para ventilar a través de una pared, se necesita un codo de 90 grados. Si se utilizan conductos planos o conductos de extracción con un diámetro inferior a 5,91 pulgadas (150 mm), el nivel de ruido de la campana extractora podría aumentar y la extracción perderá eficiencia.

DESCARGA TRASERA

Se puede instalar un codo de 90 grados de justo por encima de la campana.

CÁLCULO DE LA LONGITUD DEL SISTEMA DE VENTILACIÓN

Para calcular la longitud del sistema que necesita, sume los pies (metros) equivalentes de todas las piezas de ventilación utilizadas en el sistema.

Continuación de la instalación preparativa

RECOMENDACIONES SOBRE LAS DIMENSIONES DE LA INSTALACIÓN

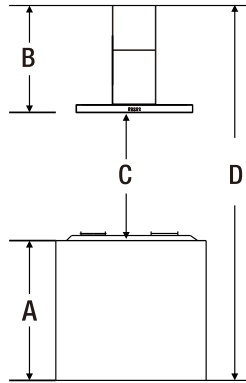
PARA CAMPANAS EXTRACTORAS DE PARED

A = Altura de la placa de cocina.

B = Altura de la campana desde el techo hasta la parte inferior de la superficie del filtro de la campana extractora: $D - A = B$.

C = 24" como mínimo desde la superficie de cocción hasta 36" como máximo para las placas de cocina eléctricas/de inducción. 26" como mínimo desde la superficie de cocción hasta 36" como máximo para las placas de cocina de gas.

D = Altura del suelo al techo.



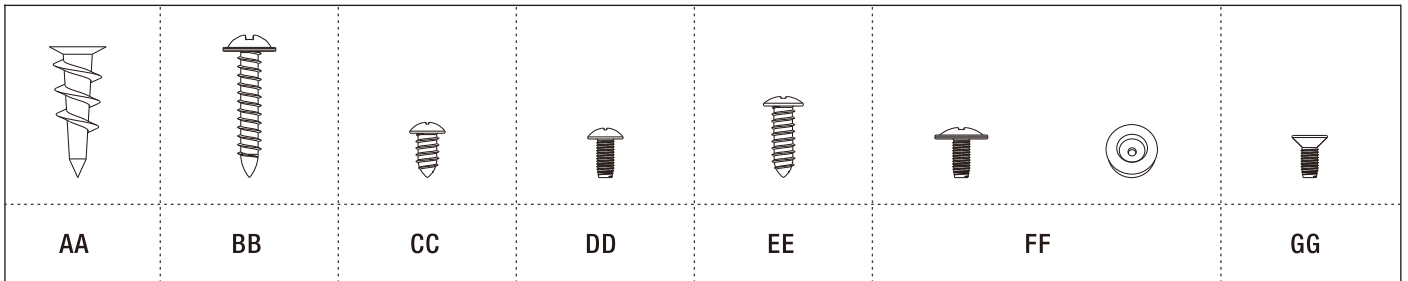
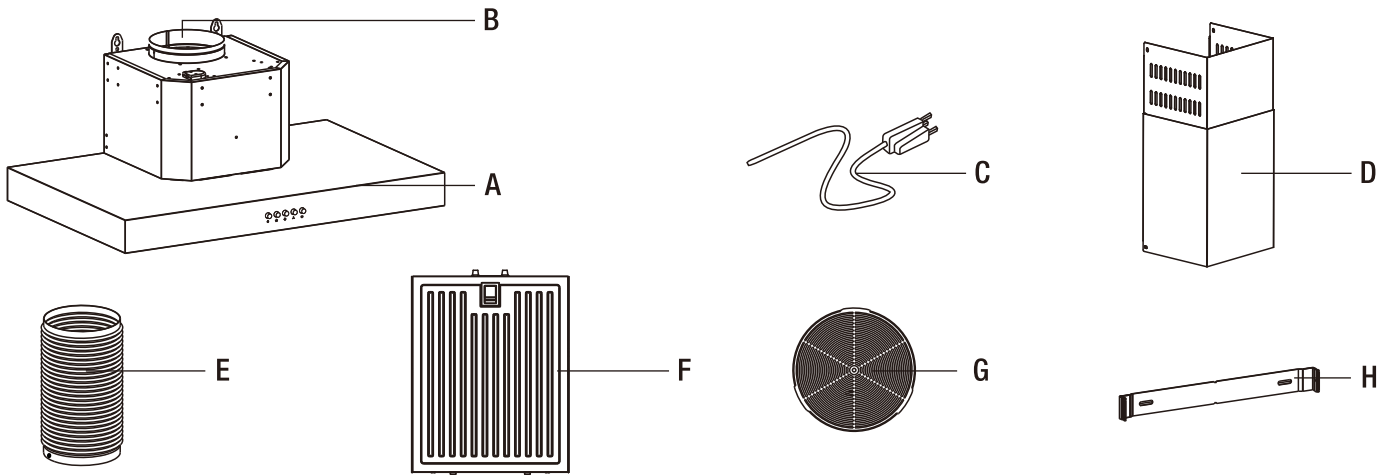
HERRAMIENTAS/MATERIALES NECESARIOS (NO SUMINISTRADOS)

			
Cinta métrica	Nivelador	Gafas protectoras	Lápiz
			
Cinta adhesiva	Martillo	Destornillador Phillips	Cuchillo multusos
			
Destornillador de cabeza plana	Taladro eléctrico	Guantes protectores	Pinzas de punta fina

- Conductos de trabajo
- Conectores de cables eléctricos

Hardware Incluido

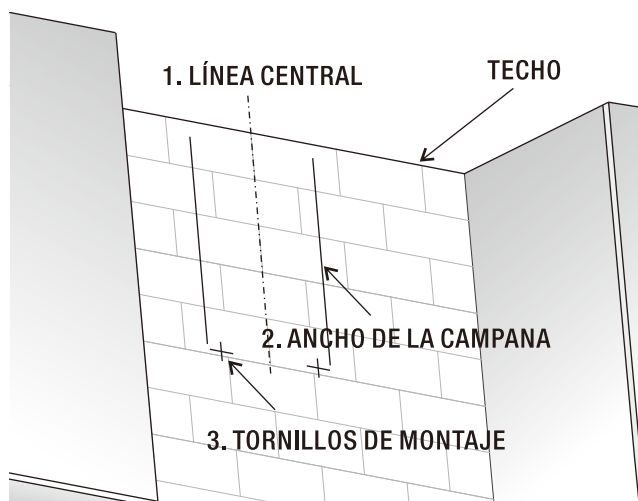
CONTENIDO DEL PAQUETE



N° de pieza	Pieza	Cantidad
A	Campana extractora	1
B	Conducto de aire redondo de 6 in	1
C	Cable de alimentación	1
D	Conductos de acero inoxidable (interior y exterior)	2
E	Manguera de escape de conducto flexible de 6 in	1
F	Filtros deflectores	3
G	Filtros de carbón	2
H	Soporte del conducto	1
AA	Anclaje de panel de yeso	2
BB	Tornillo de anclaje de panel de yeso de 1 3/16	2
CC	Tornillo de cabeza plana para madera #8x 1/2"	2
DD	Tornillo SM #6x3/8	2
EE	#10x3/4 Tornillo de rosca	2
FF	Tornillo de máquina #8x3/8	2
	Patas de goma	2
GG	Tornillo de máquina de cabeza plana #8x3/8	2

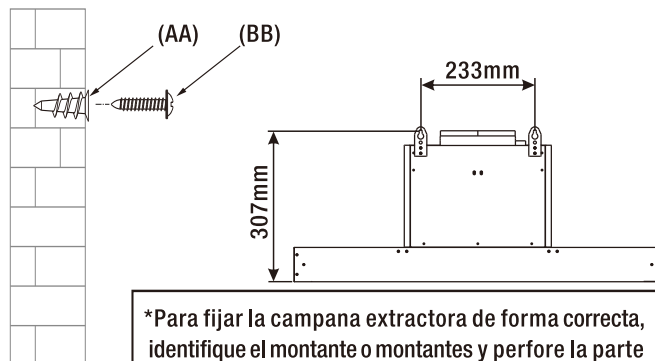
1 Marcado de la pared con los puntos de montaje

- Esta instalación es para el montaje del producto en una pared. Asegúrese de que su pared tiene el soporte adecuado para sostener el peso de la campana extractora.
- Estas instrucciones son unos lineamientos generales. Consulte a su instalador profesional sobre los mejores materiales para el montaje y el sistema de soporte basado en la construcción de su pared.
- En lo posible, todas las campanas extractoras montadas en la pared, deben ser instaladas y soportadas por montantes detrás de la pared (materiales no incluidos). En el caso de que los montantes no estén alineados con los agujeros de la placa de montaje, deberá implementar un sistema de soporte transversal de madera a sus montantes existentes. Todos los hogares son diferentes, y las instalaciones variarán.
- Comience la instalación retirando los filtros (F) y quitando la cinta adhesiva de las aletas de flujo de aire (B).
- Retire la lámina protectora de la campana extractora y de los conductos. Cuando manipule los conductos, utilice guantes de protección para evitar los bordes afilados.
- Busque el centro de la pared donde va a instalar la campana. Marque la línea central hasta el techo y mida desde el centro para los dos puntos de montaje. Los dos orificios de montaje se encuentran en la parte posterior de la campana extractora. Asegúrese de que los puntos de montaje estén nivelados cuando los marque.



2 Colocación de los anclajes de panel de yeso

- Marque los puntos de montaje, instale los anclajes de panel de yeso (AA), y gírelos hasta que queden al ras de la pared. No vuelque.
- Atornille los dos tornillos de anclaje de paneles de yeso de 1-3/16 (BB) en el anclaje de panel de yeso (AA) dejando 1/4 in de las cabezas por afuera para montar la campana.

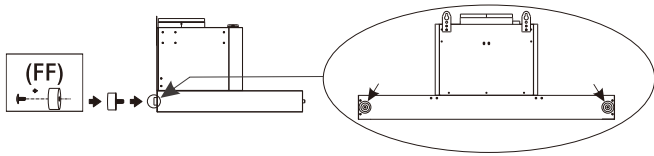


*Para fijar la campana extractora de forma correcta, identifique el montante o montantes y perfore la parte posterior de la campana extractora en la ubicación del montante, y fíjela con tornillos para madera (no incluidos).

Instalación (continuación)

3 *Uso de las patas de goma*

- Si monta la campana extractora de forma paralela a la pared, no necesitará las patas de goma ni el tornillo de máquina #8 x 3/8 (FF). Si no está en paralelo, puede utilizar las patas de goma. Coloque el tornillo de máquina #8 X 3/8 en la superficie convexa de las patas de goma y péguelas en la parte posterior de la campana extractora.

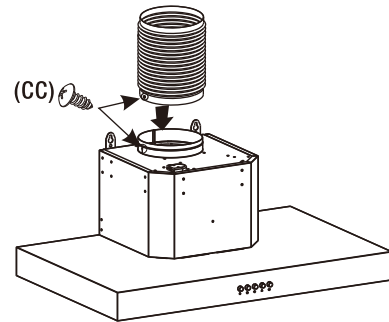


4 *Montaje de la ventilación en el conducto exterior*

- Monte la ventilación en el conducto exterior. Instale la manguera de escape del conducto flexible de 6 in (E) en la aleta de aire de ventilación redonda (B) (fijada a la campana extractora en la parte superior de la unidad) y asegúrela con cinta adhesiva para conductos.
- Termine de atornillar los dos tornillos para madera de cabeza plana #8 x 1/2 (CC).

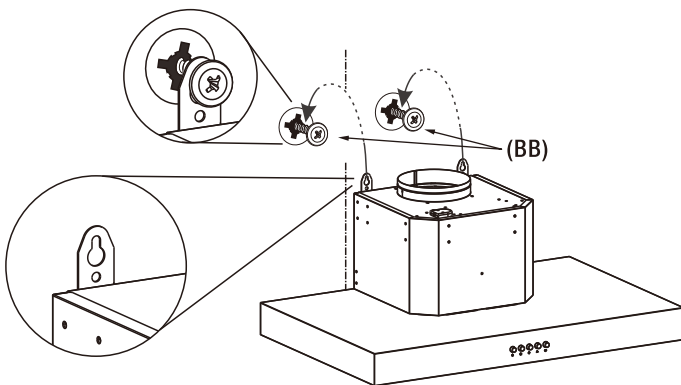


NOTA: Si elige el modo sin conductos/recirculación, no instale la manguera de escape de conducto flexible de 6 in. (E).



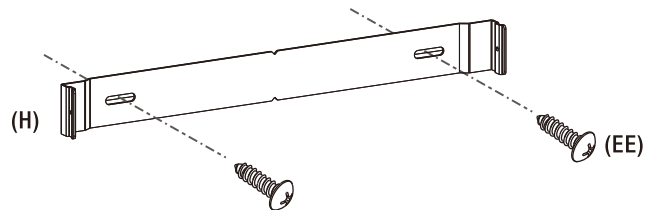
5 *Colocación de la campana extractora*

- Coloque la campana extractora en la ubicación de montaje deseada de forma provisoria (entre 2 personas).



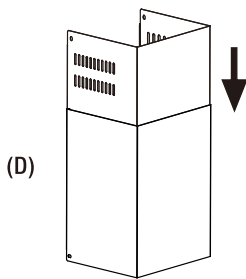
6 *Fijación del soporte del conducto*

- Asegúrese de que la campana extractora esté nivelada. Termine de atornillar los dos tornillos de anclaje de panel de yeso 1-3/16 (BB). No ajuste demasiado.
- Centre el soporte del conducto (H) en la parte superior del techo, inserte dos tornillos de rosca #10 x 3/4 (EE) en los orificios horizontales, y fíjelo a la pared.



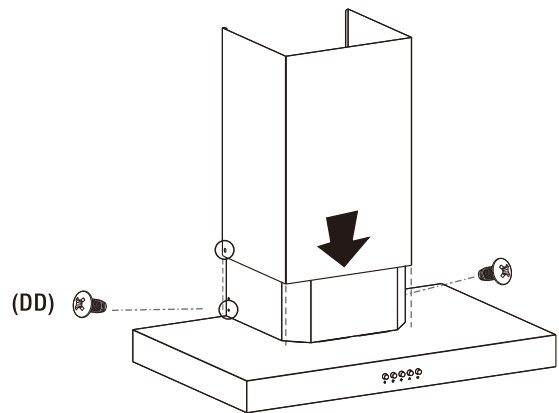
7 Alimentación de la campana

- Encienda la campana conectando el enchufe de tres patas en una toma de corriente cercana.
- El modelo contiene un soporte del conductos (H). Coloque dos piezas de conductos de acero inoxidable (D) en la parte superior de la campana extractora, asegurándose de que la ventilación de la sección superior esté hacia arriba y que la sección superior se deslice dentro de la sección inferior de forma telescópica. Asegúrese de que las ranuras en el interior del conducto funcionen, para que sirvan para guiar y asegurar. Baje el conducto superior dentro del conducto inferior.



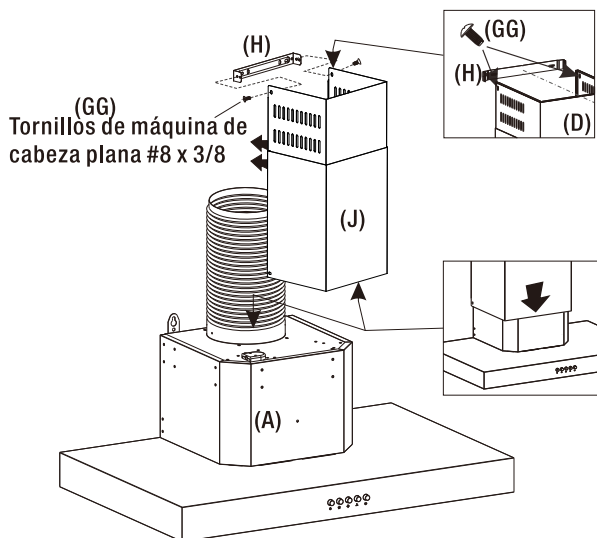
8 Conexión de la campana y el conducto

- Coloque las dos piezas de los conductos de acero inoxidable (D) en la parte superior de la campana extractora.
- Inserte la sección inferior del conducto (D) en la parte superior de la campana extractora, inserte dos tornillos #6 x 3/8 SM (DD) a través del panel exterior del conducto hasta los agujeros alineados en la campana extractora y ajústelos.



9 Terminado de la instalación

- Una vez asegurado el conducto inferior, deslice lentamente el conducto superior hacia el techo.
- Fije dos tornillos de máquina de cabeza plana #8 x 3/8 (GG) desde el exterior del conducto hasta el soporte instalado.



10 Instalación para el modo sin conducto (recirculación)

- Encienda la unidad y siga las instrucciones.



NOTA: Si elige el modo sin conductos/recirculación, no instale la manguera de escape de conducto flexible de 6 in. (E).

- Instale los filtros deflectores (F) en la campana extractora de nuevo.
- Desenchufe el cable de alimentación.
- Retire los tres filtros deflectores (F) situados en la parte inferior de la campana extractora.
- Localice el ventilador motorizado en el interior de la campana.
- Coloque los dos filtros de carbón (G) a ambos lados del ventilador motorizado.
- Gire el filtro de carbón hasta que esté en la posición de bloqueo (se incluyen instrucciones separadas con los filtros).
- Vuelva a instalar los tres filtros deflectores (F) y vuelva a conectar la alimentación.

Funcionamiento

1 Encendido y apagado de la unidad

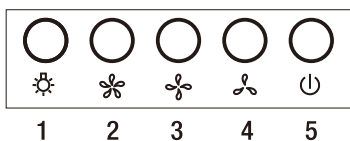


NOTA: Según el panel de control de su modelo, tendrá diferentes instrucciones a su disposición. Elija las instrucciones de su unidad.

- Para encender el ventilador, pulse un botón para seleccionar una de las 3 velocidades:
 - 2 = Alta
 - 3 = Media
 - 4 = Baja
- Si elige una nueva velocidad pulsando un botón diferente, la nueva velocidad del ventilador sustituirá a la anterior.
- Para apagar el ventilador, pulse el botón 5.
- Para encender o apagar la luz, pulse el botón 1.



NOTA: El ventilador y la luz funcionan de forma independiente.



Cuidado y mantenimiento

SUPERFICIES EXTERIORES

- Para evitar daños en la superficie exterior, no utilice lana de acero o jabón. Limpie siempre en seco para evitar marcas de agua.

MÉTODO DE LIMPIEZA

- Utilice agua y jabón líquido suave, no utilice limpiadores abrasivos fuertes. Limpie con un paño suave y húmedo o una esponja no abrasiva, luego enjuague con agua limpia y seque.

QUÉ HACER

- Limpie la campana extractora con un paño no abrasivo o una esponja y detergente líquido.
- Limpie siempre en la dirección del diseño de puntos.
- Después de la limpieza, enjuague con agua.
- Asegúrese de que la campana extractora quede seca.

QUÉ NO HACER

- No utilice lana de acero o productos similares, ya que esto causará arañazos y dejará residuos de hierro que podrían generar óxido y corrosión.
- No limpie en la dirección contraria al diseño de puntos, ya que esto afectará al acabado original.
- No utilice lavandina.

FILTRO DEFLECTOR/GRASA

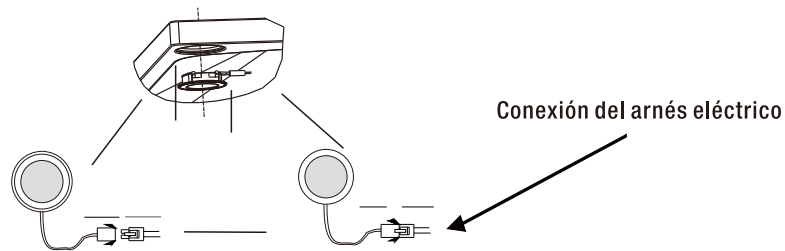
- Retire el filtro tirando de la manija de liberación con resorte y luego tirando del filtro hacia abajo.
- Lave los filtros según sea necesario en el lavavajillas o en una solución con detergente caliente (baja temperatura, ciclo corto).
- Si su modelo tiene una bandeja para la grasa, retírela, escúrrala y límpiela de forma periódica.
- Asegúrese de que los filtros estén completamente secos antes de volver a colocarlos en la campana extractora.
- Vuelva a instalar el filtro asegurándose de que las manijas de liberación con resorte apunten hacia el frente. Inserte el filtro en el carril superior.
- Empuje la manija de liberación con resorte.
- Empuje el filtro hacia arriba y libere la manija para que quede en su lugar.



LUZ LED

Antes de cambiar la luz LED:

- Apague la campana extractora y deje que la luz LED se enfríe.
- Para evitar que se dañe o disminuya la vida útil de la nueva bombilla, no la toque con sus dedos. Sustituya la bombilla utilizando guantes de algodón.
- Si la nueva luz LED no funciona, asegúrese de que las lámparas hayan sido insertadas de forma, antes de llamar al servicio técnico.
- Puede comprar luces de repuesto. El modelo de luz para su unidad aparecerá en una etiqueta en la parte inferior de la campana extractora.



Para cambiar la luz LED:

- Desconecte el cable de alimentación para asegurarse de que la unidad no se encienda.
- Retire los filtros.
- Empuje la luz desde atrás hacia usted hasta que salga.
- Desconecte el arnés eléctrico.
- Conecte las nuevas bombillas al arnés eléctrico.
- Vuelva a colocar las bombillas y los filtros en la unidad.
- Vuelva a conectar el cable de alimentación.

Continuación Del Mantenimiento

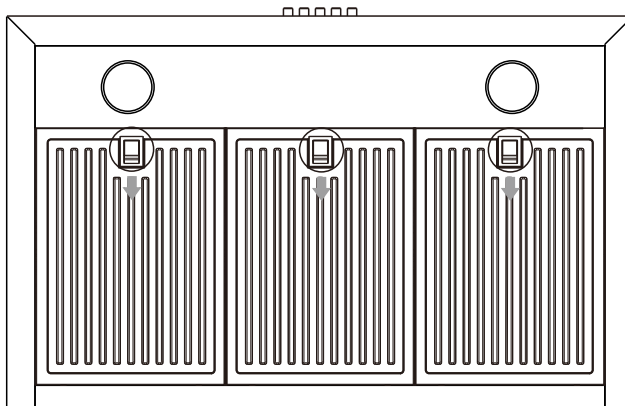
FILTROS



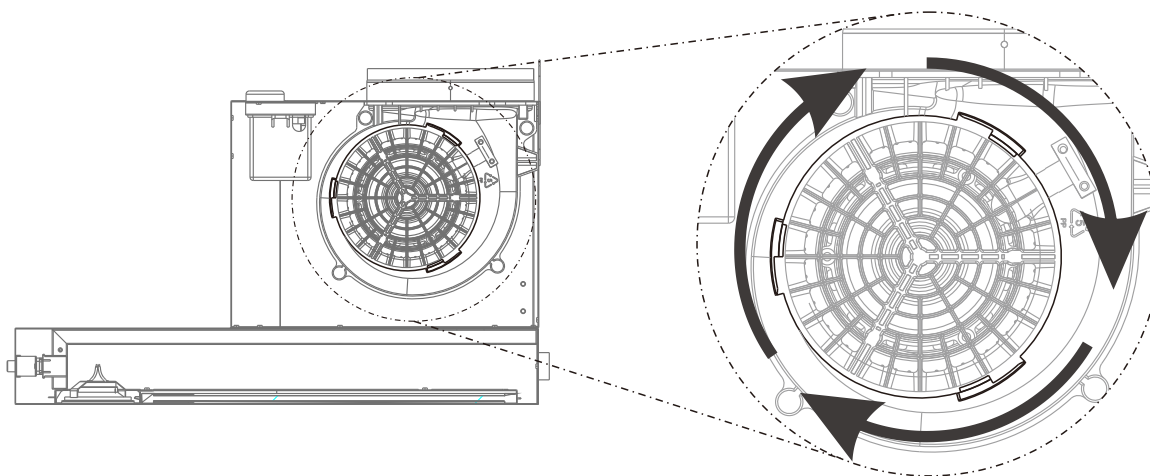
IMPORTANTE: Se recomienda cambiar los filtros cada 6 meses.

Asegúrese de que la unidad de la campana extractora esté apagada.

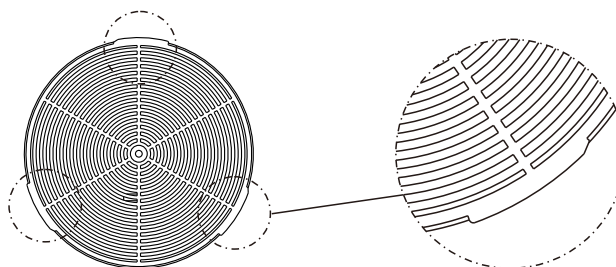
1. Retire los filtros de la parte inferior de la campana extractora.



2. Coloque el filtro de carbón al costado de la carcasa del motor. La carcasa del motor tiene tres lengüetas que deben alinearse con las lengüetas de conexión del filtro.



3. Gire el filtro en sentido horario y asegúrese de que las pestañas de conexión del filtro encajen en las tres pestañas del motor. Repita la operación para colocar el segundo filtro de carbón.



4. Vuelva a colocar los filtros en la parte inferior de la campana extractora.

HOMEDEPOT.COM

Contáctenos al 1-855-847-7264 para obtener más ayuda.

VISSANI™

Questions, problems, missing parts? Before returning to the store,
call Vissani Customer Service
8 a.m. – 7 p.m., EST, Monday-Friday, 9 a.m. – 6 p.m., EST, Saturday

1-855-847-7264

HOMEDEPOT.COM

Retain this manual for future use.

HOMEDEPOT.COM

Please contact 1-855-847-7264 for further assistance.

