



BOTTOM MOUNT BUILT-IN REFRIGERATOR

Use & Care Guide

For questions about features, operation/performance, parts accessories or service, call: **1-800-422-1230**
In Canada, call for assistance **1-800-461-5681**, for installation and service, call: **1-800-807-6777** or visit our website at...
www.kitchenaid.com or www.KitchenAid.ca

REFRIGERADOR EMPOTRADO, CON MONTAJE INFERIOR

Manual de Uso y Cuidado

Para consultas respecto a características, operación/desempeño, partes, accesorios o servicio, llame al: **1-800-422-1230**
En Canadá, para obtener asistencia llame al **1-800-461-5681**, para instalación y servicio llame al: **1-800-807-6777** o
visite nuestra página de Internet... www.kitchenaid.com

RÉFRIGÉRATEUR ENCASTRÉ AVEC CONGÉLATEUR EN DESSOUS

Guide d'utilisation et d'entretien

Au Canada, pour assistance composez le **1-800-461-5681**, pour installation ou service composez le **1-800-807-6777** ou visitez notre site web à...
www.KitchenAid.ca

Table of Contents/Índice/Table des matières 2

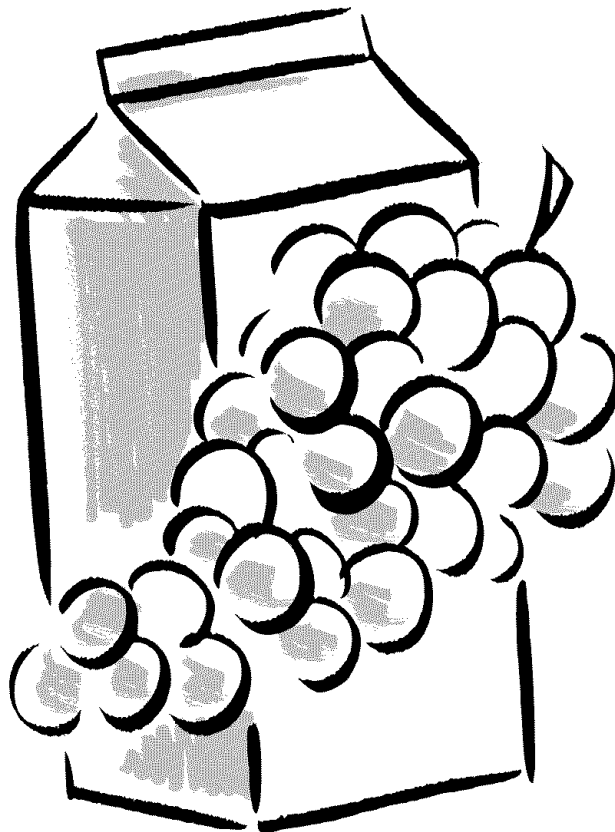


TABLE OF CONTENTS

| | |
|--|-----------|
| REFRIGERATOR SAFETY | 3 |
| Proper Disposal of Your Old Refrigerator | 3 |
| BEFORE USE | 4 |
| REFRIGERATOR USE | 4 |
| Power On/Off Switch | 4 |
| Normal Sounds | 5 |
| Ensuring Proper Air Circulation..... | 5 |
| Using the Controls | 6 |
| REFRIGERATOR FEATURES | 7 |
| Water Filtration System..... | 7 |
| Refrigerator Shelves..... | 8 |
| Deli Locker..... | 8 |
| Deli Locker Temperature Control..... | 8 |
| Crispers and Covers | 9 |
| Crisper Humidity Control | 9 |
| Covered Utility Bin | 9 |
| Wine Rack | 10 |
| FREEZER FEATURES | 10 |
| Ice Maker and Storage Bin/Bucket..... | 10 |
| Pull-out Freezer Basket..... | 10 |
| DOOR FEATURES | 11 |
| Door Bins..... | 11 |
| REFRIGERATOR CARE | 11 |
| Cleaning..... | 11 |
| Changing the Light Bulbs..... | 12 |
| Power Interruptions..... | 12 |
| Vacation Care..... | 12 |
| TROUBLESHOOTING | 13 |
| ASSISTANCE OR SERVICE | 14 |
| In the U.S.A. | 14 |
| In Canada | 15 |
| Accessories | 15 |
| WATER FILTER CERTIFICATIONS | 15 |
| PRODUCT DATA SHEETS | 16 |
| WARRANTY | 17 |

ÍNDICE

| | |
|---|-----------|
| SEGURIDAD DEL REFRIGERADOR | 18 |
| Cómo deshacerse de su refrigerador viejo | 18 |
| ANTES DE USAR | 19 |
| USO DE SU REFRIGERADOR | 19 |
| Interruptor de Encendido/Apagado | 19 |
| Sonidos normales | 20 |
| Cómo asegurar la debida circulación del aire | 21 |
| Uso de los controles | 21 |
| CARACTERÍSTICAS DEL REFRIGERADOR | 23 |
| Sistema de filtrado de agua | 23 |
| Estantes del refrigerador..... | 24 |
| Cajón para carnes frías | 24 |
| Control de temperatura del cajón para carnes frías..... | 24 |
| Cajones para verduras y tapas | 24 |
| Control de humedad del cajón para verduras..... | 25 |
| Compartimiento de uso general con tapa | 25 |
| Portabotellas | 26 |

| | |
|---|-----------|
| CARACTERÍSTICAS DEL CONGELADOR | 26 |
| Fábrica de hielo y depósito/balde de almacenamiento | 26 |
| Canastilla removible del congelador..... | 27 |
| CARACTERÍSTICAS DE LA PUERTA | 27 |
| Recipientes de la puerta | 27 |
| CUIDADO DE SU REFRIGERADOR | 28 |
| Limpieza | 28 |
| Cómo cambiar los focos..... | 29 |
| Cortes de corriente..... | 29 |
| Cuidado durante las vacaciones..... | 29 |
| SOLUCIÓN DE PROBLEMAS | 29 |
| AYUDA O SERVICIO TÉCNICO | 32 |
| En los EE.UU. | 32 |
| En Canadá..... | 32 |
| Accesorios..... | 32 |
| HOJA DE DATOS DEL PRODUCTO | 33 |
| GARANTÍA | 34 |

TABLE DES MATIÈRES

| | |
|--|-----------|
| SÉCURITÉ DU RÉFRIGÉRATEUR | 35 |
| Mise au rebut de votre vieux réfrigérateur | 35 |
| AVANT L'UTILISATION | 36 |
| UTILISATION DU RÉFRIGÉRATEUR | 36 |
| Commutateur marche/arrêt..... | 36 |
| Sons normaux | 37 |
| Pour s'assurer d'une circulation d'air appropriée..... | 38 |
| Utilisation des commandes..... | 38 |
| CARACTÉRISTIQUES DU RÉFRIGÉRATEUR | 40 |
| Système de filtration d'eau | 40 |
| Tablettes du réfrigérateur | 41 |
| Tiroir de spécialités alimentaires | 41 |
| Commande de température du tiroir de spécialités alimentaires | 41 |
| Bacs à légumes et couvercles | 42 |
| Réglage de l'humidité dans le bac à légumes..... | 42 |
| Casier utilitaire couvert | 42 |
| Casier à vin | 43 |
| CARACTÉRISTIQUES DU CONGÉLATEUR | 43 |
| Machine à glaçons et bac/seau d'entreposage | 43 |
| Panier du congélateur amovible | 44 |
| CARACTÉRISTIQUES DE LA PORTE | 44 |
| Compartiments dans la porte | 44 |
| ENTRETIEN DU RÉFRIGÉRATEUR | 45 |
| Nettoyage | 45 |
| Remplacement des ampoules d'éclairage | 46 |
| Pannes de courant | 46 |
| Entretien avant les vacances | 46 |
| DÉPANNAGE | 47 |
| ASSISTANCE OU SERVICE | 49 |
| Accessoires | 49 |
| FEUILLES DE DONNÉES SUR LE PRODUIT | 50 |
| GARANTIE | 51 |

REFRIGERATOR SAFETY

Your safety and the safety of others are very important.

We have provided many important safety messages in this manual and on your appliance. Always read and obey all safety messages.



This is the safety alert symbol.

This symbol alerts you to potential hazards that can kill or hurt you and others.

All safety messages will follow the safety alert symbol and either the word "DANGER" or "WARNING." These words mean:

⚠ DANGER

You can be killed or seriously injured if you don't immediately follow instructions.

⚠ WARNING

You can be killed or seriously injured if you don't follow instructions.

All safety messages will tell you what the potential hazard is, tell you how to reduce the chance of injury, and tell you what can happen if the instructions are not followed.

IMPORTANT SAFETY INSTRUCTIONS

WARNING: To reduce the risk of fire, electric shock, or injury when using your refrigerator, follow these basic precautions:

- Plug into a grounded 3 prong outlet.
- Do not remove ground prong.
- Do not use an adapter.
- Do not use an extension cord.
- Disconnect power before servicing.
- Replace all panels before operating.
- Remove doors from your old refrigerator.
- Use nonflammable cleaner.
- Keep flammable materials and vapors, such as gasoline, away from refrigerator.
- Use two or more people to move and install refrigerator.
- Disconnect power before installing ice maker (on ice maker kit ready models only).
- Use a sturdy glass when dispensing ice or water (on some models).

SAVE THESE INSTRUCTIONS

Proper Disposal of Your Old Refrigerator

⚠ WARNING

Suffocation Hazard

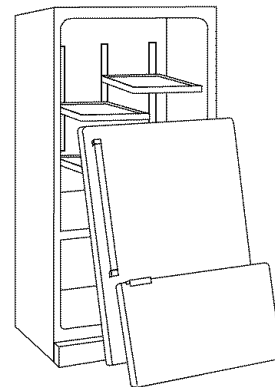
Remove doors from your old refrigerator.

Failure to do so can result in death or brain damage.

IMPORTANT: Child entrapment and suffocation are not problems of the past. Junked or abandoned refrigerators are still dangerous – even if they will sit for "just a few days." If you are getting rid of your old refrigerator, please follow these instructions to help prevent accidents.

Before you throw away your old refrigerator or freezer:

- Take off the doors.
- Leave the shelves in place so that children may not easily climb inside.



BEFORE USE

Removing packaging materials

- Remove tape and glue residue from surfaces before turning on the refrigerator. Rub a small amount of liquid dish soap over the adhesive with your fingers. Wipe with warm water and dry.
- Do not use sharp instruments, rubbing alcohol, flammable fluids, or abrasive cleaners to remove tape or glue. These products can damage the surface of your refrigerator. For more information, see the "Refrigerator Safety" section.

Cleaning before use

After you remove all of the packaging materials, clean the inside of your refrigerator before using it. See the cleaning instructions in the "Refrigerator Care" section.

Important information to know about glass shelves and covers:

Do not clean glass shelves or covers with warm water when they are cold. Shelves and covers may break if exposed to sudden temperature changes or impact, such as bumping. For your protection, tempered glass is designed to shatter into many small, pebble-size pieces. This is normal. Glass shelves and covers are heavy. Use special care when removing them to avoid impact from dropping.

REFRIGERATOR USE

⚠ WARNING



Electrical Shock Hazard

Plug into a grounded 3 prong outlet.

Do not remove ground prong.

Do not use an adapter.

Do not use an extension cord.

Failure to follow these instructions can result in death, fire, or electrical shock.

⚠ WARNING



Explosion Hazard

Keep flammable materials and vapors, such as gasoline, away from refrigerator.

Failure to do so can result in death, explosion, or fire.

Power On/Off Switch

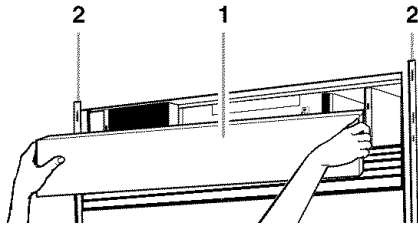
If you need to turn the power to your refrigerator ON or OFF, you must remove the top grille assembly to access the On/Off switch. Turn the power to the refrigerator OFF when cleaning or changing light bulbs.

Panel Models (on some models)

To remove top grille:

1. Grasp both ends of the top grille assembly.

2. Push the top grille assembly straight up, then pull straight out. Lay the assembly on a soft surface.



1. Top grille
2. Cabinet side trims

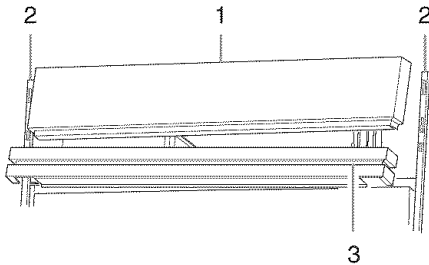
To replace top grille:

1. Insert top grille hooks (located on the back of the top grille) into the slots on the side trim.
2. Pull grille down slightly to lock into place.

Wraparound Door Models (on some models)

To remove top grille:

1. Grasp both ends of louver panel. Push louver panel straight up, then pull straight out. Lay the panel on a soft surface.
2. Grasp both ends of the top grille. Push top grille straight up, then pull straight out. Lay the top grille on a soft surface.



1. Top grille
2. Cabinet side trim
3. Louver panel

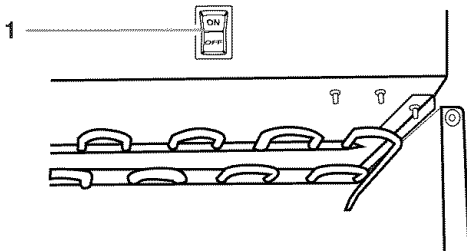
To replace top grille:

1. Insert top grille hooks (located on the back of the top grille panel) into the slots on side trim. Pull grille down slightly to lock into place.
2. Insert louver panel hooks (located on the back of the louver panel) into the slots on the side trim. Pull panel down slightly to lock into place.

To Turn Power On or Off:

1. Remove top grille.
2. Press main power switch to the ON or OFF position.
3. Replace top grille.

IMPORTANT: Be sure the power switch is set to the ON position after cleaning refrigerator or changing light bulbs.



1. Power On/Off switch

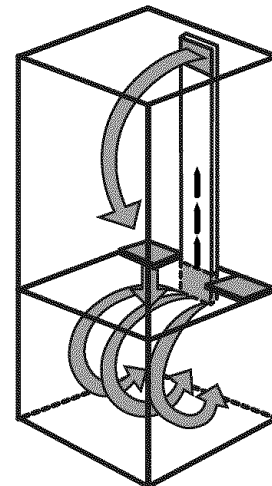
Normal Sounds

Your new refrigerator may make sounds that your old one didn't make. Because the sounds are new to you, you might be concerned about them. Most of the new sounds are normal. Hard surfaces, such as the floor, walls, and cabinets, can make the sounds seem louder. The following describes the kinds of sounds and what may be making them.

- If your product is equipped with an ice maker, you will hear a buzzing sound when the water valve opens to fill the ice maker for each cycle.
- Your refrigerator is designed to run more efficiently to keep your food items at the desired temperatures and to minimize energy usage. The high efficiency compressor and fans may cause your refrigerator to run longer than your old one. You may also hear a pulsating or high-pitched sound from the compressor or fans adjusting to optimize performance.
- You may hear the evaporator fan motor circulating air through the refrigerator and freezer compartments. The fan speed may increase as you open the doors or add warm food.
- Rattling noises may come from the flow of refrigerant, the water line, or items stored on top of the refrigerator.
- Water dripping on the defrost heater during a defrost cycle may cause a sizzling sound.
- As each cycle ends, you may hear a gurgling sound due to the refrigerant flowing in your refrigerator.
- Contraction and expansion of the inside walls may cause a popping noise.
- You may hear air being forced over the condenser by the condenser fan.
- You may hear water running into the drain pan during the defrost cycle.

Ensuring Proper Air Circulation

In order to ensure proper temperatures, you need to permit airflow between the refrigerator and freezer sections. As shown in the illustration, cool air enters the freezer section through vents in the rear and top. The air flows forward through the freezer section and recirculates under the freezer floor. Cool air enters the refrigerator section through the top, flows down and across shelves to the doors and recirculates to return air vents at the bottom.



Do not block any of these vents with food packages. If the vents are blocked, airflow will be prevented and temperature and moisture problems may occur.

IMPORTANT: Because air circulates between both sections, any odors formed in one section will transfer to the other. You must thoroughly clean both sections to eliminate odors. To prevent odor transfer and drying out of food, wrap or cover foods tightly.

Using the Controls

Digital Controls

IMPORTANT:

- The Refrigerator Control adjusts the refrigerator compartment temperature. The Freezer Control adjusts the freezer compartment temperature.
- Wait 24 hours after you turn on the refrigerator before you put food into it. If you add food before the refrigerator has cooled completely, your food may spoil.

NOTE: Adjusting the Refrigerator and Freezer Controls to a lower (colder) setting will not cool the compartments any faster.

- If the temperature is too warm or too cold in the refrigerator or freezer, first check the air vents to be sure they are not blocked before adjusting the controls.
- The preset settings should be correct for normal household usage. The controls are set correctly when milk or juice is as cold as you like and when ice cream is firm.

For your convenience, your controls are preset at the factory. When installing your refrigerator, make sure that the controls are still preset to the “mid-settings” as shown. The digital control panel is located at the top of the refrigerator compartment.

NOTE: The factory recommended set points are 0°F (-18°C) for the freezer and 37°F (3°C) for the refrigerator.

To turn refrigerator on and view set points:

- Press and hold POWER (ON/OFF) for 2 seconds.



NOTE: After the refrigerator is turned on, the Over Temperature audio alarm and indicator light will activate every 1½ hours until the refrigerator and freezer temperatures are below 48°F (9°C) and 15°F (-9°C), respectively. To turn off the alarm and indicator light, press the OVER TEMPERATURE RESET. (See the “Over Temperature Reset” section.)

To view the Celsius temperatures:

- Press °C SELECT touch pad. The negative sign (-) will light up. To redisplay degrees Fahrenheit, press °C SELECT again.



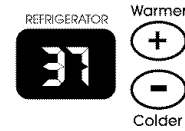
NOTE: If the freezer temperature is below zero, the negative sign next to the freezer display will light up. This is normal.

Adjusting Digital Controls

NOTE: Wait at least 24 hours between adjustments. Recheck the temperatures before other adjustments are made.

To adjust set point temperatures:

- Press the refrigerator or freezer PLUS (+) or MINUS (-) key pad until the desired temperature is reached.



NOTE: The set point range for the freezer is -9°F to 9°F (-23°C to -13°C). The set point range for the refrigerator is 32°F to 46°F (0°C to 8°C).

| CONDITION/REASON: | TEMPERATURE ADJUSTMENT: |
|--|--------------------------------|
| REFRIGERATOR too cold Not set correctly for conditions | REFRIGERATOR Control 1° higher |
| REFRIGERATOR too warm High use or room very warm | REFRIGERATOR Control 1° lower |
| FREEZER too cold Not set correctly for conditions | FREEZER Control 1° higher |
| FREEZER too warm/too little ice High use or heavy ice use | FREEZER Control 1° lower |

Additional Digital Control Panel Features

Additional features are located on the control panel at the top of the refrigerator compartment.

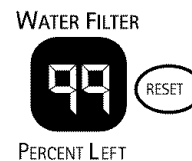
WATER FILTER Status & Reset

NOTE: Do not use with water that is microbiologically unsafe or of unknown quality without adequate disinfection before or after the system.

The water filter display will help you know when it is time to change your filter. To change the filter, see the “Water Filtration System” section.

| INDICATOR: | STATUS: |
|-----------------------------|--------------------------|
| 99 percent | New filter installed |
| 10 percent | Order replacement filter |
| 0 percent or flow decreases | Replace filter |

- After replacing the water filter, press RESET and hold for 2 seconds to change the water filter display to 99 percent.



Max Cool

The Max Cool feature assists with periods of heavy ice usage, full grocery loads, or temporarily warm room temperatures.

- Press MAX COOL to turn on the Max Cool feature. The Max Cool indicator light will remain on for 24 hours unless manually turned off.



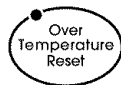
NOTE: The temperature display will not change. After 24 hours, the refrigerator returns to the previous temperature set points.

Over Temperature Reset

The Over Temperature feature is designed to let you know when either the refrigerator temperature rises above 48°F (9°C) or the freezer temperature rises above 15°F (-9°C) for longer than 1½ hours. The audio alarm will shut off automatically when the temperature returns to normal, but the indicator light will continue to flash to let you know that an over temperature condition has occurred.

IMPORTANT: If the Over Temperature Alarm activates, your food may spoil. See the “Power Interruptions” section for more information and minimize door openings until temperatures return to normal.

- Press OVER TEMPERATURE RESET to turn off the audio alarm and flashing indicator light.



- The Over Temperature feature will continue to activate every 1½ hours until refrigerator and freezer temperatures are below 48°F (9°C) and 15°F (-9°C), respectively.

Holiday Mode

The Holiday Mode feature is designed for the traveler who wishes to save additional energy or for those whose religious observances require turning off the lights and ice maker. By selecting this feature, the temperature set points remain unchanged, the ice maker will be disabled and the interior lights will turn off.

- Press HOLIDAY MODE to turn on the Holiday Mode feature. This feature will remain on until the Holiday Mode key is pressed again.



NOTE: If the Max Cool feature has been selected prior to turning on the Holiday Mode feature, then the set points will remain at 32°F (0°C) and -10°F (-23°C) for the refrigerator and freezer compartments until the Max Cool feature times out. The refrigerator will then return to the previous temperature set points.

Call Service

If the Call Service indicator light is flashing, call for service. See the “Assistance or Service” section for information on calling for service.

- Call Service

Door Open

The Door Open indicator light will flash, an alarm will sound and the interior lights will turn off when a door is open for longer than 10 minutes. When the door is closed, the sound alarm will reset and turn off but the Door Open indicator light will continue to flash until the temperature is equal to or below 45°F (7°C) and 15°F (-9°C) for the refrigerator and freezer compartments respectively. You can also reset the Door Open sound alarm by pressing the OVER TEMPERATURE RESET.

- Door Open

REFRIGERATOR FEATURES

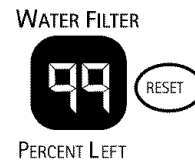
Water Filtration System

The Base Grille Water Filter Status Light

The water filter indicator display or light will help you know when to change your water filter cartridge. The display or light is located at the top of the refrigerator compartment.

NOTE: Do not use with water that is microbiologically unsafe or of unknown quality without adequate disinfection before or after the system.

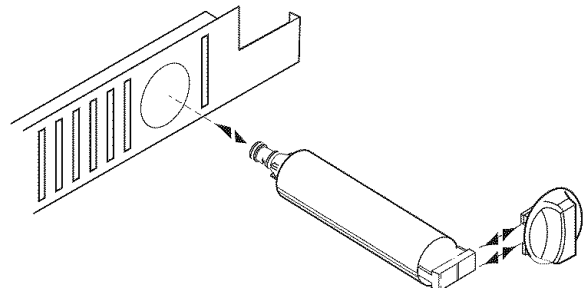
A new water filter should display a reading of 99% and will continue to decrease as the filter life is used. When display reads 10%, it is time to order a replacement filter. It is recommended that you replace the base grille water filter cartridge when the water filter indicator light changes to 0% OR when water flow to your water dispenser or ice maker decreases noticeably. (See “Changing the Base Grille Filter” later in this section.)



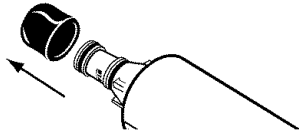
After changing the water filter cartridge, reset the water filter status light by pressing and holding the RESET for 2 seconds. The indicator light will change to 99% when the filter indicator is reset.

Changing the Base Grille Filter

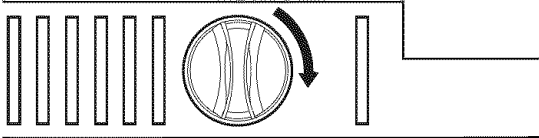
1. Locate the water filter cartridge cap in the front base grille. Rotate the cap counterclockwise to a vertical position and pull the cap and filter cartridge out through the base grille.
NOTE: There will be water in the cartridge. Some spilling may occur.
2. Remove the cartridge cap by sliding it off the end of the old cartridge. The cap will slide to the left or right. **DO NOT DISCARD THE CAP.**



3. Take the new cartridge out of its packaging and remove protective cover from o-rings.



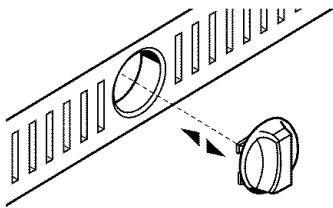
4. Slide the cartridge cap onto the new cartridge. See illustration in Step 2.
5. With cartridge cap in the vertical position, push the new filter cartridge into the base grille until it stops. Rotate the cartridge cap clockwise to a horizontal position. Discard the first three batches of ice produced after replacing the filter.



Using the Ice Maker Without the Water Filter

You can run the ice maker without a water filter cartridge. Your ice will not be filtered.

1. Remove the base grille water filter cartridge.
2. Slide the cartridge cap off the end of the filter cartridge. **DO NOT DISCARD THE CAP.** With the cartridge cap in the vertical position, insert the cap into the base grille until it stops.



3. Rotate the cartridge cap to a horizontal position. The cartridge cap might not be even with the base grille.

Refrigerator Shelves

Important information to know about glass shelves and covers:

Do not clean glass shelves or covers with warm water when they are cold. Shelves and covers may break if exposed to sudden temperature changes or impact, such as bumping. For your protection, tempered glass is designed to shatter into many small, pebble-size pieces. This is normal. Glass shelves and covers are heavy. Use special care when removing them to avoid impact from dropping.

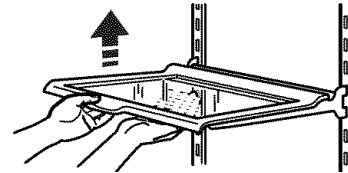
The shelves in your refrigerator are adjustable to meet your individual storage needs.

Storing similar food items together in your refrigerator and adjusting the shelves to fit different heights of items will make finding the exact item you want easier. It will also reduce the amount of time the refrigerator door is open, and save energy.

Shelves and Shelf Frames

To remove and replace a shelf/frame:

1. Remove the shelf/frame by tilting it up at the front and lifting it out of the shelf supports. Pull shelf straight out.
2. Replace the shelf/frame by guiding the rear shelf hooks into the shelf supports. Tilt the front of the shelf up until the rear shelf hooks drop into the shelf supports.
3. Lower the front of the shelf and check to make sure that the shelf is securely in position.

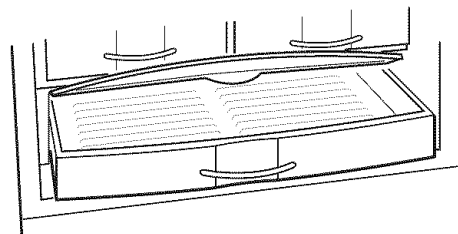


Deli Locker

The Deli Locker is designed to provide colder storage temperatures than the average refrigerator temperature. The air in the drawer can be set to the National Livestock and Meat Board recommended storage temperature range of 28° - 32°F (-2° - 0°C) for fresh meats. It is also large enough to store large party trays.

To remove and replace the Deli Locker drawer:

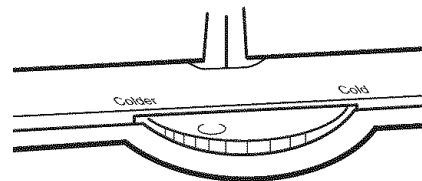
1. Remove the deli locker by rolling it out to the stop. Lift up front slightly. Pull deli locker out the rest of the way.
2. Replace by positioning the rollers between the front roller of track and the track. Push deli locker up and onto track. Slide back until stops.



Deli Locker Temperature Control

The Deli Locker temperature control allows you to adjust the storage temperature of the Deli Locker. Cold air flows into the Deli Locker through an air duct between the freezer and the refrigerator. Setting the control allows more or less cold air through the air duct. Set the control to "COLD" to close the air duct.

IMPORTANT: If a food item freezes in the Deli Locker, utility drawer, or crisper, turn the Deli Locker temperature control to "COLD."



Meat Storage Guide

Store most meat in original wrapping as long as it is airtight and moisture-proof. Rewrap if necessary. See the following chart for storage times. When storing meat longer than the times given, freeze the meat.

Fresh fish or shellfish use same day as purchased

Chicken, ground beef, variety meat (liver, etc.) 1-2 days

Cold cuts, steaks/roasts 3-5 days

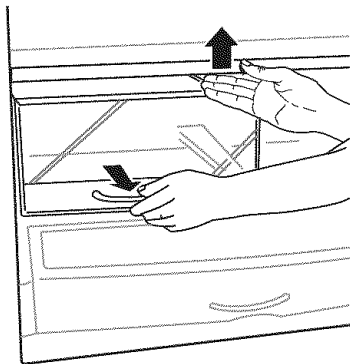
Cured meats 7-10 days

Leftovers - Cover leftovers with plastic wrap, aluminum foil, or plastic containers with tight lids.

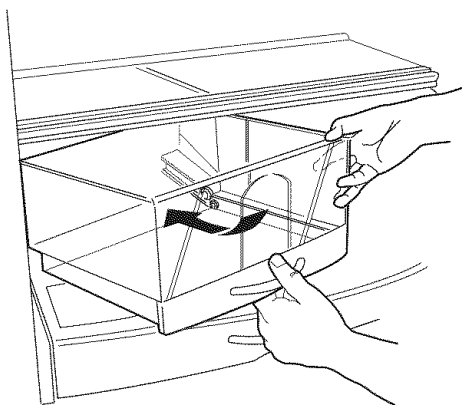
Crispers and Covers

To remove and replace the crisper or utility drawer:

1. Remove contents from the drawer.
2. Using the handle, slide the crisper drawer straight out to the stop.
3. Lifting up slightly on the crisper cover, remove the crisper drawer roller from the side wall track and pull the drawer out at an angle to remove the crisper drawer roller from behind the large roller in the center support track.



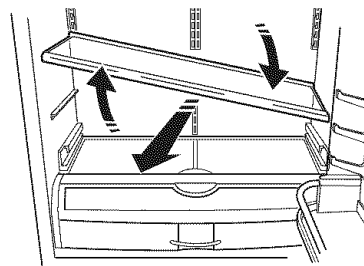
4. Replace the crisper drawer by lifting up slightly on the crisper cover and angling the crisper roller behind the large roller in the center support track, then engage the other crisper roller into the side wall track. Slide the drawer back in fully.



To remove and replace the crisper covers:

1. Remove food from crisper cover. Pull both crispers out about 4 in. (10.16 cm). Reach under the glass shelf with both hands and lift gently upward until back of shelf is free. Tilt shelf at an angle and remove shelf from refrigerator being careful not to bump the glass.

2. Replace the crisper cover by holding the glass shelf firmly with both hands, tilt the shelf at an angle and position it above the support rails. Place shelf gently on support rails on side wall.



Crisper Humidity Control

You can control the amount of humidity in the moisture-sealed crisper. The crisper controls are located on the front of the crispers. Adjust the control to any setting between LOW and HIGH.

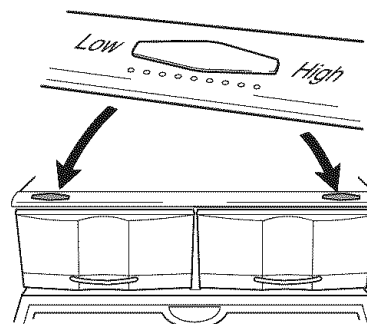
LOW (open) lets moist air out of the crisper for best storage of fruits and vegetables with skins.

- Fruit: Wash, let dry and store in refrigerator in plastic bag or crisper. Do not wash or hull berries until they are ready to use. Sort and keep berries in original container in crisper, or store in a loosely closed paper bag on a refrigerator shelf.
- Vegetables with skins: Place in plastic bags or plastic container and store in crisper.

HIGH (closed) keeps moist air in the crisper for best storage of fresh, leafy vegetables.

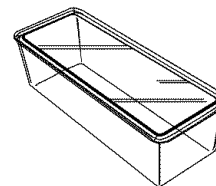
- Leafy vegetables: Wash in cold water, drain and trim or tear off bruised and discolored areas. Place in plastic bag or plastic container and store in crisper.

Humidity control locations:



Covered Utility Bin

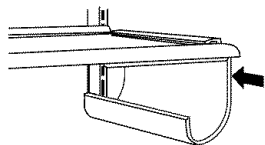
NOTE: For long-term storage, store eggs in a covered container or in their original carton on an interior shelf.



Wine Rack

To remove and replace the wine rack:

1. Remove the rack by pulling it straight out from the shelf.
2. Replace the rack by sliding it in between the shelf and the wall of the refrigerator.



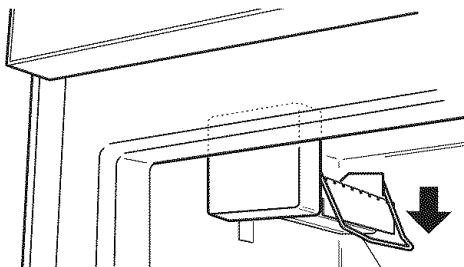
FREEZER FEATURES

Ice Maker and Storage Bin/Bucket

To turn the ice maker on/off:

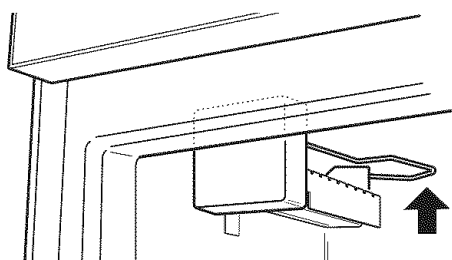
The on/off switch for the ice maker is a wire shutoff arm located on the side of the ice maker.

1. To turn the ice maker on, simply lower the wire shutoff arm.



NOTE: Your ice maker has an automatic shutoff. As ice is made, the ice cubes will fill the ice storage bin and the ice cubes will raise the wire shutoff arm to the OFF (arm up) position.

2. To manually turn the ice maker off, lift the wire shutoff arm to the OFF (arm up) position and listen for the click to make sure the ice maker will not continue to operate.



To increase ice production rate:

- In normal ice production, the ice maker should produce approximately 7 to 9 batches of ice in a 24-hour period. If ice is not being made fast enough, turn the Freezer Control toward a higher (colder) number. Wait 24 hours between each increase.

To care for ice storage bin:

1. Empty the ice bin. Use warm water to melt the ice if necessary.

NOTE: Never use anything sharp to break up the ice in the bin. This can cause damage to the ice container and the dispenser mechanism.

2. Wash ice bin with a mild detergent, rinse well and dry thoroughly. Do not use harsh or abrasive cleaners or solvents.

REMEMBER:

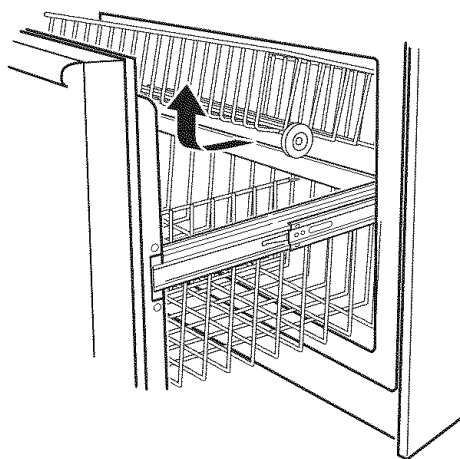
- Allow 24 hours to produce the first batch of ice.
- Discard the first three batches of ice produced to avoid impurities that may be flushed out of the system.
- The quality of your ice will be only as good as the quality of the water supplied to your ice maker.
- Avoid connecting the ice maker to a softened water supply. Water softener chemicals (such as salt) can damage parts of the ice maker and lead to poor quality ice. If a softened water supply cannot be avoided, make sure the water softener is operating properly and is well maintained.
- It is normal for the ice cubes to be attached at the corners. They will break apart easily.
- Do not force the wire shutoff arm up or down.
- Do not store anything on top of the ice maker or in the ice storage bin.
- It may take three to four days for the ice bin to completely fill, if no ice is used.

Pull-out Freezer Basket

The freezer basket can be used to store bags of frozen fruits and vegetables that may slide off freezer shelves.

To remove and replace the freezer basket:

1. Turn off the ice maker. Pull basket out of freezer.
2. Lift basket up and out.



3. Replace the basket by placing rear of basket in shelf tracks. Lower front of basket.
4. Turn on ice maker.

Frozen Food Storage Guide

Storage times will vary according to the quality and type of food, the type of packaging or wrap used (should be airtight and moisture-proof), and the storage temperature. Ice crystals inside a sealed package are normal. This simply means that moisture in the food and air inside the package have condensed, creating ice crystals.

Put no more unfrozen food into the freezer than will freeze within 24 hours (no more than 2 to 3 lbs. of food per cubic foot [907-1,350 g per L] of freezer space). Leave enough space in the freezer for air to circulate around packages. Be careful to leave enough room for the door to close tightly.

For more information on preparing food for freezing, check a freezer guide or reliable cookbook.

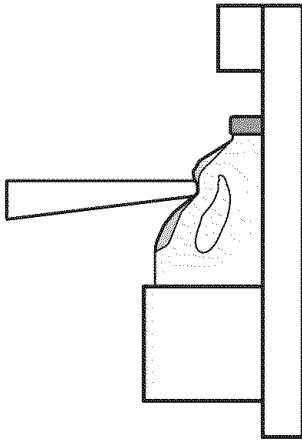
DOOR FEATURES

Door Bins

The top two door bins hold 2-liter bottles and are adjustable. The bottom door bin is fixed and can hold gallon containers.

Gallon Door Bin

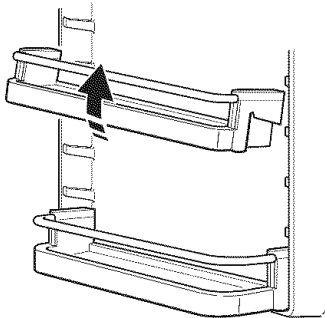
NOTE: Do not place an interior shelf directly across from the gallon door bin, as shown following. The gallon door bin or its contents will prevent the refrigerator door from closing and could cause damage to bins and shelves.



Door Bins

To remove and replace the door bins:

1. Remove the bin by lifting it up and pulling it straight out.
2. Replace the bin by insert the hooks into the slots on both sides of the refrigerator door. Push the bin down to lock it into place.



REFRIGERATOR CARE

Cleaning

⚠ WARNING



Explosion Hazard

Use nonflammable cleaner.

Failure to do so can result in death, explosion, or fire.

Both the refrigerator and freezer sections defrost automatically. However, clean both sections about once a month to prevent odors from building up. Wipe up spills immediately.

To clean your refrigerator:

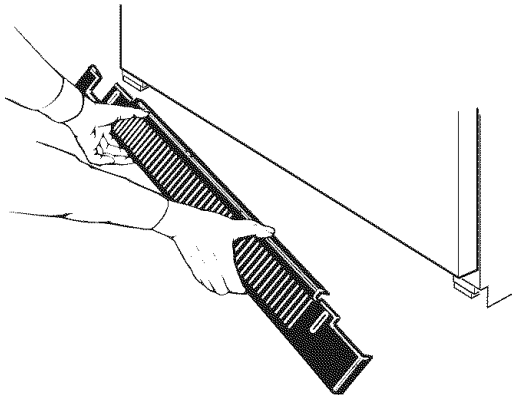
1. Remove the top grille, see the "Power On/Off Switch" section.
2. Press power switch to the OFF position.
3. Remove all removable parts from inside, such as shelves, crispers, etc.
4. Hand wash, rinse, and dry removable parts and interior surfaces thoroughly. Use a clean sponge or soft cloth and a mild detergent in warm water.
 - Do not use abrasive or harsh cleaners such as window sprays, scouring cleansers, flammable fluids, cleaning waxes, concentrated detergents, bleaches or cleansers containing petroleum products on plastic parts, interior and door liners or gaskets. Do not use paper towels, scouring pads, or other harsh cleaning tools. These can scratch or damage materials.
 - To help remove odors, you can wash interior walls with a mixture of warm water and baking soda (2 tbs. to 1 qt. [26 g to .95 L] of water).
5. Wash stainless steel and painted metal exteriors with a clean sponge or soft cloth and a mild detergent in warm water. Do not use abrasive or harsh cleaners. Dry thoroughly with a soft cloth. For additional protection against damage to painted metal exteriors, apply appliance wax (or auto paste wax) with a clean, soft cloth. Do not wax plastic parts.

NOTE: To keep your Stainless Steel refrigerator looking like new and to remove minor scuffs or marks, it is suggested that you use the manufacturer's approved Stainless Steel Cleaner & Polish.

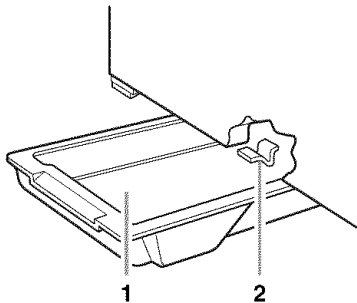
IMPORTANT: This cleaner is for Stainless Steel parts only!

Do not allow the Stainless Steel Cleaner & Polish to come into contact with any plastic parts such as the trim pieces, dispenser covers or door gaskets. If accidental contact does occur, clean plastic part with a sponge and mild detergent in warm water. Dry thoroughly with a soft cloth. To order the cleaner, see the "Accessories" section.

6. Clean the condenser coils located behind the top grille ventilation panel regularly. Coils may need to be cleaned as often as every other month. This may help save energy.
 - Use a vacuum with an extended attachment to clean the condenser coils when they are dusty or dirty.
7. Clean defrost pan using mild detergent in warm water. Dry thoroughly.
 - Remove the base grille by removing a screw at each end.



- Remove the defrost pan by pushing up on the retaining clip under the refrigerator while sliding the pan forward.



1. Defrost pan
2. Retaining clip

- Replace the defrost pan by positioning the edge of the defrost pan approximately 7 in. (17.8 cm) from the left side of the refrigerator. Lift defrost pan into guides and push back and place pan inside of retaining clip. Replace the base grille and base grille screws.
8. Press the power switch to the ON position.
 9. Replace the top grille. See the “Power On/Off Switch” section.

Changing the Light Bulbs

NOTE: Not all appliance bulbs will fit your refrigerator. Be sure to replace the bulb with one of the same size and shape. The lights require a 40-watt to 60-watt maximum appliance bulb. Replacement bulbs are available from your dealer.

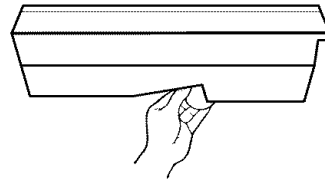
1. Remove the top grille. See the “Power On/Off Switch” section.
2. Press power switch to the OFF position.
3. Remove light shield when applicable as shown.

NOTE: To clean a light shield, wash it with warm water and a liquid detergent. Rinse and dry the shield well.

4. Remove light bulb and replace with one of the same size, shape and wattage.
5. Replace light shield when applicable as shown.
6. Press the power switch to the ON position.
7. Replace the top grille. See the “Power On/Off Switch” section.

Refrigerator Control Panel Lights

Reach behind the refrigerator and freezer control panel (located at the top of the refrigerator compartment) to remove and replace the light bulb.



Freezer Light (Above Ice Storage Bin)

Reach behind the panel (located at the top of the freezer compartment) to remove and replace the light bulb.

Power Interruptions

If the power will be out for 24 hours or less, keep both refrigerator doors closed to help food stay cold and frozen.

If the power will be out for more than 24 hours, do one of the following:

- Remove all frozen food and store it in a frozen food locker.
- Place 2 lbs. (907 g) of dry ice in the freezer for every cubic foot (28 L) of freezer space. This will keep the food frozen for two to four days.
- If neither a food locker nor dry ice is available, consume or can perishable food at once.

REMEMBER: A full freezer stays cold longer than a partially filled one. A freezer full of meat stays cold longer than a freezer full of baked goods. If you see that food contains ice crystals, it may be refrozen, although the quality and flavor may be affected. If the condition of the food is poor, dispose of it.

Vacation Care

Your refrigerator is equipped with the Holiday Mode feature which is designed for the traveler who wishes to save additional energy. By selecting this feature, the temperature set points remain unchanged, the ice maker will be disabled and the interior lights will turn OFF.

If you choose to leave the refrigerator on while you're away:

1. Use up any perishables and freeze other items.
2. Press HOLIDAY MODE pad.
3. If your refrigerator has an automatic ice maker, shut off water supply to the ice maker.
4. Empty the ice bin.
5. When you return from vacation, press HOLIDAY MODE to return to normal operation.

If you choose to turn the refrigerator off before you leave:

1. Remove all food from the refrigerator.
2. If your refrigerator has an automatic ice maker:
 - Turn off the water supply to the ice maker at least one day ahead of time.
 - When the last load of ice drops, raise the wire shutoff arm to the OFF (up) position.
3. Depending on your model, turn the Thermostat Control (or Refrigerator Control) to OFF see the “Using the Controls” section.
4. Clean refrigerator, wipe it, and dry well.
5. Tape rubber or wood blocks to the tops of both doors to prop them open far enough for air to get in. This stops odor and mold from building up.

TROUBLESHOOTING

Try the solutions suggested here first in order to avoid the cost of an unnecessary service call.

Your refrigerator will not operate

- **Is the power supply cord unplugged?** Plug into a grounded 3 prong outlet.
- **Has a household fuse or circuit breaker tripped?** Replace the fuse or reset the circuit breaker.
- **Is the refrigerator or freezer control turned to the OFF position?** See the “Using the Controls” section.
- **Is the refrigerator defrosting?** Recheck to see if the refrigerator is operating in 30 minutes. Your refrigerator will regularly run an automatic defrost cycle.
- **Is the refrigerator not cooling?** For models with digital controls, turn the unit OFF then ON again to reset. See the “Using the Controls” section. If this does not correct the problem, call for service.

The lights do not work

- **Is the power supply cord unplugged?** Plug into a grounded 3 prong outlet.
- **Is a light bulb loose in the socket or burned out?** See the “Changing the Light Bulb(s)” section.
- **Has the door been open more than 10 minutes?** When the door is held open for more than 10 minutes, the “Door Open” indicator light will flash and the interior lights will shut off. See “Door Open” in the “Using the Controls” section.

There is water in the defrost drain pan

- **Is the refrigerator defrosting?** The water will evaporate. It is normal for water to drip into the defrost pan.
- **Is it more humid than normal?** When it is humid, expect that the water in the defrost pan will take longer to evaporate.

The motor seems to run too much

- **Is the room temperature hotter than normal?** The motor will run longer under warm conditions. At normal room temperatures, expect your motor to run about 80% of the time. Under warmer conditions, it will run even more.
 - **Has a large amount of food just been added to the refrigerator?** Adding a large amount of food warms the refrigerator. The motor normally will run longer to cool the refrigerator back down.
 - **Are the doors opened often?** The motor will run longer when this occurs. Conserve energy by getting all items out at one time, keeping food organized, and closing the door as soon as possible.
 - **Are the controls not set correctly for the surrounding conditions?** Refer to the “Using the Controls” section.
 - **Are the doors not closed completely?** Close the doors firmly. If they do not close completely, see “The doors will not close completely” later in this section.
 - **Are the condenser coils dirty?** This prevents air transfer and makes the motor work harder. Clean the condenser coils. Refer to the “Cleaning” section.
 - **Are the door gaskets not sealed all the way around?** Contact a technician or other qualified person.
- NOTE:** Your new refrigerator will run longer than your old one due to its high-efficiency motor.

The refrigerator seems to make too much noise

- **The sounds may be normal for your refrigerator.** See the “Normal Sounds” section.

The ice maker is not producing ice or not enough ice

- **Has the ice maker just been installed?** The ice bin holds 14 to 17 lbs. (6.4 to 7.7 kg) of ice. The ice bin can take three to four days to completely fill, if no ice is used during this time.
- **Is the freezer temperature cold enough to produce ice?** Wait 24 hours after ice maker hook-up for ice production. See the “Using the Controls” section.
- **Is the ice maker wire shutoff arm in the OFF (wire shutoff arm up) position (on some models)?** Lower wire shutoff arm to the ON (wire shutoff arm down) position. See the “Ice Maker and Storage Bin/Bucket” section.
- **Is the water line shutoff valve to the refrigerator not turned on?** Turn on the water valve. See the “Connect Water Line to Refrigerator” section in the Installation Instructions.
- **Is an ice cube jammed in the ice maker ejector arm?** Remove the ice from the ejector arm with a plastic utensil. See the “Ice Maker and Storage Bin/Bucket” section.
- **Does the ice maker mold have water in it or has no ice been produced?** Make sure your refrigerator has been connected to a water supply and the supply shutoff valve is turned on. See the “Connect Water Line to Refrigerator” section in the Installation Instructions.
- **Has a large amount of ice just been removed?** Allow three to four days for an empty ice bin to completely fill, if no ice is used during this time.
- **Are the controls set correctly?** See the “Using the Controls” section.

NOTE: If not due to any of the above, there may be a problem with the water line. Call for service.

Off-taste, odor or gray color in the ice

- **Are the plumbing connections new, causing discolored or off-flavored ice?** Discard the first few batches of ice.
- **Have the ice cubes been stored too long?** Throw old ice away and make a new supply.
- **Does the freezer and ice bin or bucket need to be cleaned?** See the “Cleaning” or “Ice Maker and Storage Bin/Bucket” section.
- **Has food in the freezer or refrigerator been wrapped properly?** Use airtight, moisture-proof packaging to help prevent odor transfer to stored food.
- **Does the water contain minerals (such as sulfur)?** A filter may need to be installed to remove the minerals.

The divider between the two compartments is warm

The warmth is probably due to normal operation of the automatic exterior moisture control. If still concerned, call for service.

Temperature is too warm

- **Are the air vents blocked in either compartment?** This prevents the movement of cold air from the freezer to the refrigerator. Remove any objects from in front of the air vents. See the “Ensuring Proper Air Circulation” section for the location of air vents.
- **Are the door(s) opened often?** The refrigerator will warm when this occurs. Keep the refrigerator cool by getting all items out at one time, keeping food organized, and closing the door as soon as possible.
- **Has a large amount of food just been added to the refrigerator or freezer?** Adding a large amount of food warms the refrigerator. It can take several hours for the refrigerator to return to the normal temperature.
- **Are the controls set correctly for the surrounding conditions?** See the “Using the Controls” section.
- **Is the refrigerator not cooling?** For models with digital controls, turn the unit OFF then ON again to reset. See the “Using the Controls” section. If this does not correct the problem, call for service.

There is interior moisture buildup

- **Are the air vents blocked in the refrigerator?** Remove any objects from in front of the air vents. See the “Ensuring Proper Air Circulation” section for the location of air vents.
- **Are the door(s) opened often?** Avoid humidity buildup by getting all items out at one time, keeping food organized, and closing the door as soon as possible.
- **Is the room humid?** It is normal for moisture to build up inside the refrigerator when the room air is humid.
- **Is the food packaged correctly?** Check that all food is securely wrapped. Wipe off damp food containers before placing in the refrigerator.
- **Are the controls set correctly for the surrounding conditions?** See the “Using the Controls” section.
- **Was a self-defrost cycle completed?** It is normal for droplets to form after the refrigerator self-defrosts.

The doors will not close completely

- **Are food packages blocking the door open?** Rearrange containers so that they fit more tightly and take up less space.
- **Is the ice bin or ice bucket out of position?** Push the ice bin in all the way. If the ice bin does not go in all the way, it may not be put in straight. Pull it out and try again. See the “Ice Maker and Storage Bin/Bucket” section.
- **Are the pans, shelves, bins, or baskets out of position?** Put the crisper cover and all pans, shelves, bins, and baskets back into their correct positions. See the “Crisper and Crisper Covers” section for more information.
- **Are the gaskets sticking?** Clean gaskets according to the directions in the “Cleaning” section.
- **Does the refrigerator wobble or seem unstable?** Level the refrigerator. See the “Adjust Doors” and “Level Refrigerator” sections in the Installation Instructions.

The doors are difficult to open

- **Are the gaskets dirty or sticky?** Clean gaskets according to the directions in the “Cleaning” section.

ASSISTANCE OR SERVICE

Before calling for assistance or service, please check “Troubleshooting.” It may save you the cost of a service call. If you still need help, follow the instructions below.

When calling, please know the purchase date and the complete model and serial number of your appliance. This information will help us to better respond to your request.

If you need replacement parts

If you need to order replacement parts, we recommend that you only use factory specified replacement parts. Factory specified replacement parts will fit right and work right because they are made with the same precision used to build every new KITCHENAID® appliance.

To locate factory specified replacement parts in your area, call our Customer Interaction Center telephone number or your nearest designated service center.

In the U.S.A.

Call the KitchenAid Customer Interaction Center toll free: **1-800-422-1230**.

Our consultants provide assistance with:

- Features and specifications on our full line of appliances.
- Installation information.
- Use and maintenance procedures.
- Accessory and repair parts sales.
- Specialized customer assistance (Spanish speaking, hearing impaired, limited vision, etc.).

WATER FILTER CERTIFICATIONS

State of California
Department of Health Services

Water Treatment Device
Certificate Number

98 - 1367

Date Issued: November 18, 1998

Trademark/Model Designation

Whirlpool WF-LC400

Replacement Elements

LC 400

Manufacturer: Whirlpool Corp.

The water treatment device(s) listed on this certificate have met the testing requirements pursuant to Section 116830 of the Health and Safety Code for the following health related contaminants:

Microbiological Contaminants and Turbidity

Cysts (protozoan)
Turbidity

Inorganic/Radiological Contaminants

Lead

Organic Contaminants

None

Rated Service Capacity: 400 gallons

Rated Service Flow: 0.5 gpm

Do not use where water is microbiologically unsafe or with water of unknown quality, except that systems claiming cyst reduction may be used on water containing cysts.

- Referrals to local dealers, repair parts distributors, and service companies. KitchenAid designated service technicians are trained to fulfill the product warranty and provide after-warranty service, anywhere in the United States.

To locate the KitchenAid designated service company in your area, you can also look in your telephone directory Yellow Pages.

For further assistance

If you need further assistance, you can write to KitchenAid with any questions or concerns at:

KitchenAid Brand Home Appliances
Customer Interaction Center
553 Benson Road
Benton Harbor, MI 49022-2692

Please include a daytime phone number in your correspondence.

In Canada

Call the KitchenAid Canada Customer Interaction Center toll free: **1-800-461-5681** Monday to Friday 8:00 a.m. - 6:00 p.m. (EST). Saturday 8:30 a.m. - 4:30 p.m. (EST).

Our consultants provide assistance with:

- Features and specifications on our full line of appliances.
- Referrals to local dealers.

For service in Canada

Call **1-800-807-6777**. KitchenAid Canada designated service technicians are trained to fulfill the product warranty and provide after-warranty service, anywhere in Canada.

For further assistance

If you need further assistance, you can write to KitchenAid Canada with any questions or concerns at:

KitchenAid Canada
Customer Interaction Center
1901 Minnesota Court
Mississauga, Ontario L5N 3A7

Please include a daytime phone number in your correspondence.

Accessories

To order accessories, call **1-800-442-9991** and ask for the appropriate part number listed below or contact your authorized KitchenAid dealer. In Canada, call **1-800-807-6777**.

Stainless Steel Cleaner & Polish

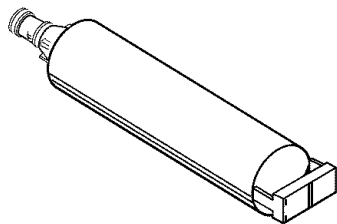
Order Part #8171420

Base grille water filter cartridges:

NOTE: Do not use with water that is microbiologically unsafe or of unknown quality without adequate disinfection before or after the system.

Standard Cartridge:

Order Part #4396164 (LC 400)



PRODUCT DATA SHEETS

Base Grille Water Filtration System Model WF-LC400/LC400



Tested and certified by NSF International against ANSI/NSF Standard 42 for the reduction of Chlorine (Class I) Taste and Odor and against ANSI/NSF Standard 53 for the reduction of Lead, Cysts and Turbidity.

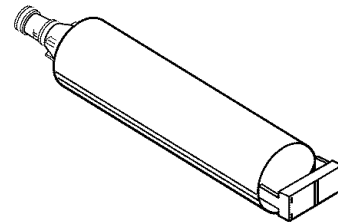
Capacity: 400 Gallons (1514 Liters)
Service Flow Rate: 0.5 GPM (1.89 L/min.) @ 60 psi.

| Substance Reduction | U.S. EPA MCL | Average Influent | Maximum Effluent | Average Effluent | Minimum % Reduction | Average % Reduction | NSF Test Number |
|-----------------------|--------------|------------------|------------------|------------------|---------------------|---------------------|-----------------|
| Aesthetic Effects | | | | | | | |
| Chlorine Taste/Odor | N/A | 2.0 mg/L | N/A | 0.04 mg/L | N/A | 98% | 994707 |
| Particulate | N/A | 610,000/mL* | N/A | 154/mL | N/A | 99% | 994711 |
| Contaminant Reduction | U.S. EPA MCL | Average Influent | Maximum Effluent | Average Effluent | Minimum % Reduction | Average % Reduction | NSF Test Number |
| Cyst | 99.95%** | 89,250/mL* | 6/mL | 2.3/mL | 99.993% | 99.997% | 994710 |
| Turbidity | 0.5 NTU | 29 NTU | 0.12 NTU | 0.09 NTU | 99.59% | 99.69% | 994710 |
| Lead: @ pH 6.5 | 0.015 mg/L | 0.16 mg/L*** | 0.001mg/L | 0.001 mg/L | 99.4% | 99.4% | 994708 |
| Lead: @ pH 8.5 | 0.015 mg/L | 0.16 mg/L*** | 0.002 mg/L | 0.001 mg/L | 98.8% | 99.4% | 994709 |

- It is essential that operational, maintenance, and filter replacement requirements be carried out for the product to perform as advertised.
- Model WF-LC400** The filter monitor system measures the amount of water that passes through the filter and alerts you to replace the filter. When 90% of the filter's rated life is used, the filter indicator light changes from green to yellow. When 100% of the filter's rated life is used, the filter indicator light changes from yellow to red, and it is recommended that you replace the filter. Use replacement cartridge LC400, part# 4396164. 2002 suggested retail price of \$39.95 U.S.A./\$49.95 Canada. Prices are subject to change without notice.
- The product is for cold water use only.
- Do not use with water that is microbiologically unsafe or of unknown quality without adequate disinfection before or after the system.**
- Refer to the front cover or "Assistance or Service" section for the Manufacturer's name, address and telephone number.
- Refer to the "Warranty" section for the Manufacturer's limited warranty.

Application Guidelines/Water Supply Parameters

| | |
|-------------------|-------------------------------|
| Water Supply | City or Well |
| Water Pressure | 30 - 120 psig (207 - 827 kPa) |
| Water Temperature | 33° - 100°F (0.6° - 37.8° C) |



* Test requirement is at least 100,000 particles/ml of AC Fine Test Dust.

** Cyst performance is % reduction based on NSF Standard 53.

*** Test requirement is 0.15 mg/L ± 10%. These contaminants are not necessarily in your water supply. Performance may vary based on local water conditions.

KITCHENAID® BUILT-IN REFRIGERATOR WARRANTY

TWO-YEAR FULL WARRANTY

For two years from the date of purchase, when this refrigerator (excluding the water filter cartridges) is operated and maintained according to instructions attached to or furnished with the product, KitchenAid will pay for factory specified replacement parts and repair labor costs to correct defects in materials or workmanship. Replacement parts and labor costs to correct defects in light bulbs, one year. Service must be provided by a KitchenAid designated service company.

Water filter cartridge: 30 day limited warranty on water filter. For 30 days from the date of purchase, when this filter is operated and maintained according to instructions attached to or furnished with the product, KitchenAid will pay for replacement parts to correct defects in materials and workmanship.

THIRD THROUGH SIXTH YEAR FULL WARRANTY ON SEALED REFRIGERATION SYSTEM PARTS AS LISTED

In the third through sixth years from the date of purchase, when this refrigerator is operated and maintained according to instructions attached to or furnished with the product, KitchenAid will pay for factory specified replacement parts and repair labor costs to correct defects in materials or workmanship in the sealed refrigeration system. These parts are: compressor, evaporator, condenser, dryer, and connecting tubing. Service must be performed by a KitchenAid designated service company.

SEVENTH THROUGH TWELFTH YEAR LIMITED WARRANTY ON SEALED REFRIGERATION SYSTEM

In the seventh through twelfth years from date of purchase, when this refrigerator is operated and maintained according to instructions attached to or furnished with the product, KitchenAid will pay for factory specified replacement parts to correct defects in materials or workmanship in the sealed refrigeration system. These parts are: compressor, evaporator, condenser, dryer, and connecting tubing.

LIFETIME LIMITED WARRANTY ON DOOR BINS

For the life of the product, when this refrigerator is operated and maintained according to instructions attached to or furnished with the product, KitchenAid will replace all Door Bins due to defective materials or workmanship.

KitchenAid will not pay for:

1. Service calls to correct the installation of your refrigerator, to instruct you how to use your refrigerator, to replace house fuses or correct house wiring or plumbing, to replace light bulbs, or to replace water filters other than as noted above.
 2. Repairs when your refrigerator is used in other than normal, single-family household use.
 3. Pickup and delivery. Your refrigerator is designed to be repaired in the home.
 4. Damage resulting from accident, alteration, misuse, abuse, fire, flood, improper installation, acts of God, or use of products not approved by KitchenAid or KitchenAid Canada.
 5. Any food or medicine loss due to product failure.
 6. Repairs to parts or systems resulting from unauthorized modifications made to the appliance.
 7. Removal and replacement of trim or decorative panels that interfere with servicing the product.
 8. Labor or parts installed by any non-designated service company during the full warranty period, unless approved by KitchenAid before service is performed.
 9. In Canada, travel or transportation expenses for customers who reside in remote areas.
 10. Any labor costs during the limited warranty periods.
-

KITCHENAID AND KITCHENAID CANADA SHALL NOT BE LIABLE FOR INCIDENTAL OR CONSEQUENTIAL DAMAGES.

Some states or provinces do not allow the exclusion or limitation of incidental or consequential damages, so this exclusion or limitation may not apply to you. This warranty gives you specific legal rights, and you may also have other rights which vary from state to state or province to province.

Outside the 50 United States and Canada, a different warranty may apply. Contact your authorized KitchenAid dealer to determine if another warranty applies.

If you need service, first see the "Troubleshooting" section of this book. After checking "Troubleshooting," additional help can be found by checking the "Assistance or Service" section or by calling the KitchenAid Customer Interaction Center, **1-800-422-1230** (toll-free), from anywhere in the U.S.A. In Canada, contact your designated KitchenAid Canada service company or call **1-800-807-6777**.

8/01

Keep this book and your sales slip together for future reference. You must provide proof of purchase or installation date for in-warranty service.

Write down the following information about your refrigerator to better help you obtain assistance or service if you ever need it. You will need to know your complete model number and serial number. You can find this information on the model and serial number label located on the inside wall of the refrigerator compartment.

Dealer name _____
Address _____
Phone number _____
Model number _____
Serial number _____
Purchase date _____

SEGURIDAD DEL REFRIGERADOR

Su seguridad y la seguridad de los demás es muy importante.

Hemos incluido muchos mensajes importantes de seguridad en este manual y en su electrodoméstico. Lea y obedezca siempre todos los mensajes de seguridad.



Este es el símbolo de advertencia de seguridad.

Este símbolo le llama la atención sobre peligros potenciales que pueden ocasionar la muerte o una lesión a usted y a los demás.

Todos los mensajes de seguridad irán a continuación del símbolo de advertencia de seguridad y de la palabra "PELIGRO" o "ADVERTENCIA". Estas palabras significan:

! PELIGRO

Si no sigue las instrucciones de inmediato, usted puede morir o sufrir una lesión grave.

! ADVERTENCIA

Si no sigue las instrucciones, usted puede morir o sufrir una lesión grave.

Todos los mensajes de seguridad le dirán el peligro potencial, le dirán cómo reducir las posibilidades de sufrir una lesión y lo que puede suceder si no se siguen las instrucciones.

INSTRUCCIONES IMPORTANTES DE SEGURIDAD

ADVERTENCIA: Para reducir el riesgo de incendio, choque eléctrico, o lesiones personales al usar su refrigerador siga estas precauciones básicas:

- No quite la terminal de conexión a tierra.
- No use un cable eléctrico de extensión.
- Desconecte el suministro de energía antes de darle servicio.
- Vuelva a colocar todos los paneles antes de ponerlo a funcionar.
- Remueva las puertas de su refrigerador viejo.
- Use un limpiador no inflamable.
- No use un adaptador.
- Mantenga los materiales y vapores inflamables, tales como gasolina, alejados del refrigerador.
- Use dos o más personas para mover e instalar el refrigerador.
- Desconecte el suministro de energía antes de instalar la fábrica de hielo (en aquellos modelos que incluyen el juego de instalación de la fábrica de hielo).
- Use un vaso resistente para recibir hielo o agua del despachador (en algunos modelos).
- Conecte a un contacto de pared de conexión a tierra de 3 terminales.

CONSERVAR ESTAS INSTRUCCIONES

Cómo deshacerse de su refrigerador viejo

! ADVERTENCIA

Peligro de Asfixia

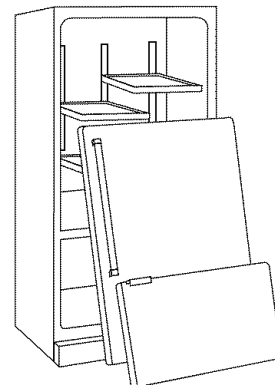
Remueva las puertas de su refrigerador viejo.

No seguir esta instrucción puede ocasionar la muerte o daño al cerebro.

IMPORTANTE: El atrapamiento y asfixia de niños no es un problema del pasado. Los refrigeradores tirados y abandonados son un peligro...aún si van a quedar ahí "por unos pocos días". Si Ud. está por deshacerse de su refrigerador viejo, por favor siga las instrucciones que se dan a continuación para prevenir accidentes.

Antes de tirar su refrigerador viejo o congelador:

- Saque las puertas.
- Deje los estantes en su lugar así los niños no pueden meterse adentro con facilidad.



ANTES DE USAR

Cómo quitar los materiales de empaque

- Quite las cintas y gomas de su refrigerador antes de ponerlo en marcha. Frote un poco de detergente líquido sobre el adhesivo con los dedos. Limpie con agua tibia y seque.
- No use instrumentos filosos, alcohol para fricciones, líquidos inflamables o limpiadores abrasivos para eliminar restos de cinta o goma. Estos productos pueden dañar la superficie de su refrigerador. Para más información, vea la sección “Seguridad del refrigerador”.

Cómo limpiar su refrigerador antes de usarlo

Una vez que usted haya quitado todos los materiales de empaque, limpie el interior de su refrigerador antes de usarlo. Vea las instrucciones de limpieza en la sección “Cuidado de su refrigerador”.

Información importante para saber acerca de los estantes y tapas de vidrio:

No limpie los estantes y tapas de vidrio con agua caliente mientras están fríos. Los estantes y tapas pueden romperse si se exponen a cambios bruscos de temperatura o impacto, como sería un golpe brusco. Para su protección, el vidrio templado se ha diseñado para hacerse añicos. Esto es normal. Los estantes y tapas de vidrio son muy pesados. Tenga mucho cuidado al sacarlos para evitar que se dañen al caer.

USO DE SU REFRIGERADOR

⚠ ADVERTENCIA



Peligro de Choque Eléctrico

Conecte a un contacto de pared de conexión a tierra de 3 terminales.

No quite el terminal de conexión a tierra.

No use un adaptador.

No use un cable eléctrico de extensión.

No seguir estas instrucciones puede ocasionar la muerte, incendio o choque eléctrico.

⚠ ADVERTENCIA



Peligro de Explosión

Mantenga los materiales y vapores inflamables, tales como gasolina, alejados del refrigerador.

No seguir esta instrucción puede ocasionar la muerte, explosión, o incendio.

Interruptor de Encendido/Apagado

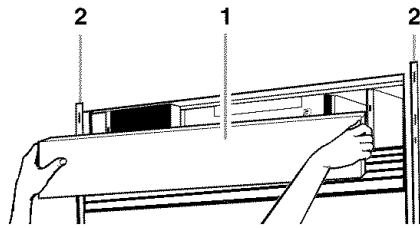
Si necesita encender (ON) o apagar (OFF) su refrigerador, deberá quitar el ensamblaje de la rejilla superior para poder alcanzar el interruptor de Encendido/Apagado. Cuando limpie el refrigerador o cambie los focos, póngalo en OFF (Apagado).

Modelos con paneles (en algunos modelos)

Para quitar la rejilla superior:

1. Tome ambos extremos de la ensambladura de la rejilla superior.

- Empuje la ensambladura de la rejilla superior hacia arriba y luego tire directamente hacia afuera. Coloque la ensambladura de la rejilla sobre una superficie blanda.



1. Rejilla superior
2. Adornos laterales del gabinete

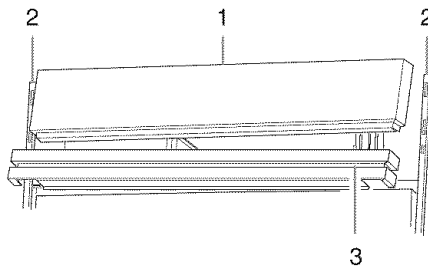
Para volver a colocar la rejilla superior:

- Inserte los ganchos de la rejilla superior (ubicados en la parte trasera de la rejilla superior) en las ranuras que están en el adorno lateral.
- Empuje la rejilla ligeramente hacia abajo para que encaje en su lugar.

Modelos con puertas envoltentes (en algunos modelos)

Para quitar la rejilla superior:

- Tome ambos extremos del panel de celosía. Empuje el panel de celosía hacia arriba y luego tire directamente hacia afuera. Coloque el panel de celosía sobre una superficie de trabajo blanda.
- Tome ambos extremos de la rejilla superior. Empuje la rejilla superior hacia arriba y luego tire directamente hacia afuera. Coloque el panel de celosía sobre una superficie de trabajo blanda.



1. Rejilla superior
2. Adorno lateral del gabinete
3. Panel de celosía

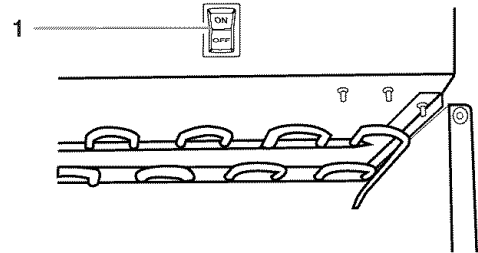
Para volver a colocar la rejilla superior:

- Inserte los ganchos de la rejilla superior (ubicados en la parte trasera de la rejilla superior) en las ranuras que están en el adorno lateral. Empuje la rejilla ligeramente hacia abajo para que encaje en su lugar.
- Inserte los ganchos del panel de celosía (ubicados en la parte trasera del panel de celosía) en las ranuras que están en el adorno lateral. Empuje el panel ligeramente hacia abajo para que encaje en su lugar.

Para encender o apagar:

- Quite la rejilla superior.
- Presione el interruptor principal de suministro a la posición ON u OFF (Encendido o Apagado).
- Vuelva a colocar la rejilla superior.

IMPORTANTE: Cerciórese de que el interruptor de suministro esté en la posición ON después de limpiar el refrigerador o de cambiar los focos.



1. Interruptor de Encendido/Apagado

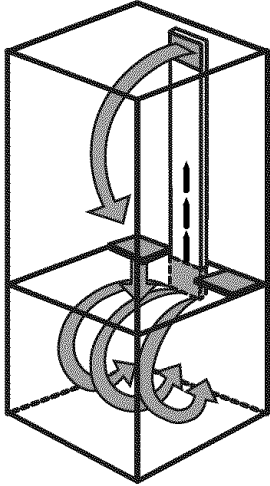
Sonidos normales

Su nuevo refrigerador puede hacer ruidos que su viejo refrigerador no hacía. Como estos sonidos son nuevos para Ud., puede ser que se preocupe. La mayoría de los sonidos nuevos son normales. Superficies duras, como el piso, las paredes y los gabinetes, pueden hacer que los sonidos parezcan más fuertes de lo que son en realidad. A continuación se describen los tipos de sonidos y qué puede causarlos.

- Si su producto está equipado con una fábrica de hielo, Ud. escuchará un zumbido cuando la válvula de agua se abre para llenar la fábrica de hielo en cada ciclo.
- Su refrigerador está diseñado para funcionar con más eficiencia para conservar sus alimentos a la temperatura deseada y para minimizar el uso de energía. El compresor de alta eficiencia y los ventiladores pueden causar que su nuevo refrigerador funcione por períodos de tiempo más largos que su refrigerador viejo y Ud. puede escuchar un sonido pulsante o agudo que proviene del compresor o de los ventiladores que se ajustan para un rendimiento óptimo.
- Puede ser que Ud. escuche el motor del ventilador del evaporador circulando el aire a través de los compartimientos del refrigerador y del congelador. Es posible que aumente la velocidad del ventilador cuando usted abra la puerta o agregue alimentos calientes.
- Las vibraciones pueden producirse por el flujo de líquido refrigerante, tubería de agua o artículos guardados arriba del refrigerador.
- El agua que gotea en el calentador del descongelador durante el ciclo de descongelación puede causar chisporroteos.
- Al final de cada ciclo, Ud. puede escuchar un gorgoteo debido al flujo de líquido refrigerante en su refrigerador.
- La contracción y expansión de las paredes internas pueden causar un ligero estallido.
- Ud. puede escuchar aire forzado por el ventilador del condensador sobre el condensador.
- Ud. puede escuchar agua corriendo hacia la bandeja recolectora durante el ciclo de descongelación.

Cómo asegurar la debida circulación del aire

Para asegurar la temperatura correcta, debe permitir que el aire fluya entre las secciones del refrigerador y del congelador. Como se indica en la ilustración, el aire frío entra en la sección del congelador por orificios de ventilación en la parte trasera y superior. El aire fluye por la sección del congelador y circula de nuevo por debajo del piso del congelador. El aire frío entra en la sección del refrigerador por la parte superior, luego fluye hacia abajo y a través los estantes hasta las puertas, y circula de nuevo a los orificios de ventilación de regreso en la parte superior.



No bloquee ninguno de estos orificios de ventilación con paquetes de alimentos. Si estos orificios están bloqueados, el aire no circulará y podrían ocasionarse problemas de temperatura y humedad.

IMPORTANTE: Debido a que el aire circula entre ambas secciones, los olores que se formen en una sección pasarán a la otra. Para eliminar los olores, limpie completamente ambas secciones. Para evitar que los olores pasen de una sección a otra o que los alimentos se sequen, envuelva o cubra bien los alimentos.

Uso de los controles

Controles digitales

IMPORTANTE:

- El Control del refrigerador regula la temperatura del compartimiento del refrigerador. El Control del congelador regula la temperatura del compartimiento del congelador.
- Espere 24 horas después de conectar el refrigerador antes de colocar alimentos en él. Si agrega alimentos antes de que el refrigerador se haya enfriado por completo, sus alimentos podrían echarse a perder.

NOTA: El regular los Controles del refrigerador y del congelador a un ajuste más bajo (frío) no va a enfriar los compartimientos con más rapidez.

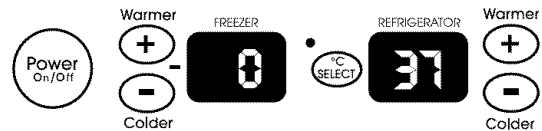
- Si la temperatura está demasiado caliente o demasiado fría en el refrigerador o en el congelador, antes de regular los controles, revise primero los conductos de ventilación para cerciorarse de que no estén obstruidos.
- Los ajustes prefijados deben ser los correctos para el uso doméstico normal. Los controles están debidamente fijados cuando la leche o los jugos están tan fríos como a usted le gusta y cuando el helado está firme.

Para su conveniencia, los controles vienen prefijados de fábrica. Al instalar su refrigerador, asegúrese de que los controles estén aún prefijados en los "ajustes medios" tal como se ilustra. El panel de control digital está ubicado en la parte superior del compartimiento del refrigerador.

NOTA: Los puntos de ajuste recomendados de fábrica son 0°F (-18°C) para el congelador y 37°F (3°C) para el refrigerador.

Para conectar el refrigerador y ver los puntos de ajuste:

- Presione y sostenga Power ON/OFF 2 segundos.



NOTA: Después de haber encendido el refrigerador, la alarma auditiva de Over Temperature (temperatura excesiva) y la luz indicadora se activarán cada 1 ½ horas hasta que la temperatura del refrigerador y del congelador sean de menos de 48°F (9°C) y 15°F (-9°C) respectivamente. Para apagar la alarma y la luz indicadora, presione OVER TEMPERATURE RESET (Restablecimiento de temperatura excesiva). (Vea la sección "Over Temperature Reset (Restablecimiento de temperatura excesiva)").

Para ver las temperaturas en centígrados:

- Presione el botón °C SELECT (Seleccionar °C). El indicador negativo (-) se encenderá. Para volver a mostrar grados Fahrenheit presione de nuevo °C SELECT.



NOTA: Si la temperatura del congelador está bajo cero, la luz indicadora con el signo negativo adyacente a la pantalla del congelador se encenderá. Esto es normal.

Ajuste de los controles digitales

NOTA: Espere por lo menos 24 horas entre ajustes. Vuelva a verificar las temperaturas antes de realizar otros ajustes.

Para regular temperaturas de punto de ajuste:

- Presione el botón del refrigerador o del congelador hacia MÁS (+) o MENOS (-) hasta llegar a la temperatura deseada.



NOTA: El margen del punto de ajuste para el congelador es de -9°F a 9°F (de -23°C a -13°C) y de 32°F a 46°F (de 0°C a 8°C) para el refrigerador.

| CONDICIÓN/MOTIVO: | REGULACIÓN DE LA TEMPERATURA: |
|--|--------------------------------------|
| REFRIGERADOR demasiado frío No están fijados de acuerdo a las condiciones ambientales | Control del REFRIGERADOR 1° más alto |
| REFRIGERADOR demasiado caliente Mucho uso o temperatura ambiental muy caliente | Control del REFRIGERADOR 1° más bajo |
| CONGELADOR demasiado frío No están fijados de acuerdo a las condiciones ambientales | Control del CONGELADOR 1° más alto |
| CONGELADOR demasiado caliente/muy poco hielo Mucho uso o alto consumo de hielo | Control del CONGELADOR 1° más bajo |

Funciones adicionales del Panel de control digital

Las funciones adicionales están ubicadas en el panel de control en la parte superior del compartimiento del refrigerador.

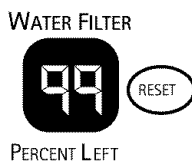
Estado del FILTRO DE AGUA y Reajuste

NOTA: No se debe usar con agua que presente peligros microbiológicos o de calidad desconocida sin la debida desinfección antes o después del sistema.

La pantalla del filtro de agua le indicará cuándo deberá cambiar el filtro. Para cambiar el filtro, vea la sección "Sistema de filtrado de agua".

| INDICADOR: | ESTADO: |
|--------------------------------|---------------------------|
| 99 por ciento | Nuevo filtro instalado |
| 10 por ciento | Pedir filtro de reemplazo |
| 0 por ciento o flujo disminuye | Reemplazar el filtro |

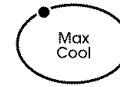
- Después de reemplazar el filtro del agua, presione RESET y sosténgalo 2 segundos para cambiar la pantalla del filtro de agua a 99 por ciento.



Max Cool (Frío máximo)

La característica Max Cool ayuda en períodos de gran demanda de hielo, cargas de comestibles muy pesadas o temperaturas ambientales sumamente elevadas temporalmente.

- Presione MAX COOL para activar la característica de frío máximo. La luz indicadora permanecerá encendida durante 24 horas a no ser que se apague manualmente.



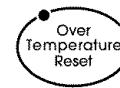
NOTA: El indicador de temperatura no cambiará. Después de 24 horas, el refrigerador vuelve a los ajustes predeterminados.

Over Temperature Reset (Restablecimiento de temperatura excesiva)

La característica Over Temperature se ha concebido para advertirle ya sea que la temperatura del refrigerador sobrepasa los 48°F (9°C) o la temperatura del congelador ascendió por arriba de 15°F (-9°C) durante más de 1 hora y media. Cuando la temperatura se normaliza, se apagará automáticamente la alarma sonora, pero la luz indicadora seguirá parpadeando para informarle que hubo un incidente de temperatura excesiva.

IMPORTANTE: Si se activa la alarma de Over Temperature, es posible que se echen a perder los alimentos. Si desea más información, consulte la sección "Cortes de corriente" y evite en lo posible abrir y cerrar las puertas hasta que la temperatura regrese a lo normal.

- Presione OVER TEMPERATURE RESET (Restablecimiento de temperatura excesiva) para apagar la alarma sonora y la luz indicadora parpadeante.



- La característica Over Temperature seguirá activándose cada hora y media hasta que las temperaturas del refrigerador y del congelador desciendan a menos de 48°F (9°C) y 15°F (-9°C) respectivamente.

Holiday Mode (Modo de día de fiesta)

La característica Holiday Mode se ha concebido para aquellos viajeros que desean ahorrar energía adicional o para aquellas personas que debido a sus creencias religiosas necesitan que se apaguen las lámparas y la fábrica de hielo. Al seleccionar esta característica se conservan los ajustes predeterminados de temperatura pero la fábrica de hielo se desactiva y las luces interiores se apagan.

- Para activar el modo de día de fiestas, presione HOLIDAY MODE. Esta característica continuará activada hasta que la tecla Holiday Mode se presione nuevamente.



NOTA: Si antes de activar la característica Holiday Mode se activó la característica Max Cool (Frío máximo), entonces los ajustes predeterminados seguirán en 32°F (0°C) y -10°F (-23°C) para los compartimientos del refrigerador y el congelador hasta que el tiempo de ejecución de la característica Max Cool se agote. Entonces, el refrigerador volverá a los ajustes predeterminados.

Call Service (Solicite servicio)

Si la luz Call Service está parpadeando, solicite un servicio. Para más información acerca de como solicitar servicio, consulte la sección "Ayuda o servicio técnico".



Door Open (Puerta abierta)

La luz indicadora Door Open parpadeará, sonará una alarma y las luces interiores se apagarán si la puerta del refrigerador permaneciera abierta por más de 10 minutos. Al cerrar la puerta, la alarma sonora se restablece y se apaga, pero el indicador Door Open seguirá parpadearando hasta que la temperatura iguale o descienda de los 45°F (7°C) y 15°F (-9°C) respectivamente para los compartimientos del refrigerador y el congelador. La alarma sonora Door Open se puede restablecer presionando OVER TEMPERATURE RESET.

- Door Open

CARACTERÍSTICAS DEL REFRIGERADOR

Sistema de filtrado de agua

La luz de estado del filtro de agua de la rejilla de la base

La pantalla o luz de estado del filtro de agua le indicará cuándo deberá cambiar el cartucho del filtro de agua. La pantalla o luz está ubicada en la parte superior del compartimiento del refrigerador.

NOTA: No lo use con agua que no sea microbiológicamente segura o que sea de calidad desconocida sin desinfectarla adecuadamente antes o después del sistema.

Un filtro de agua nuevo debe mostrar un estado de 99% y continuará disminuyendo a medida que se usa el filtro. Cuando el estado de la pantalla sea de 10%, esto indica que ha llegado la hora de pedir un filtro de reemplazo. Se recomienda reemplazar el cartucho del filtro de agua de la rejilla de la base cuando la luz indicadora del filtro de agua cambie a 0% O cuando el flujo de agua al despachador de agua o a la fábrica de hielo disminuya visiblemente. (Vea “Cómo cambiar el filtro de la rejilla de la base”, más adelante en esta sección).

WATER FILTER



PERCENT LEFT

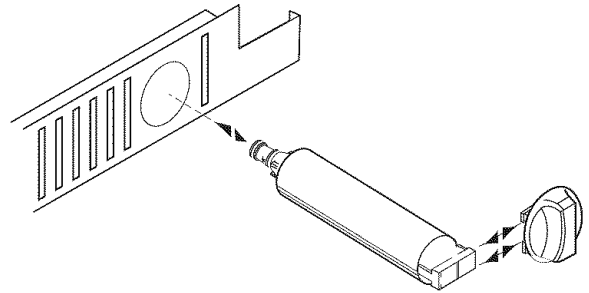
Después de cambiar el cartucho del filtro de agua, reajuste el indicador del filtro de agua al presionar y sostener RESET (Reajustar) 2 segundos. La luz indicadora cambiará a 99% una vez que se haya reajustado el indicador del filtro.

Cómo cambiar el filtro de la rejilla de la base

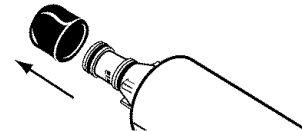
1. Localice la tapa del cartucho del filtro de agua en el frente de la rejilla de la base. Gire la tapa en dirección contraria a las manecillas del reloj hasta la posición vertical y jale la tapa y el cartucho del filtro hasta sacarlos por la rejilla de la base.

NOTA: Siempre queda agua en el cartucho. Es posible que se derrame un poco de esa agua.

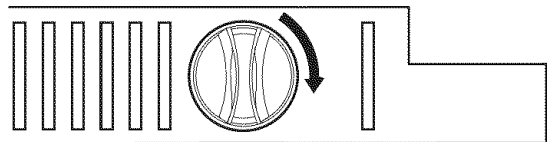
2. Quite la tapa del cartucho deslizando la del extremo del cartucho viejo. La tapa del cartucho se deslizará a la izquierda o a la derecha. **NO DESCARTE LA TAPA.**



3. Saque el cartucho nuevo de su empaque y quite la cubierta protectora de los anillos O.



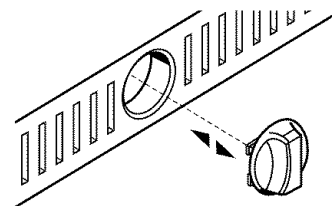
4. Deslice la tapa del cartucho sobre el cartucho nuevo. Vea la ilustración en el Paso 2.
5. Con la tapa del cartucho en posición vertical, empuje el cartucho nuevo dentro de la rejilla de la base hasta que se detenga. Gire la tapa del cartucho en dirección de las manecillas del reloj hasta la posición horizontal. Deshágase de las tres primeras tandas de hielo producidas después de reemplazar el filtro.



Uso de la fábrica de hielo sin el filtro de agua

Puede usar la fábrica de hielo sin un cartucho de filtro de agua. El hielo no estará filtrado.

1. Quite el cartucho del filtro de agua de la rejilla de la base.
2. Deslice la tapa del cartucho del extremo del cartucho del filtro. **NO DESCARTE LA TAPA.** Con la tapa del cartucho en la posición vertical, inserte la tapa en la rejilla de la base hasta que se detenga.



3. Gire la tapa del cartucho hasta llegar a la posición horizontal. La tapa del cartucho puede no estar alineada con la rejilla de la base.

Estantes del refrigerador

Información importante para saber acerca de los estantes y tapas de vidrio:

No limpie los estantes y tapas de vidrio con agua caliente mientras están fríos. Los estantes y tapas pueden romperse si se exponen a cambios bruscos de temperatura o impacto, como sería un golpe brusco. Para su protección, el vidrio templado se ha diseñado para hacerse añicos. Esto es normal. Los estantes y tapas de vidrio son muy pesados. Tenga mucho cuidado al sacarlos para evitar que se dañen al caer.

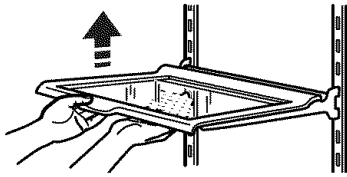
Los estantes de su refrigerador son ajustables para adaptarlos a sus necesidades individuales de almacenamiento.

Si usted guarda alimentos similares juntos y ajusta los estantes para que se adapten a las diferentes alturas de los artículos, le será muy fácil encontrar exactamente el artículo que desea. Asimismo, de esa forma se reduce el tiempo que el refrigerador permanece abierto y se ahorra electricidad.

Estantes y marcos de los estantes

Para quitar y volver a colocar un estante/marco:

1. Quite el estante/marco inclinandolo por el frente y levantándolo fuera de los soportes del estante. Jale el estante directamente hacia fuera.
2. Vuelva a colocar el estante/marco guiando los ganchos posteriores del estante dentro de los soportes del estante. Incline el frente del estante hacia arriba hasta que los ganchos posteriores del estante caigan dentro de los soportes del estante.
3. Baje el frente del estante y verifique que el estante esté seguro en su lugar.



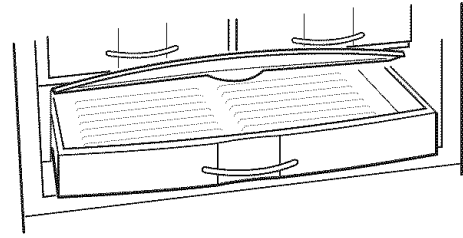
Cajón para carnes frías

El cajón para carnes frías está diseñado para proporcionar temperaturas de almacenamiento más bajas que la temperatura media del refrigerador. El aire en el cajón puede ser ajustado al rango de temperatura de almacenamiento recomendada por la organización National Livestock and Meat Board de 28° a 32°F (-2° a 0°C) para carnes frescas. También es lo suficientemente grande como para almacenar bandejas grandes de fiesta.

Para quitar y volver a colocar el cajón para carnes frías:

1. Quite el cajón para carnes frías rodándolo hacia afuera hasta que se detenga. Levante ligeramente la parte delantera. Jale el cajón para carnes frías hacia afuera completamente.

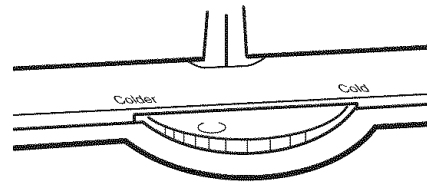
2. Vuelva a colocarlo colocando los rodillos entre el rodillo frontal del riel y el riel. Empuje el cajón para carnes frías hacia arriba y dentro del riel. Deslicelo hacia atrás hasta que se detenga.



Control de temperatura del cajón para carnes frías

El control del cajón para carnes frías ajusta la temperatura de almacenamiento en el cajón. El aire frío fluye dentro del cajón por el conducto de aire entre el refrigerador y el congelador. Al ajustar el control se permite un caudal mayor o menor de aire frío a través del conducto. Ajuste el control a "COLD" para cerrar el conducto de aire.

IMPORTANTE: Si los alimentos se empiezan a congelar en el cajón para carnes frías, de uso general o para verduras, mueva el control de temperatura del cajón para carnes frías a "COLD" (Frío).



Guía para la conservación de carnes

Guarde la mayoría de las carnes en su envoltura original siempre y cuando sea hermética y a prueba de humedad. Vuelva a envolverlas si fuera necesario. Consulte el cuadro siguiente respecto a los períodos de conservación. Para guardar la carne por un tiempo más prolongado que los períodos indicados, congélela.

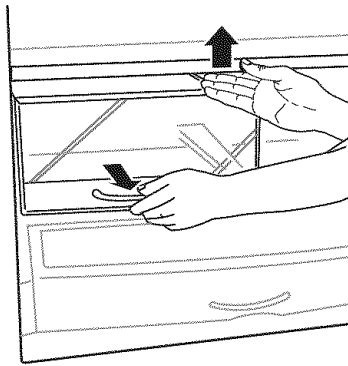
Pescado fresco o mariscos..... mismo día de su compra
Pollo, carne de res molida,
carnes varias (hígado, etc.) 1 - 2 días
Carnes frías, filetes/asados 3 - 5 días
Carnes curadas 7 - 10 días
Sobras - Cubra las sobras con papel plástico, o papel de aluminio o guárdelas en recipientes de plástico con tapas herméticas.

Cajones para verduras y tapas

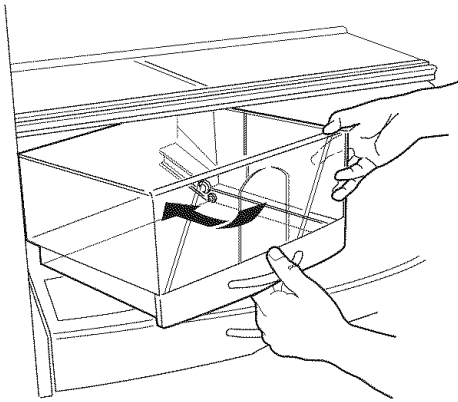
Para quitar y volver a colocar el cajón para verduras o el cajón utilitario:

1. Quite el contenido del cajón.
2. Usando la manija, deslice el cajón para verduras directamente hacia fuera hasta el tope.

- Levantando la tapa del cajón para verduras ligeramente, quite el rodillo del cajón para verduras del riel en la pared lateral y tire del cajón hacia fuera en un ángulo para quitar el rodillo del cajón para verduras que se encuentra detrás del rodillo grande en el riel del soporte central.

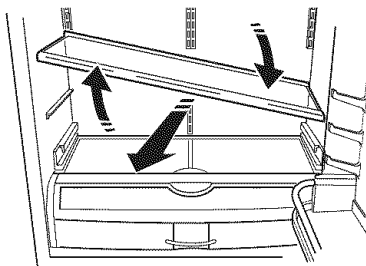


- Vuelva a colocar el cajón para verduras levantando ligeramente la tapa del mismo e insertando el rodillo del cajón a un ángulo detrás del rodillo grande en el riel de soporte central; luego introduzca el otro rodillo del cajón en el riel de la pared lateral. Desclice el cajón completamente hacia adentro.



Para quitar y volver a colocar las tapas de los cajones para verduras:

- Quite los alimentos de la tapa del cajón para verduras. Jale ambos cajones para verduras hacia afuera aproximadamente 4 pulg. (10,16 cm). Busque debajo del estante de vidrio con ambas manos y levante ligeramente hacia arriba hasta que la parte trasera del estante se libere. Incline el estante hacia un ángulo y quítelo del refrigerador, teniendo cuidado de no golpear el vidrio.
- Vuelva a colocar la tapa del cajón para verduras sosteniendo el estante de vidrio firmemente con ambas manos, incline el estante hacia un ángulo y ubíquelo por encima de los rieles del soporte. Coloque el estante cuidadosamente sobre los rieles del soporte en la pared lateral.



Control de humedad del cajón para verduras

Usted puede controlar el nivel de humedad en el cajón hermético para verduras. Los controles de los cajones se encuentran al frente de los mismos. Regule el control a cualquier ajuste entre Bajo (LOW) y Alto (HIGH).

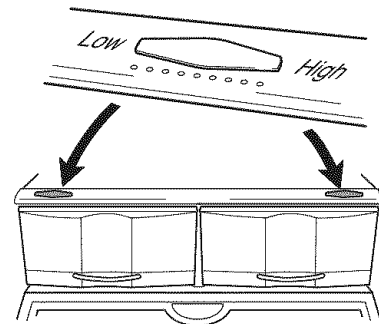
LOW (abierto) deja que el aire húmedo salga del cajón para verduras, y es el más adecuado para conservar las frutas y verduras con cáscara.

- Frutas: Lávelas, déjalas secar y guárdelas en el refrigerador en bolsas de plástico o en el cajón para verduras. No lave ni pele las moras sino en el momento de usarlas. Separe y guarde las moras en su recipiente original en el cajón para verduras, o guárdelas en una bolsa de papel cerrada sin apretar en un estante del refrigerador.
- Verduras con cáscaras: Colóquelas en bolsas de plástico o recipientes de plástico y guárdelas en el cajón para verduras.

HIGH (cerrado) mantiene el aire húmedo en el cajón para verduras, y es el más adecuado para conservar las verduras frescas de hoja.

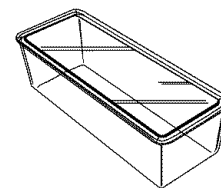
- Verduras de hoja: Lávelas con agua fría, escúrralas y deshágase de las partes magulladas o amarillentas. Colóquelas en una bolsa de plástico o en un recipiente de plástico y guárdelas en el cajón para verduras.

Ubicación de los controles de humedad:



Compartimiento de uso general con tapa

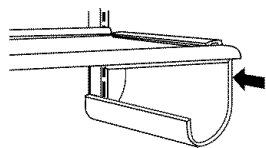
NOTA: Para almacenamiento a largo plazo, guarde los huevos en un recipiente con tapa o en su recipiente original en un estante interior.



Portabotellas

Para quitar y volver a colocar el portabotellas:

1. Quite el portabotellas jalándolo directamente hacia afuera del estante.
2. Vuelva a colocar el portabotellas deslizándolo entre el estante y la pared del refrigerador.



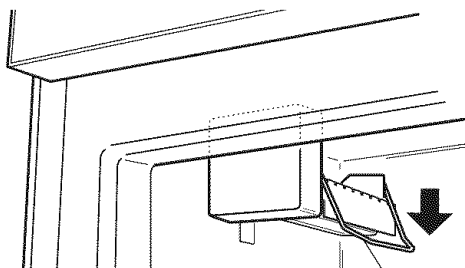
CARACTERÍSTICAS DEL CONGELADOR

Fábrica de hielo y depósito/balde de almacenamiento

Cómo encender y apagar la fábrica de hielo:

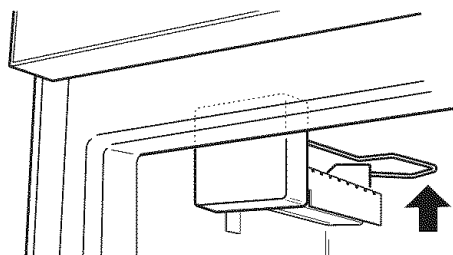
El interruptor de encendido/apagado de la fábrica de hielo es un brazo interruptor de alambre, ubicado a un lado de la fábrica de hielo.

1. Para encender la fábrica de hielo, simplemente baje el brazo de control de alambre.



NOTA: Su fábrica de hielo tiene un interruptor automático. A medida que se va fabricando el hielo, los cubos de hielo van llenando el recipiente de hielo y los mismos cubos van elevando el brazo interruptor de alambre hasta la posición de OFF (Apagado) (brazo hacia arriba).

2. Para apagar manualmente la fábrica de hielo, levante el brazo interruptor de alambre a la posición OFF (brazo hacia arriba), hasta que escuche el clic para cerciorarse que la fábrica de hielo se ha apagado.



Cómo incrementar la producción de hielo:

- Durante la producción normal de hielo, la fábrica de hielo producirá de 7 a 9 lotes de hielo en un período de 24 horas. Si no se está fabricando el hielo a la velocidad deseada, gire el control del congelador hacia un número más alto (más frío). Deje pasar 24 horas entre cada incremento.

Cuidado del depósito de hielo:

1. Vacíe el depósito de hielo. Si es necesario, use agua tibia para derretir el hielo.
NOTA: Nunca use un objeto filoso para romper el hielo en el depósito. Esto puede dañar el recipiente de hielo y el mecanismo del despachador.
2. Lave el depósito de hielo con un detergente suave, enjuague bien y seque meticulosamente. No use limpiadores abrasivos o solventes.

RECUERDE:

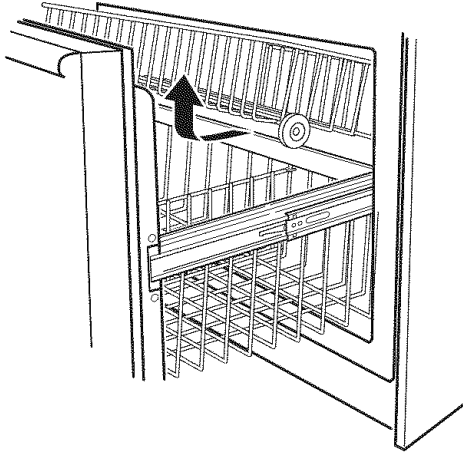
- Deje transcurrir 24 horas para la producción de la primera tanda de hielo.
- Deshágase de las tres primeras tandas de hielo producidas para evitar las impurezas que pudieran eliminarse del sistema.
- La calidad del hielo dependerá de la calidad del agua que suministre a su fábrica de hielo.
- Evite la conexión de su fábrica de hielo a un suministro de agua blanda. Los químicos para ablandar el agua (como la sal) pueden dañar ciertos componentes de la fábrica de hielo y producir un hielo de muy baja calidad. Si no se puede evitar el uso de un suministro de agua blanda, asegúrese de que el ablandador de agua esté funcionando correctamente y que goce de un buen mantenimiento.
- Es normal que los cubitos de hielo se peguen en las esquinas. Se separarán con facilidad.
- No fuerce el brazo de control de alambre hacia arriba o hacia abajo.
- No guarde nada encima de la fábrica de hielo o en el depósito de almacenamiento de hielo.
- El depósito de hielo puede demorar de tres a cuatro días para llenarse completamente, si no se usa hielo.

Canastilla removible del congelador

La canastilla del congelador se puede utilizar para guardar bolsas de frutas y verduras congeladas que pudieran caerse de las parrillas del congelador.

Para quitar y volver a colocar la canastilla del congelador:

1. Apague la fábrica de hielo. Quite la canastilla del congelador.
2. Levante la canastilla y deslícela hacia afuera totalmente.



3. Vuelva a colocar la canastilla colocando la parte trasera en los rieles del estante. Baje la parte frontal de la canastilla.
4. Ponga en marcha la fábrica de hielo.

Guía para la conservación de alimentos congelados

Los periodos de conservación variarán según la calidad y el tipo de alimentos, el tipo de embalaje o envoltura empleada (deberá ser hermético y a prueba de humedad), y la temperatura de conservación. Es normal que hayan cristales de hielo dentro de un paquete sellado. Esto simplemente indica que humedad y aire dentro del paquete se han condensado, creando cristales de hielo.

No coloque en el congelador más alimentos sin congelar de los que puedan congelarse en 24 horas (no más de 2 a 3 libras de alimentos por pie cúbico [907 a 1,350 g por L] de espacio en el congelador). Deje suficiente espacio en el congelador para la circulación de aire entre los paquetes. Tenga cuidado de dejar suficiente espacio para que la puerta pueda cerrarse herméticamente.

Para obtener más información respecto a la preparación de alimentos para su congelación, consulte una guía de congeladores o un buen libro de cocina.

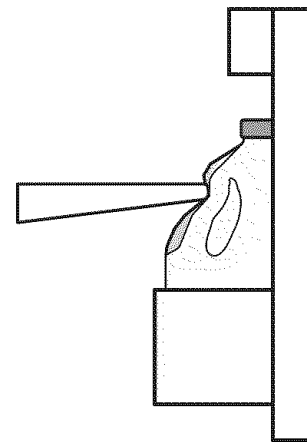
CARACTERÍSTICAS DE LA PUERTA

Recipientes de la puerta

Los dos recipientes superiores de la puerta dan cabida a botellas de 2 litros y son ajustables. El recipiente inferior de la puerta está fijo y puede contener recipientes de un galón.

Recipiente de puerta de un galón

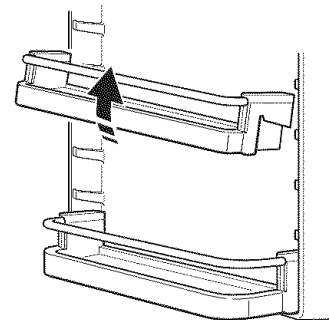
NOTA: No coloque un estante interior directamente frente a un recipiente de un galón, como se muestra a continuación. Tanto el recipiente de un galón como su contenido pueden impedir que la puerta del refrigerador cierre, así como causar daños a los recipientes y a los estantes.



Recipientes de las puertas

Cómo quitar y reponer los recipientes de las puertas:

1. Quite el recipiente levantándolo hacia arriba y tirando hacia fuera.
2. Reponga el recipiente insertando los ganchos en las ranuras a ambos lados de la puerta del refrigerador. Presione hacia abajo en el recipiente para asegurarlo en su sitio.



CUIDADO DE SU REFRIGERADOR

Limpieza

ADVERTENCIA



Peligro de Explosión

Use un limpiador no inflamable.

No seguir esta instrucción puede ocasionar la muerte, explosión o incendio.

Tanto la sección del refrigerador como la del congelador se descongelan automáticamente. No obstante, limpie ambas secciones más o menos una vez al mes para evitar la acumulación de olores. Limpie los derrames de inmediato.

Para limpiar su refrigerador:

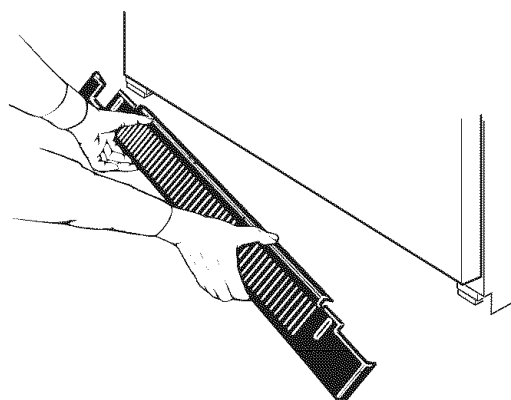
1. Quite la rejilla superior, vea la sección "Interruptor de Encendido/Apagado".
2. Presione el interruptor de suministro en la posición OFF (Apagado).
3. Quite todas las partes desmontables del interior, tales como estantes, compartimientos para verduras, etc.
4. Lave a mano, enjuague y seque todas las partes desmontables y las superficies interiores meticulosamente. Use una esponja limpia o un paño suave y un detergente suave con agua tibia.
 - No use productos de limpieza abrasivos o ásperos, como aerosoles para ventanas, productos de limpieza para pulir, líquidos inflamables, ceras para limpieza, detergentes concentrados, blanqueadores o productos de limpieza que contengan productos de petróleo en las partes de plástico, revestimientos de la puerta o juntas. No use toallas de papel, estropajos para fregar u otros utensilios de limpieza ásperos. Estos pueden rayar o dañar los materiales.
 - Para ayudar a eliminar olores, puede lavar las paredes interiores con una mezcla de agua tibia y bicarbonato de sodio (2 cucharadas en un cuarto de galón [26 g en 0,95 L] de agua).
5. Lave las superficies externas pintadas y de acero inoxidable con una esponja limpia o un paño suave y detergente suave con agua tibia. No use productos de limpieza abrasivos o ásperos. Seque meticulosamente con un paño suave. Para obtener una protección adicional contra daños a las superficies exteriores metálicas pintadas, aplique cera para electrodomésticos (o cera en pasta para autos) con un paño limpio y suave. No encere las partes de plástico.

NOTA: Para mantener como nuevo su refrigerador de Acero Inoxidable y para quitar marcas o rayaduras, es sugerible usar un limpiador de Acero Inoxidable aprobado por el fabricante.

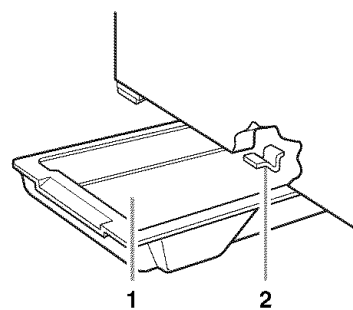
IMPORTANTE: ¡Este limpiador es sólo para partes de acero inoxidable!

No permita que el limpiador para acero inoxidable entre en contacto con ninguna parte de plástico tales como las piezas decorativas, las tapas del despachador o las empaquetaduras de la puerta. Si se produce contacto accidental, limpie la pieza de plástico con una esponja y detergente suave en agua tibia. Seque meticulosamente con un paño suave. Para ordenar el limpiador, vea la sección "Accesorios".

6. Limpie los serpentines del condensador que se encuentren detrás de la rejilla superior de ventilación regularmente. Quizás necesite limpiar los serpentines cada dos meses. Esto le puede ayudar a ahorrar energía.
 - Use una aspiradora con extensión para limpiar los serpentines del condensador siempre que estén sucios o polvorientos.
7. Limpie la bandeja recolectora de agua con un detergente suave en agua tibia. Seque meticulosamente.
 - Quite la rejilla de la base removiendo un tornillo de cada esquina.



- Quite la bandeja recolectora de agua empujando hacia arriba el sujetador de retención debajo del refrigerador mientras desliza hacia adelante la bandeja.



1. Bandeja recolectora de agua
2. Sujetador de retención

- Vuelva a colocar la bandeja recolectora de agua colocando el borde de la misma a 7 pulg. (17,8 cm) aproximadamente del lado izquierdo del refrigerador. Levante la bandeja recolectora sobre las guías, empuje hacia atrás y coloque la bandeja dentro del sujetador de retención. Vuelva a colocar la rejilla de la base y los tornillos de la misma.
8. Presione el interruptor de suministro en la posición ON (Encendido).
 9. Vuelva a colocar la rejilla superior, vea la sección "Interruptor de Encendido/Apagado".

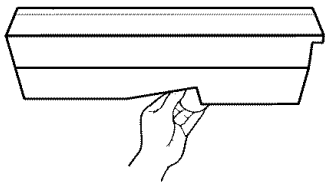
Cómo cambiar los focos

NOTA: No todos los focos para aparatos electrodomésticos son adecuados para su refrigerador. Asegúrese de cambiar el foco con otro que sea del mismo tamaño y forma. Todas las luces requieren un foco de 40 a 60 Watts máximo para electrodomésticos. Puede conseguir los focos con su distribuidor.

1. Quite la rejilla superior. Vea la sección “Interruptor de encendido/apagado”.
2. Coloque el interruptor en la posición OFF (apagado).
3. Si se indica, quite la pantalla de la luz como se muestra.
NOTA: Para limpiar la pantalla de la luz, lávela con agua tibia y un detergente líquido. Enjuague y seque la pantalla meticulosamente.
4. Quite el foco y reemplácelo con uno del mismo tamaño, forma y vataje.
5. Cuando corresponda, vuelva a colocar la pantalla como se indica.
6. Coloque el interruptor en la posición ON (encendido).
7. Vuelva a colocar la rejilla superior. Vea la sección “Interruptor de encendido/apagado”.

Luces del panel de control del refrigerador

Introduzca la mano detrás del panel de control del refrigerador y del congelador (ubicado en la parte superior del compartimiento del refrigerador) para quitar y reemplazar el foco.



Luz del congelador (encima del depósito de hielo)

Introduzca la mano detrás del panel (ubicado en la parte superior del compartimiento del congelador) para quitar y reemplazar el foco.

Cortes de corriente

Si no va a haber electricidad por 24 horas o menos, mantenga las dos puertas del refrigerador cerradas para que los alimentos se mantengan fríos y congelados.

Si el corte de electricidad va a durar más de 24 horas haga lo siguiente:

- Saque todos los alimentos congelados y guárdelos en una conservadora de comida congelada.
- Ponga 2 libras (907 g) de hielo seco en el congelador por cada pie cúbico (28 L) de espacio en su congelador. Esto mantendrá los alimentos congelados de dos a cuatro días.
- Si no tiene conservadora de alimentos ni hielo seco, use todos los alimentos perecederos de una vez o póngalos en latas.

RECUERDE: Un congelador lleno se mantiene frío por más tiempo que uno a medio llenar. Un congelador lleno de carne se mantiene frío por más tiempo que uno lleno de alimentos de pastelería. Si Ud. ve que los alimentos contienen cristales de hielo, se pueden volver a congelar, pero la calidad y el sabor pueden afectarse. Si el alimento no está en buenas condiciones, descártelo.

Cuidado durante las vacaciones

Su refrigerador viene equipado con la característica Holiday Mode (Modo de fiestas) la cual fue diseñada para el viajero que desea economizar energía adicional. Al seleccionar esta característica los puntos de ajuste de la temperatura no cambian, pero la fábrica de hielo estará desactivada y las luces interiores se apagarán.

Si Ud. decide dejar el refrigerador funcionando mientras está ausente:

1. Use todos los artículos perecederos y congele el resto.
2. Presione el botón HOLIDAY MODE.
3. Si su refrigerador tiene fábrica de hielo automática, cierre el suministro de agua a la fábrica de hielo.
4. Vacíe el depósito de hielo.
5. Cuando vuelva de sus vacaciones presione HOLIDAY MODE para volver al funcionamiento normal.

Si Ud. decide apagar el refrigerador antes de irse:

1. Saque toda la comida del refrigerador.
2. Si su refrigerador tiene fábrica de hielo automática:
 - Cierre el suministro de agua a la fábrica de hielo por lo menos un día antes.
 - Cuando el último lote de hielo caiga, levante el brazo de control de alambre a la posición OFF (hacia arriba).
3. Coloque el Control del termostato (o Control del refrigerador dependiendo del modelo) en la posición OFF (apagado) o vea “Holiday Mode” (Modo de día de fiesta) en la sección “Uso de los controles”.
4. Limpie el refrigerador, pásele un trapo y séquelo bien.
5. Fije bloques de goma o de madera con cinta adhesiva a ambas puertas para que queden abiertas y el aire circule. Esto evita que se formen olores y que se formen hongos.

SOLUCIÓN DE PROBLEMAS

Siga las sugerencias que aparecen a continuación para evitar el costo de una visita de servicio innecesaria.

Su refrigerador no funciona

- **¿Está desconectado el cable eléctrico?** Conecte a un contacto de pared de conexión a tierra de 3 terminales.
- **¿Se quemó un fusible de la casa o se disparó un disyuntor?** Reemplace el fusible o reposicione el circuito.
- **¿Está el control del refrigerador o del congelador en la posición OFF (Apagado)?** Vea la sección “Uso de los controles”.
- **¿Se está descongelando el refrigerador?** En 30 minutos vuelva a revisar si el refrigerador está funcionando. Su refrigerador activa regularmente un ciclo de descongelación automática.
- **¿No está enfriando el refrigerador?** Para modelos con controles digitales, gire la unidad a OFF (Apagado) y luego a ON (Encendido) para volver a fijarla. Vea la sección “Uso de los controles.” Si aún así no puede corregir el problema, llame solicitando servicio.

Las luces no funcionan

- **¿Está desconectado el cable eléctrico?** Conecte a un contacto de pared de conexión a tierra de 3 terminales.
- **¿Está flojo un foco o se ha quemado?** Vea la sección “Cómo cambiar el(los) foco(s)”.
- **¿Ha estado la puerta abierta por más de 10 minutos?** Cuando se deja abierta la puerta por más de 10 minutos, centelleará la luz indicadora “Door Open” (Puerta abierta) y se apagarán las luces del interior. Vea “Door Open” (Puerta abierta) en la sección “Uso de los controles”.

Hay agua en la bandeja recolectora de agua

- **¿Se está descongelando el refrigerador?** El agua se evaporará. Es normal que caigan gotas de agua en la bandeja recolectora de agua.
- **¿Está más húmedo que lo normal?** Cuando esté húmedo, tenga en cuenta que el agua en la bandeja recolectora tardará más en evaporarse.

Parece que el motor funciona excesivamente

- **¿Está la temperatura ambiente más caliente de lo normal?** En condiciones de calor, el motor funciona por períodos más largos. Cuando la temperatura ambiente es normal, el motor funciona el 80% del tiempo. Si la habitación está caliente, puede funcionar por más tiempo.
- **¿Se acaba de agregar una gran cantidad de alimentos al refrigerador?** Agregar grandes cantidades de alimentos hace que se caliente el refrigerador. Es normal que el motor funcione por períodos más prolongados para volver a enfriar el refrigerador.
- **¿Se han abierto las puertas a menudo?** Cuando esto ocurre, el motor puede funcionar por períodos más largos. Ahorre energía sacando todo lo que necesita del refrigerador de una sola vez, manteniendo los alimentos organizados y cerrando la puerta inmediatamente después de sacarlos.
- **¿No se han ajustado los controles correctamente de acuerdo con las condiciones circundantes?** Vea la sección “Uso de los controles”.
- **¿No están las puertas completamente cerradas?** Cierre las puertas con firmeza. Si no cierran completamente, vea “Las puertas no cierran completamente” más adelante en esta sección.
- **¿Están sucios los serpentines del condensador?** Esto impide la transferencia del aire y hace que el motor trabaje más. Limpie los serpentines del condensador. Vea la sección “Limpieza”.
- **¿No están selladas por completo las empaquetaduras de la puerta?** Llame a una persona calificada o a un técnico.

NOTA: Su nuevo refrigerador funcionará por períodos más largos que su refrigerador anterior debido al motor de alto rendimiento.

El refrigerador parece hacer mucho ruido

- **Los sonidos pueden ser normales para su refrigerador.** Consulte la sección “Sonidos normales”.

La fábrica de hielo no produce hielo o no produce suficiente hielo

- **¿Se acaba de instalar la fábrica de hielo?** El depósito de hielo puede contener 14 a 17 (6,4 a 7,7 kg) libras de hielo. El depósito de hielo puede durar tres a cuatro días para llenarse completamente si no se ha usado hielo durante este período.
- **¿Está la temperatura del congelador lo suficientemente fría para hacer hielo?** Espere 24 horas después de haber conectado la fábrica de hielo para que se produzca hielo. Vea la sección “Uso de los controles”.
- **¿Está el brazo de control de alambre de la fábrica de hielo (en algunos modelos) en la posición OFF (Apagado-brazo de control de alambre hacia arriba)?** Baje el brazo de control de alambre a la posición ON (Encendido-brazo de control de alambre hacia abajo). Vea la sección “Fábrica de hielo y depósito/balde de almacenamiento”.
- **¿No está abierta la válvula de cierre de la tubería del agua al refrigerador?** Abra la válvula de agua. Vea la sección “Cómo conectar la tubería de agua al refrigerador” en las Instrucciones de Instalación.
- **¿Se trabó un cubo de hielo en el brazo eyector?** Saque el hielo del brazo eyector con un utensilio de plástico. Vea la sección “Fábrica de hielo y depósito/balde almacenamiento”.
- **¿Tiene agua el molde de la fábrica de hielo o no se ha producido hielo?** Verifique si su refrigerador ha sido conectado al suministro de agua de su casa y si la válvula de cierre está abierta. Vea la sección “Cómo conectar la tubería de agua al refrigerador” en las Instrucciones de Instalación.
- **¿Se acaba de sacar una gran cantidad de hielo?** Deje transcurrir 3 o 4 días, si no se usa hielo durante este período para que la fábrica de hielo se restablezca.
- **¿Se han ajustado correctamente los controles?** Vea la sección “Uso de los controles”.

NOTA: Si el problema no se debe a ninguna de las alternativas indicadas, puede haber un problema en la tubería de agua. Llame solicitando servicio.

El hielo tiene mal sabor, mal olor o un color grisáceo

- **¿Son nuevas las conexiones de plomería, produciendo un hielo descolorido o de mal sabor?** Deseche las primeras tandas de hielo.
- **¿Se han guardado los cubos de hielo por mucho tiempo?** Tire los cubos de hielo viejos y obtenga una nueva tanda.

- **¿Se necesita limpiar el congelador y el depósito o balde de hielo?** Vea la sección “Limpieza” o “Fábrica de hielo y depósito/balde de almacenamiento”.
- **¿Se han envuelto debidamente los alimentos en el congelador o el refrigerador?** Use empaques herméticos contra la humedad para ayudar a prevenir transferencia de olores en la comida almacenada.
- **¿Contiene el agua minerales (como el azufre)?** Podría ser necesario instalar un filtro para eliminar los minerales.

El divisor entre los dos compartimientos está caliente

Probablemente el calor se debe al funcionamiento normal del control automático de humedad exterior. Si sigue teniendo problemas, solicite servicio.

La temperatura está demasiado caliente

- **¿Están bloqueados los orificios de ventilación en cualquiera de los compartimientos?** Esto impide la circulación del aire frío del congelador al refrigerador. Saque todos los objetos que bloquean los orificios de ventilación. Vea la ubicación de estos orificios en la sección “Cómo asegurar la debida circulación del aire”.
- **¿Se abre(n) la(s) puerta(s) con frecuencia?** Tenga en cuenta que el refrigerador se calienta cuando esto ocurre. Para mantener el refrigerador frío, trate de sacar todo lo que necesita del refrigerador de una sola vez, mantenga los alimentos organizados y cierre la puerta inmediatamente después de sacarlos.
- **¿Se acaba de agregar una gran cantidad de alimentos al refrigerador o al congelador?** Agregar grandes cantidades de alimentos calienta el refrigerador. Pueden transcurrir varias horas para que el refrigerador recupere su temperatura normal.
- **¿Se han ajustado los controles correctamente de acuerdo a las condiciones circundantes?** Vea la sección “Uso de los controles”.
- **¿No está enfriando el refrigerador?** Para modelos con controles digitales, gire la unidad a OFF (Apagado) y luego a ON (Encendido) para volver a fijarla. Vea la sección “Uso de los controles.” Si aún así no puede corregir el problema, llame solicitando servicio.

Hay acumulación de humedad en el interior

- **¿Están bloqueados los orificios de ventilación en el refrigerador?** Saque todos los objetos que bloquean los orificios de ventilación. Vea la ubicación de los orificios en la sección “Cómo asegurar la debida circulación del aire”.
- **¿Se abre(n) la(s) puerta(s) con frecuencia?** Evite la acumulación de humedad sacando todo lo que necesita del refrigerador de una sola vez, manteniendo los alimentos organizados y cerrando la puerta inmediatamente después de sacarlos.

- **¿Está húmeda la habitación?** Es normal que se acumule humedad dentro del refrigerador cuando el aire exterior está húmedo.
- **¿Se han envuelto correctamente los alimentos?** Verifique que todos los alimentos estén bien envueltos. Seque los recipientes húmedos antes de colocarlos en el refrigerador.
- **¿Se han ajustado los controles correctamente de acuerdo a las condiciones circundantes?** Vea la sección “Uso de los controles”.
- **¿Se ha completado un ciclo de descongelación automática?** Es normal que se formen gotitas cuando el refrigerador se descongela automáticamente.

Las puertas no cierran completamente

- **¿Hay paquetes de comida que impiden que se cierre la puerta?** Ordene los recipientes de manera que queden más juntos y ocupen menos espacio.
- **¿Está el depósito o el balde de hielo mal colocado?** Empuje el depósito de hielo hasta el fondo. Si el depósito de hielo no llega hasta el fondo, puede ser que no esté derecho. Sáquelo y vuelva a empujarlo. Vea la sección “Fábrica de hielo y depósito/balde de almacenamiento”.
- **¿Están las bandejas, parrillas, depósitos o canastillas mal colocados?** Coloque la tapa del cajón de verduras y todas las bandejas, parrillas, depósitos y canastillas en la posición correcta. Para más información, vea la sección “Cajones de verduras y tapas”.
- **¿Están las empaquetaduras pegajosas?** Limpie las empaquetaduras de acuerdo con las instrucciones en la sección “Limpieza”.
- **¿Se balancea el refrigerador o no está nivelado?** Nivele el refrigerador. Vea la sección “Cómo ajustar las puertas” o “Cómo nivelar el refrigerador” en las Instrucciones de Instalación.

Es difícil abrir las puertas

- **¿Están las empaquetaduras sucias o pegajosas?** Limpie las empaquetaduras de acuerdo con las instrucciones en la sección “Limpieza”.

AYUDA O SERVICIO TÉCNICO

Antes de solicitar ayuda o servicio técnico, por favor consulte la sección "Solución de Problemas." Esto le podría ahorrar el costo de una visita de servicio técnico. Si considera que aún necesita ayuda, siga las instrucciones que aparecen a continuación.

Cuando llame, tenga a mano la fecha de compra y el número completo del modelo y de la serie de su electrodoméstico. Esta información nos ayudará a atender mejor a su pedido.

Si necesita piezas de repuesto

Si necesita pedir piezas de repuesto, recomendamos que use únicamente piezas especificadas de fábrica. Estas piezas encajarán bien y funcionarán bien ya que están fabricadas con la misma precisión empleada en la fabricación de cada electrodoméstico nuevo de KITCHENAID®.

Para encontrar piezas de repuesto especificadas de fábrica en su localidad, llame a nuestro Centro de Interacción del cliente o al centro de servicio designado más cercano a su localidad.

En los EE.UU.

Llame al Centro de Interacción del Cliente de KitchenAid sin costo alguno al: **1-800-422-1230**.

Nuestros consultores ofrecen asistencia con respecto a:

- Características y especificaciones de nuestra línea completa de electrodomésticos.
- Información sobre instalación.
- Procedimiento para el uso y mantenimiento.
- Accesorios y venta de partes para reparación.
- Asistencia especializada para el consumidor (habla hispana, problemas de audición, visión limitada, etc.).
- Recomendaciones con distribuidores locales, compañías que dan servicio y distribuidores de partes para reparación. Los técnicos designados por KitchenAid están entrenados para cumplir con la garantía de producto y ofrecer servicio una vez que la garantía termine, en cualquier lugar de los Estados Unidos.

Para localizar a una compañía de servicio designada por KitchenAid en su área, también puede consultar la sección amarilla de su guía telefónica.

Para obtener más asistencia

Si necesita asistencia adicional, puede escribir a KitchenAid con sus preguntas o dudas a:

KitchenAid Brand Home Appliances
Customer Interaction Center
553 Benson Road
Benton Harbor, MI 49022-2692

Favor de incluir un número telefónico de día en su correspondencia.

En Canadá

Llame al Centro de Interacción del Cliente de KitchenAid Canada sin costo alguno al: **1-800-461-5681** Lunes a viernes de 8.00 A.M. a 6.00 P.M. (hora del este). Sábado de 8.30 A.M. a 4.30 P.M. (hora del este).

Nuestros consultores ofrecen asistencia con respecto a:

- Características y especificaciones de nuestra línea completa de electrodomésticos.
- Recomendaciones con distribuidores locales.

Para solicitar servicio en Canadá

Llame al **1-800-807-6777**. Los técnicos designados por KitchenAid Canada están entrenados para cumplir con la garantía del producto y ofrecer servicio una vez que la garantía termine, en cualquier lugar de Canadá.

Para obtener más asistencia

Si necesita asistencia adicional, puede escribir a KitchenAid con sus preguntas o dudas a:

Customer Interaction Center
KitchenAid Canada
1901 Minnesota Court
Mississauga, Ontario L5N 3A7

Favor de incluir un número telefónico de día en su correspondencia.

Accesorios

Para ordenar los accesorios, llame al **1-800-442-9991** y pida el número de pieza adecuado que está listado a continuación o póngase en contacto con el distribuidor autorizado de KitchenAid. En Canadá, llame al **1-800-807-6777**.

Limpiador de acero inoxidable

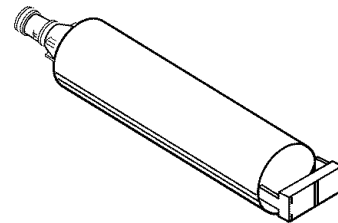
Pida la pieza número 8171420

Cartuchos para el filtro de agua de la rejilla de la base:

NOTA: No lo use con agua que no sea microbiológicamente segura o que sea de calidad desconocida sin desinfectarla adecuadamente antes o después del sistema.

Cartucho estándar:

Pida la pieza número 4396164 (LC 400)



HOJA DE DATOS DEL PRODUCTO

Sistema de filtración de agua de rejilla de la base modelo WF-LC400/LC400



Comprobado y certificado por NSF International, según la norma 42 ANSI/NSF para reducción de cloro (Clase I), sabor y olor y bajo la norma 53 ANSI/NSF para la reducción de plomo, quistes y turbidez.

Capacidad: 400 galones (1514 litros),

Tasa de flujo de servicio: 0.5 gpm (1.89 L/min.) @ 60 lbs/pulg²

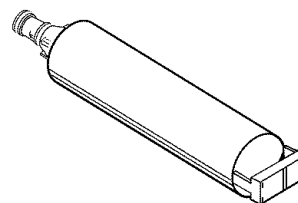
| Reducción de sustancias Efectos estéticos | EE.UU. EPA MCL | Promedio influyente | Máximo efluente | Promedio efluente | % Mínimo reducción | % Promedio reducción | Número de prueba NSF |
|--|-------------------|------------------------|--------------------|----------------------|-----------------------|-------------------------|-------------------------|
| Cloro, sabor y olor | N/A | 2,0 mg/L | N/A | 0,04 mg/L | N/A | 98% | 994707 |
| Partículas | N/A | 610.000/mL* | N/A | 154/mL | N/A | 99% | 994711 |
| Reducción de contaminantes | U.S. EPA MCL | Promedio influyente | Máximo efluente | Promedio efluente | % Mínimo reducción | % Promedio reducción | Número de prueba NSF |
| Quistes | 99,95%** | 89,250/mL* | 6/mL | 2,3/mL | 99,993% | 99,997% | 994710 |
| Turbidez | 0,5 NTU | 29 NTU | 0,12 NTU | 0,09 NTU | 99,59% | 99,69% | 994710 |
| Plomo: @ pH 6.5 | 0,015 mg/L | 0,16 mg/L*** | 0,001mg/L | 0,001 mg/L | 99,4% | 99,4% | 994708 |
| Plomo: @ pH 8.5 | 0,015 mg/L | 0,16 mg/L*** | 0,002 mg/L | 0,001 mg/L | 98,8% | 99,4% | 994709 |

- Es esencial que los requerimientos de operación, mantenimiento y reemplazo del filtro se lleven a cabo para que este producto se desempeñe tal como se ofrece en la publicidad.
- **Modelo WF-LC400** El sistema de control del filtro mide la cantidad de agua que pasa a través del filtro y le avisa que debe reemplazarlo. Cuando se ha usado el 90% de la duración nominal del filtro, la luz indicadora del filtro cambia de verde a amarillo. Cuando se ha usado 100% de la duración nominal del filtro, la luz indicadora del filtro cambia de amarillo a rojo y se le recomienda reemplazar el filtro. Use el cartucho de repuesto LC400, pieza N° 4396164. El precio sugerido de venta al por menor durante 2002 es de \$39.95 EE.UU./\$49.95 Canadá. Precios sujetos a cambio sin previo aviso.
- El producto es para uso con agua fría únicamente.
- **No usar con agua que no sea microbiológicamente segura o de calidad desconocida sin desinfectarla adecuadamente antes o después del sistema.**

- Favor de ver la cubierta delantera o la sección "Ayuda o servicio técnico" para obtener el nombre, dirección y número telefónico del fabricante.
- Favor de ver la sección "Garantía" para verificar la garantía limitada del fabricante.

Pautas de aplicación/Parámetros para el suministro de agua

| | |
|----------------------|----------------------------------|
| Suministro de agua | Municipal o de pozo |
| Presión del agua | 30 - 120 lbs/pg2 (207 - 827 kPa) |
| Temperatura del agua | 33° - 100°F (0,6° - 37,8° C) |



* El requisito de prueba es de cuando menos 100.000 partículas/ml de Polvo Fino de prueba AC.

** El rendimiento de quistes es el % de reducción según el estándar 53 de la NSF.

*** El requisito de prueba es 0,15 mg/L ± 10%. Estos contaminantes no se encuentran necesariamente en su suministro de agua. El desempeño puede variar dependiendo de las condiciones del agua local.

GARANTÍA DEL REFRIGERADOR EMPOTRADO KITCHENAID®

GARANTÍA TOTAL DE DOS AÑOS EN EL REFRIGERADOR

Durante dos años a partir de la fecha de compra, siempre y cuando se dé al refrigerador (excluyendo los cartuchos del filtro de agua) un uso y mantenimiento de conformidad con las instrucciones adjuntas o provistas con el producto, KitchenAid se hará cargo del costo de las piezas de repuesto especificadas de fábrica y del gasto del trabajo de reparación para corregir defectos de materiales o de fabricación. Piezas de repuesto y gastos de mano de obra para corregir defectos en los focos, un año. El servicio deberá ser proporcionado por una compañía de servicio designada por KitchenAid.

Cartucho del filtro de agua: garantía limitada de 30 días por el filtro de agua. Durante 30 días a partir de la fecha de compra, cuando se dé al filtro un uso y mantenimiento de conformidad con las instrucciones adjuntas a, o provistas con el producto, KitchenAid se hará cargo del costo de las piezas de repuesto para corregir defectos de materiales o de fabricación.

GARANTÍA TOTAL DEL TERCERO AL SEXTO AÑO DE LAS PIEZAS DEL SISTEMA DE REFRIGERACIÓN SELLADO, COMO SE INDICA

Entre el tercero y el sexto año a partir de la fecha de compra, siempre y cuando se dé al refrigerador un uso y mantenimiento de conformidad con las instrucciones adjuntas o provistas con el producto, KitchenAid se hará cargo del costo de las piezas de repuesto especificadas de fábrica y del gasto del trabajo de reparación para corregir defectos de materiales o de fabricación en el sistema sellado de refrigeración. Estas piezas son: compresor, evaporizador, condensador, secadora y tubería de conexión. El servicio deberá ser proporcionado por una compañía de servicio designada por KitchenAid.

GARANTÍA LIMITADA DEL SÉPTIMO AL DUODÉCIMO AÑO DEL SISTEMA DE REFRIGERACIÓN SELLADO

Entre el séptimo y el duodécimo año a partir de la fecha de compra siempre y cuando se dé al refrigerador un uso y mantenimiento de conformidad con las instrucciones adjuntas o provistas con el producto, KitchenAid se hará cargo del costo de las piezas de repuesto especificadas de fábrica para corregir defectos de materiales o de fabricación en el sistema sellado de refrigeración. Estas piezas son: compresor, evaporizador, condensador, secadora y tubería de conexión.

GARANTÍA LIMITADA DE POR VIDA DE LOS RECIPIENTES DE LA PUERTA

Durante la vida útil del producto, siempre y cuando se dé al refrigerador un uso y mantenimiento de conformidad con las instrucciones adjuntas o provistas con el producto, KitchenAid reemplazará todos los recipientes de la puerta por defectos de materiales o de fabricación.

KitchenAid no pagará por:

1. Visitas de servicio técnico para corregir la instalación de su refrigerador, para enseñarle a usar su refrigerador, para cambiar fusibles domésticos o para corregir la instalación eléctrica o de la tubería de la casa, para cambiar focos o para cambiar los filtros de agua aparte de los antes mencionados.
2. Reparaciones cuando su electrodoméstico haya sido empleado para fines ajenos al uso doméstico normal.
3. Recogida y entrega. Su refrigerador está diseñado para ser reparado en el hogar.
4. Daños causados por accidente, alteración, uso indebido, abuso, incendio, inundación, instalación incorrecta, actos fortuitos, o el empleo de productos no aprobados por KitchenAid o KitchenAid Canada.
5. Cualquier pérdida de alimentos o medicamentos debido a la falla del producto.
6. Reparaciones de piezas o sistemas provocadas por modificaciones no autorizadas del electrodoméstico.
7. Quitar y cambiar adornos o paneles decorativos que interfieran con el servicio del producto.
8. Mano de obra o piezas instaladas por cualquier compañía de servicio no designado durante el período de garantía completa, si no fue aprobado por KitchenAid antes de hacer el servicio.
9. En Canadá, gastos de viaje o de transporte para clientes que residen en zonas distantes.
10. Cualquier gasto de mano de obra durante las garantías limitadas.

KITCHENAID Y KITCHENAID CANADA NO SE HARÁN RESPONSABLES POR DAÑOS INCIDENTALES O CONSECUENTES.

Algunos estados o provincias no permiten la exclusión o limitación de daños incidentales o consecuentes, de modo que esta exclusión o limitación quizás no le corresponda. Esta garantía le otorga derechos legales específicos y es posible que usted tenga también otros derechos que pueden variar de un estado a otro o de una provincia a otra.

Esta garantía no tiene vigor fuera de los cincuenta Estados Unidos y Canadá. Póngase en contacto con el distribuidor autorizado de KitchenAid para determinar si corresponde otra garantía.

Si necesita servicio, vea primero la sección "Solución de Problemas". Después de consultar "Solución de Problemas", podrá encontrar ayuda adicional al consultar la sección "Ayuda o servicio técnico", o al llamar al Centro de Interacción del Cliente de KitchenAid al **1-800-422-1230** (sin costo alguno) desde cualquier lugar de los EE.UU. En Canadá, contacte a su compañía de servicio designado por KitchenAid Canada o llame al **1-800-807-6777**. 8/01

Guarde este libro y su comprobante de ventas juntos para consulta futura. Para obtener el servicio de la garantía deberá proporcionar un comprobante de compra o la fecha de instalación del electrodoméstico.

Anote la siguiente información acerca de su refrigerador para facilitar la obtención de asistencia o servicio si llegara a necesitarlo. Usted tendrá que saber el número completo del modelo y de la serie. Encontrará esta información en la placa/etiqueta con el número del modelo y de la serie, ubicada en la pared interior del compartimiento del refrigerador.

Nombre del distribuidor _____

Dirección _____

Número de teléfono _____

Número del modelo _____

Número de la serie _____

Fecha de compra _____

SÉCURITÉ DU RÉFRIGÉRATEUR

Votre sécurité et celle des autres est très importante.

Nous donnons de nombreux messages de sécurité importants dans ce manuel et sur votre appareil ménager. Assurez-vous de toujours lire tous les messages de sécurité et de vous y conformer.



Voici le symbole d'alerte de sécurité.

Ce symbole d'alerte de sécurité vous signale les dangers potentiels de décès et de blessures graves à vous et à d'autres.

Tous les messages de sécurité suivront le symbole d'alerte de sécurité et le mot "DANGER" ou "AVERTISSEMENT". Ces mots signifient :

⚠ DANGER

Risque possible de décès ou de blessure grave si vous ne suivez pas immédiatement les instructions.

⚠ AVERTISSEMENT

Risque possible de décès ou de blessure grave si vous ne suivez pas les instructions.

Tous les messages de sécurité vous diront quel est le danger potentiel et vous disent comment réduire le risque de blessure et ce qui peut se produire en cas de non-respect des instructions.

IMPORTANTES INSTRUCTIONS DE SÉCURITÉ

AVERTISSEMENT : Pour réduire les risques d'incendie, de choc électrique ou des blessures lors de l'utilisation du réfrigérateur, prendre quelques précautions fondamentales, y compris les suivantes :

- Brancher l'appareil sur une prise à 3 alvéoles reliée à la terre.
- Ne pas enlever la broche de liaison à la terre.
- Ne pas utiliser un adaptateur.
- Ne pas utiliser un câble de rallonge.
- Utiliser deux ou plus de personnes pour déplacer et installer le réfrigérateur.
- Débrancher la source de courant électrique avant l'entretien.
- Replacer tous les panneaux avant de faire la remise en marche.
- Utiliser un produit de nettoyage ininflammable.
- Garder les matériaux et les vapeurs inflammables, telle que l'essence, loin du réfrigérateur.
- Débrancher le réfrigérateur avant l'installation de la machine à glaçons (seulement pour modèles prêts à recevoir une machine à glaçons).
- Utiliser un verre robuste pour prendre des glaçons ou de l'eau (sur certains modèles).
- Enlever les portes de votre vieux réfrigérateur.

CONSERVEZ CES INSTRUCTIONS

Mise au rebut de votre vieux réfrigérateur

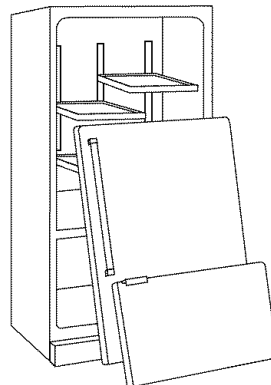
⚠ AVERTISSEMENT

Risque de suffoquer

Enlever les portes de votre vieux réfrigérateur.
Le non-respect de cette instruction peut causer un décès ou des lésions cérébrales.

Avant de jeter votre vieux réfrigérateur ou congélateur :

- Enlever les portes.
- Laisser les tablettes en place de sorte que les enfants ne puissent pas y pénétrer facilement.



IMPORTANT : L'emprisonnement et l'étouffement des enfants ne sont pas un problème du passé. Les réfrigérateurs jetés ou abandonnés sont encore dangereux, même s'ils sont laissés abandonnés pendant "quelques jours seulement". Si vous vous débarrassez de votre vieux réfrigérateur, veuillez suivre les instructions suivantes pour aider à éviter les accidents.

AVANT L'UTILISATION

Enlèvement des matériaux d'emballage

- Enlever le ruban adhésif et tout résidu de colle du réfrigérateur avant de le mettre en marche. Frotter une petite quantité de savon liquide à vaisselle sur l'adhésif avec les doigts. Rincer à l'eau tiède et essuyer.
- Ne pas utiliser d'instruments coupants, d'alcool à friction, de liquides inflammables ou de nettoyants abrasifs pour enlever le ruban adhésif ou la colle. Ces produits peuvent endommager la surface de votre réfrigérateur. Pour plus de renseignements, voir la section "Sécurité du réfrigérateur".

Nettoyage avant l'utilisation

Après avoir enlevé tous les matériaux d'emballage, nettoyer l'intérieur du réfrigérateur avant de l'utiliser. Voir les instructions de nettoyage dans la section "Entretien du réfrigérateur".

Importants renseignements à savoir au sujet des tablettes et des couvercles en verre :

Ne pas nettoyer les tablettes ou couvercles en verre avec de l'eau tiède quand ils sont froids. Les tablettes et les couvercles peuvent se briser s'ils sont exposés à des changements soudains de température ou à un impact tel que coup brusque. Pour votre protection, le verre trempé est conçu pour éclater en d'innombrables pièces minuscules. Ceci est normal. Les tablettes et les couvercles en verre sont lourds. Un soin spécial s'impose lors de leur déplacement pour éviter l'impact d'une chute.

UTILISATION DU RÉFRIGÉRATEUR

⚠ AVERTISSEMENT



Risque de choc électrique

Brancher sur une prise à 3 alvéoles reliée à la terre.

Ne pas enlever la broche de liaison à la terre.

Ne pas utiliser un adaptateur.

Ne pas utiliser un câble de rallonge.

Le non-respect de ces instructions peut causer un décès, un incendie ou un choc électrique.

⚠ AVERTISSEMENT



Risque d'explosion

Garder les matériaux et les vapeurs inflammables, telle que l'essence, loin du réfrigérateur.

Le non-respect de cette instruction peut causer un décès, une explosion ou un incendie.

Commutateur marche/arrêt

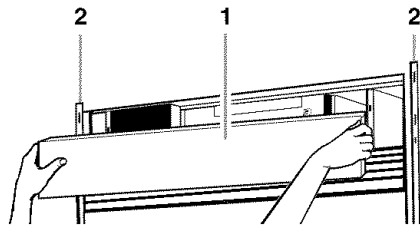
S'il est nécessaire de rétablir ou de couper l'alimentation électrique du réfrigérateur, il faut enlever l'ensemble de la grille supérieure pour accéder au commutateur marche/arrêt. Couper l'alimentation du réfrigérateur lors du nettoyage ou du remplacement des ampoules d'éclairage.

Modèles à panneaux (sur certains modèles)

Pour enlever la grille supérieure :

1. Saisir les deux extrémités de la grille supérieure.

2. Pousser l'ensemble de la grille supérieure tout droit vers le haut, puis le tirer tout droit vers l'extérieur. Placer l'ensemble de la grille sur une surface molle.



1. Grille supérieure
2. Garnitures latérales de la caisse

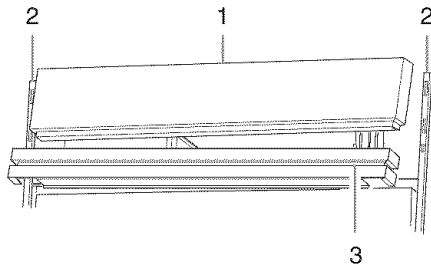
Réinstallation de la grille supérieure :

1. Insérer les crochets de la grille supérieure (situés à l'arrière de la grille supérieure) dans les encoches sur la garniture latérale.
2. Tirer légèrement la grille vers le bas pour la verrouiller en place.

Modèles à portes enveloppantes (sur certains modèles)

Pour enlever la grille supérieure :

1. Saisir les deux extrémités du panneau à jalousies. Pousser le panneau à jalousies tout droit vers le haut, puis tirer tout droit vers l'extérieur. Placer le panneau sur une surface molle.
2. Saisir les deux extrémités de la grille supérieure. Pousser la grille supérieure tout droit vers le haut, puis tirer tout droit vers l'extérieur. Placer la grille supérieure sur une surface molle.



1. Grille supérieure
2. Garniture latérale de la caisse
3. Panneau à jalousies

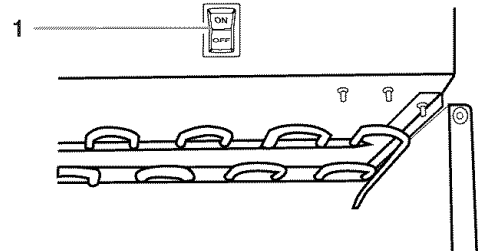
Réinstallation de la grille supérieure :

1. Insérer les crochets de la grille supérieure (situés à l'arrière de la grille supérieure) dans les encoches sur la garniture latérale. Tirer légèrement la grille vers le bas pour la verrouiller en place.
2. Insérer les crochets du panneau à jalousies (situés à l'arrière du panneau à jalousies) dans les encoches sur la garniture latérale. Tirer légèrement le panneau vers le bas pour le verrouiller en place.

Activation ou désactivation de l'alimentation électrique :

1. Enlever la grille supérieure.
2. Mettre le commutateur d'alimentation principal à la position ON (marche) ou OFF (arrêt).
3. Réinstaller la grille supérieure.

IMPORTANT : S'assurer que le commutateur d'alimentation est à la position ON après avoir nettoyé le réfrigérateur ou remplacé les ampoules d'éclairage.



1. Commutateur marche/arrêt

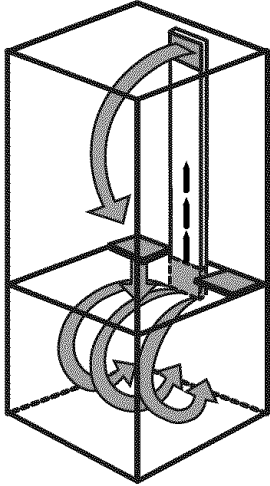
Sons normaux

Il est possible que le réfrigérateur neuf émette des bruits que l'appareil précédent ne produisait pas. Comme ces bruits sont nouveaux, ils peuvent vous inquiéter. La plupart de ces nouveaux bruits sont normaux. Des surfaces dures comme le plancher, les murs et les armoires peuvent faire paraître les bruits plus forts qu'en réalité. Les descriptions suivantes indiquent le genre de bruits et leur origine.

- Si votre appareil est équipé d'une machine à glaçons, vous entendrez un bruit de gargouillement lorsque la valve d'eau s'ouvre pour remplir la machine à glaçons pour chaque programme.
- Votre réfrigérateur est conçu pour fonctionner plus efficacement afin de garder les aliments à la température désirée et pour minimiser la consommation d'énergie. Le compresseur et les ventilateurs très efficaces peuvent faire fonctionner votre réfrigérateur plus longtemps que l'ancien. Vous pouvez aussi entendre des bruits saccadés ou aigus provenant du compresseur et des ventilateurs qui s'ajustent pour optimiser la performance.
- Vous pouvez entendre le moteur du ventilateur d'évaporation qui fait circuler l'air dans le réfrigérateur et le congélateur. La vitesse du ventilateur peut augmenter si on ouvre les portes ou si on ajoute des aliments chauds.
- Les vibrations sonores peuvent provenir de l'écoulement du réfrigérant, de la canalisation d'eau ou d'articles placés sur le réfrigérateur.
- L'eau qui dégoutte sur le dispositif de chauffage durant le programme de dégivrage peut produire un grésillement.
- À la fin de chaque programme, vous pouvez entendre un gargouillement attribuable au réfrigérant qui circule dans votre réfrigérateur.
- La contraction et l'expansion des parois internes peuvent produire un bruit sec.
- Vous pouvez entendre de l'air forcé sur le condenseur par le ventilateur du condenseur.
- Vous pouvez entendre l'écoulement de l'eau dans le plat de récupération d'eau de dégivrage pendant le programme de dégivrage.

Pour s'assurer d'une circulation d'air appropriée

Pour s'assurer d'avoir les températures appropriées, il faut permettre à l'air de circuler entre les sections du réfrigérateur et du congélateur. Comme l'indique l'illustration, l'air froid pénètre dans la section du congélateur par les ouvertures d'aération à l'arrière et au sommet. L'air passe à travers la section du congélateur et recircule sous le plancher du congélateur. L'air froid pénètre dans la section du réfrigérateur par le sommet et circule en descendant sur les tablettes jusqu'aux portes et recircule pour retourner aux ouvertures d'aération en bas.



Ne pas obstruer l'une ou l'autre de ces ouvertures d'aération avec des emballages d'aliments. Si les ouvertures d'aération sont obstruées, le débit d'air sera bloqué et des problèmes de température et d'humidité surviendront.

IMPORTANT : Comme l'air circule entre les deux sections, toutes les odeurs formées dans une section seront transférées à l'autre. Vous devez nettoyer à fond les deux sections pour éliminer les odeurs. Pour empêcher le transfert d'odeurs et l'assèchement des aliments, envelopper ou couvrir les aliments hermétiquement.

Utilisation des commandes

Commandes numériques

IMPORTANT :

- La commande du réfrigérateur règle la température du compartiment de réfrigération. La commande du congélateur règle la température du compartiment de congélation.
- Attendre 24 heures après avoir mis en marche le réfrigérateur avant d'y ajouter des aliments. Si on ajoute des aliments avant que le réfrigérateur ne se soit refroidi complètement, les aliments risquent de se gâter.

REMARQUE : Le réglage des commandes du réfrigérateur et du congélateur à un réglage plus bas (plus froid) ne refroidira pas les compartiments plus rapidement.

- Si la température est trop tiède ou trop froide dans le réfrigérateur ou le congélateur, vérifier d'abord les ouvertures d'aération pour s'assurer qu'elles ne sont pas obstruées, avant d'ajuster les commandes.
- Les réglages prééglés devraient être corrects pour l'utilisation normale. Les réglages sont faits correctement lorsque le lait ou le jus est aussi froid que vous l'aimez et lorsque la crème glacée est ferme.

Pour votre commodité, les commandes du réfrigérateur sont prééglées à l'usine. Lors de l'installation du réfrigérateur, s'assurer que les commandes sont encore prééglées aux "réglages moyens", tel qu'illustré. Le tableau de commande numérique se trouve à la partie supérieure du compartiment de réfrigération.

REMARQUE : Les points de réglage recommandés par l'usine sont 0°F (-18°C) pour le congélateur et 37°F (3°C) pour le réfrigérateur.

Pour mettre en marche le réfrigérateur et voir les points de réglage :

- Appuyer sur POWER (ON/OFF) (marche/arrêt) pendant 2 secondes.



REMARQUE : Après la mise en marche du réfrigérateur, le témoin lumineux et l'alarme sonore de dépassement de la température seront activés à chaque heure et demie jusqu'à ce que les températures du réfrigérateur et du congélateur soient en dessous de 48°F (9°C) et 15°F (-9°C), respectivement. Pour éteindre l'alarme et le témoin lumineux, appuyer sur OVER TEMPERATURE RESET (réinitialisation en cas de dépassement de la température). (Voir la section "Réinitialisation en cas de dépassement de la température").

Pour voir les températures en Celsius :

- Appuyer sur la touche °C SELECT. Le témoin lumineux du signe négatif (-) s'allume. Pour afficher de nouveau les degrés Fahrenheit, appuyer de nouveau sur °C SELECT.



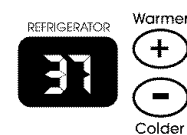
REMARQUE : Si la température du congélateur est inférieure à zéro, le témoin lumineux à côté de l'afficheur du congélateur s'allume. Ceci est normal.

Ajustement des commandes numériques

REMARQUE : Attendre au moins 24 heures entre les ajustements. Vérifier de nouveau la température avant de procéder à d'autres ajustements.

S'il est nécessaire d'ajuster la température :

- Appuyer sur la flèche du réfrigérateur ou du congélateur vers le HAUT (+) ou vers le BAS (-) jusqu'à ce que la température désirée soit atteinte.



REMARQUE : La gamme de réglage pour le congélateur varie de -9°F à 9°F (-23°C à -13°C) et de 32°F à 46°F (0°C à 8°C) pour le réfrigérateur.

| CONDITION/RAISON : | AJUSTEMENT DE LA TEMPÉRATURE : |
|---|---|
| RÉFRIGÉRATEUR trop froid Réglage incorrect pour les conditions | Régler la commande du RÉFRIGÉRATEUR à 1° plus élevé |
| RÉFRIGÉRATEUR trop tiède Utilisation fréquente ou pièce très chaude | Régler la commande du RÉFRIGÉRATEUR à 1° plus bas |
| CONGÉLATEUR trop froid Réglage incorrect pour les conditions | Régler la commande du CONGÉLATEUR à 1° plus élevé |
| CONGÉLATEUR trop tiède/ trop peu de glaçons Utilisation fréquente ou utilisation d'un grand nombre de glaçons | Régler la commande du CONGÉLATEUR à 1° plus bas |

Autres caractéristiques du tableau de commande numérique

D'autres caractéristiques se trouvent sur le tableau de commande à la partie supérieure du compartiment de réfrigération.

Témoin lumineux d'état et réinitialisation du filtre à eau

REMARQUE : Ne pas utiliser avec de l'eau microbiologiquement dangereuse ou de qualité inconnue sans une désinfection adéquate avant ou après le système.

L'affichage du filtre à eau vous aidera à savoir quand changer la cartouche du filtre à eau. Pour changer le filtre, voir la section "Système de filtration d'eau".

| TÉMOIN : | ÉTAT : |
|------------------------------------|---------------------------------|
| 99 pour cent | Filtre neuf installé |
| 10 pour cent | Commander un filtre de rechange |
| 0 pour cent ou diminution du débit | Remplacer le filtre |

- Après avoir remplacé le filtre à eau, appuyer sur RESET pendant 2 secondes pour faire passer l'affichage du filtre à eau à 99 pour cent.

WATER FILTER



PERCENT LEFT

Max Cool (refroidissement maximal)

La caractéristique Max Cool est utile lors de périodes d'utilisation intense de glaçons, de l'addition d'un grand nombre d'aliments ou de températures élevées de la pièce.

- Appuyer sur Max Cool pour activer la caractéristique de refroidissement maximal. Le témoin lumineux MAX COOL demeure allumé pendant 24 heures à moins d'être éteint manuellement.



REMARQUE : L'affichage de la température ne change pas. Au bout de 24 heures le réfrigérateur retourne aux points de réglage précédents de la température.

Réinitialisation en cas de dépassement de la température

La caractéristique de dépassement de la température est conçue pour vous avertir lorsque la température du réfrigérateur s'élève au-dessus de 48°F (9°C) ou lorsque celle du congélateur s'élève au-dessus de 15°F (-9°C) pendant plus d'une heure et demie. L'alarme sonore s'éteint automatiquement lorsque la température retourne à la normale, mais le témoin lumineux continue de clignoter pour faire savoir qu'une condition de dépassement de la température s'est produite.

IMPORTANT : Si l'alarme de dépassement de la température se fait entendre, les aliments peuvent se gâter. Voir la section "Pannes de courant" pour plus de renseignements et minimiser l'ouverture des portes jusqu'à ce que les températures retournent à la normale.

- Appuyer sur OVER TEMPERATURE RESET pour éteindre l'alarme sonore et le témoin lumineux clignotant.



- La caractéristique de dépassement de la température continuera d'être activée à chaque heure et demie jusqu'à ce que les températures du réfrigérateur et du congélateur soient en-dessous de 48°F (9°C) et 15°F (-9°C), respectivement.

Holiday Mode (mode vacances)

La caractéristique Holiday Mode est conçue pour le voyageur qui désire économiser plus d'énergie ou pour les personnes dont les observances religieuses exigent que la machine à glaçons et les lumières soient éteintes. En choisissant cette caractéristique, les points de réglage de la température demeurent inchangés, la machine à glaçons est désactivée et les ampoules d'éclairage à l'intérieur sont éteintes.

- Appuyer sur HOLIDAY MODE pour activer le mode vacances. Cette caractéristique demeure activée jusqu'à ce que l'on appuie de nouveau sur la touche Holiday Mode.



REMARQUE : Si on a sélectionné la caractéristique Max Cool avant d'activer la caractéristique du mode vacances, les points de réglage demeureront à 32°F (0°C) et -10°F (-23°C) pour les compartiments de réfrigération et de congélation jusqu'à ce que la caractéristique de refroidissement maximal soit terminée. Le réfrigérateur retournera alors au point de réglage précédent de la température.

Call Service (faire un appel de service)

Si le témoin lumineux Call Service clignote, faire un appel de service. Voir la section "Assistance ou service" pour des renseignements sur les appels de service.

- Call Service

Door Open (porte ouverte)

Le témoin lumineux Door Open clignote, une alarme retentit et les ampoules d'éclairage à l'intérieur s'éteignent lorsqu'une porte est ouverte pendant plus de 10 minutes. Lorsque la porte est fermée, l'alarme sonore est réglée de nouveau et s'éteint mais le témoin Door Open continue de clignoter jusqu'à ce que la température soit égale ou inférieure à 45°F (7°C) et 15°F (-9°C) pour les compartiments de réfrigération et de congélation respectivement. On peut également réactiver l'alarme sonore Door Open en appuyant sur OVER TEMPERATURE RESET.

- Door Open

CARACTÉRISTIQUES DU RÉFRIGÉRATEUR

Systeme de filtration d'eau

Témoin lumineux d'état du filtre à eau dans la grille de la base

L'indicateur ou le témoin lumineux du filtre à eau vous aidera à savoir quand changer la cartouche du filtre à eau. L'afficheur ou le témoin lumineux se trouve à la partie supérieure du compartiment de réfrigération.

REMARQUE : Ne pas utiliser avec de l'eau microbiologiquement dangereuse ou de qualité inconnue sans une désinfection adéquate avant ou après le système.

Un filtre à eau neuf devrait afficher une lecture de 99 % et ce pourcentage continuera de diminuer au fur et à mesure de l'épuisement de la vie du filtre. Lorsque l'afficheur affiche 10 %, il est temps de commander un filtre de remplacement. Il est recommandé de remplacer la cartouche du filtre à eau dans la grille de la base lorsque le témoin lumineux du filtre à eau change à 0 % OU lorsque le débit du distributeur d'eau ou de glaçons diminue beaucoup. (Voir "Remplacement du filtre à eau dans la grille de la base" plus loin dans cette section).

WATER FILTER



PERCENT LEFT

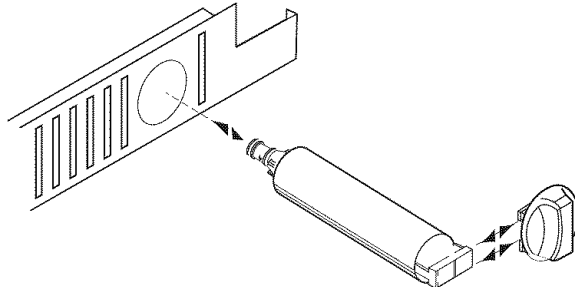
Après avoir changé la cartouche du filtre à eau, régler de nouveau le témoin lumineux de l'état du filtre à eau en appuyant sur le bouton RESET (réinitialisation) pendant 2 secondes. Le témoin lumineux changera à 99% lorsque le témoin du filtre est réglé de nouveau.

Remplacement du filtre dans la grille de la base

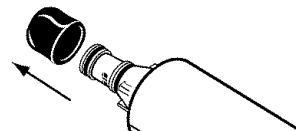
1. Repérer le couvercle de la cartouche du filtre à eau dans la grille de la base à l'avant. Tourner le couvercle dans le sens antihoraire à une position verticale et retirer ensuite le couvercle et la cartouche du filtre à travers la grille de la base.

REMARQUE : Il y aura de l'eau dans la cartouche. Un déversement est possible.

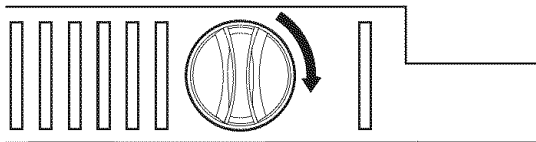
2. Retirer le couvercle de la cartouche en le glissant hors de l'extrémité de la vieille cartouche. Le couvercle glissera vers la gauche ou vers la droite. **NE PAS JETER LE COUVERCLE.**



3. Sortir la cartouche neuve de son emballage, puis dégager le couvercle protecteur des anneaux d'étanchéité.



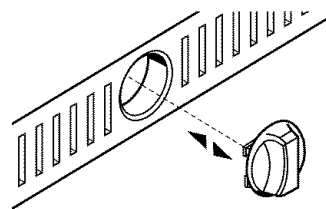
4. Faire glisser le couvercle de la cartouche sur la nouvelle cartouche. Voir l'illustration à l'étape 2.
5. Avec le couvercle de la cartouche en position verticale, insérer la cartouche neuve du filtre dans la grille de la base jusqu'au fond. Tourner le couvercle de la cartouche dans le sens horaire jusqu'à ce qu'il soit en position horizontale. Jeter les trois premiers lots de glaçons produits après avoir remplacé le filtre.



Utilisation de la machine à glaçons sans filtre à eau

Il est possible de faire fonctionner la machine à glaçons sans utiliser de cartouche de filtre. La glace ne sera pas filtrée.

1. Retirer la cartouche de filtre à eau de la grille de la base.
2. Glisser le couvercle de la cartouche pour l'enlever de la cartouche du filtre. **NE PAS JETER LE COUVERCLE.** Avec le couvercle de la cartouche en position verticale, insérer le couvercle dans la grille de la base jusqu'au fond.



3. Tourner le couvercle de la cartouche à une position horizontale. Le couvercle de la cartouche peut ne pas être au même niveau que la grille de la base.

Tablettes du réfrigérateur

Importants renseignements à savoir au sujet des tablettes et des couvercles en verre :

Ne pas nettoyer les tablettes ou couvercles en verre avec de l'eau tiède quand ils sont froids. Les tablettes et les couvercles peuvent se briser s'ils sont exposés à des changements soudains de température ou à un impact tel que coup brusque. Pour votre protection, le verre trempé est conçu pour éclater en d'innombrables pièces minuscules. Ceci est normal. Les tablettes et les couvercles en verre sont lourds. Un soin spécial s'impose lors de leur déplacement pour éviter l'impact d'une chute.

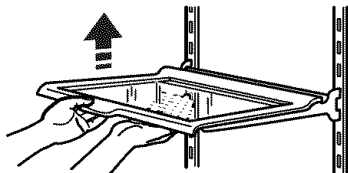
Les tablettes dans le réfrigérateur sont réglables pour satisfaire vos besoins individuels de rangement.

Le remisage d'aliments semblables ensemble et le réglage des tablettes pour convenir aux différentes hauteurs permettront de trouver plus facilement l'article exact. Ceci réduira également le temps d'ouverture de la porte du réfrigérateur, ce qui économisera de l'énergie.

Tablettes et cadres de tablettes

Pour retirer et remplacer une tablette/un cadre :

1. Enlever la tablette/cadre en l'inclinant vers le haut à l'avant et en la/le soulevant hors des supports de tablette. Tirer la tablette tout droit.
2. Replacer la tablette/le cadre en guidant les crochets à l'arrière de la tablette dans les supports de tablette. Incliner le devant de la tablette vers le haut jusqu'à ce que les crochets arrière de la tablette tombent dans les supports de la tablette.
3. Abaisser l'avant de la tablette et vérifier pour vous assurer que la tablette est bien fixée en place.



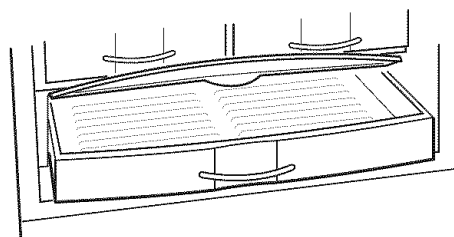
Tiroir de spécialités alimentaires

Le tiroir de spécialités alimentaires est conçu pour fournir des températures d'entreposage plus froides que la température moyenne du réfrigérateur. L'air dans le tiroir peut être réglé sur la gamme de températures d'entreposage de 28°- 32°F (-2°- 0°C) recommandées par l'organisme National Livestock and Meat Board pour les viandes fraîches. La hauteur du tiroir est également suffisante pour y ranger de grands plateaux de fêtes.

Pour enlever et réinstaller le tiroir de spécialités alimentaires :

1. Retirer le tiroir de spécialités alimentaires en le roulant jusqu'à la butée. Soulever légèrement l'avant. Sortir le tiroir complètement.

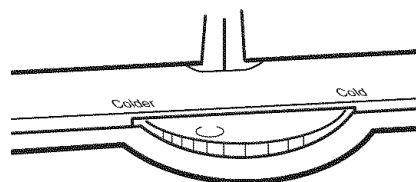
2. Replacer le tiroir en plaçant les roulettes entre la roulette avant de la glissière et la glissière. Pousser le tiroir vers le haut puis sur la glissière. Glisser le tiroir vers l'arrière complètement.



Commande de température du tiroir de spécialités alimentaires

La commande de température du tiroir de spécialités alimentaires permet d'ajuster la température d'entreposage du tiroir. L'air froid pénètre dans le tiroir de spécialités alimentaires par une canalisation d'air entre le congélateur et le réfrigérateur. Le réglage de la commande permet de laisser passer plus ou moins d'air froid dans la canalisation. Régler la commande à "Cold" pour fermer la canalisation d'air.

IMPORTANT : Si un article gèle dans le tiroir de spécialités alimentaires, le tiroir utilitaire ou le bac à légumes, tourner la commande de température du tiroir à viande à "Cold".



Guide d'entreposage des viandes

Garder la plupart des viandes dans leur emballage original du moment qu'il est hermétique et à l'épreuve de l'humidité. Envelopper de nouveau si nécessaire. Voir le tableau suivant pour les temps d'entreposage. Lorsque la viande doit être entreposée plus longtemps que les temps indiqués, congeler la viande.

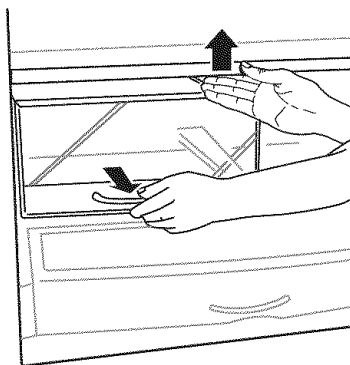
Poisson frais ou crustacés... à utiliser le jour même de l'achat
Poulet, boeuf haché, abats comestibles (foie, etc.)... 1-2 jours
Charcuterie, steaks/rôtis 3-5 jours
Viandes salaisonnées 7-10 jours

Restes - Couvrir les restes avec de la pellicule en plastique ou du papier d'aluminium ou utiliser des contenants en plastique avec couvercles hermétiques.

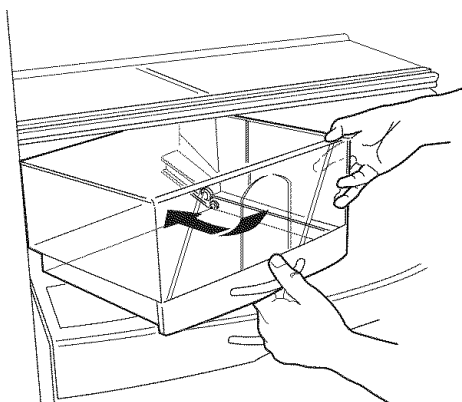
Bacs à légumes et couvercles

Pour retirer et replacer le bac à légumes ou le tiroir utilitaire:

1. Retirer le contenu du tiroir.
2. À l'aide de la poignée, faire glisser le bac tout droit jusqu'à la butée.
3. En soulevant légèrement le couvercle du bac, retirer la roulette du bac de la rainure sur la paroi latérale et tirer le bac à un angle pour enlever la roulette du bac de l'arrière de la grande roulette sur la rainure de soutien centrale.

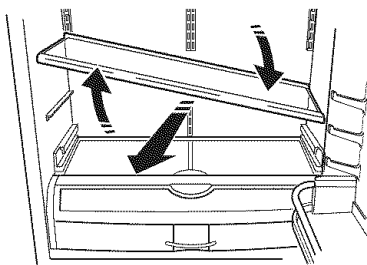


4. Replacer le bac en soulevant légèrement le couvercle du bac et en positionnant la roulette en angle à l'arrière de la grande roulette sur la rainure de soutien centrale, puis engager l'autre roulette du bac dans la rainure de la paroi latérale. Faire glisser le bac complètement pour le remettre en place.



Pour enlever et replacer les couvercles des bacs à légumes :

1. Retirer les aliments reposant sur le couvercle des bacs. Ouvrir les deux bacs d'environ 4 po (10,16 cm). Passer les deux mains sous la tablette de verre et la soulever doucement jusqu'à ce qu'elle se dégage. Incliner la tablette et la retirer du réfrigérateur en prenant soin de ne pas heurter le verre.
2. Replacer le couvercle des bacs à légumes en tenant fermement la tablette de verre avec les deux mains, en l'inclinant et en la positionnant au-dessus des glissières de support. Abaisser doucement la tablette sur les glissières de support de la paroi latérale.



Réglage de l'humidité dans le bac à légumes

On peut contrôler le degré d'humidité dans le bac à légumes étanche. Les commandes se trouvent à l'avant de chaque bac. Les commandes peuvent être ajustées à n'importe quel réglage entre LOW et HIGH.

En position LOW (ouvert) le réglage laisse échapper l'air humide du bac à légumes pour mieux conserver les fruits et légumes à pelures.

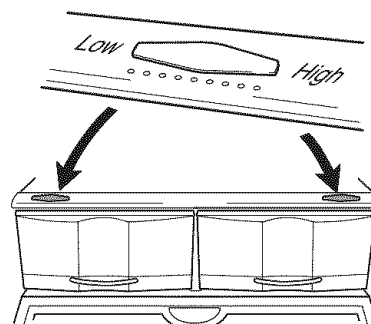
- Fruits : Laver, laisser sécher et garder au réfrigérateur dans un sac en plastique ou dans le bac à légumes. Ne pas laver ni équeuter les petits fruits jusqu'au moment de leur utilisation. Trier et garder les petits fruits dans le contenant original dans le bac à légumes ou les conserver sur une tablette du réfrigérateur dans un sac en papier fermé sans être serré.

- Légumes à pelure : Placer dans des sacs en plastique ou contenants en plastique et ranger dans le bac à légumes.

En position HIGH (fermé) le réglage permet de retenir l'humidité à l'intérieur du bac pour mieux conserver les légumes à feuilles frais.

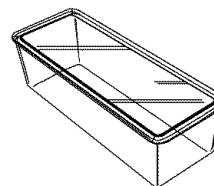
- Légumes à feuilles : Laver à l'eau froide, égoutter et couper ou éliminer les sections endommagées et décolorées. Placer dans un sac ou un contenant en plastique et ranger dans le bac à légumes.

Emplacements de la commande d'humidité :



Casier utilitaire couvert

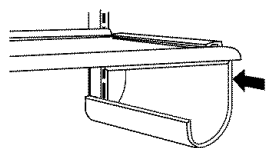
REMARQUE : Garder les oeufs dans un contenant à couvercle ou dans le contenant original sur une tablette intérieure pour un remisage prolongé.



Casier à vin

Pour retirer et réinstaller le casier à vin :

1. Retirer le casier en le tirant tout droit hors de la tablette.
2. Réinstaller le casier en le glissant entre la tablette et la paroi du réfrigérateur.



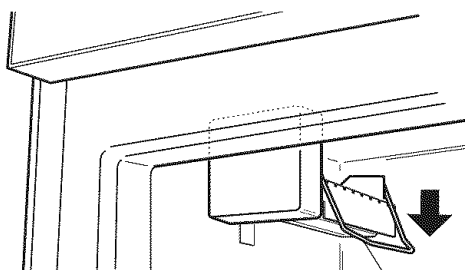
CARACTÉRISTIQUES DU CONGÉLATEUR

Machine à glaçons et bac/seau d'entreposage

Mise en marche/arrêt de la machine à glaçons :

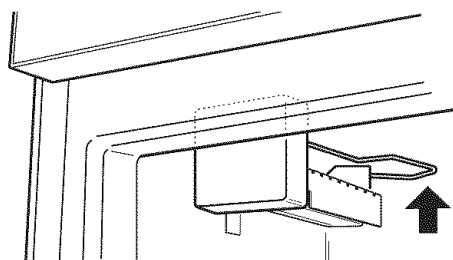
Le commutateur marche/arrêt pour la machine à glaçons est un bras de commande en broche situé sur le côté de la machine à glaçons.

1. Pour mettre la machine à glaçons en marche, il suffit d'abaisser le bras de commande en broche.



REMARQUE : Votre machine à glaçons s'arrête automatiquement. Au fur et à mesure de la fabrication de la glace, les glaçons remplissent le bac d'entreposage. Les glaçons soulèvent le bras de commande en broche à la position OFF (élevée).

2. Pour un arrêt manuel, soulever le bras de commande en broche à la position OFF (élevée) et écouter le déclic pour s'assurer que la machine à glaçons ne continuera pas de fonctionner.



Augmentation du taux de production de glaçons :

- Dans le mode de production normale, la machine à glaçons devrait produire de 7 à 9 lots de glaçons par période de 24 heures. Si les glaçons ne sont pas fabriqués assez rapidement, tourner la commande du congélateur vers un chiffre plus élevé (plus froid). Attendre 24 heures entre chaque augmentation.

Entretien du bac d'entreposage de glaçons :

1. Vider le bac à glaçons. Utiliser de l'eau tiède pour fondre la glace si nécessaire.
REMARQUE : Ne jamais utiliser un objet pointu pour briser les glaçons dans le bac. Cette action peut endommager le bac et le mécanisme du distributeur.
2. Laver le bac à l'aide d'un détergent doux, bien rincer et sécher à fond. Ne pas utiliser de nettoyeurs forts ou abrasifs ni de dissolvants.

À NOTER :

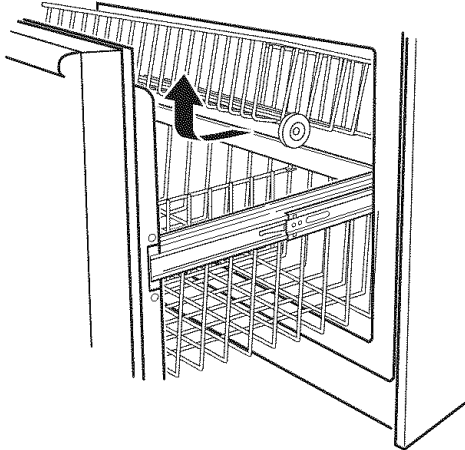
- Accorder 24 heures pour produire la première quantité de glaçons.
- Jeter les trois premières quantités de glaçons produites pour éviter les impuretés qui peuvent être expulsées du système.
- La qualité de vos glaçons sera seulement aussi bonne que la qualité de l'eau fournie à votre machine à glaçons.
- Éviter de brancher la machine à glaçons à un approvisionnement d'eau adoucie. Les produits chimiques adoucisseurs d'eau (tels que le sel) peuvent endommager des pièces de la machine à glaçons et causer une piètre qualité de glaçons. Si une alimentation d'eau adoucie ne peut pas être évitée, s'assurer que l'adoucisseur d'eau fonctionne bien et est bien entretenu.
- Il est normal que les glaçons collent ensemble aux coins. Ils se sépareront facilement.
- Ne pas forcer le bras de commande en broche vers le haut ou vers le bas.
- Ne pas garder quoi que ce soit sur le dessus de la machine à glaçons ou dans le bac à glaçons.
- Il est possible que 3 à 4 jours soient nécessaires pour que le bac à glaçons se remplisse complètement, si on n'utilise pas de glaçons.

Panier du congélateur amovible

Le panier du congélateur peut être utilisé pour garder des sacs de fruits et de légumes congelés qui pourraient glisser hors des tablettes de congélateur.

Pour enlever et réinstaller le panier du congélateur :

1. Arrêter la machine à glaçons. Retirer le panier du congélateur.
2. Soulever le devant du panier et le glisser complètement vers l'extérieur.



3. Replacer le panier en appuyant l'arrière du panier dans les glissières de la tablette. Abaisser le devant du panier.
4. Mettre en marche la machine à glaçons.

Guide d'entreposage des aliments surgelés

Les périodes de conservation varieront selon la qualité et le type d'aliment, le type d'emballage ou de pellicule utilisés (hermétiques et à l'épreuve de l'humidité) et la température d'entreposage. Les cristaux de glace à l'intérieur d'un emballage scellé sont normaux. Les cristaux signifient simplement que l'humidité dans les aliments et l'air à l'intérieur de l'emballage se sont condensés.

Ne pas placer plus d'aliments non congelés dans le congélateur que la quantité qui congèlera dans l'intervalle de 24 heures (pas plus de 2 à 3 lb [907 à 1 350 g par L] d'aliments par pied cube d'espace dans le congélateur). Laisser assez d'espace dans le congélateur pour permettre la circulation d'air entre les emballages. S'assurer aussi de laisser assez d'espace pour que la porte ferme hermétiquement.

Pour plus de renseignements au sujet de la préparation des aliments pour la congélation, consulter un guide pour congélateur ou un livre de recettes fiable.

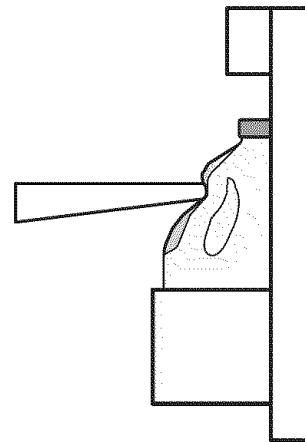
CARACTÉRISTIQUES DE LA PORTE

Compartiments dans la porte

Les deux compartiments supérieurs de la porte peuvent contenir des bouteilles de 2 litres et sont réglables. Le compartiment inférieur de la porte est fixe et peut contenir des contenants de un gallon.

Compartiment pour contenant de un gallon

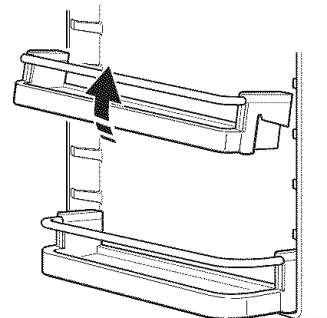
REMARQUE : Ne pas placer une tablette intérieure directement en face du compartiment pour contenants de un gallon, tel qu'illustré. Le compartiment pour contenants de un gallon ou son contenu empêchera la porte du réfrigérateur de se fermer et pourrait endommager les compartiments et les tablettes.



Compartiments dans la porte

Pour enlever et réinstaller les compartiments dans la porte :

1. Enlever le compartiment en le soulevant et en le retirant tout droit.
2. Réinstaller le compartiment en insérant les crochets dans les encoches sur les deux côtés de la porte du réfrigérateur. Pousser sur le compartiment pour l'enclencher en place.



ENTRETIEN DU RÉFRIGÉRATEUR

Nettoyage

AVERTISSEMENT



Risque d'explosion

Utiliser un produit de nettoyage ininflammable.

Le non-respect de cette instruction peut causer un décès, une explosion ou un incendie.

Les sections de réfrigération et de congélation se dégivrent automatiquement. Toutefois, nettoyer les deux sections à peu près une fois par mois pour empêcher une accumulation d'odeurs. Essuyer les renversements immédiatement.

Nettoyage du réfrigérateur :

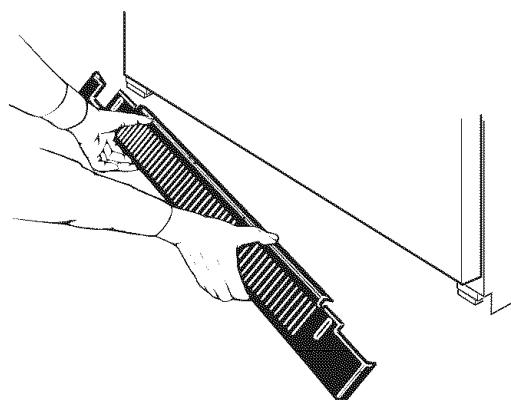
1. Enlever la grille supérieure. Voir la section "Commutateur marche/arrêt".
2. Mettre le commutateur à la position OFF (arrêt).
3. Retirer toutes les pièces amovibles de l'intérieur, telles que les tablettes, bacs, etc.
4. Laver à la main, rincer et sécher les pièces amovibles et les surfaces internes à fond. Utiliser une éponge propre ou un linge doux et un détergent doux dans de l'eau tiède.
 - Ne pas utiliser des nettoyants abrasifs ou forts tels que les nettoyants à vitre en atomiseurs, nettoyants à récurer, liquides inflammables, cires nettoyantes, détergents concentrés, eaux de Javel ou nettoyants contenant du pétrole, sur les pièces en plastique, les garnitures intérieures et de portes ou les joints de portes. Ne pas utiliser d'essuie-tout, tampons à récurer ou autres articles de nettoyage abrasifs. Ces produits risquent d'égratigner ou d'endommager les matériaux.
 - Pour aider à éliminer les odeurs, on peut laver les parois intérieures avec un mélange d'eau tiède et de bicarbonate de soude (2 c. à soupe pour 1 pinte [26 g pour 0,95 L] d'eau).
5. Laver les surfaces extérieures en acier inoxydable ou peintes avec une éponge propre ou un linge doux et un détergent doux dans de l'eau tiède. Ne pas utiliser de nettoyants abrasifs ou forts. Sécher à fond avec un linge doux. Pour mieux protéger les surfaces métalliques extérieures peintes contre les dommages, appliquer une cire pour appareil électroménager (ou cire en pâte) pour automobile avec un linge propre et doux. Ne pas cirer les pièces en plastique.

REMARQUE : Pour conserver à votre réfrigérateur en acier inoxydable son aspect neuf et enlever les petites égratignures ou marques, il est suggéré d'utiliser le Nettoyant et poli pour acier inoxydable approuvé par le fabricant.

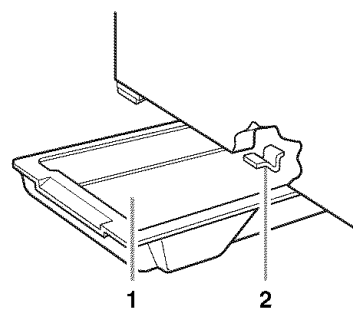
IMPORTANT : Ce nettoyant est destiné aux pièces en acier inoxydable seulement!

Veiller à ce que le nettoyant et poli pour acier inoxydable n'entre pas en contact avec les pièces de plastique telles que garnitures, couvercles de distributeurs ou joints de porte. En cas de contact accidentel, nettoyer la pièce de plastique avec une éponge et un détergent doux et de l'eau tiède. Sécher à fond avec un linge doux. Pour commander le nettoyant, voir la section "Accessoires".

6. Nettoyer régulièrement les serpentins du condenseur situés derrière le panneau d'aération de la grille supérieure. Il se peut que les serpentins aient besoin d'être nettoyés aussi souvent qu'à tous les deux mois. Ce nettoyage pourrait aider à économiser de l'énergie.
 - Employer un aspirateur avec un accessoire long pour nettoyer les serpentins du condenseur lorsqu'ils sont sales ou poussiéreux.
7. Nettoyer le bac de dégivrage avec un détergent doux et de l'eau tiède. Sécher à fond.
 - Ôter la grille de la base en enlevant une vis à chaque extrémité.



- Retirer le bac de dégivrage en poussant vers le haut sur l'attache de retenue sous le réfrigérateur tout en glissant le bac vers l'avant.



1. Bac de dégivrage
2. Attache de retenue

- Réinstaller le bac de dégivrage en positionnant le bord du bac à environ 7 po (17,8 cm) du côté gauche du réfrigérateur. Soulever le bac de dégivrage dans les guides et le pousser puis placer le bac du côté interne de l'attache de retenue. Réinstaller la grille de la base et ses vis.
8. Mettre le commutateur à la position ON (marche).
 9. Réinstaller la grille supérieure. Voir la section "Commutateur marche/arrêt".

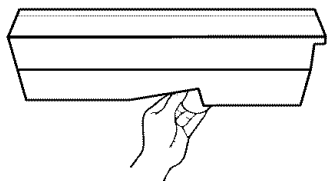
Remplacement des ampoules d'éclairage

REMARQUE : Votre réfrigérateur ne pourra pas accommoder toutes les ampoules pour appareils ménagers. S'assurer de faire le remplacement par une ampoule de grosseur et de forme semblables. Les lampes demandent une ampoule d'appareil ménager de 40 à 60 watts. Les ampoules de remplacement sont disponibles chez votre marchand.

1. Enlever la grille supérieure, voir la section "Commutateur marche/arrêt".
2. Mettre le commutateur à la position OFF (arrêt).
3. Enlever le protecteur d'ampoule s'il y a lieu, comme sur l'illustration.
REMARQUE : Pour nettoyer le protecteur d'ampoule, le laver à l'eau tiède et un détergent liquide. Bien rincer et sécher le protecteur d'ampoule.
4. Enlever l'ampoule d'éclairage et la remplacer par une de même taille, force et tension.
5. Replacer le protecteur d'ampoule s'il y a lieu, comme sur l'illustration.
6. Mettre le commutateur à la position ON (marche).
7. Réinstaller la grille supérieure, voir la section "Commutateur marche/arrêt".

Lampes du tableau de commande du réfrigérateur

Accéder à l'arrière du tableau de commande du réfrigérateur et du congélateur (situé à la partie supérieure du compartiment de réfrigération) pour enlever et remplacer l'ampoule d'éclairage.



Lampe du congélateur (au-dessus du bac d'entreposage de glaçons)

Accéder à l'arrière du tableau (situé à la partie supérieure du compartiment de congélation) pour enlever et remplacer l'ampoule d'éclairage.

Pannes de courant

Si le service doit être interrompu pendant 24 heures ou moins, garder les deux portes du réfrigérateur fermées pour aider les aliments à demeurer froids et congelés.

Si le service doit être interrompu pendant plus de 24 heures, faire l'une des choses suivantes :

- Retirer tous les aliments congelés et les entreposer dans un entrepôt frigorifique.
- Placer 2 lbs (907 g) de neige carbonique dans le congélateur pour chaque pied cube (28 L) d'espace de congélation. Ceci permettra de garder les aliments congelés durant deux à quatre jours.
- S'il n'y a pas d'entrepôt frigorifique ni de neige carbonique, consommer ou mettre immédiatement en conserve les aliments périssables.

À NOTER : Un congélateur plein restera froid plus longtemps qu'un congélateur partiellement rempli. Un congélateur plein de viande demeure froid plus longtemps qu'un congélateur rempli de pains et de pâtisseries. Si les aliments contiennent des cristaux de glace, ils peuvent être remis à congeler même si la qualité et la saveur risquent d'être affectées. Si les aliments semblent de piètre qualité, les jeter.

Entretien avant les vacances

Votre réfrigérateur est muni de la caractéristique Holiday Mode (Mode de vacances), qui est conçue pour le voyageur qui désire économiser plus d'énergie. En sélectionnant cette caractéristique les réglages de température resteront les mêmes mais la machine à glaçons sera désactivée et les lampes intérieures s'éteindront.

Si vous choisissez de laisser le réfrigérateur en fonctionnement pendant votre absence :

1. Consommer tous les aliments périssables et congeler les autres articles.
2. Appuyer sur la touche HOLIDAY MODE.
3. Si votre réfrigérateur a une machine à glaçons automatique, fermer l'approvisionnement d'eau de la machine à glaçons.
4. Vider le bac à glaçons.
5. Quand vous revenez de vacances, appuyer sur HOLIDAY MODE pour retourner au fonctionnement normal.

Si vous choisissez d'arrêter le fonctionnement du réfrigérateur avant votre absence :

1. Enlever tous les aliments du réfrigérateur.
2. Si votre réfrigérateur a une machine à glaçons automatique :
 - Fermer l'approvisionnement d'eau de la machine à glaçons au moins une journée à l'avance.
 - Lorsque la dernière quantité de glaçons est déposée, soulever le bras de commande en broche à la position OFF (élevée).
3. Tourner la commande du thermostat (ou la commande du réfrigérateur, selon le modèle) à OFF. Voir la section "Réglage des commandes".
4. Nettoyer le réfrigérateur, l'essuyer et bien le sécher.
5. À l'aide d'un ruban adhésif, placer des blocs de caoutchouc ou de bois dans la partie supérieure de chaque porte de façon à ce qu'elles soient suffisamment ouvertes pour permettre l'entrée de l'air à l'intérieur, afin d'éviter l'accumulation d'odeur ou de moisissure.

DÉPANNAGE

Essayer les solutions suggérées ici en premier afin d'éviter le coût d'une visite de service inutile.

Le réfrigérateur ne fonctionne pas

- **Le cordon d'alimentation électrique est-il débranché?** Brancher sur une prise à 3 alvéoles reliée à la terre.
 - **Un fusible est-il grillé ou le disjoncteur s'est-il déclenché?** Remplacer le fusible ou réenclencher le disjoncteur.
 - **Le réglage du réfrigérateur ou du congélateur est-il à la position OFF (arrêt)?** Voir la section "Utilisation des commandes".
 - **Le réfrigérateur est-il en train de se dégivrer?** Vérifier si le réfrigérateur fonctionne au bout de 30 minutes. Le réfrigérateur exécutera régulièrement un programme automatique de dégivrage.
 - **Le réfrigérateur ne refroidit pas?** Pour les modèles avec commandes numériques, tourner l'appareil à OFF, ensuite à ON de nouveau pour la remise en marche. Voir la section "Utilisation des commandes". Si cette action ne corrige pas le problème, faire un appel de service.
-

Les ampoules n'éclairent pas

- **Le cordon d'alimentation électrique est-il débranché?** Brancher sur une prise à 3 alvéoles reliée à la terre.
 - **Une ampoule d'éclairage est-elle desserrée dans la douille ou grillée?** Voir la section "Remplacement des ampoules d'éclairage".
 - **La porte a-t-elle été ouverte pendant plus de 10 minutes?** Lorsque la porte est ouverte pendant plus de 10 minutes, le témoin lumineux "Door open" (porte ouverte) clignote et les ampoules d'éclairage à l'intérieur s'éteignent. Voir "Porte ouverte" dans la section "Utilisation des commandes".
-

Le plat de dégivrage contient de l'eau

- **Le réfrigérateur est-il en train de se dégivrer?** L'eau s'évaporerait. Il est normal que l'eau dégoutte dans le plat de dégivrage.
 - **Y a-t-il plus d'humidité que d'habitude?** Prévoir que l'eau dans le plat de dégivrage prendra plus de temps à s'évaporer. Ceci est normal quand il fait humide.
-

Le moteur semble fonctionner excessivement

- **La température ambiante est-elle plus chaude que d'habitude?** Prévoir que le moteur fonctionnera plus longtemps dans des conditions de chaleur. Pour des températures ambiantes normales, prévoir que le moteur fonctionnera à environ 80% du temps. Dans des conditions plus chaudes, prévoir un fonctionnement encore plus fréquent.
 - **Vient-on d'ajouter une grande quantité d'aliments au réfrigérateur?** L'addition d'une grande quantité d'aliments réchauffe le réfrigérateur. Il est normal que le moteur fonctionne plus longtemps afin de refroidir de nouveau le réfrigérateur.
-

- **Les portes sont-elles ouvertes fréquemment?** Prévoir que le moteur fonctionnera plus longtemps dans ce cas. Afin de conserver l'énergie, essayer de sortir tout ce dont vous avez besoin du réfrigérateur à la fois, garder les aliments organisés de sorte qu'ils soient faciles à trouver et fermer la porte dès que les aliments sont retirés.
- **Les réglages sont-ils faits correctement pour les conditions ambiantes?** Voir la section "Utilisation des commandes".
- **Les portes sont-elles complètement fermées?** Pousser les portes pour qu'elles soient bien fermées. Si les portes ne se ferment pas complètement, voir "Les portes ne se ferment pas complètement" plus loin dans cette section.
- **Les serpentins du condenseur sont-ils sales?** Cette situation empêche le transfert de l'air et fait travailler davantage le moteur. Nettoyer les serpentins du condenseur. Voir la section "Nettoyage".
- **Les joints des portes sont-ils hermétiques sur tout le contour?** Contacter une personne qualifiée ou un technicien.

REMARQUE : Votre réfrigérateur neuf fonctionnera plus longtemps que l'ancien appareil du fait de son moteur très efficace.

Le réfrigérateur semble faire trop de bruit

- **Les bruits peuvent être normaux pour votre réfrigérateur.** Voir la section "Sons normaux".
-

La machine à glaçons ne produit pas de glaçons ou trop peu

- **La machine à glaçons vient-elle juste d'être installée?** Le bac à glaçons peut contenir de 14 à 17 lb (6,6 à 7,7 kg) de glace. Le bac à glaçons peut prendre trois à quatre jours pour se remplir complètement, si on n'utilise pas de la glace durant cette période.
- **La température du congélateur est-elle assez froide pour produire des glaçons?** Attendre 24 heures après la connexion de la machine à glaçons pour la production de glaçons. Voir la section "Utilisation des commandes".
- **Le bras de commande en broche de la machine à glaçons est-il en position OFF (élevée) (sur certains modèles)?** Abaisser le bras de commande en broche à la position ON (abaissée). Voir la section "Machine à glaçons et bac/seau d'entreposage".
- **Le robinet d'arrêt de la canalisation d'eau reliée au réfrigérateur est-il ouvert?** Ouvrir le robinet d'eau. Voir la section "Raccordement de la canalisation d'eau au réfrigérateur" dans les Instructions d'installation.
- **Un glaçon est-il coincé dans le bras de l'éjecteur?** Enlever le glaçon coincé à l'aide d'un ustensile en plastique. Voir la section "Machine à glaçons et bac/seau d'entreposage".
- **Y a-t-il de l'eau dans le moule de la machine à glaçons ou est-ce qu'aucun glaçon n'a été produit?** Vérifier si le réfrigérateur a été branché à la canalisation d'eau de la maison, et si le robinet d'arrêt de la canalisation est ouvert. Voir la section "Raccordement de la canalisation d'eau au réfrigérateur" dans les Instructions d'installation.

- **Une grande quantité de glaçons vient-elle d'être enlevée?** Accorder 3 à 4 jours pour que le bac à glaçons vide se remplisse, si aucun glaçon n'est utilisé pendant cette période.
- **Les réglages sont-ils faits correctement?** Voir la section "Utilisation des commandes".

REMARQUE : Si cette situation n'est pas attribuable à ce qui précède, il peut exister un problème avec la canalisation d'eau. Faire un appel de service.

Mauvais goût, odeur ou couleur grise des glaçons

- **Les raccords de plomberie sont-ils neufs et causent-ils une décoloration et un mauvais goût des glaçons?** Jeter les premières quantités de glaçons.
- **Les glaçons ont-ils été gardés trop longtemps?** Jeter les vieux glaçons et en faire une nouvelle provision.
- **Le congélateur et le bac à glaçons ont-ils besoin d'être nettoyés?** Voir la section "Nettoyage" ou "Machine à glaçons et bac/seau d'entreposage".
- **Les aliments dans le congélateur ou le réfrigérateur ont-ils été bien emballés?** Utiliser un emballage hermétique et à l'épreuve de l'humidité pour empêcher le transfert d'odeur aux aliments entreposés.
- **L'eau contient-elle des minéraux (tels que le soufre)?** L'installation d'un filtre peut être requise afin d'enlever les minéraux.

La cloison entre les deux sections est tiède

La température tiède est probablement attribuable à un fonctionnement normal du réglage automatique de l'humidité de l'extérieur. En cas de doute, faire un appel de service.

La température est trop tiède

- **Les ouvertures d'aération sont-elles bloquées dans une section ou l'autre?** Cette obstruction empêche le mouvement de l'air froid du congélateur au réfrigérateur. Enlever tous les objets placés en avant des ouvertures d'aération. Consulter la section "Pour s'assurer d'une circulation d'air appropriée" pour l'emplacement des ouvertures d'aération.
- **La ou les portes sont-elles ouvertes souvent?** Prévoir que le réfrigérateur deviendra tiède dans ce cas. Pour garder le réfrigérateur froid, essayer de sortir tout ce dont vous avez besoin du réfrigérateur à la fois, garder les aliments bien organisés et fermer la porte dès que les aliments sont retirés.
- **Vient-on d'ajouter une grande quantité d'aliments au réfrigérateur ou au congélateur?** L'addition d'une grande quantité d'aliments réchauffe le réfrigérateur. Plusieurs heures peuvent être nécessaires pour que le réfrigérateur revienne à la température normale.

- **Les réglages sont-ils faits correctement pour les conditions ambiantes?** Voir la section "Utilisation des commandes".
- **Le réfrigérateur ne refroidit pas?** Pour les modèles avec commandes numériques, tourner l'appareil à OFF ensuite à ON de nouveau pour la remise en marche. Voir la section "Utilisation des commandes". Si cette action ne corrige pas le problème, faire un appel de service.

Il y a une accumulation d'humidité à l'intérieur

- **Les ouvertures de circulation d'air sont-elles obstruées dans le réfrigérateur?** Enlever tous les objets en avant des ouvertures d'air. Se référer à la section "Pour s'assurer d'une circulation d'air appropriée" pour l'emplacement des ouvertures d'air.
- **La ou les portes sont-elles ouvertes souvent?** Pour éviter l'accumulation d'humidité, essayer de sortir tout ce dont vous avez besoin du réfrigérateur à la fois, en gardant les aliments organisés et fermer la porte dès que possible.
- **La pièce est-elle humide?** Il est normal que l'humidité s'accumule à l'intérieur du réfrigérateur lorsque l'air de l'extérieur est humide.
- **Les aliments sont-ils bien emballés?** Vérifier que tous les aliments sont bien emballés. Essuyer les contenants humides d'aliments avant de les placer au réfrigérateur.
- **Les réglages sont-ils faits correctement pour les conditions ambiantes?** Voir la section "Utilisation des commandes".
- **Un programme autodégivreur vient-il de se terminer?** Il est normal que des gouttelettes se forment après que le réfrigérateur se dégivre automatiquement.

Les portes ne se ferment pas complètement

- **Les emballages d'aliments empêchent-ils la porte de fermer?** Réorganiser les contenants de sorte qu'ils soient plus rapprochés et prennent moins d'espace.
- **Le bac à glaçons ou le seau à glaçons est-il en bonne position?** Pousser le bac à glaçons jusqu'au fond. Si le bac ne va pas jusqu'au fond, il n'est peut-être pas droit. Le retirer et essayer de nouveau. Voir la section "Machine à glaçons et bac/seau d'entreposage".
- **Les plats, tablettes, bacs ou paniers sont-ils en bonne position?** Placer le couvercle du bac à légumes et tous les plats, tablettes, bacs et paniers à la position correcte. Voir plus de renseignements à la section "Bac à légumes et couvercle du bac à légumes".
- **Les joints sont-ils collants?** Nettoyer les joints d'étanchéité conformément aux directions dans la section "Nettoyage".
- **Le réfrigérateur branle-t-il ou semble-t-il instable?** Nivelier le réfrigérateur. Consulter la section "Ajustement des portes" ou "Nivellement du réfrigérateur" dans les Instructions d'installation.

Les portes sont difficiles à ouvrir

- **Les joints sont-ils sales ou collants?** Nettoyer les joints d'étanchéité conformément aux directions dans la section "Nettoyage".

ASSISTANCE OU SERVICE

Avant de faire un appel pour assistance ou service, veuillez vérifier "Dépannage". Cette vérification peut vous faire économiser le coût d'une visite de service. Si vous avez encore besoin d'aide, suivre les instructions ci-dessous.

Lors d'un appel, veuillez connaître la date d'achat et les numéros au complet de modèle et de série de votre appareil. Ces renseignements nous aideront à mieux répondre à votre demande.

Si vous avez besoin de pièces de rechange

Si vous avez besoin de commander des pièces de rechange, nous vous recommandons d'utiliser seulement les pièces de rechange d'origine. Les pièces de rechange d'origine conviendront et fonctionneront bien parce qu'elles sont fabriquées selon les mêmes spécifications précises utilisées pour fabriquer chaque nouvel appareil KITCHENAID®.

Pour localiser des pièces de rechange d'origine dans votre région, téléphoner au Centre d'interaction avec la clientèle ou au centre de service désigné le plus proche.

Téléphoner sans frais au Centre d'interaction avec la clientèle de KitchenAid Canada au : **1-800-461-5681** Du lundi au vendredi - de 8 h 00 à 18 h 00 (HNE). Samedi - de 8 h 30 à 16 h 30 (HNE).

Nos consultants fournissent de l'assistance pour :

- Caractéristiques et spécifications de notre gamme complète d'appareils ménagers.
- Références aux concessionnaires locaux.

Pour service au Canada

Téléphoner au **1-800-807-6777**. Les techniciens de service désignés par KitchenAid Canada sont formés pour remplir la garantie des produits et fournir un service après garantie partout au Canada.

Pour plus d'assistance

Si vous avez besoin de plus d'assistance, vous pouvez écrire à KitchenAid Canada en soumettant toute question ou problème à :

Centre d'interaction avec la clientèle
KitchenAid Canada
1901 Minnesota Court
Mississauga, Ontario L5N 3A7

Dans votre correspondance, veuillez indiquer un numéro de téléphone où l'on peut vous joindre dans la journée.

Accessoires

Pour commander des accessoires, composer le **1-800-442-9991** et demander le numéro de pièce approprié ci-dessous ou contacter votre marchand autorisé KitchenAid. Au Canada, composer le **1-800-807-6777**.

Nettoyant et poli pour acier inoxydable

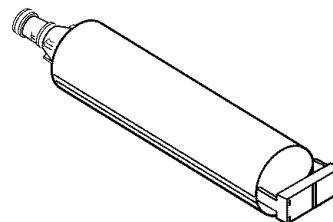
Commander le n° de pièce 8171420

Cartouches de filtre à eau dans la grille de la base :

REMARQUE : Ne pas utiliser avec de l'eau microbiologiquement dangereuse ou de qualité inconnue sans une désinfection adéquate avant ou après le système.

Cartouche standard :

Commander le n° de pièce 4396164 (LC 400)



FEUILLES DE DONNÉES SUR LE PRODUIT

Système de filtration d'eau à la grille de la base, modèle WF-LC400/LC400



Ce produit a été testé et certifié par NSF International en vertu de la norme 42 ANSI/NSF pour la réduction du goût et de l'odeur du chlore (catégorie I) et en vertu de la norme 53 ANSI/NSF pour la réduction du plomb, kystes et turbidité.

Capacité : 400 gallons (1514 litres)
Débit de service : 0,5 GPM (1,89 L/min) à 60 lb/po².

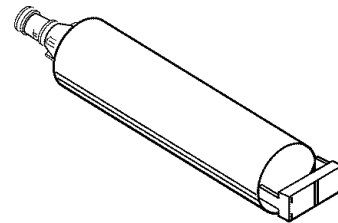
| Réd. de substances Effets esthétiques | U.S. EPA MCL | Affluent moyen | Effluent maximal | Effluent moyen | % de réd. minimale | % de réd. moyenne | Numéro de test NSF |
|--|-----------------|-------------------|---------------------|-------------------|-----------------------|----------------------|-----------------------|
| Goût/odeur de chlore | n.d. | 2,0 mg/L | n.d. | 0,04 mg/L | n.d. | 98% | 994707 |
| Particules | n.d. | 610 000/mL* | n.d. | 154/mL | n.d. | 99% | 994711 |
| Réduction de contaminant | U.S. EPA MCL | Affluent moyen | Effluent maximal | Effluent moyen | % de réd. minimale | % de réd. moyenne | Numéro de test NSF |
| Kyste | 99,95%** | 89 250/mL* | 6/mL | 2,3/mL | 99,993% | 99,997% | 994710 |
| Turbidité | 0,5 NTU | 29 NTU | 0,12 NTU | 0,09 NTU | 99,59% | 99,69% | 994710 |
| Plomb : à pH 6,5 | 0,015 mg/L | 0,16 mg/L*** | 0,001 mg/L | 0,001 mg/L | 99,4% | 99,4% | 994708 |
| Plomb : à pH 8,5 | 0,015 mg/L | 0,16 mg/L*** | 0,002 mg/L | 0,001 mg/L | 98,8% | 99,4% | 994709 |

- Il est essentiel que les exigences de fonctionnement, d'entretien et de remplacement de filtre soient respectées pour que ce produit donne le rendement annoncé.
- **Modèle WF-LC400** Le système de contrôle du filtre mesure la quantité d'eau qui passe par le filtre et vous signale quand remplacer le filtre. Lorsque 90% de la vie utile du filtre est écoulée, le témoin lumineux du filtre passe du vert au jaune. Lorsque 100% de la vie utile du filtre est écoulée, le témoin lumineux du filtre passe du jaune au rouge et il est recommandé de remplacer le filtre. Utiliser une cartouche de remplacement LC400, n° de pièce 4396164. Prix suggéré au détail en 2002 de 39,95 \$US/49,95 \$CAN. Les prix sont sujets à des changements sans préavis.
- Le produit ne doit être utilisé que pour l'eau froide seulement.
- **Ne pas utiliser avec de l'eau microbiologiquement dangereuse ou de qualité inconnue sans une désinfection adéquate avant ou après le système.**

- Veuillez consulter la page de couverture ou la section "Assistance ou service" pour le nom, l'adresse et le numéro de téléphone du fabricant.
- Veuillez consulter à la section "Garantie" pour la garantie limitée du fabricant.

Directives d'application/Paramètres d'approvisionnement en eau.

| | |
|--------------------------|---|
| Approvisionnement en eau | Collectivité ou puits |
| Pression d'eau | 30 - 120 lb/po ² (207 - 827 kPa) |
| Température d'eau | 33° - 100 °F (0,6° - 37,8 °C) |



* L'exigence de test est au moins 100 000 particules/mL de poussière de test fine AC.

** Le rendement en rapport aux kystes est le % de réduction, d'après la norme 53 NSF.

*** L'exigence de test est 0,15 mg/L ± 10%. Ces contaminants ne sont pas nécessairement dans votre approvisionnement d'eau. Le rendement peut varier selon les conditions locales de l'eau.

GARANTIE DU RÉFRIGÉRATEUR ENCASTRÉ KITCHENAID®

GARANTIE COMPLÈTE DE DEUX ANS SUR LE RÉFRIGÉRATEUR

Pour une période de deux ans à partir de la date d'achat, lorsque ce réfrigérateur (à l'exclusion des cartouches du filtre d'eau) est utilisé et entretenu conformément aux instructions fournies avec le produit, KitchenAid paiera pour les pièces de rechange spécifiées par l'usine et les frais de réparation pour corriger les vices de matériaux ou de fabrication. Les pièces de rechange et les frais de main d'oeuvre pour corriger les vices des ampoules d'éclairage, pendant un an. Les travaux doivent être effectués par une compagnie de service désignée par KitchenAid.

Cartouche de filtre à eau : garantie limitée de 30 jours du filtre à eau. Pour une période de 30 jours à partir de la date d'achat, lorsque ce filtre est utilisé et entretenu conformément aux instructions fournies avec le produit, KitchenAid paiera pour les pièces de rechange pour corriger les vices de matériaux et de fabrication.

GARANTIE COMPLÈTE DE LA TROISIÈME À LA SIXIÈME ANNÉE INCLUSIVEMENT SUR LES PIÈCES DU SYSTÈME DE RÉFRIGÉRATION SCÉLLÉ, TELLES QU'INDIQUÉES

De la troisième à la sixième année inclusivement à partir de la date d'achat, lorsque ce réfrigérateur est utilisé et entretenu conformément aux instructions fournies avec le produit, KitchenAid paiera pour les pièces de rechange spécifiées par l'usine et les frais de réparation pour corriger les vices de matériaux ou de fabrication dans le système de réfrigération scellé. Ces pièces sont : le compresseur, l'évaporateur, le condenseur, le dispositif de séchage et les tubes de raccord. Les travaux doivent être effectués par une compagnie de service désignée par KitchenAid.

GARANTIE LIMITÉE DE LA SEPTIÈME À LA DOUZIÈME ANNÉE INCLUSIVEMENT SUR LE SYSTÈME DE RÉFRIGÉRATION SCÉLLÉ

De la septième à la douzième année inclusivement à partir de la date d'achat, lorsque ce réfrigérateur est utilisé et entretenu conformément aux instructions fournies avec le produit, KitchenAid paiera pour les pièces de rechange spécifiées par l'usine pour corriger les vices de matériaux ou de fabrication dans le système de réfrigération scellé. Ces pièces sont : le compresseur, l'évaporateur, le condenseur, le dispositif de séchage et les tubes de raccord.

GARANTIE LIMITÉE À VIE SUR LES COMPARTIMENTS DANS LA PORTE

Pour la vie utile du produit, lorsque ce réfrigérateur est utilisé et entretenu conformément aux instructions fournies avec le produit, KitchenAid remplacera tous les compartiments dans la porte par suite de vices de matériaux ou de fabrication.

KitchenAid ne paiera pas pour :

1. Les visites de service pour rectifier l'installation du réfrigérateur, montrer à l'utilisateur comment utiliser le réfrigérateur ou remplacer des fusibles, rectifier le câblage électrique ou la plomberie du domicile, remplacer des ampoules électriques, ou les filtres à eau de rechange sauf ce qui est indiqué ci-dessus.
2. Les réparations lorsque le réfrigérateur est utilisé à des fins autres qu'un usage unifamilial normal.
3. La prise en charge et la livraison du réfrigérateur. Le réfrigérateur est conçu pour être réparé à domicile.
4. Les dommages causés par : accident, modification, mésusage, abus, incendie, inondation, mauvaise installation, actes de Dieu, ou l'utilisation de produits non approuvés par KitchenAid ou KitchenAid Canada.
5. Toute perte d'aliments ou de médicaments attribuable à une malfunction du produit.
6. Les réparations de pièces ou systèmes attribuables à des modifications non autorisées de l'appareil ménager.
7. L'enlèvement et le remplacement de garnitures ou de panneaux décoratifs qui nuisent à l'entretien du produit.
8. La main d'oeuvre ou les pièces installées par une compagnie de service non désignée durant la période de garantie complète, à moins d'une approbation par KitchenAid avant que le service ne soit effectué.
9. Au Canada, les frais de déplacement ou de transport pour les clients qui habitent dans des régions éloignées.
10. Les frais de main-d'oeuvre durant les périodes des garanties limitées.

KITCHENAID ET KITCHENAID CANADA DÉCLINENT TOUTE RESPONSABILITÉ AU TITRE DE DOMMAGES SECONDAIRES OU INDIRECTS

Certains États ou provinces peuvent ne pas admettre l'exclusion ou la limitation des dommages secondaires ou indirects; par conséquent, l'exclusion ou la limitation mentionnée ci-dessus peut ne pas s'appliquer dans votre cas. Cette garantie vous confère des droits juridiques spécifiques; vous pouvez également jouir d'autres droits, variables d'un État à un autre ou d'une province à une autre.

À l'extérieur du Canada et des 50 États des États-Unis, cette garantie ne s'applique pas. Contacter votre marchand KitchenAid autorisé pour déterminer si une autre garantie s'applique.

Si vous avez besoin de service, consulter d'abord la section "Dépannage" dans ce manuel. Après avoir vérifié la section "Dépannage", une aide additionnelle peut être trouvée en vérifiant la section "Assistance ou service" ou en téléphonant au Centre d'interaction avec la clientèle KitchenAid au **1-800-422-1230** (sans frais), de n'importe où aux É.-U. Au Canada, contacter votre compagnie de service autorisée par KitchenAid Canada ou téléphoner au **1-800-807-6777**.

8/01

Conserver ce manuel et le reçu de vente ensemble pour référence ultérieure. Il faut fournir une preuve d'achat ou de date d'installation pour le service au titre de la garantie.

Veuillez noter les renseignements suivants à propos du réfrigérateur pour mieux obtenir assistance ou service en cas de besoin. Vous devriez connaître les numéros de modèle et de série complets. Vous pouvez trouver cette information sur la plaque signalétique sur la paroi interne du compartiment de réfrigération.

Nom du marchand _____

Adresse _____

Numéro de téléphone _____

Numéro de modèle _____

Numéro de série _____

Date d'achat _____

2257388

© 2002. All rights reserved.

Todos los derechos reservados.
Tous droits réservés.

® Registered Trademark/TM Trademark of KitchenAid, U.S.A., KitchenAid Canada licensee in Canada

® Marca Registrada/TM Marca de comercio de KitchenAid, U.S.A., Uso en Canadá bajo licencia de KitchenAid Canada
® Marque déposée/TM Marque de commerce de KitchenAid, U.S.A., Emploi licencié par KitchenAid Canada au Canada

10/02

Printed in U.S.A.
Impreso en EE. UU.
Imprimé aux É.-U.

