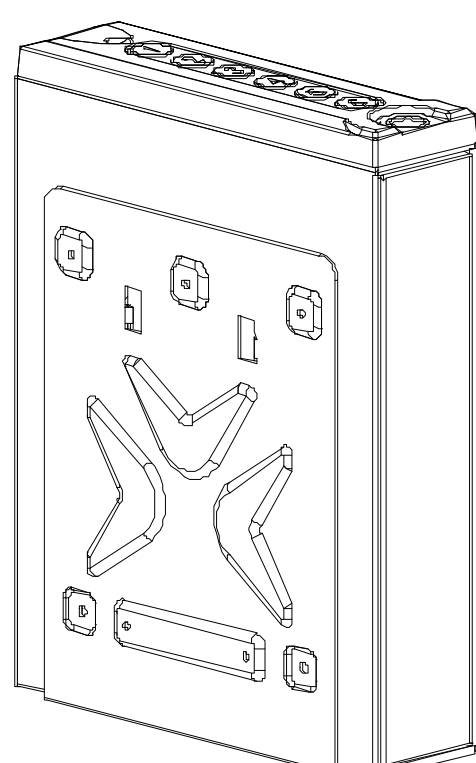


# 148\*210mm(A5)

## 骑马钉

# MUTAK



### User Manual

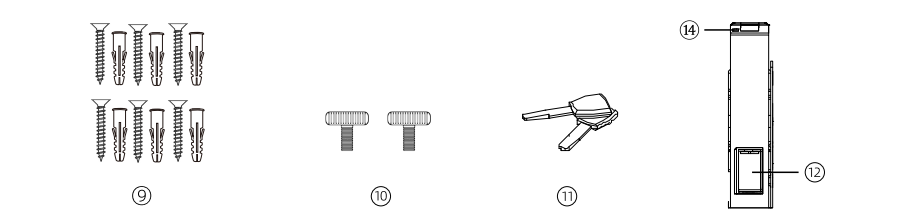
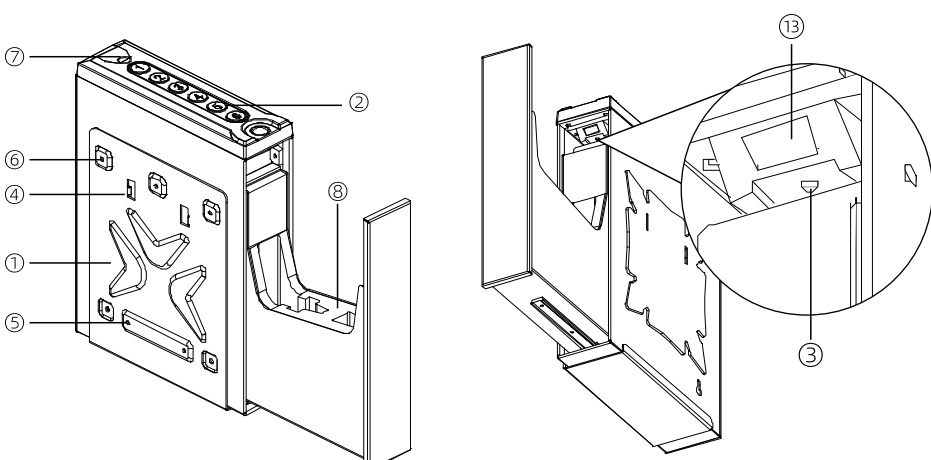
### contents

- Warning \_\_\_\_\_ 1
- Box Contents \_\_\_\_\_ 1
- Specifications \_\_\_\_\_ 2
- Open the first time \_\_\_\_\_ 2
- Open with emergency keys \_\_\_\_\_ 2
- Setting Password \_\_\_\_\_ 2
- Setting Fingerprint \_\_\_\_\_ 3
- Open with password \_\_\_\_\_ 3
- Open with fingerprint \_\_\_\_\_ 3
- Restore factory settings \_\_\_\_\_ 3
- Error alarm \_\_\_\_\_ 3
- App function \_\_\_\_\_ 3
- 1.Download app \_\_\_\_\_ 3
- 2.Link with app \_\_\_\_\_ 4
- 3.Unlock with app \_\_\_\_\_ 4
- 4.Share permissions \_\_\_\_\_ 5
- 5.Change fingerprint/ password setting \_\_\_\_\_ 5
- 6.Mute function \_\_\_\_\_ 6
- 7.Review operation records and battery level \_\_\_\_\_ 6
- Mute function \_\_\_\_\_ 6
- Low voltage alarm \_\_\_\_\_ 6
- Mounting step \_\_\_\_\_ 6
- Adjusting the Foam \_\_\_\_\_ 7

### Warning

- 1.No one is authorized to open the safe before setting the fingerprint
- 2.Do not put a gun that has been loaded inside.
- 3.Always insert batteries correctly with regard to polarity (+and -) as marked on the battery and the product.
- 4.Exhausted batteries should be immediately removed from product and properly disposed.

### Box Contents



1	Mounting Bracket	8	Buttstock Foam
2	Panel (Buttons & Biometric Scanner)	9	Mounting Screws x 6
3	The setting key is under the panel	10	Thumb Screw x 2
4	Holes of Mounting Hook	11	Backup Keys x 2
5	Plug Nut Hole	12	Battery Compartment
6	Fixed Hole	13	LED Light
7	Emergency Keyhole	14	Type C

1

### Specifications

Item	Description
Model Name	GS-103
Net Weight	9.9lbs / 4.5kg
Dimensions	11.8 * 9.1 * 2.6 in(300 * 230 * 65 mm)
Battery Voltage	DC 6V (4x AA batteries needed)
Password Length	4-6 digits
Standby Current	10ua
Working Current	150ma
Working Temperature	-4°F~-15BF(-20°C-70°C)

### Open the first time

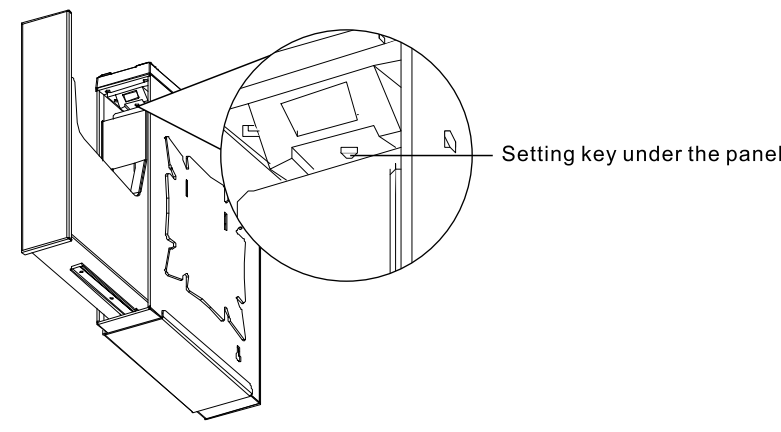
- 1.Open the battery compartment of safe backside.
- 2.Insert AA x 4 Alkaline batteries
- 3.Enter factory password 1234

### Open with emergency keys

When the electronic system is abnormal or the password is forgotten or the battery is exhausted, you can use the emergency key to open the safe.in order to take out the contents in any abnormal situation,please don't put the emergency keys in the pistol safe,but store it separately hidden place.

### Setting Password

- 1.Long press the setting key until the buzzer "beeps" twice
- 2.Enter 4-6digits password, end with pressing the the setting key, buzzer "beeps" twice means setting succeed.



2

### Setting Fingerprint

- 1.Long press the setting key until the buzzer "beeps" twice
- 2.Place the same finger in the fingerprint recognition area 4 times, buzzer "beeps" twice means setting succeed.



### Open with password

- Enter the correct 4-6 digits password.

### Open with fingerprint

- Put the correct fingerprint in the fingerprint recognition area
- Pay attention to the following points:
  - 1.Let the fingerprint fully contact the recognition area.
  - 2.Don't remove your finger as soon as the recognition touches the recognition area,and pause for 1second for system to recognize.

### Restore factory settings

- Long press the setting button more than 5S, until the buzzer "beeps" for a long time, means that the reset is succeed (the fingerprint is cleared;Password:1234; Sound: on)
- If the buzzer beeps 3 times, reset fails

### Error alarm

- If password is input incorrectly 3 times or fingerprint is input incorrectly 5 times, the key panel is locked for 1 minute, the buzzer alarms for 30s (during the alarm,all password/fingerprints are invalid)
- After the alarm, if the input is wrong again, the key panel will be locked for 5 minutes and the buzzer will alarm for 30s (during the alarm,all password/fingerprints are invalid)

### App function

#### 1.Download app

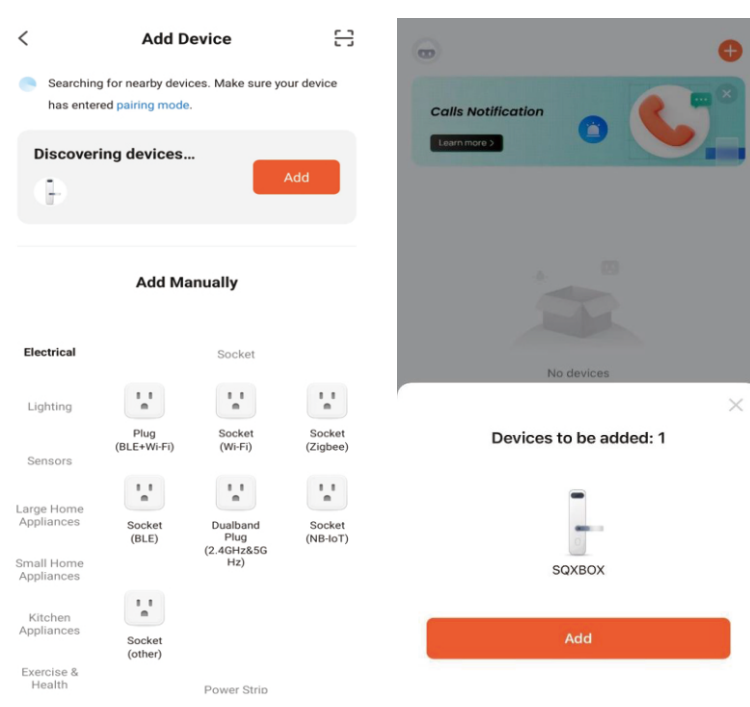
Scan the QR code to download app



3

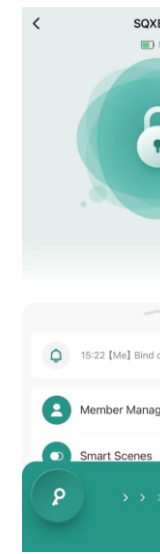
### 2.Link with app

- (1)Open Smart app and keep Mobile Bluetooth on
- (2)Woke up the panel on safe, press "I" twice, and then press "Settings" under the key panel, the blue light will flash.
- (3)Click App "+" button will open to add devices. The device that can be added will automatically link up.



### 3.Unlock with app

Slide the key to unlock



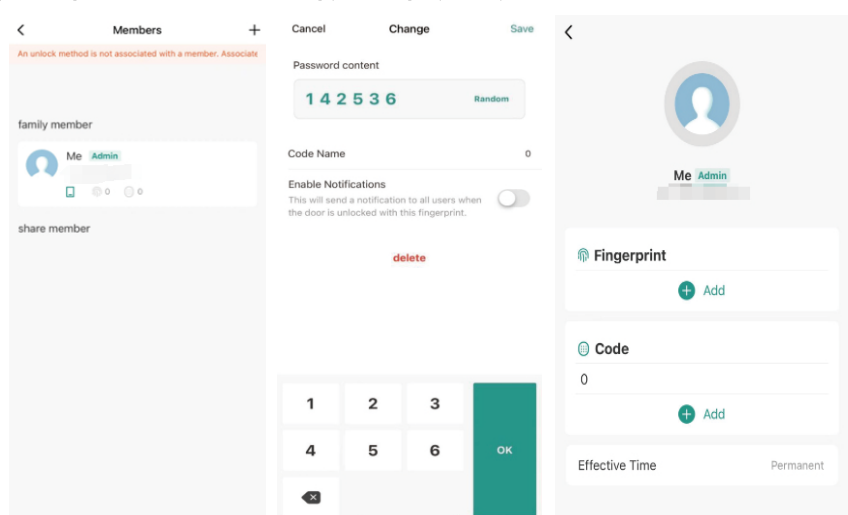
4

### 4.Share permissions

- (1)Click "member management" in home page
- (2)Click "+" in the top right corner, then you can see "share" and "add".

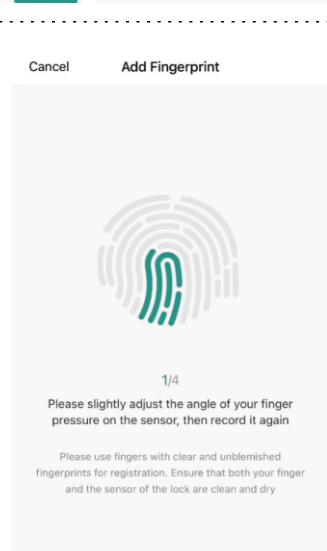
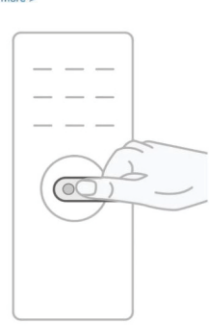
### 5.Change fingerprint/ password setting

- (1)Manage your setting: Click "member management" in home page, and click "Me" to setting your fingerprint/ password.
- (2)Manage other member's setting: Click "member management" in home page, and click corresponding member name to setting your fingerprint/ password.



### How to Add Fingerprint

To add a fingerprint, place a finger on the fingerprint recognition area several times.  
Ensure that your finger fully contacts the fingerprint recognition area. When pressing your finger for registration, we recommend gently rotating the finger angle each time.

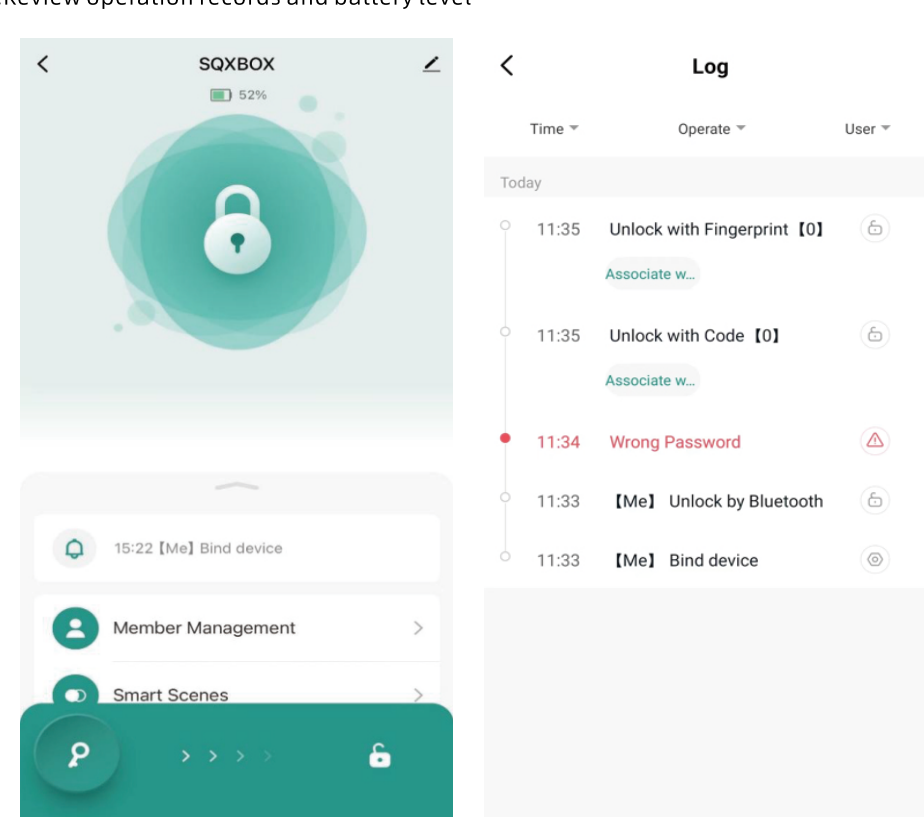


5

### 6.Mute function

Click "more" in home page, you can set the lock volume

### 7.Review operation records and battery level



### Mute function

- In standby mode, long press "4" more than 2s until the green light flashes once to turn on / off the sound.

### Low voltage alarm

- If the battery is lower than 4.8 ± 0.3V, the key panel light will be red and green when opening the door.

### Mounting step



photo1

- 1.Open the safe, pull the triggers of rails in left-side and bottom at the same time, and pull out the drawer.

6

### photo2

- 2.Loosse thumb screw x1 inside the safe, and take out the mounting plate.

### photo3

- 3.Take out screw x4, and fix mounting plate to the side of deck/ desired place.

### photo4

- 4.Hanging the safe on mounting plate, and fix with thumb screw x1 inside.

### photo5

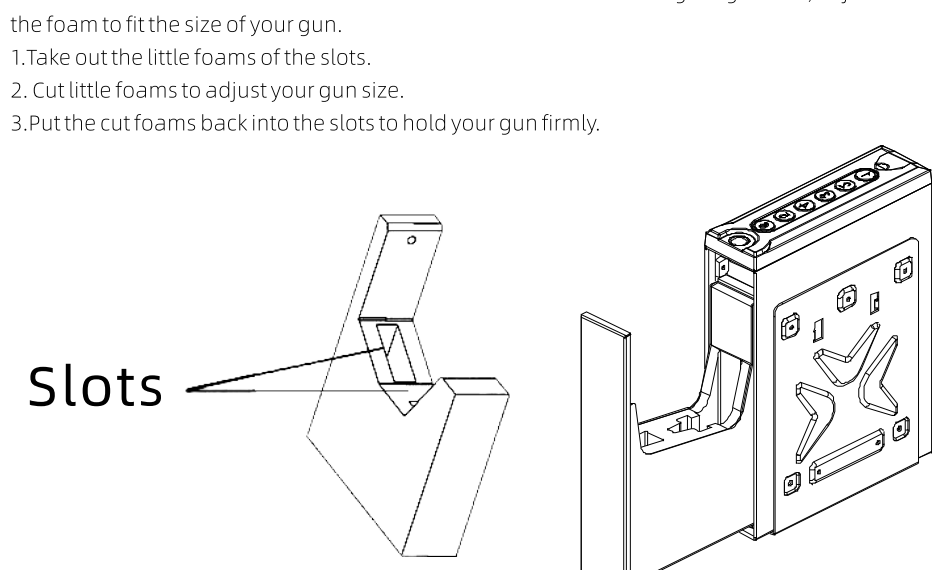
- 5.Pull back the drawer completely

**Note:** Before installing the drawer back, the rails must be aimed.

### Adjusting the Foam

There are two slots cut on the foam inside the Gun Safe. Before installing the gun safe, adjust the slots on the foam to fit the size of your gun.

- 1.Take out the little foams of the slots.
- 2.Cut the little foams to adjust your gun size.
- 3.Put the cut foams just into the slots to hold your gun firmly.



### FCC Regulatory Compliance

This device complies with part 15 of the FCC Rules. Operation is subject to the following two conditions

- (1) This device may not cause harmful interference, and (2) this device must accept any interference received, including interference that may cause undesired operation.

**Warning:** Changes or modifications not expressly approved by the party responsible for compliance could void the user's authority to operate the equipment.

**Note:** This equipment has been tested and found to comply with the limits for a Class B digital device pursuant to Part 15 of the FCC Rules. These limits are designed to provide reasonable protection against harmful interference in a residential installation. This equipment generates, uses and can radiate radio frequency energy and, if not installed and used in accordance with the instructions, may cause harmful interference to radio communications. However, there is no guarantee that interference will not occur in a particular installation. If this equipment does cause harmful interference to radio or television reception, which can be determined by turning the equipment off and on, the user is encouraged to try to correct the interference by one or more of the following measures

- Reorient or relocate the receiving antenna
- Increase the separation between the equipment and receiver
- Connect the equipment into an outlet on a circuit different from that to which the receiver is connected
- Consult the dealer or an experienced radio/TV technician for help.

### RF Exposure Statement

The device has been evaluated to meet general RF exposure requirement. The distance between user and device should be no less than 20cm.

7