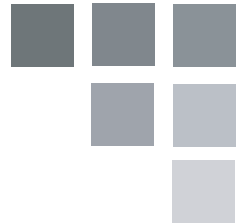




OWNER'S USE AND CARE GUIDE
GUIDE D'UTILISATION ET D'ENTRETIEN

PORTABLE AIR CONDITIONER
CLIMATISEUR PORTATIF

MODEL • MODÈLE
DPA060BACBDB / DPA080BACBDB





TO OBTAIN WARRANTY SERVICE YOU MUST PROVIDE A VALID PROOF OF PURCHASE. PLEASE STAPLE YOUR RECEIPT TO THIS PAGE FOR FUTURE REFERENCE.

POUR OBTENIR LE SERVICE SUR GARANTIE, VOUS DEVEZ FOURNIR UNE PREUVE D'ACHAT VALIDE. VEUILLEZ AGRAFER VOTRE REÇU À CETTE PAGE POUR RÉFÉRENCE FUTURE.

 IMPORTANT - GROUNDING METHOD

This product is factory equipped with a power supply cord that has a three-pronged grounded plug. It must be plugged into a mating grounding type receptacle in accordance with the National Electrical Code and applicable local codes and ordinances. If the circuit does not have a grounding type receptacle, it is the responsibility and obligation of the customer to exchange the existing receptacle in accordance with the National Electrical Code and applicable local codes and ordinances. The third ground prong should not, under any circumstances, be cut or removed. Never use the cord, the plug or the appliance when they show any sign of damage. Do not use your appliance with an extension cord unless it has been checked and tested by a qualified electrician or electrical supplier. Improper connection of the grounding plug can result in risk of fire, electric shock and/or injury to persons associated with the appliance. Check with a qualified service representative if in doubt that the appliance is properly grounded.

 IMPORTANT - MÉTHODE POUR LA MISE À LA TERRE

Ce produit arrive d'origine avec un cordon d'alimentation équipé d'une prise à trois fiches. Il doit être branché dans une prise avec une fiche de mise à la terre en conformité avec le Code national de l'électricité et les codes et règles locaux applicables. Si la prise murale n'a pas de mise à la terre, il est de la responsabilité et l'obligation du client de changer la prise existante pour la rendre conforme au Code national de l'électricité et aux codes et règles locaux applicables. La fiche de mise à la terre ne doit pas, en aucune circonstance, être coupée ou retirée. Si vous apercevez des signes de dommage, n'utilisez jamais le cordon d'alimentation, la prise ou l'appareil. N'utilisez jamais l'appareil avec une rallonge sauf si elle a été vérifiée et testée par un électricien qualifié ou un fournisseur de matériel électrique. Une fiche de mise à la terre mal branchée peut entraîner un risque d'incendie, de choc électrique ou de blessures aux personnes qui utilisent l'appareil. Si vous n'êtes pas certain que l'appareil est correctement mis à la terre, consultez un préposé du service qualifié.

CONTENTS / TABLE DES MATIÈRES

PORTABLE AIR CONDITIONER

Owner's Use and Care Guide1-15

- Welcome
- Important Safety Information
- Features
- Installation Instructions
- Operation Instructions
- Care and Maintenance
- Troubleshooting
- Warranty

CLIMATISEUR PORTATIF

Guide d'utilisation et d'entretien.....16-30

- Bienvenue
- Consignes de sécurité importantes
- Caractéristiques
- Consignes d'installation
- Consignes d'utilisation
- Soins et entretien
- Dépannage
- Garantie

Read and follow all safety rules and operating instructions before first use of this product.

Veillez lire attentivement les consignes de sécurité et les instructions d'utilisation avant l'utilisation initiale de ce produit.

Model • Modèle
DPA060BACBDB / DPA080BACBDB

Welcome

Welcome to the Danby family. We are proud of our quality products, and we believe in dependable service, like you will find in this Owner's Use and Care Guide, and like you will receive from our friendly customer service department. Best of all, you will experience these values each and every time you use your Danby appliance. That is important, because your new appliance will be a part of your family for a long time.

Note the information below; you will need this information to obtain service under warranty. To receive service, you must provide the original receipt.

Model Number:	_____
Serial Number:	_____
Date of Purchase:	_____

NEED HELP?

Before you call for service, here are a few things you can do to help us serve you better:

Read this Owner's Use and Care Guide:

It contains instructions to help you use and maintain your appliance properly.

If you received a damaged appliance:

Immediately contact the retailer (or builder) that sold you the appliance.

Save time and money:

Check the Troubleshooting section at the end of the guide before calling. This section helps you solve common problems that may occur.

If you do need service, you can relax, knowing help is only a phone call away.





Important Safety Information

READ AND FOLLOW ALL SAFETY INSTRUCTIONS

To prevent injury to the user or other people and property damage, the following instructions must be followed. Incorrect operation resulting from ignoring these instructions may cause harm or damage.

SAFETY PRECAUTIONS

ALWAYS DO THIS

- ✔ Your air conditioner should be used in such a way that it is protected from moisture, e.g. condensation, splashed water, etc. Do not place or store your air conditioner where it can fall or be pulled into water or any other liquid. Unplug unit immediately if this occurs.
- ✔ Always transport your air conditioner in a vertical position and place on a stable, level surface during use. If the unit is transported laying on its side it should be stood up and left unplugged for 6 hours.
- ✔ Turn off the unit when not in use.
- ✔ Always contact a qualified person to perform repairs. If the power cord is damaged it must be repaired by a qualified technician.
- ✔ Keep the unit away from walls, furniture and curtains with a clearance of at least 30 cm all around.
- ✔ If the air conditioner is knocked over during use, turn off the unit and unplug it immediately.
- ✔ Always use the switch on the control panel to turn the unit on or off.

NEVER DO THIS

- ✘ Do not operate your air conditioner in a wet room such as a bathroom or laundry room.
- ✘ Do not touch the unit with wet or damp hands.
- ✘ Do not press the buttons on the control panel with anything other than your fingers.
- ✘ Do not remove any fixed components. Never use this appliance if it is not working properly, or if it has been dropped or damaged.
- ✘ Never use the plug to start and stop the unit.
- ✘ Do not cover or obstruct the inlet or outlet grilles.
- ✘ Do not use hazardous chemicals to clean or come into contact with the unit.
- ✘ Do not use the unit in the presence of inflammable substances or vapour such as alcohol, insecticides, gasoline, etc.
- ✘ Do not allow children to operate the unit unsupervised.
- ✘ Do not use this product for functions other than those described in this instruction manual.



Important Safety Information

READ AND FOLLOW ALL SAFETY INSTRUCTIONS

To prevent injury to the user or other people and property damage, the following instructions must be followed. Incorrect operation resulting from ignoring these instructions may cause harm or damage.

ENERGY SAVING TIPS

- Use the unit in the recommended room size.
- Locate the unit where furniture cannot obstruct the air flow.
- Keep blinds/curtains closed during the sunniest part of the day.
- Keep the filters clean.
- Keep doors and windows closed to keep cool air in and warm air out (cooling mode)

OPERATING CONDITIONS

The air conditioner must be operated within the temperature range indicated below:

MODE	ROOM TEMPERATURE
Cool	17°C (62°F) ~ 35°C (95°F)
Dry	13°C (55°F) ~ 35°C (95°F)

Note: Performance may be reduced outside of these operating temperatures.

POWER OUTAGE

In the case of a power outage, the unit will automatically re-start with the last setting after the power is restored.

Wait 3 minutes before resuming operation

After the unit has stopped, it cannot operate for the first 3 minutes. This is to protect the unit. Operation of the compressor will automatically start after 3 minutes.

TOOLS FOR WINDOW KIT INSTALLATION

1. Screwdriver (medium size, Phillips)
2. Tape measure or ruler
3. Knife or scissors
4. Saw (In the event that the window kit needs to be cut down in size because the window is too narrow for direct installation).
See www.danby.com for general instruction guide



Identifying Parts

ELECTRICAL INFORMATION

WARNING

- Do not store or use gasoline or other flammable vapours and liquids in the vicinity of this or any other appliance.
- Avoid fire hazard or electric shock. Do not use an extension cord or an adaptor plug. Do not remove any prong from the power cord.

WARNING

- Be sure the electrical supply is adequate for the model you have chosen. This information can be found on the serial plate, which is located on the side of the cabinet and behind the grille.
- Be sure the air conditioner is properly grounded. To minimize shock and fire hazards, proper grounding is important. The power cord is equipped with a three-prong grounding plug for protection against shock hazards.
- Your air conditioner must be used in a properly grounded wall receptacle. If the wall receptacle you intend to use is not adequately grounded or protected by a time delay fuse or circuit breaker, have a qualified electrician install the proper receptacle.
- Ensure the receptacle remains accessible after the unit is installed.





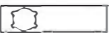

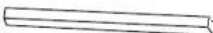







Identifying Parts

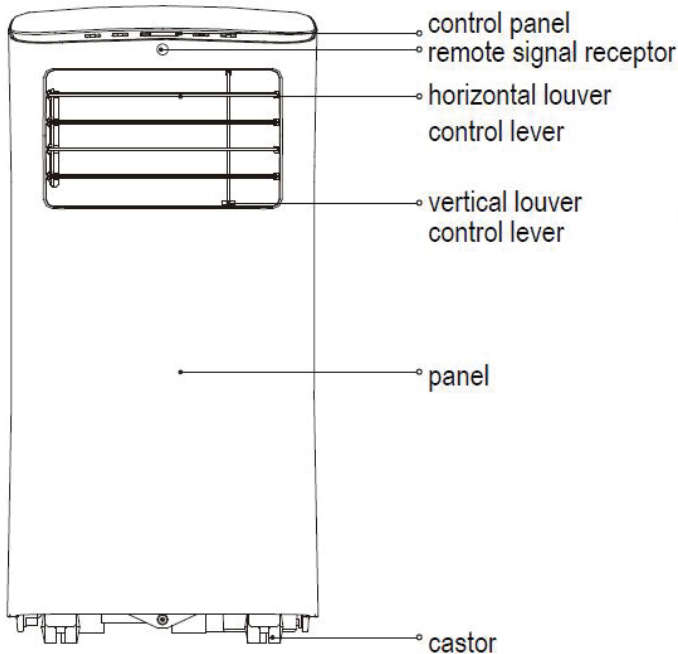
ACCESSORIES

Ensure that all the accessories are included in the package and refer to the installation instructions for their usage.

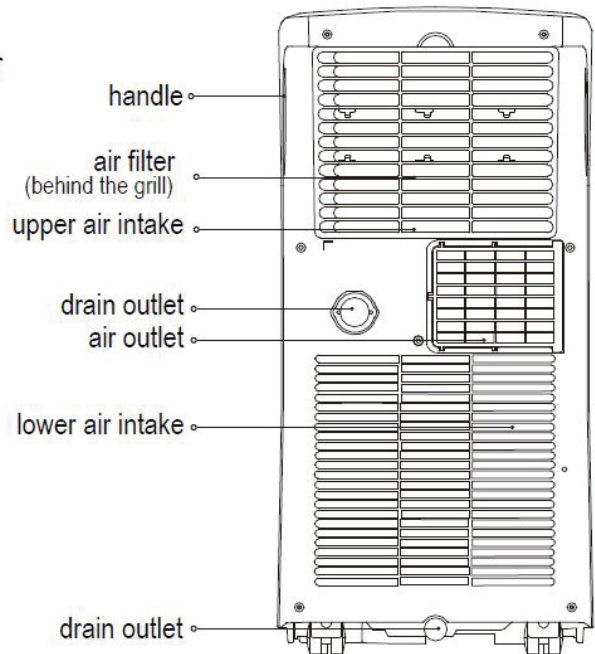
Note: All the illustrations in this manual are for explanatory purposes only. Your air conditioner may be slightly different.

Part	Description	Quantity
	Unit Adaptor	1 pc
	Exhaust Hose	1 pc
	Window Slider Adaptor	1 pc
	Bolt	2 pc
	Window Slider A	1 pc
	Window Slider B and C	1 pc
	Foam Seal A (Adhesive)	4 pc
	Foam Seal B (Adhesive)	2 pc
	Foam Seal C (Non-adhesive)	2 pc
	Security Bracket and 2 Screws	1 set
	Drain Hose	1 pc
	Remote Controller and Battery	1 set

UNIT STRUCTURE



front



rear

Features

ELECTRONIC CONTROL INSTRUCTIONS AND OPERATING MODES



Mode Button: Press to select the desired mode. Modes will cycle in sequence with each press of the button; COOL, DRY, FAN. Light will indicate current mode. Fan speed can be chosen on COOL and FAN modes using the remote control.



COOL mode

Note: The hose should be exhausted during COOL mode

- Press the mode button until the COOL icon illuminates
- Press the UP or DOWN arrow buttons to select the desired room temperature
- The temperature can be set within a range of 17-30°C / 62-86°F



FAN mode

- Press the mode button until the FAN icon illuminates
- Fan speed can be adjusted using the remote control



DRY mode

- Press the mode button until the DRY icon illuminates
- The display will show the current room temperature
- Fan speed and temperature cannot be adjusted in this mode

Up and Down Buttons: Used to adjust temperature settings in COOL mode. Press and hold both Up and Down buttons for 3 seconds to change the temperature display from °C to °F.



Power Button: Press to turn the unit on or off.

LED Display:

- While on COOL mode shows the set temperature in °C or °F
- When on FAN and DRY mode shows the room temperature
- Displays error codes



Power
indicator light

Timer mode
indicator light

AUTO mode

- Can only be activated by remote control
- There is no AUTO mode display on the control panel
- Display will show COOL or FAN based on ambient room temperature

SLEEP mode

- Can only be activated from the remote control
- Conserves energy during sleeping hours
- Once activated, SLEEP mode will increase the set temperature by 1 degree for 30 minutes. The set temperature will increase another degree in the next 30 minutes and then will maintain temperature for 7 hours before returning to the original setting.
- The SLEEP function is only available in COOL mode



Operating Instructions

OPERATING MODES

Timer Operation

Note: Timer function can only be activated by the remote control.

This unit has two timer related functions:

- **Timer on:** sets the amount of time after which the unit will turn on
- **Timer off:** sets the amount of time after which the unit will turn off

Timer On Function:

- Press the Timer On button on the remote control
- The last time period that was set will show on the display
- Press the Timer On button repeatedly to set the amount of hours that should pass before the unit turns on
- Wait two seconds for the programming to be accepted by the unit

Timer Off Function:

- Press the Timer Off button on the remote control
- The last time period that was set will show on the display
- Press the Timer Off button repeatedly to set the amount of hours that should pass before the unit turns off
- Wait two seconds for the programming to be accepted by the unit

Notes:

- Pressing the Timer On or Timer Off buttons will increase the set time in 0.5 hour increments up to 10 hours and then in 1 hour increments up to 24 hours
- The display will revert back to showing the previous temperature setting if the unit does not receive a signal within a 5 second period during programming
- Adjusting the timer setting to 0.0 hours will cancel the Auto-timer settings

Using the Auto-on and Auto-off feature at the same time

You can set the air conditioner to run the Auto-on and Auto-off features at the same time. Keep in mind that the hours displayed on the unit refer to the number of hours that will pass from the current time before the action is taken.

For example:

- First, set the Timer On or Timer Off function as per above
- Wait three seconds for programming to be accepted by the unit
- Set the Timer Off or Timer On function
- Wait three seconds for programming to be accepted by the unit

Auto-Restart: If the unit loses power unexpectedly, it will restart with the previous function settings when power is restored.

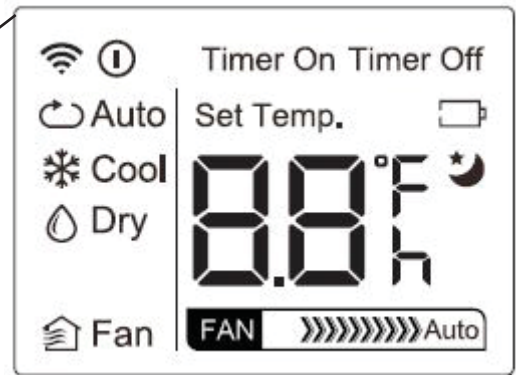
Note: Once the unit has stopped, it cannot be restarted for 3 minutes. Operation will resume after 3 minutes.



Operating Instructions

REMOTE CONTROL INSTRUCTIONS

• Use the remote control within a distance of 8 m (26 ft.) from the appliance, pointing it towards the receiver. Reception is confirmed by a beep.



ON/OFF: Turns the unit on or off

MODE: Selects mode operation in the following order:
Auto --> Cool --> Dry --> Fan

FAN SPEED: Selects fan speed in the following order:
Auto --> Low --> High

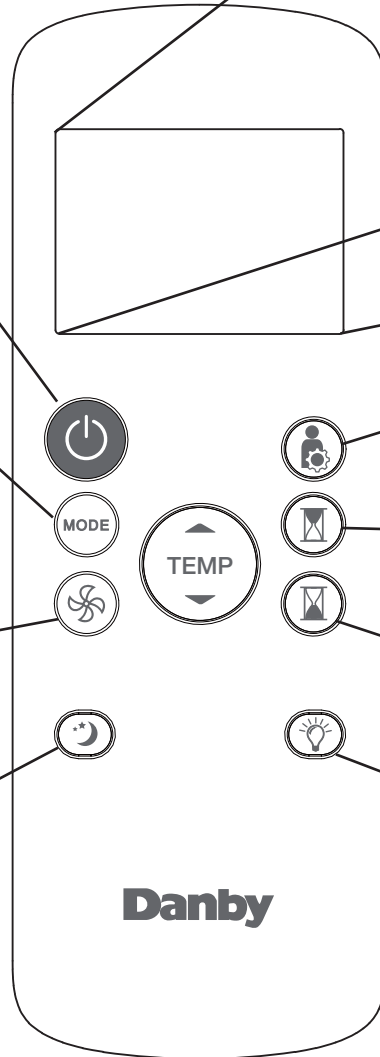
SLEEP: Conserves energy during sleeping hours

SHORTCUT: Sets and activates favourite setting

TIMER ON: Used to set Auto-on function

TIMER OFF: Used to set Auto-off function

LED: Turns the LED display on or off



SHORTCUT function (only available on remote):

- Used to save a favourite setting
- Set the unit to the temperature and fan speed that you would like to set as a favourite
- Press and hold the SHORTCUT button for 2 seconds
- Press the SHORTCUT button at any point in future to return to the favourite setting
- If no favourite is set, pressing the SHORTCUT button will cause the unit to run in AUTO mode at 26°C (79°F), with fan speed set to AUTO

Model	RG57H1(B)/BGCE-M
Rated Voltage	3.0V (dry batteries R03/LR03x2)
Signal Receiving Range	8m (26 feet)
Environment	-5°C to 60°C (23°F to 140°F)





Operating Instructions

REPLACING THE REMOTE BATTERIES

Your air conditioning unit comes with two AAA batteries. Place the batteries in the remote control before use.

1. Slide the back cover from the remote downward to expose the battery compartment.
2. Insert the batteries, ensure to match the (+) and (-) symbols on the ends of the batteries with the symbols inside the battery compartment.
3. Slide the battery cover back into place.

- The air conditioner will not respond if curtains, doors or other materials block the signal from the remote control to the unit.
- Prevent any liquid from contact with the remote control. Do not expose the remote control to direct sunlight or heat.
- If the infrared signal receiver on the indoor unit is exposed to direct sunlight, the air conditioner may not function properly. Use curtains to prevent the sunlight from falling on the receiver.
- Do not mix old and new batteries or batteries of different types.
- Do not leave the batteries in the remote control if it is not going to be used for more than 2 months.

IMPORTANT

Do not dispose of batteries as unsorted municipal waste. Refer to local laws for proper disposal of batteries.

NOTE: This equipment has been tested and found to comply with the limits for a Class B digital device, pursuant to Part 15 of the FCC Rules. These limits are designed to provide reasonable protection against harmful interference in a residential installation. This equipment generates, uses and can radiate radio frequency energy and, if not installed and used in accordance with the instructions, may cause harmful interference to radio communications. However, there is no guarantee that interference will not occur in a particular installation. If this equipment does cause harmful interference to radio or television reception, which can be determined by turning the equipment off and on, the user is encouraged to try to correct the interference by one or more of the following measures:

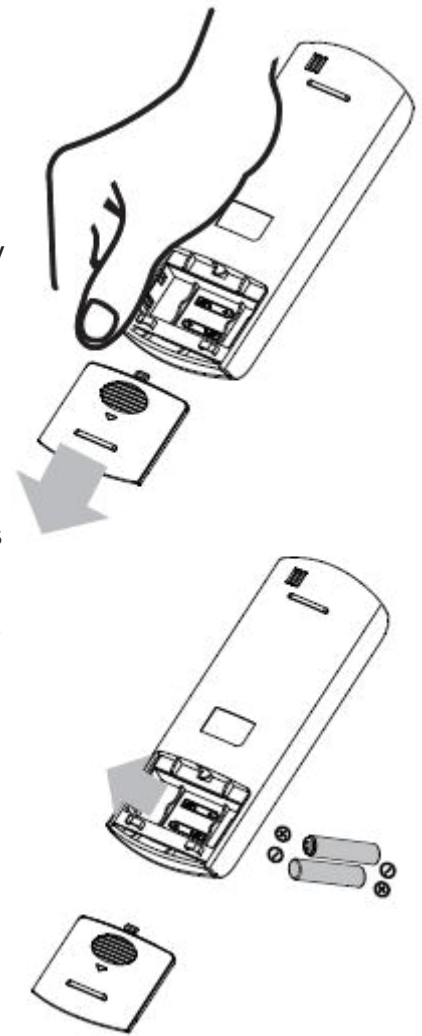
1. Reorient or relocate the receiving antenna
2. Increase the separation between the equipment and receiver
3. Connect the equipment into an outlet on a circuit different from that to which the receiver is connected
4. Consult the dealer or an experienced radio/TV technician for help

Changes or modifications not approved by the party responsible for FCC compliance could void the user's authority to operate the equipment. This appliance complies with Part 15 of the FCC Rules.

Operation is subject to the following conditions:

1. This device may not cause harmful interference.
2. This device must accept any interference received, including interference that may cause undesired operation.

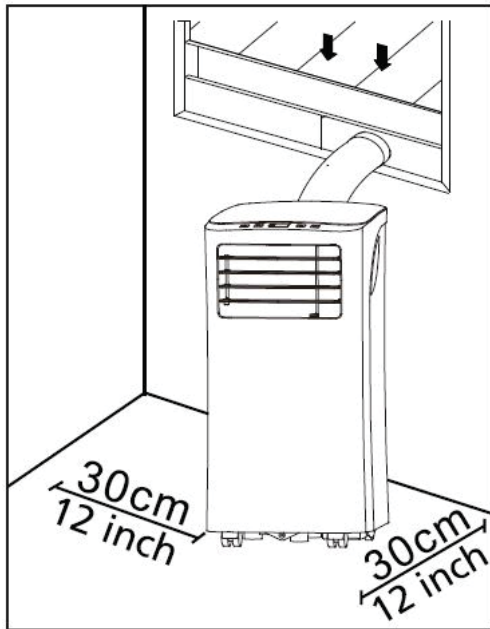
This device complies with Canadian CAN ICES-3 (B) / NMB-3 (B)





Installation Instructions

LOCATION



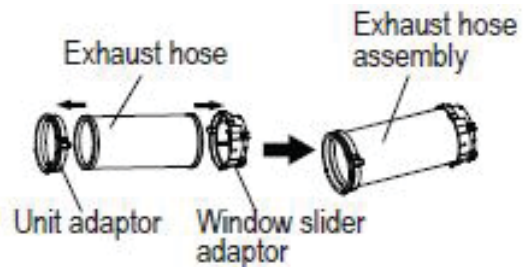
- The air conditioner should be placed on a firm foundation to minimize noise and vibration. For safe and secure positioning, place the unit on a smooth, level floor strong enough to support the unit.
- The unit has casters to aid placement, but it should only be rolled on smooth, flat surfaces. Use caution when rolling on carpeted surfaces. Use caution and protect floors when rolling over wood floors. Do not attempt to roll the unit over objects.
- The unit must be placed within reach of a properly rated grounded socket.
- Never place any obstacles around the air inlet or outlet of the unit.
- Allow at least 30 cm of space away from the wall for efficient air conditioning.

WINDOW SLIDER KIT INSTALLATION

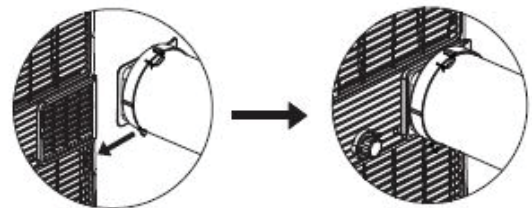
Your window slider kit has been designed to fit most standard vertical and horizontal window applications, however, it may be necessary for you to modify some aspects of the installation procedures for certain types of windows.

Visit www.danby.com for general instruction videos.

Press the exhaust hose into the window slider adapter and unit adapter. The adapters will automatically clamp to the exhaust hose using internal elastic buckles.

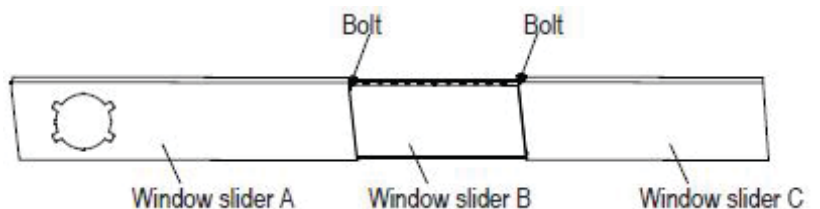


Slide the exhaust hose unit adapter into the air outlet opening in the direction of the arrow.



Measure the window opening where the window kit will be installed and extend the sliders to match the measurement. If the length of the window opening requires three window sliders, use the bolt to fasten the sliders at the proper length.

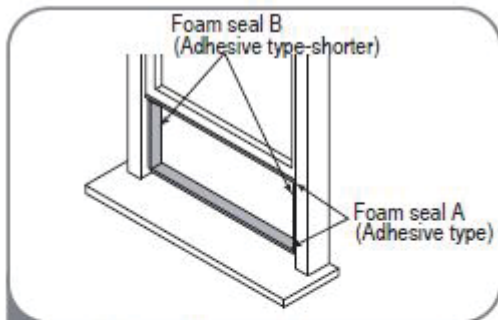
If the window opening is less than the minimum length of the window slider kit, use the single slider that has the hole in it and cut it to the correct size. Ensure that you do not cut the end of the slider that has the hole in it, this will be necessary to attach the exhaust hose assembly.



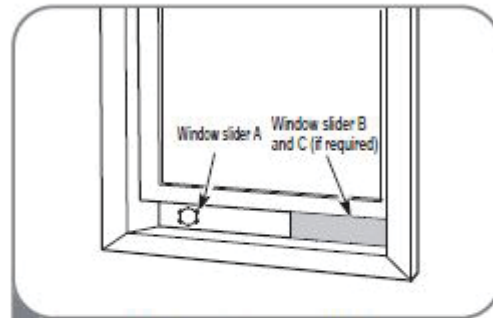


Installation Instructions

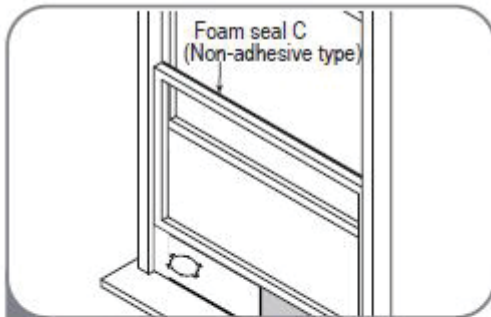
INSTALLATION IN A DOUBLE-HUNG SASH WINDOW



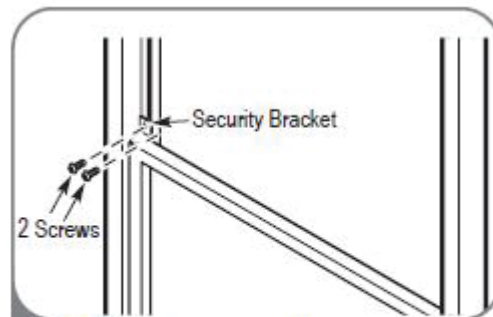
1 Cut the adhesive foam seal A and B strips to the proper lengths, and attach them to the window sash and frame as shown.



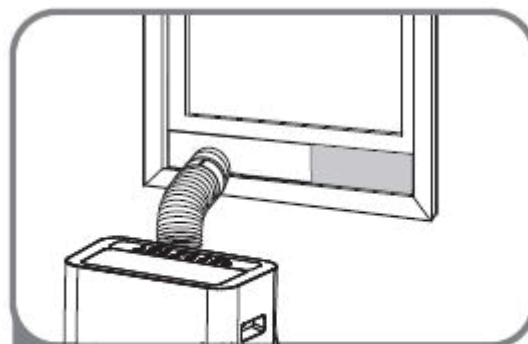
2 Insert the window slider assembly into the window opening.



3 Cut the non-adhesive foam seal C strip to match the width of the window. Insert the seal between the glass and the window frame to prevent air and insects from getting into the room.



4 If desired, install the security bracket with 2 screws as shown.

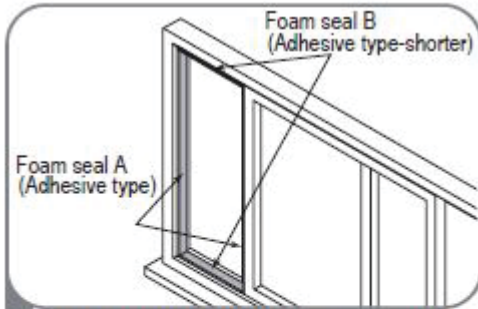


5 Insert the window slider adaptor into the hole of the window slider.

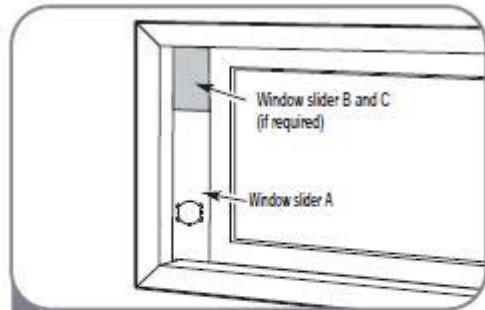


Installation Instructions

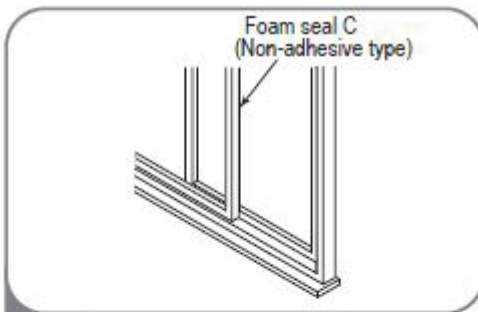
INSTALLATION IN A SLIDING SASH WINDOW



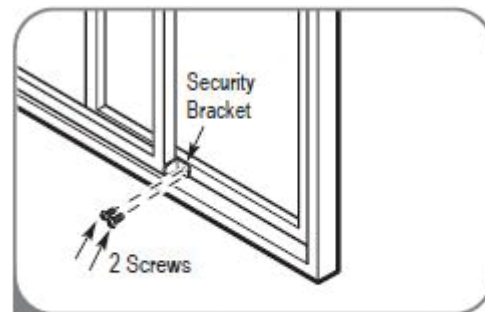
1 Cut the adhesive foam seal A and B strips to the proper lengths, and attach them to the window sash and frame as shown.



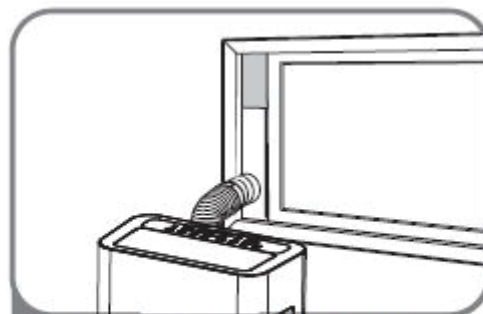
2 Insert the window slider assembly into the window opening.



3 Cut the non-adhesive foam seal C strip to match the window height. Insert the foam seal between the glass and the window frame to prevent air and insects from getting into the room.



4 If desired, install the security bracket with 2 screws as shown.



5 Insert the window slider adaptor into the hole of the window slider.



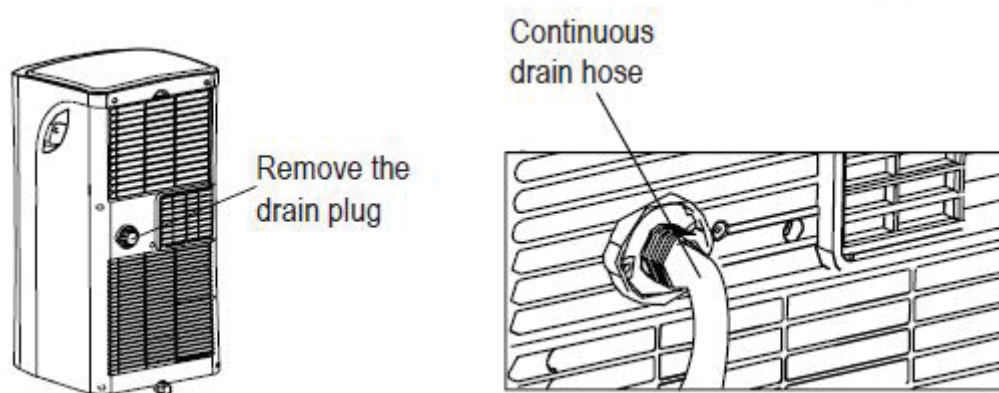
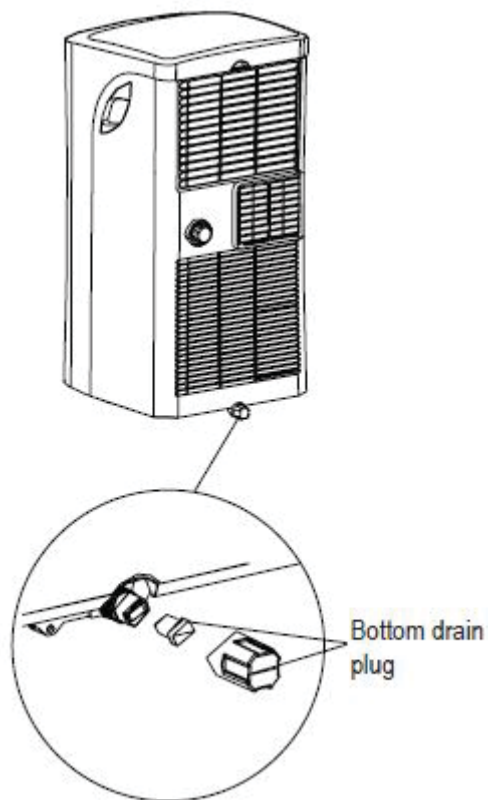
Installation Instructions

WATER DRAINAGE

When the internal drain pan becomes full the unit will beep 8 times and the digital display will show error code P1. The air conditioning or dehumidifying action will stop but the fan may continue to operate.

Turn the unit off and unplug it from the power source. Carefully move the unit to a location where the water can be drained. Remove the bottom drain plug and allow the water to completely drain. Replace the bottom drain plug, pressing firmly to ensure a tight fit and no leaks. The P1 error symbol will disappear and the unit will resume regular function once power is restored.

If the P1 error persists when the unit has been drained of water, turn the unit off and unplug it from the power source for at least 5 minutes. If the P1 error persists after plugging the unit back in, please call Danby consumer care for further troubleshooting options.



During the DRY mode, you may wish to set up the continuous drain option so that the unit will automatically drain collected water.

Remove the exhaust hose during DRY mode, it is not necessary. Ensure that the unit is turned off and unplugged from the power source before setting up the drain hose.

Remove the upper drain plug and attach a 3/4" drain hose. Ensure that there are no kinks or bends in the drain hose as this can stop water from draining.

Place the open end of the drain hose over the receptacle that the unit will drain into; this could be a basement floor drain, a sink or similar.

Remember that there is no drain pump in this unit, the continuous drain is activated by gravity only. Ensure that the drain hose goes straight down toward the floor from the drain connection. If the hose is not positioned directly downwards, water will not drain correctly.



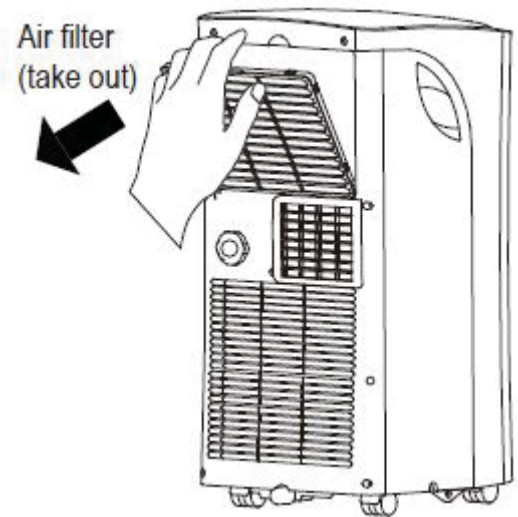
Care and Maintenance

IMPORTANT

1. Be sure to unplug the unit before cleaning or servicing.
2. Do not use gasoline, paint thinner or other chemicals to clean the unit.
3. Do not wash the unit directly under a tap or using a hose. It may cause electrical damage.
4. If the power cord is damaged, contact the service depot immediately.

AIR FILTER

- clean the air filter every two weeks to ensure optimal performance
- in households with animals, you will need to periodically wipe down the grill to prevent blocked air flow due to animal hair



UNIT ENCLOSURE

Use a lint-free cloth soaked with neutral detergent to clean the unit enclosure, be sure to wring the cloth of excess water. Finish by wiping with a clean dry cloth.

LONG-TERM STORAGE

- Remove the rubber plug at the back of the unit and attach a hose to the drain outlet. Place the open end of the hose directly over the drain area in your basement floor.
- Remove the plug from the bottom drain outlet, this means that all the water in the bottom drain tray will drain out.
- Keep the appliance running on FAN mode for half a day in a warm room to dry the appliance inside and prevent mold formation.
- Turn off the appliance and unplug it, wrap the cord and bundle it with tape.
- Remove the batteries from the remote control.
- Clean the air filter and reinstall it.

Troubleshooting

Occasionally, a minor problem may arise, and a service call may not be necessary- use this troubleshooting guide for a possible solution. If the unit continues to operate improperly, call an authorized service depot or **Danby's Toll Free Number** for assistance.

Tel: 1-800-26-**Danby**® (1-800-263-2629)

PROBLEM	POSSIBLE CAUSE	SOLUTION
Unit does not start when pressing on/off button	<ul style="list-style-type: none"> Ft appears in the display window Room temperature is lower than the set temperature. (Cooling mode) Room temperature is higher than the set temperature (Heat mode) 	<ul style="list-style-type: none"> Drain the water in the bottom tray Reset the temperature
Not cool enough	<ul style="list-style-type: none"> The windows or doors in the room are not closed There are heat sources inside the room Exhaust air hose is not connected or blocked Temperature setting is too high Air filter is blocked by dust 	<ul style="list-style-type: none"> Make sure all the windows and doors are closed Remove the heat sources if possible Connect the hose and make sure it can function properly Decrease the set temperature Clean the air filter
Noisy or vibration	<ul style="list-style-type: none"> The ground is not level or not flat enough 	<ul style="list-style-type: none"> Place the unit on a flat, level ground if possible
Gurgling sound	<ul style="list-style-type: none"> The sound comes from the flowing of the refrigerant inside the air conditioner 	<ul style="list-style-type: none"> It is normal

DISPOSAL

Check for local regulatory compliance regarding the approved and safe disposal of this appliance.

ERROR CODES

- E1 - room temperature sensor error
- E2 - evaporator temperature sensor error
- E4 - display panel communication error
- P1 - water tray is full - attach drain hose and drain excess water

LIMITED CARRY-IN APPLIANCE WARRANTY

This quality product is warranted to be free from manufacturer's defects in material and workmanship, provided that the unit is used under the normal operating conditions intended by the manufacturer.

This warranty is available only to the person to whom the unit was originally sold by Danby Products Limited (Canada) or Danby Products Inc. (U.S.A.) (hereafter "Danby") or by an authorized distributor of Danby, and is non-transferable.

TERMS OF WARRANTY

Plastic parts, are warranted for thirty (30) days only from purchase date, with no extensions provided.

First 12 months During the first twelve (12) months, any functional parts of this product found to be defective, will be repaired or replaced, at warrantor's option, at no charge to the ORIGINAL purchaser.

To obtain service Danby reserves the right to limit the boundaries of "In Home Service" to the proximity of an Authorized Service Depot. Any appliance requiring service outside the limited boundaries of "In Home Service", it will be the consumer's responsibility to transport the appliance (at their own expense) to the original retailer (point of purchase) or a service depot for repair. See "Boundaries of In Home Service" below. Contact your dealer from whom your unit was purchased, or contact your nearest authorized Danby service depot, where service must be performed by a qualified service technician. If service is performed on the units by anyone other than an authorized service depot, or the unit is used for commercial application, all obligations of Danby under this warranty shall be void.

Boundaries of in-home service If the appliance is installed in a location that is 100 kilometers (62 miles) or more from the nearest service center your unit must be delivered to the nearest authorized Danby Service Depot, as service must only be performed by a technician qualified and certified for warranty service by Danby. Transportation charges to and from the service location are not protected by this warranty and are the responsibility of the purchaser.

Nothing within this warranty shall imply that Danby will be responsible or liable for any spoilage or damage to food or other contents of this appliance, whether due to any defect of the appliance, or its use, whether proper or improper.

EXCLUSIONS

Save as herein provided, by Danby, there are no other warranties, conditions, representations or guarantees, express or implied, made or intended by Danby or its authorized distributors and all other warranties, conditions, representations or guarantees, including any warranties, conditions, representations or guarantees under any Sale of Goods Act or like legislation or statute is hereby expressly excluded. Save as herein provided, Danby shall not be responsible for any damages to persons or property, including the unit itself, howsoever caused or any consequential damages arising from the malfunction of the unit and by the purchase of the unit, the purchaser does hereby agree to indemnify and hold harmless Danby from any claim for damages to persons or property caused by the unit.

GENERAL PROVISIONS

No warranty or insurance herein contained or set out shall apply when damage or repair is caused by any of the following:

- 1) Power failure.
- 2) Damage in transit or when moving the appliance.
- 3) Improper power supply such as low voltage, defective house wiring or inadequate fuses.
- 4) Accident, alteration, abuse or misuse of the appliance such as inadequate air circulation in the room or abnormal operating conditions (extremely high or low room temperature).
- 5) Use for commercial or industrial purposes (ie. If the appliance is not installed in a domestic residence).
- 6) Fire, water damage, theft, war, riot, hostility, acts of God such as hurricanes, floods etc.
- 7) Service calls resulting in customer education.
- 8) Improper Installation (ie. Building-in of a free standing appliance or using an appliance outdoors that is not approved for outdoor application). Proof of purchase date will be required for warranty claims; so, please retain bills of sale. In the event warranty service is required, present this document to our AUTHORIZED SERVICE DEPOT.

Warranty Service Carry-In

Danby Products Limited
PO Box 1778, Guelph, Ontario, Canada N1H 6Z9
Telephone: (519) 837-0920 FAX: (519) 837-0449

1-800-263-2629
07/14

Danby Products Inc.
PO Box 669, Findlay, Ohio, U.S.A. 45840
Telephone: (419) 425-8627 FAX: (419) 425-8629

Bienvenue

Bienvenue dans la famille Danby. Nous sommes fiers de la qualité de nos produits et nous croyons fermement au service par une assistance fiable. Vous le découvrirez à la lecture de ce guide facile d'utilisation et vous en aurez la confirmation par notre service d'assistance à la clientèle. Mais ce qui est encore mieux, vous pourrez bénéficier de ces avantages à chaque utilisation de votre appareil. Ceci est important parce que votre nouvel appareil fera partie de votre famille pour longtemps.

Veillez noter les informations ci-dessous; ces renseignements seront nécessaires si votre appareil a besoin d'entretien ou pour les demandes de renseignements généraux. Pour bénéficier d'une opération de maintenance ou de dépannage, le reçu original sera exigé.

Numéro de modèle : _____

Numéro de serie : _____

Date d'achat : _____

BESOIN D'ASSISTANCE ?

Veillez trouver quelques conseils avant de faire appel à nos services, cela nous aidera à mieux vous servir :

Lisez ce guide :

Il comprend des instructions pour l'utilisation et l'entretien adapté de votre appareil.

Si votre nouvel appareil est endommagé :

Contactez immédiatement le revendeur (ou le fabricant).

Gagnez du temps et de l'argent :

Avant de faire appel à nos services, consultez à nouveau la section « Dépannage ». Cette section vous aidera à résoudre des problèmes courants.

Si une réparation est nécessaire, ne vous inquiétez pas, la solution est au bout du fil.



1-800-26- **Danby**
(1-800-263-2629)



Consignes de sécurité importantes

LISEZ TOUTE L'INFORMATION DE SÉCURITÉ AVANT UTILISATION

Pour votre sécurité : Lisez ces instructions attentivement avant d'utiliser l'appareil et conservez-les afin de pouvoir vous y référer ultérieurement.

PRÉCAUTIONS DE SÉCURITÉ

SUIVEZ TOUJOURS CES CONSIGNES

- ⊙ L'appareil doit être utilisé dans un endroit à l'abri de l'humidité, comme la condensation, les éclaboussures d'eau, etc. Ne le placez pas dans un endroit où il pourrait tomber dans l'eau ou d'autres liquides.
- ⊙ Transportez toujours l'appareil en position verticale. Utilisez-le sur une surface stable et de niveau. Si l'appareil est transporté, couché, il faudra le remettre en position verticale et le garder débranché pendant 6 heures.
- ⊙ Éteignez le produit s'il n'est pas utilisé.
- ⊙ Faites faire toute réparation par un technicien qualifié. Si le cordon d'alimentation est endommagé, il doit être réparé par un technicien qualifié.
- ⊙ Laissez un espace libre d'au moins 30 cm (1 pied) autour de l'appareil (p.ex., des murs, des meubles et des rideaux) pour permettre une bonne circulation de l'air.
- ⊙ Si le climatiseur tombe alors qu'il est en marche, éteindre l'appareil et le débrancher immédiatement.
- ⊙ Utilisez toujours l'interrupteur du panneau de commande pour éteindre l'appareil ou le mettre en marche.

MISES EN GARDE

- ⊗ Ne faites pas fonctionner le climatiseur dans une pièce humide, comme une salle de bain ou de lavage
- ⊗ Ne touchez pas à l'appareil les mains mouillées ou humides
- ⊗ N'appuyez sur les boutons du panneau de commande qu'avec les doigts
- ⊗ Ne retirez pas les couvercles fixes. N'utilisez jamais cet appareil s'il fonctionne mal ou s'il a été échappé ou endommagé
- ⊗ Ne couvrez pas les grilles d'entrée ou de sortie, et ne les obstruez pas
- ⊗ Ne nettoyez pas cet appareil à l'aide de produits, chimiques dangereux. Ne les mettez pas en contact avec l'appareil
- ⊗ N'utilisez pas cet appareil en présence de substances inflammables comme l'alcool, les insecticides, le gaz, l'essence, etc.
- ⊗ Ne laissez pas les enfants utiliser cet appareil sans surveillance
- ⊗ N'utilisez pas ce produit pour des fonctions autres que celles décrites dans ce guide



Consignes de sécurité importantes

LISEZ TOUTE L'INFORMATION DE SÉCURITÉ AVANT UTILISATION

Pour votre sécurité: Lisez ces instructions attentivement avant d'utiliser l'appareil et conservez-les afin de pouvoir vous y référer ultérieurement.

ÉCONOMISEZ L'ÉNERGIE

- Utilisez l'appareil dans des pièces des dimensions recommandées.
- Placez l'appareil dans un endroit où les meubles n'obstruent pas la circulation d'air.
- Fermez les stores et rideaux pendant les moments les plus ensoleillés de la journée.
- Gardez le filtre de l'appareil propre.
- Fermez les portes et les fenêtres pour garder l'air froid à l'intérieur et l'air chaud à l'extérieur.

CONDITIONS DE FONCTIONNEMENT

Le climatiseur doit être utilisé à l'intérieur de la plage de température qui figure ci-dessous :

MODE	TEMPÉRATURE DE LA PIÈCE
REFROIDISSEMENT	18°C (62° F) ~ 35°C (95°F)
DÉSHUMIDIFICATION	18°C (62°F) ~ 35°C (95°F)
CHAUFFAGE	13°C (55°F) ~ 27°C (81°F)

Remarque : Une température hors de ces plages peut réduire le rendement.

PANNE DE COURANT

En cas de panne ou d'interruption du courant, l'appareil se remet automatiquement en marche, selon les derniers réglages utilisés, après le rétablissement du courant.

Attendez 3 minutes avant de reprendre le fonctionnement.

Après l'arrêt de l'appareil, il ne peut pas être remis en marche dans les 3 minutes qui suivent le rétablissement du courant. Cette caractéristique sert à protéger l'appareil. Le fonctionnement du compresseur reprendra automatiquement au bout de 3 minutes.

OUTILS POUR L'INSTALLATION DE LA TROUSSE POUR FENÊTRE

1. Tournevis (moyen, à lame plate)
2. Ruban à mesure ou règle
3. Couteau ou ciseaux
4. Scie (si la trousse pour fenêtre doit être coupée parce que la fenêtre est trop étroite pour une installation directe.)

Voir www.danby.com pour obtenir un guide d'instructions pour l'installation générale.



Identification des pièces

RENSEIGNEMENTS RELATIFS À L'ÉLECTRICITÉ

AVERTISSEMENT

- Ne conservez et n'utilisez ni essence, ni vapeurs ou substances liquides inflammables à proximité de cet appareil ou de tout autre appareil.
- Évitez les risques de feu ou de choc électrique. N'utilisez pas de rallonge ou d'adaptateur. N'enlevez pas de broche sur le cordon d'alimentation.

AVERTISSEMENT

- Assurez-vous que l'alimentation en électricité correspond au modèle que vous avez choisi. Ces informations sont disponibles sur la plaque signalétique, qui se trouve sur côté du châssis et derrière la grille.
- Assurez-vous que le climatiseur est correctement mis à la terre. Une mise à la terre correcte est importante pour minimiser les risques de choc et de feu. Le cordon d'alimentation est muni d'une prise de mise à la terre à trois broches pour vous protéger contre les risques de choc.
- Votre climatiseur doit être branché sur une prise murale correctement mise à la terre. Si la prise murale que vous prévoyez utiliser n'est pas mise à la terre correctement ou protégée par un fusible à fusion lente ou un disjoncteur, demandez à un électricien qualifié d'installer la bonne prise.
- Assurez-vous que la prise sera accessible après l'installation de l'appareil.



Identification des pièces

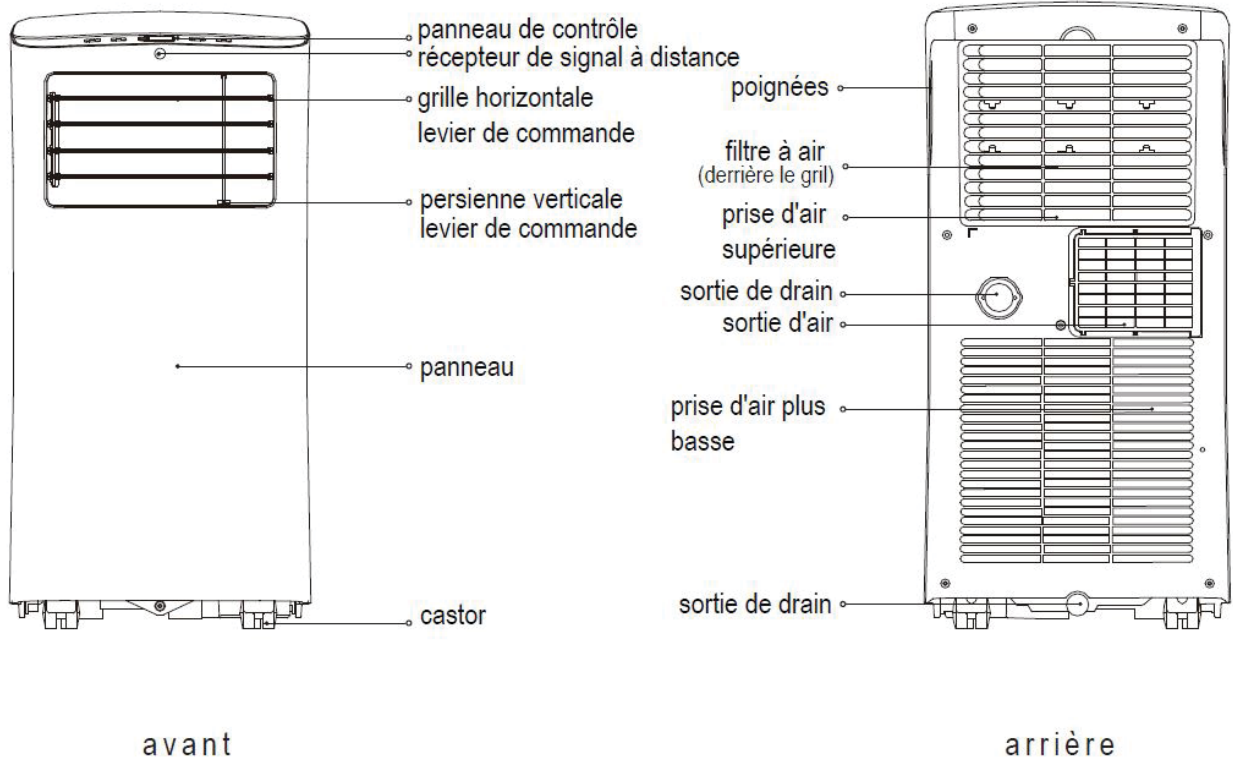
ACCESSOIRES

Assurez-vous que tous les accessoires sont inclus dans l'emballage et consultez la notice d'installation pour connaître leur utilisation.

REMARQUE : Toutes les illustrations contenues dans ce manuel servent à des fins d'explication seulement. Votre climatiseur peut être légèrement différent. La forme réelle aura préséance.

Partie	Description du produit	Quantité
	adaptateur d'unité	1 pc
	tuyau d'échappement	1 pc
	adaptateur de curseur de fenêtre	1 pc
	boulon	2 pc
	curseur de fenêtre A	1 pc
	curseur de fenêtre B et C	1 pc
	joint mousse A (adhésif)	4 pc
	joint mousse B (adhésif)	2 pc
	joint mousse C (non adhésif)	2 pc
	support de sécurité et 2 vis	1 ens
	tuyau de drainage	1 pc
	télécommande et batterie	1 ens

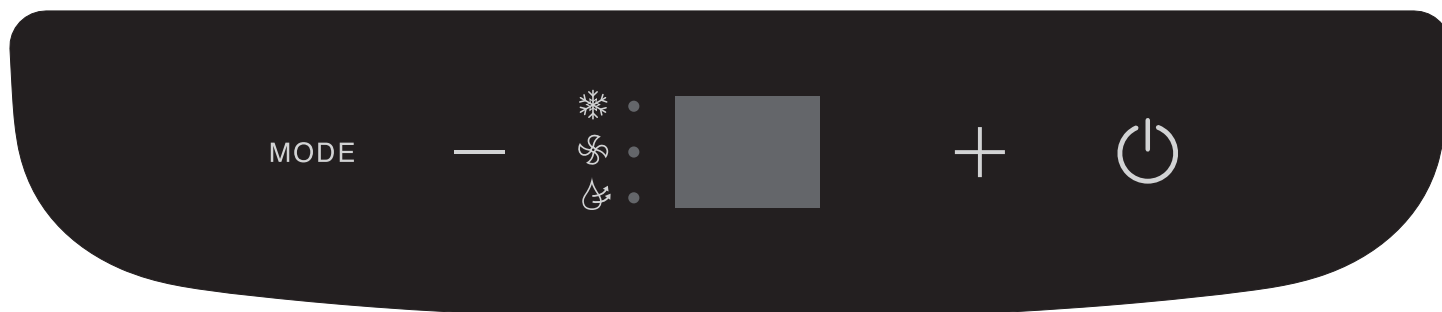
STRUCTURE DE L'APPAREIL





Caractéristiques

INSTRUCTIONS RELATIVES AUX COMMANDES ÉLECTRONIQUES



Bouton de Mode: Permet de sélectionner le mode de fonctionnement approprié. Chaque fois que vous appuyez sur le bouton, un mode est sélectionné dans l'ordre suivant : COOL, (REFROIDISSEMENT), DRY (DÉSHUMIDIFICATION) et FAN (VENTILATEUR). L'indicateur de mode correspondant au mode sélectionné s'allume. La vitesse du ventilateur peut être choisie en modes COOL et FAN à l'aide de la télécommande.



COOL mode

Remarque: Le tuyau doit être épuisé pendant le mode COOL

- Appuyez sur le bouton de mode jusqu'à ce que l'icône COOL s'allume
- Appuyez sur les flèches HAUT ou BAS pour sélectionner la température ambiante désirée
- La température peut être réglée dans une plage de 17-30 ° C / 62-86 ° F



FAN mode

- Appuyez sur le bouton de mode jusqu'à ce que l'icône FAN s'allume
- La vitesse du ventilateur peut être réglée à l'aide de la télécommande



DRY mode

- Appuyez sur le bouton de mode jusqu'à ce que l'icône DRY s'allume
- L'affichage indique la température ambiante actuelle
- La vitesse et la température du ventilateur ne peuvent pas être réglées dans ce mode

Boutons HAUT et BAS:

Permet de régler les paramètres de température en mode COOL. Appuyez et maintenez les boutons Haut et Bas pendant 3 secondes pour changer l'affichage de la température de °C à °F.



Bouton POWER (MARCHE/ARRÊT): Allume/éteint l'appareil.

LED Display:

- En mode COOL, la température réglée en ° C ou ° F
- Lorsque le mode FAN at DRY indique la température ambiante
- Affiche les codes d'erreur

AUTO mode

- Ne peut être activé que par télécommande
- Il n'y a pas d'affichage du mode AUTO sur le panneau de commande
- L'affichage indique COOL ou FAN en fonction de la température ambiante

SLEEP mode

- Ne peut être activé qu'à partir de la télécommande
- Conserve l'énergie pendant les heures de sommeil
- Lorsqu'il est activé, le mode SLEEP augmente la température réglée de 1 degré pendant 30 minutes. La température réglée augmente un autre degré dans les 30 prochaines minutes, puis maintient la température pendant 7 heures avant de revenir au réglage d'origine.
- La fonction SLEEP n'est disponible qu'en mode COOL



Indicateur
de puissance

Mode minuterie
indicateur



Consignes d'utilisation

MODES DE FONCTIONNEMENT

Fonctionnement du minuteur

Remarque: La fonction de minuterie ne peut être activée que par la télécommande.

Cet appareil possède deux fonctions liées à la minuterie:

- **Minuterie activée:** définit le temps après lequel l'appareil s'allume
- **Minuteur désactivé:** définit le délai après lequel l'appareil s'éteint

Fonction Timer On:

- Appuyez sur la touche Timer On de la télécommande
- La dernière période de temps réglée s'affiche sur l'écran
- Appuyez plusieurs fois sur la touche Timer On pour régler le nombre d'heures devant passer avant que l'appareil ne s'allume
- Attendez deux secondes pour que la programmation soit acceptée par l'appareil

Fonction Timer Off:

- Appuyez sur la touche Timer Off de la télécommande
- La dernière période de temps réglée s'affiche sur l'écran
- Appuyez plusieurs fois sur la touche Timer Off pour régler le nombre d'heures devant passer avant que l'appareil ne s'éteigne
- Attendez deux secondes pour que la programmation soit acceptée par l'appareil

Remarques:

- En appuyant sur les boutons Timer On ou Timer Off, la durée réglée est augmentée par incréments de 0,5 heure jusqu'à 10 heures, puis par incréments de 1 heure jusqu'à 24 heures
- L'affichage revient à afficher le réglage de température précédent si l'appareil ne reçoit pas de signal pendant une période de 5 secondes pendant la programmation
- Si vous réglez le réglage de la minuterie sur 0.0 heures, les réglages de la minuterie automatique

Utilisation simultanée des fonctions Timer On et Timer Off

Vous pouvez régler le climatiseur pour qu'il s'allume et fonctionne pendant une période de temps définie, puis à nouveau désactivé en utilisant les fonctions Auto-on et Auto-off en même temps. Gardez à l'esprit que les heures affichées sur l'appareil se rapportent au nombre d'heures qui passera de l'heure actuelle avant que l'action soit prise.

Par exemple:

- Tout d'abord, réglez la fonction Timer On ou Timer Off comme indiqué ci-dessus
- Attendez 3 secondes pour que la programmation soit acceptée par l'appareil
- Réglez la fonction Timer Off ou Timer On
- Attendez 3 secondes pour que la programmation soit acceptée par l'appareil

Redémarrage automatique: Si l'appareil perd de la puissance de façon inattendue, il redémarre avec les réglages de fonction précédents lorsque l'alimentation est rétablie.

Remarque: Une fois l'appareil arrêté, il ne peut pas être redémarré pendant 3 minutes. Le fonctionnement reprendra après 3 minutes.



Consignes d'utilisation

MANIPULATION DE LA TÉLÉCOMMANDE

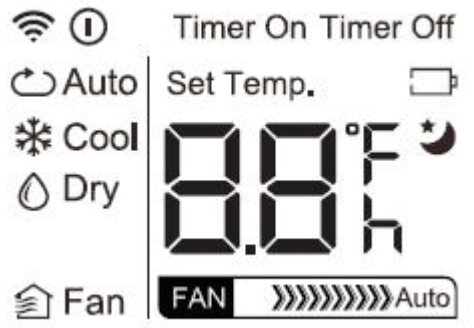
• Utilisez la télécommande à une distance de 8 mètres (26 pi.) ou moins de l'appareil, en l'orientant dans la direction du récepteur. La réception est confirmée par un bip sonore.

Bouton POWER (MARCHE/ARRÊT):
Allume/éteint l'appareil

Affichage du MODE: Affiche le mode actuellement sélectionné:
Auto --> Cool --> Dry --> Fan

FAN (ventilateur) : Affiche la vitesse sélectionnée du ventilateur :
Auto --> Normal --> High

SLEEP: Conserve l'énergie pendant les heures de sommeil

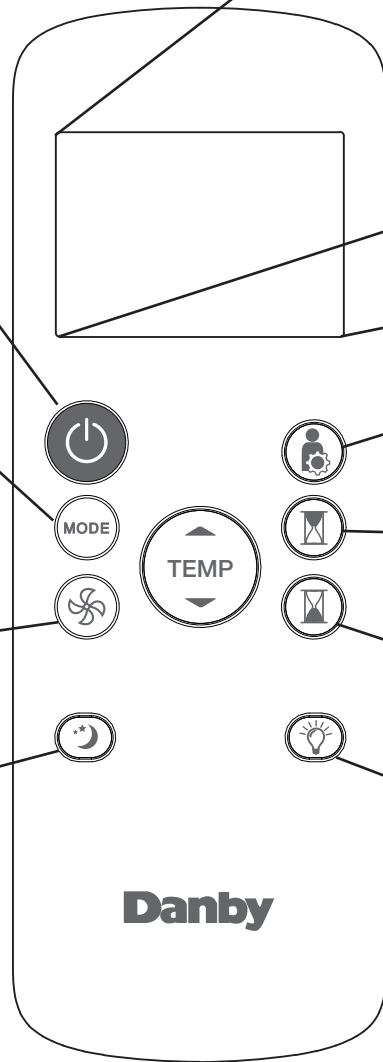


SHORTCUT: Définit et active le paramètre favori

TIMER ON: Permet de régler la fonction Auto-on

TIMER OFF: Permet de régler la fonction Auto-off

LED: Active ou désactive l'affichage DEL



SHORTCUT fonction (uniquement disponible sur la télécommande):

- Utilisé pour enregistrer un paramètre favori
- Réglez l'appareil sur la température et la vitesse du ventilateur que vous souhaitez régler comme favori
- Maintenez la touche SHORTCUT enfoncée pendant 2 secondes
- Appuyez sur le bouton SHORTCUT à tout moment pour revenir au réglage préféré
- Si aucun favori n'est réglé, le fait d'appuyer sur la touche SHORTCUT fera fonctionner l'appareil en mode AUTO à 26 ° C (79 ° F), avec la vitesse du ventilateur réglée sur AUTO

Modèle	RG57H1(B)/BGCE-M
Tension nominale	3 V
Plage de réception du signal	8 m (26 pi)
Environnement	De -5°C à 60°C (de 23°F à 140°F)



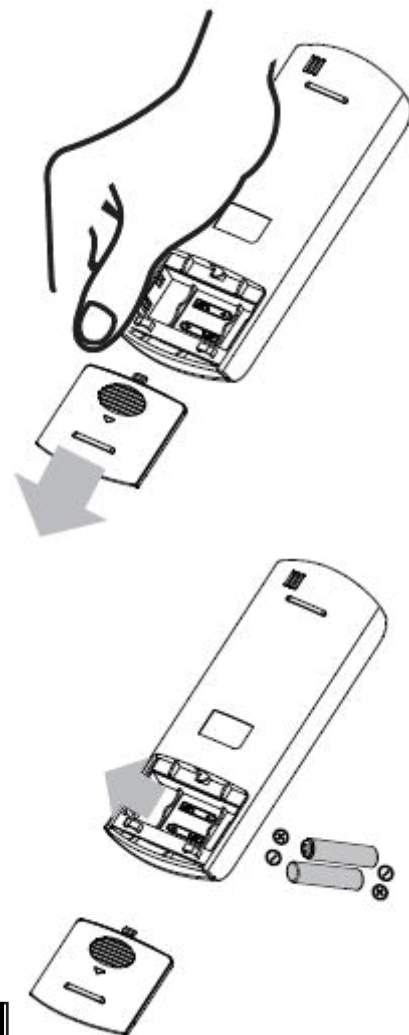
Consignes d'utilisation

REEMPLACER LES PILES DE LA TÉLÉCOMMANDE

Votre climatiseur est livré avec deux piles AAA. Placez les piles dans la télécommande avant utilisation.

1. Faites glisser le couvercle arrière de la télécommande vers le bas pour exposer le compartiment des piles.
2. Insérez les piles, assurez-vous qu'elles correspondent aux symboles (+) et (-) aux extrémités des piles avec les symboles à l'intérieur du compartiment des piles.
3. Remettez le couvercle en place.

- Le climatiseur ne fonctionne pas si le signal envoyé par la télécommande à l'appareil est bloqué par des rideaux, des portes ou d'autres matériaux.
- Évitez que la télécommande n'entre en contact avec du liquide. N'exposez pas la télécommande à la chaleur ou à la lumière directe du soleil.
- Si le récepteur du signal infrarouge qui se trouve sur l'unité intérieure est exposé à la lumière directe du soleil, il est possible que le climatiseur ne fonctionne pas correctement. Tirez les rideaux pour empêcher que la lumière ne tombe sur le récepteur.
- Si d'autres appareils électroménagers réagissent à la télécommande, déplacez ces appareils à un autre endroit ou consultez votre détaillant local.
- Ne mélangez pas des piles neuves et des piles usées, ou de piles de types différents (si en vigueur).
- Ne laissez pas les piles dans la télécommande si celle-ci ne servira pas plus de 2 mois.



IMPORTANT

Ne jetez pas les piles comme déchets municipaux non triés. Se référer aux lois locales pour l'élimination correcte des piles.

REMARQUE : Cet appareil a été testé et déclaré conforme aux limites imposées aux appareils numériques de classe B, en vertu de l'alinéa 15 du règlement de la FCC. Ces limites sont destinées à assurer une protection raisonnable contre les interférences nuisibles dans un environnement résidentiel. Cet appareil génère, utilise et peut émettre de l'énergie radiofréquence et, s'il n'est pas installé et utilisé conformément aux instructions, risque de provoquer des interférences nuisibles lors de la réception d'émissions de radio ou de télévision (il suffit, pour le vérifier, d'allumer et d'éteindre successivement l'appareil); s'il constate de telles interférences, l'utilisateur devra prendre les mesures nécessaires pour les éliminer. À cette fin, il devra :

1. Réorienter ou déplacer l'antenne réceptrice.
2. Accroître la distance entre l'appareil et le récepteur.
3. Brancher l'appareil sur une prise de courant appartenant à un autre circuit que celui du récepteur.
4. Chercher de l'aide auprès du détaillant ou d'un technicien en radio ou en télévision expérimenté.

Des changements ou modifications non approuvés par l'autorité ayant confirmé la conformité de l'appareil aux règlements de la FCC pourraient faire retirer l'autorisation d'utilisation de l'appareil.

Cet appareil est conforme à la Section 15 des réglementations de la FCC.

Son utilisation est soumise aux deux conditions suivantes:

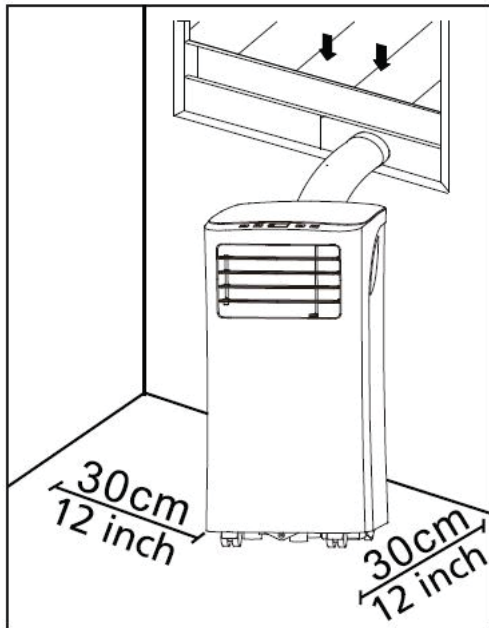
1. Cet appareil ne doit pas causer d'interférences nuisibles, et
2. Cet appareil doit accepter toute interférence reçue, y compris les interférences qui pourraient causer un fonctionnement non souhaité.

Cet appareil est conforme à la norm CAN ICES-3 (B) / NMB-3 (B) du Canada.



Consignes d'utilisation

EMPLACEMENT

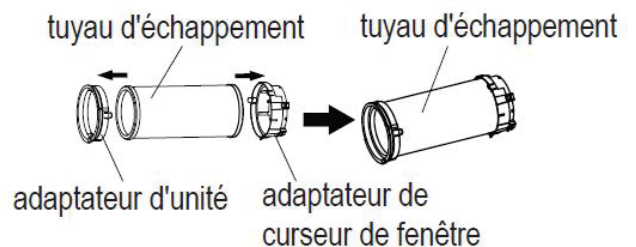


- Le climatiseur doit être placé sur une fondation solide pour minimiser le bruit et les vibrations. Pour la sûreté, placez l'appareil sur un plancher lisse et de niveau, assez fort pour le supporter.
- L'appareil est doté de roulettes pour faciliter son déplacement. Il ne doit être roulé que sur des surfaces lisses et planes. Soyez prudent lorsque vous roulez sur des tapis. Ne roulez pas l'appareil par-dessus des objets. Soyez prudent et protégez les planchers en bois si vous faites rouler l'appareil dessus.
- L'appareil doit être utilisé à distance d'une prise homologuée et mise à la terre, ne dépassant pas la longueur du cordon d'alimentation.
- Ne placez jamais d'obstacles autour de l'entrée ou de la sortie d'air de l'appareil.
- Laissez au moins 30 cm (1 pi) d'espace libre entre le mur et l'appareil afin de permettre une climatisation efficace.

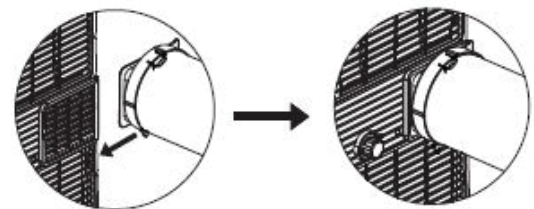
INSTALLATION DE LA TROUSSE DE GLISSIÈRE POUR FENÊTRE

Votre trousse de glissière pour fenêtre est conçue pour s'adapter à la plupart des fenêtres à ouverture horizontale ou verticale. Toutefois, vous devrez peut-être improviser ou modifier certains aspects des procédures d'installation pour certains types de fenêtres. **Voir www.danby.com pour obtenir une vidéo d'instructions générales.**

Appuyez sur le tuyau d'échappement dans l'adaptateur de glissière de la fenêtre et l'adaptateur de l'unité. Les adaptateurs serreront automatiquement au tuyau d'échappement usig boucles élastiques internes.

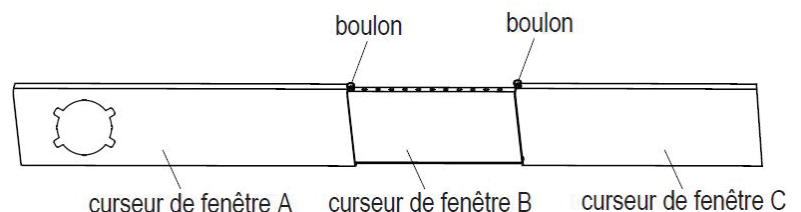


Faites glisser l'adaptateur de l'unité de tuyau d'échappement dans l'ouverture de sortie d'air dans le sens de la flèche.



Mesurer l'ouverture de la fenêtre où le kit de fenêtre sera installé et étendre les curseurs pour correspondre à la mesure. Si l'ouverture de la fenêtre nécessite trois glissières, utilisez le boulon pour fixer les glissières à la bonne longueur.

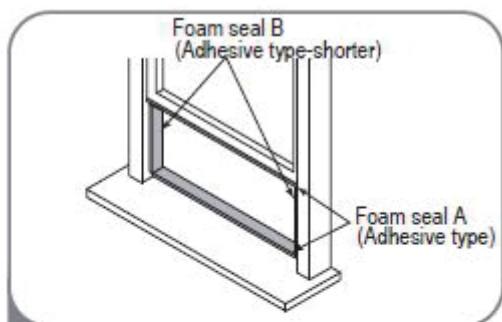
Si l'ouverture de la fenêtre est inférieure à la longueur minimale indiquée pour la trousse de glissière pour fenêtre, coupez celle qui contient un trou pour qu'elle entre dans l'ouverture de la fenêtre. Ne coupez jamais la section de la trousse de glissière pour fenêtre où se trouve le trou.



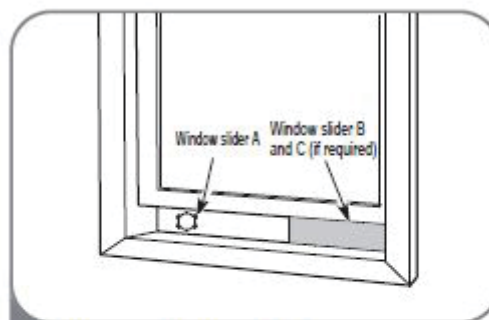


Consignes d'installation

INSTALLATION DANS UNE FENÊTRE À GUILLOTINE DOUBLE



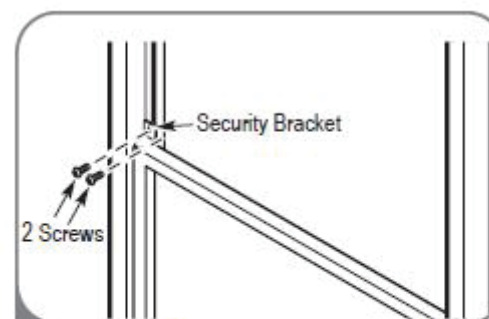
1 Couper les bandes A et B en mousse adhésive aux longueurs appropriées et les fixer sur le cadre et le cadre de la fenêtre comme illustré.



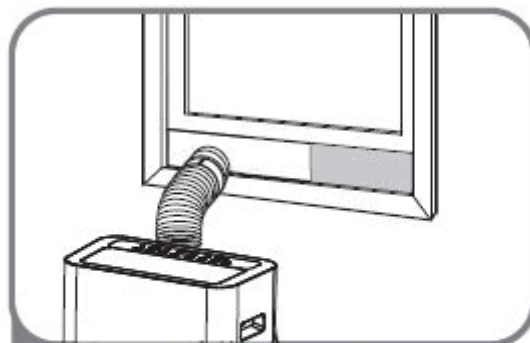
2 Insérez l'ensemble coulissant de la fenêtre dans l'ouverture de la fenêtre.



3 Couper la bande en C mousse non adhésive pour qu'elle corresponde à la largeur de la fenêtre. Insérez le joint entre le verre et le cadre de la fenêtre pour empêcher l'air et les insectes d'entrer dans la pièce.



4 Si vous le souhaitez, installez le support de sécurité avec 2 vis comme indiqué.

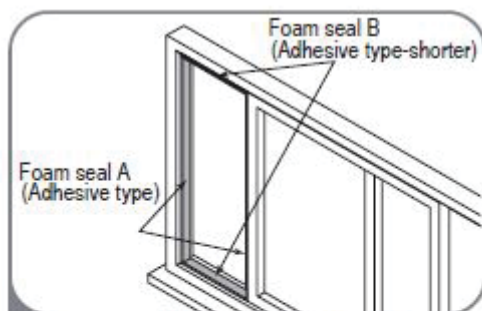


5 Insérer l'adaptateur de curseur de fenêtre dans le trou du curseur de la fenêtre.

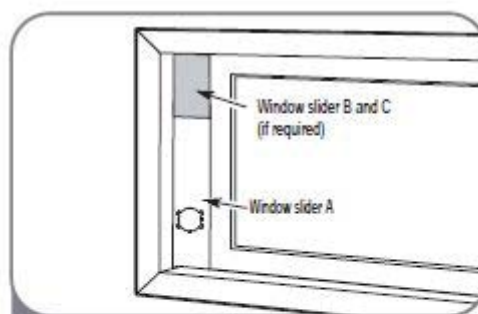


Consignes d'installation

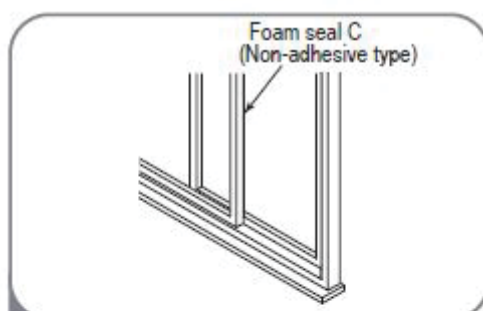
INSTALLATION DANS UNE FENÊTRE COULISSANTE



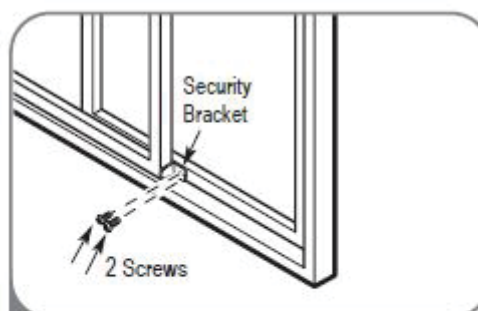
1 Couper les bandes A et B en mousse adhésive aux longueurs appropriées et les fixer sur le cadre et le cadre de la fenêtre comme illustré.



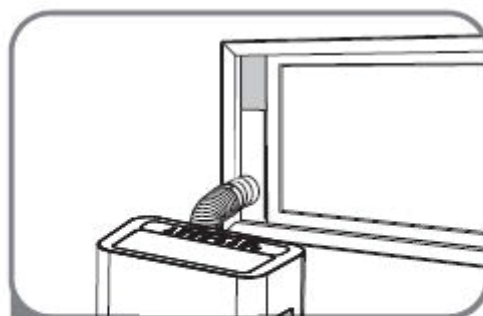
2 Insérez l'ensemble coulissant de la fenêtre dans l'ouverture de la fenêtre.



3 Couper la bande de joint en C mousse non adhésive pour qu'elle corresponde à la hauteur de la fenêtre. Insérez le joint en mousse entre le verre et le cadre de la fenêtre pour empêcher l'air et les insectes d'entrer dans la salle.



4 Si vous le souhaitez, installez le support de sécurité avec 2 vis comme illustré.



5 Insérer l'adaptateur de curseur de fenêtre dans le trou du curseur de la fenêtre.



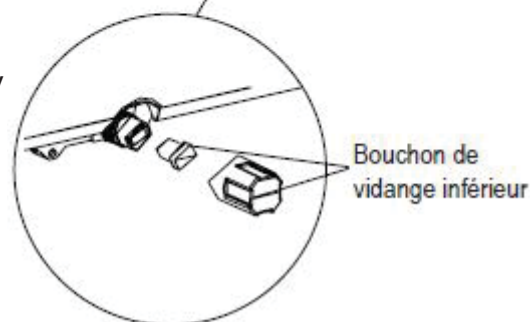
Consignes d'installation

DRAINAGE DE L'EAU

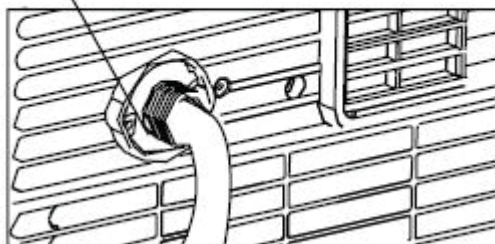
Lorsque le bac de vidange interne est plein, l'appareil émet 8 bips et l'affichage numérique indique le code d'erreur P1. L'air conditionné ou l'action de déshumidification s'arrêtera, mais le ventilateur peut continuer à fonctionner.

Mettez l'appareil hors tension et débranchez-le de la source d'alimentation. Déplacez délicatement l'appareil vers un endroit où l'eau peut être vidangée. Retirez le bouchon de vidange inférieur et laissez l'eau s'écouler complètement. Remettez en place le bouchon de vidange inférieur, en appuyant fermement pour assurer un ajustement serré et aucune fuite. Le symbole d'erreur P1 disparaît et l'appareil reprend la fonction régulière une fois que l'alimentation est rétablie.

Si l'erreur P1 persiste lorsque l'appareil a été vidé d'eau, éteignez l'appareil et débranchez-le de la source d'alimentation pendant au moins 5 minutes. Si l'erreur P1 persiste après avoir branché l'appareil, veuillez appeler le service clientèle de Danby pour obtenir d'autres options de dépannage.



Tuyau de vidange continu



Pendant le mode DRY, vous pouvez configurer l'option de vidange continue afin que l'unité purge automatiquement l'eau collectée.

Enlever le tuyau d'échappement en mode DRY, ce n'est pas nécessaire. Assurez-vous que l'appareil est éteint et débranché de la source avant d'installer le tuyau de vidange.

Retirez le bouchon de vidange supérieur et fixez le tuyau de vidange fourni avec l'appareil. Assurez-vous qu'il n'y a pas de coudes dans le tuyau de vidange car cela peut empêcher l'eau de s'écouler.

Placez l'extrémité ouverte du tuyau de vidange sur le récipient dans lequel l'appareil s'écoule; Ce qui pourrait être un drain du sous-sol, un évier ou similaire.

N'oubliez pas qu'il n'y a pas de pompe de vidange dans cet appareil, le drain continu est activé par gravité seulement. S'assurer que le tuyau de vidange descend droit vers le sol à partir du raccord de vidange. Si le tuyau n'est pas positionné directement vers le bas, l'eau ne s'écoule pas correctement.



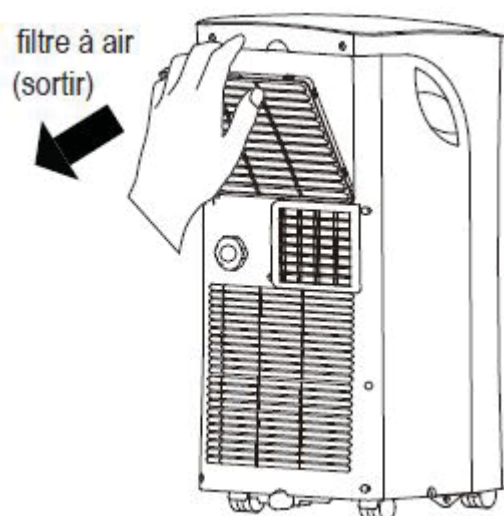
Soins et entretien

AVERTISSEMENT

1. Veillez à débrancher l'appareil avant de le nettoyer ou de procéder à son entretien.
2. N'utilisez pas d'essence, de diluant ou d'autres produits chimiques pour nettoyer l'appareil.
3. Ne lavez pas l'appareil directement sous le robinet ou à l'aide d'un tuyau : vous pourriez vous électrocuter ou causer un incendie.
4. Si le cordon d'alimentation est endommagé, il doit être réparé par le fabricant ou l'un de ses représentants de l'entretien.

FILTRE À AIR

- Nettoyer le filtre à air toutes les deux semaines pour assurer une performance optimale
- Dans les ménages avec des animaux, vous aurez besoin d'essuyer périodiquement le gril pour empêcher l'écoulement d'air bloqué dû aux poils d'animaux



ENCEINTE DE L'APPAREIL

Pour nettoyer l'enceinte de l'appareil, servez-vous d'un chiffon non pelucheux trempé dans un détergent neutre, assurez-vous d'aspirer le tissu de l'excès d'eau. Finissez le nettoyage en essuyant l'appareil avec un chiffon propre et sec.

ENTREPOSAGE À LONG TERME

- Enlevez le bouchon en caoutchouc qui se trouve à l'arrière de l'appareil, puis raccordez un tuyau à l'orifice de drainage. Placez l'extrémité ouverte du tuyau directement au-dessus du drain qui se trouve dans le plancher de votre sous-sol.
- Enlevez le bouchon de l'orifice de sortie inférieur : toute l'eau contenue dans le plateau inférieur se videra.
- Faites fonctionner l'appareil en mode VENTILATEUR pendant un demi-journée dans une pièce chaude pour sécher l'intérieur de l'appareil et empêcher la formation de moisissure.
- Arrêtez l'appareil et débranchez-le, enrroulez le cordon et attachez-le au moyen du ruban adhésif.
- Retirez les piles de la télécommande.
- Nettoyez le filtre à air et remettez-le en place.

Dépannage

De temps en temps, un problème est mineur et un appel de service peut ne pas être nécessaire. Utilisez ce guide de dépannage pour trouver une solution possible. Si l'unité continue de fonctionner incorrectement, appelez un dépôt de service autorisé ou le **numéro sans frais de Danby** pour obtenir de l'assistance.

Tel: 1-800-26-**Danby**® (1-800-263-2629)

PROBLÈME	CAUSE POSSIBLE	SOLUTION
L'appareil ne se met pas en marche après une pression sur le bouton Marche/Arrêt	<ul style="list-style-type: none"> • Ft apparaît dans l'afficheur • La température de la pièce est inférieure à la température réglée (mode refroidissement) • La température de la pièce est plus haute à la température réglée (mode chauffage) 	<ul style="list-style-type: none"> • Drainez l'eau du plateau inférieur • Réglez la température à nouveau
Pas assez frais	<ul style="list-style-type: none"> • Les portes ou les fenêtres de la pièce ne sont pas fermées • Il y a des sources de chauffage dans la pièce • La conduite d'évacuation n'est pas raccordée ou est bloquée • La température est réglée à une température trop élevée • Le filtre à air est bloqué par la poussière 	<ul style="list-style-type: none"> • Assurez-vous que toutes les portes et les fenêtres sont fermées • Si possible, enlevez les sources de chaleur • Raccordez la conduite et assurez-vous qu'elle fonctionne correctement • Diminuez la température réglée • Nettoyez le filtre à air
Bruits ou vibrations	<ul style="list-style-type: none"> • Le sol n'est pas horizontal ou assez plat 	<ul style="list-style-type: none"> • Si possible, posez l'appareil sur une surface plate et horizontale
Gargouillis	<ul style="list-style-type: none"> • Ce son provient du mouvement du fluide frigorigène dans le climatiseur 	<ul style="list-style-type: none"> • C'est normal

MISE AU REBUT

Vérifiez le respect des réglementations locales concernant la mise au rebut approuvée et sécurisée de cet appareil.

CODES D'ERREUR:

E1 - Erreur de capteur de température ambiante

E2 - Erreur du capteur de température de l'évaporateur

E4 - Erreur de communication du panneau d'affichage

P1 - Le bac à eau est plein - fixer le tuyau de vidange et égoutter l'eau en excès

GARANTIE LIMITÉE SUR APPAREIL ÉLECTROMÉNAGER

Cet appareil de qualité est garanti exempt de tout vice de matière première et de fabrication, s'il est utilisé dans les conditions normales recommandées par le fabricant.

Cette garantie n'est offerte qu'à l'acheteur initial de l'appareil vendu par Danby Products Limited (Canada) ou Danby Products Inc. (E.- U.A.) (ci-après « Danby ») ou par l'un des ses distributeurs agréés et elle ne peut être transférée.

CONDITIONS

Les pièces en plastique sont garanties pendant trente (30) jours seulement à partir de la date de l'achat, sans aucune prolongation prévue.

Premiers 12 mois Pendant les premiers douze (12) mois, toutes les pièces fonctionnelles de ce produit qui s'avèrent défectueuses seront réparées ou remplacées, selon le choix du garant, sans frais à l'acheteur INITIAL.

Pour bénéficier du service Le client sera responsable pour le transport et tous les frais d'expédition de tout appareil exigeant le service au dépôt de service autorisé le plus proche. S'adresser au détaillant qui a vendu l'appareil, ou à la station technique agréée de service la plus proche, où les réparations doivent être effectuées par un technicien qualifié. Si les réparations sont effectuées par quiconque autre que la station de service agréée où à des fins commerciales, toutes les obligations de Danby en vertu de cette garantie seront annulées.

Limites de l'entretien à domicile Si l'appareil est installé à plus de 100 kilomètres (62 milles) du centre de service le plus proche, il doit être livré à l'atelier de réparation autorisé par Danby le plus proche, car l'entretien doit uniquement être réalisé par un technicien qualifié et certifié pour effectuer un entretien couvert par la garantie de Danby. Les frais de transport entre votre domicile et le lieu de l'entretien ne sont pas couverts par la présente garantie et doivent être acquittés par l'acheteur.

Aucune partie de la garantie ne prévoit implicitement que le fabricant sera tenu responsable des dommages subis par les aliments ou d'autres types de contenu, qu'ils soient causés par la défectuosité de l'appareil ou par son usage adéquat ou inadéquat.

EXCLUSIONS

En vertu de la présente, il n'existe aucune autre garantie, condition ou représentation, qu'elle soit exprimée ou tacite, de façon manifeste ou intentionnelle, par Danby ou ses distributeurs agréés. De même, sont exclues toutes les autres garanties, conditions ou représentations, y compris les garanties, conditions ou représentations en vertu de toute loi régissant la vente de produits ou de toute autre législation ou règlement semblables. En vertu de la présente, Danby ne peut être tenue responsable en cas de blessures corporelles ou des dégâts matériels, y compris à l'appareil, quelle qu'en soit les causes. Danby ne peut pas être tenue responsable des dommages indirects dus au fonctionnement défectueux de l'appareil. En achetant l'appareil, l'acheteur accepte de mettre à couvert et de dégager Danby de toute responsabilité en cas de réclamation pour toute blessure corporelle ou tout dégât matériel causé par cet appareil.

CONDITIONS GÉNÉRALES

La garantie ou assurance ci-dessus ne s'applique pas si les dégâts ou réparations sont dus aux cas suivants :

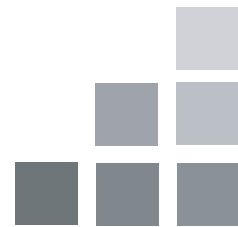
- 1) Panne de courant.
- 2) Dommages subis pendant le transport ou le déplacement de l'appareil.
- 3) Alimentation électrique incorrecte (tension faible, câblage défectueux, fusibles incorrects).
- 4) Accident, modification, emploi abusif ou incorrect de l'appareil tel qu'une circulation d'air inadéquate dans la pièce ou des conditions de fonctionnement anormales (température extrêmement élevée ou basse).
- 5) Utilisation dans un but commercial ou industriel (à savoir, si l'appareil n'est pas installé dans un domicile résidentiel).
- 6) Incendie, dommages causés par l'eau, vol, guerre, émeute, hostilités, cas de force majeure (ouragan, inondation, etc.).
- 7) Visites d'un technicien pour expliquer le fonctionnement de l'appareil au propriétaire.
- 8) Installation inappropriée (par exemple, encastrement d'un appareil autoportant, ou utilisation extérieure d'un appareil non conçu à cet effet). Une preuve d'achat doit être présentée pour toute demande de réparation sous garantie. Prière de garder le reçu. Pour faire honorer la garantie, présenter ce document à la station technique agréée ou s'adresser à :

Service sous garantie
En atelier

Danby Products Limited
PO Box 1778, Guelph, Ontario, Canada N1H 6Z9
Téléphone : (519) 837-0920 Télécopieur: (519) 837-0449

1-800-263-2629
0714

Danby Products Inc.
PO Box 669, Findlay, Ohio, U.S.A. 45840
Téléphone: (419) 425-8627 Télécopieur: (419) 425-8629



PORTABLE AIR CONDITIONER

All repair parts are available for purchase or special order when you visit your nearest service depot. To request service and/or the location of the service depot nearest you, call the TOLL FREE number.

When requesting service or ordering parts, always provide the following information:

- Product Type
- Model Number
- Part Number
- Part Description

CLIMATISEUR PORTATIF

Toutes les pièces de rechange ou commandes spéciales sont disponibles à votre centre de service régional autorisé. Pour obtenir le service et/ou la localité de votre centre de service régional, signalez le NUMÉRO D'APPEL SANS FRAIS.

Ayez les renseignements suivants à la portée de la main lors de la commande de pièce ou service:

- Type de produit
- Numéro de modèle
- Numéro de pièce
- Description de la pièce



Model • Modèle
DPA060BACBDB / DPA080BACBDB