



SEARS

Kenmore

Vacuum Cleaner

OWNER'S MANUAL

READ THIS MANUAL for important safety,
assembly and operating instructions.

C01ZAMJ00U00-4370355

CONTENTS

WARRANTY	3
SERVICE	3
IMPORTANT SAFETY INSTRUCTIONS	4
PARTS AND FEATURES	5
ASSEMBLY	6-7
ATTACHMENT ASSEMBLY	7
USE	8
How to Start	8
How to Select Proper Height for Cleaning ...	8
Attachments	9
Attachment Use Chart	9
Vacuum Storage	10

VACUUM CARE	10
Bag Changing	11-12
Motor Safety Filter Cleaning	12
Belt Changing, Brush Changing and Brush Cleaning	13-15
Cleaning Exterior and Attachments	15
Light Bulb Changing	16
Clog Removal	17
Motor Protector	17
TROUBLESHOOTING	18

Proper assembly and safe use of your vacuum cleaner are your responsibilities. Your cleaner is intended only for household use. The cleaner should be stored in a dry, indoor area. Read this Owner's Manual carefully for important use and safety information.

WARRANTY

KENMORE VACUUM CLEANER FULL ONE-YEAR WARRANTY

When used for private household purposes, if within one year from the date of purchase, this vacuum cleaner fails due to a defect in material or workmanship, RETURN IT TO THE NEAREST SEARS SERVICE CENTER/DEPARTMENT IN THE UNITED STATES, and Sears will repair it free of charge.

This warranty gives you specific legal rights, and you may also have other rights which vary from state to state.

**SEARS, ROEBUCK AND CO., D/817 WA,
Hoffman Estates, IL. 60179**

SERVICE

If you need service or parts, visit your nearest Sears Service Center or the Service Department located at most Sears Retail Stores. They will be able to solve your problem and supply any needed replacement parts. Any service needed other than described in this Owner's Manual should be done by a Sears authorized service representative.

How to Order Repair Parts

When requesting service or ordering parts, have the following information available:

1. Model number.
2. Serial number.
3. Description of problem.
4. Part number.
5. Name of part.

English Speaking:

To Call Toll Free For Service: (1-800-4-REPAIR)
(1-800-473-7247)

To Call Toll Free For Parts: (1-800-FON-PART)
(1-800-366-7278)

Spanish Speaking:

To Call Toll Free For Service: (1-800-626-5811)
To Call Toll Free For Parts: (1-800-659-7084)

IMPORTANT SAFETY INSTRUCTIONS



WARNING

To reduce the risk of fire, electrical shock, injury to persons or damage when using your vacuum cleaner, follow basic safety precautions including the following:

Read this manual before assembling or using your vacuum cleaner.

Use your cleaner only as described in this manual. Use only with Sears recommended attachments.

To reduce the risk of electrical shock – **Do not** use outdoors or on wet surfaces.

Disconnect electrical supply before servicing or cleaning out brush area. Failure to do so could result in electrical shock or brush suddenly starting.

Always turn cleaner off before unplugging.

Do not unplug by pulling on cord. To unplug, grasp the plug, not the cord.

Do not use with damaged cord or plug. If cleaner is not working as it should, has been dropped, damaged, left outdoors, or dropped into water, return it to a Sears Service Center/Department.

Do not pull or carry by cord, use cord as a handle, close door on cord, or pull cord around sharp edges or corners. Do not run cleaner over cord. Keep cord away from heated surfaces.

Do not leave cleaner when plugged in. Unplug from outlet when not in use and before servicing.

Do not allow to be used as a toy. Close attention is necessary when used by or near children.

Do not handle plug or cleaner with wet hands.

Do not put any objects into openings.

Do not use with any opening blocked; keep free of dust, lint, hair and anything that may reduce air flow.

Keep hair, loose clothing, fingers, and all parts of body away from openings and moving parts.

Do not use cleaner without dust bag and/or filters in place. Always change the dust bag after vacuuming carpet cleaners or freshener, powders and fine dust. These products clog the bag, reduce airflow and can cause the bag to burst. Failure to change bag could cause permanent damage to the cleaner.

Do not use the cleaner to pick up sharp hard objects, small toys, pins, paper, etc. They may damage the cleaner or dust bag.

Do not pick up anything that is burning or smoking, such as cigarettes, matches, or hot ashes.

Do not use cleaner to pick up flammable or combustible liquids (gasoline, cleaning fluids, perfumes, etc.), or use in areas where they may be present. The fumes from these substances can create a fire hazard or explosion.

Use extra care when cleaning on stairs. Do not put on chairs, tables, etc. Keep on floor.

You are responsible for making sure that your vacuum cleaner is not used by anyone unable to operate it properly.

SAVE THESE INSTRUCTIONS

Proper assembly and safe use of your vacuum cleaner are your responsibilities. Your cleaner is intended only for household use. The cleaner should be stored in a dry, indoor area. Read this Owner's Manual carefully for important use and safety information.

PARTS AND FEATURES

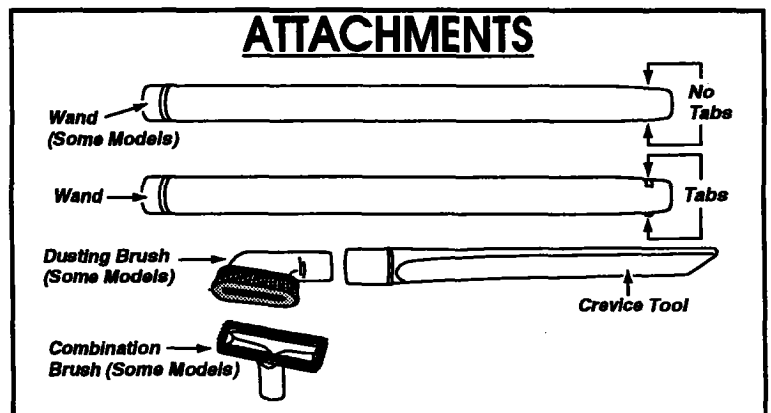
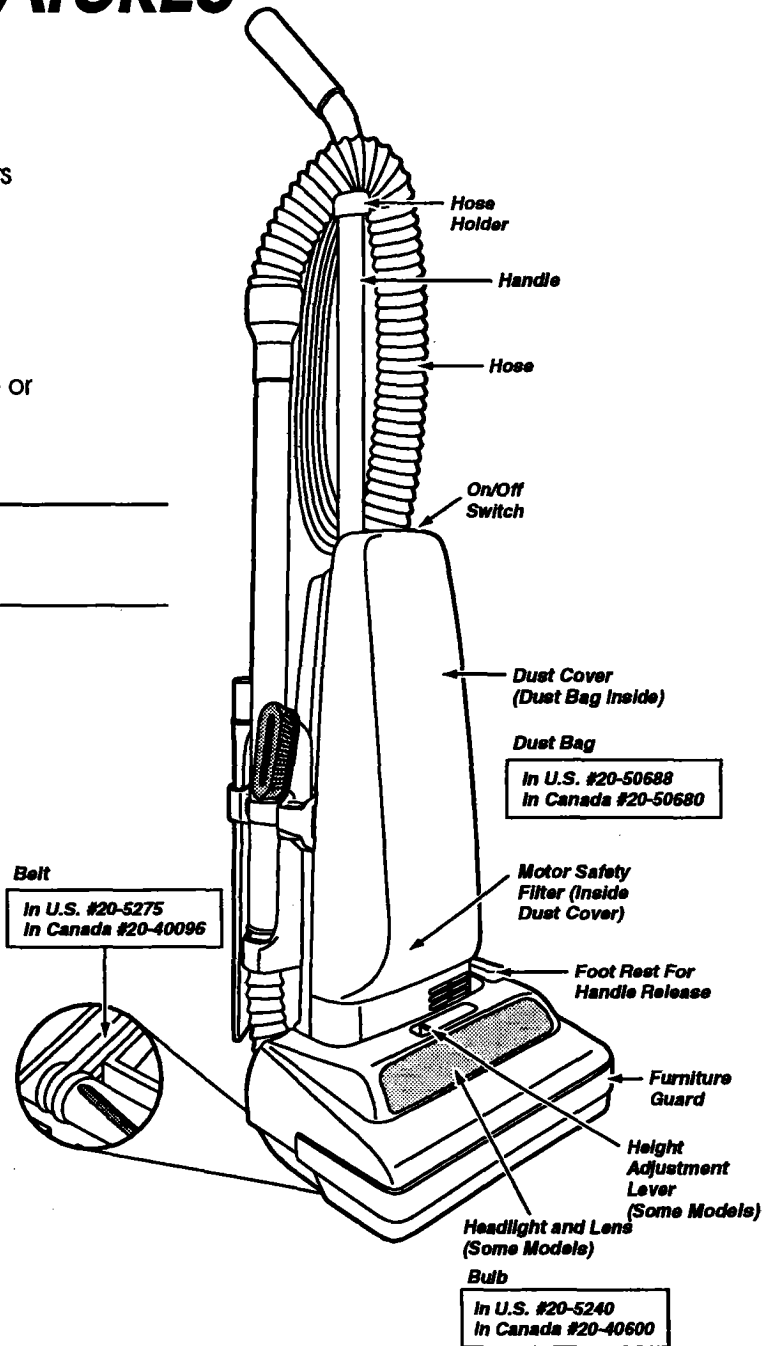
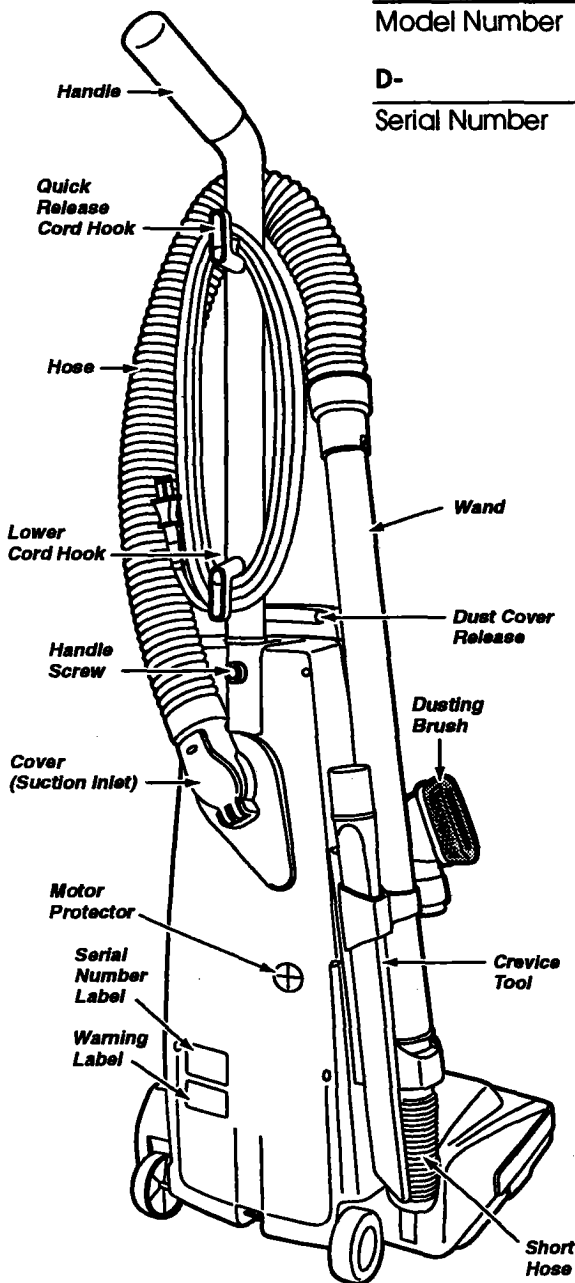
UPRIGHT VACUUM CLEANER

It is important to know your vacuum cleaner parts and features to assure its proper and safe use. Review these before using your cleaner.

COPY YOUR MODEL AND SERIAL NUMBERS HERE.

Copy this information from the bottom of the vacuum cleaner into these spaces. Keep these numbers for future reference. If you need service or call with a question, have this information ready:

116. _____
 Model Number
 D- _____
 Serial Number



ASSEMBLY

HANDLE ASSEMBLY

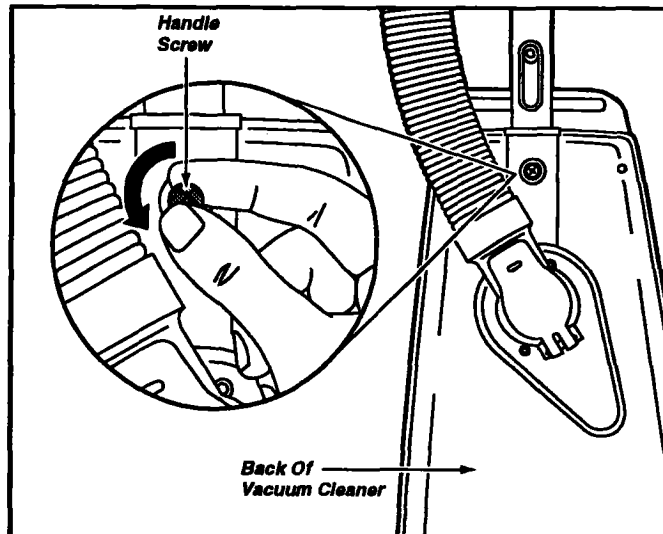
Before assembling your vacuum cleaner, be sure you have all the parts shown in PARTS AND FEATURES.



WARNING

Electrical Shock Hazard

Do not plug into electrical supply until assembly is complete. Failure to do so could result in electrical shock or injury.



Remove the handle screw located just below the top edge of the back of the vacuum. See illustration above.

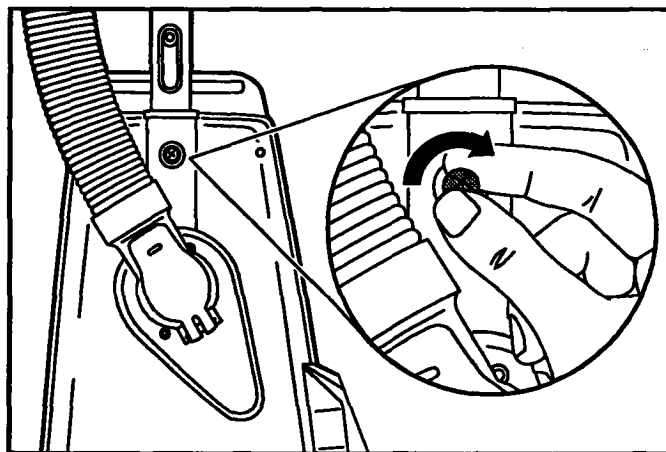
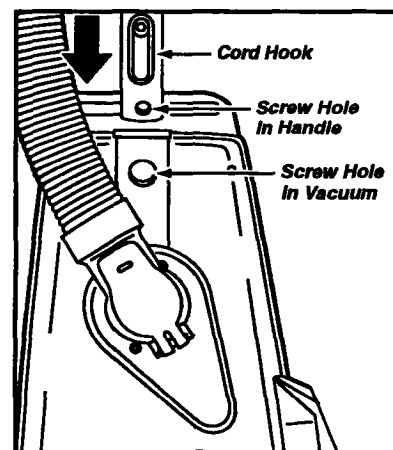
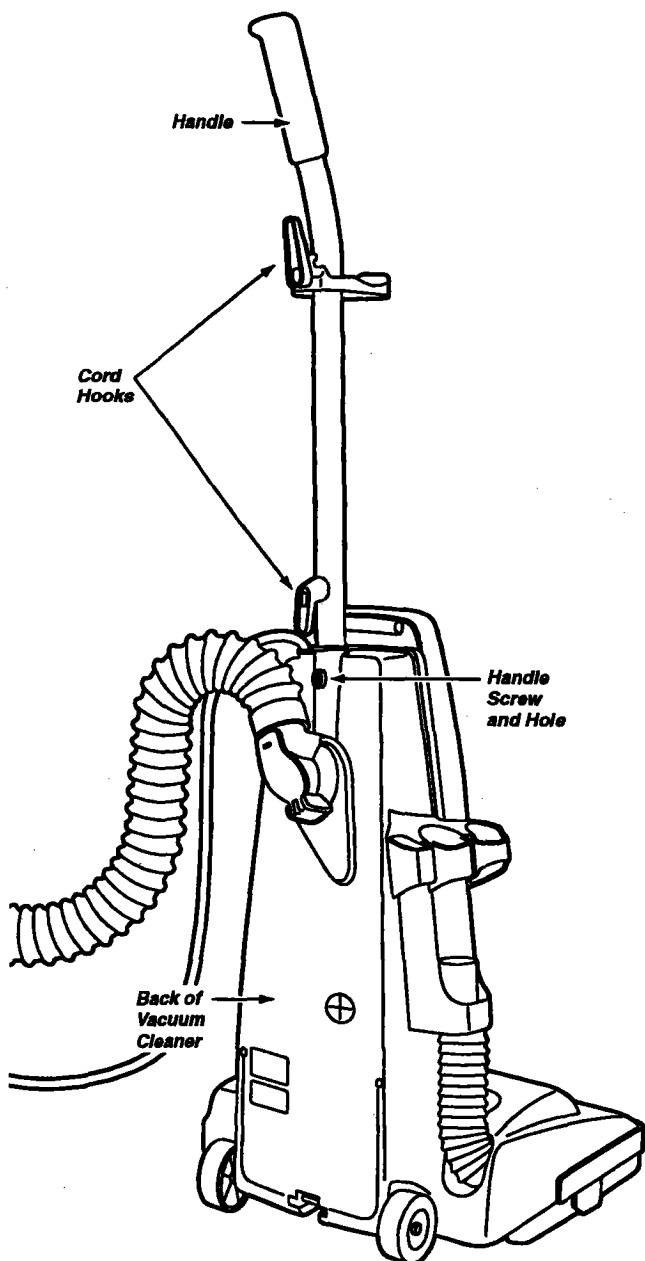
Position the handle so the cord hooks are toward the back of the cleaner.

Insert the handle into the opening at the top of the vacuum.

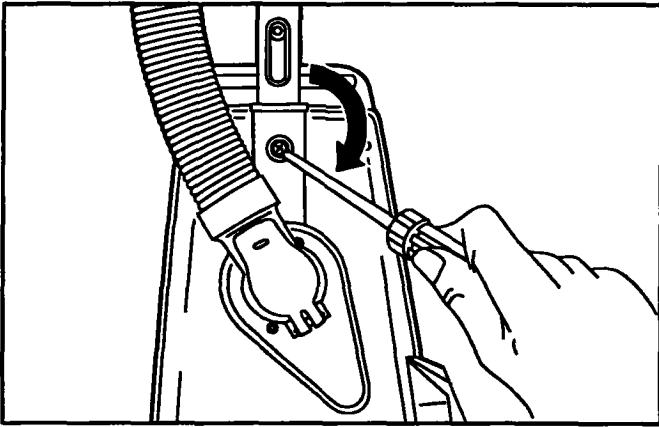
Align the handle screw in the hole in the handle and the handle screw hole in the back of the vacuum.

Insert the handle screw so it passes through the back of the vacuum into the handle.

Begin to tighten the screw with your fingers. It may be necessary to adjust the handle slightly.



Using a screwdriver, tighten the screw.



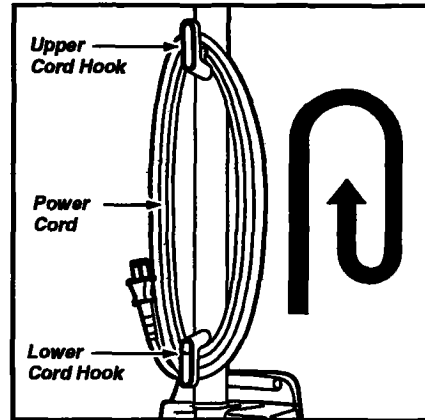
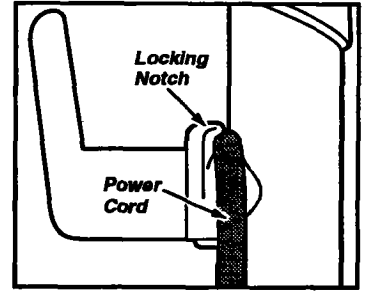
CAUTION

DO NOT overtighten. Overtightening could strip the screw holes.

DO NOT operate the cleaner without the screw in place.

CORD ASSEMBLY

Make sure the quick release upper cord hook is in the upright position. Remove the wire tie from the power cord. Lock the cord into place by forcing it into the locking notch on the body of the cord hook as shown.



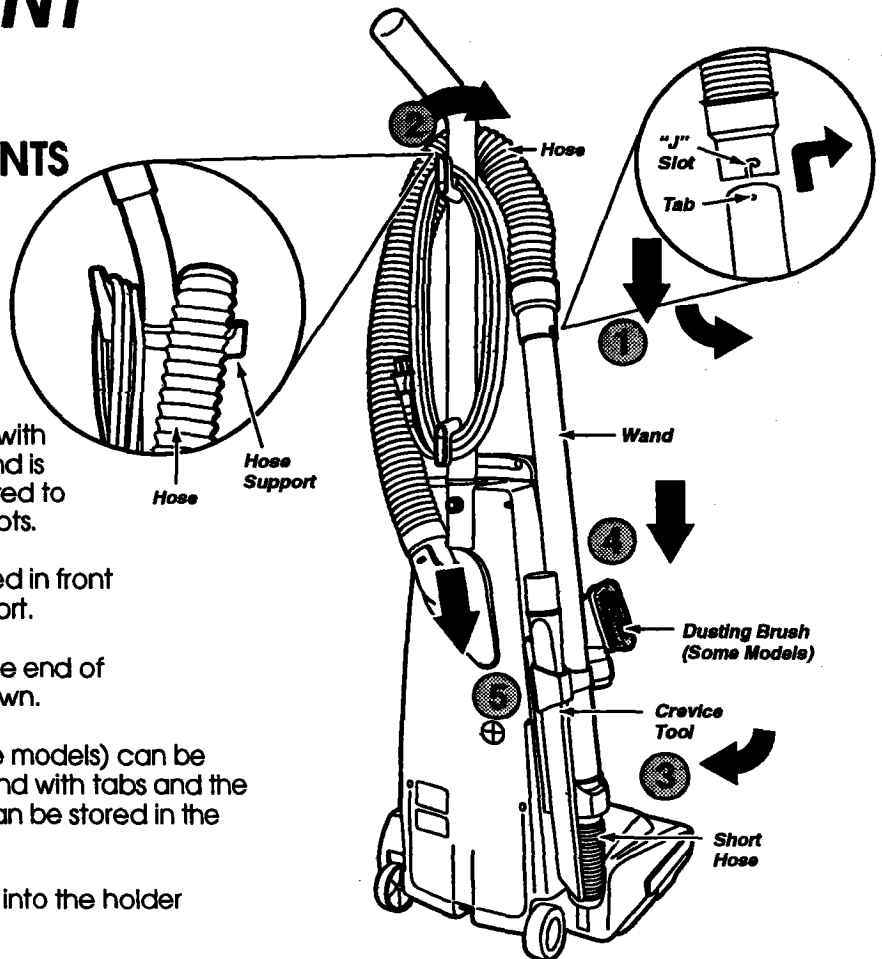
Wrap the power cord around the upper and lower cord hooks.

ATTACHMENT ASSEMBLY

TO ASSEMBLE ATTACHMENTS

After the handle has been assembled to the body and the power cord has been wrapped around the cord hooks, the attachments can be assembled.

1. The wand can be attached to the hose by inserting the small end of the wand into the open end of the hose. Be sure to align the tabs on the wand with the "J" slots in the hose. Once the wand is inserted into the hose it should be twisted to the right to lock the tabs into the "J" slots.
2. The wand and hose can then be routed in front of the handle and over the hose support.
3. The wand can then be placed over the end of the short hose, twisting as you push down.
4. The second wand, without tabs, (some models) can be placed in the holder in front of the wand with tabs and the dusting brush or combination brush can be stored in the wand or the holder, (some models).
5. The crevice tool can be slipped down into the holder beside the wand.



USE

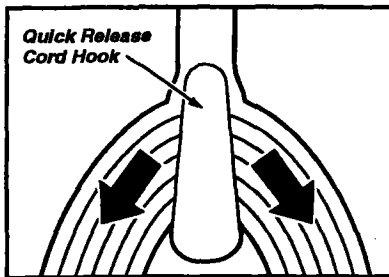
HOW TO START



WARNING

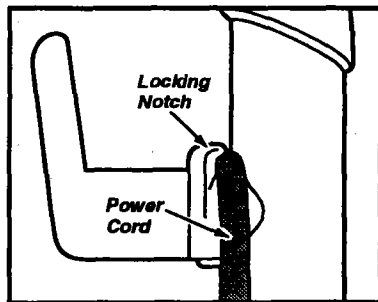
Personal Injury and Product Damage Hazard

- **DO NOT use outlets above counters. Damage to items in surrounding area could occur.**
- **Use care in plugging in the vacuum. The vacuum should be in the OFF position.**



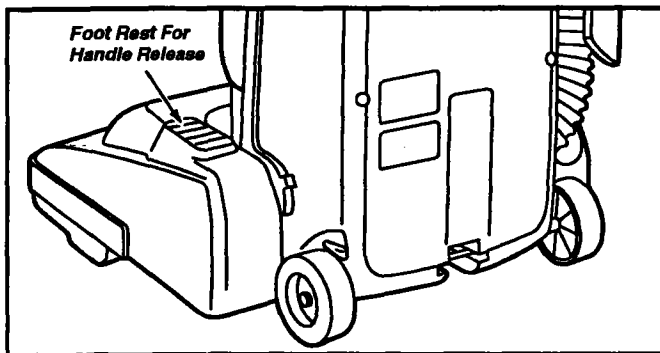
1. Turn the top cord hook down.
2. Pull the cord off the hook.

3. Once the cord is removed, lock the cord into place by forcing it into the locking notch on the body of the cord hook as shown.



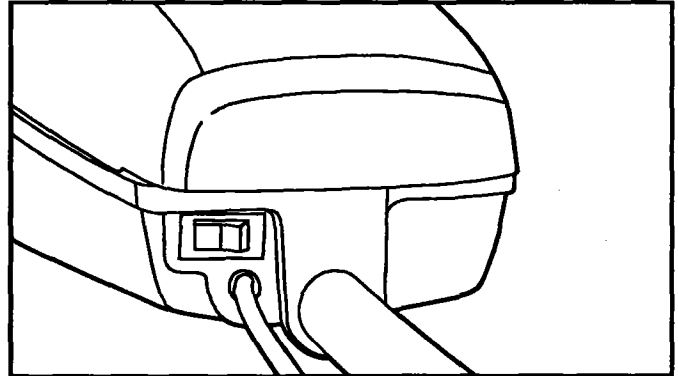
4. Plug the cord into 120 Volt outlet located near the floor.

NOTE: To reduce the risk of electric shock, this vacuum cleaner has a polarized plug, one blade is wider than the other. This plug will fit in a polarized outlet only one way. If the plug does not fit fully in the outlet, reverse the plug. If it still does not fit, contact a qualified electrician to install the proper outlet. Do not change the plug in any way.



5. Place your foot on the pad at the left rear of the cleaner and pull back on the handle until it releases from its upright position.

6. With your left hand reach down and push the On/Off switch to the right. The cleaner will now start.

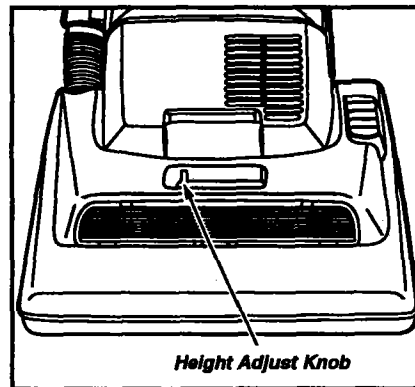


To shut the cleaner off reach down and push the switch to the left. Raising the handle up will catch the handle support spring and hold the handle in the upright position.

HOW TO SELECT PROPER HEIGHT FOR CLEANING

This cleaner has two heights in which the nozzle can be set up off the floor for the various surfaces you are trying to clean.

The height adjust knob is on the nozzle over the light lens. The settings are: HIGH and LOW.



To adjust the height, grasp the knob and move it to the desired setting.

Adjust cleaner heights by referring to the chart below to match the type of surface to be cleaned.

HIGH: medium to long pile.

LOW: short or medium pile.

Place unit in HIGH when using attachments to prevent possible floor damage.

ATTACHMENTS

TO USE ATTACHMENTS

! WARNING

Personal Injury Hazard

DO NOT place hands or feet underneath the unit when inserting the hose. When using the attachments, the agitator begins rotating. Do not allow the cleaner to remain in just one place for a period of time, as the agitator may damage the floor surface. Avoid placing the cleaner on furniture, the fringed area of rugs, deep pile carpeting, or carpeted stairs. The ideal position for the cleaner when using attachments is for the unit to be on a level area with the handle in the FULL UPRIGHT position.

Place the cleaner on a flat surface, and move the height adjustment to HIGH.

The attachments will fit on the hose or the wand. In addition the dusting brush or combination brush will also fit on the crevice tool.

The hose and wand can be pulled off the short hose by grasping the cuff and twisting while pulling up.

! CAUTION

DO NOT pull the vacuum cleaner around the room by the hose. Property damage could result.

The attachments can be added to the hose if the item to be cleaned is not far from the cleaner. The hose will expand.

NOTE: When cleaner is turned on, the hose will have a tendency to collapse due to suction of the cleaner.

If more reach is needed the wand can be attached to the hose and the attachments can be added to the wand.

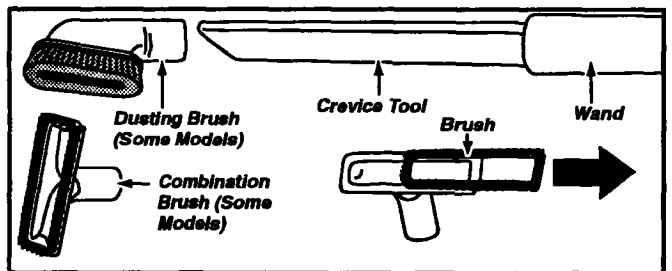
! CAUTION

When using attachments, be careful not to overextend the hose length when reaching. Trying to reach beyond the hose reach could cause the cleaner to flip over.

ON SOME MODELS:

An extra wand, without tabs, is included. This extra wand can be added to the wand with tabs for extra reach. Insert wand and twist a quarter of a turn to secure fit.

If the dusting brush or combination brush is being used and more distance is needed the crevice tool can be added to the wand then the dusting brush or combination brush can be added to the crevice tool. The combination brush can be converted to an upholstery tool by sliding the brush out of the tool.



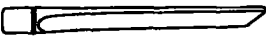


TO STORE ATTACHMENTS

Return the hose and wand to its position on the short hose and the attachments to their holders.

! CAUTION

Attachments used in dirty areas, such as under a refrigerator, should not be used on other surfaces until they are washed. They could leave marks.

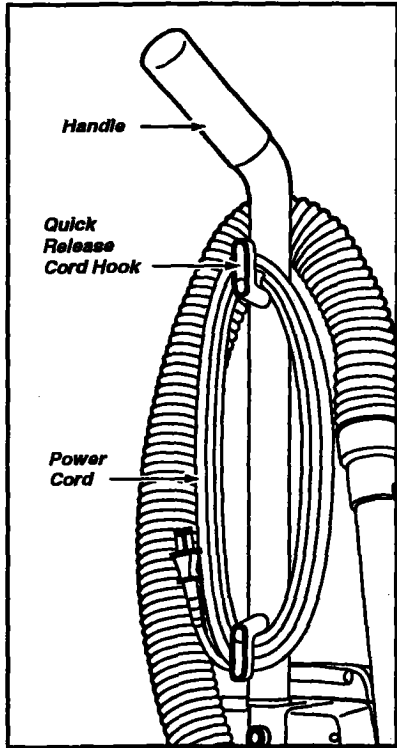
ATTACHMENT USE CHART

ATTACHMENT	Furniture*	Between Cushions*	Drapes*	Stairs	Walls
 CREVICE TOOL	X	X	X	X	X
 DUSTING BRUSH	X		X	X	X
 COMBINATION BRUSH	X		X	X	

*The motor protector by-pass valve may open when using attachments or when cleaning new carpet, due to reduced air flow by the attachments themselves or by new carpet fuzz filling the bag quickly.

*Always clean attachments before using on fabrics.

VACUUM STORAGE



Gather the cord and wrap it loosely around the upper and lower cord hooks.

Store the cleaner in a dry, indoor area, on the floor with the handle locked in the upright position.



WARNING

Electrical Shock and Personal Injury Hazard
Wrapping the cord too tightly puts stress on the cord and can cause cord damage. A damaged cord is an electrical shock hazard and could cause personal injury or damage.

VACUUM CARE

ALWAYS FOLLOW ALL SAFETY PRECAUTIONS WHEN CLEANING AND SERVICING THE VACUUM CLEANER.

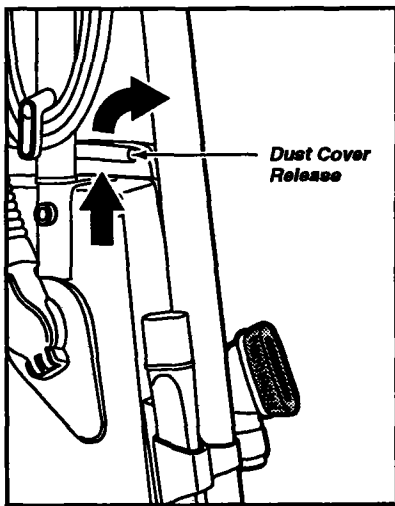


WARNING

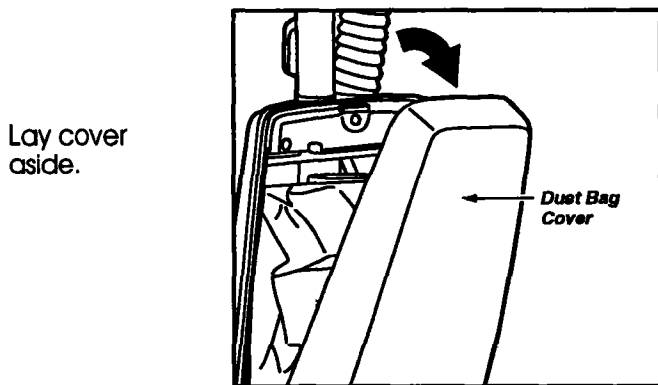
Electrical Shock Or Personal Injury Hazard
Disconnect electrical supply before servicing or cleaning the unit. Failure to do so could result in electrical shock or personal injury from cleaner suddenly starting.

BAG CHANGING

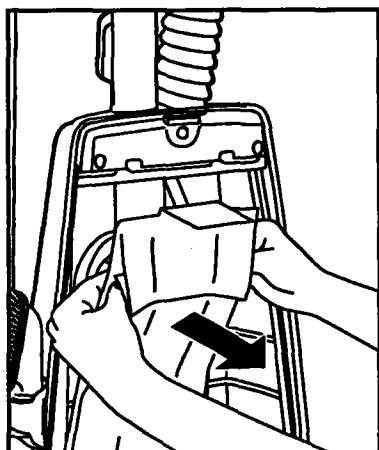
TO REMOVE BAG:



Unplug electrical cord. Squeeze the dust cover release and pull forward on the top of the dust cover to remove the cover.




Lay cover aside.



Grasp the dust bag collar and pull gently, carefully removing the dust bag.

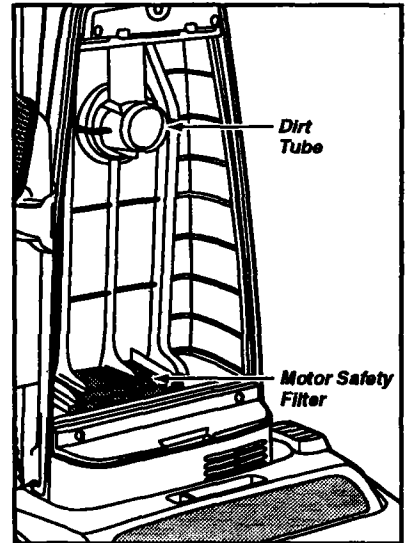
Throw away the used dust bag. **DO NOT** reuse.

 **CAUTION**

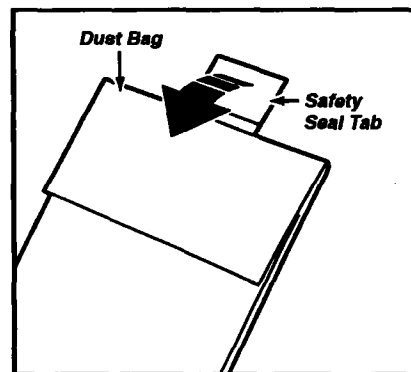
NEVER REUSE A DUST BAG. Very fine materials, such as carpet freshener, face powder, fine dust, plaster, soot, etc. can clog the bag and cause it to burst before it is full. Change bag more often when vacuuming these materials.

Check the dirt tube and the motor safety filter.

If either is blocked, check the TROUBLESHOOTING chart.



TO REPLACE BAG:

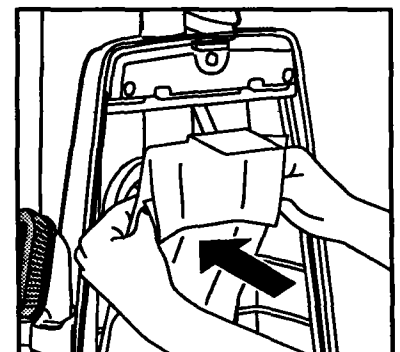


Fold the safety seal tab on the new dust bag away from the opening that fits on the dirt tube.

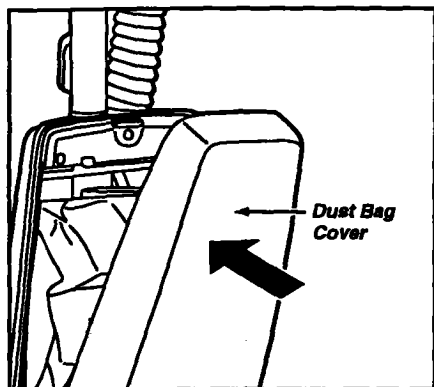
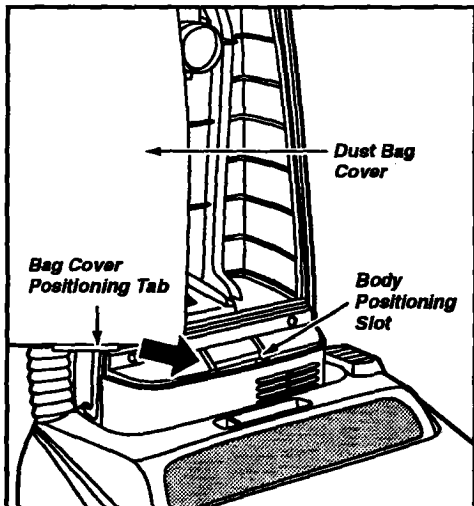
NOTE: See PARTS AND FEATURES for Dust Bag #.

Unfold the new dust bag.

Insert the dust bag onto the dirt tube completely by holding the bag collar and pushing it onto the dirt tube.



Position the dust bag cover so its positioning tab fits into the body positioning slot.



Close the bag cover.
You will hear a distinct snap when cover is securely closed.

MOTOR SAFETY FILTER CLEANING

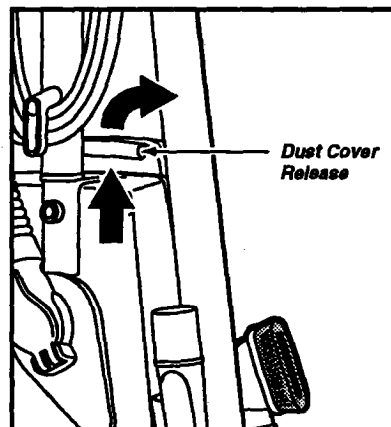
Check the motor filter frequently and clean when dirty.

WARNING

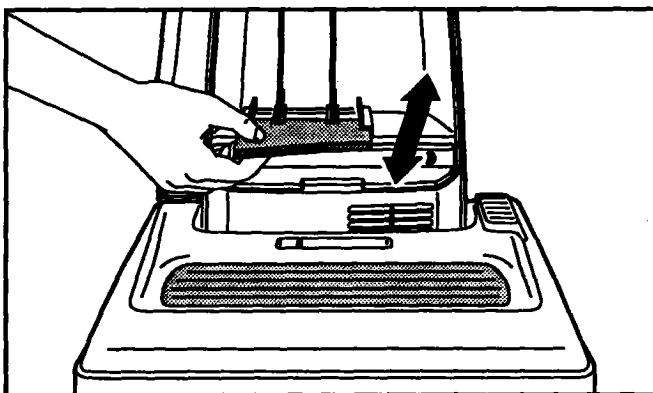
Electrical Shock Hazard

Do not operate the cleaner without the motor safety filter. Be sure the filter is dry and properly installed to prevent motor failure and/or electrical shock.

Squeeze the latch and pull forward on the top of the dust cover to remove the cover.
Remove the dust bag.



If the filter, located in the bottom of the dust cover cavity, is dirty, remove it by pulling forward out from under the ribs.



Wash the foam filter in warm soapy water, rinse and dry thoroughly by squeezing the filter in your hand and letting it air dry.

DO NOT wash in the dishwasher.

DO NOT install damp.

Replace the foam filter by sliding it back into place under the ribs in the dust cover cavity.

BELT CHANGING, BRUSH CHANGING AND BRUSH CLEANING



WARNING

Electrical Shock Or Personal Injury Hazard
Disconnect electrical supply before servicing or cleaning the unit. Failure to do so could result in electrical shock or personal injury from cleaner suddenly starting.

Frequently check and remove hair, string and lint build-up in the brush area. If build-up becomes excessive, follow the steps below. Should the belt become loose or should it break, follow the Belt Removal instructions.

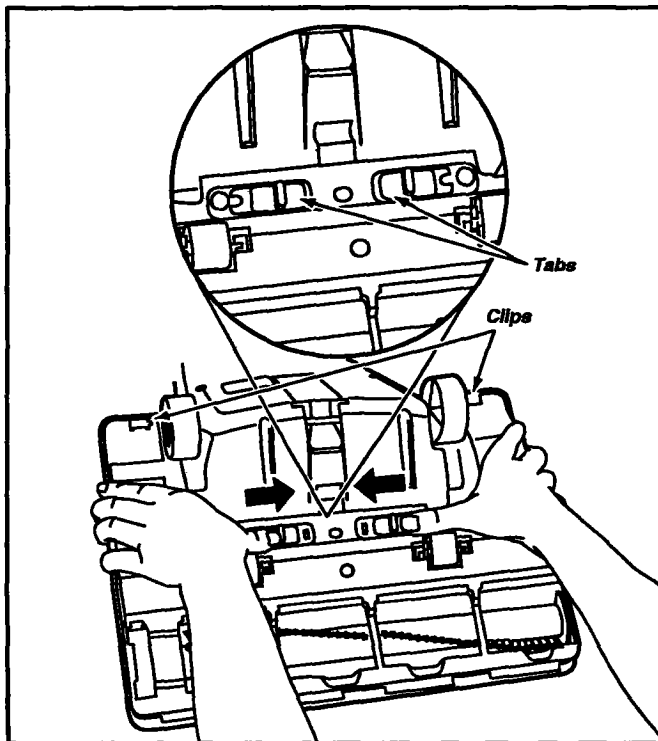
TO REMOVE LOWER PLATE:

Disconnect electrical supply.

The handle must be lowered and the cleaner turned over.

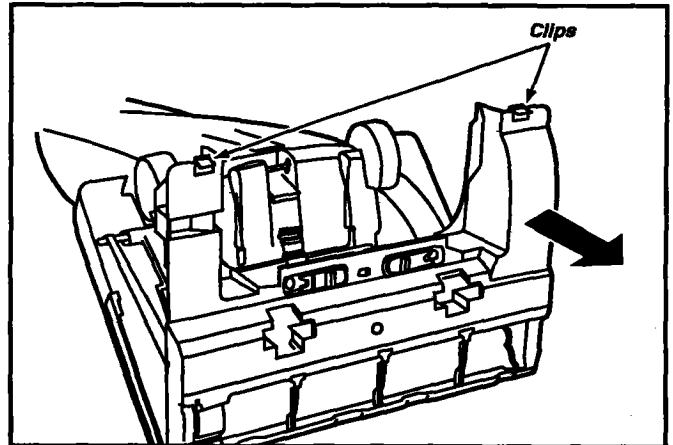
To protect the floor surface, always place paper under the nozzle any time the lower plate is removed.

Release the lower plate by pushing the tabs in toward the center.



Grasp the clips at the back and pull forward and up to remove the lower plate.

Brush or remove any residue that may exist in the belt area.

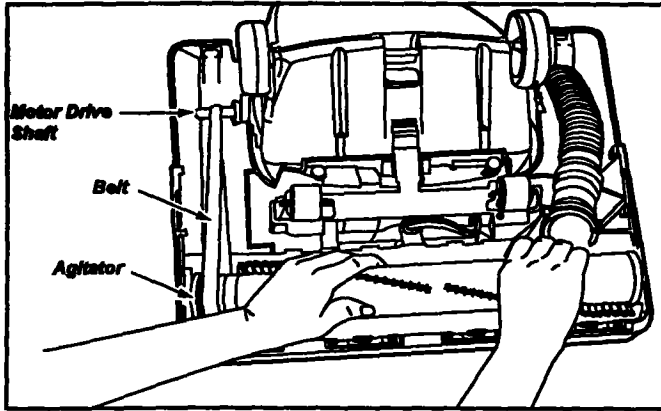


WARNING

Personal Injury Hazard

Always unplug the vacuum cleaner before cleaning the brush area as brush may suddenly restart. Failure to do so can result in personal injury.

TO REMOVE BELT/CLEAN BRUSH:



Carefully lift the right end of the agitator assembly and then lift the left end. Remove the brush assembly.

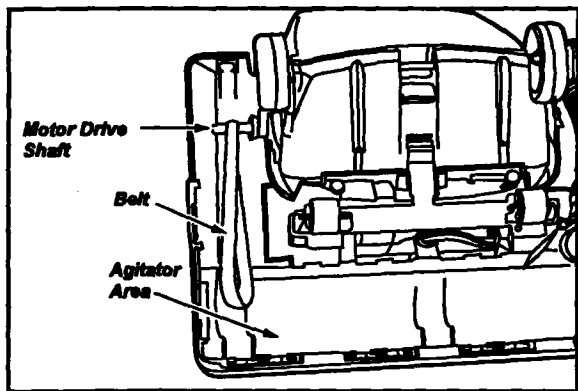
Remove the belt from the motor drive shaft.



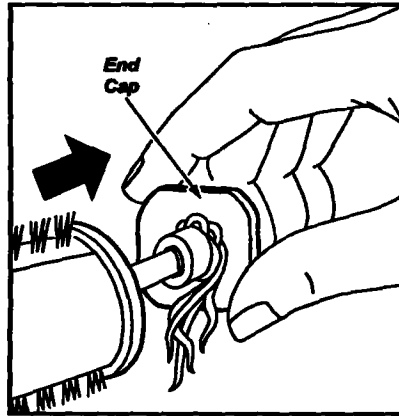
WARNING

Personal Injury Hazard
Be careful when removing brush assembly, the belt tension is high. Failure to do so could result in personal injury from brush assembly releasing quickly and snapping away.

Remove any dirt or debris in the belt path area or in the brush roller area.



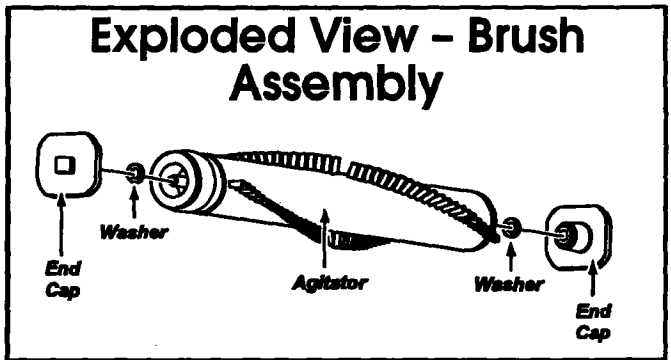
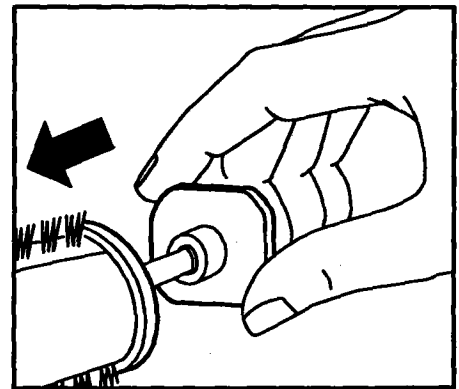
Carefully remove the brush supports and washers to check for string and hair build-up.



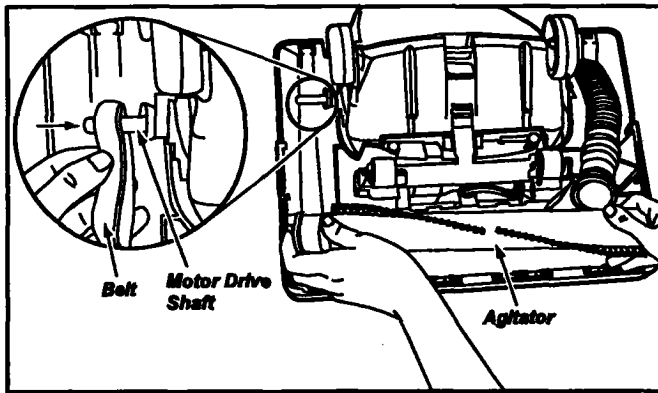
NOTE:
When you remove the brush supports, a small washer on each end may come off. **DO NOT** lose these two washers.

Remove any string or debris.

Replace the washers and brush supports. See exploded view for correct assembly.



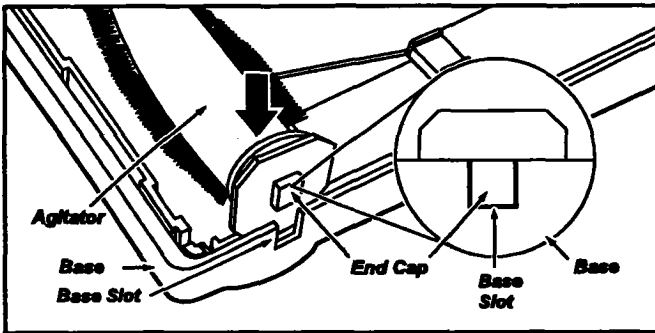
TO REPLACE BELT:



Loop the new belt on the motor drive shaft.

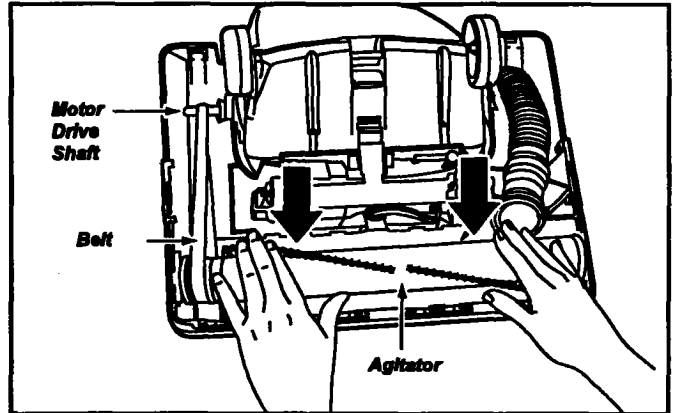
NOTE: See PARTS AND FEATURES for Belt #.

Loop the other end of the belt on the belt groove on the brush assembly.



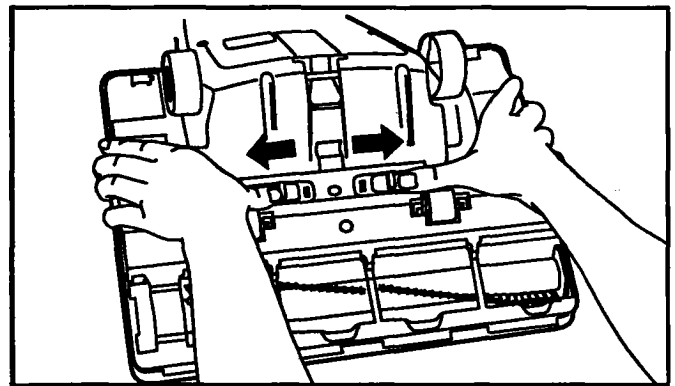
Align the square extension on each brush support with the slots in the frame of the base.

Press firmly, checking to see that each end is completely inserted.



Check to see that the belt is centered in the belt groove and that the brush assembly turns freely.

Reinstall the lower plate by placing the front tabs on the plate into the slots on the nozzle housing and pushing the plate to the rear until the back clips snap into place. Pull the tabs to the outside.



Return the cleaner to the upright position before plugging into the electrical outlet.

CLEANING EXTERIOR AND ATTACHMENTS

1. Unplug cord from wall outlet. **DO NOT drip water on cleaner.**
2. Clean exterior using a clean, soft cloth that has been dipped in a solution of mild liquid detergent and water, then wrung dry. Wipe dry after cleaning.
3. To reduce static electricity and dust build-up, wipe outer surface of cleaner and attachments.
4. Wash attachments in warm soapy water, rinse and air dry. **DO NOT clean in dishwasher.**

DO NOT USE ATTACHMENTS IF THEY ARE WET.



CAUTION

Attachments used in dirty areas, such as under a refrigerator, should not be used on other surfaces until they are washed. They could leave marks.

LIGHT BULB CHANGING

SOME MODELS



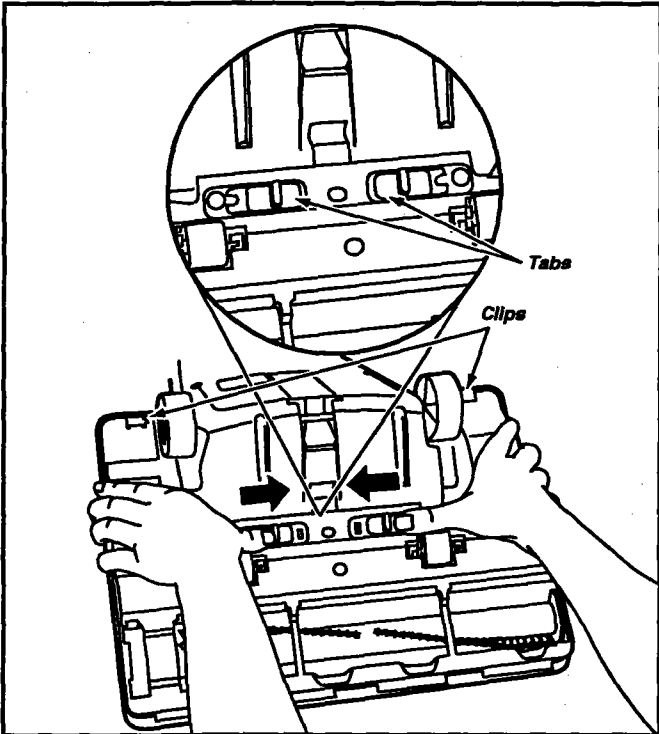
WARNING

Electrical Shock Or Personal Injury Hazard
Disconnect electrical supply before servicing or cleaning the unit. Failure to do so could result in electrical shock or personal injury from cleaner suddenly starting.

Disconnect electrical supply.

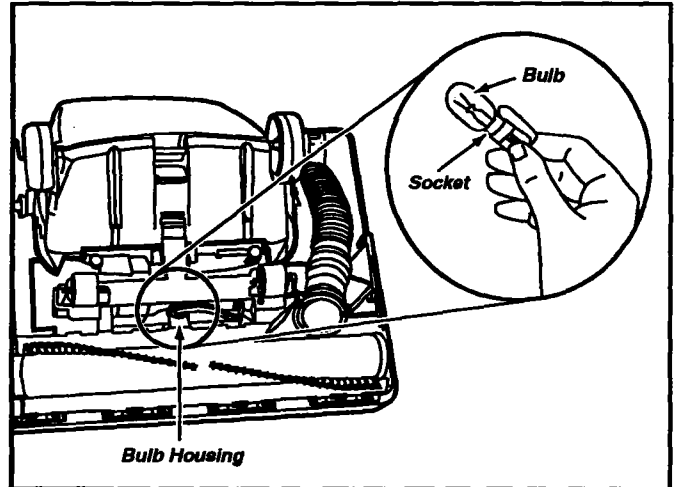
The handle must be pulled down and the cleaner turned over.

Release the lower plate by pushing the tabs in toward the center.



Grasp the clips at the back and pull forward and up to remove the lower plate.

With the lower plate off the bulb housing can be pulled off the flange it is mounted to by wiggling the socket back and forth.



With the bulb housing loose the bulb can be removed by pushing in and twisting it counterclockwise. The new bulb can be placed in the socket. Line up the post on the bulb with the slots in the socket and while pushing the bulb into the socket, twist the bulb clockwise.

NOTE: See PARTS AND FEATURES for Bulb #.



CAUTION

Replace the light bulb with the same or smaller wattage size to prevent damage to surrounding parts.



CAUTION

Do not plug in or turn on until completely reassembled.

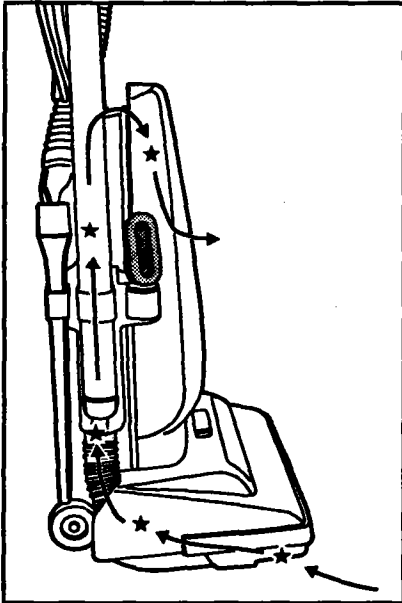
Reinsert the bulb housing onto the flange by pushing down.

Reinstall the lower plate by placing the front tabs on the plate into the slots on the nozzle housing and pushing the plate to the rear until the back clips snap into place. Push the tabs to the outside.

CLOG REMOVAL

WARNING

Electrical Shock Or Personal Injury Hazard
Disconnect electrical supply before servicing or cleaning the unit. Failure to do so could result in electrical shock or personal injury from cleaner suddenly starting.



For best cleaning results, keep the airflow passage clear.

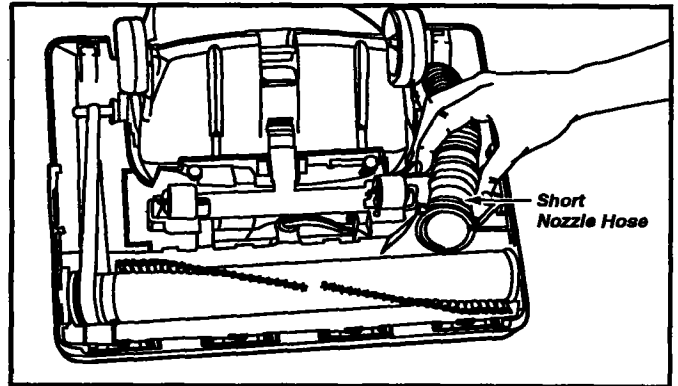
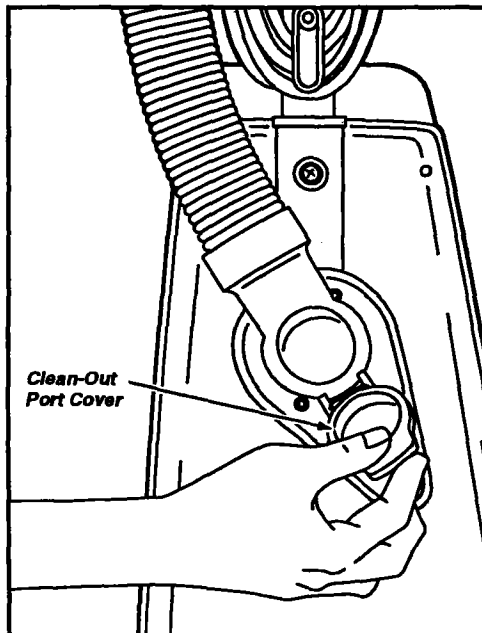
Unplug the power cord from the outlet before checking the airflow passage.

Check each starred area occasionally for clogs.

Disconnect the wand from the nozzle hose and check the wand for clogging.

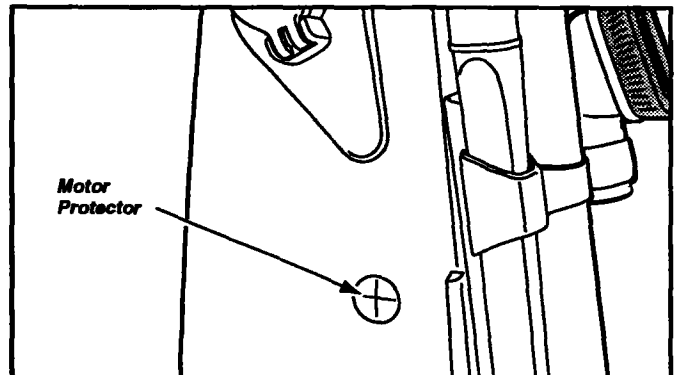
While running the vacuum cleaner with the wand disconnected, stretch the hose in and out to remove the clog.

Pull down on the clean-out port cover and check for clogging in this area.



If the clog still exists turn the vacuum OFF and unplug the power cord. Turn the vacuum cleaner over, exposing the underside. Remove the lower plate. Remove the short nozzle hose from the housing by lifting it straight up. Inspect the hose end and clear it of any obstructions. Reinstall the short nozzle hose and lower plate.

MOTOR PROTECTOR




MOTOR PROTECTOR

This vacuum has a motor protector by-pass valve which automatically opens to provide cooling air to the motor when a clog prevents the normal flow of air to the motor. If the by-pass valve opens to prevent motor overheating and possible damage to the vacuum, a change of sound will be noticed as air rushes through the valve opening. If this occurs, turn the vacuum off and unplug the power cord from the outlet. Then check for clogs as described in the CLOG REMOVAL section.

The motor protector by-pass valve may open when using attachments or when cleaning new carpet, due to reduced air flow by the attachments themselves or by new carpet fuzz filling the bag quickly.

TROUBLESHOOTING

Review this chart to find do-it-yourself solutions for minor performance problems.



WARNING

Electrical Shock Or Personal Injury Hazard

Disconnect electrical supply before servicing or cleaning the unit. Failure to do so could result in electrical shock or personal injury from cleaner suddenly starting.

PROBLEM	POSSIBLE CAUSE	POSSIBLE SOLUTION
Cleaner won't run.	<ol style="list-style-type: none"> 1. Unplugged at wall outlet. 2. Tripped circuit breaker/blown fuse at household service panel. 3. On/Off switch not turned ON. 	<ol style="list-style-type: none"> 1. Plug in firmly, push On/Off switch to ON. 2. Reset circuit breaker or replace fuse. 3. Push On/Off switch to ON.
Poor job of dirt pick-up.	<ol style="list-style-type: none"> 1. Full or clogged dust bag. 2. Wrong pile height setting. 3. Worn brush. 4. Clogged nozzle hose. 5. Clogged hose or wand. 6. Hole in hose. 7. Broken belt. 8. Hose or wand not inserted fully. 9. Crevice tool left on wand. 	<ol style="list-style-type: none"> 1. Change bag, (pages 11, 12). 2. Adjust setting, (page 8). 3. Replace brush, (pages 13-15). 4. Clean nozzle hose, (page 17). 5. Clean hose, (page 17). 6. Replace hose. 7. Replace belt, (pages 13-15). 8. Insert hose or wand, (page 7). 9. Remove wand and properly store, (page 7).
Light won't work.	<ol style="list-style-type: none"> 1. Burned out light bulb. 	<ol style="list-style-type: none"> 1. Change light bulb, (page 16).
Dust escapes the paper bag.	<ol style="list-style-type: none"> 1. Check for proper installation of bag. 2. Bag torn. 3. Bag cover improperly installed. 	<ol style="list-style-type: none"> 1. Check instructions, (pages 11, 12). 2. Replace bag, (pages 11, 12). 3. Check instructions, (pages 11, 12).
Air flow restricted with attachment use. Sound changes.	<ol style="list-style-type: none"> 1. Attachment use restricts air flow. 2. New carpet fuzz clogged air path. 	<ol style="list-style-type: none"> 1. Check use instructions, (page 9). 2. Check instructions and clean hose, (page 17).



SEARS

Aspiradora



MANUAL DEL PROPIETARIO

LEA ESTE MANUAL para enterarse de instrucciones importantes acerca de la seguridad, armado y funcionamiento.

CØ1ZAMJØØUØØ-437Ø355

TABLA DE CONTENIDO

GARANTÍA	3	Almacenamiento de la aspiradora	10
SERVICIO	3	CUIDADO DE LA ASPIRADORA	10
INSTRUCCIONES IMPORTANTES DE SEGURIDAD	4	Cambio de la bolsa	11-12
PIEZAS Y CARACTERÍSTICAS	5	Limpieza del filtro de seguridad del motor	12
ARMADO	6-7	Cambio de la correa, cambio del cepillo y limpieza del cepillo	13-15
COLOCACIÓN DE LOS ACCESORIOS	7	Limpieza del exterior y de los accesorios	15
USO	8	Cambio de la bombilla	16
Para comenzar	8	Cómo eliminar los residuos de basura en los conductos	17
Cómo seleccionar la altura adecuada para aspirar	8	Protector de motor	17
Accesorios	9	RECONOCIMIENTO DE PROBLEMAS	18
Cuadro de uso de los accesorios	9		

El armado y uso seguro de su aspiradora son su responsabilidad. Esta aspiradora ha sido diseñada exclusivamente para uso doméstico. La aspiradora deberá almacenarse en un lugar seco y en el interior. Lea este Manual del propietario detenidamente, pues contiene información importante sobre seguridad y uso.

GARANTÍA

ASPIRADORA KENMORE GARANTÍA COMPLETA POR UN AÑO

Mientras su uso se limite a fines domésticos particulares, si esta aspiradora falla dentro de un período de un año a partir de la fecha de compra, por razones de defectos en materiales o mano de obra, DEVUÉLVALA AL CENTRO O DEPARTAMENTO DE SERVICIO DE SEARS MÁS CERCANO y Sears la reparará sin ningún cargo.

Esta garantía le confiere derechos legales específicos y además puede que tenga otros derechos que difieren entre estados.

SEARS, ROEBUCK AND CO., D/817 WA,
Hoffman Estates, IL 60179

SERVICIO

Si necesita servicio o piezas, visite el Centro de servicio de Sears más cercano o el Departamento de servicio ubicado en la mayoría de las tiendas Sears. Dicho departamento solucionará su problema y le facilitará cualquier repuesto necesario. Cualquier servicio requerido además de los que se describen en este Manual del propietario deberá ser realizado por un representante de servicio autorizado por Sears.

Cómo pedir repuestos:

Cuando solicite servicio o pida repuestos, tenga disponible la siguiente información:

1. Número de modelo.
2. Número de serie.
3. Descripción del problema.
4. Número de la pieza.
5. Nombre de la pieza.

Para hablar en inglés:

Llame gratis para solicitar servicio al: (1-800-4-REPAIR)
(1-800-473-7247)

Llame gratis para solicitar piezas al: (1-800-FON-PART)
(1-800-366-7278)

Para hablar en español:

Llame gratis para solicitar servicio al: (1-800-626-5811)
Llame gratis para solicitar piezas al: (1-800-659-7084)

INSTRUCCIONES IMPORTANTES DE SEGURIDAD



ADVERTENCIA

Para reducir el riesgo de incendio, choque eléctrico, lesión corporal o daños al utilizar su aspiradora, actúe de acuerdo con precauciones básicas de seguridad, entre ellas:

Lea este manual antes de armar o utilizar su aspiradora.

Use su aspiradora únicamente en la forma descrita en este manual. Use únicamente con accesorios recomendados por Sears.

Para reducir el riesgo de choque eléctrico, **no use** su aspiradora al aire libre ni sobre superficies mojadas.

Desconecte el cordón eléctrico antes de componer o limpiar el área del cepillo. De lo contrario, el cepillo podría arrancar de forma imprevista o podría producirse un choque eléctrico.

Siempre debe apagar su aspiradora antes de desconectarla.

No desconecte la aspiradora tirando del cordón eléctrico. Para desconectarla, hale el enchufe, no el cordón.

No use la aspiradora si el cordón o el enchufe está dañado. Si la aspiradora no está funcionando adecuadamente o si se ha dejado caer, está dañada, se ha dejado expuesta a la intemperie o se ha dejado caer en agua, devuélvala a un Centro/Departamento de servicio de Sears.

No hale ni transporte la aspiradora por el cordón; no use el cordón como mango; no cierre puertas sobre el cordón; no hale el cordón sobre rebordes agudos ni esquinas. No pase la aspiradora sobre el cordón. Mantenga el cordón alejado de superficies calientes.

No abandone la aspiradora cuando esté conectada. Desconéctela cuando no la esté usando y antes de darle servicio.

No permita que sea utilizada como juguete. Se requiere tener mayor cuidado cuando sea utilizada en la proximidad de niños o por niños.

No toque la aspiradora ni el enchufe con las manos mojadas.

No coloque objetos en las aberturas.

No utilice la aspiradora si alguna abertura está bloqueada; manténgala libre de polvo, pelusa, cabellos y cualquiera cosa que podría disminuir el flujo de aire.

Mantenga el cabello, ropa suelta, dedos y todas las partes del cuerpo alejados de las aberturas y piezas mecánicas.

No use la aspiradora sin tener instalada la bolsa para polvo y/o los filtros. Cambie siempre la bolsa para polvo después de aspirar limpiadores de alfombras o desodorantes, talcos y polvos finos. Estos productos atascan la bolsa, reducen el flujo de aire y pueden causar que ésta se rompa. Si no cambia la bolsa podría ocasionar daño permanente a la aspiradora.

No use la aspiradora para levantar objetos agudos, juguetes pequeños, alfileres, papel, etc. Podrían dañar la aspiradora o la bolsa para polvo.

No levante ninguna cosa que se esté quemando o emitiendo humo, como cigarrillos, cerillos o cenizas calientes.

No use la aspiradora para aspirar líquidos inflamables o combustibles (gasolina, líquidos para limpieza, perfumes, etc.) ni la use en lugares donde éstos podrían estar presentes. Los vapores de estas sustancias pueden crear un peligro de incendio o explosión.

Tenga cuidado especial al utilizar la aspiradora en escalones. No la coloque sobre sillas, mesas, etc. Manténgala en el piso.

Usted es responsable de asegurar que su aspiradora no sea utilizada por ninguna persona que no pueda manejarla correctamente.

GUARDE ESTAS INSTRUCCION

El armado y uso seguro de su aspiradora son su responsabilidad. Esta aspiradora ha sido diseñada exclusivamente para uso doméstico. La aspiradora deberá almacenarse en un lugar seco y en el interior. Lea este Manual del propietario detenidamente, pues contiene información importante sobre seguridad y uso.

PIEZAS Y CARACTERÍSTICAS

ASPIRADORA VERTICAL

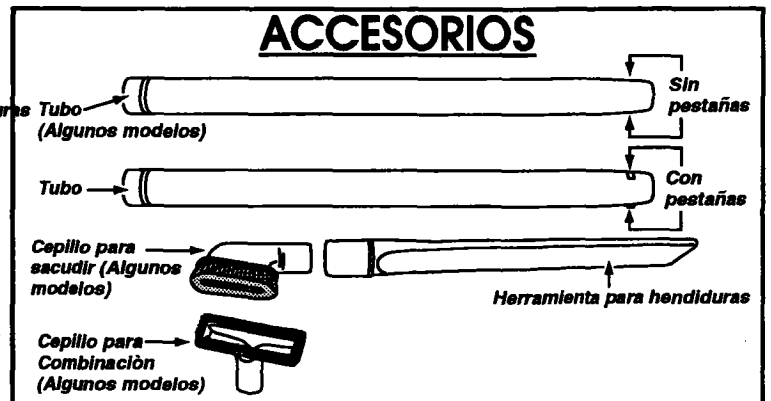
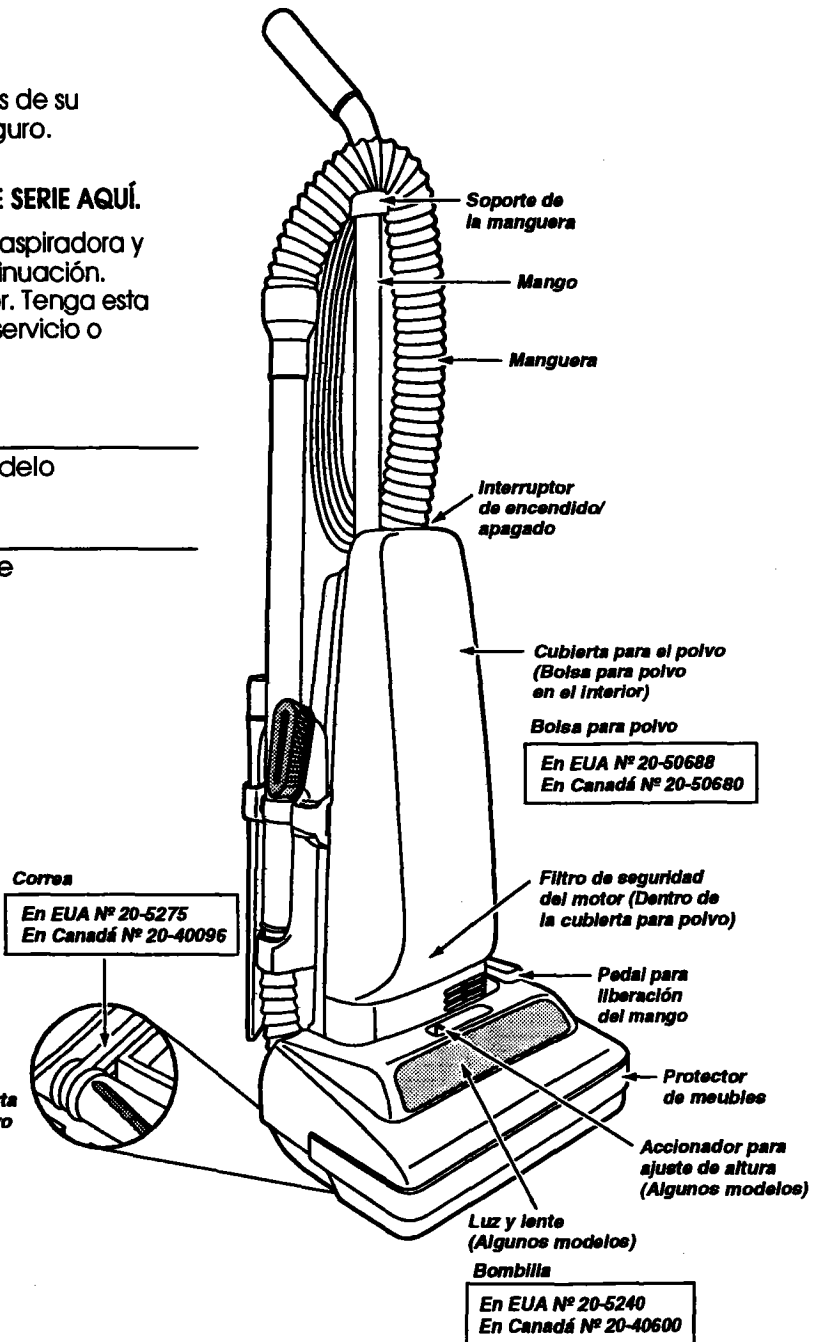
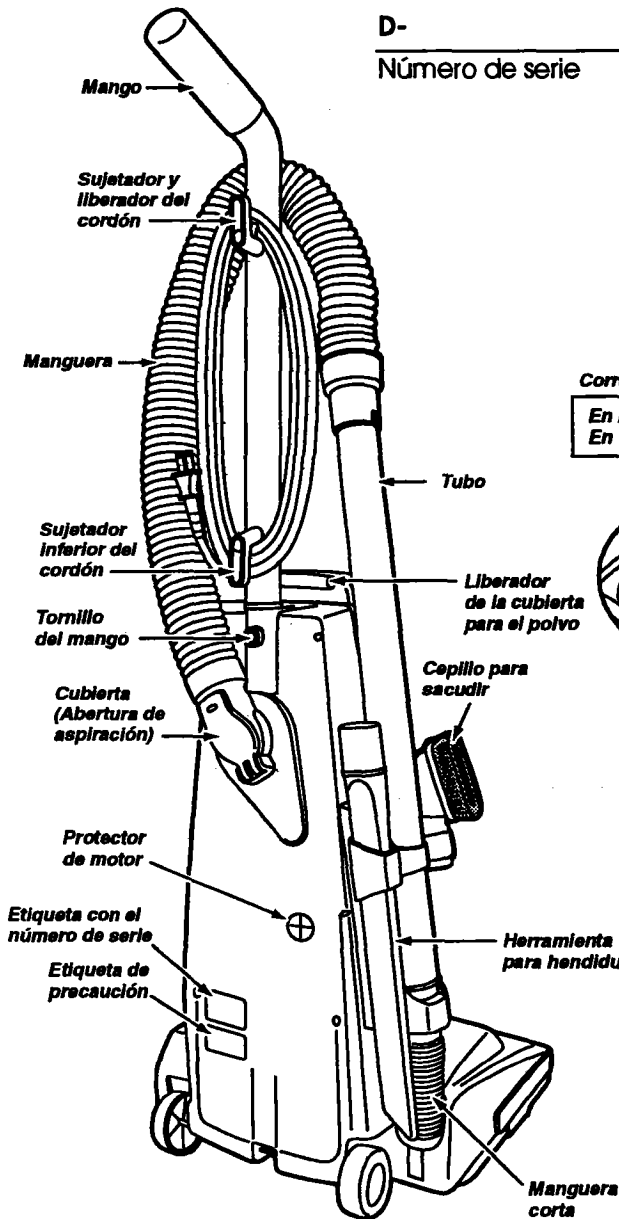
Es importante conocer las piezas y características de su aspiradora para asegurar su uso adecuado y seguro. Examinelas antes de usar su aspiradora.

ESCRIBA EL NÚMERO DE MODELO Y EL NÚMERO DE SERIE AQUÍ.

Copie esta información de la parte inferior de la aspiradora y escríbala en los espacios proporcionados a continuación. Conserve estos números para referencia posterior. Tenga esta información disponible si su aspiradora necesita servicio o desea llamar con alguna pregunta:

116. _____
 Número de modelo

D- _____
 Número de serie



ARMADO

MONTAJE DEL MANGO

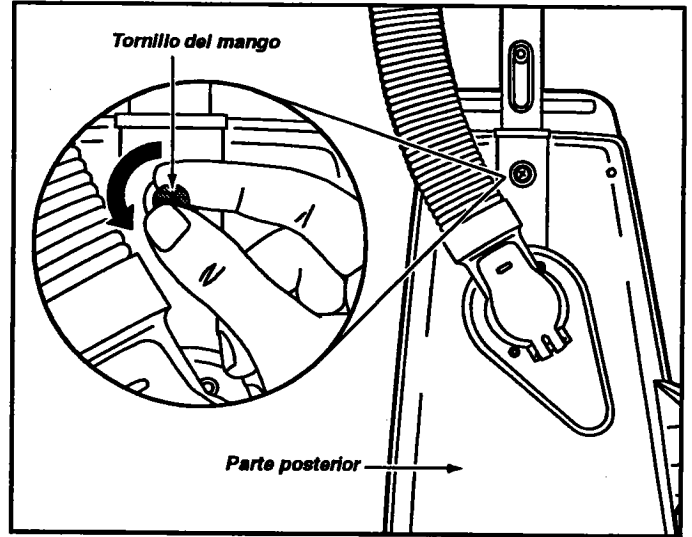
Antes de armar su aspiradora, asegúrese de tener todas las piezas que se muestran en la PIEZAS Y CARACTERÍSTICAS.



ADVERTENCIA

Peligro de choque eléctrico

No conecte la aspiradora hasta que termine de armarla. De lo contrario podría causar un choque eléctrico o lesión corporal.



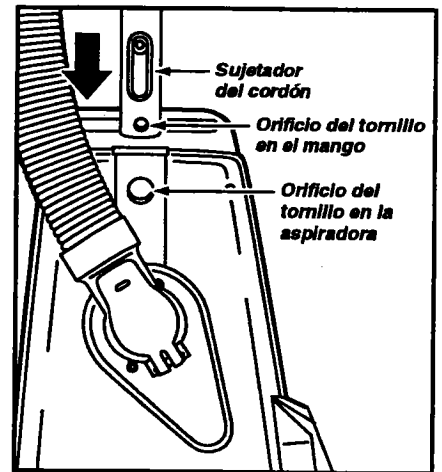
Quite el tornillo del mango localizado justo debajo del borde superior de la parte posterior de la aspiradora (ver ilustración de arriba).

Coloque el mango de manera que los sujetadores del cordón apunten hacia la parte posterior de la aspiradora.

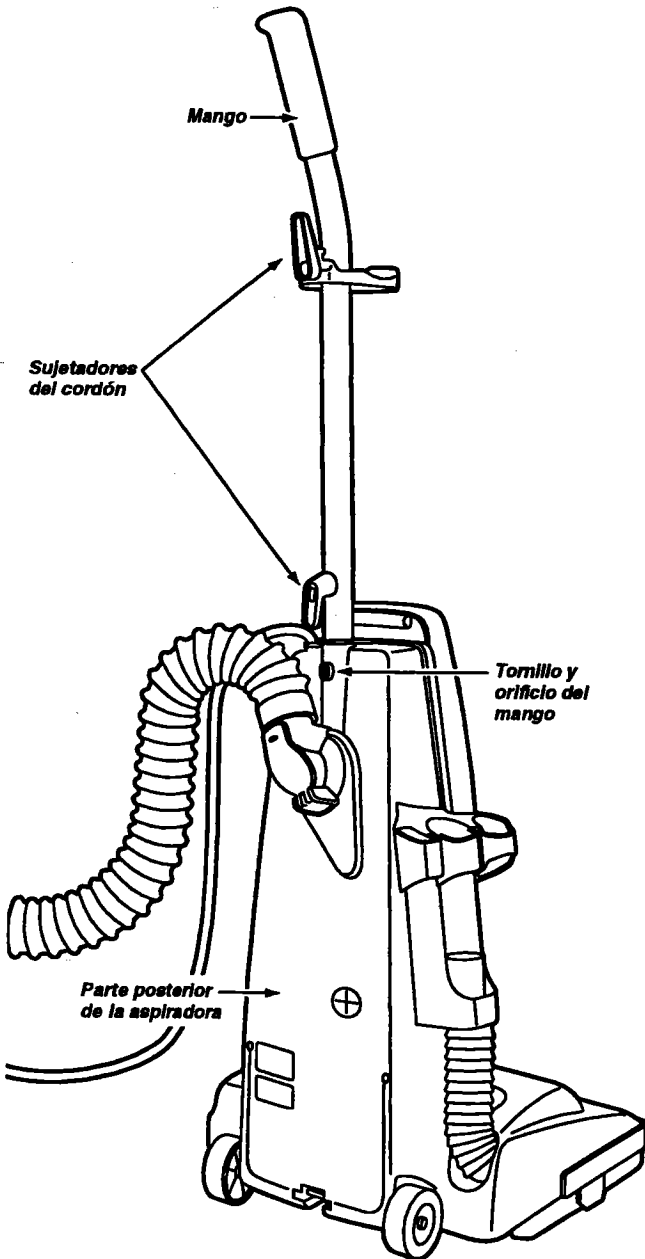
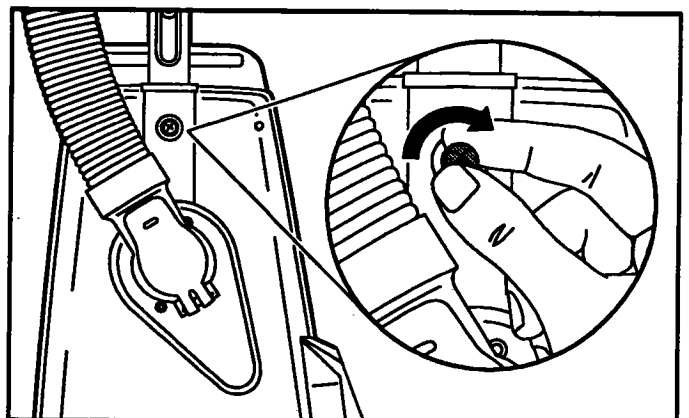
Inserte el mango en la abertura de la parte superior de la aspiradora.

Alinee el orificio del mango con el orificio de la parte posterior de la aspiradora.

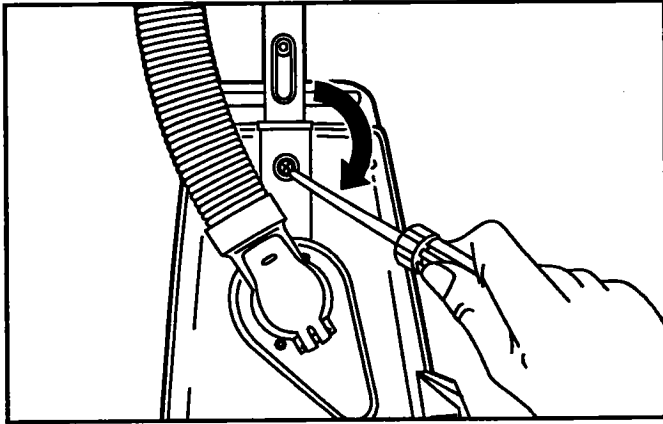
Inserte el tornillo en el mango después de haber atravesado la parte posterior de la aspiradora.



Empiece a apretar el tornillo con los dedos. Quizá sea necesario ajustar un poco el mango.



Apriete el tornillo con un desarmador.

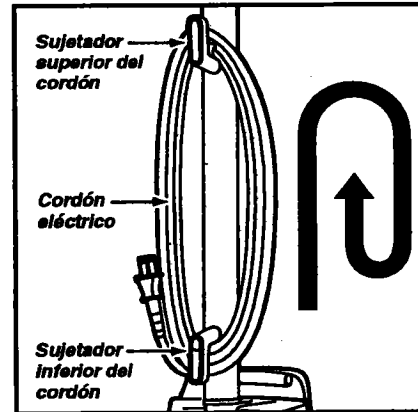
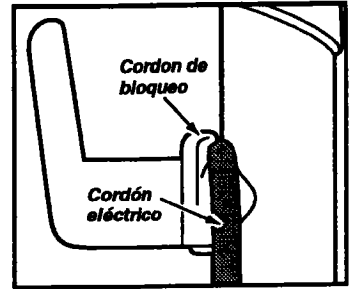


CUIDADO

NO apriete el tornillo demasiado; si lo hace podría estropear los orificios de los tornillos.
NO haga funcionar la aspiradora sin que el tornillo esté en su lugar.

COLOCACIÓN DEL CORDÓN

Asegúrese de que el sujetador superior del cordón de liberación rápida se encuentre en posición vertical. Fuércele a que entre en la hendidura localizada en el cuerpo del sujetador para fijarlo, tal como se muestra.



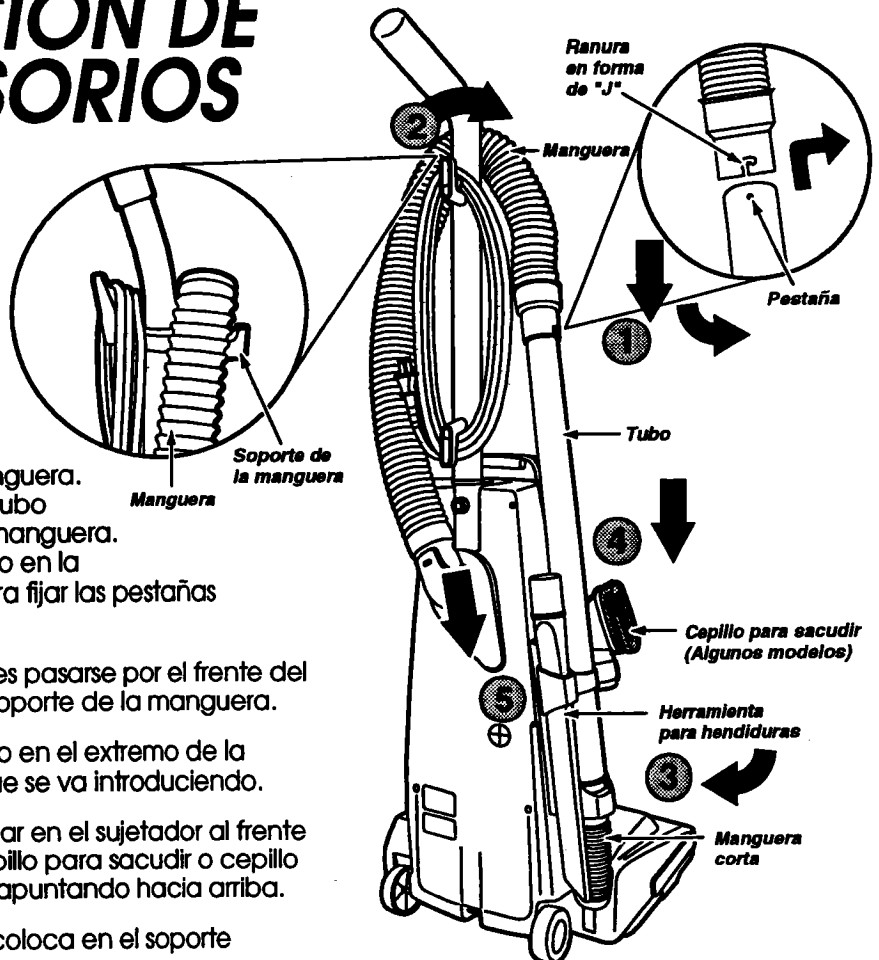
Quite el alambre con el que está atado el cordón eléctrico. Enrolle el cordón en los sujetadores superior e inferior.

COLOCACIÓN DE LOS ACCESORIOS

PARA COLOCAR LOS ACCESORIOS

Una vez que se haya colocado el mango a la unidad y el cordón eléctrico haya sido enrollado en los sujetadores, se podrá proceder a colocar las piezas.

1. El tubo se puede unir a la manguera introduciendo el extremo pequeño del mismo en el extremo abierto de la manguera. Asegúrese de alinear las pestañas del tubo con los ranuras en forma de "J" de la manguera. Una vez que el tubo haya sido insertado en la manguera, gírelo hacia la derecha para fijar las pestañas en las ranuras en forma de "J".
2. El tubo y la manguera pueden entonces pasarse por el frente del mango para que descansen sobre el soporte de la manguera.
3. A continuación, se puede meter el tubo en el extremo de la manguera corta, girando a medida que se va introduciendo.
4. La boquilla para polvo se puede colocar en el sujetador al frente del tubo (algunos modelos), con el cepillo para sacudir o cepillo para combinación (algunos modelos) apuntando hacia arriba.
5. La boquilla para huecos reducidos se coloca en el soporte correspondiente junto al tubo.



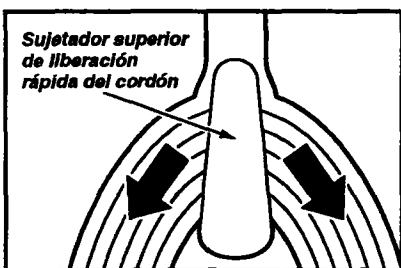
USO

PARA COMENZAR

! ADVERTENCIA

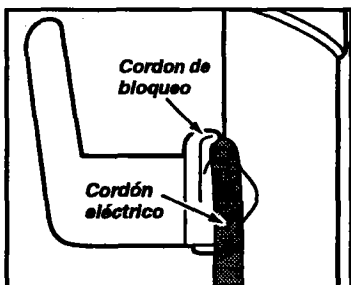
Peligro de lesión personal y daño al producto

- **NO use los enchufes localizados sobre los muebles. Los objetos cercanos podrían resultar dañados.**
- **Tenga cuidado al enchufar la aspiradora. La aspiradora deberá estar apagada (OFF).**



1. Gire hacia abajo el sujetador del cordón superior.
2. Tire del cordón para sacarlo del sujetador.

3. Una vez que haya liberado el cordón, fuérzelo a que entre en la hendidura localizada en el cuerpo del sujetador para fijarlo, tal como se muestra.



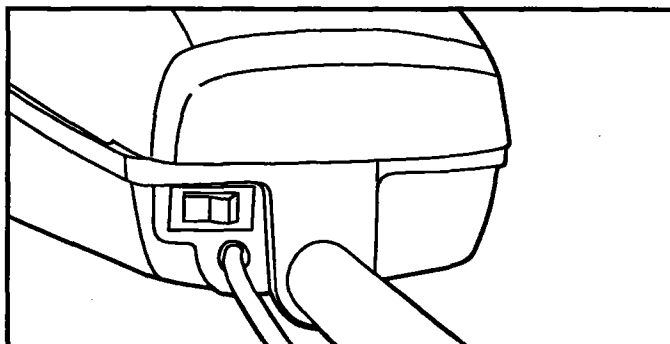
4. Conecte el cordón eléctrico polarizado en un enchufe de 120 voltios que se encuentre cerca del piso.

NOTA: Para reducir el riesgo de choque eléctrico, esta aspiradora cuenta con una clavija polarizada, uno de los contactos es más ancho que el otro. La clavija sólo puede introducirse de una manera en el enchufe. Si la clavija no cabe bien en el enchufe, invírtala. Si aún no cabe, llame a un electricista para que instale un enchufe correcto. No altere la clavija de ninguna manera.



5. Pise el pedal de la parte posterior izquierda de su aspiradora y tire del mango hasta que se libere de su posición vertical.

6. Oprima con la mano izquierda el botón de encendido/apagado (On/Off) hacia la derecha. La aspiradora comenzará a funcionar.



Para apagar la aspiradora OFF oprima el botón hacia la izquierda. Levante el mango hasta que el mecanismo de soporte lo sostenga en posición vertical.

CÓMO SELECCIONAR LA ALTURA ADECUADA PARA ASPIRAR

Esta aspiradora tiene dos posiciones para ajustar la altura de la boquilla y adaptarla a las diversas superficies que desee aspirar.

El accionador para el ajuste de la altura se encuentra en la boquilla arriba del lente de la luz. Las graduaciones son: HIGH y LOW.



Para ajustar la altura, mueva el accionador a la posición deseada.

Ajuste la altura de su aspiradora de acuerdo al tipo de superficie que vaya a aspirar, usando la tabla continuación:

HIGH: pelo mediano o poco largo.

LOW: pelo corto o mediano.

Ponga la unidad en HIGH cuando utilice los accesorios para prevenir posibles daños al piso.

ACCESORIOS

CÓMO UTILIZAR LOS

ADVERTENCIA

Peligro de lesión personal.

No ponga las manos o los pies debajo de la máquina cuando añada la manguera. Mientras se usan los accesorios, la agitadora empieza a girar. No deje que la aspiradora se quede en un sólo lugar por un periodo extendido, porque la agitadora puede hacer daño a la superficie del suelo. No ponga la aspiradora encima de muebles, en el fleco de la alfombra, en una alfombra de pelo largo, ni en escaleras alfombradas. La posición ideal para la aspiradora cuando se usan los accesorios está en un área plana con el mango en la posición vertical.

ACCESORIOS

Coloque la aspiradora en una superficie plana y ponga el graduador de altura en HIGH.

Los accesorios podrán colocarse en la manguera o en el tubo. Además, el cepillo para polvo también podrá colocarse en la boquilla para huecos reducidos.

La manguera y el tubo pueden sacarse de la manguera corta tomándolos por el extremo y tirando hacia arriba.

ADVERTENCIA

No tire de la aspiradora por la manguera en la habitación. Podrían ocurrir daños a sus pertenencias.

Los accesorios se pueden conectar a la manguera si el objeto que se desea limpiar no está lejos de la aspiradora. La manguera se expandirá.

NOTA: Cuando la aspiradora esté prendida, la manguera tenderá a caerse debido a la succión de la aspiradora.

Si desea más extensión, puede conectar el tubo a la manguera y los accesorios al tubo.

ADVERTENCIA

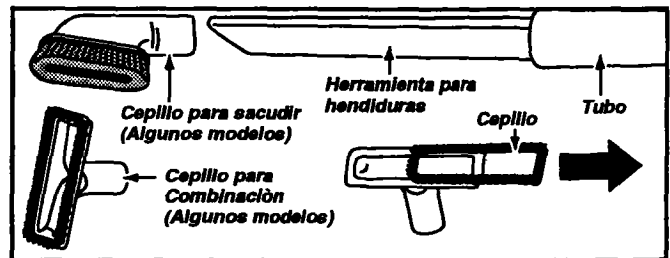
CUIDADO

Al utilizar los accesorios para limpiar, tenga cuidado de no sobrepasar el alcance de la manguera. Si lo hace, podría ocasionar que la aspiradora se caiga.

EN ALGUNOS MODELOS:

Se incluye un tubo extra, sin pestañas, para un mayor alcance. El tubo extra se puede conectar al tubo con pestañas para lograr un mayor alcance. Introduzca el tubo y déle un cuarto de vuelta para asegurarlo.

Si utiliza el cepillo para polvo y necesita más alcance, puede conectar la boquilla para huecos reducidos al tubo y el cepillo para polvo en la boquilla para huecos reducidos.



ALMACENAJE DE LOS ACCESORIOS

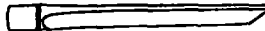


Vuelva a poner la manguera y el tubo en su posición en la manguera corta y los accesorios en sus sujetadores.

ADVERTENCIA

CUIDADO

Asegúrese de limpiar los accesorios después de utilizarlos en áreas sucias (debajo del refrigerador) antes de usarlos en otras superficies, ya que podrían dejar marcas.

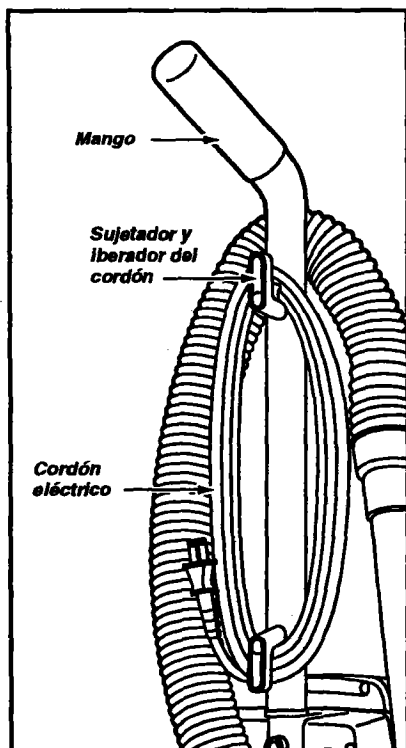
CUADRO DE USO DE LOS ACCESORIOS

ACCESORIO	Muebles*	Entre cojines*	Cortinas*	Escalones	Paredes
Herramienta para hendiduras 	X	X	X	X	X
Cepillo para sacudir 	X		X	X	X
Cepillo para combinación 	X		X	X	

*La válvula de desviación puede estar abierta mientras se usan los accesorios o para limpiar una alfombra nueva a causa de un flujo reducido de aire por los accesorios mismos o por la pelusa de la alfombra que llene la bolsa rápidamente.

*Siempre limpie los accesorios antes de usar sobre telas.

ALMACENAMIENTO DE LA ASPIRADORA



Recoja el cordón y enróllelo en los sujetadores superior e inferior, sin que quede muy apretado.

Guarde la aspiradora bajo techo en un lugar seco, con el mango en posición vertical.

ADVERTENCIA

Peligro de descargas eléctricas y de lesiones personales.

Si enrolla el cordón muy apretado puede tensarlo mucho y causarle daños. De dañarse, el cordón podría causar descargas eléctricas y lesiones o daños personales.

CUIDADO DE LA ASPIRADORA

SIGA SIEMPRE TODAS LAS INSTRUCCIONES DE SEGURIDAD AL LIMPIAR Y DARLE SERVICIO A SU ASPIRADORA.

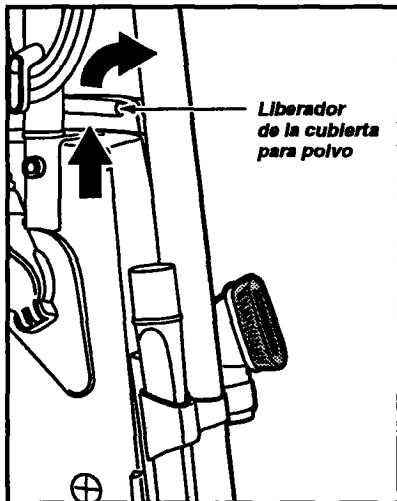
ADVERTENCIA

Peligro de descargas eléctricas y de lesiones personales.

Desenchufe la unidad antes de darle servicio o de limpiarla. Si no lo hace, la aspiradora podría prenderse repentinamente y causar descargas eléctricas o lesiones personales.

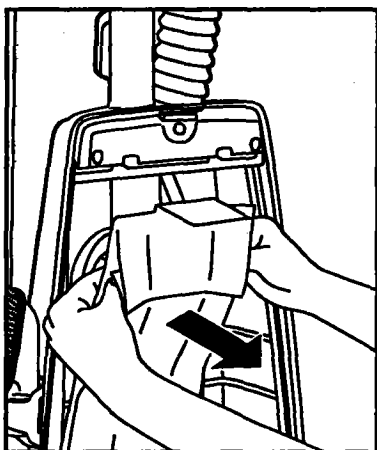
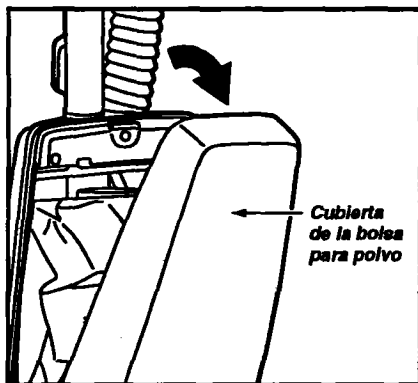
CAMBIO DE LA BOLSA

PARA QUITAR LA BOLSA:



Desconecte el cordón eléctrico. Apriete el liberador de la cubierta para polvo y tire hacia adelante de la parte superior de la cubierta para quitarla.

Ponga la cubierta a un lado.



Tome la bolsa para polvo por el collar y quítela con cuidado. Tire la bolsa usada a la basura. **NO** la vuelva a usar.

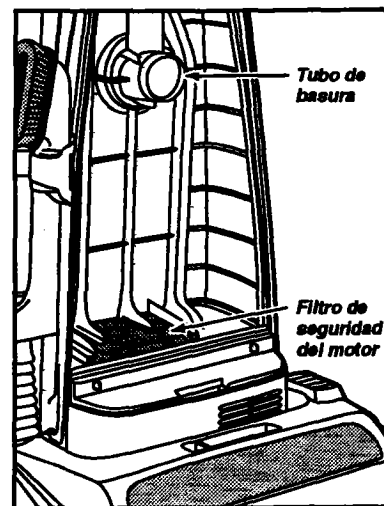


CUIDADO

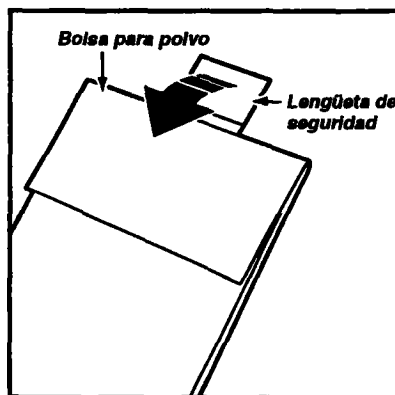
NUNCA REUTILICE UNA BOLSA PARA POLVO. Los materiales muy finos, tales como desodorantes para alfombras, talco facial, polvo fino, yeso, hollín, pelusa de alfombras nuevas, etc., pueden atascar la bolsa y causar que se rompa antes de que esté llena. Cambie la bolsa más seguido cuando aspire este tipo de materiales.

Revise el tubo de basura y el filtro de seguridad del motor.

Si estuvieran bloqueados, consulte la tabla de RECONOCIMIENTO DE PROBLEMAS.



PARA CAMBIAR LA BOLSA:

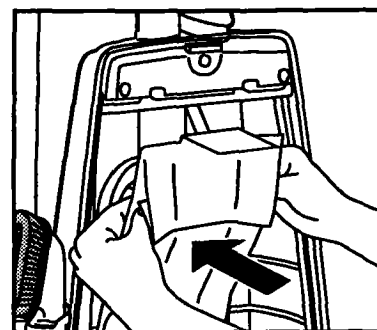


Doble la lengüeta de seguridad de la nueva bolsa para polvo en dirección contraria a la abertura que va en el tubo de basura.

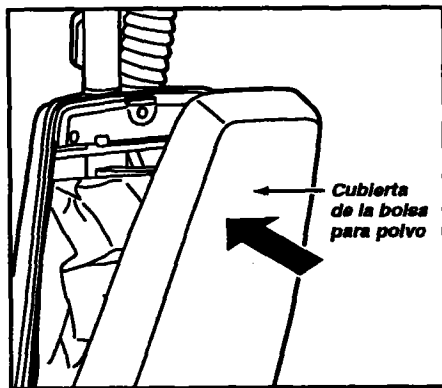
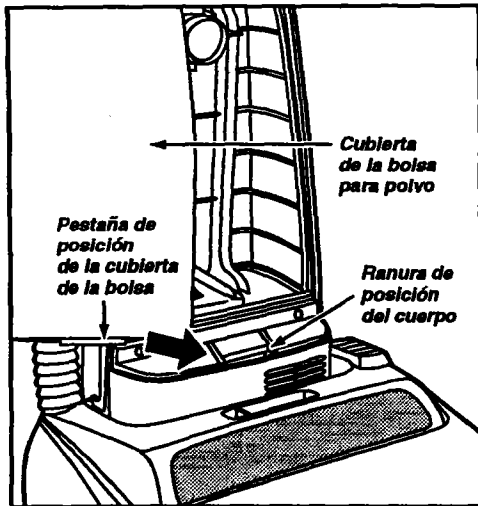
NOTA: Consulte la PIEZAS Y CARACTERÍSTICAS para determinar el N°. de la bolsa para polvo.

Desdoble la nueva bolsa para polvo.

Instale la bolsa para polvo completamente sobre el tubo para basura sujetando el collar de la bolsa y empujándolo sobre el tubo para basura.



Coloque la cubierta de la bolsa para polvo de manera que la pestaña entre en la ranura de posición del cuerpo.



Cierre la cubierta de la bolsa.

Al escuchar un chasquido característico será indicación de que la cubierta ha cerrado bien.

== LIMPIEZA DEL FILTRO DE SEGURIDAD DEL MOTOR

Revise con frecuencia el filtro del motor y límpielo cuando esté sucio.



ADVERTENCIA

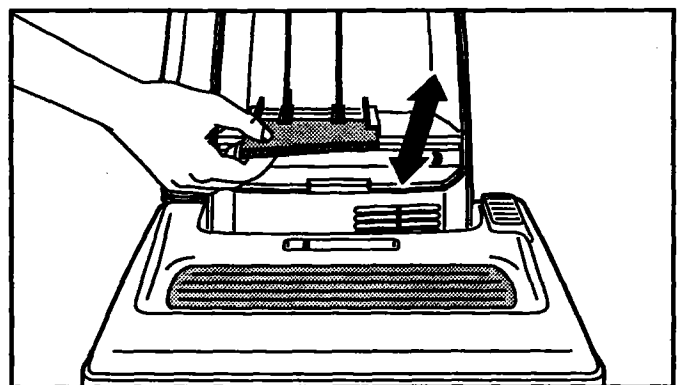
Peligro de choque eléctrico

No opere la aspiradora sin el filtro de seguridad del motor. Asegúrese de que el filtro esté seco e instalado adecuadamente para impedir que el motor falle y/o que se produzca un choque eléctrico.

Apriete el pestillo tire hacia adelante de la parte superior de la cubierta para polvo para quitarla. Saque la bolsa para polvo.



Si el filtro, localizado al fondo de la cavidad de la cubierta para polvo, está sucio, sáquelo tirando de él hacia adelante por debajo de las estrías.



Lave el filtro espumoso con agua caliente y jabón, enjuáguelo y séquelo bien apretándolo con la mano y dejando que se seque al aire libre.

NO lo lave en la lavadora de platos.

NO lo instale húmedo.

Vuelva a colocar el filtro deslizándolo de nuevo en su lugar debajo de las estrías en la cavidad de la cubierta para polvo.

CAMBIO DE LA CORREA, CAMBIO DEL CEPILLO Y LIMPIEZA DEL CEPILLO

! **ADVERTENCIA**

Peligro de choque eléctrico o lesión corporal
Desconecte la unidad antes de limpiarla o darle servicio. De lo contrario, podría producirse un choque eléctrico o causar lesión corporal si la aspiradora arranca de manera imprevista.

Frecuentemente revise el área del cepillo y quite todo pelo, cordón o pelusa que se haya acumulado. Si la acumulación es excesiva, siga las instrucciones a continuación. Si la correa se aflojara o rompiera, siga las instrucciones para quitar la correa.

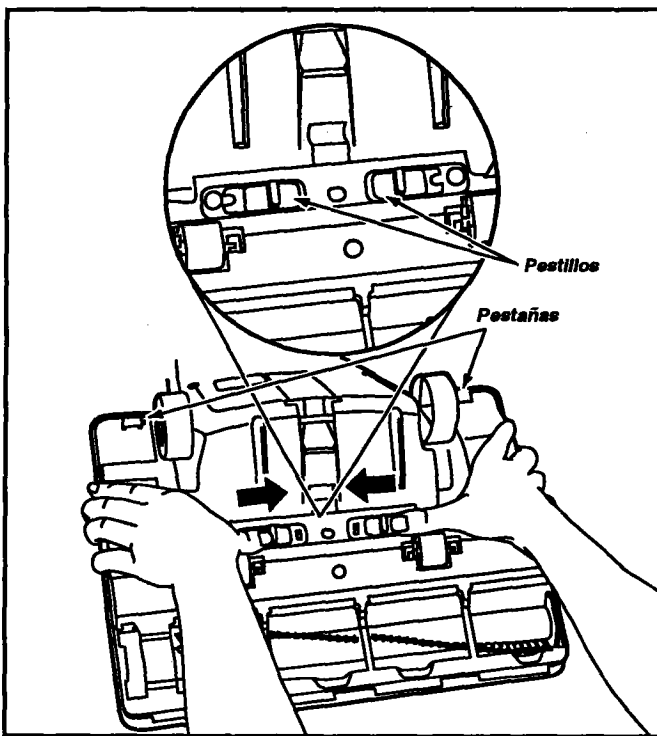
PARA QUITAR LA PLACA INFERIOR:

Desenchufe la unidad de la corriente eléctrica.

Ponga el mango de la aspiradora en posición horizontal y voltee la unidad de cabeza.

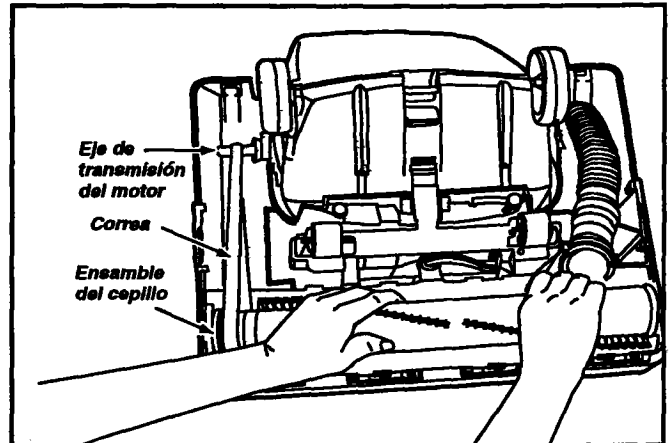
Para proteger la superficie del suelo, siempre ponga papel debajo de la boca de la máquina cuando se saca la placa inferior.

Libere la placa inferior haciendo presión sobre las pestañas en dirección al centro.



Tome las presillas de la parte posterior y tire hacia adelante y hacia arriba para quitar la placa inferior.

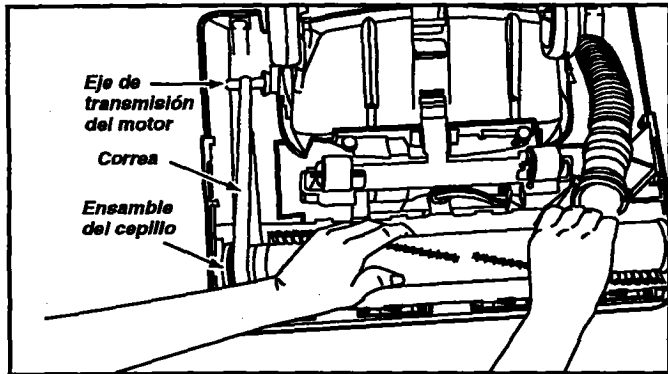
Cepille o quite cualquier residuo que esté en el área de correas.



! **ADVERTENCIA**


Peligro de lesión personal
Siempre desenchufe la aspiradora antes de limpiar el área del cepillo, ya que éste podría empezar a funcionar repentinamente. No hacerlo podría resultar en una lesión personal.

PARA QUITAR LA CORREA/LIMPIAR EL CEPILLO:



Con cuidado levante el extremo derecho del conjunto del agitador y luego el lado izquierdo. Quite el cepillo cilíndrico.

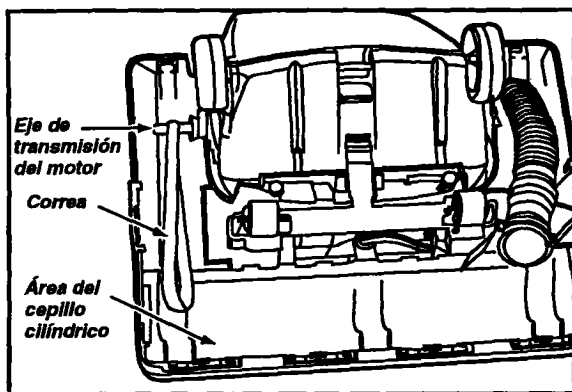
Quite la correa o rota del eje de transmisión del motor.



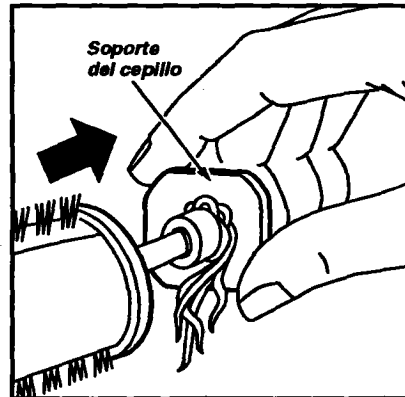
ADVERTENCIA

*Peligro de lesión personal
Tenga cuidado al quitar el cepillo cilíndrico, la tensión de la correa es grande. Si no tiene precaución podría sufrir una lesión personal si el cepillo se libera rápidamente y sale disparado.*

Quite toda basura o restos del área que recorre la correa o del área del cepillo cilíndrico.



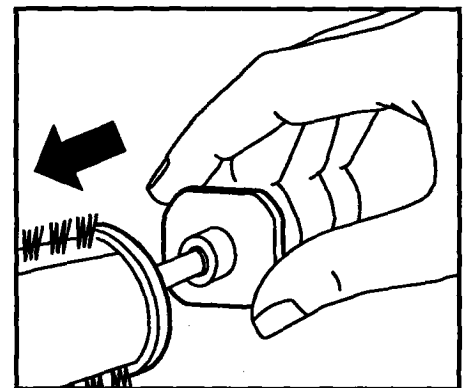
Con cuidado quite los soportes del cepillo y las arandelas de los extremos del cepillo para ver si se han acumulado hilos y pelo.



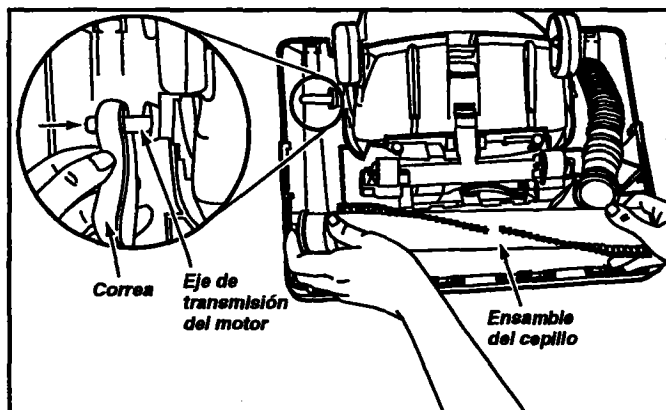
NOTA: Cuando quite los soportes del cepillo, podría salirse una pequeña arandela de cada extremo. **NO** las pierda.

Quite todo hilo o basura.

Vuelva a poner las arandelas y los soportes del cepillo. Vea la perspectiva despiezada para seguir el orden correcto de colocación de las piezas.



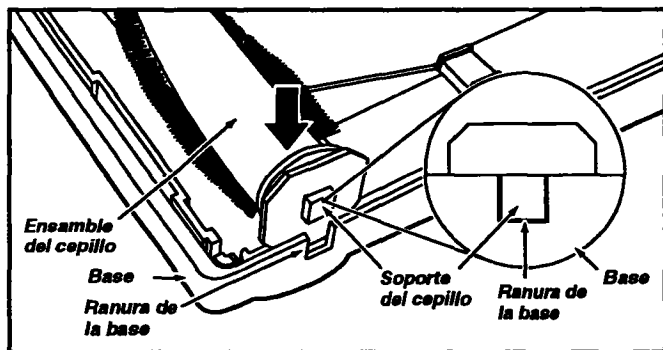
PARA CAMBIAR LA CORREA:



Coloque la nueva correa alrededor del eje de transmisión del motor.

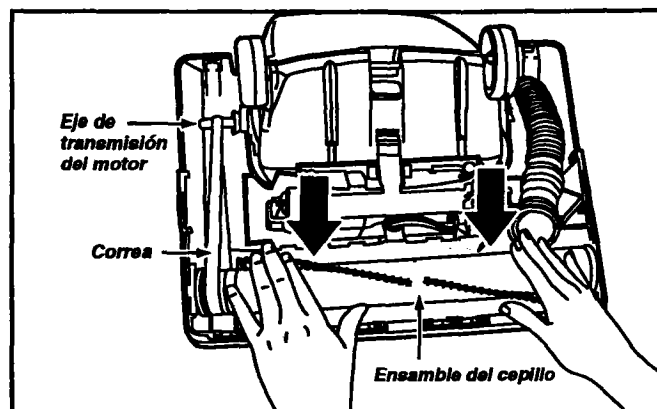
NOTA: Consulte la PIEZAS Y CARACTERÍSTICAS para determinar el N°. de correa.

Coloque el otro extremo de la correa alrededor del canal del cepillo cilíndrico.



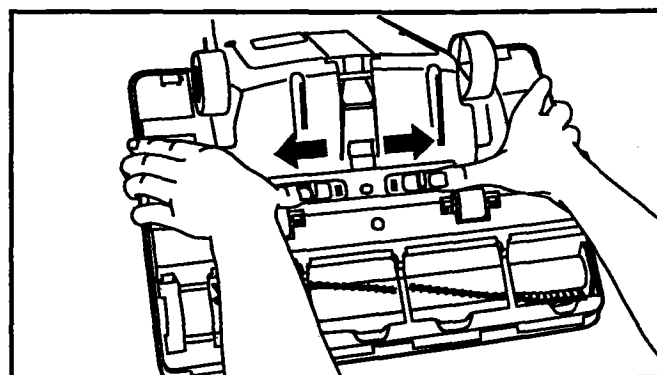
Alinee la extensión cuadrada de cada soporte del cepillo con las ranuras de la estructura de la base.

Haga presión firmemente, asegurándose de que hayan entrado bien ambos extremos.



Verifique que la correa esté centrada en el canal de la correa y que el cepillo cilíndrico gire libremente.

Vuelva a colocar la placa inferior, metiendo las pestañas del frente de la placa en las ranuras del alojamiento de la boquilla y empujando la placa hacia atrás hasta que las presillas posteriores entren en su lugar. Tire de las pestañas hacia afuera.



Ponga la aspiradora en posición vertical antes de enchufarla a la corriente eléctrica.

LIMPIEZA DEL EXTERIOR Y DE LOS ACCESORIOS

1. Desconecte el cordón eléctrico de la clavija de la pared. **NO choree agua sobre la aspiradora.**
2. Limpie el exterior con un trapo suave y limpio, que ha sido exprimido después de remojar en una solución de agua y detergente líquido ligero. Seque el exterior con un trapo seco después de limpiar.
3. Limpie la superficie exterior del receptáculo y de los accesorios para reducir la electricidad estática y la acumulación de polvo.
4. Lave los accesorios en agua tibia jabonosa, enjuague y deje secar al aire. **NO los lave en lavadora de platos.**

NO USE LOS ACCESORIOS SI ESTÁN MOJADOS.



CUIDADO

Los accesorios que se utilicen en áreas sucias, debajo del refrigerador, no deben usarse en otras superficies sin antes ser lavados. Podrían dejar marcas.

CAMBIO DE LA BOMBILLA

ALGUNOS MODELOS



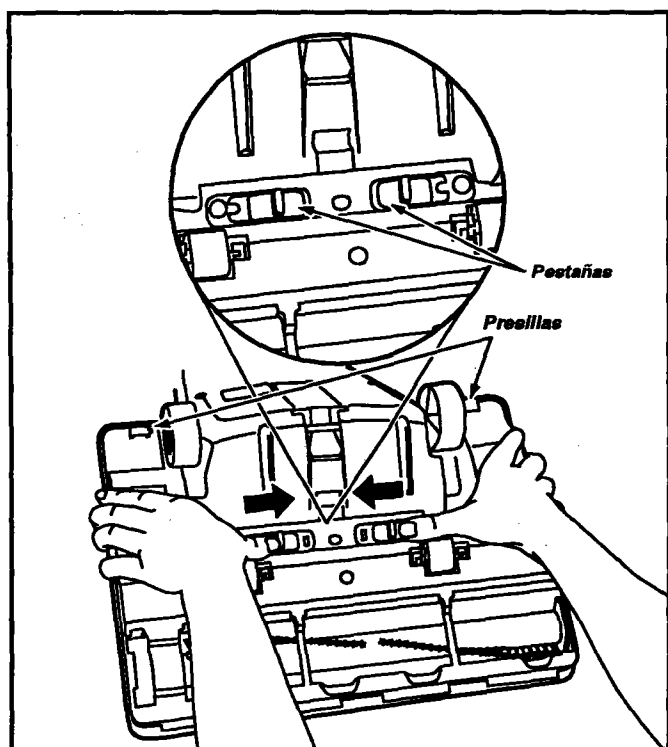
ADVERTENCIA

Peligro de choque eléctrico o lesión corporal
Desconecte la unidad antes de limpiarla o darle servicio. De lo contrario, podría producirse un choque eléctrico o causar lesión corporal si la aspiradora arranca de manera imprevista.

Desenchufe la unidad de la corriente eléctrica.

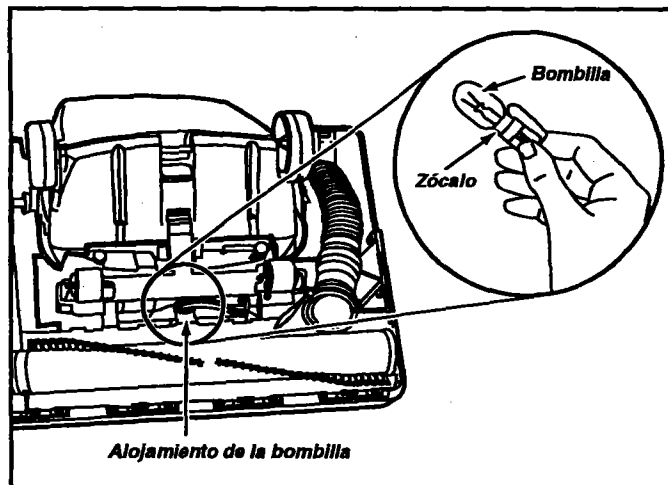
Ponga el mango de la aspiradora en posición horizontal y voltee la unidad de cabeza.

Libere la placa inferior haciendo presión sobre las pestañas en dirección al centro.



Tome las presillas de la parte posterior y tire hacia adelante y hacia arriba para quitar la placa inferior.

Ya que haya quitado la placa inferior podrá sacar el alojamiento de la bombilla de la saliente en la que está montado, moviendo el zócalo de un lado a otro.



Ya que haya aflojado el alojamiento de la bombilla, podrá quitar ésta empujándola hacia abajo y girándola hacia la izquierda. Ahora puede colocar la nueva bombilla en el zócalo. Alinee la saliente de la bombilla con las ranuras del zócalo y al mismo tiempo que presione la bombilla contra el zócalo déle vuelta hacia la derecha.

NOTA: Consulte la PIEZAS Y CARACTERÍSTICAS para determinar el N°. de la bombilla.



CUIDADO

Use bombillas del mismo o menor wataje para prevenir daños a las partes circundantes.



CUIDADO

No la enchufe ni la prenda sino hasta que la haya vuelto a amarrar por completo.

Vuelva a meter el alojamiento de la bombilla en la saliente mediante presión.

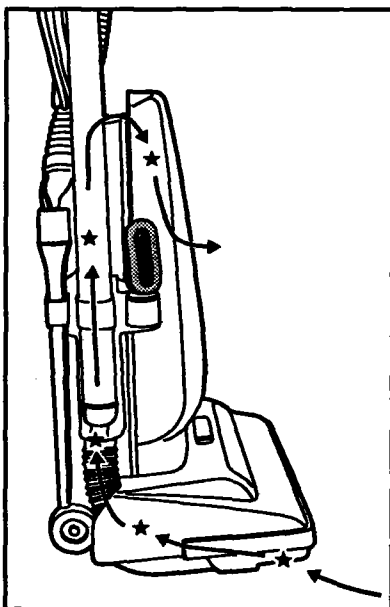
Vuelva a colocar la placa inferior, metiendo las pestañas del frente de la placa en las ranuras del alojamiento de la boquilla y empujando la placa hacia atrás hasta que las presillas posteriores entren en su lugar. Empuje las pestañas hacia afuera.

CÓMO ELIMINAR LOS RESIDUOS DE BASURA EN LOS CONDUCTOS



ADVERTENCIA

Peligro de choque eléctrico o lesión corporal
Desconecte la unidad antes de limpiarla o darle servicio. De lo contrario, podría producirse un choque eléctrico o causar lesión corporal si la aspiradora arranca de manera imprevista.



Para obtener los mejores resultados de limpieza, mantenga limpios los conductos de paso del aire.

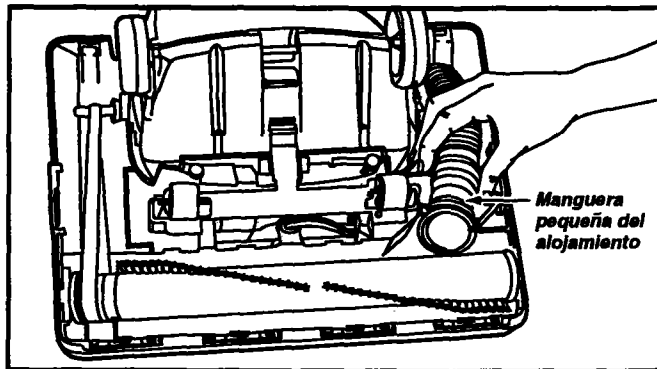
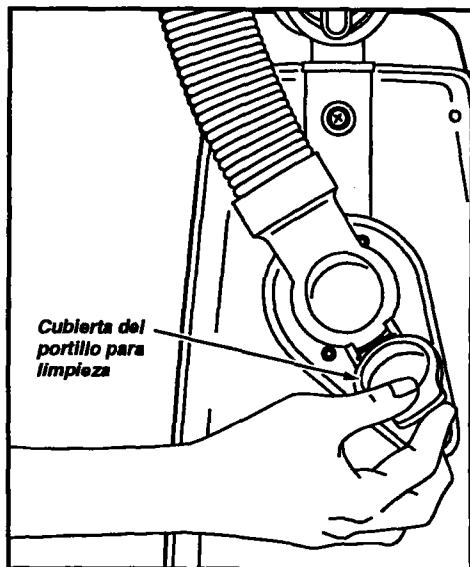
Antes de revisar los conductos de paso del aire desenchufe el cordón de la corriente eléctrica.

De vez en cuando revise que no estén obstruidas las partes señaladas en la ilustración.

Desconecte el tubo de la manguera de la boquilla y revise que no esté tapado.

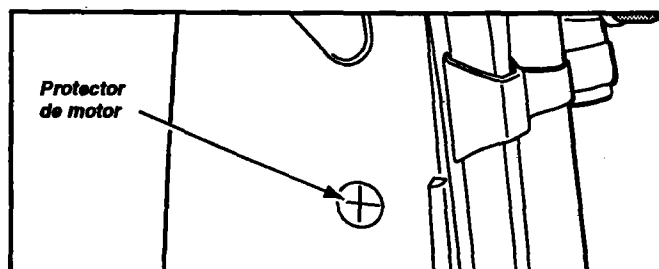
Con la aspiradora prendida y el tubo desconectado, estire y comprima la manguera para destaparla.

Quite la tapa del conducto de succión y revise si hay obstrucciones en esta área.



De persistir la obstrucción, apague (OFF) la aspiradora y desenchufe el cordón eléctrico. Voltee la unidad de cabeza, exponiendo la superficie inferior. Quite la placa inferior. Quite la manguera pequeña del alojamiento levantándola directamente hacia arriba. Inspeccione el extremo de la manguera y quite toda obstrucción. Vuelva a colocar la manguera corta y la placa inferior.

PROTECTOR DE MOTOR



PROTECTOR DE MOTOR

Esta aspiradora tiene una válvula de desviación que sirve como protector de motor que se abre automáticamente para proveer un flujo de aire al motor cuando un zueco impida que circule el aire al motor. Si se abre la válvula bypass para impedir que se recalente el motor y que no haga daño a la aspiradora, se notará un cambio de sonido mientras el aire pasa por la abertura de la válvula. Cuando ocurre, apague la aspiradora y desenchufe el cordón del tomacorriente. Después, inspecciónela para encontrar zuecos como se describe bajo la sección CÓMO ELIMINAR LOS RESIDUOS DE BASURA EN LOS CONDUCTOS.

La válvula de desviación puede estar abierta mientras se usan los accesorios o para limpiar una alfombra nueva a causa de un flujo reducido de aire por los accesorios mismos o por la pelusa de la alfombra que llene la bolsa rápidamente.

RECONOCIMIENTO DE PROBLEMAS

Consulte este cuadro para encontrar soluciones que usted mismo puede realizar cuando tenga problemas menores de rendimiento.



ADVERTENCIA

Peligro de choque eléctrico

Desconecte la aspiradora antes de darle servicio o limpiarla. De lo contrario podría producirse un choque eléctrico o causar lesión corporal.

PROBLEMA	CAUSA POSIBLE	SOLUCIÓN POSIBLE
La aspiradora no funciona.	<ol style="list-style-type: none"> 1. Está desconectada. 2. Cortacircuitos botado o fusible quemado en el tablero de servicio de la residencia. 3. Interruptor de encendido/apagado no está en la posición ON. 	<ol style="list-style-type: none"> 1. Conecte bien, oprima selector de encendido/apagado a la posición ON. 2. Restablezca el cortacircuitos o cambie el fusible. 3. Coloque el interruptor de encendido/apagado en la posición ON.
No aspira satisfactoriamente.	<ol style="list-style-type: none"> 1. Bolsa para polvo llena o atascada. 2. Ajuste incorrecto de nivel de pelo de la alfombra. 3. Cepillo desgastado. 4. Manguera de la boquilla obstruida. 5. Manguera o tubo obstruidos. 6. Manguera rota. 7. Correa rota. 8. La manguera, tubo no está bien metida. 9. Se dejó puesta la boquilla para huecos reducidos. 	<ol style="list-style-type: none"> 1. Cambie la bolsa, (páginas 11, 12). 2. Ajuste el nivel, (página 8). 3. Cambie el cepillo, (páginas 13-15). 4. Limpie la manguera, (página 17). 5. Limpie la manguera, (página 17). 6. Cambie la manguera. 7. Cambie la correa, (páginas 13-15). 8. Meta la manguera, tubo, (página 7). 9. Quite el tubo y almacénelo debidamente, (página 7).
La luz no funciona.	<ol style="list-style-type: none"> 1. Bombilla fundida. 	<ol style="list-style-type: none"> 1. Cambie la bombilla, (página 16).
La basura de sale de la bolsa para polvo.	<ol style="list-style-type: none"> 1. Verifique que la bolsa esté bien puesta. 2. Bolsa rota. 3. Cubierta de la bolsa mal instalada. 	<ol style="list-style-type: none"> 1. Vea las instrucciones, (páginas 11, 12). 2. Cambie la bolsa, (páginas 11, 12). 3. Vea las instrucciones, (páginas 11, 12).
Restricción del flujo de aire Cambio de sonido.	<ol style="list-style-type: none"> 1. El uso de los accesorios limita el flujo de aire. 2. La pelusa de una alfombra nueva obstruye el paso de aire 	<ol style="list-style-type: none"> 1. Lea el manual de instrucciones, (página 9). 2. Revise las instrucciones y limpie la manguera, (página 17).