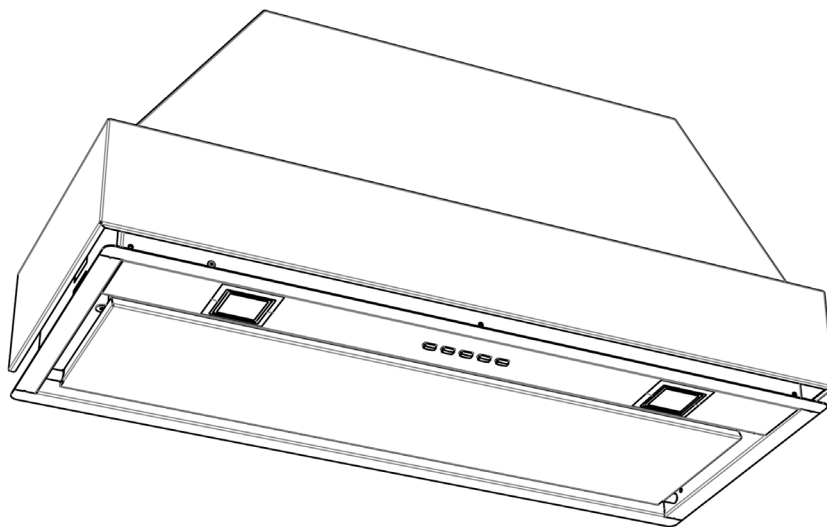




**HU60**

**HU80**

**230Vac - 50Hz**



**CE**

# INSTALLATION, OPERATING AND MAINTENANCE INSTRUCTIONS FOR COOKER HOODS

## MODEL HU60-HU80 230 Vac - 50 Hz

Exhausting cooker hood. The equipment is constructed in accordance with European Standards and with the requirements included in the following Directives: 2006/95EC ( Low Voltage Directive), 2004/108 (Electromagnetic Compatibility).

### 1 INSTALLATION

Read the instruction manual before installing and/or using the hood .

In order that the minimum distance between the supporting surface for the cooking pots on gas hob and low-voltage components present in the hood is at least 65cm as required by the regulations in force, it is necessary that the lower part of the hood is at least 60cm away from the work top.

If the mounting instructions of the gas cooker indicate a wider distance, respect it. The unit must not be mounted above cookers fitted with top radiant plate.

Respect all the air discharge regulations.

The air must not be discharged in a pipe used to discharge exhaust fumes produced by gas- fed equipments or fuel-fed equipments (this does not apply to filtering hoods).

The room must be adequately ventilated when the hoods is used together with other gas-fed or fuel-fed equipments.

The hood is equipped with all the necessary fastenings for its installation, which are suitable for most surfaces. Anyway, ask to a professional to verify that the installation surface is strong enough. Installation must be carried out by qualified installers according to present regulations.

For an easy access, it is advisable to move possible furniture under the installation area. For mounting the hood follow the illustrations in **Fig. 1**.

To remove the bottom panel follow the illustrations on **Fig. 2**

To install the cover follow illustrations on **Fig. 3**

### 2 ELECTRICAL CONNECTIONS

This equipment must be connected to a grounding plant. Two types of electrical connection can be used:

- Using a standard plug to be connected to the power cable and inserted in a mains socket which must be accessible (so that the plug can be disconnected when servicing is carried out). Make sure that the plug is accessible also after the complete installation of the equipment.
- By means of a fixed mains connection, fitting a bipolar switch, which ensures the disconnection, with an opening distance of the contacts allowing a complete disconnection on the conditions of the overvoltage III category, according to installation regulations. The ground connection (yellow-green wire) must not be interrupted.

Refer to the plate inside the hood for the mains voltage and frequency ratings.

### 3 USE

This cooker hood can be employed as exhausting or filtering.

**Exhausting (Fig. 4).** The carbon filters should not be installed on the hood in exhausting version.

Kitchen smokes are driven outside through a flue joined to the exhaust pipe flue connector..

Pipes must be communicating with the exterior of the house. The diameter of the outlet of the hood is 150mm. A 150-125 reduction is provided with the hood.

This pipe must not under any circumstances be connected to cooker, boiler or burner exhaust pipes, etc.

**Filtering (Fig. 5).** The fumes pass through the carbon filters to be purified and recycled into the kitchen through a pipe connected to the outlet of the hood up to the hole on the top of the cabinet.

This hole must be free and communicating with the kitchen.

In the filtering version you must install the two carbon filters on the sides of the aspirator. To install the carbon filters you must first remove the metal grease filters (**Fig. 6**) and then install carbon filters by turning them counterclockwise (**Fig. 7**).

### 4 OPERATION

The hood is supplied with a multispeed motor.

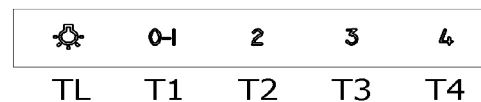
The hood should be run at low speed under normal conditions and at higher speeds only when there is a heavy build-up of fumes or odours.

Ideally, the hood should be switched on as soon as cooking is started and then kept on until all odours have been eliminated.

The controls consist of these commands. Press TL to turn on the light, press T1 to switch on the hood at first speed and to switch off the aspirator, press T2-T3-T4 to select functioning speeds.

By pressing of the command T1 the motor starts running at the 1st speed. The commands

T2-T3-T4 switch the motor on respectively at the 2nd, 3rd and 4th speed. In order to switch the motor off press T1 once if set at the 1st speed, twice if set at the 2nd, 3rd and 4th speed. With the button T4, select the maximum speed of the extraction fan for 5 minutes (LED blinking), after which the extraction fan will automatically switch to the 3rd speed.



#### Adjustable and delayed self switching off

While the hood is working, keep the TL command pressed until all LEDs start blinking. By pressing one of the LEDs (T1, T2, T3, T4) you can program the delayed self switching off, as follows:

T1 corresponds to 5 minutes

T2 corresponds to 10 minutes

T3 corresponds to 15 minutes

T4 corresponds to 20 minutes

During the time of the self switching, you can change and set any speed.

#### Filters maintenance reminder

Aluminium anti-grease filters

Once the hood is switched off, after 30 hour functioning, all the leds of the speed LEDs switch on with a fixed light for 30 seconds to remind that aluminium anti-grease filter need cleaning. To set the timer to zero, keep the button T4 pressed with the aspirator switched off, otherwise the timer will remain set on 30 hour functioning and the reminder will occur again when the hood is switched off again.

#### Charcoal filter (for filtering hoods)

Once the hood is switched off, after 120 hour functioning, all LEDs blink for 30 seconds to remind that the charcoal filter need cleaning.

To set the timer to zero, keep the button T4 pressed with the aspirator switched off, otherwise the timer will remain set on 120 hour functioning and the reminder will occur again when the hood is switched off again.

## 5 MAINTENANCE

Always disconnect the hood from the mains before carrying out any maintenance or cleaning operation

In order to remove the remaining glue or any impurity, the cooker hood must be cleaned immediately after installation and after having removed the protective film.

The cooker hood must be cleaned frequently both internally and externally (at least once a month).

Do not let dirt gather on the inner and outer surfaces of the hood. To clean the exterior of the hood do not use either acid or basic products, or abrasive sponges.

Clean the hood with a sponge dampen in warm water and a little quantity of neutral detergent

(for example dishwasher detergent), in order to remove possible particles of grease. Rinse with a damp cloth, removing all the detergent carefully, following the satin finish direction on the steel surface.

Drying is very important, especially in areas where water is particularly hard and leaves limestone.

Particular attention should be paid to the metallic anti-grease filters that are designed to trap particles of fat contained in the fumes. The metallic anti-grease filters must be washed at least once a month with detergent in hot water (or in the dish-washer). ATTENTION: the grease collected in the filters can easily catch fire and it is therefore extremely important to clean the metallic filters on a regular basis as per instructions.

**The charcoal filters are designed to collect unpleasant odours in the cooking fumes. The air is then released purified in the environment. The charcoal filters must not be washed, but replaced 2 or 3 times a year, depending on how much the hood is used. New filters are to be requested directly to the manufacturer. In order to replace the charcoal filters, you should remove the anti-grease filters. You have then to take off the charcoal filters placed at the two sides of the aspirator. Turn the filters until they unfasten from aspirator (Fig.7). Invert the operation in order to install the new charcoal filters.**

**The hood features a LED light that, in addition to offering a good lighting and a significant energy savings, is guaranteed to last on average 10 times more than traditional lights. For replacement, contact the Assistance Service.**

## 6 WARNINGS

The present instruction manual is an integral part of the appliance itself, therefore it must be carefully kept and ALWAYS accompany it, even in case of its assignment to another owner or user or in case the cooker hood is moved to another installation plant.

Any eventual adjustment to the electrical system, which may be necessary to install the cooker hood, must be carried out only by competent people. Any repair carried out by no competent people may cause damages. For any repair or needed technical action make reference to a Technical Assistance Center, which is authorized to carry out the replacement of the spare parts.

Always make sure that all the electrical parts (lights, exhaustion unit) are disconnected when the appliance is not in use.

By storms take off the main switch of the house electrical system. The using of the cooker hood must not be other than the use of exhausting units for cooking damp on domestic kitchens. The manufacturer does not accept any liability for damages caused by people, animals or things, by installation and maintenance mistakes or by any illegitimate use.

Make sure that the voltage (V) and the frequency (Hz) ratings indicated on the plate inside the cooker hood correspond to the ones available in the installation place.

We remind that the use of products functioning with electrical energy implies the observance of some essential security rules, as follows:

- This equipment is not intended for people (children included) with reduced mental or motor capacities, with lack of experience or knowledge, unless they are supervised or unless a person responsible for their security, gives them instructions regarding the use of the equipment. Children must be supervised in order to be sure that they do not play with the equipment.
- Any cleaning action is forbidden if the appliance hasn't been disconnected from the main power supply and if the main switch of the house electrical system is not off. If cleaning is not carried out according to these instructions, a fire may break out.
- Do not pull, take off or twist the cable coming out from the appliance, even though this has been disconnected from the main power supply.
- Do not sprinkle or throw any water directly on the appliance.
- Do not stick any sharp tool inside the exhausting holes and into the air discharge.
- Do not take out the filters in order to reach the internal sides of the appliance in case the main switch of the house electrical system is not off.
- Do not singe or flambé directly underneath the cooker hood. Take particular care when frying to ensure that the oil does not catch fire.

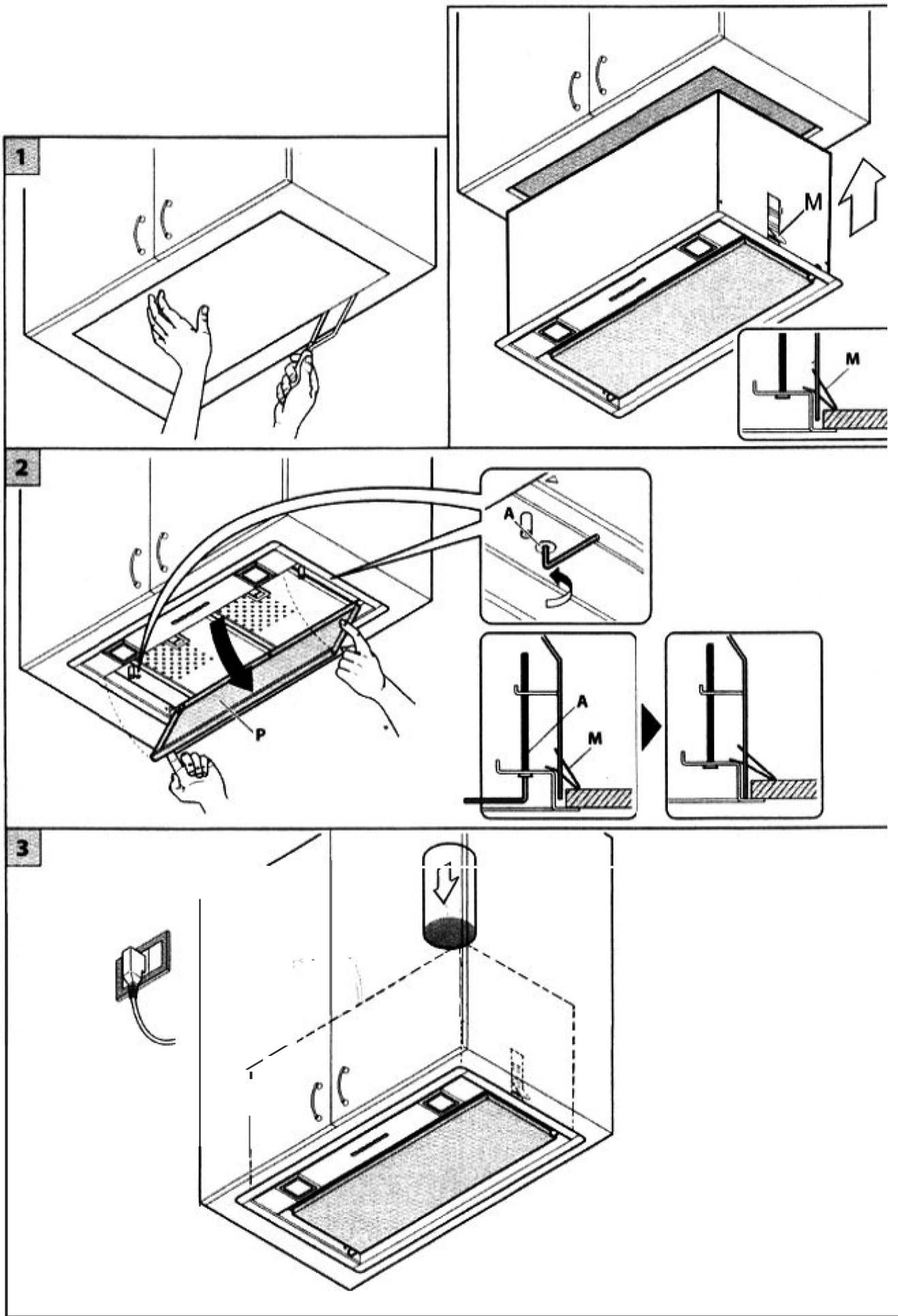


Fig. 1

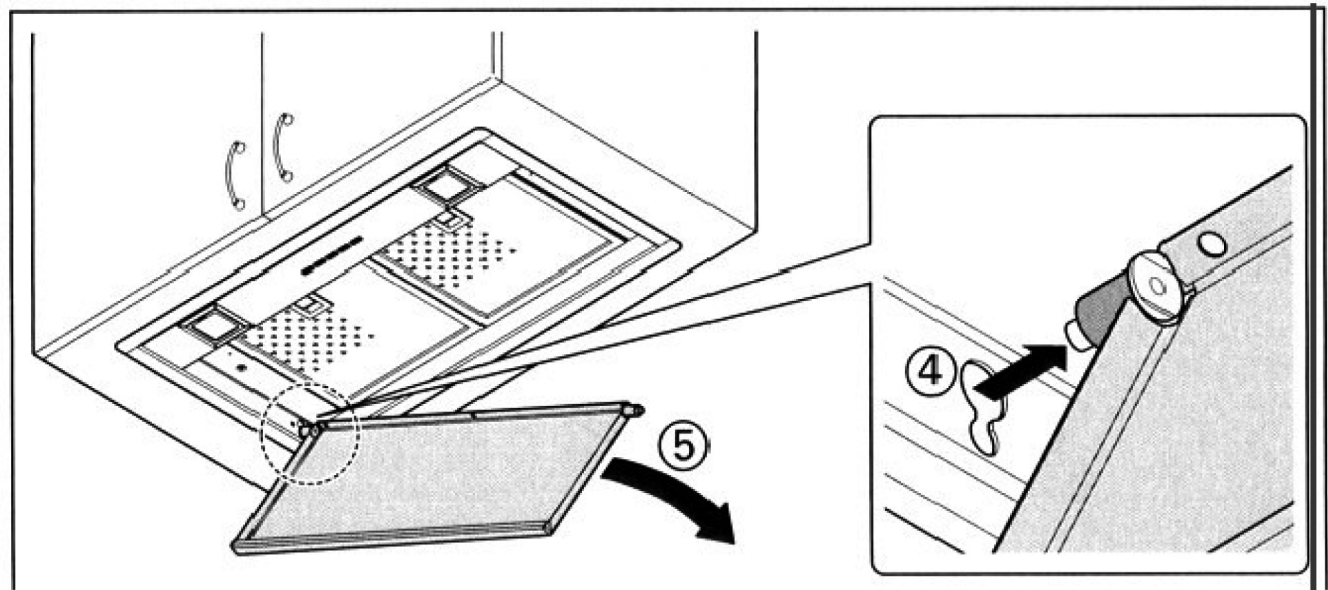
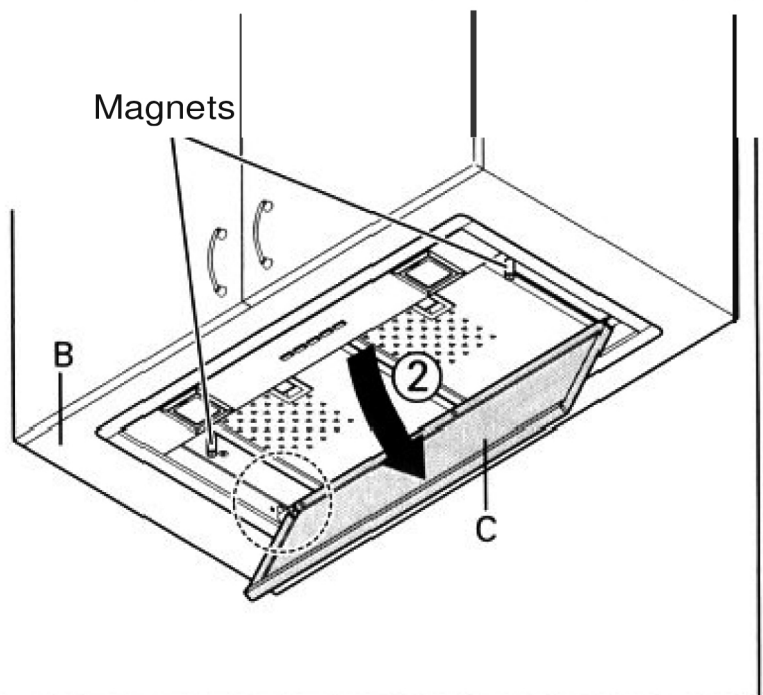
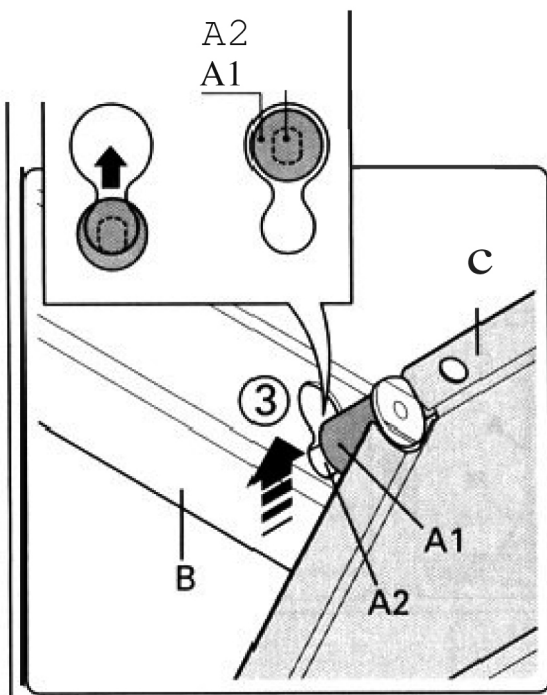
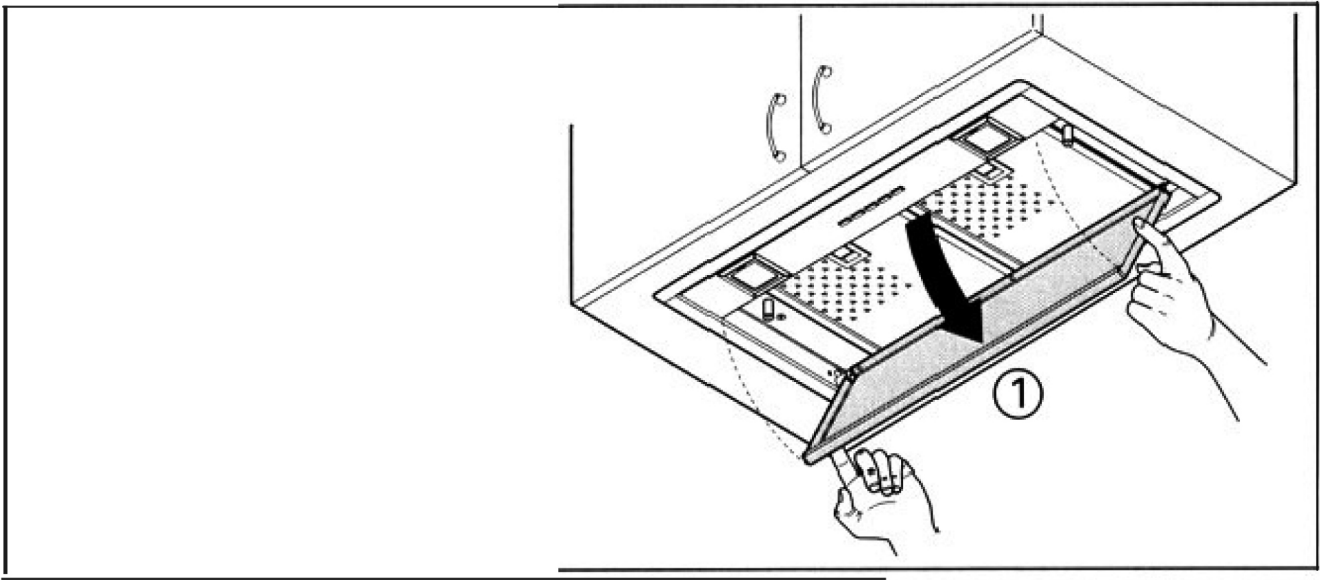
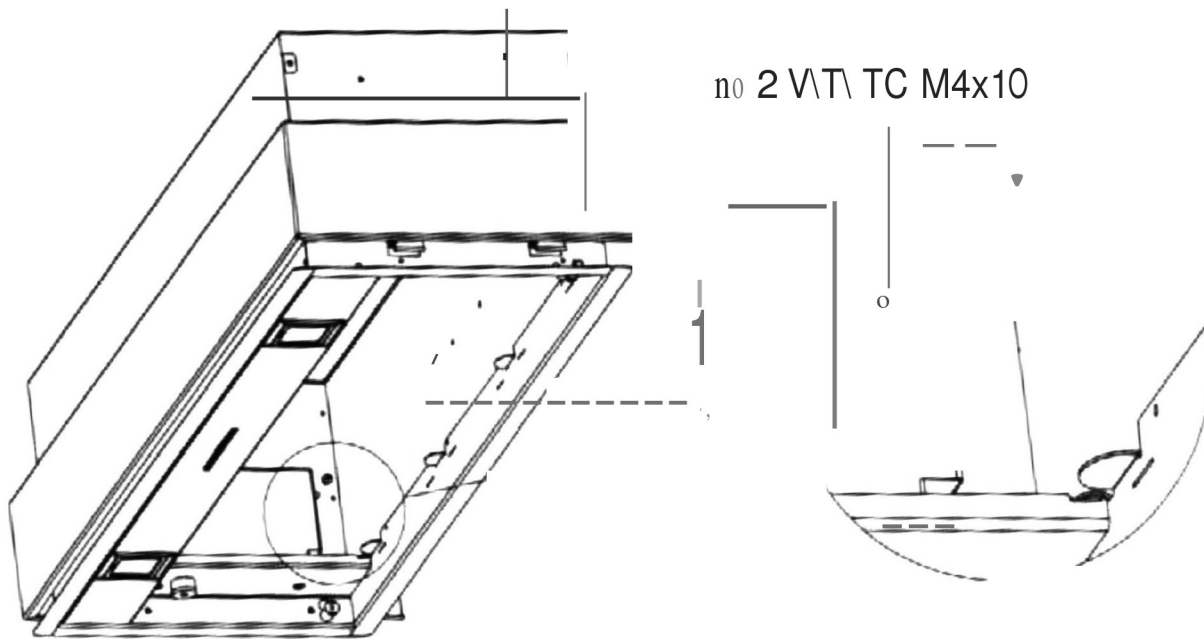


Fig. 2



no 3 V\T\ Z\GR\NATE M4x17

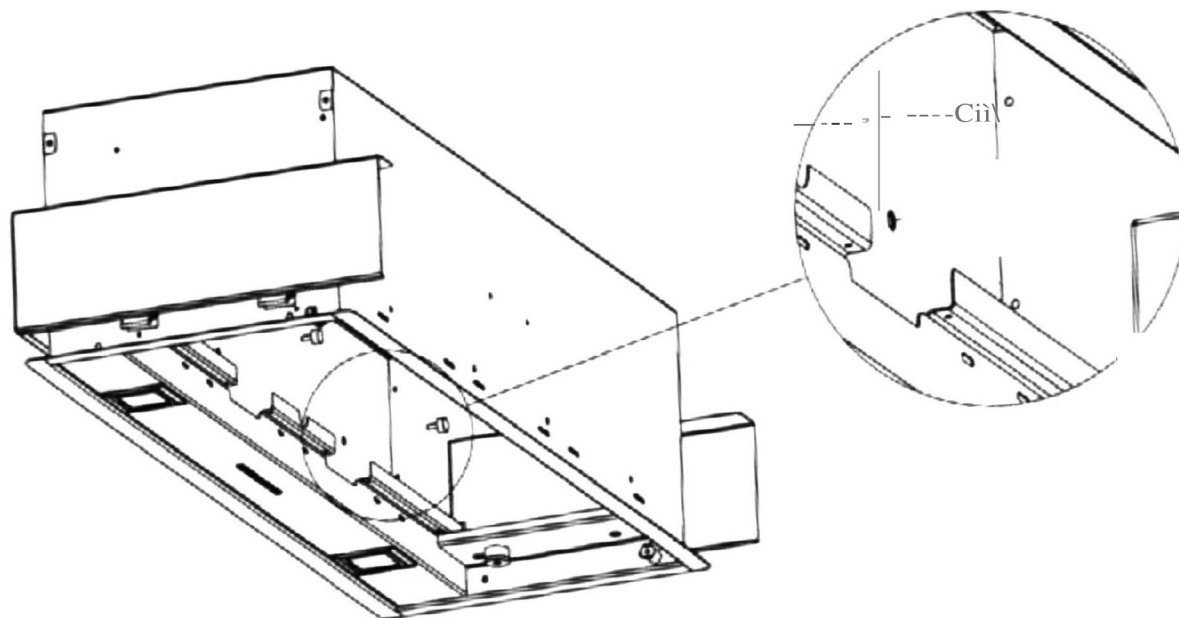


Fig. 3

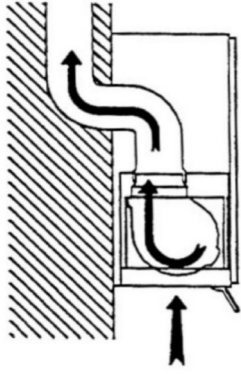


Fig. 4

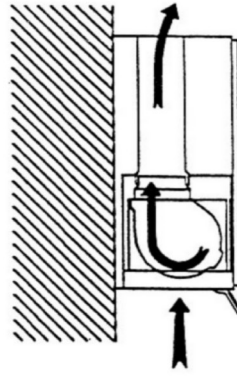


Fig. 5

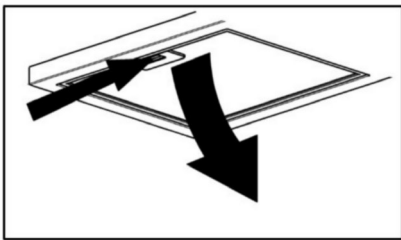


Fig. 6

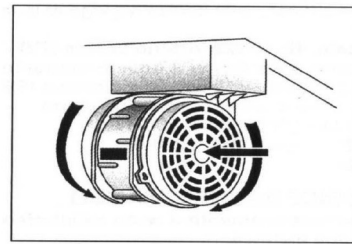


Fig. 7



#### INSTRUCTIONS FOR USERS

***Directive 2002/95/EC, 2002/96/EC and 2003/108/EC on the restriction of the use of certain hazardous substances in electrical and electronic equipment, and waste electrical and electronic equipment***

This symbol, crossed out wheelie bin, on the product or on its packaging indicates that this product must not be disposed of with your other household waste. Instead, it is your responsibility to dispose of your waste equipment by handing it over to a designated collection point for the recycling of waste electrical and electronic equipment or return it to the retailer upon purchasing a new replacement. The separate collection and recycling of your waste equipment at the time of disposal will help to conserve natural resources and ensure that it is recycled in a manner that protects human health and the environment. Illegal disposal of waste is an offence and subject to penalties and fines.

**Here are some important points to consider when choosing and/or installing a range hood:**

- An externally ducted range hood will generally outperform a recirculating range hood.
- We discourage the use of flexible ducting as this has a significant negative impact on airflow and noise due to turbulence caused by the ribs. Instead consider using semi-rigid or rigid duct.
- Avoid using a narrower duct than specified as this will reduce airflow; the best performance is obtained when the range hood is installed with a short duct with minimal bends.
- To determine the required clearance between the cooktop and the range hood always consult the installation manual for both the range hood and cooktop. The required clearance is the greater of the distance specified in either manual (and a minimum of 600mm between the highest point of the highest burner for gas cooktops).
- Five metres is the recommended maximum length for ducting (see diagram 1.). When the ducting exceeds five metres in length the installation of a TD500 or TD350 in-line motor is required, which must be placed one metre from the external vent (see diagram 2.).

