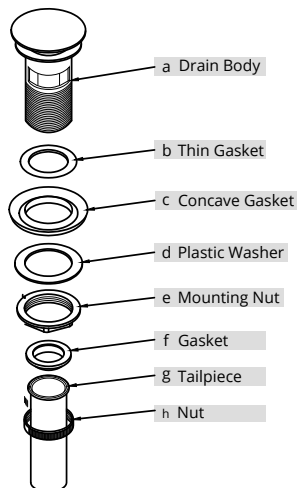
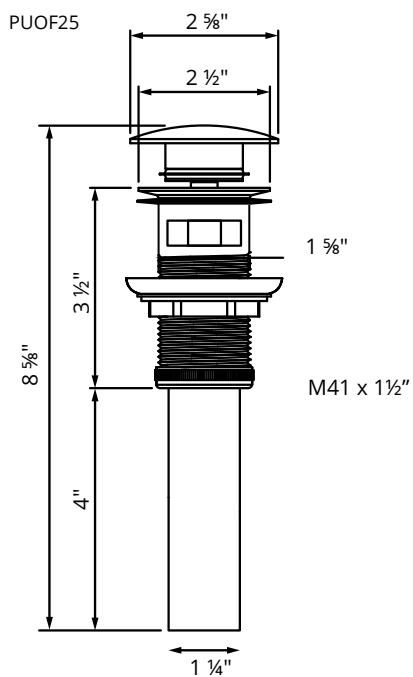


Installation Instructions

PUOF25 - DIAGRAM AND PARTS BREAKDOWN

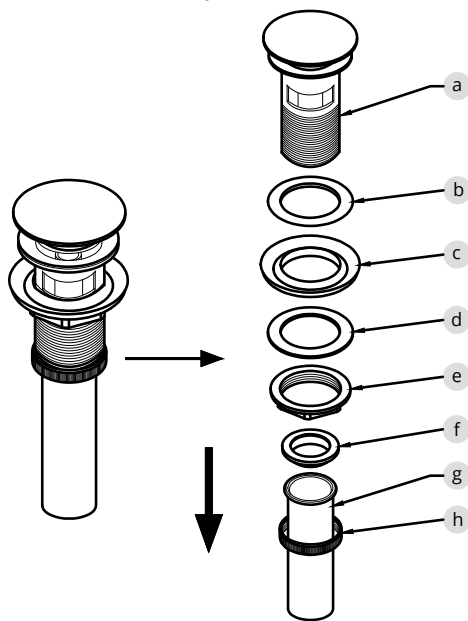


SPECIFICATIONS



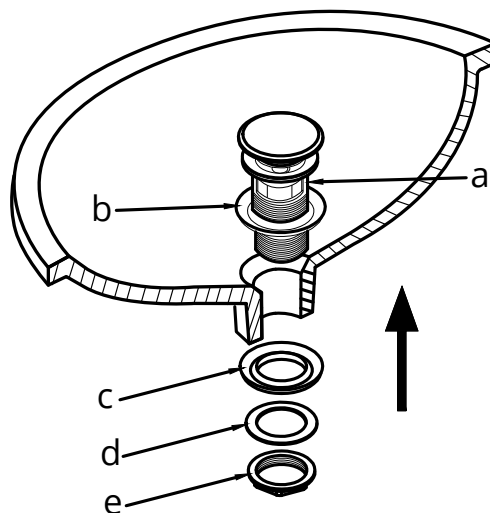
STEP ONE

Begin by removing the nut (h), tailpiece (g), mounting nut (e), plastic washer (d) and concave washer (c) from the drain body (a).



STEP TWO

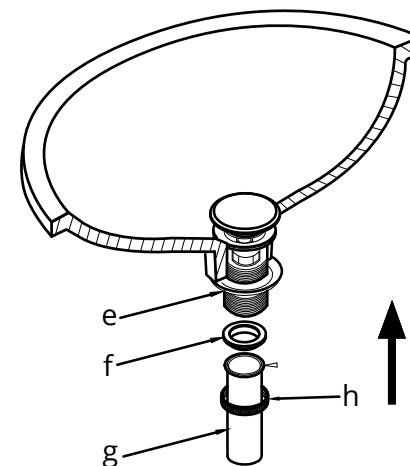
Install the drain body (a), with the rubber washer (b) attached, into the drain hole of the vanity bowl. From underneath the bowl, attach concave washer (c) (narrow end facing up), plastic washer (d) and mounting nut (e) to drain body (a).



STEP THREE

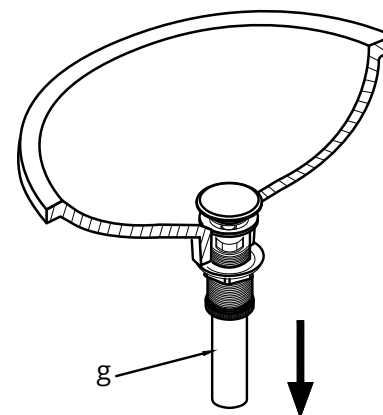
Tighten the mounting nut (e) with an adjustable wrench until snug. Thread connector (h) with tailpipe (g) attached, onto the drain body (a) and hand-tighten.

Note to Installer: Make sure tailpipe washer (f) is installed into the tailpiece.



STEP FOUR

Connect the tailpiece (g) to the p-trap.



CARE & MAINTENANCE INSTRUCTIONS

To keep your drain clean & functioning correctly, please follow these steps below:

1. Rinse with clean water & dry with a soft cloth.
2. Do not clean with acid, polish, abrasives or harsh cleaners on your drain.
3. Do not use abrasive scouring pads.