



Ice Maker

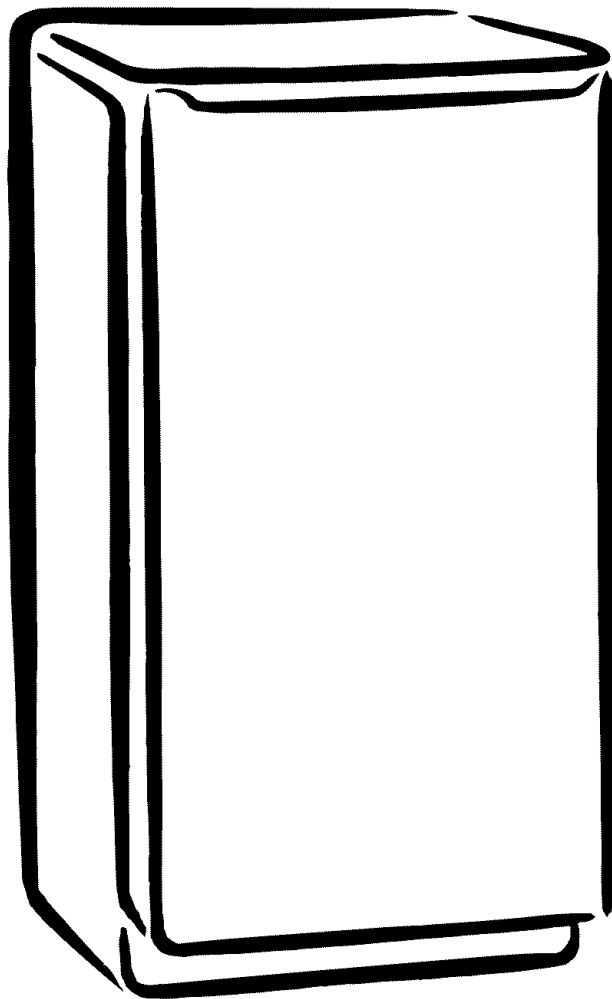
Use & Care Guide

Fábrica de hielo

Manual de uso y cuidado

Machine à glaçons

Guide d'utilisation et d'entretien



ENGLISH ESPAÑOL FRANÇAIS

TABLE OF CONTENTS

WARRANTY	2	Using the Controls.....	8
ICE MAKER SAFETY	3	ICE MAKER CARE	9
INSTALLATION INSTRUCTIONS	3	Cleaning.....	9
Unpack the Ice Maker.....	3	Vacation and Moving Care.....	11
Location Requirements.....	3	TROUBLESHOOTING	12
Electrical Requirements.....	4	Ice Maker Operation.....	12
Water Supply Requirements.....	4	Ice Production.....	12
Leveling.....	4	Ice Quality.....	12
Connect Water Supply.....	5	Plumbing Problems.....	12
Drain Connection.....	6	PROTECTION AGREEMENTS	13
Ice Maker Door.....	6	In the U.S.A.....	13
Normal Sounds.....	7	In Canada.....	13
ICE MAKER USE	8	SERVICE NUMBERS	BACK COVER
How Your Ice Maker Works.....	8		

KENMORE APPLIANCE WARRANTY

ONE YEAR LIMITED WARRANTY

When installed, operated and maintained according to all instructions supplied with the product, if this appliance fails due to a defect in material or workmanship within one year from the date of purchase, call 1-800-4-MY-HOME® to arrange for free repair.

If this appliance is used for other than private family purposes, this warranty applies for only 90 days from the date of purchase.

THIS WARRANTY COVERS ONLY DEFECTS IN MATERIAL AND WORKMANSHIP. SEARS WILL NOT PAY FOR:

1. Expendable items that can wear out from normal use, including but not limited to filters, belts, light bulbs, and bags.
2. A service technician to instruct the user in correct product installation, operation or maintenance.
3. A service technician to clean or maintain this product.
4. Damage to or failure of this product if it is not installed, operated or maintained according to all instructions supplied with the product.
5. Damage to or failure of this product resulting from accident, abuse, misuse or use for other than its intended purpose.
6. Damage to or failure of this product caused by the use of detergents, cleaners, chemicals or utensils other than those recommended in all instructions supplied with the product.
7. Damage to or failure of parts or systems resulting from unauthorized modifications made to this product.

DISCLAIMER OF IMPLIED WARRANTIES; LIMITATION OF REMEDIES

Customer's sole and exclusive remedy under this limited warranty shall be product repair as provided herein. Implied warranties, including warranties of merchantability or fitness for a particular purpose, are limited to one year or the shortest period allowed by law. Sears shall not be liable for incidental or consequential damages. Some states and provinces do not allow the exclusion or limitation of incidental or consequential damages, or limitations on the duration of implied warranties of merchantability or fitness, so these exclusions or limitations may not apply to you.

This warranty applies only while this appliance is used in the United States and Canada.

This warranty gives you specific legal rights, and you may also have other rights which vary from state to state.

Sears, Roebuck and Co.
Dept. 817WA, Hoffman Estates, IL 60179

Sears Canada Inc.
Toronto, Ontario, Canada M5B 2B8

PRODUCT RECORD

In the space below, record your complete model number, serial number, and purchase date. You can find this information on the model and serial number label located on the product.

Have this information available to help you obtain assistance or service more quickly whenever you contact Sears concerning your appliance.

Model number _____

Serial number _____

Purchase date _____

Save these instructions and your sales receipt for future reference.



ICE MAKER SAFETY

Your safety and the safety of others are very important.

We have provided many important safety messages in this manual and on your appliance. Always read and obey all safety messages.



This is the safety alert symbol.

This symbol alerts you to potential hazards that can kill or hurt you and others.

All safety messages will follow the safety alert symbol and either the word "DANGER" or "WARNING."

These words mean:

⚠ DANGER

You can be killed or seriously injured if you don't immediately follow instructions.

⚠ WARNING

You can be killed or seriously injured if you don't follow instructions.

All safety messages will tell you what the potential hazard is, tell you how to reduce the chance of injury, and tell you what can happen if the instructions are not followed.

IMPORTANT SAFETY INSTRUCTIONS

WARNING: To reduce the risk of fire, electric shock, or injury when using your ice maker, follow these basic precautions:

- Plug into a grounded 3 prong outlet.
- Do not remove ground prong.
- Do not use an adapter.
- Do not use an extension cord.
- Disconnect power before cleaning.
- Disconnect power before servicing.
- Replace all parts and panels before operating.
- Use two or more people to move and install ice maker.

SAVE THESE INSTRUCTIONS

INSTALLATION INSTRUCTIONS

Unpack the Ice Maker

⚠ WARNING

Excessive Weight Hazard

Use two or more people to move and install ice maker.

Failure to do so can result in back or other injury.

Cleaning Before Use

After you remove all of the packaging materials, clean the inside of your ice maker before using it. See the cleaning instructions in the "Ice Maker Care" section.

Location Requirements

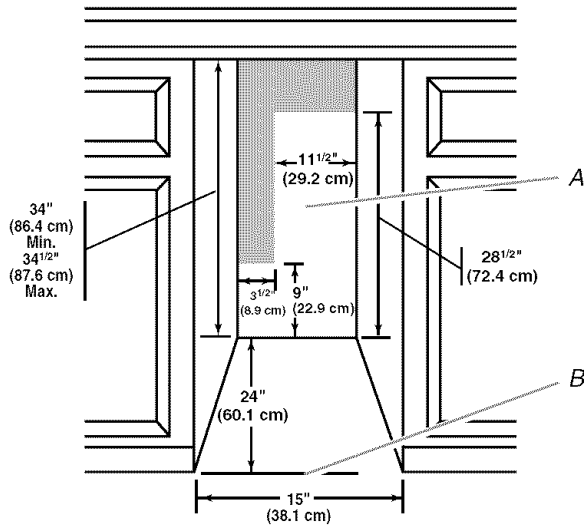
Remove tape and glue from your ice maker before using.

- To remove any remaining tape or glue, rub the area briskly with your thumb. Tape or glue residue can also be easily removed by rubbing a small amount of liquid dish soap over the adhesive with your fingers. Wipe with warm water and dry.
- Do not use sharp instruments, rubbing alcohol, flammable fluids, or abrasive cleaners to remove tape or glue. These products can damage the surface of your ice maker.

- To ensure proper ventilation for your ice maker, the front side must be completely unobstructed. The unit may be closed-in on the top and three sides, but the installation should allow the ice maker to be pulled forward for servicing if necessary.
- Installation of the ice maker requires a cold water supply inlet of ¼" (6.35 mm) OD soft copper tubing with a shutoff valve and either a gravity-drain system or condensate pump to carry the water to an existing drain.
- Choose a well ventilated area with temperatures above 55°F (13°C) and below 100°F (38°C). Best results are obtained between 70°F (21°C) and 90°F (32°C).
- This unit must be installed in an area protected from the elements, such as wind, rain, water spray, or drip.

- When installing the ice maker under a counter, follow the recommended opening dimensions shown. Place electrical and plumbing fixtures in the recommended location as shown.

NOTE: Do not kink or pinch the power supply cord between the ice maker and cabinet.



A. Recommended location for electrical and plumbing fixtures
B. Floor level

- You should choose a location where the floor is even. It is important for the ice maker to be level in order to work properly. If needed, you can adjust the height of the ice maker by changing the height of the leveling legs. See “Leveling.”

Electrical Requirements

⚠ WARNING

Electrical Shock Hazard

Plug into a grounded 3 prong outlet.

Do not remove ground prong.

Do not use an adapter.

Do not use an extension cord.

Failure to follow these instructions can result in death, fire, or electrical shock.

Before you move your ice maker into its final location, it is important to make sure you have the proper electrical connection:

A 115 Volt, 60 Hz., AC only 15-amp electrical supply, properly grounded in accordance with the National Electrical Code and local codes and ordinances, is required.

It is recommended that a separate circuit, serving only your ice maker, be provided. Use a receptacle which cannot be turned off by a switch or pull chain.

Recommended grounding method

For your personal safety, this appliance must be grounded. This appliance is equipped with a power supply cord having a 3 prong grounding plug. To minimize possible shock hazard, the cord must be plugged into a mating, 3 prong, grounding-type wall receptacle, grounded in accordance with the National Electrical Code and local codes and ordinances. If a mating wall receptacle is not available, it is the personal responsibility of the customer to have a properly grounded, 3 prong wall receptacle installed by a qualified electrician.

Water Supply Requirements

A cold water supply with water pressure of between 30 and 120 psi (207 - 827 kPa) is required to operate the ice maker. If you have questions about your water pressure, call a licensed, qualified plumber.

Reverse Osmosis Water Supply

IMPORTANT: The pressure of the water supply coming out of a reverse osmosis system going to the water inlet valve of the ice maker needs to be between 30 and 120 psi (207 - 827 kPa).

If a reverse osmosis water filtration system is connected to your cold water supply, the water pressure to the reverse osmosis system needs to be a minimum of 40 to 60 psi (276 - 414 kPa). The reverse osmosis system must provide 1 gal (3.79L) of water per hour to the ice maker for proper ice maker operation.

If the water pressure to the reverse osmosis system is less than 40 to 60 psi (276 - 414 kPa):

- Check to see whether the sediment filter in the reverse osmosis system is blocked. Replace the filter if necessary.
- Allow the storage tank on the reverse osmosis system to refill after heavy usage.

If you have questions about your water pressure, call a licensed, qualified plumber.

Leveling

It is important for the ice maker to be level in order to work properly. Depending upon where you install the ice maker, you may need to make several adjustments to level it. You may also use the leveling legs to lower the height of the ice maker for undercounter installations.

Tools needed:

Gather the required tools and parts before starting installation.

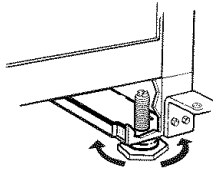
- Carpenter's level
- Adjustable wrench

NOTE: It is easier to adjust the leveling legs if you have another person to assist you.

- Move the ice maker to its final location.

NOTE: If this is a built-in installation, move the ice maker as close as possible to the final location.
- Place a carpenter's level on top of the product to see if the ice maker is level from front to back and side to side.
- Push up on the top front of the ice maker, and then locate the leveling screws that are on the bottom front of the ice maker.
- Using an adjustable wrench, change the height of the legs as follows:
 - Turn the leveling leg to the right to lower that side of the ice maker.
 - Turn the leveling leg to the left to raise that side of the ice maker.

NOTE: The ice maker should not wobble. Use shims to add stability when needed.



5. Push up on the top rear of the ice maker and locate the leveling legs that are on the bottom rear of the ice maker.
6. Follow the instructions in Step 4 to change the height of the legs.
7. Use a carpenter's level to recheck the ice maker to see that it is even from front to back and side to side. If the ice maker is not level, repeat steps 3 to 6. If the ice maker is level, go to the "Connect Water Supply" section.

Connect Water Supply

Read all directions thoroughly before you begin.

IMPORTANT:

- Plumbing shall be installed in accordance with the International Plumbing Code and any local codes and ordinances.
- Use copper tubing and check for leaks.
- Install copper tubing only in areas where temperatures will remain above freezing.

Tools needed:

Gather the required tools and parts before starting installation. Read and follow the instructions provided with any tools listed here.

- Flat-blade screwdriver
- $\frac{7}{16}$ " and $\frac{1}{2}$ " open-end wrenches or two adjustable wrenches
- $\frac{1}{4}$ " nut driver
- $\frac{1}{4}$ " drill bit
- Hand drill or electric drill properly grounded

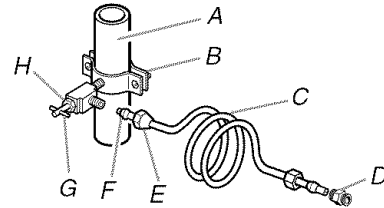
NOTE: Your ice maker dealer has a kit available with a $\frac{1}{4}$ " (6.35 mm) saddle-type shutoff valve, a union, and copper tubing. Before purchasing, make sure a saddle-type valve complies with your local plumbing codes. Do not use a piercing-type or $\frac{3}{16}$ " (4.76 mm) saddle valve which reduces water flow and clogs more easily.

Connecting the water line

1. Turn off main water supply. Turn on nearest faucet long enough to clear line of water.
2. Find a $\frac{1}{2}$ " (12.70 mm) to $1\frac{1}{4}$ " (3.18 cm) vertical cold water pipe near the ice maker.
NOTE: Horizontal pipe will work, but the following procedure must be followed: Drill on the top side of the pipe, not the bottom. This will help keep water away from the drill. This also keeps normal sediment from collecting in the valve.
3. Using a grounded drill, drill a $\frac{1}{4}$ " (6.35 mm) hole in the cold water pipe you have selected.
4. Fasten shutoff valve to cold water pipe with pipe clamp. Be sure outlet end is solidly in the $\frac{1}{4}$ " (6.35 mm) drilled hole in the water pipe and that washer is under the pipe clamp. Tighten packing nut. Tighten the pipe clamp screws slowly and evenly so washer makes a watertight seal. Do not overtighten the pipe clamp or you may crush cold water pipe if it is soft copper tubing. Do not use a piercing-type or $\frac{3}{16}$ " (4.76 mm) saddle-type valve which reduces water flow and clogs more easily.

5. Now you are ready to connect the copper tubing. Use $\frac{1}{4}$ " (6.35 mm) OD soft copper tubing for the cold water supply.

- Ensure that you have the proper length needed for the job. Be sure both ends of the copper tubing are cut square.
- Slip compression sleeve and compression nut on copper tubing as shown. Insert end of tubing into outlet end squarely as far as it will go. Screw compression nut onto outlet end with adjustable wrench. Do not overtighten.



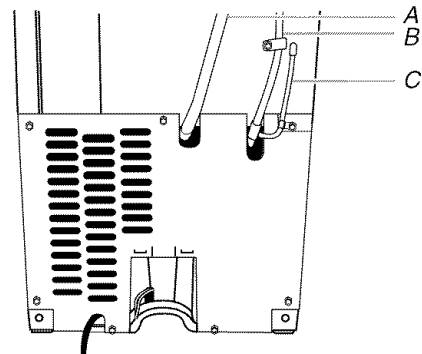
A. Cold water pipe
B. Pipe clamp
C. Copper tubing
D. Coupling (purchased)
E. Compression nut
F. Compression sleeve
G. Shutoff valve
H. Packing nut

6. Place the free end of the tubing into a container or sink, and turn on main water supply and flush out tubing until water is clear. Turn off shutoff valve on the water pipe.

NOTE: Always drain the water line before making the final connection to the inlet of the water valve to prevent possible water valve malfunction.

7. Bend the copper tubing to meet the water line inlet which is located on the back of the ice maker cabinet as shown.

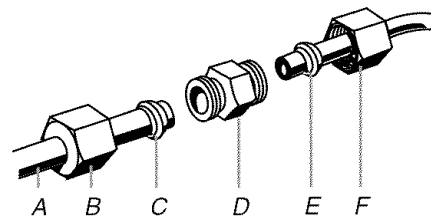
REAR VIEW



A. Drain hose (drain pump models only)
B. Vent hose (drain pump models only)
C. Water supply line

8. Thread the nut onto the coupling on the end of the copper tubing. Tighten the nut by hand. Then tighten it with a wrench two more turns. Do not overtighten.

NOTE: To prevent rattling, be sure the copper tubing does not touch the cabinet's side wall or other parts inside the cabinet.



A. Line to ice maker
B. Nut (purchased)
C. Ferrule (purchased)
D. Coupling (purchased)
E. Ferrule (purchased)
F. Nut (purchased)

9. Turn shutoff valve ON.
10. Check for leaks. Tighten any connections (including connections at the valve) or nuts that leak.

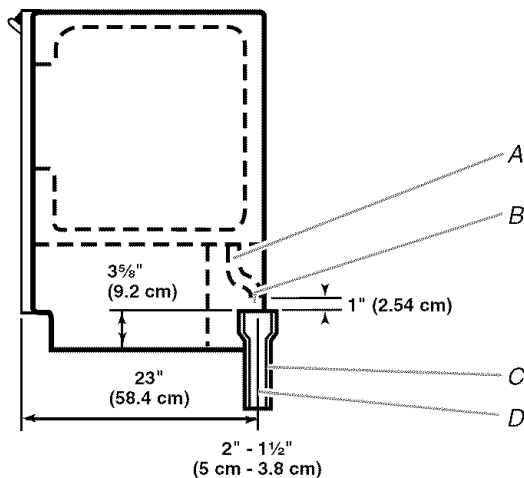
Drain Connection

Gravity Drain System

Connect the ice maker drain to your drain in accordance with all state and local codes and ordinances. If the ice maker is provided with a gravity drain system, follow these guidelines when installing drain lines. This will prevent water from flowing back into the ice maker storage bin and potentially flowing onto the floor causing water damage.

- Drain lines must have a minimum of $\frac{5}{8}$ " (15.88 mm) inside diameter.
- Drain lines must have a 1" drop per 48" (2.54 cm drop per 122 cm) of run or $\frac{1}{4}$ " drop per 12" (6.35 mm per 30.48 cm) of run and must not have low points where water can settle.
- The floor drains must be large enough to accommodate drainage from all drains.
- The ideal installation has a standpipe with a 1½" (3.81 cm) to 2" (5.08 cm) PVC drain reducer installed directly below the outlet of the drain tube as shown. You must maintain a 1" (2.54 cm) air gap between the drain hose and the standpipe.
- It may be desirable to insulate the drain line thoroughly up to the drain inlet.

SIDE VIEW



- A. Drain hose
 B. 1" (2.54 cm) air gap
 C. PVC drain reducer
 D. Center of drain should be 23" (58.4 cm) from front of door, with or without the $\frac{3}{8}$ " (1.91 cm) panel on the door. The drain should also be centered from left to right ($7\frac{5}{16}$ " [18.56 cm] from either side of the ice maker).

Drain Pump System (on some models)

Connect the ice maker drain to your drain in accordance with the International Plumbing Code and any local codes and ordinances.

NOTE: If the drain hose becomes twisted and water cannot drain, your ice maker will not work.

Connecting the Drain

After ensuring that the drain system is adequate, follow these steps to properly place the ice maker:

⚠ WARNING



Electrical Shock Hazard

Plug into a grounded 3 prong outlet.

Do not remove ground prong.

Do not use an adapter.

Do not use an extension cord.

Failure to follow these instructions can result in death, fire, or electrical shock.

1. Plug ice maker into a grounded 3 prong outlet.

⚠ WARNING

Excessive Weight Hazard

Use two or more people to move and install ice maker.

Failure to do so can result in back or other injury.

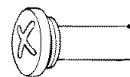
2. **Style 1** - For gravity drain system, push the ice maker into position so that the ice maker drain tube is positioned over the PVC drain reducer. See "Gravity Drain System" earlier in this section. **Style 2** - For drain pump system connect the drain pump outlet hose to the drain. See "Drain Pump System" earlier in this section.
3. Recheck the ice maker to be sure that it is level. See "Leveling."
4. If it is required by your local sanitation code, seal the cabinet to the floor with an approved caulking compound after all water and electrical connections have been made.

Ice Maker Door

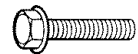
TOOLS NEEDED:

Gather the required tools and parts before starting installation.

- $\frac{5}{16}$ " wrench
- Flat putty knife
- $\frac{1}{4}$ " wrench
- Phillips screwdriver



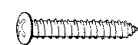
Hinge pin



$\frac{5}{16}$ " Hex-head hinge screw



Handle screw



End Cap screw

Remove Door

1. Unplug ice maker or disconnect power.
2. Remove the handle screws and handle (on some models). Keep the parts together and set them aside.
3. Remove the hinge pin from the top hinge.
4. Remove the door from the hinges and screw the top hinge pin back into the top hinge.
5. Reverse the door end caps as follows:
 - Remove both the screws and end caps (top and bottom).
 - Move the top end cap diagonally to the opposite side's bottom corner, keeping the straight side of the end cap facing the front of the ice maker.
 - Move the bottom end cap diagonally to the opposite side's top corner, keeping the straight side of the end cap facing the front of the ice maker.
6. Set the door aside.

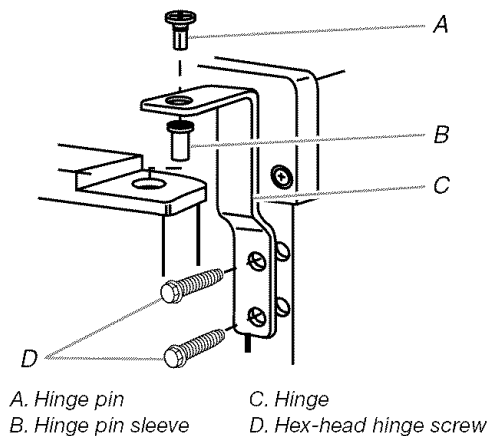
Reverse Hinges

1. Unscrew and remove the top hinge. Replace the screws in the empty hinge holes.
2. Remove the screws from the bottom of the opposite side of the ice maker cabinet. Turn the top hinge upside down so that the hinge pin points up. Place the hinge on the bottom opposite side of the ice maker and tighten screws.
3. Remove the plastic hinge pin sleeve from the "old" bottom hinge and replace it on the new bottom hinge pin.
4. Remove the "old" bottom hinge screws and hinge. Replace the screws in the empty hinge holes.
5. Remove the screws from the top of the opposite side of the ice maker cabinet. Turn the hinge upside down so that the hinge pin points down. Place the hinge on the top opposite side of the ice maker and tighten the screws.
6. Remove the top hinge pin.

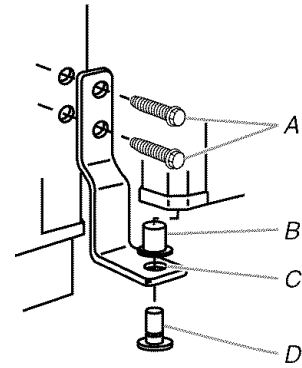
Replace Door

1. Place plastic hinge pin sleeve in the top hinge hole on the door. Align the door with the top hinge hole and replace the top hinge pin.
2. Replace the handle and handle screws.

Top Hinge



Bottom Hinge



A. Hex-head hinge screw
B. Hinge pin sleeve
C. Hinge
D. Hinge pin

Reverse Door Catch

1. Remove the hole plugs from the opposite side of the door and set aside.
2. Remove the screws from the magnetic door catch and replace it on the opposite side of the door.
3. Push the hole plugs into place on the opposite side of the door.
4. Plug in ice maker or reconnect power.

Normal Sounds

Your new ice maker may make sounds that are not familiar to you. Because the sounds are new to you, you might be concerned about them. Most of the new sounds are normal. Hard surfaces such as floors, walls and cabinets can make the sounds seem louder than they actually are. The following describes the kinds of sounds that might be new to you and what may be making them.

- You will hear a buzzing sound when the water valve opens to fill the water reservoir for each cycle.
- Rattling noises may come from the flow of the refrigerant or the water line. Items stored on top of the ice maker can also make noises.
- The high-efficiency compressor may make a pulsating or high pitched sound.
- Water running over the evaporator plate may make a splashing sound.
- Water running from the evaporator plate to the water reservoir may make a splashing sound.
- As each cycle ends, you may hear a gurgling sound due to the refrigerant flowing in your ice maker.
- You may hear air being forced over the condenser by the condenser fan.
- During the harvest cycle, you may hear a "thud" when the ice sheet slides from the evaporator onto the cutter grid.
- When you first start the ice maker, you may hear water running continuously. The ice maker is programmed to run a rinse cycle before it begins to make ice.

ICE MAKER USE

How Your Ice Maker Works

When you first start your ice maker, the water pan will fill and the system will rinse itself before starting to make ice. The rinsing process takes about 5 minutes.

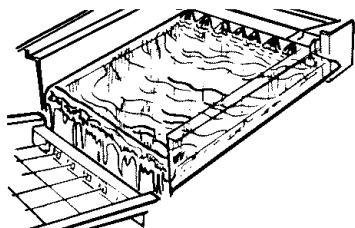
Under normal operating conditions, the ice maker will cycle at preset temperatures. The ice level sensor located in the ice storage bin will monitor the ice levels.

IMPORTANT:

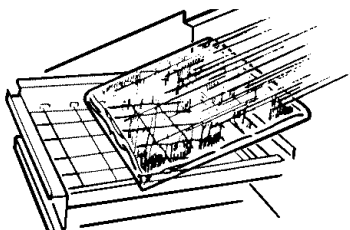
- If the water supply to the ice maker is turned off, be sure to set the ice maker control to OFF.
- The ice maker is designed to make clear ice from the majority of water sources on a daily basis. If your results are unsatisfactory, your water may need to be filtered or treated.

The Ice Making Process

1. Water is constantly circulated over a freezing plate. As the water freezes into ice, the minerals in the water are rejected. This produces a clear sheet of ice with a low mineral content.

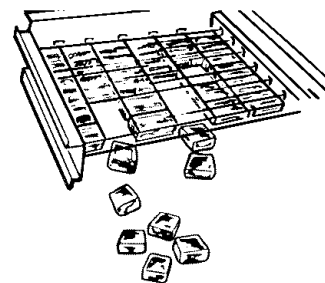


2. When the desired thickness is reached, the ice sheet is released and slides onto a cutter grid. The grid divides the sheet into individual cubes.



3. The water containing the rejected minerals is drained after each freezing cycle.

4. Fresh water enters the machine for the next ice making cycle.
5. Cubes fall into the storage bin. When the bin is full, the ice maker shuts off automatically and restarts when more ice is needed. The ice bin is not refrigerated, and some melting will occur. The amount of melting varies with room temperature.



NOTE: As the room and water temperatures vary, so will the amount of ice produced and stored. This means that higher operating temperatures result in reduced ice production.

Using the Controls

1. To start ice production, press ON. Allow 24 hours to produce the first batch of ice, and discard the first three batches of ice produced.
 - To start the normal ice making cycle, press ON. Press the NORM ICE switch. Normal ice production should produce approximately 25 lbs (11.4 kg) of ice in a 24-hour period.
 - To start the maximum ice production cycle, press ON. Press the TWICE ICE switch. The ice maker will then produce approximately 50 lbs (22.7 kg) of ice in a 24-hour period. This cycle should be selected when you have an upcoming need for a lot of clear, clean ice and the ice bin is low to empty.
2. To stop ice maker operation, press OFF.

2 LEVEL ICE CAPACITY • 3 CYCLE • SELF-CLEANING



NOTE: The CLEAN CYCLE setting is used whenever solutions are circulated through the ice maker for cleaning. Only the water pump and compressor operate at this setting. See "Cleaning."

ICE MAKER CARE

Cleaning

The ice making system and the air cooled condenser need to be cleaned regularly for the ice maker to operate at peak efficiency and to prevent premature failure of system components. See the “Ice Maker System” and the “Condenser” sections.

Exterior Surfaces

Wash the exterior enamel surfaces and gaskets with warm water and mild soap or detergent. Wipe and dry. Regular use of a good household appliance cleaner and wax will help protect the finish. Do not use abrasive cleaners on enamel surfaces as they may scratch the finish.

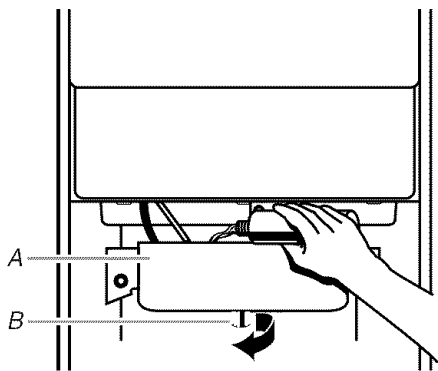
For products with a stainless steel exterior, use a clean sponge or soft cloth and a mild detergent in warm water. Do not use abrasive or harsh cleaners.

Ice Maker System

Minerals that are removed from water during the freezing cycle will eventually form a hard scaly deposit in the water system. Cleaning the system regularly helps remove the mineral scale buildup. How often you need to clean the system depends upon how hard your water is. With hard water of 15 to 20 grains/gal. (4 to 5 grains/liter), you may need to clean the system as often as every 6 months.

NOTE: Use one 16 oz (473 mL) bottle of approved ice maker cleaner. To purchase cleaner please call **1-800-4-MY-HOME® (1-800-469-4663)**.

1. Push the selector switch to OFF.
2. Wait 5 to 10 minutes for the ice to fall into the storage bin. Remove all ice from the storage bin.
3. Unscrew the drain cap from the bottom of the water pan located inside the storage bin as shown. Allow the water to drain completely.
4. Replace the drain cap securely on the water pan. If the drain cap is loose, water will empty from the water pan and you will have either thin ice or no ice.
5. Read and follow all handling information on the cleaner bottle before completing the steps below. Use one 16 oz (473 mL) bottle of approved ice maker cleaner.
6. Pour one bottle of solution into the water pan. Fill the bottle twice with tap water and pour it into the water pan.



A. Water pan
B. Drain cap

7. Push the selector switch to CLEAN. (See the “Using the Controls” section.) The light will turn on, indicating that the cleaning cycle is in process. When the indicator light turns off (approximately 45 minutes), the cleaning cycle is complete. During the cleaning cycle, the system will both clean and rinse itself.
 8. After the cleaning cycle is complete, remove the drain cap from the water pan to see if any cleaning solution is left in the water pan. If cleaning solution drains from the water pan, you should run the clean cycle again. Be sure to replace the drain cap securely on the water pan. If the drain cap is loose, water will empty from the water pan and you will have either thin ice or no ice.
- NOTE:** Severe scale buildup may require repeated cleaning with a fresh quantity of cleaning solution.
9. Push the selector switch to ON to resume ice production.

Condenser

A dirty or clogged condenser:

- Prevents proper airflow.
- Reduces ice making capacity.
- Causes higher than recommended operating temperatures which may lead to component failure.

⚠ WARNING



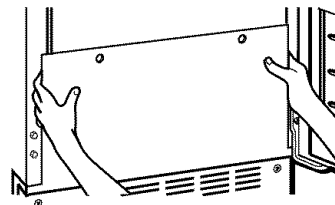
Electrical Shock Hazard

Disconnect power before cleaning.

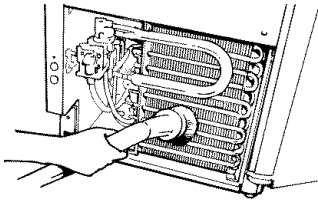
Replace all parts and panels before operating.

Failure to do so can result in death or electrical shock.

1. Unplug ice maker or disconnect power.
2. Remove the two screws in the lower access panel and the two screws from the base grille area of the front panel support. Pull forward to remove the lower access panel.
3. Pull the bottom forward and then pull down to remove the lower access panel.



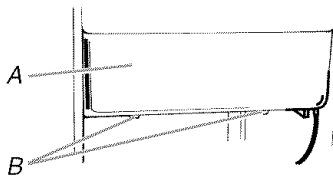
- Remove dirt and lint from the condenser fins and the unit compartment with a brush attachment on a vacuum cleaner.



- Replace the lower access panel using the four screws.
- Plug in ice maker or reconnect power.

Interior Components

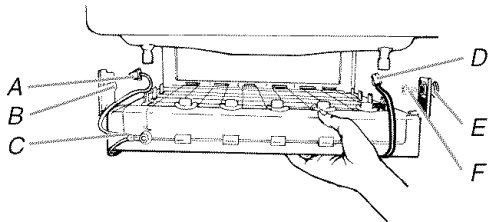
- Unplug ice maker or disconnect power.
- Open the storage bin door and remove any ice that is in the bin.
- Remove the drain cap from the water pan and drain thoroughly. Replace the drain cap securely on the water pan. If the drain cap is loose, water will empty from the water pan, and you will have either thin ice or no ice.
- Remove the two screws that hold the cutter grid cover in place. Remove the cutter grid cover.
- Unplug the wiring harness from the left side of the cutter grid.



A. Cutter grid cover
B. Screws

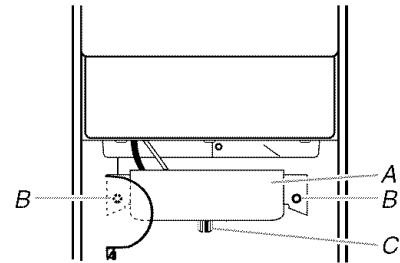
- Unplug the ice level sensor from the right side of the cutter grid. Pull the ice level sensor down and forward away from the cutter grid.
- Remove the right-hand and left-hand screws. Lift the cutter grid up and out.

NOTE: Make sure the plastic spacer from the right-hand side of the cutter grid bracket stays with the cutter grid.



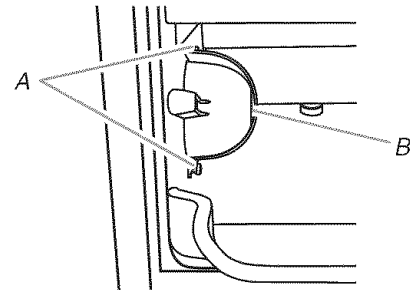
A. Cutter grid Harness
B. Screw
C. Cutter grid
D. Ice level sensor harness
E. Plastic spacer
F. Screw

- Remove the two thumb screws that hold the water pan in place. Push down with one hand on the front of the pan while pulling forward on the bottom back side.



A. Water pan
B. Water pan thumb screws
C. Drain cap

- Remove, clean and replace the ice scoop and ice scoop holder.
 - After removing the ice scoop, remove the holder by removing the two thumb screws.
 - Wash the ice scoop holder along with the other interior components using the following instructions.
 - Replace the ice scoop holder by replacing the thumb screws.



A. Thumb screw
B. Ice scoop holder

- Wash the interior components (cutter grid, exterior of hoses, and water pan) and the storage bin, door gasket, ice scoop, and ice scoop holder with mild soap or detergent and warm water. Rinse in clean water. Then clean the same parts with a solution of 1 tbs (15 mL) of household bleach in 1 gal. (3.8 L) warm water. Rinse again thoroughly in clean water.

NOTE: Do not remove hoses. Do not wash plastic parts in dishwasher. They cannot withstand temperatures above 145°F (63°C).

- Replace water pan by pushing back on the bottom with one hand while pushing up and back on the top. Secure the water pan by replacing both screws.
- Check the following:
 - Drain cap from the water pan is securely in place. If the drain cap is loose, water will empty from the water pan, and you will have either thin ice or no ice.
 - Hose from water pan is inserted into storage bin drain opening.
- Slide the cutter grid back into place and secure it by replacing the right-hand screw and plastic spacer. Then tighten the left-hand screw. Reconnect the cutter grid harness and the ice level sensor harness.
- Replace the cutter grid cover and the two screws.
- Plug in ice maker or reconnect power.

Vacation and Moving Care

⚠ WARNING



Electrical Shock Hazard

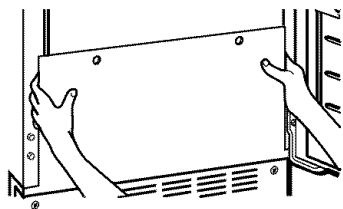
Disconnect power before servicing.

Replace all parts and panels before operating.

Failure to do so can result in death or electrical shock.

To shut down the ice maker:

1. Unplug ice maker or disconnect power.
2. Remove all ice from storage bin.
3. Shut off the water supply.
4. Remove the two screws in the lower access panel and the two screws from the base grille area of the front panel support. Pull forward to remove the lower access panel.



5. Disconnect the inlet and outlet lines to water valve. Allow these lines to drain and then reconnect to the valve.
6. Replace lower access panel and screws.
7. Drain water from water pan by removing the drain cap.
8. If the room temperature will drop below 32°F (0°C), remove water from the drain line.

For ice makers with a drain pump installed:

- Plug in ice maker or reconnect power.
 - Turn ice maker off and remove all remaining ice from ice bin.
 - Pour 1 qt (0.95 L) of water into the ice bin near the drain and let the unit stand for approximately 5 minutes. This will allow the water in the bin to drain into the drain pump so that the pump will remove the remaining water from the ice bin and the drain pump.
 - Unplug ice maker or disconnect power.
9. Before using again, clean the ice maker and storage bin.
 10. Plug into a grounded 3 prong outlet.

NOTE: All components of the ice maker are permanently lubricated at the factory. They should not require any additional oiling throughout the normal life of the machine.

TROUBLESHOOTING

Try the solutions suggested here first in order to avoid the cost of an unnecessary service call.

Ice Maker Operation

Your ice maker will not operate

- **Is the control set to ON?** Be sure that the control is set to ON.
 - **Is the power cord plugged in?** Plug into a grounded 3 prong outlet.
 - **Has a household fuse blown, or has a circuit breaker tripped?** Replace the fuse or reset the circuit breaker.
 - **Is the room temperature cooler than normal?** Room temperature must be above 55°F (13°C). Otherwise, bin thermostat may sense cold room temperature and shut off even though the bin is not full of ice. Also, unit may not restart once it does shut off.
 - **Does the red light come on when the Clean button is pushed?** The ice maker is receiving power but may need cleaning. See “Cleaning.”
 - **Does the ice maker have a drain pump?** If there was a large amount of water added to the ice maker, wait a few minutes for the drain pump to clear. If there is still water in the bin, check to see whether the drain hose is kinked.
-

Ice maker seems noisy

- **Is water being circulated through the ice maker?** This is normal operation. Water is added once per ice-making cycle.
 - **Is the water in the reservoir overflowing?** This is normal. This overflow helps to purge minerals that were removed from the water during the ice making process.
 - **Is there a “whooshing” sound?** Check the following things:
 - Make sure that the water supply is hooked up and turned on.
 - Make sure that the drain cap is tight.
 - **Is there ice between the evaporator plate and the cutting grid?** Check to be sure that the ice maker is level. See “Leveling.” If the ice maker is level, and the problem persists, run a cleaning cycle. See “Cleaning.”
-

Ice Production

Ice maker runs but produces no ice

- **Is the control set to ON?** Be sure that the control is set to ON.
 - **Is the water supply connected?** Make sure the water supply is properly connected and turned on.
 - **Is the drain cap securely in place?** If the drain cap is loose, water will empty from the water pan, and you will have either thin ice or no ice. Tighten the drain cap.
 - **Is there debris in the drain tube?** Clean the drain tube.
 - **Is there a kink in the drain line?** Be sure that there are no kinks in the line.
 - **Is the clean light flashing on and off continually?** Call for service.
-

Ice maker runs but produces very little ice

- **Is the room temperature hotter than normal?** Room temperatures of more than 90°F (32°C) will normally reduce ice production.
 - **Is the condenser dirty?** Dirt or lint may be blocking the airflow through the condenser. See “Cleaning.”
 - **Is there scale buildup in the ice maker?** If there is white scale buildup in the ice maker’s water or freezing system, you should clean the ice maker. See “Cleaning.”
 - **Is the drain cap securely in place?** If the drain cap is loose, water will empty from the water pan, and you will have either thin ice or no ice. Tighten the drain cap if it is loose.
-

Grid is not cutting ice sheets

- **Is the cutter grid securely in place?** Unplug ice maker or disconnect power. Remove the cutter grid cover and check the cutter grid harness plug to make sure the connection is secure. See “Cleaning” for instructions on cutter grid removal.
-

Ice Quality

Off taste, odor or gray color in the ice

- **Is there unusually high mineral content in the water supply?** The water may need to be filtered or treated.
 - **Is there mineral scale buildup?** Clean your ice maker. See “Cleaning.”
 - **Are there food items stored in the ice bin?** Do not store any foods in the ice bin.
 - **Were all the packaging materials removed?** Make sure that all packaging materials were removed at the time of installation.
-

Thin, soft or clumps of ice

- **Is there unusually high mineral content in the water supply?** The water may need to be filtered or treated.
 - **Is there mineral scale buildup?** Clean your ice maker. See “Cleaning.”
 - **Are there clumps of ice in the bin?** If ice is not used regularly it will melt and form clumps. Break the clumps with the ice scoop provided.
-

Plumbing Problems

- **Is the drain hose aligned over the drain?** Move the ice maker to align the drain. See “Connect Water Supply.”

NOTE: Service technicians can not repair plumbing problems outside of the ice maker. Call a licensed, qualified plumber.

PROTECTION AGREEMENTS

In the U.S.A.

Master Protection Agreements

Congratulations on making a smart purchase. Your new Kenmore® product is designed and manufactured for years of dependable operation. But like all products, it may require preventive maintenance or repair from time to time. That's when having a Master Protection Agreement can save you money and aggravation.

Purchase a Master Protection Agreement now and protect yourself from unexpected hassle and expense.

The Master Protection Agreement also helps extend the life of your new product. Here's what's included in the Agreement:

- ✓ **Expert service** by our 12,000 professional repair specialists
- ✓ **Unlimited service and no charge** for parts and labor on all covered repairs
- ✓ **"No-lemon" guarantee** – replacement of your covered product if four or more product failures occur within twelve months
- ✓ **Product replacement** if your covered product can't be fixed
- ✓ **Annual Preventive Maintenance Check** at your request – no extra charge
- ✓ **Fast help by phone** – phone support from a Sears technician on products requiring in-home repair, plus convenient repair scheduling
- ✓ **Power surge protection** against electrical damage due to power fluctuations
- ✓ **Rental reimbursement** if repair of your covered product takes longer than promised

Once you purchase the Agreement, a simple phone call is all that it takes for you to schedule service. You can call anytime day or night, or schedule a service appointment online.

Sears has over 12,000 professional repair specialists, who have access to over 4.5 million quality parts and accessories. That's the kind of professionalism you can count on to help prolong the life of your new purchase for years to come. Purchase your Master Protection Agreement today!

Some limitations and exclusions apply. For prices and additional information, call 1-800-827-6655.

Sears Installation Service

For Sears professional installation of home appliances, garage door openers, water heaters, and other major home items, in the U.S.A. call **1-800-4-MY-HOME®**.

In Canada

Maintenance Agreements

Your purchase has added value because you can depend on Sears HomeCentral® for service. With over 2,400 Service Technicians and more than a million parts and accessories, we have the tools, parts, knowledge and skills to back our pledge: We Service What We Sell.

Your Kenmore® product is designed, manufactured and tested to provide years of dependable operation. But like all products, it may require service from time to time. The Sears Maintenance Agreement offers you an outstanding service program, affordably priced.

The Sears Maintenance Agreement

- Is your way to buy tomorrow's service at today's price
- Eliminates repair bills resulting from normal wear and tear
- Provides phone support from a Sears technician on products requiring in-home repair
- Even if you don't need repairs, provides an annual Preventive Maintenance Check, at your request, to ensure that your product is in proper running condition.

Some limitations apply. For more information about Sears Canada Maintenance Agreements, call 1-800-361-6665.

ÍNDICE

GARANTÍA	14	Uso de los controles.....	21
SEGURIDAD DE LA FÁBRICA DE HIELO	15	CUIDADO DE SU FÁBRICA DE HIELO	22
INSTRUCCIONES DE INSTALACIÓN	15	Limpieza	22
Desempaque el fábrica de hielo	15	Cuidado durante las vacaciones y mudanzas	24
Requisitos de ubicación	16	SOLUCIÓN DE PROBLEMAS	25
Requisitos eléctricos	16	Funcionamiento de la fábrica de hielo	25
Requisitos del suministro de agua	16	Producción de hielo.....	25
Nivelación	17	Calidad del hielo.....	25
Conexión del suministro de agua	17	Problemas de plomería	26
Conexión del desagüe.....	18	CONTRATOS DE PROTECCIÓN	26
Puerta de la fábrica de hielo.....	19	En los EE.UU.	26
Sonidos normales.....	20	En Canadá	26
USO DE SU FÁBRICA DE HIELO	21	NÚMEROS DE SERVICIO	CONTRAPORTADA
Cómo funciona su fábrica de hielo	21		

GARANTÍA DE LOS ELECTRODOMÉSTICOS KENMORE

GARANTÍA LIMITADA DE UN AÑO

Cuando este electrodoméstico haya sido instalado, operado y mantenido según las instrucciones provistas con el producto, si este electrodoméstico falla por defectos de material o de mano de obra dentro de un año a partir de la fecha de compra, llame al 1-800-4-MY-HOME® para gestionar la reparación libre de cargo.

Si este electrodoméstico es empleado para algún otro uso que no sea el doméstico familiar, esta garantía sólo tiene vigencia por 90 días a partir de la fecha de compra.

ESTA GARANTÍA CUBRE SOLAMENTE LOS DEFECTOS DE MATERIAL Y MANO DE OBRA. SEARS NO PAGARÁ POR LO SIGUIENTE:

1. Los artículos no reutilizables que pueden gastarse por el uso normal, incluyendo, pero sin limitación, filtros, correas, focos y bolsas.
2. Un técnico de servicio para enseñarle al usuario cómo instalar, operar o mantener el producto adecuadamente.
3. Un técnico de servicio para limpiar o mantener este producto.
4. Daños a este producto o fallas del mismo en caso de no ser instalado, operado o mantenido conforme a todas las instrucciones provistas con el producto.
5. Daños a este producto o fallas del mismo como resultado de accidente, abuso, uso indebido o un uso diferente de aquel para el cual fue creado.
6. Daños a este producto o fallas del mismo causados por el uso de detergentes, limpiadores, productos químicos o utensilios diferentes de los recomendados en todas las instrucciones provistas con el producto.
7. Daños a piezas o sistemas o fallas de los mismos como resultado de modificaciones no autorizadas que se hayan efectuado en este producto.

EXCLUSIÓN DE GARANTÍAS IMPLÍCITAS; LIMITACIÓN DE RECURSOS

El único y exclusivo recurso del cliente según los términos de esta garantía limitada será el de reparar el producto según se estipula en la presente. Las garantías implícitas, incluyendo las garantías de comerciabilidad o de capacidad para un propósito particular, serán limitadas a un año o al período más corto permitido por ley. Sears no se hará responsable por daños incidentales o consecuentes. Algunos estados y provincias no permiten la exclusión o limitación de daños incidentales o consecuentes, o limitaciones acerca de cuánto debe durar una garantía implícita de comerciabilidad o capacidad, de modo que las limitaciones o exclusiones arriba mencionadas pueden no aplicarse en su caso.

Esta garantía se aplica sólo mientras este electrodoméstico se usa en los Estados Unidos y Canadá.

Esta garantía le otorga derechos legales específicos, y es posible que usted tenga también otros derechos, los cuales varían de un estado a otro.

Sears, Roebuck and Co.

Dept. 817WA, Hoffman Estates, IL 60179

Sears Canada Inc.

Toronto, Ontario, Canada M5B 2B8

REGISTRO DEL PRODUCTO

En el espacio a continuación, anote el número completo de modelo y serie así como la fecha de compra. Usted puede encontrar esta información en la etiqueta con el número de modelo y de serie ubicada en el producto.

Tenga esta información disponible para facilitarle la obtención de asistencia o servicio con prontitud siempre que llame a Sears con respecto a su electrodoméstico.

Número de modelo _____

Número de serie _____

Fecha de compra _____

Guarde estas instrucciones y su comprobante de compra para referencia futura.

SEGURIDAD DE LA FÁBRICA DE HIELO

Su seguridad y la seguridad de los demás es muy importante.

Hemos incluido muchos mensajes importantes de seguridad en este manual y en su electrodoméstico. Lea y obedezca siempre todos los mensajes de seguridad.



Este es el símbolo de advertencia de seguridad.

Este símbolo le llama la atención sobre peligros potenciales que pueden ocasionar la muerte o una lesión a usted y a los demás.

Todos los mensajes de seguridad irán a continuación del símbolo de advertencia de seguridad y de la palabra "PELIGRO" o "ADVERTENCIA". Estas palabras significan:

PELIGRO

Si no sigue las instrucciones **de inmediato**, usted puede morir o sufrir una lesión grave.

ADVERTENCIA

Si no sigue las instrucciones, usted puede morir o sufrir una lesión grave.

Todos los mensajes de seguridad le dirán el peligro potencial, le dirán cómo reducir las posibilidades de sufrir una lesión y lo que puede suceder si no se siguen las instrucciones.

INSTRUCCIONES IMPORTANTES DE SEGURIDAD

ADVERTENCIA: Para reducir el riesgo de incendio, choque eléctrico o lesiones personales al usar la fábrica de hielo, siga estas precauciones básicas:

- Conecte a un contacto de pared de conexión a tierra de 3 terminales.
- No quite el terminal de conexión a tierra.
- No use un adaptador.
- No use un cable eléctrico de extensión.
- Desconecte el suministro de energía antes de limpiarlo.
- Desconecte el suministro de energía antes de darle servicio.
- Vuelva a colocar todos los componentes y paneles antes de hacerlo funcionar.
- Use dos o más personas para mover e instalar la fábrica de hielo.

GUARDE ESTAS INSTRUCCIONES

INSTRUCCIONES DE INSTALACIÓN

Desempaque el fábrica de hielo

ADVERTENCIA

Peligro de Peso Excesivo

Use dos o más personas para mover e instalar la fábrica de hielo.

No seguir esta instrucción puede ocasionar una lesión en la espalda u otro tipo de lesiones.

- Para eliminar los residuos de cinta o goma, frote el área energicamente con su dedo pulgar. Los residuos de la cinta adhesiva o goma también pueden quitarse frotando un poco de detergente líquido para vajillas con los dedos. Limpie con agua tibia y seque.
- No use instrumentos filosos, alcohol para fricciones, líquidos inflamables, o productos de limpieza abrasivos para eliminar los restos de cinta o goma. Estos productos pueden dañar la superficie de su fábrica de hielo.

Limpieza antes del uso

Luego de quitar todos los materiales de empaque, limpie el interior de su fábrica de hielo antes de usarla. Consulte las instrucciones de limpieza en la sección "Cuidado de su fábrica de hielo."

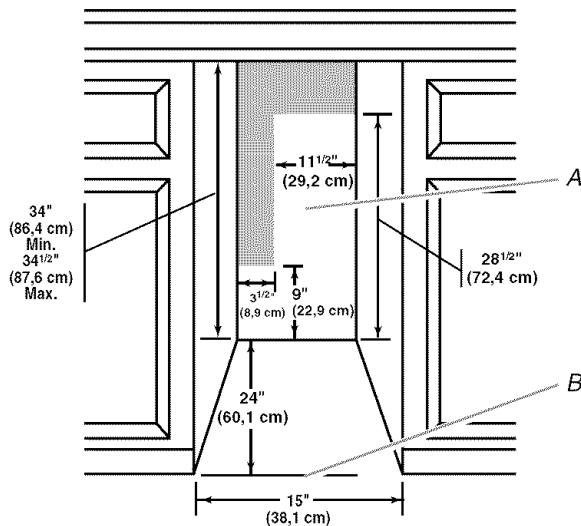
Cómo quitar los materiales de empaque

Quite las cintas y la goma de su fábrica de hielo antes de usarla.

Requisitos de ubicación

- Para asegurar la ventilación adecuada de su fábrica de hielo, la parte del frente debe mantenerse completamente libre de obstrucciones. La parte superior y los tres lados de la unidad pueden estar cerrados, pero la instalación debe ser hecha de manera que la fábrica de hielo pueda ser movida hacia adelante para hacerle el servicio, si fuera necesario.
- La instalación de la fábrica de hielo requiere una entrada de suministro de agua con tubería de cobre blando de ¼" pulg (6,35 mm) de diámetro exterior y una válvula de cierre, así como también un sistema de desagüe por gravedad o una bomba condensadora para llevar el agua a un desagüe ya existente.
- Elija un área bien ventilada con temperaturas por encima de los 55°F (13°C) y por debajo de los 100°F (38°C). Los mejores resultados se logran con temperaturas que oscilan entre 70°F (21°C) y 90°F (32°C).
- Esta unidad DEBE ser instalada en un área protegida de las inclemencias del tiempo, tales como el viento, lluvia, rocío de agua o goteras.
- Cuando instale la fábrica de hielo debajo de un mostrador, siga las dimensiones de abertura recomendadas que se ilustran a continuación. Coloque accesorios eléctricos o de plomería en la zona recomendada como se indica.

NOTA: No deje que el cable eléctrico se tuerza o quede atrapado entre la fábrica de hielo y el gabinete.



A. Zona recomendada para accesorios eléctricos y de plomería.
B. Nivel del piso

- Usted deberá elegir una ubicación donde el piso esté nivelado. Es importante que la fábrica de hielo esté nivelada para su funcionamiento adecuado. De ser necesario, usted puede regular la altura de la fábrica de hielo cambiando la altura de las patas niveladoras. Consulte la sección "Nivelación."

Requisitos eléctricos

⚠ ADVERTENCIA



Peligro de Choque Eléctrico

Conecte a un contacto de pared de conexión a tierra de 3 terminales.

No quite la terminal de conexión a tierra.

No use un adaptador.

No use un cable eléctrico de extensión.

No seguir estas instrucciones puede ocasionar la muerte, incendio o choque eléctrico.

Antes de trasladar la fábrica de hielo a su ubicación final, es importante cerciorarse de que tenga la conexión eléctrica apropiada:

Se requiere un circuito de suministro eléctrico con fusibles de 15 Amp., de 115V, 60 Hz, de CA solamente, conectado adecuadamente a tierra de acuerdo con el Código Nacional de Electricidad y con las normas y códigos locales.

Se recomienda tener un circuito separado que sirva sólo para la fábrica de hielo. Use un receptáculo que no pueda ser desconectado con un interruptor o con un conmutador a cadena.

Método recomendado para la conexión a tierra

Para su seguridad personal este electrodoméstico debe ser conectado a tierra. Este electrodoméstico está equipado con un cable eléctrico provisto de un enchufe de tres terminales conectado a tierra. Para reducir el peligro de posibles choques eléctricos, el cable debe ser enchufado en un contacto apropiado de pared de tres terminales, conectado a tierra de acuerdo con el Código Nacional de Electricidad y con los códigos y normas locales. Si no hubiera un contacto de pared adecuado, el cliente tiene la responsabilidad de contratar a un electricista calificado para instalar un contacto de pared apropiado de tres terminales con conexión a tierra.

Requisitos del suministro de agua

Se necesita un suministro de agua fría con presión de agua entre 30 y 120 lbs/pulg² (207 a 827 kPa) para hacer funcionar la fábrica de hielo. Si usted tiene preguntas acerca de la presión de agua, llame a un plomero competente autorizado.

Suministro de agua de ósmosis inversa

IMPORTANTE: La presión del suministro de agua que sale de un sistema de ósmosis inversa y va a la válvula de entrada de agua de la fábrica de hielo necesitará ser entre 30 y 120 lbs/pulg² (207 a 827 kPa).

Si se conecta un sistema de filtración de agua de ósmosis inversa al suministro de agua fría, la presión de agua al sistema de ósmosis inversa necesitará ser de un mínimo de 40 a 60 lbs/pulg² (276 a 414 kPa). El sistema de osmosis inversa debe suministrar 1 galón (3,79 L) de agua por hora a la fábrica de hielo para que ésta funcione adecuadamente.

Si la presión del agua del sistema de ósmosis inversa es menor de 40 a 60 lbs/pulg² (276 a 414 kPa):

- Fíjese si el filtro de sedimentos en el sistema de ósmosis inversa está bloqueado y reemplácelo si fuera necesario.
- Deje que se vuelva a llenar el tanque de almacenaje del sistema de ósmosis inversa después del uso intenso.

Si tiene preguntas acerca de la presión del agua, llame a un plomero competente autorizado.

Nivelación

Es importante que la fábrica de hielo esté nivelada para que funcione adecuadamente. Dependiendo del lugar donde instale la fábrica de hielo, puede necesitar hacer varios ajustes para nivelarla. También puede usar las patas niveladoras para reducir la altura de la fábrica de hielo para las instalaciones debajo de mostradores.

Herramientas necesarias:

Reúna las herramientas y piezas necesarias antes de comenzar la instalación.

- Nivel de carpintero
- Llave de tuercas ajustable

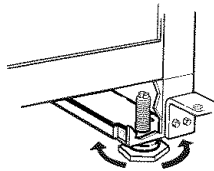
NOTA: Es más fácil ajustar las patas niveladoras si tiene otra persona para ayudarlo.

1. Mueva la fábrica de hielo a su ubicación final.

NOTA: Si ésta es una instalación empotrada, mueva la fábrica de hielo tan cerca de su ubicación final como sea posible.

2. Coloque un nivel de carpintero en la parte superior del producto para ver si la fábrica de hielo está nivelada desde adelante hacia atrás y de lado a lado.
3. Empuje hacia arriba en la parte superior frontal de la fábrica de hielo y luego localice los tornillos niveladores que se encuentran en la parte inferior frontal de la fábrica de hielo.
4. Usando una llave de tuercas ajustable, cambie la altura de las patas de la siguiente manera:
 - Gire la pata niveladora hacia la derecha para bajar ese lado de la fábrica de hielo.
 - Gire la pata niveladora hacia la izquierda para levantar ese lado de la fábrica de hielo.

NOTA: La fábrica de hielo no debe oscilar. Use calzas para agregarle estabilidad cuando sea necesario.



5. Empuje hacia arriba en la parte superior trasera de la fábrica de hielo y localice las patas niveladoras que se encuentran en la parte inferior trasera de la fábrica de hielo.
6. Siga las instrucciones del paso 4 para cambiar la altura de las patas.
7. Use un nivel de carpintero para volver a verificar la fábrica de hielo para ver si está nivelada desde adelante hacia atrás y de lado a lado. Si la fábrica de hielo no está nivelada, repita los pasos del 3 al 6. Si la fábrica de hielo está nivelada, proceda a la sección "Conexión del suministro de agua".

Conexión del suministro de agua

Lea todas las instrucciones a fondo antes de comenzar.

IMPORTANTE:

- Todas las instalaciones de plomería deben efectuarse de conformidad con el código de plomería internacional y los códigos y ordenanzas de plomería locales.
- Use tubería de cobre y revise si hay fugas.
- Instale la tubería de cobre sólo en áreas donde las temperaturas permanezcan encima del punto de congelación.

Herramientas necesarias:

Reúna las herramientas y piezas necesarias antes de comenzar la instalación. Lea y siga las instrucciones provistas con cualquiera de las herramientas enlistadas aquí.

- Destornillador de hoja plana
- Llaves de extremo abierto de 7/16" y 1/2" o dos llaves de tuercas ajustables
- Llave para tuercas de 1/4"
- Broca de barrena de 1/4"
- Taladro manual o taladro eléctrico debidamente conectado a tierra

NOTA: El distribuidor de su fábrica de hielo tiene un juego disponible que consta de una válvula de cierre del tipo montura de 1/4" (6,35 mm), una conexión y tubería de cobre. Antes de comprar, asegúrese de que la válvula del tipo montura cumple con los códigos de plomería locales. No use válvulas del tipo perforado o de montura de 3/16" (4,76 mm), las cuales reducen el flujo de agua y se obstruyen con mayor facilidad.

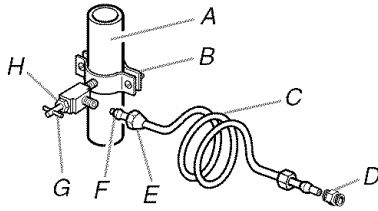
Conexión de la tubería de agua

1. Cierre el suministro principal del agua. Abra el grifo más cercano el tiempo suficiente para limpiar la tubería del agua.
2. Localice un tubo de agua fría vertical de 1/2" (12,70 mm) a 1/4" (3,18 cm) cerca de la fábrica de hielo.

NOTA: Un tubo horizontal también funcionará pero se deberá seguir el siguiente procedimiento: Perfore en el lado superior del tubo, no en la parte inferior. Esto ayudará a mantener el agua lejos de la perforación. También evita que el sedimento normal se acumule en la válvula.

3. Usando un taladro conectado a tierra, perfore un agujero de 1/4" (6,35 mm) en el tubo de agua fría que usted ha seleccionado.
4. Sujete la válvula de cierre al tubo de agua fría empleando la abrazadera para tubería. Asegúrese de que el extremo de salida esté bien encajado en el agujero perforado de 1/4" (6,35 mm) en el tubo de agua y que la arandela esté debajo de la abrazadera del tubo. Ajuste la tuerca de presión. Ajuste los tornillos de la abrazadera del tubo con cuidado y de manera uniforme de modo que la arandela sirva de sello hermético al agua. No ajuste demasiado la abrazadera del tubo, o de lo contrario podría aplastar el tubo de agua fría si se trata de tubería de cobre blando. No use válvulas del tipo perforado o de montura de 3/16" (4,76 mm), las cuales reducen el flujo de agua y se obstruyen con mayor facilidad.
5. Ahora está listo para conectar la tubería de cobre. Use una tubería de cobre blando de 1/4" (6,35 mm) de diámetro de agua fría.
 - Mida desde la conexión al frente de la fábrica de hielo hasta el tubo de agua fría. Cerciórese de que ambos extremos de la tubería de cobre estén cortados en ángulo recto.

- Deslice el manguito de compresión y la tuerca de compresión en la tubería de cobre según se ilustra. Introduzca el extremo de la tubería en el extremo de salida en ángulo recto hasta donde sea posible. Atornille la tuerca de compresión con el extremo de salida usando la llave de tuercas ajustable. No ajuste demasiado.



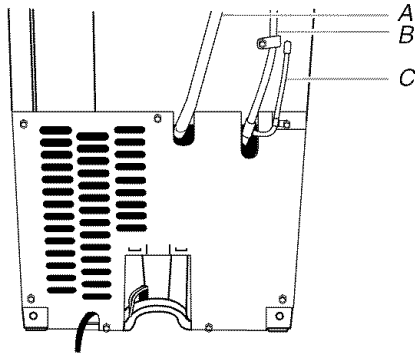
- A. Tubo de agua fría
- B. Abrazadera para tubería
- C. Tubería de cobre
- D. Acoplamiento (comprado)
- E. Tuerca de compresión
- F. Manguito de compresión
- G. Válvula de cierre
- H. Tuerca de presión

- Coloque el extremo libre de la tubería en un recipiente o un fregadero y abra el suministro principal del agua y deje correr el agua por la tubería hasta que el agua salga limpia. Cierre la válvula de cierre del tubo de agua.

NOTA: Siempre desagüe la tubería de agua antes de efectuar la conexión final al orificio de entrada de la válvula de agua para evitar un probable mal funcionamiento de la válvula de agua.

- Doble la tubería de cobre para poder encajar el orificio de entrada de agua, que está ubicado en la parte trasera del gabinete de la fábrica de hielo, según se ilustra.

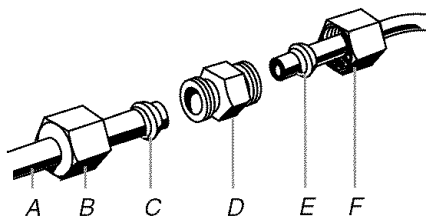
VISTA POSTERIOR



- A. Manguera de desagüe (modelos con bomba de desagüe solamente)
- B. Manguera de ventilación (modelos con bomba de desagüe solamente)
- C. Tubería de suministro de agua

- Enrosque la tuerca provista dentro del acoplamiento en el extremo de la tubería de cobre. Apriete la tuerca con la mano, y luego apriétela con la llave de tuercas ajustable dos giros más. No apriete demasiado.

NOTA: Para evitar ruidos molestos, asegúrese de que la tubería de cobre no toque la pared lateral del gabinete u otras partes dentro del gabinete.



- A. Tubería a la fábrica de hielo
- B. Tuerca (comprada)
- C. Férula (comprada)
- D. Acoplamiento (comprado)
- E. Férula (comprada)
- F. Tuerca (comprada)

- Abra la válvula de cierre.

- Revise si hay fugas. Ajuste las conexiones (incluso las de la válvula) o tuercas que tienen fugas.

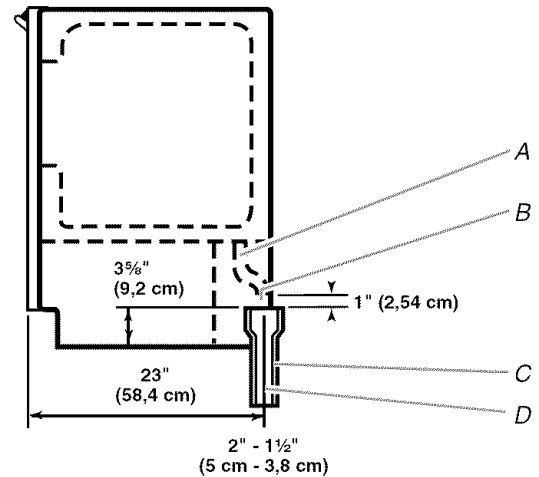
Conexión del desagüe

Sistema de desagüe por gravedad

Conecte la manguera de desagüe de la fábrica de hielo a su desagüe de conformidad con todos los códigos y ordenanzas locales y estatales. Si la fábrica de hielo viene con un sistema de desagüe por gravedad, siga estas directrices cuando instale las líneas de desagüe. Esto evitará que el agua regrese al cajón de almacenaje de la fábrica de hielo y probablemente caiga en el piso ocasionando daños.

- Las líneas de desagüe deben tener un mínimo de 5/8" (15,88 mm) de diámetro interno.
- Las líneas de desagüe deben tener una caída de 1" por cada 48" (2,54 cm por cada 122 cm) de recorrido o 1/4" por cada 12" (6,35 mm por 30,48 cm) y no deben tener puntos bajos donde el agua pueda asentarse.
- Los desagües por el piso deben ser lo suficientemente grandes para acomodar todos los desagües.
- La instalación ideal tiene un tubo vertical con un reductor de desagüe de PVC de 1 1/2" (3,81 cm) a 2" (5,08 cm) instalado directamente debajo del orificio de salida del tubo de desagüe según se ilustra. Usted debe mantener un espacio de aire de 1" (2,54 cm) entre la manguera de la bomba de desagüe y el tubo vertical.
- Sería ideal aislar la línea de desagüe completamente hasta el orificio de entrada del desagüe.

VISTA LATERAL



- A. Manguera de desagüe
- B. Espacio de aire de 1" (2,54 cm)
- C. Reductor de desagüe de PVC
- D. El centro del desagüe debe ser 23" (58,4 cm) desde el frente de la puerta con o sin el panel de 3/4" (1,91 cm) en la puerta. El desagüe debe también estar centrado de izquierda a derecha (7 5/16" [18,56 cm] de cada lado de la fábrica de hielo).

Sistema de la bomba de desagüe (en algunos modelos)

Conecte la manguera de la bomba de desagüe a su desagüe de conformidad con el código de plomería internacional y todos los códigos y ordenanzas locales y estatales.

NOTA: Si la manguera de desagüe se retuerce y el agua no se puede desaguar, la fábrica de hielo no funcionará.

Conexión del desagüe

Luego de asegurarse de que el sistema de desagüe es el adecuado, siga estos pasos para colocar la fábrica de hielo en un lugar apropiado:

⚠ ADVERTENCIA



Peligro de Choque Eléctrico

Conecte a un contacto de pared de conexión a tierra de 3 terminales.

No quite la terminal de conexión a tierra.

No use un adaptador.

No use un cable eléctrico de extensión.

No seguir estas instrucciones puede ocasionar la muerte, incendio o choque eléctrico.

1. Conecte a un contacto de pared de conexión a tierra de 3 terminales.

⚠ ADVERTENCIA

Peligro de Peso Excesivo

Use dos o más personas para mover e instalar la fábrica de hielo.

No seguir esta instrucción puede ocasionar una lesión en la espalda u otro tipo de lesiones.

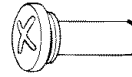
2. **Estilo 1** – Para el sistema de desagüe por gravedad, empuje la fábrica de hielo a su posición de modo que el tubo de desagüe de la fábrica esté ubicado encima del reductor de desagüe de PVC. Vea “Sistema de desagüe por gravedad” anteriormente en esta sección. **Estilo 2** - Para el sistema de bomba de desagüe, conecte la manguera de salida de la bomba al desagüe. Vea “Sistema de bomba de desagüe” anteriormente en esta sección.
3. Vuelva a revisar la fábrica de hielo para asegurarse de que esté nivelada. Consulte la sección “Nivelación.”
4. Si el código de higiene local lo requiere, selle el gabinete al piso con masilla de calafateo aprobada después de haber efectuado todas las conexiones eléctricas y de agua.

Puerta de la fábrica de hielo

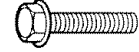
HERRAMIENTAS NECESARIAS:

Reúna las herramientas las herramientas y piezas necesarias antes de comenzar la instalación.

- Llave inglesa de 5/16"
- Llave inglesa de 1/4"
- Espátula
- Destornillador Phillips



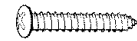
Pasador de bisagra



Tornillo de cabeza hexagonal de 5/16" para bisagra



Tornillo de manija



Tornillo de tope

Sacar la puerta

1. Desenchufe la fábrica de hielo o desconecte el suministro de energía.
2. Saque los tornillos de la manija y la manija (en algunos modelos). Guarde las partes juntas y póngalas aparte.
3. Saque el pasador de la bisagra superior.
4. Saque la puerta de las bisagras y atornille nuevamente el pasador de la bisagra superior en la bisagra superior.
5. Invierta los topes de la puerta como sigue:
 - Saque tanto los tornillos como los topes (superior e inferior).
 - Coloque el tope superior diagonalmente en la esquina de abajo del lado opuesto con el lado plano del tope mirando hacia el frente de la fábrica de hielo.
 - Coloque el tope inferior en la parte diagonalmente en la esquina de arriba del lado opuesto con el lado plano del tope mirando hacia el frente de la fábrica de hielo.
6. Ponga la puerta a un lado.

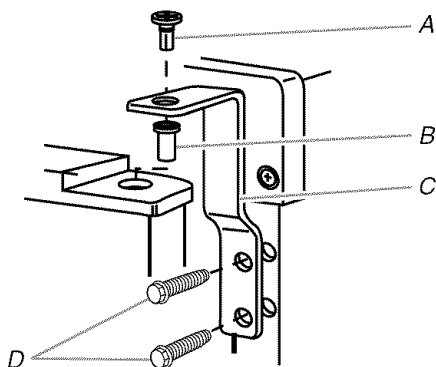
Invertir las bisagras

1. Destornille y saque la bisagra superior. Vuelva a colocar los tornillos en los orificios vacíos de la bisagra.
2. Saque los tornillos de la parte inferior del lado opuesto del gabinete de la fábrica de hielo. Gire la bisagra superior al revés de manera que el pasador de la bisagra apunte hacia arriba. Coloque la bisagra en el lado inferior opuesto de la fábrica de hielo y ajuste los tornillos.
3. Saque la funda plástica del pasador de la bisagra de la bisagra inferior “vieja” y vuelva a colocarla en el nuevo pasador de la bisagra inferior.
4. Saque los tornillos “viejos” de la bisagra inferior y la bisagra. Vuelva a colocar los tornillos en los orificios vacíos de la bisagra.
5. Saque los tornillos de la parte superior del lado opuesto del gabinete de la fábrica de hielo. Gire la bisagra al revés de manera que el pasador de la bisagra apunte hacia abajo. Coloque la bisagra en el lado superior opuesto de la fábrica de hielo y ajuste los tornillos.
6. Saque el pasador de la bisagra superior.

Volver a colocar la puerta

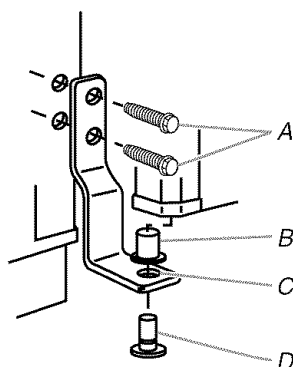
1. Coloque la funda plástica del pasador de la bisagra en el agujero de la bisagra superior en la puerta. Alinee la puerta con el agujero de la bisagra superior y vuelva a colocar el pasador de la bisagra superior.
2. Vuelva a colocar la manija y los tornillos de la manija.

Bisagra superior



- A. Pasador de bisagra
- B. Funda del pasador de bisagra
- C. Bisagra
- D. Tornillo de cabeza hexagonal para bisagra

Bisagra inferior



- A. Tornillo de cabeza hexagonal para bisagra
- B. Funda del pasador de bisagra
- C. Bisagra
- D. Pasador de bisagra

Invertir el seguro de la puerta

1. Saque los tapones de los orificios del lado opuesto de la puerta y déjelos aparte.
2. Saque los tornillos del seguro magnético de la puerta y vuelva a colocarlo en el lado opuesto de la puerta.
3. Empuje los tapones de los orificios a su lugar en el lado opuesto de la puerta.
4. Enchufe la fábrica de hielo o reconecte el suministro de energía.

Sonidos normales

Su fábrica de hielo nueva puede producir algunos sonidos que no le sean familiares. Es posible que usted esté preocupado debido a que se trata de sonidos que no escuchó con anterioridad. La mayor parte de los sonidos nuevos son normales. Las superficies duras, como serían los pisos, paredes y gabinetes pueden hacerlos sonar más fuerte de lo que son realmente. A continuación se describen los tipos de sonidos que pudieran ser nuevos para usted y qué es lo que los produce.

- Cuando la válvula de agua se abre para llenar el depósito de agua para cada ciclo, se pudiera escuchar un zumbido.
- El caudal del refrigerante o de la línea de agua pudiera ocasionar ruidos metálicos. También los artículos que están almacenados encima de la fábrica de hielo pueden producir ruidos.
- El compresor de eficiencia alta pudiera producir un sonido pulsante o agudo.
- El agua corriendo sobre la placa del evaporador pudiera producir un sonido de salpicaduras.
- El agua corriendo de la placa del evaporador hacia el depósito de agua pudiera producir un sonido de salpicaduras.
- Al acercarse el fin del ciclo pudiera escucharse un sonido de borboteo debido al caudal del refrigerante fluyendo en la fábrica de hielo.
- Es posible escuchar un sonido como de aire forzado por el ventilador del condensador por encima del condensador.
- Es posible escuchar un "ruido sordo" durante el ciclo de recolección cuando la capa de hielo se desliza del evaporador hacia la rejilla cortadora.
- Al arrancar la fábrica de hielo por primera vez, se pudiera escuchar agua que fluye continuamente. La fábrica de hielo está programada para ejecutar un ciclo de enjuague antes de iniciar la fabricación del hielo.

USO DE SU FÁBRICA DE HIELO

Cómo funciona su fábrica de hielo

Cuando ponga su fábrica de hielo en marcha por primera vez, la bandeja del agua se llenará y el sistema se enjuagará por sí solo antes de comenzar a elaborar el hielo. El proceso de enjuague tarda unos cinco minutos.

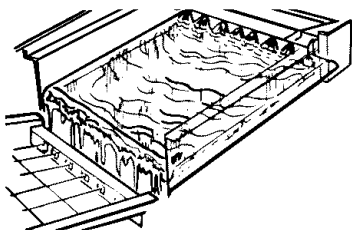
Bajo condiciones normales de funcionamiento, la fábrica de hielo funcionará a las temperaturas prefijadas. El sensor de nivel del hielo ubicado en el cajón de almacenaje del hielo controlará los niveles del hielo.

IMPORTANTE:

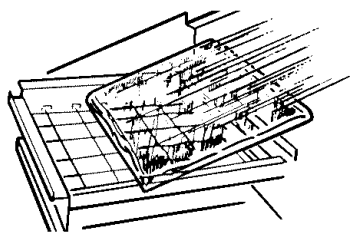
- Si el suministro de agua para la fábrica de hielo está cerrado, asegúrese de colocar el control de la fábrica de hielo en OFF (Apagado).
- La fábrica de hielo está diseñada para elaborar hielo transparente usando la mayoría de fuentes de agua a diario. Si obtiene resultados insatisfactorios, quizás el agua que usa necesite ser filtrada o tratada.

Proceso de elaboración de hielo

1. El agua circula constantemente sobre una placa de congelación. A medida que el agua se congela para convertirse en hielo, los minerales que están en el agua son rechazados. Esto produce una capa de hielo transparente con un bajo contenido de minerales.

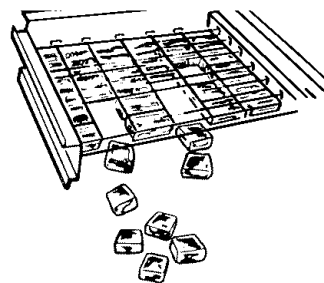


2. Cuando se logra el espesor deseado, la capa de hielo se desprende y se desliza sobre la rejilla de corte. La rejilla divide la capa de hielo en cubos individuales.



3. El agua que contiene los minerales rechazados es drenada después de cada ciclo de congelación.
4. El agua fresca entra en la unidad para ser usada en el siguiente ciclo de elaboración de hielo.

5. Los cubos caen en el cajón de almacenaje. Cuando el cajón está lleno, la fábrica de hielo se apaga automáticamente y vuelve a funcionar cuando se necesita más hielo. El cajón de almacenaje no está refrigerado y una poca cantidad de hielo se derretirá. La cantidad de derretimiento varía según la temperatura ambiente.



NOTA: Así como la temperatura ambiente y del agua varían, la cantidad producida y almacenada de hielo también varía. Esto significa que las temperaturas de funcionamiento más altas resultarán en una reducción de la producción del hielo.

Uso de los controles

1. Para empezar la producción de hielo, seleccione ON (Encendido). Deje transcurrir 24 horas para producir la primera tanda de hielo y deshágase de las tres primeras tandas de hielo producidas.
 - Para empezar el ciclo normal de producción de hielo, seleccione ON. Oprima el interruptor NORM ICE (HIELO NORMAL). La producción normal de hielo deberá rendir aproximadamente 25 libras (11,4 kg) de hielo en un período de 24 horas.
 - Para empezar el ciclo máximo de producción de hielo, seleccione ON. Oprima el interruptor TWICE ICE (DOBLE HIELO). La fábrica de hielo entonces producirá aproximadamente 50 libras (22,7 kg) de hielo en un período de 24 horas. Este ciclo deberá seleccionarse siempre que necesite una gran cantidad de hielo transparente y limpio y la bandeja del hielo esté casi vacía.
2. Para detener el funcionamiento de la fábrica de hielo, oprima OFF.

2 LEVEL ICE CAPACITY • 3 CYCLE • SELF-CLEANING



NOTA: Se usa el ajuste CLEAN CYCLE (CICLO DE LIMPIEZA) siempre que se pongan a circular soluciones para limpieza a través de la fábrica de hielo. En este ajuste funcionan únicamente la bomba de agua y el compresor. Vea "Limpieza."

CUIDADO DE SU FÁBRICA DE HIELO

Limpieza

Para que la fábrica de hielo funcione con máxima eficacia, y para prevenir una falla prematura de los componentes del sistema de elaboración de hielo, éste y el condensador de aire frío necesitan ser limpiados regularmente. Vea las secciones "Sistema de la fábrica de hielo" y "Condensador."

Superficies Exteriores

Lave las superficies exteriores esmaltadas de la unidad y las juntas con agua tibia y jabón o detergente suave. Limpie con un paño y seque. El uso regular de un buen producto para limpieza doméstica y cera ayudarán a proteger el acabado. No use productos de limpieza abrasivos en las superficies esmaltadas ya que pueden rayar el acabado.

Para productos con acabado de acero inoxidable, use una esponja o un trapo suave y un detergente suave en agua tibia. No use limpiadores abrasivos o fuertes.

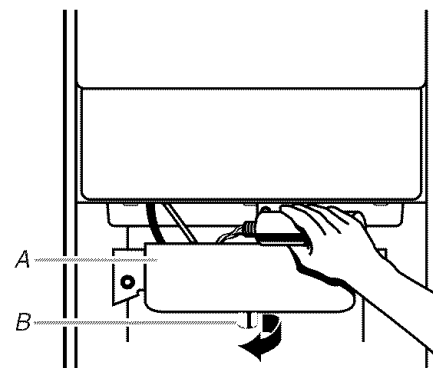
Sistema de la fábrica de hielo

Los minerales que han sido quitados del agua durante el ciclo de congelación, formarán al final un depósito lleno de sarro en el sistema de agua. La limpieza periódica del sistema ayudará a quitar la capa de minerales que se ha formado. La frecuencia de la limpieza depende del grado de dureza del agua. Con agua dura (de 15 a 20 granos por galón [4 a 5 granos por litro]), es posible que se necesite limpiar con una frecuencia de cada 6 meses.

NOTA: Use una botella de 16 oz (473 mL) de limpiador aprobado para fábricas de hielo. Para comprar el limpiador, llame al **1-800-4-MY-HOME® (1-800-469-4663)**.

1. Empuje el interruptor del selector a la posición de apagado (OFF).
2. Espere entre 5 a 10 minutos para que el hielo caiga en el cajón de almacenaje. Quite todo el hielo del cajón de almacenaje.
3. Destornille el tapón de desagüe de la parte inferior de la bandeja del agua ubicada dentro del cajón de almacenaje como se ilustra. Deje que el agua se escurra por completo.
4. Vuelva a colocar el tapón de desagüe bien asegurado en la bandeja de agua. Si el tapón de desagüe está flojo, el agua se vaciará de la bandeja de agua, y usted tendrá hielo fino o no tendrá hielo.
5. Antes de completar los siguientes pasos, lea y siga toda la información sobre el manejo del limpiador que se encuentra en la botella. Use una botella de 16 oz (473 mL) del de limpiador aprobado para fábricas de hielo.

6. Vierta una botella de la solución en la bandeja del agua. Llene la botella dos veces con agua del grifo y viértala en la bandeja del agua.



A. Bandeja de agua
B. Tapón de desagüe

7. Empuje el interruptor del selector a la posición CLEAN (LIMPIEZA). Vea "Uso de los Controles." La luz se encenderá indicando que el ciclo de limpieza está en proceso. Al terminar el ciclo de limpieza (aproximadamente 45 minutos), la luz indicadora se apaga. Durante el ciclo de limpieza, el sistema efectuará automáticamente su limpieza y enjuague.
 8. Luego de haber concluido el ciclo de limpieza, quite el tapón de desagüe de la bandeja del agua para verificar que no hayan residuos de la solución de limpieza en la bandeja del agua. Si la solución de limpieza se filtra de la bandeja del agua, usted deberá repetir el ciclo de limpieza. Cerciórese de volver a colocar el tapón de desagüe bien asegurado en la bandeja de agua. Si el tapón de desagüe está flojo, el agua se vaciará de la bandeja de agua, y usted tendrá hielo fino o no tendrá hielo.
- NOTA:** La gran acumulación de sarro puede requerir la repetición del proceso de limpieza con una solución de limpieza nueva.
9. Empuje el interruptor del selector a ON para reanudar la producción del hielo.

Condensador

Un condensador sucio u obstruido:

- Impide el flujo apropiado de aire.
- Reduce la capacidad de elaboración del hielo.

- Ocasiona temperaturas más altas que las recomendadas, que puede dar lugar a fallas de los componentes.

⚠ ADVERTENCIA



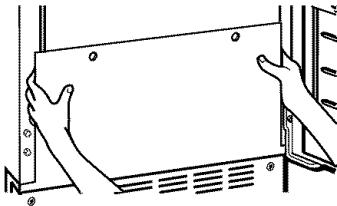
Peligro de Choque Eléctrico

Desconecte el suministro de energía antes de limpiarlo.

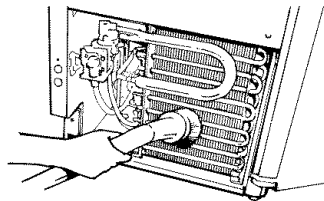
Vuelva a colocar todos los componentes y paneles antes de hacer funcionar.

No seguir estas instrucciones puede ocasionar la muerte o choque eléctrico.

1. Desenchufe la fábrica de hielo o desconecte el suministro de energía.
2. Quite los dos tornillos que están en el panel de acceso inferior y los dos tornillos del área de la rejilla de la base del soporte del panel frontal. Jale hacia adelante para quitar el panel de acceso inferior.
3. Jale la parte inferior hacia adelante y luego hacia abajo para quitar el panel de acceso inferior.



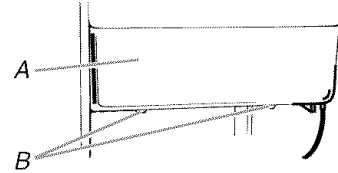
4. Quite la suciedad y pelusa de las aletas del condensador y del compartimiento de la unidad con el cepillo de la aspiradora.



5. Vuelva a colocar el panel de acceso inferior usando los cuatro tornillos.
6. Enchufe la fábrica de hielo o reconecte el suministro de energía.

Piezas interiores

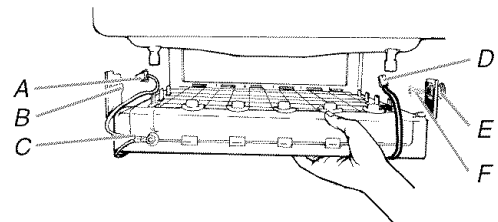
1. Desenchufe la fábrica de hielo o desconecte el suministro de energía.
2. Abra la puerta del cajón de almacenaje y quite el hielo que está en el cajón.
3. Quite el tapón de desagüe de la bandeja del agua y deságüela por completo. Vuelva a colocar el tapón de desagüe bien asegurado en la bandeja de agua. Si el tapón de desagüe está flojo, el agua se vaciará de la bandeja de agua, y usted tendrá hielo fino o no tendrá hielo.
4. Saque los dos tornillos que sujetan la tapa de la rejilla de corte en su lugar y saque la tapa de la rejilla de corte.
5. Desenchufe el arnés eléctrico del lado izquierdo de la rejilla de corte.



A. Tapa de la rejilla de corte
B. Tornillos

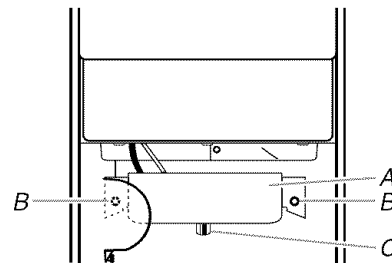
6. Desenchufe el sensor de nivel del hielo del lado derecho de la rejilla de corte. Jale el sensor de nivel del hielo hacia abajo y hacia adelante para separarlo de la rejilla de corte.
7. Quite los tornillos de la mano derecha y de la mano izquierda. Levante la rejilla de corte hacia arriba y hacia afuera.

NOTA: Asegúrese de que el separador de plástico que se encuentra a la mano derecha del soporte de la rejilla de corte permanezca con la rejilla de corte.



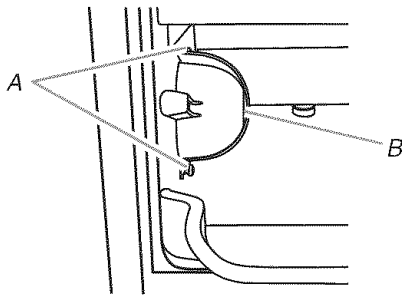
A. Arnés de la rejilla de corte
B. Tornillo
C. Rejilla de corte
D. Arnés del sensor de nivel del hielo
E. Separador de plástico
F. Tornillo

8. Quite los dos tornillos de mariposa que sostienen la bandeja del agua en su lugar. Empuje hacia abajo con una mano en la parte del frente de la bandeja mientras jala hacia adelante el lado posterior inferior.



A. Bandeja de agua
B. Tornillos de mariposa de la bandeja de agua
C. Tapón de desagüe

9. Quite, limpie y vuelva a colocar la pala para el hielo y el soporte de la misma.
- Después de quitar la palita de hielo, retire el soporte removiendo los dos tornillos de mariposa.
 - Lave el soporte de la pala para el hielo junto con las otras piezas interiores usando las siguientes instrucciones.
 - Vuelva a colocar los tornillos de mariposa para instalar nuevamente el soporte de la palita de hielo.



A. Tornillo de mariposa
B. Soporte de la pala para el hielo

10. Lave con jabón o detergente suave y agua tibia las piezas interiores (la rejilla de corte, el exterior de las mangueras y la bandeja del agua) y el cajón de almacenaje, la junta de la puerta, la pala para el hielo y el soporte de la pala para el hielo. Enjuague en agua limpia. Luego limpie las mismas piezas en una solución de una cucharada (15 mL) de blanqueador doméstico mezclado con 1 galón (3,8 L) de agua tibia. Nuevamente enjuáguelas a fondo en agua limpia.

NOTA: No quite las mangueras. No lave las piezas de plástico en la lavavajillas. Éstas no pueden soportar temperaturas superiores a los 145°F (63°C).

11. Vuelva a colocar la bandeja del agua empujando la parte inferior hacia atrás con una mano mientras empuja hacia arriba y hacia atrás la parte superior. Asegure la bandeja del agua volviendo a colocar ambos tornillos.
12. Verifique lo siguiente:
- Que el tapón de desagüe de la bandeja del agua esté bien asegurado en su lugar. Si el tapón de desagüe está flojo, el agua se vaciará de la bandeja de agua, y usted tendrá hielo fino o no tendrá hielo.
 - Que la manguera de la bandeja del agua esté insertada en la abertura de desagüe del cajón de almacenaje.
13. Deslice hacia atrás la rejilla de corte hasta colocarla en su lugar y asegúrela volviendo a colocar el tornillo de la mano derecha y el separador de plástico. Luego ajuste el tornillo de la mano izquierda. Vuelva a conectar los arneses de la rejilla de corte y del sensor de nivel del hielo.
14. Vuelva a colocar la tapa de la rejilla de corte y los dos tornillos.
15. Enchufe la fábrica de hielo o reconecte el suministro de energía.

Cuidado durante las vacaciones y mudanzas

⚠ ADVERTENCIA



Peligro de Choque Eléctrico

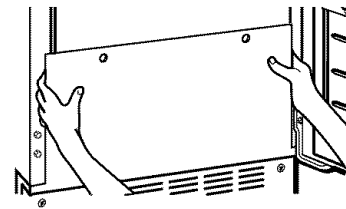
Desconecte el suministro de energía antes de darle mantenimiento.

Vuelva a colocar todos los componentes y paneles antes de hacerlo funcionar.

No seguir estas instrucciones puede ocasionar la muerte o choque eléctrico.

Para apagar la fábrica de hielo:

1. Desenchufe la fábrica de hielo o desconecte el suministro de energía.
2. Quite todo el hielo del recipiente de almacenamiento.
3. Cierre el suministro de agua.
4. Quite los dos tornillos del panel de acceso inferior y los dos tornillos de la zona de la rejilla de la base del soporte del panel frontal. Tire hacia delante para quitar el panel de acceso inferior.



5. Desconecte las líneas de entrada y de salida de la válvula de agua. Deje que esas líneas se desagüen y a continuación vuélvalas a conectar a la válvula.
6. Reponga el panel inferior de acceso y los tornillos.
7. Quite el tapón del desagüe para desaguar el agua de la bandeja de agua.
8. Si se espera que la temperatura ambiente baje de 32°F (0°C), elimine el agua de la línea de desagüe.
Para aquellas fábricas de hielo que tienen instalada una bomba de desagüe:
 - Enchufe la fábrica de hielo o reconecte el suministro de energía.
 - Apague la fábrica de hielo y quite todo el hielo que pudiese haber quedado en el recipiente para hielo.
 - Vierta un cuarto (0,95 L) de agua en el recipiente del hielo cerca del desagüe y deje reposar a la unidad por cerca de cinco minutos. Esta operación permitirá que el agua en el recipiente se desagüe por la bomba de desagüe, de tal manera que la bomba eliminará el agua restante del recipiente del hielo y de la bomba de desagüe.
 - Desenchufe la fábrica de hielo o desconecte el suministro de energía.

9. Limpie la fábrica de hielo y el recipiente de almacenamiento antes de usarla nuevamente.
10. Conecte a un contacto de pared de conexión a tierra de 3 terminales.

NOTA: Todas las piezas de la fábrica de hielo vienen con lubricación permanente desde la fábrica. No deberían requerir lubricación adicional durante todo el ciclo vital de la máquina.

SOLUCIÓN DE PROBLEMAS

Primero pruebe las soluciones sugeridas aquí para evitar el costo innecesario del servicio.

Funcionamiento de la fábrica de hielo

Su fábrica de hielo no funciona

- **¿Se ha fijado el control en ON (Encendido)?** Asegúrese de que el control esté en ON.
- **¿Se ha enchufado el cable de electricidad?** Conecte a un contacto de pared de conexión a tierra de 3 terminales.
- **¿Se quemó un fusible de la casa o se disparó un disyuntor?** Reemplace el fusible o reposicione el circuito.
- **¿Está la temperatura ambiente más fresca de lo normal?** La temperatura ambiente debe estar encima de los 55°F (13°C). De otro modo, el termostato del depósito puede detectar la temperatura ambiente fría y apagar la unidad aún cuando el depósito no está lleno de hielo. Además, es posible que la unidad no vuelva a funcionar nuevamente una vez que haya sido apagada.
- **¿Se enciende la luz roja al presionar el botón de Clean (limpieza)?** La fábrica de hielo recibe energía pero es posible que necesite limpieza. Vea “Limpieza”.
- **¿Tiene la fábrica de hielo una bomba de desagüe?** Si se agregó una gran cantidad de agua a la fábrica de hielo, espere unos minutos para que la bomba de desagüe se despeje. Si todavía queda agua en el depósito, verifique si la manguera de desagüe está retorcida.

La fábrica de hielo parece ser ruidosa

- **¿Circula el agua a través de la fábrica de hielo?** Este es el funcionamiento normal. Se agrega agua por cada ciclo de fabricación de hielo.
- **¿Se está desbordando el agua del depósito?** Esto es normal. Al desbordarse el agua, se eliminan los minerales que se quitaron del agua durante el proceso de fabricación de hielo.
- **¿Se escucha un “zumbido”?** Verifique lo siguiente:
 - Asegúrese de que el suministro de agua esté adecuadamente conectado y abierto.
 - Cerciórese de que la tapa de desagüe esté ajustada.
- **¿Hay hielo entre la placa del evaporador y la rejilla de corte?** Verifique si la fábrica de hielo está nivelada. Vea “Nivelación”. Si la fábrica de hielo está nivelada y el problema continúa, ponga a funcionar un ciclo de limpieza. Vea “Limpieza”.

Producción de hielo

La fábrica de hielo funciona pero no produce hielo

- **¿Se ha fijado el control en ON?** Asegúrese de que el control esté en ON.

- **¿Se ha conectado el suministro de agua?** Asegúrese de que el suministro de agua esté adecuadamente conectado y abierto.
- **¿Se ha colocado la tapa de desagüe segura en su lugar?** Si la tapa de desagüe está floja, el agua se vaciará de la bandeja de agua y usted tendrá hielo delgado o no tendrá hielo. Apriete la tapa de desagüe.
- **¿Hay residuos en el tubo de desagüe?** Limpie el tubo de desagüe.
- **¿Hay un estrechamiento en la línea de desagüe?** Asegúrese de que no haya torceduras en la línea.
- **¿Se enciende y se apaga continuamente la luz de limpieza?** Llame solicitando servicio técnico.

La fábrica de hielo funciona pero produce muy poco hielo

- **¿Está la temperatura ambiente más caliente que lo normal?** La temperatura ambiente superior a 90°F (32°C) por lo general reducirá la producción del hielo.
- **¿Está sucio el condensador?** La suciedad o la pelusa puede estar obstruyendo el flujo de aire a través del condensador. Vea “Limpieza”.
- **¿Se ha acumulado sarro en la fábrica de hielo?** Si hay acumulación blanca de sarro en el sistema de congelación y del agua de la unidad, usted deberá limpiar la fábrica de hielo. Vea “Limpieza”.
- **¿Se ha colocado la tapa de desagüe segura en su lugar?** Si la tapa de desagüe está floja, el agua se vaciará de la bandeja de agua y usted tendrá hielo delgado o no tendrá hielo. Apriete la tapa de desagüe si está floja.

La rejilla de corte no está cortando las capas de hielo.

- **¿Se ha colocado la rejilla de corte segura en su lugar?** Desenchufe la fábrica de hielo o desconecte el suministro de energía. Quite la tapa de la rejilla de corte y revise el enchufe del arnés eléctrico de la rejilla de corte para cerciorarse que la conexión esté segura. Vea “Limpieza” para consultar las instrucciones sobre cómo quitar la rejilla de corte.

Calidad del hielo

El hielo tiene mal sabor, mal olor o un color grisáceo

- **¿Hay un contenido alto de minerales en el suministro de agua?** Puede ser necesario filtrar o tratar el agua.
- **¿Se ha formado una capa de minerales?** Limpie su fábrica de hielo. Vea “Limpieza”.
- **¿Se han guardado alimentos en el depósito de hielo?** No guarde alimentos en el depósito de hielo.
- **¿Se quitó todo el material de empaque?** Asegúrese de haber quitado todos los materiales de empaque en el momento de la instalación.

Hielo delgado, blando o aglutinado

- **¿Hay un contenido alto de minerales en el suministro de agua?** Puede ser necesario filtrar o tratar el agua.
 - **¿Se ha formado una capa de minerales?** Limpie su fábrica de hielo. Vea "Limpieza".
 - **¿Hay hielo aglutinado en el depósito?** Si no se usa el hielo regularmente, se derretirá y formará bloques. Rompa los bloques con la palita de hielo provista.
-

Problemas de plomería

- **¿Está alineada la manguera de desagüe sobre el desagüe?** Mueva la fábrica de hielo para alinear el desagüe. Vea "Conexión del suministro de agua".

NOTA: Los técnicos de servicio no pueden reparar los problemas de plomería presentes fuera de la fábrica de hielo. Llame a un plomero competente autorizado.

CONTRATOS DE PROTECCIÓN

En los EE.UU.

Contratos Maestros de Protección

¡Felicitaciones por su inteligente adquisición! Su nuevo producto Kenmore® ha sido diseñado y fabricado para brindarle años de funcionamiento confiable. Pero al igual que todos los productos, puede necesitar mantenimiento preventivo o reparación de vez en cuando. Es allí donde el Contrato Maestro de Protección puede ahorrarle dinero e inconvenientes.

Adquiera un Contrato Maestro de Protección hoy y protéjase contra molestias y gastos inesperados.

El Contrato Maestro de Protección también ayuda a prolongar la vida de su nuevo producto. He aquí lo que se incluye en el Contrato:

- ✓ **Servicio experto** por nuestros 12.000 especialistas en reparación competentes
- ✓ **Servicio ilimitado y gratuito** para repuestos y mano de obra en todas las reparaciones protegidas por el contrato
- ✓ **Garantía "sin disgustos"** - reemplazo de su producto protegido si ocurren cuatro o más fallas del producto en el transcurso de doce meses
- ✓ **Reemplazo del producto** si su producto protegido no puede ser reparado
- ✓ **Revisión Anual de Mantenimiento Preventivo** a solicitud suya - sin costo adicional
- ✓ **Ayuda rápida por teléfono** - asistencia por teléfono a cargo de un técnico de Sears para productos que deban ser reparados en su hogar, además de un horario de reparación conveniente
- ✓ **Protección de sobrevoltaje** contra daños eléctricos debido a fluctuaciones de electricidad
- ✓ **Reembolso de la renta** si la reparación de su producto protegido tarda más de lo prometido

Una vez adquirido el Contrato, tan sólo tiene que llamar para fijar la visita de servicio técnico. Usted puede llamar a cualquier hora, de día o de noche, o fijar una visita técnica en internet.

Sears cuenta con un equipo de más de 12.000 especialistas en reparación competentes, quienes tienen a disposición más de 4,5 millones de piezas y accesorios de calidad. Ése es el tipo de profesionalismo con el que usted puede contar para ayudarlo a prolongar la vida de su nuevo artefacto por muchos años más. ¡Adquiera hoy su Contrato Maestro de Protección!

Se aplican algunas limitaciones y exclusiones. Para obtener precios e información adicional, llame al 1-800-827-6655.

Servicio de Instalación de Sears

Para la instalación profesional de Sears de artefactos electrodomésticos, abridores de puertas de garaje, calentadores de agua y otros artículos importantes de la casa, en los EE.UU. llame al **1-800-4-MY-HOME®**.

En Canadá

Contratos de mantenimiento

Su compra adquiere un nuevo valor ya que usted puede confiar en Sears HomeCentral® para obtener servicio de reparación. Con más de 2.400 especialistas capacitados en reparaciones y acceso a más de un millón de piezas y accesorios, contamos con las herramientas, piezas, conocimiento y la destreza para asegurarnos de respaldar nuestra promesa de que: Reparamos lo que vendemos.

Su producto Kenmore® está diseñado, fabricado y sometido a prueba para proporcionarle años de funcionamiento confiable. No obstante, cualquier producto puede necesitar servicio técnico de vez en cuando. El contrato de mantenimiento Sears le ofrece un programa de servicio excepcional, a un precio accesible.

El contrato de mantenimiento Sears

- Es la manera de comprar el servicio técnico del mañana a precios de hoy
- Elimina las facturas de reparación producidas por el uso normal y el desgaste
- Ofrece apoyo por teléfono a cargo de un técnico de Sears para los productos que deban ser reparados en el hogar
- Aún si usted no necesita reparaciones, proporciona una revisión anual de mantenimiento preventivo a solicitud suya, para asegurarse de que su producto está en condiciones apropiadas de funcionamiento.

Se aplican ciertas restricciones. Para obtener más información referente a los Contratos de mantenimiento de Sears Canada, llame al 1-800-361-6665.

TABLE DES MATIÈRES

GARANTIE	27	Réglage des commandes.....	34
SÉCURITÉ DE LA MACHINE À GLAÇONS	28	ENTRETIEN DE LA MACHINE À GLAÇONS	34
INSTRUCTIONS D'INSTALLATION	28	Nettoyage	34
Déballage de la machine à glaçons	28	Précautions à prendre avant les vacances ou déménagement	37
Exigences d'emplacement	29	DÉPANNAGE	37
Spécifications électriques	29	Fonctionnement de la machine à glaçons	37
Spécifications de l'alimentation en eau.....	29	Production de glaçons	38
Nivellement	30	Qualité des glaçons.....	38
Raccordement de la canalisation d'eau.....	30	Problèmes de plomberie	38
Raccordement au conduit d'évacuation.....	31	CONTRATS DE PROTECTION	39
Porte de la machine à glaçons.....	32	Aux États-Unis.....	39
Sons normaux.....	33	Au Canada.....	39
UTILISATION DE LA MACHINE À GLAÇONS	33	NUMÉROS DE SERVICE	COUVERTURE ARRIÈRE
Fonctionnement de la machine à glaçons	33		

GARANTIE DES APPAREILS MÉNAGERS KENMORE

GARANTIE LIMITÉE DE UN AN

Lorsqu'il est installé, utilisé et entretenu conformément à toutes les instructions fournies avec le produit, si cet appareil ménager fait défaut par suite d'un vice de matériau ou de fabrication au cours de l'année qui suit la date d'achat, composer le 1-800-4-MY-HOME® pour obtenir une réparation gratuite.

Si cet appareil ménager fonctionne à toute autre fin que l'utilisation familiale privée, la présente garantie ne s'appliquera que pendant 90 jours à partir de la date d'achat.

LA PRÉSENTE GARANTIE COUVRE UNIQUEMENT LES VICES DE MATÉRIAUX ET DE FABRICATION. SEARS NE PAIERA PAS POUR :

1. Les pièces courantes qui peuvent s'user suite à une utilisation normale, notamment les filtres, courroies, ampoules et sacs.
2. L'intervention d'un technicien pour montrer à l'utilisateur comment installer, utiliser et entretenir correctement le produit.
3. L'intervention d'un technicien pour nettoyer ou entretenir ce produit.
4. L'endommagement ou les défauts du produit si celui-ci n'est pas installé, utilisé ou entretenu conformément à toutes les instructions fournies avec le produit.
5. L'endommagement ou les défauts du produit résultant d'accident, usage impropre ou abusif ou utilisation autre que pour laquelle il est destiné.
6. L'endommagement ou les défauts du produit causés par l'utilisation de détergents, agents de nettoyage, produits chimiques ou ustensiles autres que ceux recommandés dans toutes les instructions fournies avec le produit.
7. L'endommagement ou les défauts des pièces ou systèmes résultant d'une modification non autorisée faite au produit.

CLAUSE D'EXONÉRATION DE RESPONSABILITÉ AU TITRE DES GARANTIES IMPLICITES; LIMITATION DES RECOURS

Le seul et exclusif recours du client dans le cadre de la présente garantie limitée consiste en la réparation prévue ci-dessus. Les garanties implicites, y compris les garanties applicables de qualité marchande et d'aptitude à un usage particulier, sont limitées à un an ou à la plus courte période autorisée par la loi. Sears n'assume aucune responsabilité pour les dommages fortuits ou indirects. Certains États ou certaines provinces ne permettent pas l'exclusion ou la limitation des dommages fortuits ou indirects, ou la limitation de la durée des garanties implicites de qualité marchande ou d'aptitude à un usage particulier, de sorte que cette exclusion ou limitation peut ne pas être applicable dans votre cas.

Cette garantie s'applique seulement lorsque cet appareil ménager est utilisé aux États-Unis et au Canada.

Cette garantie vous confère des droits juridiques spécifiques et vous pouvez également jouir d'autres droits qui peuvent varier d'un État à l'autre.

Sears, Roebuck and Co.
Dept. 817WA, Hoffman Estates, IL 60179

Sears Canada Inc.
Toronto, Ontario, Canada M5B 2B8

ENREGISTREMENT DU PRODUIT

Dans l'espace ci-dessous, inscrire les numéros de modèle et de série complets et la date d'achat. Vous trouverez ces renseignements sur la plaque signalétique située sur le produit.

Gardez ces renseignements à disposition pour obtenir plus rapidement assistance ou service lorsque vous communiquez avec Sears au sujet de votre appareil ménager.

Numéro de modèle _____

Numéro de série _____

Date d'achat _____

Conservez ces instructions et votre reçu de vente pour référence ultérieure.

SÉCURITÉ DE LA MACHINE À GLAÇONS

Votre sécurité et celle des autres est très importante.

Nous donnons de nombreux messages de sécurité importants dans ce manuel et sur votre appareil ménager. Assurez-vous de toujours lire tous les messages de sécurité et de vous y conformer.



Voici le symbole d'alerte de sécurité.

Ce symbole d'alerte de sécurité vous signale les dangers potentiels de décès et de blessures graves à vous et à d'autres.

Tous les messages de sécurité suivront le symbole d'alerte de sécurité et le mot "DANGER" ou "AVERTISSEMENT". Ces mots signifient :

⚠ DANGER

Risque possible de décès ou de blessure grave si vous ne suivez pas immédiatement les instructions.

⚠ AVERTISSEMENT

Risque possible de décès ou de blessure grave si vous ne suivez pas les instructions.

Tous les messages de sécurité vous diront quel est le danger potentiel et vous disent comment réduire le risque de blessure et ce qui peut se produire en cas de non-respect des instructions.

IMPORTANTES INSTRUCTIONS DE SÉCURITÉ

AVERTISSEMENT : Pour réduire le risque d'incendie, de choc électrique ou de blessures lors de l'utilisation de la machine à glaçons, il convient d'observer certaines précautions élémentaires :

- Brancher sur une prise à 3 alvéoles reliée à la terre.
- Ne pas enlever la broche de liaison à la terre.
- Ne pas utiliser un adaptateur.
- Ne pas utiliser un câble de rallonge.
- Utiliser deux ou plus de personnes pour déplacer et installer la machine à glaçons.
- Déconnecter la source de courant électrique avant le nettoyage.
- Déconnecter la source de courant électrique avant l'entretien.
- Replacer pièces et panneaux avant de faire la remise en marche.

CONSERVEZ CES INSTRUCTIONS

INSTRUCTIONS D'INSTALLATION

Déballage de la machine à glaçons

⚠ AVERTISSEMENT

Risque du poids excessif

Utiliser deux ou plus de personnes pour déplacer et installer la machine à glaçons.

Le non-respect de cette instruction peut causer une blessure au dos ou d'autre blessure.

- Pour enlever ce qui reste du ruban adhésif ou de la colle, frotter la surface vivement avec le pouce. La colle ou l'adhésif qui reste peut être facilement enlevée en frottant une petite quantité de liquide vaisselle sur l'adhésif avec les doigts. Rincer à l'eau tiède et essuyer.
- Ne pas utiliser d'instruments acérés, d'alcool à friction, de liquides inflammables ou de nettoyants abrasifs pour enlever le ruban adhésif ou la colle. Ces produits peuvent endommager la surface de votre machine à glaçons.

Nettoyage avant l'utilisation

Après avoir enlevé tous les matériaux d'emballage, nettoyer l'intérieur de la machine à glaçons avant de l'utiliser. Voir les instructions de nettoyage dans la section "Entretien de la machine à glaçons".

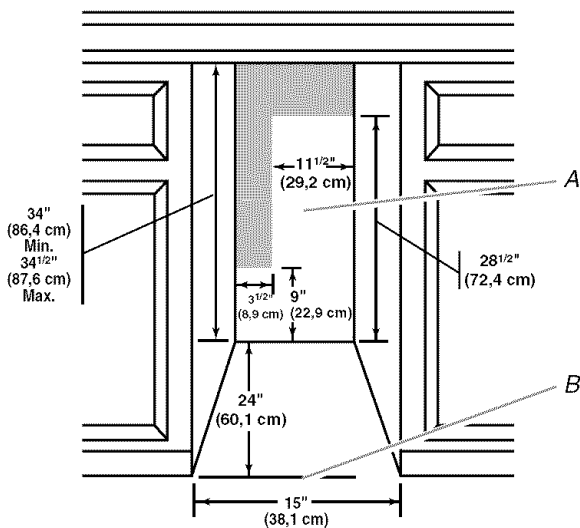
Enlèvement des matériaux d'emballage

Enlever le ruban adhésif et la colle de la machine à glaçons avant de l'utiliser.

Exigences d'emplacement

- Pour assurer une bonne aération de votre appareil, l'avant doit être complètement dégagé. Les autres côtés et le dessus de l'appareil peuvent être dissimulés, mais l'installation doit permettre de tirer la machine à glaçons vers l'avant pour y faire les travaux d'entretien requis.
- Pour installer la machine à glaçons, il faut avoir un tuyau souple d'alimentation en eau froide de 1/4" (6,35 mm) de diamètre extérieur en cuivre avec un robinet et un système de vidange par gravité ou une pompe à condensats pour pousser l'eau vers un drain existant.
- Choisir un endroit bien aéré où la température est supérieure à 55°F (13°C) et inférieure à 100°F (38°C). Pour tirer le meilleur rendement de l'appareil, la température ambiante doit se situer entre 70°F (21°C) et 90°F (32°C).
- Cet appareil DOIT être installé à un endroit protégé contre les éléments, comme le vent, la pluie, les embruns ou les égouttures.
- Lorsque l'appareil est installé sous un comptoir, observer les dimensions d'ouverture indiquées. Placer les composants électriques et de plomberie dans la zone recommandée à l'illustration.

REMARQUE : Il ne faut pas écraser ni pincer le cordon d'alimentation électrique entre l'appareil et l'armoire.



A. Zone recommandée pour les composants électriques et de plomberie
B. Niveau du plancher

- Il est recommandé de choisir un emplacement où le plancher est uniforme. Il est important que la machine à glaçons soit d'aplomb pour bien fonctionner. Au besoin, il est possible de régler la hauteur de la machine à glaçons en changeant la position des pied de nivellement. Voir "Nivellement".

Spécifications électriques

⚠ AVERTISSEMENT



Risque de choc électrique

- Brancher sur une prise à 3 alvéoles reliée à la terre.**
- Ne pas enlever la broche de liaison à la terre.**
- Ne pas utiliser un adaptateur.**
- Ne pas utiliser un câble de rallonge.**
- Le non-respect de ces instructions peut causer un décès, un incendie ou un choc électrique.**

Avant de déplacer la machine à glaçons à sa place définitive, il faut s'assurer que le raccordement électrique a été fait correctement.

Il faut un circuit d'alimentation électrique CA seulement de 115 volts, 60 Hz, de 15 ampères, mis à la terre conformément aux instructions du Code national de l'électricité et des codes et règlements locaux.

Il est recommandé de réserver un circuit spécial à la machine à glaçons. Utiliser une boîte où l'alimentation ne peut pas être coupée à l'aide d'un commutateur ou d'un interrupteur à tirage.

Méthode de mise à la terre recommandée

Pour votre propre sécurité, cet appareil doit être mis à la terre. L'appareil comporte un cordon d'alimentation électrique à trois broches pour la mise à la terre. Pour minimiser les risques de choc électrique, le cordon d'alimentation électrique doit être branché sur une prise de courant murale de configuration, correspondante à trois alvéoles, reliée à la terre conformément au Code national de l'électricité et aux codes et règlements locaux. S'il n'y a pas de prise de courant correspondante, il incombe au client de faire installer une prise de courant murale à trois alvéoles mise à la terre par un électricien qualifié.

Spécifications de l'alimentation en eau

Une alimentation en eau froide avec une pression entre 30 et 120 lb/po² (207 - 827 kPa) est nécessaire pour faire fonctionner le distributeur d'eau et la machine à glaçons. Si vous avez des questions au sujet de la pression de votre eau, appeler un plombier qualifié agréé.

Alimentation en eau par osmose inverse

IMPORTANT : La pression de l'alimentation en eau entre le système d'osmose inverse et la valve d'arrivée d'eau du réfrigérateur doit être entre 30 et 120 lb/po² (207 - 827 kPa).

Si un système de purification de l'eau par osmose inverse est raccordé à votre alimentation en eau froide, la pression de l'eau au système doit être d'un minimum de 40 à 60 lb/po² (276 - 414 kPa).

Si la pression de l'eau au système d'osmose inverse est inférieure à 40 - 60 lb/po² (276 - 414 kPa) :

- Vérifier si le filtre du système d'osmose inverse est bloqué et le remplacer si nécessaire.
- Laisser le réservoir du système d'osmose inverse se remplir après une utilisation intense.

Si vous avez des questions au sujet de la pression de votre eau, appeler un plombier qualifié agréé.

Nivellement

Il est important que la machine à glaçons soit d'aplomb pour bien fonctionner. Selon l'endroit où vous installez la machine à glaçons, vous pourrez avoir à effectuer plusieurs ajustements pour la mettre d'aplomb. Vous pouvez également utiliser les pieds de nivellement pour baisser la hauteur de la machine à glaçons pour les installations sous comptoir.

Outillage nécessaire :

Rassembler les outils et pièces nécessaires avant de commencer l'installation.

- Niveau
- Clé à molette

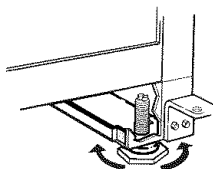
REMARQUE : Il est plus facile d'ajuster les pieds de nivellement si on se fait aider par une autre personne.

1. Déplacer la machine à glaçons à son emplacement final.

REMARQUE : Dans le cas d'une installation encastrée, déplacer la machine à glaçons le plus près possible de son emplacement final.

2. Placer un niveau sur le dessus du produit pour voir si la machine à glaçons est d'aplomb d'avant en arrière et transversalement.
3. Pousser vers le haut sur la partie supérieure avant de la machine à glaçons pour repérer les vis de nivellement qui se trouvent sur le fond avant de la machine à glaçons.
4. Au moyen d'une clé à molette, modifier la hauteur des pieds comme suit :
 - Tourner le pied de nivellement vers la droite pour abaisser ce côté de la machine à glaçons.
 - Tourner le pied de nivellement vers la gauche pour soulever ce côté de la machine à glaçons.

REMARQUE : La machine à glaçons ne devrait pas osciller. Utiliser des cales pour accroître la stabilité au besoin.



5. Pousser vers le haut sur la partie arrière de la machine à glaçons pour repérer les pieds de nivellement qui se trouvent sur le fond arrière de la machine à glaçons.
6. Suivre les instructions de l'étape 4 pour modifier la hauteur des pieds.
7. Utiliser un niveau pour vérifier que la machine à glaçons est d'aplomb d'avant en arrière et transversalement. Si elle n'est pas d'aplomb, répéter les étapes 3 à 6. Si la machine est d'aplomb, passer à la section "Raccordement de la canalisation d'eau".

Raccordement de la canalisation d'eau

Lire complètement toutes les instructions avant de commencer.

IMPORTANT :

- L'installation de la plomberie doit être conforme au Code national de plomberie et respecter les codes locaux de plomberie.
- Utiliser un tuyau en cuivre et vérifier s'il y a des fuites.
- Installer les tuyaux en cuivre seulement là où les températures resteront au-dessus du point de congélation.

Outils requis :

Rassembler les outils et pièces nécessaires avant de commencer l'installation. Lire et suivre les instructions fournies avec les outils indiqués ici.

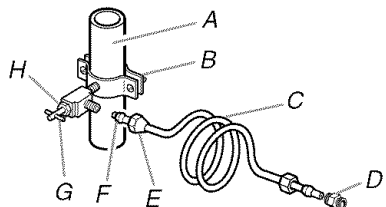
- Tournevis à lame plate
- Clés ouvertes de $\frac{7}{16}$ " et de $\frac{1}{2}$ " ou deux clés à molette
- Tourne-écrou de $\frac{1}{4}$ "
- Mèche perceuse de $\frac{1}{4}$ "
- Perceuse manuelle ou électrique convenablement mise à la terre

REMARQUE : Votre marchand de machine à glaçons a une trousse qui comprend robinet d'arrêt à étrier de $\frac{1}{4}$ " (6,35 mm), un raccord-union et tuyau en cuivre. Avant de faire un achat, s'assurer que le robinet d'arrêt à étrier respecte les codes locaux de plomberie. Ne pas utiliser de robinet d'arrêt à étrier perforant ou de $\frac{3}{16}$ " (4,76 mm) qui réduit le débit d'eau et qui se bouche plus facilement.

Raccordement du tuyau d'eau

1. Couper l'alimentation principale en eau. Ouvrir le robinet le plus proche assez longtemps pour vider l'eau du tuyau.
2. Trouver un tuyau vertical d'alimentation en eau froide de $\frac{1}{2}$ " (12,70 mm) à $1\frac{1}{4}$ " (3,18 cm) à proximité de la machine à glaçons.

REMARQUE : Un conduit horizontal fonctionnera, mais on doit observer le procédé suivant : Percer par le dessus de la canalisation et non pas par le dessous. Ainsi, l'eau ne risquera pas d'arroser la perceuse. Ceci empêche également les sédiments qu'on trouve normalement dans l'eau de s'accumuler dans le robinet d'arrêt.
3. À l'aide d'une perceuse électrique reliée à la terre, percer un trou de $\frac{1}{4}$ " (6,35 mm) dans le tuyau d'alimentation en eau froide que vous avez choisi.
4. Fixer le robinet d'arrêt sur le tuyau d'alimentation en eau à l'aide d'une bride pour tuyau. Il faut s'assurer que l'extrémité de sortie est bien insérée dans le trou de $\frac{1}{4}$ " (6,35 mm) percé dans le tuyau en eau et que la rondelle est placée sous la bride du tuyau. Serrer l'écrou de garniture. Serrer soigneusement et uniformément les vis fixant la bride de tuyau sur le tuyau afin que la rondelle forme un scellement étanche. Ne pas serrer la bride du tuyau à l'excès sans quoi le tuyau d'alimentation en eau froide pourrait être écrasé s'il s'agit d'un tuyau en cuivre mou. Ne pas utiliser un robinet d'arrêt à étrier perforant ou de $\frac{3}{16}$ " (4,76 mm) qui pourrait réduire le débit d'eau et qui se bouche plus facilement.
5. On est maintenant prêt à connecter le tuyau en cuivre. Utiliser un tuyau en cuivre mou de $\frac{1}{4}$ " (6,35 mm) de diamètre extérieur pour l'alimentation en eau froide.
 - S'assurer d'avoir la longueur nécessaire pour le raccordement. Il faut s'assurer que les deux extrémités du tuyau en cuivre sont bien coupées à angle droit.
 - Installer le manchon et l'écrou à compression sur le tuyau en cuivre (voir l'illustration). Insérer l'extrémité du tuyau aussi profondément que possible dans l'extrémité de sortie et à l'équerre. Visser l'écrou à compression sur l'extrémité de la sortie à l'aide d'une clé réglable. Ne pas serrer à l'excès.



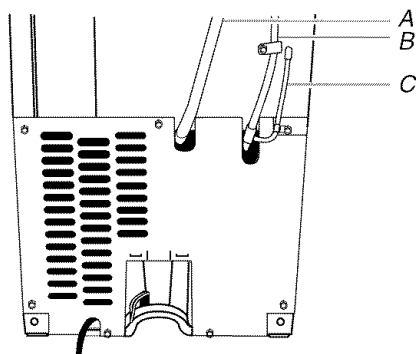
- A. Tuyau d'alimentation en eau froide
 B. Bride
 C. Tuyau en cuivre
 D. Raccord (acheté)
 E. Écrou de compression
 F. Manchon à compression
 G. Robinet d'arrêt
 H. Écrou de la garniture

6. Placer l'extrémité libre du tuyau dans un contenant ou évier et rétablir l'alimentation principale en eau pour nettoyer le tuyau jusqu'à ce que l'eau en sorte claire. Fermer le robinet d'arrêt sur le tuyau d'alimentation en eau.

REMARQUE : Il faut toujours vidanger le tuyau d'alimentation en eau avant de faire le raccordement final sur l'entrée du robinet pour prévenir tout mauvais fonctionnement possible du robinet.

7. Courber le tuyau de cuivre de façon à faire un raccordement sur l'entrée du robinet qui se trouve à l'arrière de la machine à glaçons (voir l'illustration).

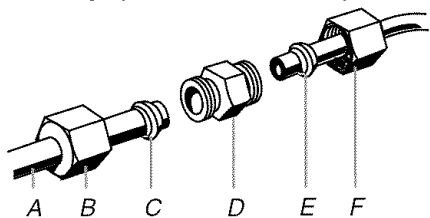
VUE ARRIÈRE



- A. Tuyau de vidange (modèles avec pompe de vidange seulement)
 B. Tuyau de ventilation (modèles avec pompe de vidange seulement)
 C. Tuyau d'alimentation en eau

8. Visser l'écrou dans le raccord à l'extrémité du tuyau en cuivre. Serrer l'écrou manuellement. Ensuite le serrer deux tours de plus avec une clé. Ne pas serrer à l'excès.

REMARQUE : Pour empêcher les bruits de tuyau, il faut s'assurer que les tuyaux en cuivre ne touchent pas le paroi de la machine à glaçons ni d'autres composants intérieurs.



- A. Canalisation jusqu'à la machine à glaçons
 B. Écrou (acheté)
 C. Bague (achetée)
 D. Raccord (acheté)
 E. Bague (achetée)
 F. Écrou (acheté)

9. OUVRIR le robinet d'arrêt.
 10. Vérifier s'il y a des fuites. Serrer tous les raccords (y compris les raccords de la valve) ou les écrous qui coulent.

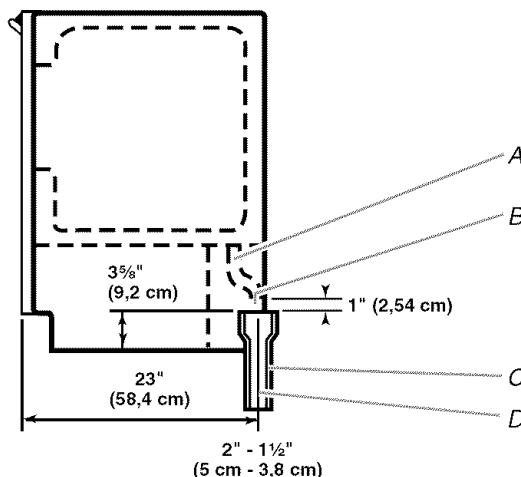
Raccordement au conduit d'évacuation

Vidange par gravité

Il faut raccorder le tuyau de vidange à votre drain de vidange conformément aux codes et règlements locaux et provinciaux. Si la machine à glaçons est fournie avec un drain de vidange par gravité, il faut suivre les instructions ci-dessous lors de l'installation des tuyaux de vidange. Ceci empêchera que l'eau se refoule dans le bac d'entreposage de la machine à glaçons et peut-être même sur le plancher et cause des dommages.

- Les tuyaux de vidange doivent avoir au moins $\frac{5}{8}$ " (15,88 mm) de diamètre intérieur.
- Les tuyaux de vidange doivent avoir une pente de 1" pour chaque 48" (2,54 cm pour chaque 122 cm) de longueur ou une pente de $\frac{1}{4}$ " pour chaque 12" (6,35 mm/30,48 cm) et ne comporter aucun point bas où l'eau pourrait stagner.
- Les drains de vidange de plancher doivent être suffisamment grands pour recevoir l'eau de vidange provenant de toutes sources.
- L'installation idéale a un tuyau de rejet à l'égout avec un réducteur de vidange PVC de $1\frac{1}{2}$ " (3,81 cm) à 2" (5,08 cm) installé directement sous la sortie du tuyau de vidange comme à l'illustration. Il faut maintenir un écart anti-retour de 1" (2,54 cm) entre le tuyau de la pompe de vidange et le tuyau de rejet à l'égout.
- Il sera peut-être souhaitable d'isoler le tuyau de vidange complètement jusqu'à l'entrée du drain de vidange.

VUE LATÉRALE



- A. Tuyau de vidange
 B. Écart anti-retour de 1" (2,54 cm)
 C. Réducteur du drain de vidange PVC
 D. Le centre du drain devrait se trouver à 23" (58,4 cm) du devant de la porte (avec ou sans le panneau de $\frac{3}{4}$ " (1,91 cm) sur la porte). Le drain doit aussi être centré de gauche à droite ($7\frac{5}{16}$ " [18,56 cm] de chaque côté de la machine à glaçons).

Système avec pompe de vidange (sur certains modèles)

Raccorder le tuyau de la pompe de vidange (fournie avec la machine) au drain de vidange conformément au Code international de plomberie et à tous les codes et règlements locaux ou provinciaux.

REMARQUE : Si le tuyau de vidange devient tordu et l'eau ne peut pas se vidanger, votre machine à glaçons ne fonctionnera pas.

Raccordement du conduit d'évacuation

Après avoir vérifié que le système de vidange est adéquat, il faut procéder tel que décrit ci-dessous pour bien mettre la machine à glaçons en place :

⚠ AVERTISSEMENT



Risque de choc électrique

Brancher sur une prise à 3 alvéoles reliée à la terre.

Ne pas enlever la broche de liaison à la terre.

Ne pas utiliser un adaptateur.

Ne pas utiliser un câble de rallonge.

Le non-respect de ces instructions peut causer un décès, un incendie ou un choc électrique.

1. Brancher l'appareil sur une prise à 3 alvéoles reliée à la terre.

⚠ AVERTISSEMENT

Risque du poids excessif

Utiliser deux ou plus de personnes pour déplacer et installer la machine à glaçons.

Le non-respect de cette instruction peut causer une blessure au dos ou d'autre blessure.

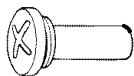
2. **Style 1** – Pour un système de vidange par gravité, pousser la machine à glaçons en position pour que le conduit de vidange soit positionné au-dessus du réducteur de vidange en PVC. Voir "Vidange par gravité" précédemment dans cette section. **Style 2** – Pour le système avec pompe de vidange, connecter le tuyau de sortie de la pompe au drain. Voir "Système avec pompe de vidange" précédemment dans cette section.
3. Vérifier à nouveau la machine à glaçons pour s'assurer qu'elle est bien d'aplomb. Voir la section "Réglage de l'aplomb".
4. Si le code sanitaire local l'exige, sceller la machine sur le plancher à l'aide d'un produit de calfeutrage approuvé une fois que les raccordements d'eau et d'électricité ont été faits.

Porte de la machine à glaçons

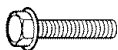
OUTILLAGE NÉCESSAIRE :

Rassembler les outils et pièces nécessaires avant de commencer l'installation.

- Clé de $\frac{5}{16}$ "
- Clé de $\frac{1}{4}$ "
- Couteau à mastic plat
- Tournevis Phillips



Axe



Vis de charnière à tête hexagonale $\frac{5}{16}$ "



Vis de poignée



Vis d'embout

Dépose de la porte

1. Débrancher la machine à glaçons ou déconnecter la source de courant électrique.
2. Ôter les vis de la poignée et la poignée (sur certains modèles). Garder les pièces ensemble et les mettre de côté.
3. Retirer l'axe de la charnière supérieure.
4. Retirer la porte des charnières et revisser l'axe supérieur dans la charnière supérieure.
5. Inverser les embouts de porte comme suit :
 - Ôter les deux vis et embouts (supérieurs et inférieurs).
 - Déplacer l'embout supérieur en diagonale sur le côté inférieur opposé, avec le côté droit face à l'avant de la machine à glaçons.
 - Déplacer l'embout inférieur en diagonale sur le côté supérieur opposé, avec le côté droit face à l'avant de la machine à glaçons.
6. Mettre la porte de côté.

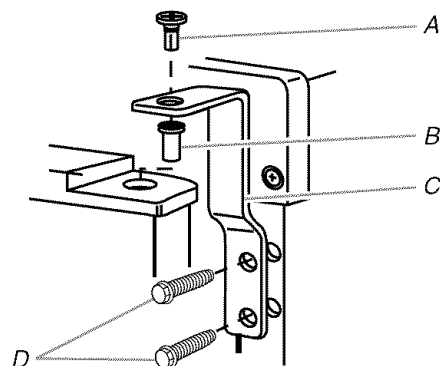
Inversion des charnières

1. Dévisser et enlever la charnière supérieure. Remettre les vis dans les trous de charnière vides.
2. Ôter les vis du bas du côté opposé de la caisse de la machine à glaçons. Inverser la charnière supérieure de telle sorte que l'axe pointe vers le haut. Placer la charnière du côté opposé inférieur de la machine à glaçons et serrer les vis.
3. Enlever la douille de plastique de l'axe de la charnière de la "vieille" charnière inférieure et la replacer sur la nouvelle charnière inférieure.
4. Ôter les vis de la "vieille" charnière inférieure et la charnière. Remettre les vis dans les trous de charnière vides.
5. Ôter les vis du côté supérieur opposé de la caisse de la machine à glaçons. Inverser la charnière de telle sorte que l'axe pointe vers le bas. Placer la charnière du côté opposé supérieur de la machine à glaçons et serrer les vis.
6. Ôter l'axe de la charnière supérieure.

Réinstallation de la porte

1. Placer la douille de plastique de la charnière dans le trou de la charnière supérieure sur la porte. Aligner la porte avec le trou de la charnière supérieure et réinstaller l'axe supérieur.
2. Réinstaller la poignée et les vis de la poignée.

Charnière supérieure

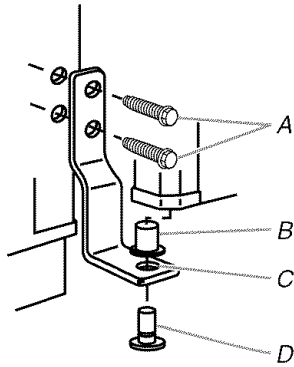


A. Axe de la charnière

B. Douille de l'axe de la charnière

C. Charnière

D. Vis de charnière à tête hexagonale



A. Vis de charnière à tête hexagonale
 B. Douille de l'axe de la charnière
 C. Charnière
 D. Axe de la charnière

UTILISATION DE LA MACHINE À GLAÇONS

Fonctionnement de la machine à glaçons

Lors de la mise en marche initiale de la machine à glaçons, le bac d'eau se remplira et le système se rincera avant de commencer à fabriquer de la glace. Le rinçage prend environ cinq minutes.

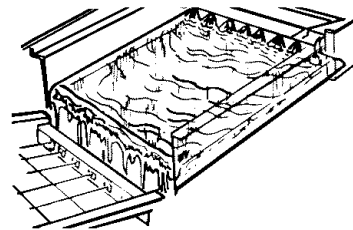
Dans les conditions de fonctionnement normales, la machine à glaçons se mettra en marche à des températures pré-réglées. Le détecteur de niveau de glace dans le bac à glaçons contrôlera les niveaux de glace.

IMPORTANT :

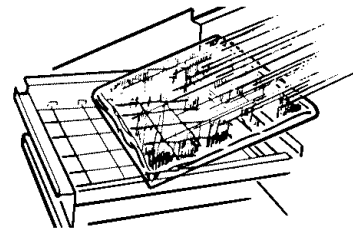
- Si l'alimentation en eau à la machine à glaçons est fermée, s'assurer que la commande de la machine à glaçons est à OFF (arrêt).
- La machine à glaçons est conçue pour fabriquer de la glace transparente de la majorité des sources d'eau sur une base quotidienne. Si les résultats sont insatisfaisants, il faudra peut-être filtrer ou traiter l'eau.

Fabrication de la glace

1. L'eau circule constamment sur un plateau de congélation. Tandis que l'eau se congèle, les minéraux qu'elle contient sont expulsés. Il en résulte une plaque de glace transparente, à faible teneur en minéraux.



2. Une fois qu'elle a atteint l'épaisseur désirée, la plaque de glace se dégage et glisse dans une grille de coupe, où elle est taillée en glaçons.



3. L'eau contenant les déchets minéraux est évacuée après chaque programme de congélation.

Inversion du loquet de porte

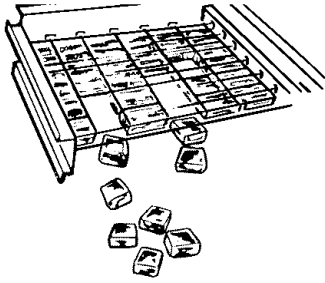
1. Ôter les bouchons de trous du côté opposé de la porte et les conserver.
2. Ôter les vis du loquet de porte magnétique et les réinstaller du côté opposé de la porte.
3. Pousser les bouchons de trous en place du côté opposé de la porte.
4. Brancher la machine à glaçons ou reconnecter la source de courant électrique.

Sons normaux

Il est possible que votre nouvelle machine à glaçons émette des bruits qui ne vous sont pas familiers. Comme ces bruits sont nouveaux, ils peuvent vous inquiéter. La plupart de ces nouveaux bruits sont normaux. Des surfaces dures comme le plancher, les murs et les armoires peuvent faire paraître les bruits plus forts qu'en réalité. Les descriptions suivantes indiquent les genres de bruits qui peuvent être nouveaux pour vous et leur cause.

- Vous entendrez un bourdonnement lorsque la valve d'eau s'ouvre pour remplir le réservoir d'eau pour chaque programme.
- Des vibrations sonores peuvent provenir de l'écoulement du réfrigérant, de la canalisation d'eau ou d'articles placés sur la machine à glaçons.
- Le compresseur à haute efficacité peut produire un son aigu ou de pulsation.
- L'eau coulant sur la plaque d'évaporation peut produire un son d'éclaboussement.
- L'eau coulant de la plaque d'évaporation au réservoir d'eau peut produire un son d'éclaboussement.
- À la fin de chaque programme, vous pouvez entendre un gargouillement attribuable au réfrigérant qui circule dans votre machine à glaçons.
- Vous pouvez entendre de l'air qui est transmis au condenseur par le ventilateur du condenseur.
- Au cours du programme de récolte, vous pouvez entendre un bruit sourd lorsque la plaque de glace glisse de l'évaporateur sur la grille de coupe.
- Lors de la mise en marche initiale de la machine à glaçons, il est possible que vous entendiez l'eau couler continuellement. La machine à glaçons est programmée pour effectuer un programme de rinçage avant de commencer à fabriquer de la glace.

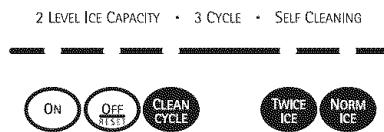
- De l'eau fraîche s'infiltrer de nouveau dans la machine en vue du prochain programme de fabrication de glaçons.
- Les glaçons tombent dans le bac à glaçons. La machine à glaçons s'arrête automatiquement dès que le bac est plein, et elle se remet en marche lorsqu'il faut plus de glaçons. Le bac à glaçons n'est pas réfrigéré et la glace fondra un peu. Le degré de fonte dépend de la température de la pièce.



REMARQUE : Selon les variations de températures de la pièce et de l'eau, la quantité de glace produite et entreposée variera. Ceci signifie que les températures de fonctionnement plus élevées donnent une production de glace réduite.

Réglage des commandes

- Pour commencer le programme de production de glaçons, appuyer sur ON. Accorder 24 heures pour produire la première quantité de glaçons et jeter les trois premières quantités de glaçons produites.
 - Pour commencer le programme de production normale de glaçons, appuyer sur ON. Appuyer sur le commutateur NORM ICE. La production normale de glaçons devrait fournir environ 25 lb (11,4 kg) de glaçons au cours d'une période de 24 heures.
 - Pour commencer le programme de production maximale de glaçons, appuyer sur ON. Appuyer sur le commutateur TWICE ICE. La machine à glaçons produira ensuite environ 50 lb (22,7 kg) de glaçons au cours d'une période de 24 heures. Ce programme devrait être choisi quand vous avez un besoin prochain d'une quantité de glaçons clairs, propres et lorsque le bac à glaçons est de bas à vide.
- Pour arrêter la machine à glaçons, appuyer sur OFF (arrêt).



REMARQUE : Le réglage CLEAN CYCLE (programme de nettoyage) est utilisé lorsqu'on fait circuler des solutions dans la machine à glaçons pour le nettoyage. Seuls la pompe à eau et le compresseur fonctionnent à ce réglage. Voir la section "Nettoyage".

ENTRETIEN DE LA MACHINE À GLAÇONS

Nettoyage

Inspecter et nettoyer périodiquement la machine à glaçons pour qu'elle fonctionne toujours à son efficacité maximum et pour prévenir toute panne prématurée de ses composants. Voir la section "Nettoyage du système de la machine à glaçons" et "Condenseur".

Surfaces extérieures

Laver les surfaces extérieures en émail et les joints étanches avec de l'eau chaude et un savon doux ou un détergent. Essuyer et sécher. L'utilisation régulière d'un bon produit de nettoyage et de cire domestique aidera à protéger la finition. Ne pas utiliser de produits de nettoyage abrasifs sur les surfaces émaillées pour ne pas érafler la finition.

Pour les produits avec surface extérieure en acier inoxydable, utiliser une éponge ou un linge propre et un détergent doux avec de l'eau chaude. Ne pas utiliser de produits de nettoyage abrasifs ou forts.

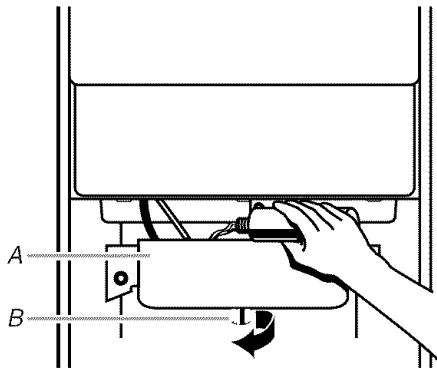
Nettoyage du système de la machine à glaçons

Les minéraux rejetés par la circulation de l'eau pendant la congélation formeront éventuellement un dépôt dur dans le système. Nettoyer périodiquement le système de formation des glaçons aide à enlever les dépôts accumulés de minéraux. La fréquence des nettoyages sera fonction de la dureté de l'eau. Lorsque l'eau est dure (15 à 20 grains/gal. [4 à 5 grains/litre]), vous devrez faire des nettoyages probablement à tous les six mois.

REMARQUE : Utiliser une bouteille de 16 oz (473 mL) de produit de nettoyage approuvé pour la machine à glaçons. Pour le commander, composer le **1-800-4-MY-HOME® (1-800-469-4663)**.

- Placer le sélecteur en position OFF (arrêt).
- Attendre de 5 à 10 minutes que la glace tombe dans le bac d'entreposage. Retirer toute la glace du bac d'entreposage.
- Dévisser le capuchon de vidange du bas du bac à eau situé à l'intérieur du bac d'entreposage tel qu'illustré. Laisser l'eau se vider complètement.
- Réinstaller le capuchon de vidange solidement sur le bac à eau. Si le capuchon de vidange est desserré, l'eau s'écoulera du bac à eau et la glace sera mince ou il n'y aura pas de glace.
- Lire et suivre toutes les instructions d'utilisation apparaissant sur la bouteille avant de suivre les étapes suivantes. Utiliser une bouteille de 16 oz (473 mL) de produit de nettoyage approuvé pour la machine à glaçons.

6. Verser une bouteille de cette solution dans le bac à eau. Remplir la bouteille à deux reprises avec de l'eau du robinet et verser le contenu dans le bac à eau.



A. Bac à eau
B. Capuchon de vidange

7. Placer le sélecteur en position CLEAN (nettoyage). Voir "Utilisation des commandes". Le témoin s'allume pour indiquer que le programme de nettoyage est en cours. Lorsque le témoin indicateur s'éteint (après 45 minutes environ), le cycle de nettoyage est terminé. Pendant le programme de nettoyage, le système se nettoie et se rince.
8. Lorsque le programme de nettoyage est terminé, retirer le capuchon de vidange du bac à eau pour voir s'il reste encore un résidu de solution de nettoyage dans le bac à eau. Si la solution de nettoyage se vidange du bac à eau, recommencer le cycle de nettoyage. Veiller à réinstaller le capuchon de vidange solidement sur le bac à eau. Si le capuchon de vidange est desserré, l'eau s'écoulera du bac à eau et la glace sera mince ou il n'y aura pas de glace.

REMARQUE : Les accumulations importantes de calcaire pourraient nécessiter des nettoyages répétés avec une quantité fraîche de solution de nettoyage.

9. Remettre le sélecteur en position ON pour recommencer la production de glaçons.

Condenseur

Un condenseur sale ou bouché :

- Empêche l'air de bien circuler.
- Réduit la capacité de production des glaçons.

- Entraîne des températures d'utilisation supérieures à celles recommandées, ce qui pourrait entraîner des pannes.

⚠ AVERTISSEMENT



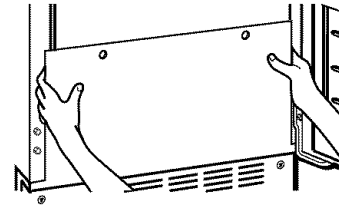
Risque de choc électrique

Déconnecter la source de courant électrique avant le nettoyage.

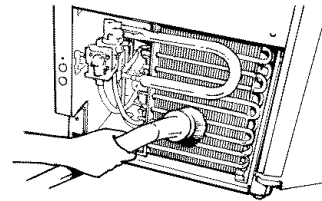
Replacer pièces et panneaux avant de faire la remise en marche.

Le non-respect de ces instructions peut causer un décès ou un choc électrique.

1. Débrancher la machine à glaçons ou déconnecter la source de courant électrique.
2. Retirer les deux vis du panneau d'accès inférieur et les deux vis de la grille de base du support du panneau avant. Tirer vers l'avant pour retirer le panneau d'accès inférieur.
3. Tirer la partie inférieure l'avant, puis tirer vers le bas pour retirer le panneau d'accès inférieur.



4. Retirer la saleté et la charpie déposées sur les ailettes du condenseur et du logement de l'unité de condensation à l'aide de la brosse d'un aspirateur.

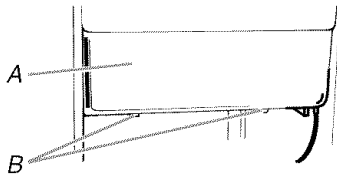


5. Remettre le panneau d'accès inférieur en place et le fixer à l'aide des quatre vis.
6. Brancher la machine à glaçons ou reconnecter la source de courant électrique.

Nettoyage des composants intérieurs

1. Débrancher la machine à glaçons ou déconnecter la source de courant électrique.
2. Ouvrir la porte du bac à glaçons et retirer tout glaçon qui s'y trouve.
3. Retirer le capuchon de vidange du réservoir d'eau et vidanger ce dernier complètement. Réinstaller le capuchon de vidange solidement sur le bac à eau. Si le capuchon de vidange est desserré, l'eau s'écoulera du bac à eau et la glace sera mince ou il n'y aura pas de glace.
4. Ôter les deux vis qui maintiennent le couvercle de la grille de coupe en place et retirer le couvercle de la grille de coupe.

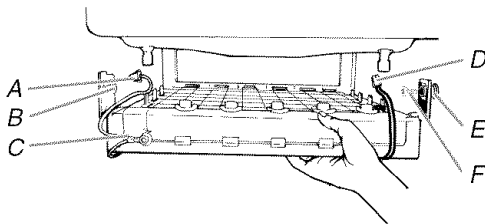
5. Débrancher le faisceau de câblage du côté gauche de la grille de coupe.



A. Couvercle de la grille de coupe
B. Vis

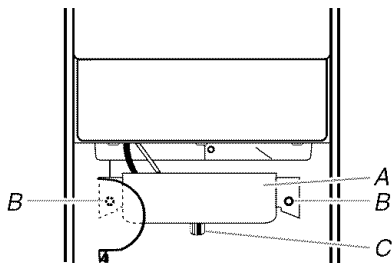
6. Débrancher le détecteur de niveau de glaçons du côté droit de la grille de coupe. Tirer le détecteur de niveau vers le bas et vers l'avant pour l'éloigner de la grille de coupe.
7. Retirer les vis de droite et de gauche. Soulever la grille de coupe et la sortir.

REMARQUE : Il faut s'assurer que la cale d'écartement en plastique du côté droit du support de la grille de coupe suit cette dernière.



A. Faisceau de la grille de coupe
B. Vis
C. Grille de coupe
D. Faisceau du détecteur de niveau de glaçons
E. Cale d'écartement en plastique
F. Vis

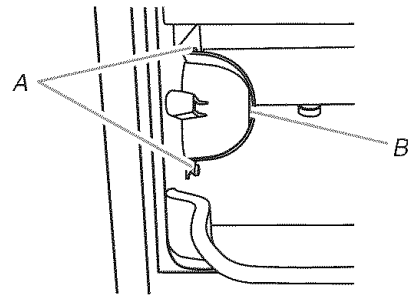
8. Retirer les deux vis à ailette du bac à eau en place. Appuyer avec une main sur l'avant du bac tout en tirant vers l'avant sur le côté arrière inférieur.



A. Bac à eau
B. Vis à ailette du bac à eau
C. Capuchon de vidange

9. Retirer, nettoyer et réinstaller la pelle à glace et son support.
 - Après avoir retiré la pelle à glace, enlever le support en ôtant les deux vis de serrage.
 - Laver le support de la pelle à glace avec les autres composants intérieurs conformément aux instructions suivantes.

- Réinstaller le support de la pelle à glace en réinstallant les vis de serrage.



A. Vis de serrage
B. Support de pelle à glace

10. Laver les composants intérieurs (grille de coupe, l'extérieur des tuyaux et le bac à eau), le bac d'entreposage des glaçons, le joint étanche de la porte et la pelle à glaçons avec de l'eau tiède et un savon ou un détergent doux. Rincer avec de l'eau propre. Nettoyer ensuite ces mêmes composants à l'aide d'une solution comprenant 1 cuillerée à soupe (15 mL) d'agent de blanchiment dans 1 gallon (3,8 L) d'eau tiède. Rincer à nouveau à fond avec de l'eau propre.

REMARQUE : Ne pas retirer les tuyaux. Ne pas laver les composants en plastique au lave-vaisselle. Ces composants ne résistent pas à des températures supérieures à 145°F (63°C).

11. Remettre le bac à eau en place en appuyant sur le fond avec une main tout en poussant vers le haut et vers l'arrière sur le dessus. Fixer le bac à eau en mettant les deux vis en place.
12. Faire les vérifications suivantes :
 - Le capuchon de vidange du bac à eau est solidement en place. Si le capuchon de vidange est desserré, l'eau s'écoulera du bac à eau et la glace sera mince ou il n'y aura pas de glace.
 - Le tuyau provenant du bac à eau est inséré dans l'ouverture de vidange du bac d'entreposage.
13. Glisser la grille de coupe en place et la fixer en remettant la vis du côté droit et la cale d'espacement en plastique. Serrer ensuite la vis du côté gauche. Reconnecter les faisceaux de la grille de coupe et du détecteur de niveau de glaçons.
14. Réinstaller le couvercle de la grille de coupe et les deux vis.
15. Brancher la machine à glaçons ou reconnecter la source de courant électrique.

Précautions à prendre avant les vacances ou déménagement

⚠ AVERTISSEMENT



Risque de choc électrique

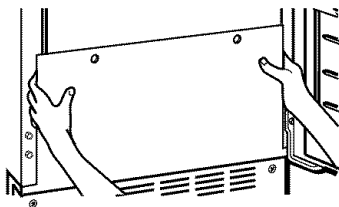
Déconnecter la source de courant électrique avant l'entretien.

Replacer pièces et panneaux avant de faire la remise en marche.

Le non-respect de ces instructions peut causer un décès ou un choc électrique.

Arrêt de la machine à glaçons :

1. Débrancher la machine à glaçons ou déconnecter la source de courant électrique.
2. Enlever tous les glaçons du bac d'entreposage.
3. Interrompre l'arrivée d'eau.
4. Enlever les deux vis du panneau de l'ouverture d'accès inférieure et les deux vis de la grille de la base (support du panneau avant). Tirer vers l'avant pour enlever le panneau de l'ouverture d'accès inférieure.



5. Déconnecter les canalisations d'entrée et sortie sur la vanne à eau. Laisser l'eau s'écouler des canalisations, puis reconnecter les canalisations.
6. Réinstaller le panneau de l'ouverture d'accès inférieure et les vis.
7. Évacuer l'eau du bac à eau (ôter le bouchon de drainage).
8. Si la température de la pièce s'abaissera à moins de 32°F (0°C), éliminer tout résidu d'eau dans le conduit de drainage.

Machine à glaçons avec pompe de drainage :

- Brancher la machine à glaçons ou reconnecter la source de courant électrique.
 - Arrêter la machine à glaçons, et enlever tous les glaçons du bac à glaçons.
 - Verser 1 litre d'eau dans le réceptacle à glaçons près de l'orifice de drainage, et attendre environ cinq minutes. Ceci permettra à l'eau de s'écouler depuis le réceptacle jusqu'à la pompe de drainage pour que la pompe puisse évacuer toute l'eau qui reste dans le bac à glaçons et dans la pompe.
 - Débrancher la machine à glaçons ou déconnecter la source de courant électrique.
9. Avant d'utiliser l'appareil de nouveau, nettoyer la machine à glaçons et le bac à glaçons.
 10. Brancher la machine à glaçons à une prise à 3 alvéoles reliée à la terre.

REMARQUE : Tous les composants de la machine à glaçons ont reçu une lubrification permanente à l'usine. Aucune autre lubrification ne devrait être nécessaire durant la vie normale de la machine.

DÉPANNAGE

Essayer d'abord les solutions suggérées ci-dessous pour éviter le coût d'une visite de service inutile.

Fonctionnement de la machine à glaçons

La machine à glaçons ne fonctionne pas

- **La commande est-elle réglée à ON (marche)?** S'assurer que la commande est réglée à ON (marche).
- **Le cordon d'alimentation est-il branché?** Brancher l'appareil sur une prise à 3 alvéoles reliée à la terre.
- **Un fusible est-il grillé ou le disjoncteur s'est-il déclenché?** Remplacer le fusible ou réenclencher le disjoncteur.
- **La température de la pièce est-elle plus basse que d'habitude?** La température de la pièce doit être supérieure à 55°F (13°C). Sinon, le thermostat du bac peut détecter une température de la pièce basse et s'arrêter même si le bac n'est pas plein de glaçons. L'appareil peut aussi ne pas se remettre en marche une fois qu'il s'éteint.
- **Le témoin rouge s'allume-t-il lorsque le bouton Clean (nettoyage) est enfoncé?** La machine à glaçons est sous tension mais nécessite un nettoyage. Voir "Nettoyage".

- **La machine à glaçons comporte-t-elle une pompe de vidange?** Si une grande quantité d'eau a été ajoutée à la machine à glaçons, attendre quelques minutes pour que la pompe de vidange évacue l'eau. S'il y a de l'eau stagnante dans le bac, vérifier pour voir si le tuyau d'évacuation est déformé.

La machine à glaçons semble bruyante

- **De l'eau circule-t-elle dans la machine à glaçons?** Ceci est le fonctionnement normal. L'eau est ajoutée une fois par cycle de fabrication des glaçons.
- **L'eau dans le réservoir déborde-t-elle?** Ceci est normal. Ce débordement aide à purger les minéraux éliminés de l'eau durant le processus de fabrication des glaçons.

- **Y a-t-il un bruit de “chuintement”?** Vérifier ce qui suit :
 - S'assurer que l'alimentation en eau est correctement raccordée et branchée.
 - S'assurer que le capuchon de vidange est étanche.
- **Y a-t-il de la glace entre la plaque de l'évaporateur et la grille tranchante?** Vérifier que la machine à glaçons est d'aplomb. Voir “Nivellement”. Si la machine à glaçons est d'aplomb mais que le problème persiste, effectuer un programme de nettoyage. Voir “Nettoyage”.

Production de glaçons

La machine à glaçons fonctionne mais ne produit pas de glaçons

- **La commande est-elle réglée à ON (marche)?** S'assurer que la commande est réglée à ON (marche).
- **L'alimentation en eau est-elle raccordée?** S'assurer que l'alimentation en eau est correctement reliée et branchée.
- **Le capuchon de vidange est-il bien en place?** Si le capuchon de vidange est desserré, l'eau s'écoulera du bac à eau et la glace sera mince ou il n'y aura pas de glace. Resserer le capuchon de vidange.
- **Y a-t-il des débris dans le tube de vidange?** Nettoyer le tube de vidange.
- **La canalisation de drainage est-elle déformée?** Vérifier que la canalisation n'est pas déformée.
- **Le témoin de nettoyage clignote-t-il en permanence?** Faire un appel de service.

La machine à glaçons fonctionne mais produit très peu de glaçons

- **La température de la pièce est-elle plus élevée que d'habitude?** Les températures supérieures à 90°F (32°C) réduiront normalement la production de glaçons.
- **Le condensateur est-il sale?** De la saleté ou de la charpie peuvent bloquer le débit d'air passant dans le condensateur. Voir “Nettoyage”.
- **Y a-t-il une accumulation de tartre dans la machine à glaçons?** S'il y a une accumulation blanche de tartre dans le système d'eau ou de congélation de la machine à glaçons, il faut nettoyer l'appareil. Voir “Nettoyage”.
- **Le capuchon de vidange est-il bien en place?** Si le capuchon de vidange est desserré, l'eau s'écoulera du bac à eau et la glace sera mince ou il n'y aura pas de glace. Resserer le capuchon de vidange s'il est desserré.

La grille ne découpe pas les plaques de glace

- **La grille tranchante est-elle bien en place?** Débrancher la machine à glaçons ou déconnecter la source de courant électrique. Ôter le couvercle de la grille tranchante et vérifier la fiche de câblage de la grille tranchante pour être sûr du bon raccordement. Voir “Nettoyage” pour les instructions à ôter le couvercle de la grille tranchante.

Qualité des glaçons

Goût, odeur ou couleur grise des glaçons

- **Y a-t-il une teneur en minéraux anormalement élevée dans l'alimentation en eau?** L'eau peut avoir besoin d'être filtrée ou traitée.
- **Y a-t-il une accumulation de tartre?** Nettoyer la machine à glaçons. Voir “Nettoyage”.
- **Y a-t-il des aliments dans le bac à glaçons?** Ne pas conserver d'aliments dans le bac à glaçons.
- **Tous les matériaux d'emballage ont-ils été enlevés?** S'assurer que tous les matériaux d'emballage ont été enlevés au moment de l'installation.

Glaçons minces, mous ou agglomérés

- **Y a-t-il une teneur en minéraux anormalement élevée dans l'alimentation en eau?** L'eau peut avoir besoin d'être filtrée ou traitée.
- **Y a-t-il une accumulation de tartre?** Nettoyer la machine à glaçons. Voir “Nettoyage”.
- **Les glaçons sont-ils agglomérés dans le bac?** Si les glaçons ne sont pas utilisés régulièrement, ils fondent et forment un agglomérat. Rompre les agglomérats avec la cuiller à glace fournie.

Problèmes de plomberie

- **Le tuyau de vidange est-il aligné au-dessus de l'évacuation?** Déplacer la machine à glaçons pour qu'elle s'aligne avec l'évacuation. Voir “Raccordement de la canalisation d'eau”.

REMARQUE : Les techniciens de service ne peuvent pas réparer les problèmes de plomberie à l'extérieur de la machine à glaçons. Appeler un plombier agréé et qualifié.

CONTRATS DE PROTECTION

Aux États-Unis

Contrats principaux de protection

Nous vous félicitons d'avoir fait un achat judicieux. Votre nouveau produit Kenmore® est conçu et fabriqué pour vous procurer des années de fonctionnement fiable. Mais comme pour tous les produits, il pourra à l'occasion nécessiter un entretien préventif ou une réparation. Le cas échéant, un Contrat principal de protection peut vous épargner de l'argent et des soucis.

Souscrivez dès maintenant un Contrat principal de protection et protégez-vous contre les dépenses et ennuis inattendus.

Le Contrat principal de protection contribue aussi à prolonger la vie utile de votre nouveau produit. Voici ce qui est inclus dans le contrat :

- ✓ **Service expert** par nos 12 000 réparateurs professionnels
- ✓ **Service illimité et sans frais** pour les pièces et la main-d'œuvre pour toutes les réparations couvertes
- ✓ **Garantie "Anti-citron"** - remplacement de votre produit couvert si quatre pannes ou plus se produisent en deçà de douze mois
- ✓ **Remplacement du produit** si votre produit couvert ne peut être réparé
- ✓ **Vérification annuelle d'entretien préventif** sur demande - sans frais supplémentaires
- ✓ **Aide rapide au téléphone** - assistance téléphonique fournie par un technicien de Sears pour les produits réparables à domicile, plus un horaire de réparation commode
- ✓ **Protection contre les sautes de puissance** pour prévenir les dommages attribuables aux fluctuations de courant
- ✓ **Remboursement de location** si la réparation prend plus de temps que promis

Dès que vous souscrivez le Contrat, il suffit d'un simple appel téléphonique pour obtenir un rendez-vous de service. Vous pouvez appeler en tout temps jour et nuit ou prendre un rendez-vous de service en ligne.

Sears compte plus de 12 000 réparateurs professionnels qui ont accès à plus de 4,5 millions de pièces et accessoires de qualité. C'est le genre de professionnalisme sur lequel vous pouvez compter pour aider à prolonger la vie de votre nouvel achat pendant des années. Achetez votre Contrat principal de protection aujourd'hui même!

Certaines limitations et exclusions s'appliquent. Pour des prix et renseignements supplémentaires, composer le 1-800-827-6655.

Service d'installation Sears

Pour l'installation professionnelle par Sears d'appareils ménagers, d'ouvre-portes de garage, de chauffe-eau et d'autres articles importants de la maison, aux É.-U. composer le **1-800-4-MY-HOME®**.

Au Canada

Contrats d'entretien

Votre achat a plus de valeur parce que vous pouvez compter sur Sears HomeCentral® pour le service. Avec plus de 2400 spécialistes formés et l'accès à plus d'un million de pièces et accessoires, nous avons les outils et les pièces ainsi que les connaissances et compétences pour remplir cette promesse que nous vous faisons : Nous assurons le service de nos produits.

Votre produit Kenmore® est conçu, fabriqué et vérifié pour qu'il puisse vous fournir de nombreuses années de service en toute confiance. Cependant, tout produit peut nécessiter des interventions de service de temps à autre. Le contrat d'entretien Sears vous offre un programme de service remarquable à un prix abordable.

Le contrat d'entretien Sears

- Constitue une manière d'acheter un service pour demain au prix d'aujourd'hui
- Élimine les factures pour les réparations imputables à l'usure normale
- Fournit un support téléphonique assuré par un technicien de chez Sears pour les produits nécessitant une réparation à domicile
- Même si vous n'avez pas besoin de réparations, comprend une inspection annuelle d'entretien préventif (sur votre demande) pour maintenir votre appareil en bon état de fonctionnement.

Certaines limitations s'appliquent. Pour plus de renseignements concernant les contrats d'entretien de Sears Canada, composer le 1-800-361-6665.

Get it fixed, at your home or ours!

Your Home

For repair – **in your home** – of **all** major brand appliances, lawn and garden equipment, or heating and cooling systems, **no matter who made it, no matter who sold it!**

For the replacement parts, accessories and owner's manuals that you need to do-it-yourself.

For Sears professional installation of home appliances and items like garage door openers and water heaters.

1-800-4-MY-HOME® (1-800-469-4663)

Call anytime, day or night (U.S.A. and Canada)

www.sears.com www.sears.ca

Our Home

For repair of carry-in items like vacuums, lawn equipment, and electronics, call or go on-line for the location of your nearest **Sears Parts & Repair Center.**

1-800-488-1222

Call anytime, day or night (U.S.A. only)

www.sears.com

To purchase a protection agreement (U.S.A.) or maintenance agreement (Canada) on a product serviced by Sears:

1-800-827-6655 (U.S.A.)

1-800-361-6665 (Canada)

Para pedir servicio de reparación a domicilio, y para ordenar piezas:

1-888-SU-HOGARSM

(1-888-784-6427)

Au Canada pour service en français:

1-800-LE-FOYER^{MC}

(1-800-533-6937)

www.sears.ca

