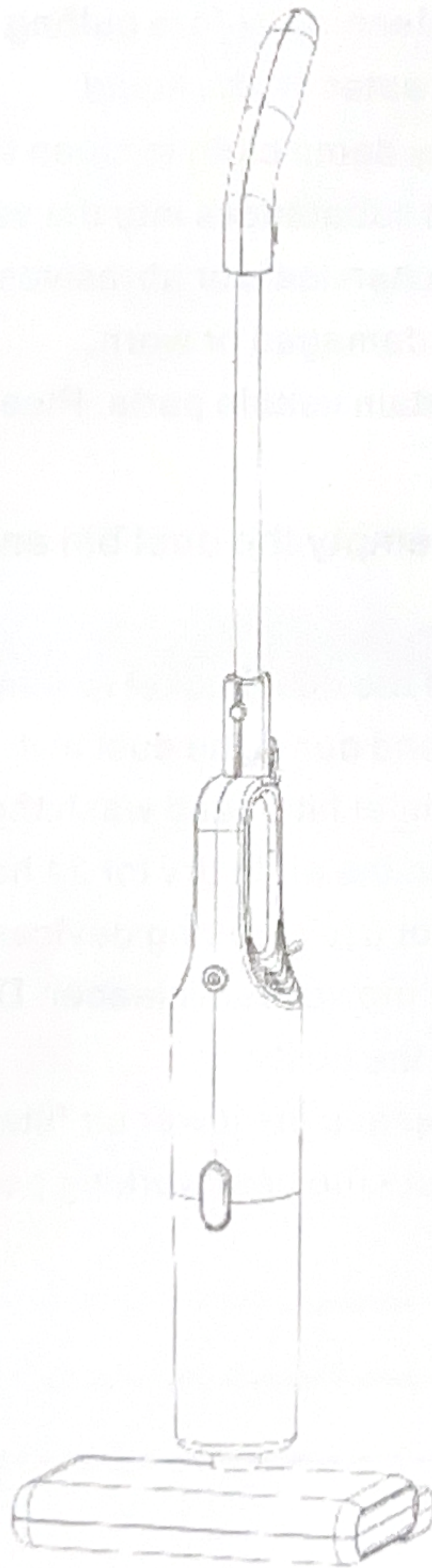


EMERALD

instruction manual



Model: VC-459

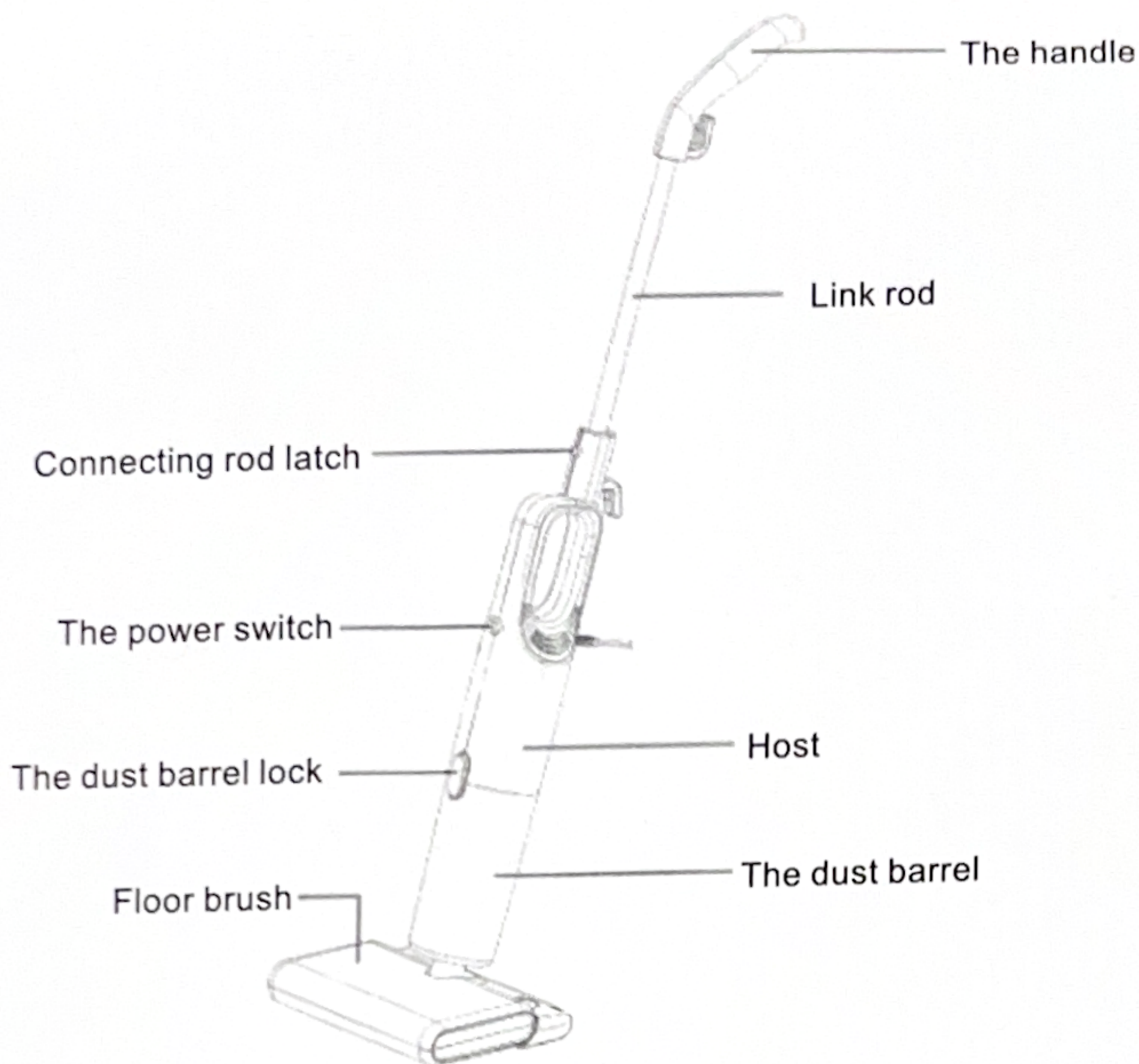
CATALOGUE

- Please be sure to assemble and use the products according to the regulations contained in the Instruction Manual.
- Please read the Instruction Manual carefully and keep it properly for future reference.
- If you have any questions in use, please contact the online customer service in the required language.

Product structure.....	01
Product features.....	01
Safety instructions.....	02
The installation guide.....	03
Product accessories.....	03
Matters needing attention.....	04
Clean up the dust.....	04
Electrical schematic diagram.....	05
Technical parameters.....	05
Cleaning and Maintenance.....	06
Troubleshooting.....	07

Thank you for purchasing this product. For convenience, please carefully read and properly keep this instruction manual before use. The pictures in this manual are for reference only.

Product structure



This drawing is for reference only, and the specific object shall prevail

Product features

1. The machine adopts the disassembling and washing filtration system, which is convenient to use and efficient to vacuum.
2. This machine has the characteristics of low noise, power saving, durability, etc. It is suitable for families, hotels, office buildings, offices and other places to use, healthy and clean living environment, is a great progress of modern human living standards.
3. The machine adopts module structure, stable quality and simple maintenance.
4. Transparent dust cup design, easy loading and unloading, convenient cleaning, is the most simple, the most humanized design on the market.
5. Low noise design, 68~70 decibels, noise control more freely.
6. Portable disassembly function makes it easier for users to collect after use.

Safety instructions



BE CAREFUL

Remind you of the risk of injury to this product or other objects.



DANGER

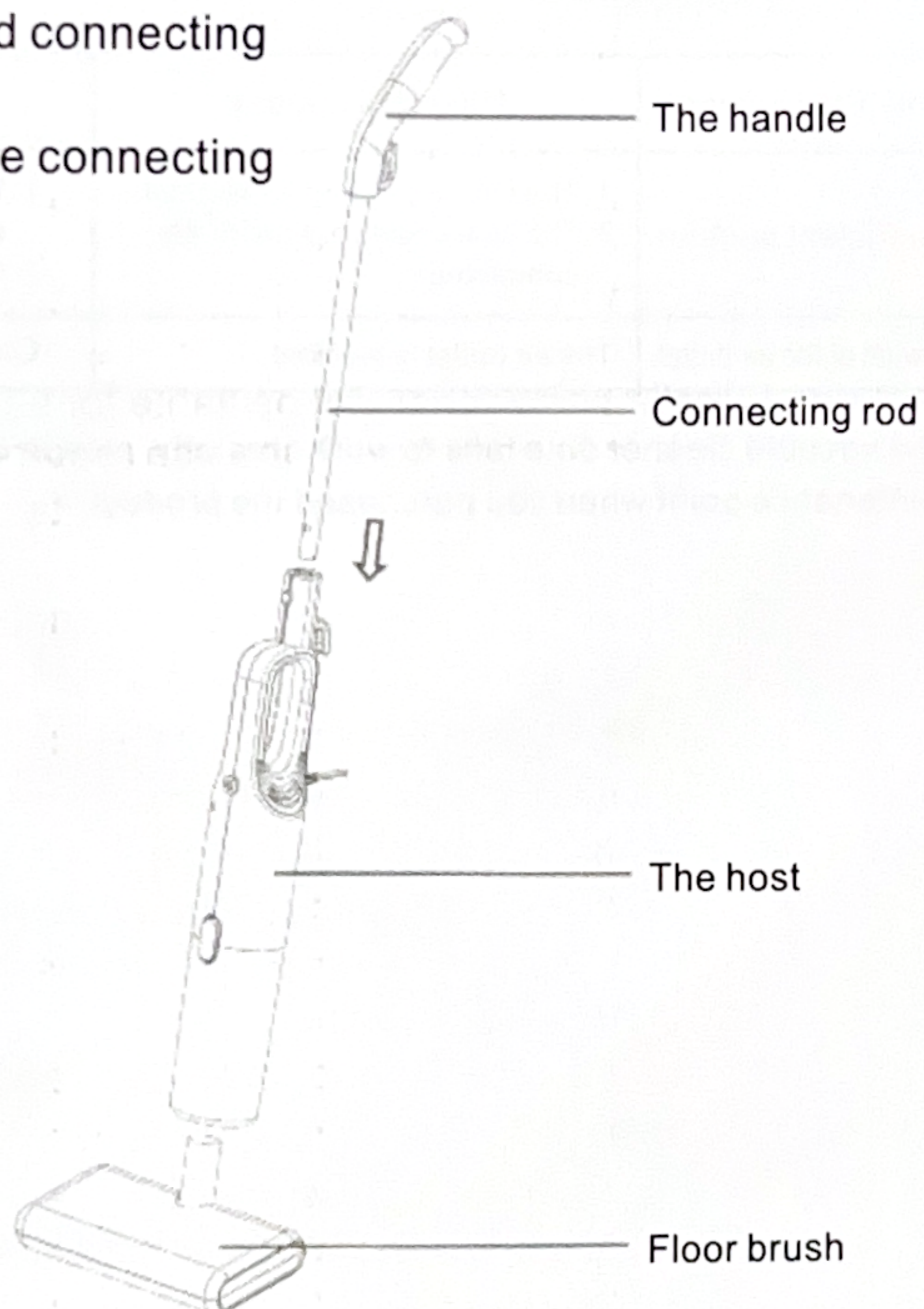
To avoid fire or explosion caused by electric arc and spark of electrical equipment. During operation, be sure to keep away from flammable, explosive and other objects or liquids.

- Before use, be sure to read all the following instructions to avoid injury or damage, so as to obtain the best use effect. Be sure to keep this manual in a safe place. If you transfer this appliance to others, please make sure to include this instruction manual. If the electrical appliances are damaged due to failure to follow the use requirements in this manual, they will not enjoy the warranty service. The manufacturer/importer shall not be liable for damages caused by negligence in use due to failure to comply with the use requirements.
- Please place the product on a stable, horizontal and heat-resistant working plane for use.
- Do not immerse any part of the plug or vacuum cleaner in water or other liquids.
- Do not leave when the vacuum cleaner is working.
- Pay close attention to safety when children use or near the vacuum cleaner.
- Please pay attention to safety when pets are near the vacuum cleaner.
- This product is applicable to children aged 8 and above. Users with physical dysfunction, sensory or intellectual ability or lack of experience and knowledge,
- Under the supervision or guidance, please use the product in a safe way and understand the hazards involved.
- Do not let children play with or operate the vacuum cleaner to avoid accidents.
- Children shall not conduct cleaning and user maintenance without supervision.
- Do not power on when nobody is operating, and disconnect the charger when it is not used after charging saturation or before maintenance.
- Do not hang the power cord on the edge of the table or counter, or touch any heat source.
- Accessories other than original accessories are not recommended.
- Do not drag the charger wire to avoid damage to the charger wire.
- This product shall not be used for any purpose other than its intended purpose.
- This product is for household use only.
- It is prohibited to use any external power cord.
- Do not suck liquids or sharp objects, such as nails or thumbnails.
- This product cannot be used to absorb water.
- This product cannot be washed in water.
- Unplug the plug before cleaning and maintenance.
- In case of failure, please stop using immediately and seek advice from the service department.
- When the power cord is damaged, the user shall not replace it by himself. The after-sales maintenance department of the company or similar qualified professionals must replace the power cord.

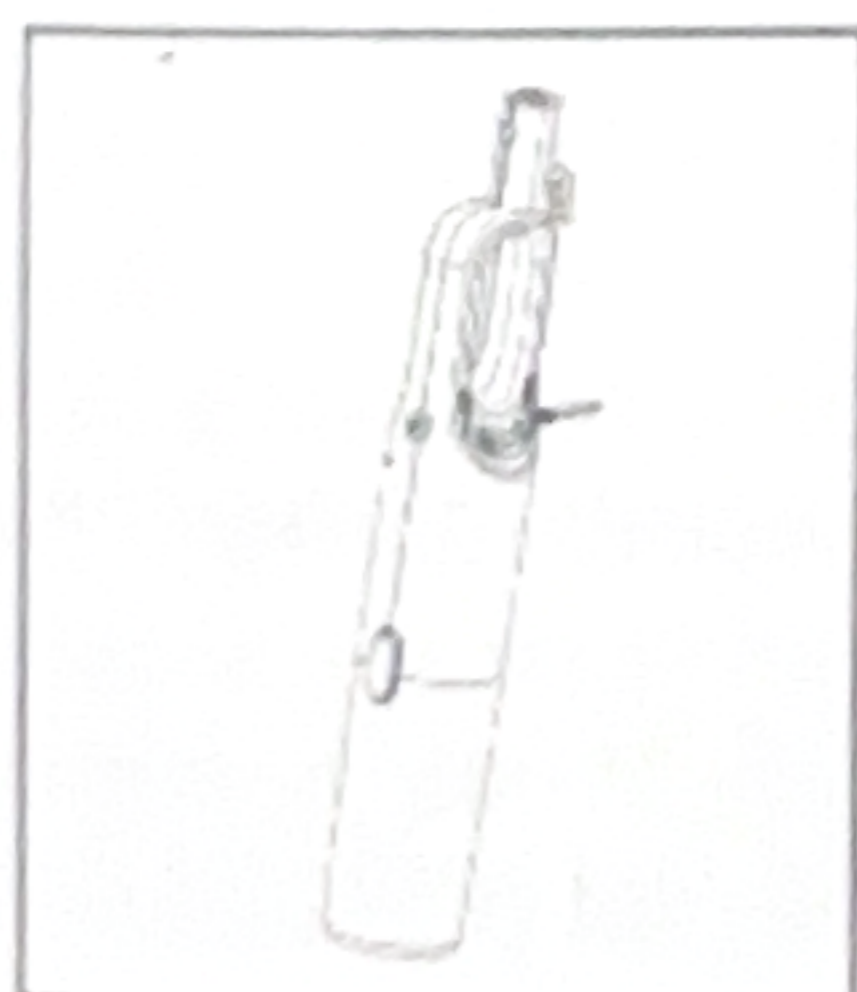
The installation guide

Do not insert the plug into the power supply during installation

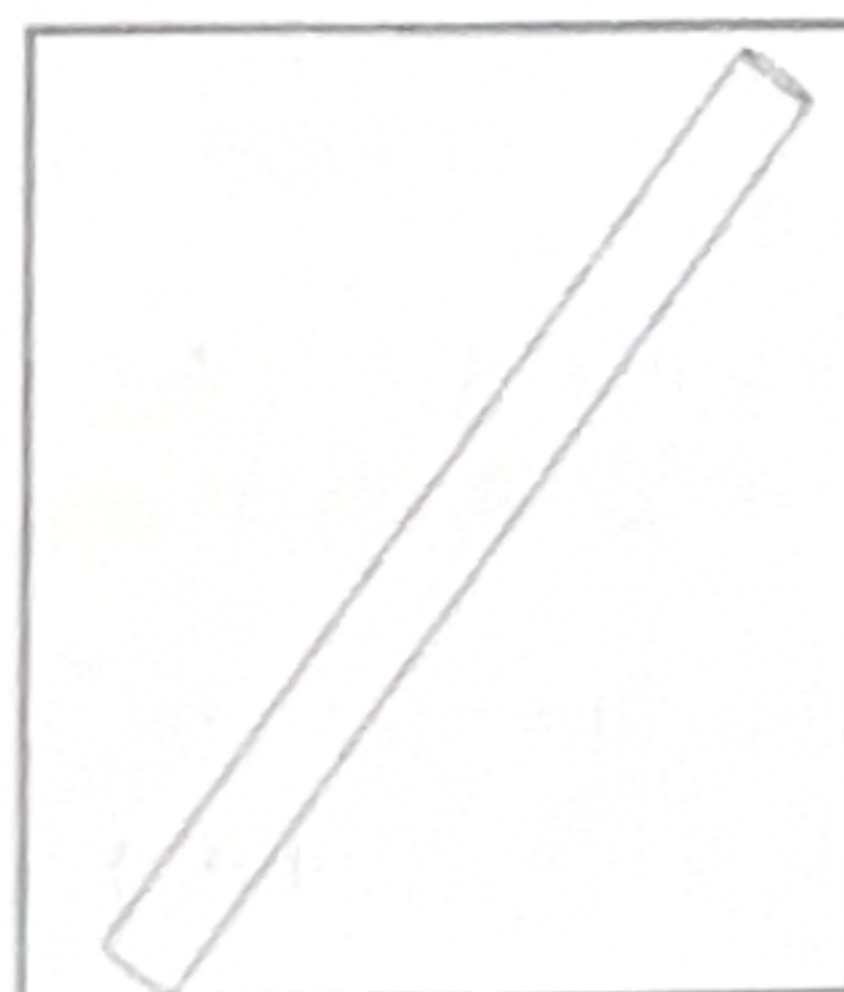
1. Install the floor brush and connecting pipe first.
2. Install the fuselage on the connecting pipe.



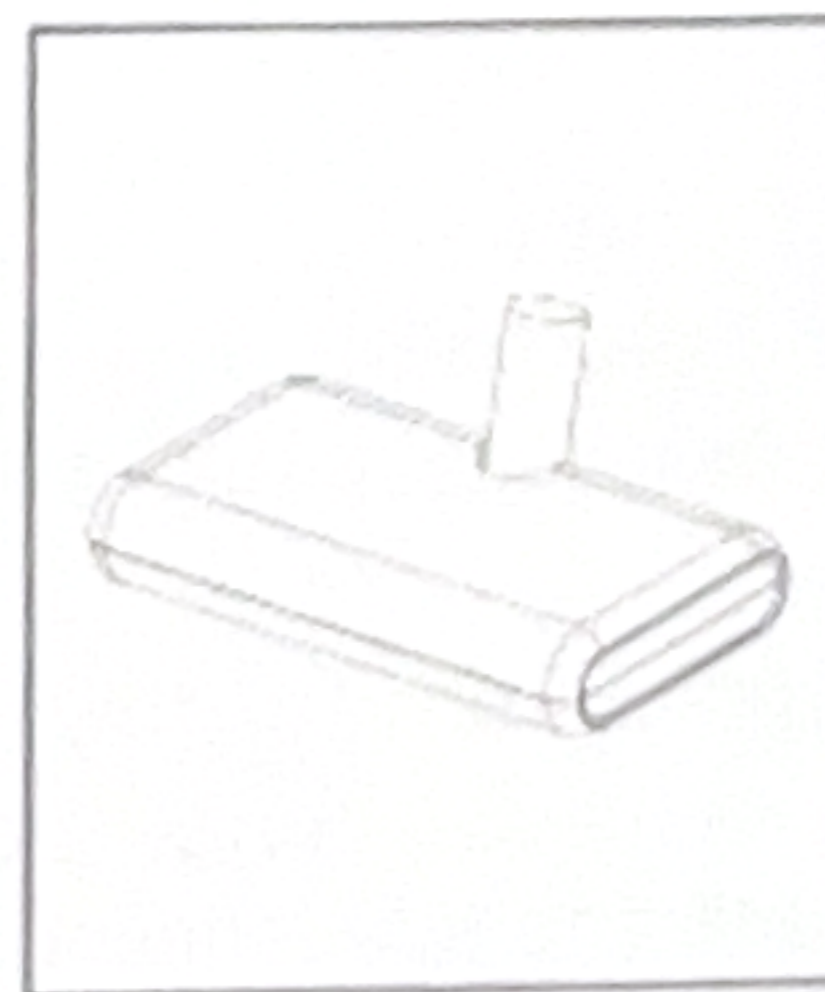
Product accessories



The host



Connecting pipe



Floor brush

Matters needing attention



BE CAREFUL



Do not pull the wire or body when pulling out the plug



It is forbidden to use the machine to suck burning cigarette butts, hot ash, etc

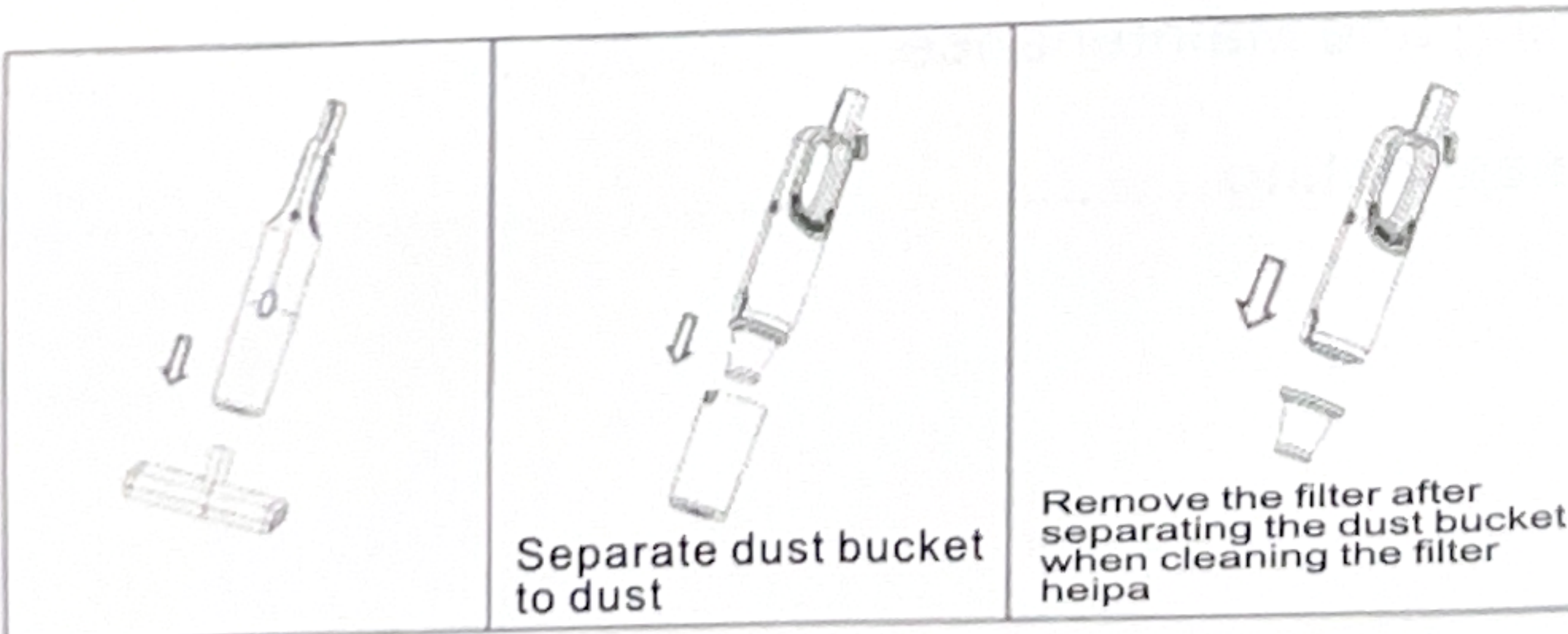


Do not use the machine suction liquid object

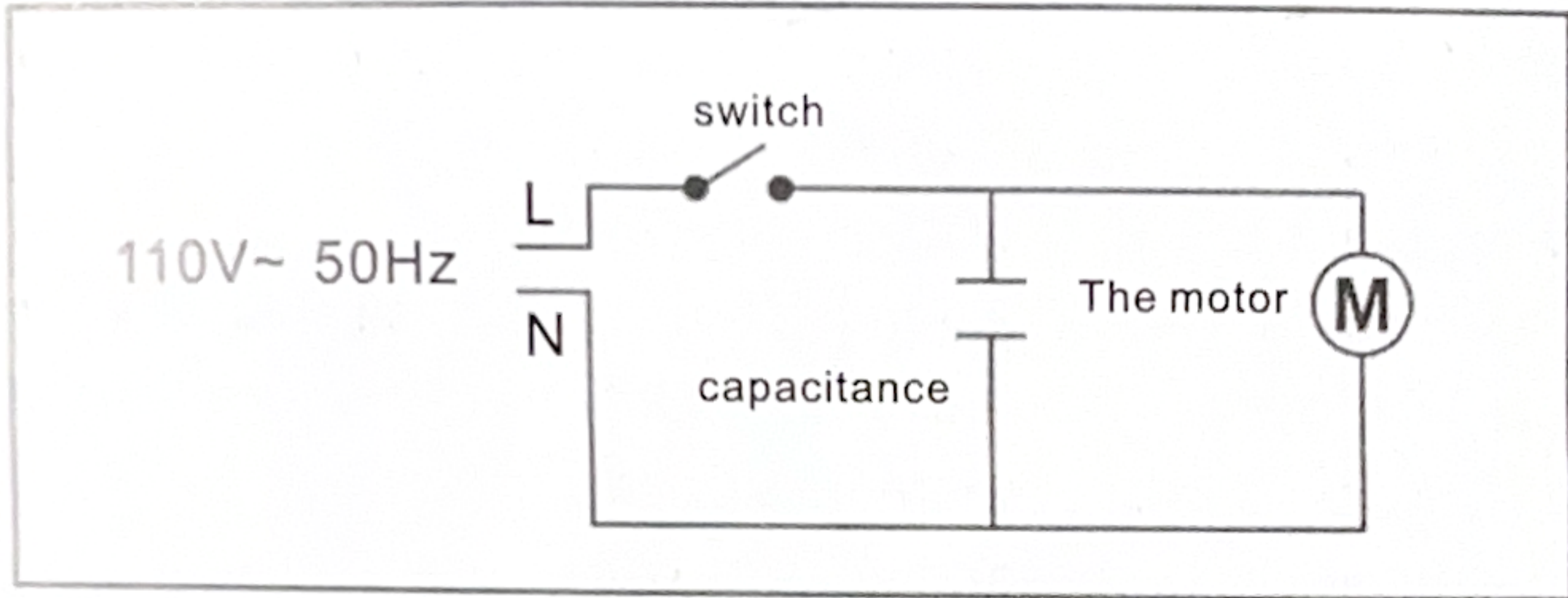


Do not use the machine to suck sharp objects

Clean up the dust



Electrical schematic diagram



Technical parameters

Product name	Vacuum cleaner
Rated frequency	50HZ
model	VC-459
voltage	110V~
Rated power	400W
N.W	1.4kg
G.W	1.7kg
capacity	1.2L

Cleaning and maintenance

Please shut down and unplug the power cable before cleaning.

1. Except the main machine, other parts can be cleaned with warm soapy water. Dry thoroughly after cleaning before putting it back into use. Do not immerse the main engine in water or any liquid.
2. Only use a soft and slightly damp cloth to clean the shell of the vacuum cleaner. Do not let any liquid substances into the vacuum cleaner.
3. Do not use any corrosive chemicals or abrasives.
4. Do not use the filter if it is damaged or worn.
5. This product does not contain usable parts. Please do not disassemble or repair by yourself.

For better results, please empty the dust bin and clean the filter every time you use it.

1. Press and hold the lock of the dust bucket to remove the dust bucket.
2. Remove the dust bucket and dump the dust in it.
3. Take out the filter and air inlet filter, and wash them in clean water. After cleaning, it must be placed in the air to dry for 24 hours before reloading the dust barrel. Important: Do not use cleaning devices to clean filters. Do not use drying equipment to dry the vacuum cleaner. Dry naturally only.
4. Install the dust bucket on the host.

Tip: It is recommended to replace the lower air filter every month (according to the use condition) to ensure the best working performance.

Troubleshooting

If any abnormality is found during the use of this product, please refer to the following table to solve it yourself.

Fault phenomenon	Possible causes	Processing method
Insufficient suction	1. The filtering system is blocked; 2. The spare parts are not firmly connected;	1. Timely clean the garbage in the dust cup, and clean the handkerchief and net cover; 2. Connect the spare parts firmly;
No wind at the air outlet	The air outlet is blocked	Clean the dust at the air outlet in time

If the vacuum cleaner pole fails to work normally, please contact the dealer or authorized maintenance point when you purchased the product