

# Piggyback Wall-Mounted Shelf Kits

## ASSEMBLY INSTRUCTIONS

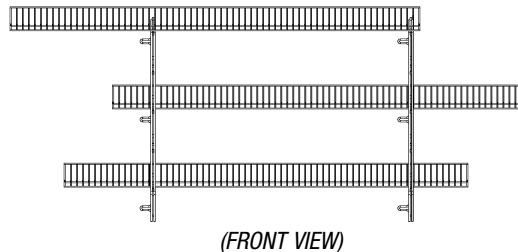
### CAUTION

INSPECT CONTENTS IMMEDIATELY AND FILE CLAIM WITH DELIVERING CARRIER FOR ANY DAMAGE. **SAVE YOUR BOX AND ALL PACKING MATERIALS.** YOU ARE RESPONSIBLE FOR DAMAGE TO YOUR UNIT IF RETURNED IMPROPERLY PACKED.

*Please note: Hardware\* not included.*

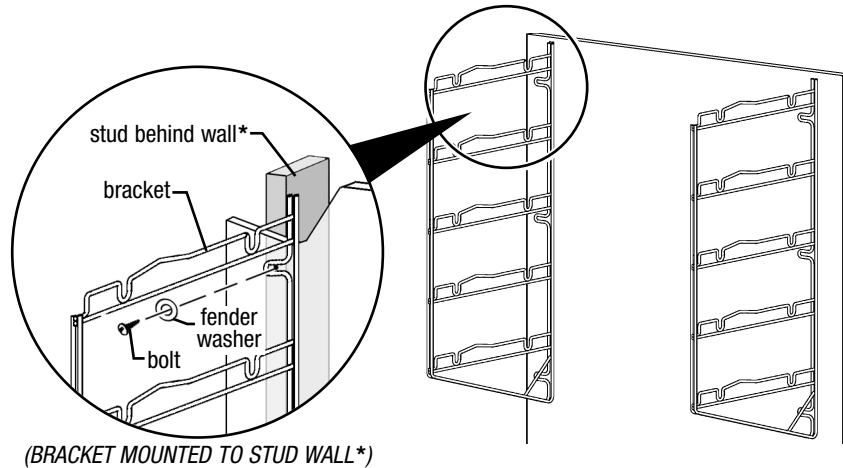
### PLEASE NOTE:

Once the brackets are anchored to the wall\* (as shown in **Step 1**), shelves can be positioned anywhere along the wall brackets without the use of fasteners.



### Step 1 - Mount brackets to wall, using appropriate hardware\*. Do not tighten hardware!

Note: Make sure to mount brackets at the same height. This will ensure level shelving.



(BRACKET MOUNTED TO STUD WALL\*)

**\* IMPORTANT NOTE:** Depending on construction of wall, shelf brackets should be attached to wall studs, in-wall grounds (wall backing) of plywood or sheet metal, or solid part of brick or concrete wall with appropriate fasteners. Failure to use appropriate fasteners could result in collapse and personal injury. Eagle Group cannot be held responsible for failure of the device or any other devices due to improper installation. Also, it is your responsibility to make certain the mounting surface and method of mounting are suitable to support the anticipated weight which will be placed on this unit.

(continued on back page)

EG10095 Revised 02/24



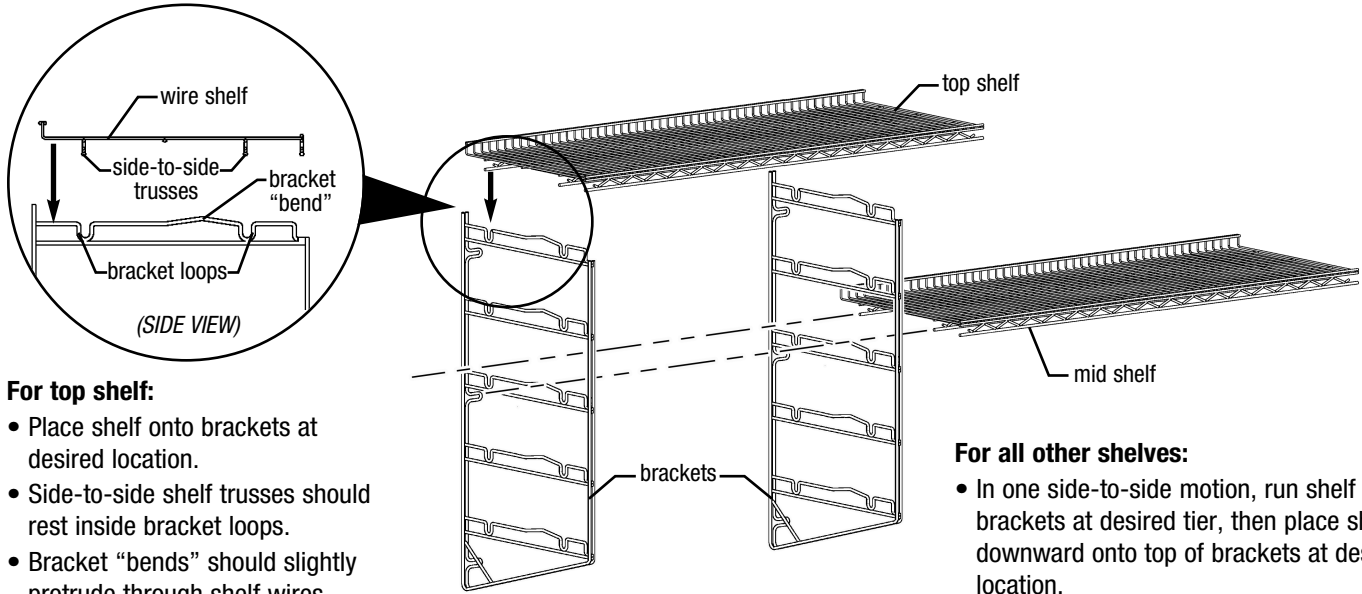
• 100 Industrial Boulevard, Clayton, Delaware 19938-8903 U.S.A.  
• Phone: 302/653-3000 • 800/441-8440 • Fax: 302/653-2065  
• www.eaglegrp.com • www.eaglehmc.com

Eagle Foodservice Equipment, Eagle MHC, and SpecFAB® are divisions of Eagle Group. ©2024 by the Eagle Group

# Piggyback Wall-Mounted Shelf Kits

## ASSEMBLY INSTRUCTIONS

### Step 2 - Mount shelves to brackets.



#### For top shelf:

- Place shelf onto brackets at desired location.
- Side-to-side shelf trusses should rest inside bracket loops.
- Bracket "bends" should slightly protrude through shelf wires.

#### For all other shelves:

- In one side-to-side motion, run shelf through brackets at desired tier, then place shelf downward onto top of brackets at desired location.
- Side-to-side shelf trusses should rest inside bracket loops.
- Bracket "bends" should slightly protrude through shelf wires.

### Step 3 - Tighten all hardware.

(End)

**IMPORTANT NOTE:** Depending on construction of wall, shelf brackets should be attached to wall studs, in-wall grounds (wall backing) of plywood or sheet metal, or solid part of brick or concrete wall with appropriate fasteners. Failure to use appropriate fasteners could result in collapse and personal injury. Eagle Group cannot be held responsible for failure of the device or any other devices due to improper installation. Also, it is your responsibility to make certain the mounting surface and method of mounting are suitable to support the anticipated weight which will be placed on this unit.

**EAGLE**  
GROUP<sup>®</sup>  
Profit from the Eagle Advantage<sup>®</sup>

- 100 Industrial Boulevard, Clayton, Delaware 19938-8903 U.S.A.
- Phone: 302/653-3000 • 800/441-8440 • Fax: 302/653-2065
- [www.eaglegrp.com](http://www.eaglegrp.com) • [www.eaglehmc.com](http://www.eaglehmc.com)

Eagle Foodservice Equipment, Eagle MHC, and SpecFAB<sup>®</sup> are divisions of Eagle Group. ©2024 by the Eagle Group