

ZLINE



TALLAC DISHWASHERS

---

Installation Guide  
and Users Manual



ZLINE

Designed in  
LAKE TAHOE, USA

ATTAINABLE LUXURY®



SCAN ME

#### REGISTERING YOUR PRODUCT

Please register your ZLINE appliance. Begin the simple registration process by scanning the QR code.

By registering your appliance, you will have easy and accurate access to:

- Technical Support
- Warranty Service
- Tracking your support inquiries

⚠ WARNING: This product can expose you to chemicals including Diisononyl phthalate (DINP) which is known to the State of California to cause cancer. For more information go to [www.P65Warnings.ca.gov](http://www.P65Warnings.ca.gov).

ZLINE Kitchen and Bath provides Attainable Luxury, where the kitchen and bath of your dreams is never out of reach. Through our unique designs and unparalleled quality, we're dedicated to providing you an elevated experience in the heart of your home. With an endless selection of features and finishes, our inspiration is your reality.

ZLINE is fueled by a passion for innovation; A relentless pursuit of bringing the highest end luxury designs and professional features into everyone's homes. Because we continually strive to improve our products, we may change specifications and designs without prior notice.



# WARRANTY

## COVERAGE

ZLINE Kitchen and Bath dishwashers parts will be warranted for one year from the original purchase date for the original purchaser of the product.

## TERMS

This warranty applies only to the original purchaser of the product installed for normal residential use. This is defined as a single-family, residential dwelling in a non-commercial setting. Commercial settings include but are not limited to: schools, churches, hotels, restaurants, vacation rentals such as Airbnb, day care centers, private clubs, fire stations, common areas in multi-family dwellings, nursing homes, food service locations, and institutional food service locations such as hospitals or correction facilities. This warranty is non-transferable and will not be extended based on the date of installation. The warranty applies only to products installed in the continental United States and the District of Columbia. Warranty shall not apply and ZLINE Kitchen and Bath is not responsible for damage resulting from negligence, improper maintenance, misuse, abuse, alteration of or tampering with the appliance, accident, natural disaster, improper electric supply, unauthorized service or repair, improper installation, or installation not in accordance with the instructions contained in the manual or the local codes.

## WHAT IS NOT COVERED

1. Installation or start-up damages or problems caused by improper installation or use.
2. Damage related to unauthorized service or unauthorized parts.
3. Installation in any commercial or non-residential application.
4. Aesthetic damage, scratches, or natural wear caused by normal use.
5. Second-hand, open box products, or products purchased from an unauthorized retailer.

# TABLE OF CONTENTS

<b>SAFETY INSTRUCTIONS</b>	<b>1</b>
<b>BEFORE INSTALLATION</b>	<b>6</b>
Electric Shock Hazard	
Tools and Parts	
Enclosure Dimensions	
<b>INSTALLING THE DISHWASHER</b>	<b>10</b>
Adjusting Height	
Water Supply Connection	
Steam Protection Foil	
Placement of Dishwasher into Enclosure	
Drain Hose and Water Supply	
Adjusting the Kick Plate	
Installation Checklist	
Final Instructions	
<b>OPERATION</b>	<b>22</b>
Controls and Specifications	
Before Using the Appliance	
Setting the Water Softener	
Detergent Usage	
Loading the Dishwasher	
Height Setting	
Programs	
Maintenance and Cleaning	
<b>TROUBLESHOOTING</b>	<b>60</b>

# SAFETY INSTRUCTIONS

To prevent accidents, which could cause serious injury or death, as well as dishwasher damage, read these instructions before installation and/or use.

When using the dishwasher, carefully follow the precautions in this manual. These are provided in order to save time and effort and to help ensure optimum dishwasher performance. Be sure to observe all listed warnings and cautions. Look carefully at **WARNING** icons with an exclamation mark inside.

## WARNING:



**WARNING**

Indicates a potentially hazardous situation which, if not avoided, could result in death or serious injury.

## CAUTION:



**CAUTION**

Indicates a potentially hazardous situation which, if not avoided, may result in injury. It may also be used to alert against unsafe practices.

## NOTICE:



**NOTICE**

Indicates a potentially hazardous situation which, if not avoided, may result in damage to the dishwasher, the tableware, the equipment, or the environment.

# SAFETY INSTRUCTIONS

## IMPORTANT SAFETY INSTRUCTIONS

Read these installation instructions completely before installing and follow them carefully. Save these installation instructions and pass them on to any future user.



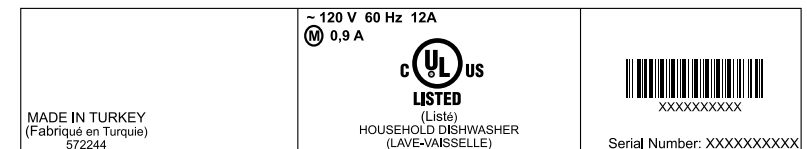
- In addition to these instructions, the dishwasher shall be installed:
  - In accordance with all local codes or, in absence of a local code,
  - In the United States, with the National Electric Code,
  - In Canada, with the Canadian Electric Code C22.1-latest edition/ Provincial and Municipal codes and/or local codes.

When installing the dishwasher, follow basic precautions, including the following:

- Please check the standards and local codes for placement of dishwasher.
- The dishwasher can only be converted from cord-connected to permanently connected by an authorized service representative.
- Installation and repair should be performed by a qualified installer: an insured licensed plumber, contractor, or trained installer. Installation performed by persons other than this could result in improper installation and property damage. Work by unqualified persons could be dangerous and will void the warranty.
- The information in this user manual must be followed to minimize the risk of fire or explosion and to prevent property damage, personal injury, or loss of life.
- To reduce the risk of electric shock, fire, or injury to persons, the installer must ensure that the dishwasher is completely enclosed at the time of installation.
- Never connect the ground wire to gas lines, or hot water pipes, plumbing lines.
- Only connect the dishwasher to the power supply when all installation and plumbing work is complete.
- Before installation or service, disconnect the power supply to the work area by unplugging the unit, "tripping" the circuit breaker or removing the fuse.
- If the dishwasher is installed in a location that experiences freezing temperatures (e.g. in a vacation home, cabin, etc.), drain all the water from the dishwasher's interior. Water system ruptures that occur as a result of freezing are not covered by warranty.

# SAFETY INSTRUCTIONS

- Dishwasher must be secured to adjacent cabinetry using the brackets provided. Failure to do this may cause damage to property or bodily injury.
- Ensure that any plastic wrappings, bags, small pieces etc. are disposed of safely and kept out of the reach of children. Danger of suffocation!
- Remove the door to the washing compartment when removing an old dishwasher from service or discarding it. Ensure that the appliance presents no danger to children while being stored for disposal. The dishwasher drain hose must be installed with a drain loop at least 28" off the cabinet floor. Otherwise the dishwasher may not drain properly.
- This dishwasher is intended for residential use only and should not be used in commercial establishments. The manufacturer disclaims responsibility for damage or injury caused by improper use of this appliance.
- Do not operate the appliance if damaged, malfunctioning, partially disassembled, or if it has missing or broken parts.
- New installation - If the dishwasher is a new installation, most of the work must be done before the dishwasher is moved into place.
- Replacement - If the dishwasher is replacing another dishwasher, check the existing dishwasher connections for compatibility with the new dishwasher, and replace parts as necessary.
- Old appliances may contain materials that can be recycled. Please contact the local recycling authority about the possibility of recycling these materials.
- Use only detergents or wetting agents recommended for use in a dishwasher and keep them out of the reach of children.
- The model and serial number information on the label are located on the right-hand side of the inner door of the dishwasher.



## SAFETY INSTRUCTIONS

- When loading items to be washed:
  - Locate sharp items so that they are not likely to damage the door seal.
  - Load sharp knives with the handles up to reduce the risk of type injuries.
- Do not wash plastic items unless they are marked "dishwasher safe" or the equivalent. For plastic items not marked, check the manufacturer's recommendations.
- Do not touch the heating element during or immediately after use.
- Do not operate the dishwasher unless all enclosure panels are properly in place.
- Do not tamper with controls.
- Do not abuse, sit on, or stand on the door or dish rack of the dishwasher.
- The cup racks are designed to support cups, glasses, and kitchen utensils. When the cup racks are in the dishwasher, do not lean on or use the cup racks to support your body weight.
- Some dishwasher detergents are strongly alkaline. They can be extremely dangerous if swallowed. Avoid contact with the skin and eyes and keep children away from the dishwasher when the door is open.
- Consult a doctor immediately if detergent has been swallowed or inhaled.
- Do not remove the dishes from the appliance until the program is complete. Some detergent may remain on the dishes.
- Check that the detergent dispenser is empty after the completion of each wash program.
- Do not drink and play with the water in the appliance. Harmful residues could be present.
- To reduce the risk of injury, do not allow children to play in or on the dishwasher.
- Do not leave the appliance with the open door unattended to avoid stepping accidentally onto it.
- Do not use high pressure water sprays and/or steam to clean the appliance.
- Ensure that there are no visible water leaks during and after the first use of the appliance.
- To avoid floor damage and possible mold growth, do not allow wet areas to remain around or under the dishwasher.
- **RISK OF INJURY:** To avoid risk of injury, always use caution when opening the door during or following a wash cycle as hot water or steam may escape.

## SAFETY INSTRUCTIONS

- Do not store or use flammable liquids or vapors in the area of the dishwasher, near or on the appliance.
- Under certain conditions, hydrogen gas may be produced in a hot-water system that has not been used for two weeks or more. **HYDROGEN GAS IS EXPLOSIVE.** If the hot-water system has not been used for such a period, before using the dishwasher, turn on all hot-water faucets and let the water flow from each for several minutes. This will release any accumulated hydrogen gas. As the gas is flammable, do not smoke or use an open flame during this time.
- Please check the water supply line periodically. It is susceptible to breakage. It becomes less flexible as time goes by. Replace it immediately when it is torn, cut, swollen, or there is water leakage.
- Please keep the dishwasher package out of the reach of children after unpacking it.

### RECYCLING

- Old appliances may contain materials that can be recycled. Please contact the local recycling authority about the possibility of recycling these materials.
- Remove the door to the washing compartment when removing an old dishwasher from service or discarding it. Ensure that the appliance presents no danger to children while being stored for disposal. Before disposing the dishwasher:
  - Disconnect the appliance from the main supply.
  - Cut off the main cable and discard it.
  - Remove the door catch to prevent children and pets from getting trapped in the appliance.

# BEFORE INSTALLATION



WARNING

- Connect to a properly rated, protected, and sized power supply circuit to avoid electrical overload.
- The dishwasher is designed for an electrical supply of 120 V (volts), 60 Hz (hertz), AC, connected to a dishwasher-dedicated, properly grounded, electrical circuit with a fuse or breakers rated for 15 amperes.
- Electrical supply conductors shall be a minimum of #16 AWG copper wire rated at 167° F or higher. These requirements must be met to prevent injury and dishwasher damage. Consult a qualified electrician if in doubt.
- Do not use any extension cord or portable outlet device to connect the dishwasher to a power supply.
- This appliance must be electrically grounded. In the event of a malfunction or breakdown, grounding will reduce the risk of electric shock by providing a path of least resistance for electric current. This appliance is equipped with a cord having an equipment-grounding conductor and a grounding plug. The plug must be plugged into an appropriate outlet that is installed and grounded in accordance with all local codes and ordinances.

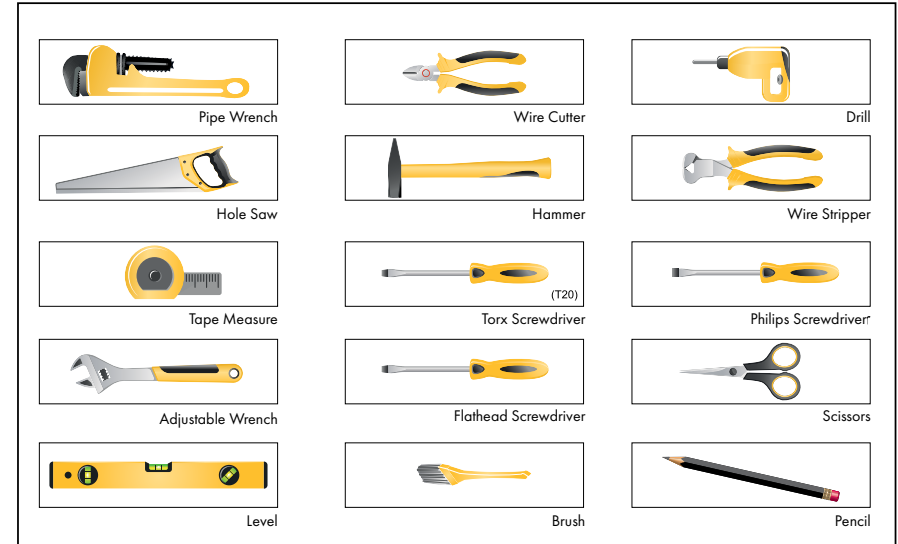


WARNING

**WARNING:** Improper connection of the equipment-grounding conductor can result in a risk of electric shock. Check with a qualified electrician or service representative if there is doubt whether the appliance is properly grounded. Do not modify the plug provided with the appliance. If it will not fit the outlet, have a proper outlet installed by a qualified electrician.

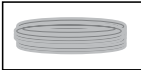

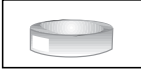



# BEFORE INSTALLATION

Tools which may be needed:



Materials which may be needed:

(Additional materials may be required to comply with local codes)

-  Hot Water Supply Line - Minimum 3/4" O.D. copper tubing or metal braided dishwasher supply line.
-  UL listed conduit connector or strain relief.
-  Teflon tape or other pipe thread compound to seal plumbing connections.
-  Shut-off valve and fittings appropriate for hot water supply line (copper tubing/compression fitting, or braided hose).
-  Silicone
-  Glue

# BEFORE INSTALLATION

The parts required for positioning the dishwasher are in plastic bags. Check that all of the following parts are contained in plastic bags.

## MANUAL BAG

The dishwasher comes with a manual bag containing the product manual.

## DISHWASHER PARTS BAG 1

- a. Test Strip
- b. Hose Clamp

## DISHWASHER PARTS BAG 2

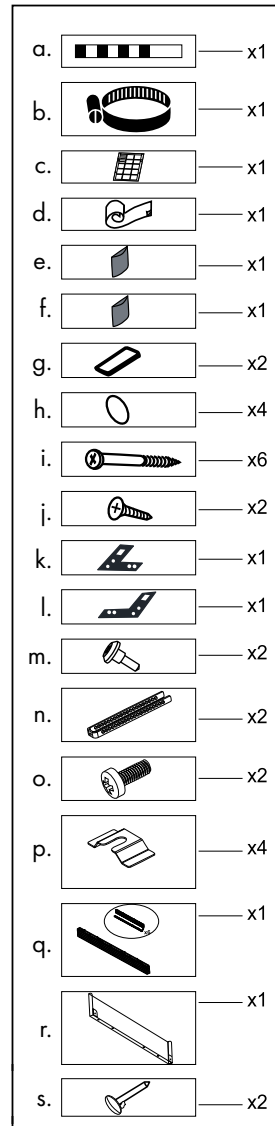
- c. Mounted plan
- d. Steam Protection Foil
- e. Side Trim Strips (Left)
- f. Side Trim Strips (Right)
- g. Door Fixing Strips
- h. Hole Covers

## DISHWASHER PARTS BAG 3

- i. Screws  $\varnothing 5/32'' \times 53/32''$
- j. Screws  $\varnothing 5/32'' \times 19/32''$
- k. Mounting Bracket Left
- l. Mounting Bracket Right
- m. Screws  $\varnothing 5/32'' \times 27/32''$

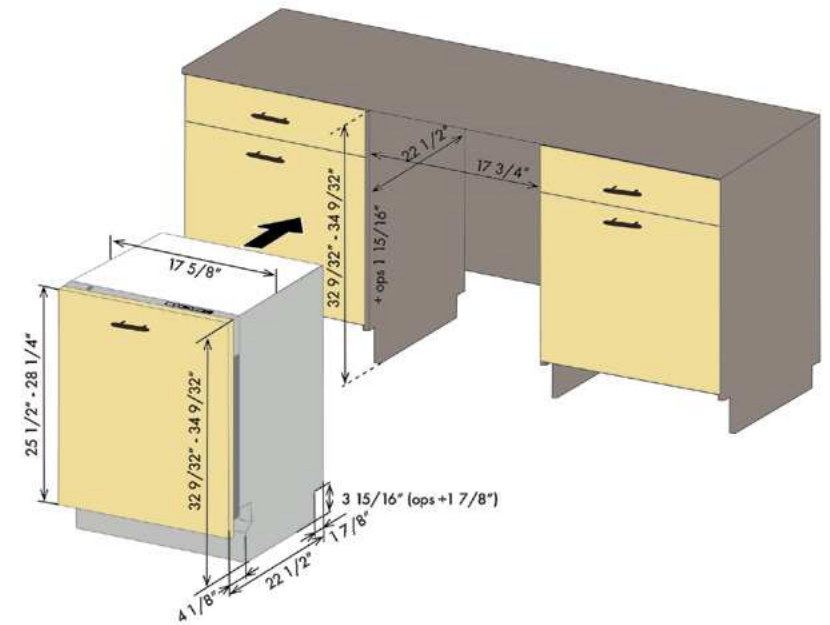
## DISHWASHER PARTS BAG 4

- n. Kick Plate Bracket
- o. Screws  $\varnothing 5/32'' \times 7/32''$
- p. Plinth Fixing Metals
- q. Adjustable Plinth
- r. Adjustable Plinth Metal
- s. Plinth Locking

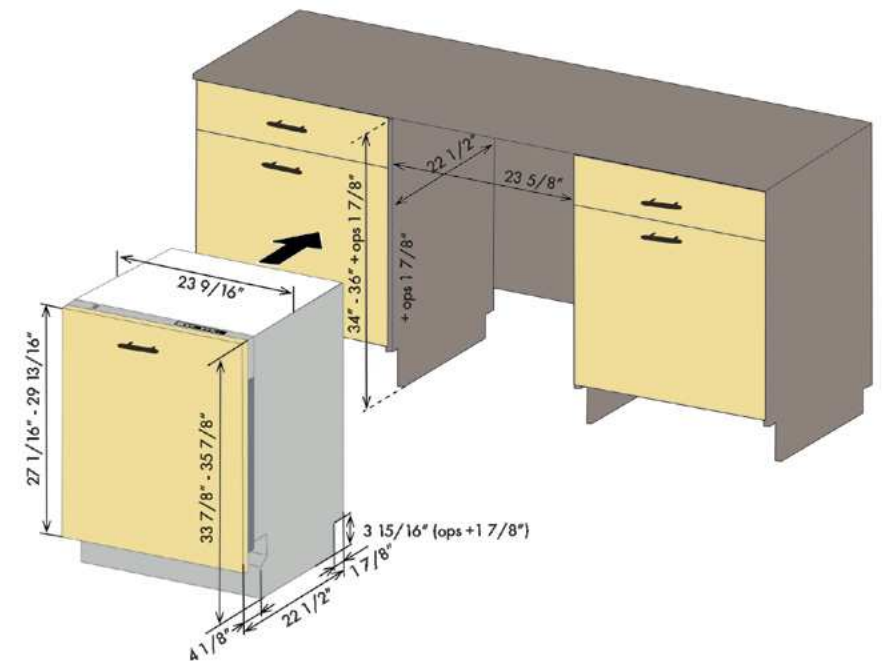


# BEFORE INSTALLATION

18"

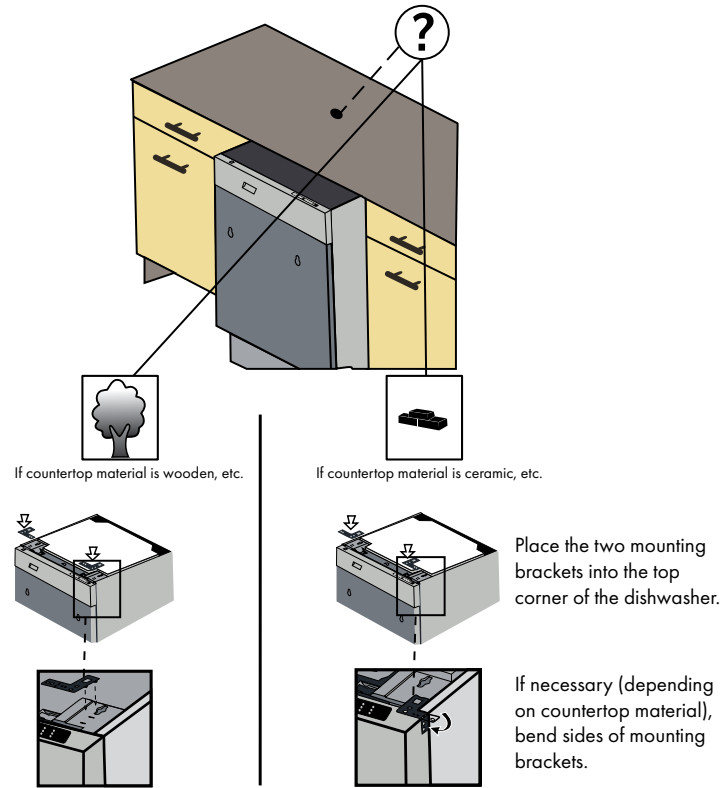


24"



# INSTALLATION

The mounting brackets in the plastic bag should be used when the dishwasher is installed in the cabinetry. Use of any parts other than mounting brackets may result in damage to property or bodily injury.

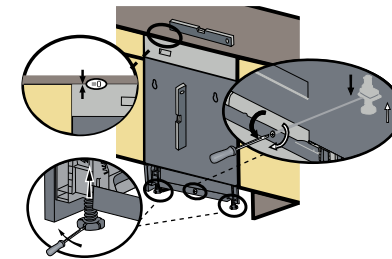


# INSTALLATION

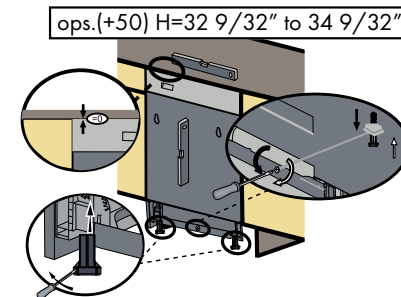
## ADJUSTING HEIGHT

1. Before the dishwasher is placed into the cabinetry, the front legs will be completely retracted. Place into the cabinetry.
  2. Adjust the leg level with a flathead screwdriver to stabilize the dishwasher and raise it to the enclosure height.
  3. Adjust the back leg level with a Philips screwdriver to balance and raise the dishwasher to the enclosure height.
  4. Make sure the dishwasher is plumb. The dishwasher can be positioned with a small clearance under the counter top.
- For front legs, turn the legs in the direction of the black arrows with a flathead screwdriver to allow for the dishwasher to move downwards.
  - For rear legs, turn the feet in the direction of the black arrows with a flathead screwdriver to take the dishwasher feet down.

18"



If the height of the enclosure is 32 9/32" to 34 9/32", use short supports as shown in the figure.

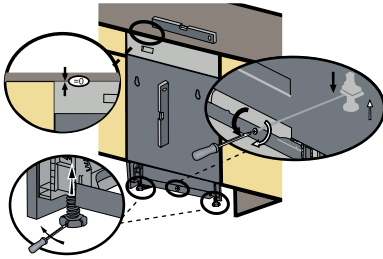


If the height of the enclosure is above 32 9/32", use long supports as shown in the figure.

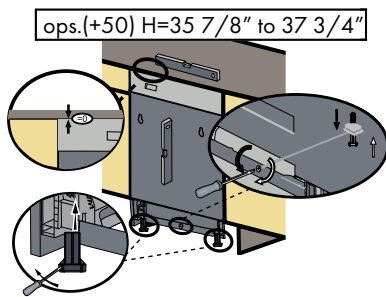
## INSTALLATION

24"

If the height of the enclosure is 33 7/8" to 35 7/8", use short supports as shown in the figure.



If the height of the enclosure is above 35 7/8", use long supports as shown in the figure.



## INSTALLATION

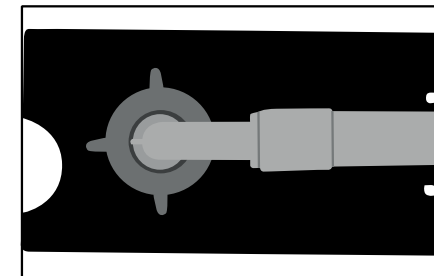
### WATER SUPPLY CONNECTION

Water supply may be connected to the dishwasher in one of two ways:

- With metal braided hose.
- With copper tubing

#### Braided Hose/Copper Tubing

- After connections are made, turn on the water supply to check for leaks.
- Hot water supply line: Use minimum 3/4" O.D. copper tubing or metal braided dishwasher supply line.
- Water Inlet valve of dishwasher has 3/4"-11.5NH inlet coupling thread dimension according to ASME B1.20.7-1991.
- When buying a water inlet hose for the dishwasher, please choose the thread dimension of the inlet hose that is compatible with the indicated water inlet valve inlet coupling thread dimension (3/4"-11.5NH) of the dishwasher.
- Temperatures required for soldering and sweating will damage the dishwasher's water inlet valve, so if any such operation is needed, keep the heat source min. 77/8" away from the dishwasher's water inlet valve.
- There should not be any sharp bends in the water line that may restrict the water flow.
- Teflon tape or pipe thread compound must be used for sealing the connection. Before connecting the copper water supply line to the dishwasher, flush it with hot water to clear any foreign material.



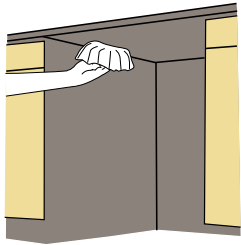
## INSTALLATION

### STEAM PROTECTION FOIL

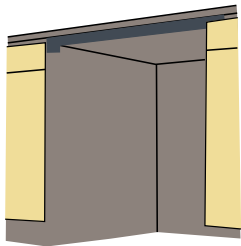
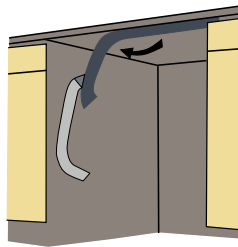
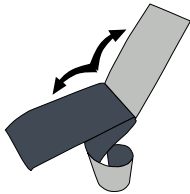
Steam will be output when the dishwasher door is opened during the operation of the dishwasher and after completion of the working cycle. In order to prevent the resulting steam from collecting and damaging at the underside of the counter top, use a steam protection foil included in the plastic bag.

#### Fitting the Protection Foil

Clean the surface with a damp cloth before applying steam protection to the underside of the countertop.



Clean the surface with a damp cloth before applying steam protection to the underside of the counter top.



**CAUTION:** Steam protection foil must be applied where the steam escapes when door is first opened. Failure to install the steam protection foil during installation can lead to damage to the cabinets and countertop.

## INSTALLATION

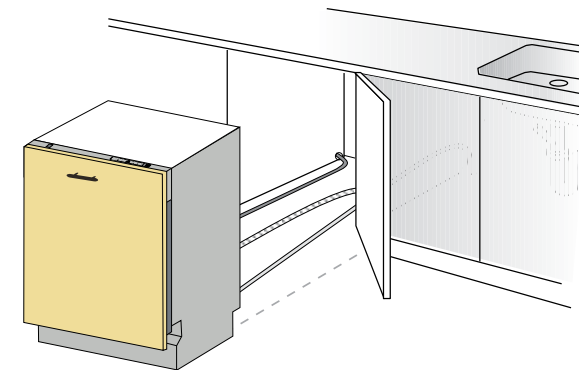
### PLACEMENT OF DISHWASHER INTO THE OPENING

Now, place the dishwasher into the opening and get ready to connect all hoses and electrical connections.

- The power-supply receptacle for the appliance shall be installed in a cabinet or on a wall adjacent to the undercounter space in which the appliance is to be installed.
- There shall be an opening through the partition between the compartments specified in the above bullet point that is large enough for the attachment plug to pass through. The longest dimension of the opening shall not be more than 38 mm (1.5 in).
- The edges of the opening specified in the above bullet point shall, if the partition is wood, be smooth and rounded, or, if the partition is metal, be covered with an edge protector provided for this purpose by the manufacturer.
- Care shall be exercised, when the appliance is installed or removed, to reduce the likelihood of damage to the power-supply cord.



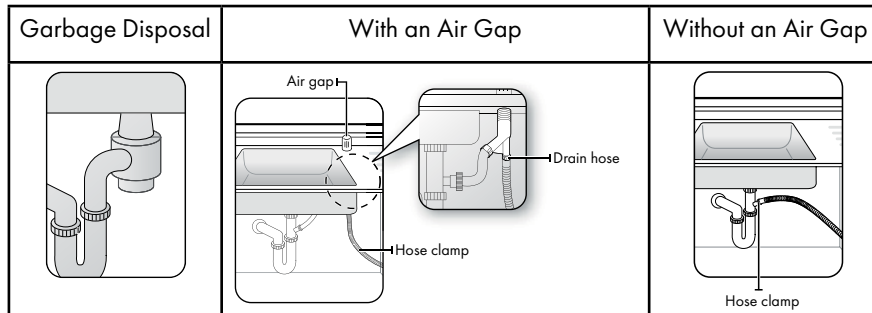
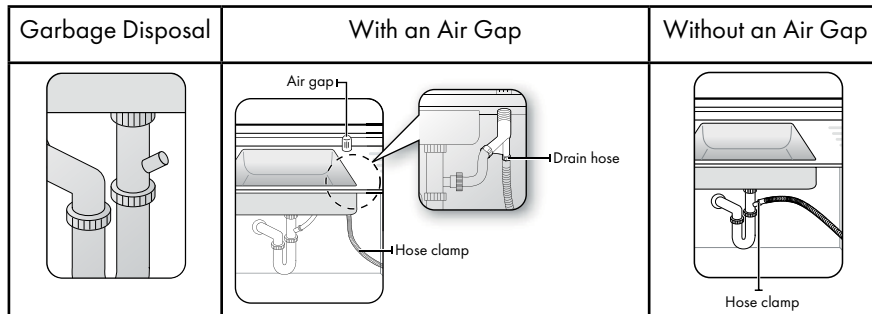
**CAUTION:** Make sure all hoses are pulled through the side opening of the cabinet, no hoses are kinked and all slack is taken out as shown in the figure.



## INSTALLATION

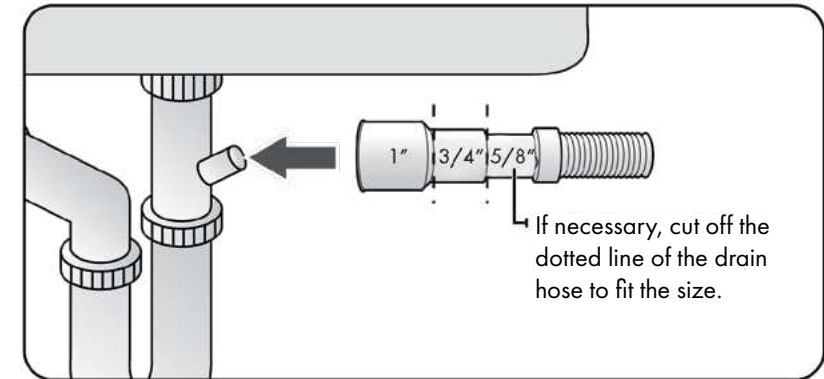
### DRAIN HOSE CONNECTION

1. Check the parts on the sink to which the drain hose will be connected.
2. There are several ways to insert the drain hose into the drain hose connector of the sink, as shown in the following figures. Connect the drain hose in accordance with the water pipe installation regulations in your region.



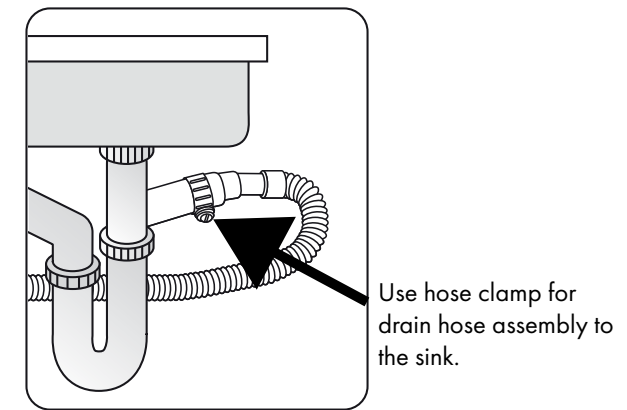
## INSTALLATION

3. Check the size of the sink's drain hose connector. If needed, cut the drain hose so its end fits onto the sink connector (5/8", 3/4", or 1" - as shown below). If the end of the drain hose does not fit onto the drain hose connector of the sink, use an adapter, purchasable at a plumbing/hardware supply store.



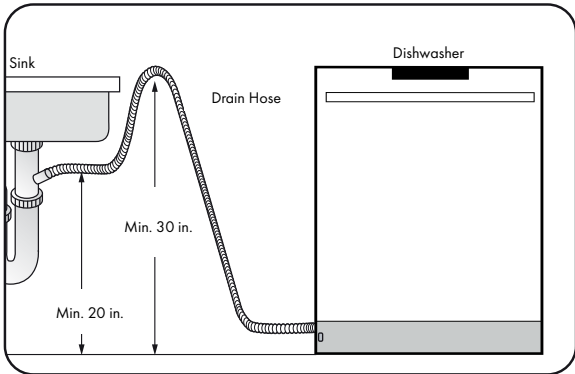
4. Slide a hose clamp over the end of the drain hose. Attach the drain hose to the sink connector, slide the hose clamp to the end of the hose, and then tighten the hose clamp.

**Note:** Use a hose clamp. Failure to do so may cause water leakage.



# INSTALLATION

- If there is no air gap, make sure to hang the middle of the drain hose well above the sink cabinet base to prevent back flow.



- When drilling a hole for the drain hose on the cabinet wall, take caution not to damage the drain hose by sharp edges of the hole. On wooden walls, use sanding to soften the edges. On metal walls, use insulation tape or duct tape to cover the sharp edges around the hole.
- Take caution not to damage the drain hose when installing the dishwasher on the floor, wall, or cabinet. To prevent leaks or drainage problems, make sure the drain hose is not damaged, kinked, or twisted.
- Do not cut the wrinkled area of the drain hose to fit the size. When arranging the drain hose, take caution not to touch the sharp edges of the cabinet or under-sink.
  - Be careful when cutting off the end of the drain hose, as there is a risk of injury. Clean around the sink's drain connection so that it does not damage the hose. Check for any foreign items in the drain hose and remove them.
  - When arranging the drain hose, make sure the drain hose is not cut, torn, or broken by any sharp edges of the floor, the product itself, or the cabinet. A damaged drain hose causes a leak.

# INSTALLATION

## ADJUSTING THE KICK PLATE

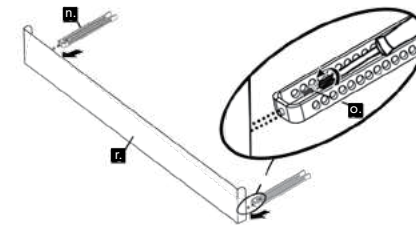
Now that the dishwasher is successfully installed, attach the kick plate to the dishwasher. The two piece kick plate can be adjusted to the height and depth needed for the kitchen.

### 18"

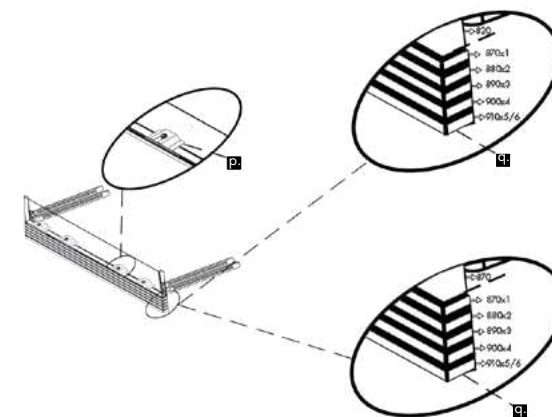
- If the height is above 32 9/32" and uses short supports, install adjustable plinth metal with 130 mm length (r) and kick plate brackets (n). Mount using Screws  $\varnothing$  5/32" x 7/32" and a Philips screwdriver.

### 24"

- If the height is above 35 7/8" and uses short supports, install adjustable plinth metal with 130 mm length (r) and kick plate brackets (n). Mount using Screws  $\varnothing$  5/32" x 7/32" and a Philips screwdriver.

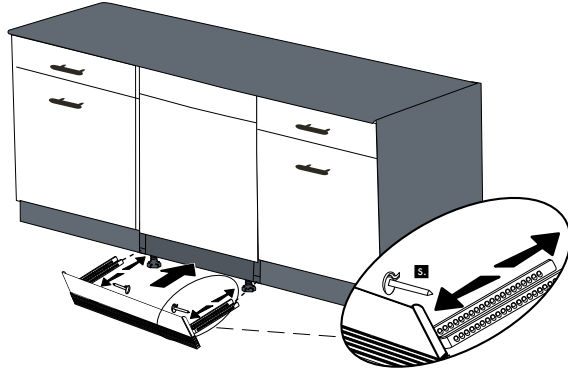


- The adjustable plinth number is determined by required distance between the pieces.



## INSTALLATION

- As shown below, the cylindrical feet of the adjustable plinth are attached to the plinth fixing metal parts and shifted through the cavity of the part.



- Depending on the desired depth, plinth locking (s) is attached to the kick plate bracket (n).
- Finally, kick plate brackets (n) are attached to the gaps under the dishwasher and the installation is complete.

## INSTALLATION

### INSTALLER CHECKLIST

The installer must have completed and checked the following:

- The dishwasher is square and level.
- The dishwasher is fastened securely to the cabinetry.
- The dishwasher door opens and closes freely. The dishwasher door must close without hitting any cabinetry or counter top.
- The inlet water supply is turned on and checked for leaks.
- The drain hose has been connected and checked for leaks. There must be no kinks or obstructions in the drain hose.
- The drain hose must be installed with a 28" high drain loop for drain hook-ups without any air removed.
- The spray arms are free and rotate freely.
- The rinse cycle has been run.
- The water level will be below the filter screen after the end of the wash program.

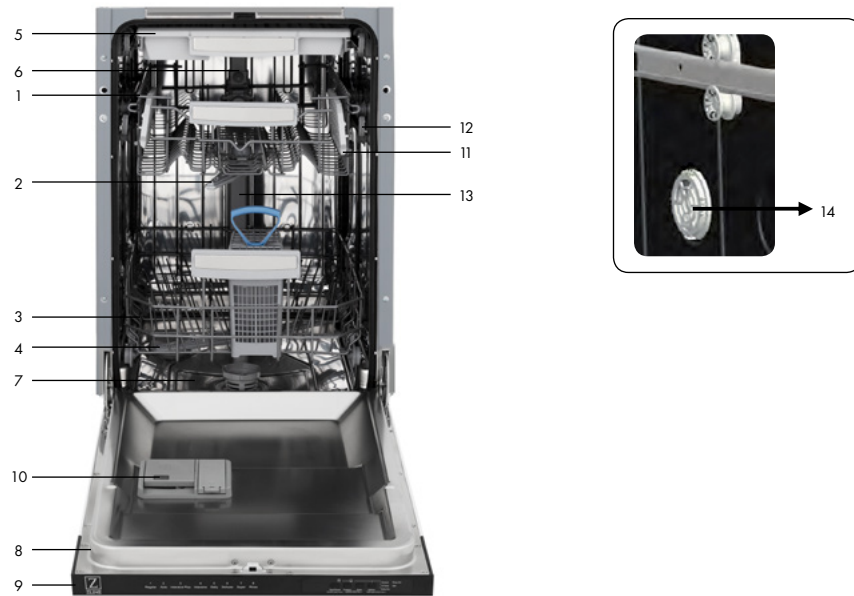
It is normal to find some water in the drain filter area.

**NOTE:** If the installer connects the water drain hose to a trap spigot under the sink, remove the plastic membrane. If the entire membrane is not removed, remaining food can cause a blockage in the drain hose spigot. Ensure a hose clamp is used to secure the hose to the spigot.

### FINAL INSTRUCTIONS

- Press the On/Off button to turn the dishwasher on.
  - Power indicator light comes on.
  - Use the Program Select button to choose a washing program.
  - Start the program with the Start/Pause/Cancel button.
  - Run the dishwasher through one complete cycle. When the wash cycle is completed, use the On/Off button to turn the dishwasher off.
  - If the dishwasher does not operate properly, refer to the troubleshooting section.
- If dishwasher is not operating properly after following these steps: Contact ZLINE at 1-614-777-5004 to schedule an authorized service agent to inspect the new dishwasher for any function related failure.
  - The manufacturer warranty does not cover installation, conversion, or customer education service visits.

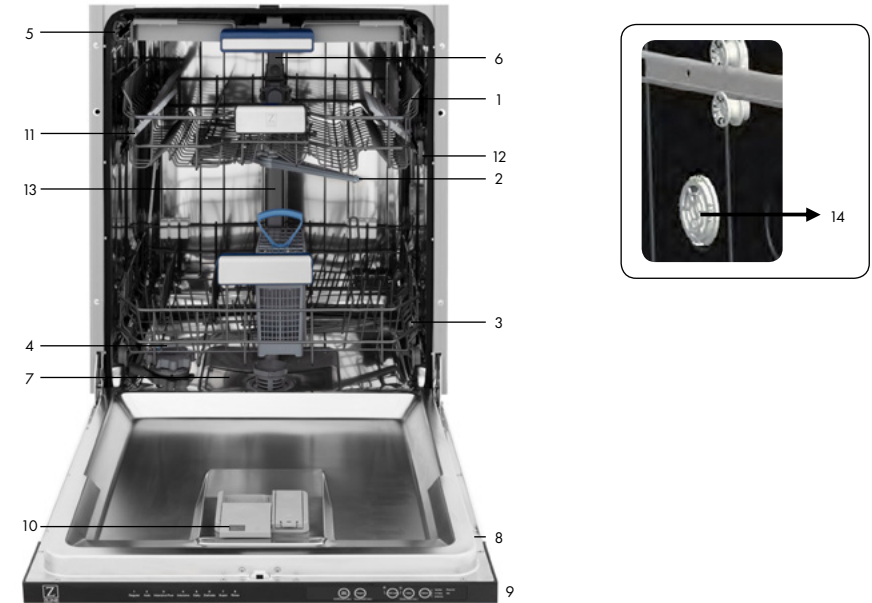
## OPERATION (18")



1. Upper Basket with Racks
2. Upper Spray Arm
3. Lower Basket
4. Lower spray Arm
5. 3rd Basket
6. Top Nozzle
7. Filters
8. Rating Plate
9. Control Panel
10. Detergent and rinse-aid dispenser
11. Upper Basket Track Latch
12. Rack Adjustment Lever: Handle with care; this system prevents the rack from falling
13. Upper Spray Feed Tube Assembly
14. Drying Unit: This system provides better drying performance for the dishes

Load capacity	Up to 10 place settings
Permissible water pressure	43.5 - 145 PSI (-.3 - 10 bars)
Electrical connection	120 V (volts), 12 A (Amps), 60Hz (Hertz)
Total power	1400 W (watts)
Heater power	110 W (watts)

## OPERATION (24")



1. Upper Basket with Racks
2. Upper Spray Arm
3. Lower Basket
4. Lower spray Arm
5. 3rd Basket
6. Top Nozzle
7. Filters
8. Rating Plate
9. Control Panel
10. Detergent and rinse-aid dispenser
11. Upper Basket Track Latch
12. Rack Adjustment Lever: Handle with care; this system prevents the rack from falling
13. Upper Spray Feed Tube Assembly
14. Drying Unit: This system provides better drying performance for the dishes

Load capacity	Up to 15 place settings
Permissible water pressure	43.5 - 145 PSI (-.3 - 10 bars)
Electrical connection	120 V (volts), 12 A (Amps), 60Hz (Hertz)
Total power	1400 W (watts)
Heater power	110 W (watts)

# OPERATION

## BEFORE USING THE APPLIANCE

### Preparing The Dishwasher For First Use

- Make sure the electricity and supply water specifications match the values indicated in the installation instructions for the dishwasher.
- Open the door of the dishwasher.
- Remove all packaging material inside the dishwasher.
- Set the water softener level.
- Set the rinse aid dosage.
- Fill the salt container.
- Fill the rinse aid compartment.
- Place the dishes in accordance with the instructions in this manual.
- Put adequate amount of detergent into the detergent dispenser.
- Make sure that the upper and lower impellers rotate freely.
- Select program according to amount of dirt.
- Close the door of the dishwasher. (Push the baskets in, then lift the door upwards and push until it clicks into position)



CAUTION

**CAUTION:** To prevent injuries, ensure that your hand is not jammed or crushed between the door and appliance



WARNING

**WARNING:** All functions are automatically interrupted if the door is opened while the appliance is running.



CAUTION


**CAUTION:** There may be a escape of hot steam when you open the door of the dishwasher. Be careful of getting injured.

# OPERATION

## MAINTENANCE INFORMATION

1. When the dishwasher isn't in operation:
  - Disconnect the plug and close the tap.
  - Leave the door slightly open to prevent odor formation.
2. Select the dry option to remove water droplets.
3. Place dishes in the dishwasher properly to achieve the best energy consumption, washing and drying performance. Please see the program and consumption table for more information.
4. Rinse dirty dishes before placing them in the dishwasher.
5. Only use the Rinse program when necessary.
6. Do not place the dishwasher near a refrigerator because it will reach high temperatures.
7. If the dishwasher is located in an area that is at risk of freezing, close the tap, disconnect the inlet hose from the tap and drain the water inside the hose and the dishwasher completely. Dispense outside of the metropolitan region.


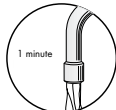



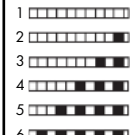
## SETTING THE WATER SOFTENER


- Dishwasher needs soft water for good cleaning results. Hard water results in a build-up of calcium deposits on dishware and in the dishwasher. The dishwasher has a special water softening system to remove the hardness of the tap water. Setting this system correctly will increase the washing effectiveness.
  - Water supplies with a hardness level higher than 9° F needs to be softened.
  - If the hardness level of the water that you use is above 9° F or if you are using well water, than it is recommended to use filter and water purification devices.
  - The dishwasher is programmed at the factory setting level 1 (inactive) of water hardness. If this setting corresponds to the hardness of your water, no actions need to be taken. The dishwasher must be programmed for the water hardness in your area.
  - To find out the hardness level of water in your area, contact your local Water Board or determine water hardness level by the help of test strip provided.
-  **WARNING:** If you move to a different location, the level of water hardness will possibly be different. It is essential to setting again the water hardness in order to obtain optimum washing efficiency.

# OPERATION

## TEST STRIP

The washing effectiveness of your dishwasher depends on the softness of the tap water. For this reason, the dishwasher is equipped with a system that reduces the hardness in the main water supply. The washing effectiveness will increase when the system is correctly set. To find out the water hardness level of water in your area, contact your local Water Board or determine water hardness level by using the test strip. Follow the steps in the image when using the test strip:

	Keep water through the tap (1 min)	Keep the strip in the water (1 sec)	Shake the strip	Wait (1 min)	Set the hardness level of the dishwasher
					

 **WARNING:** If the water is well water or has a hardness level above 9° F, we recommend that you use filter and refinement devices.

Level	Temperature (F)	Indicator
1	0-9° F	L1 is shown on the display.
2	10-20° F	L2 is shown on the display.
3	21-30° F	L3 is shown on the display.
4	31-40° F	L4 is shown on the display.
5	41-55° F	L5 is shown on the display.
6	56-90° F	L6 is shown on the display.

Adjust the water hardness setting of the dishwasher according to the level specified on the test strip.

**NOTE:** Hardness level is adjusted to level 1 as a factory setting.

**NOTE:** If only combination products are used, the softener level can be changed.


# OPERATION

## SALT INDICATOR

Please check the salt indicator on the control panel to see whether there is adequate amount of softening salt in the dishwasher or not. Refill the salt reservoir with salt whenever salt warning indicator appears on the control panel of the dishwasher. In order to add salt to the dishwasher,

1. Open the door of the dishwasher,
2. Press and hold "Start/Pause + On/Off" key for 3 seconds,
3. The dishwasher gives an audible warning when it is ON,
4. Then, press and hold "Program Selection + Cancel" key until "SL" is represented on the display, display, the dishwasher will display the last setting,
5. The amount of Salt is adjusted by pressing "Program Selection + Cancel" key,
6. After the adjustment, turn off (by pressing Start/Pause + On/Off key) the dishwasher to save the selected salt amount.

## SALT REFILL INDICATOR


 **WARNING:** If the salt indicator light comes on during a program, wait until the end of the program to fill the salt reservoir with dishwasher salt.

After the salt reservoir has been filled, the refill indicator may still be lit up if the salt concentration has not yet reached the correct level. It will go out when the correct concentration is reached.

**NOTE:** The salt refill indicator will be turned off if the dishwasher has been programmed for a water hardness below 9° F.


## OPERATION


### DETERGENT USAGE


 **WARNING:** Use a detergent specifically designed for use in domestic dishwashers.


- Use powder, gel, and tablet detergents in the market that have been designed for household dishwashers.
- Detergent should be put into the compartment prior to starting the dishwasher.
- Add the proper detergent for the selected program to ensure the best performance.
- Use less detergent if the dishes are only lightly soiled. Using excess detergent can leave a film on dishes and in the dishwasher resulting in poor wash performance.
- Do not use detergent tablets for shorter wash cycles. The tablet may not dissolve completely, causing detergent residue on dishes and inefficient cleaning.

**NOTE:** The amount of detergent needed depends on the cycle, load size, and soil level of dishes. Too much detergent in soft water may cause glass corrosion and does not dissolve in water.

 **WARNING:** Do not use too much detergent if your water supply is soft.

 **WARNING:** Keep detergents in cool, dry places out of reach of children. See the detergent manufacturer's instructions for further information.

 **WARNING:** Detergent tablets do not fully dissolve with short programs. To prevent detergent residues on the tableware, use the tablets with long programs.

 **WARNING:** Do not use detergent in Rinse cycle. If you do not know the hardness of your water supply, use 15 ml/3 tsp detergent. Increase the amount of detergent if there are white water marks, especially on the surface of the glassware.

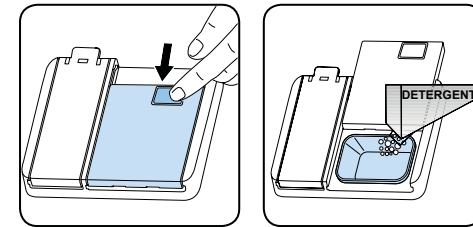
- If more information is needed concerning the detergent, contact detergent manufacturers directly.
- Check that the detergent dispenser is empty after the completion of each wash program.

## OPERATION

### FILLING THE DETERGENT


**NOTE:** The dispenser should be refilled just before the start of each program.


1. Push the latch to open the detergent container as shown in the image.





2. Put the detergent into the dispenser.
3. Detergent pod has level lines inside. Measure the right detergent amount using these lines. Detergent pod can take 40 cm<sup>3</sup> detergent. Open the dishwasher detergent and pour 25 cm<sup>3</sup> into the larger compartment if the dishes are heavily soiled. Pour 15 cm<sup>3</sup> if they are less soiled. Add more detergent into the dishwasher depending on the degree of soil and on the water hardness level in your area.
4. Close the flap of dispenser.

**NOTE:** The flap is always open at the end of a program.

 **WARNING:** Follow instructions on the package of the detergent when using liquid dishwasher detergent, concentrated powder detergent, or tablet detergent.

 **WARNING:** Amounts may vary using liquid or concentrated powder detergent. Tablet detergents should be placed in detergent container.

 **WARNING:** Deviations are possible depending on how dirty the dishes are and how hard the water is in your location.

 **WARNING:** Use only the proper amount of detergent. Continued use of too much detergent may cause dishwasher damage.

## OPERATION

### Using Combined Detergents

- Detergent manufacturers also manufacture combined detergents that are called 2 in 1, 3 in 1, 5 in 1, etc.
- The 2 in 1 detergents contain detergent salt or rinse aid. While using the 2 in 1 detergents, it should be observed which functions the tablet consists of.
- The other tablet detergents also have detergent, rinse aid, salt, various extra functions.
- Generally, combined detergents produce sufficient results under certain usage conditions only. Such detergents contain rinse aid and/or salt in preset amounts.

### Points to consider when using this type of products:

- Always make sure to check the specifications of the products and whether or not it is a combined product.
- Check if the detergent used is appropriate for the hardness of the water that the dishwasher will use.
- Observe the instructions on packagings when using such products.
- If such detergents are in the form of tablets, never put them into the interior section or the cutlery basket of the dishwasher. Always put the tablets into the detergent compartment in the detergent dispenser.
- They produce good results for certain types of usage only. If using this type of detergents, contact the manufacturers and find out about the suitable conditions of use.
- When the conditions of use of such products and the dishwasher settings are appropriate, they ensure savings in salt and/or rinse aid consumption.
- Contact the detergent manufacturers if wash results are not optimal (if the dishes stay calcareous and wet) after having used 2 in 1 or 3 in 1 detergents. The scope of warranty for the dishwasher does not cover any complaints caused by the use of these types of detergents.
- Recommended usage: To obtain better results while using combined detergents, add salt and rinse aid into the dishwasher and adjust the water hardness setting and the rinse aid setting to the lowest position.

## OPERATION



CAUTION

**CAUTION:** Solubility of the tablet detergents produced by different companies can vary depending on the temperature and time. Therefore, it is not recommended to use such detergents in short programs. It is more suitable to use powder detergents in such programs.



WARNING

**WARNING:** Should any problem that has not been encountered before arise with the use of this type of detergents, contact the detergent manufacturers directly.

### If no longer using combined detergents:

- Fill the salt and rinse aid compartments.
- Adjust the water hardness setting to the highest position and run an empty wash.
- Adjust the water hardness level.
- Make the suitable rinse aid setting.

### RINSE-AID USAGE

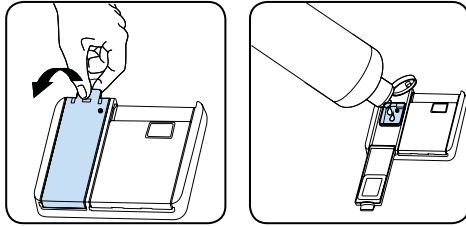
Rinse-aid makes dishes sparkle and helps them to dry without spotting. Rinse-aid is required for stain-free utensils and clear glasses.

- Filling the rinse aid reservoir with detergent will damage the reservoir. Only pour rinse aid formulated for residential dishwashers into the reservoir.

**NOTE:** When the Rinse Aid indicator lights up, the rinse aid reservoir contains sufficient rinse aid for 2 - 3 programs only. When using "Tab" detergents, rinse aid is not needed.

## OPERATION

### FILLING THE RINSE-AID AND SETTING



1. To fill the rinse aid compartment, open the rinse-aid compartment cap.
2. Fill the compartment with rinse-aid to the MAX level and then close the cap. Be careful not to overfill the rinse aid compartment and wipe up any spills.
3. Close the cap until it click. Otherwise, water can enter the rinse-aid reservoir during a program.

In order to change the rinse-aid setting, follow the below steps before turning on the dishwasher:

1. Open the door of the dishwasher,
2. Press and hold "Start/Pause + On/Off" key for 3 seconds,
3. The dishwasher gives an audible warning when it is ON,
4. Then, press and hold "Program Selection + Cancel" key until "rA" is represented on the display, the dishwasher will display the last setting,
5. The amount of rinse aid is adjusted by pressing "Program Selection + Cancel" key.
6. After the adjustment, turn off (by pressing Start/Pause + On/Off key) the dishwasher to save the selected rinse-aid amount.

**NOTE:** If the dishes are not drying properly or are spotted, increase the level. If blue stains form on the dishes, decrease the level.


Level	Brightener Dose	Indicator
1	Rinse - aid not dispensed	r1 is shown on the display
2	1 dose is dispensed	r2 is shown on the display
3	2 doses are dispensed	r3 is shown on the display
4	3 doses are dispensed	r4 is shown on the display
5	4 doses are dispensed	r5 is shown on the display

## OPERATION


### LOADING THE DISHWASHER

Places the dishes into the dishwasher properly is the best for energy consumption, washing and drying performance.

- Load round and deep items, such as pots with long handles, pot lids, plates, salad plates, and cutlery sets, into the lower basket.
- The upper basket is designed for dessert plates, salad bowls, cups, and glasses.
- When placing long stem glasses and goblets, lean them against the basket edge, rack, or glass supporter wire and not against other items. Do not lean long glasses against one another as they cannot remain steady and may receive damage. It is better to arrange the thin narrow parts into the middle sections of baskets.
- Place spoons among the other cutlery sets in order to prevent them from sticking to one another. Use the cutlery grid in order to obtain the best result. To avoid any possible injuries, always place such long-handle and sharp-pointed dishes as serving fork, bread knife, etc. with their sharp points facing down or horizontally on the baskets.

 **WARNING:** Place dishes into the dishwasher in a way that they will not prevent the upper and lower spray arms from spinning.

**NOTE:** Place all large and very dirty items in the lower rack.

 **WARNING:** Do not put items that can absorb water (sponges, household cloths, etc.) into the dishwasher.


**NOTE:** Place all containers such as cups, glasses, and pots into the dishwasher with the opening facing downwards (so that no water can collect).

**NOTE:** Dishes and cutlery should not be placed above each other.

## OPERATION

**NOTE:** Do not overload the dishwasher and pay attention to manufacturer instructions regarding which dishes are appropriate for use in a dishwasher. Only with suitable dishes will there be optimal washing results and appropriate use of energy.

High temperature water and dishwasher detergent may form a chemical synthesis that can damage certain items.

 **WARNING:** Be careful when loading and unloading sharp items. Load sharp knives with the handles up to reduce the risk of personal injury.

Follow the below steps before loading dishwasher.

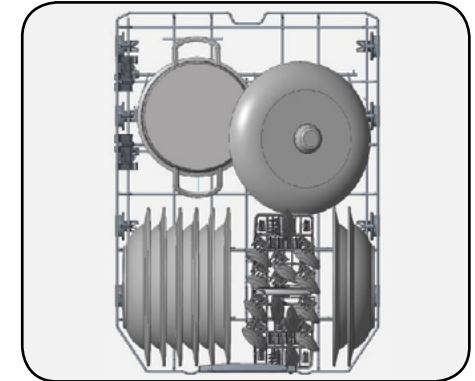
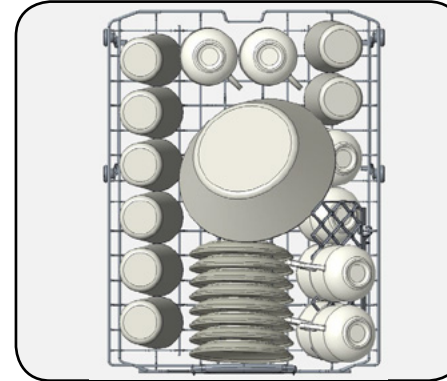
1. Open the door.
2. Remove coarse food leftovers from tableware.
3. Load the dishwasher.

**NOTE:** If the dishwasher door is opened while it is running, all functions are automatically interrupted. Once the door is closed functions will continue to work.

## OPERATION (18")

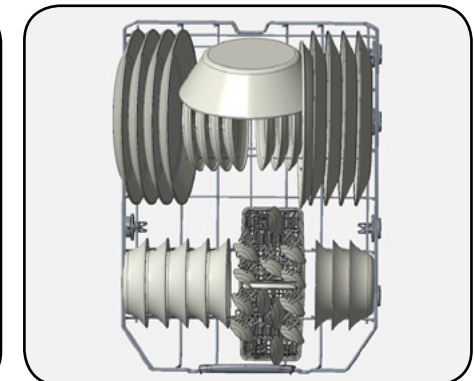
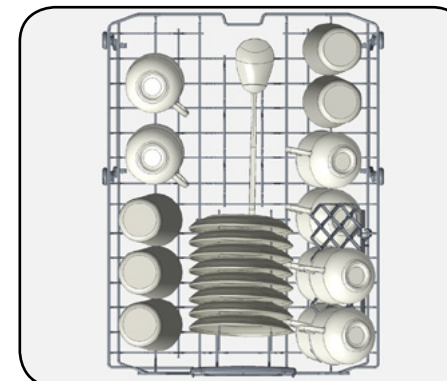
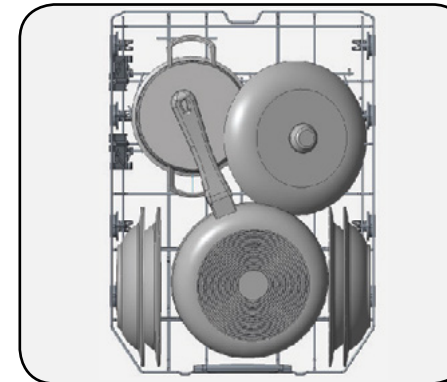
### UPPER RACK

Load the upper rack with dessert plates, cups, glasses etc.



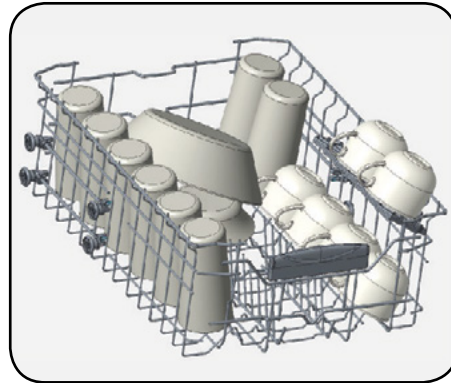
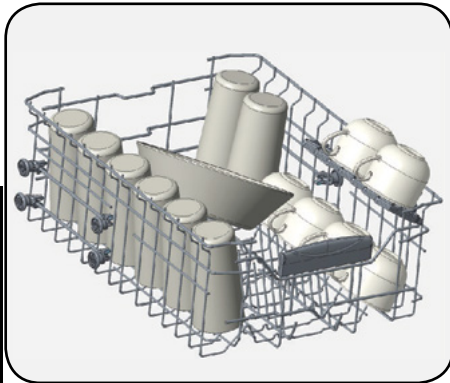
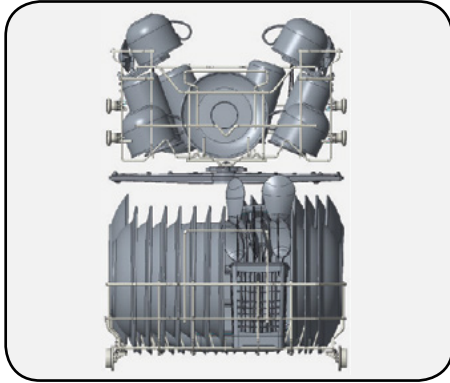
### LOWER RACK

Load the lower basket with items that are round and deep, such as pots with long handles, pot lids, plates, salad plates, and cutlery sets. The lower rack should not be used for small items, such as cups and wine glasses.



# OPERATION (18")

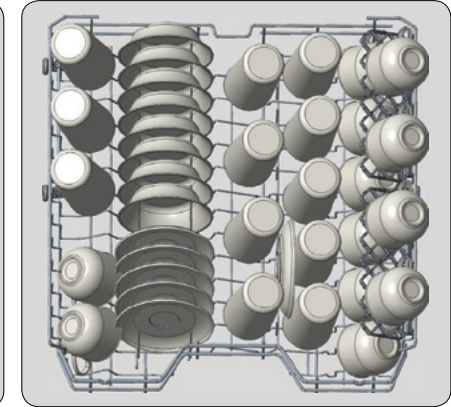
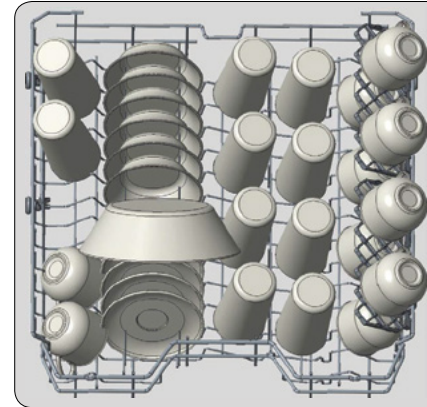
## INCORRECT LOADS



# OPERATION (24")

## UPPER RACK

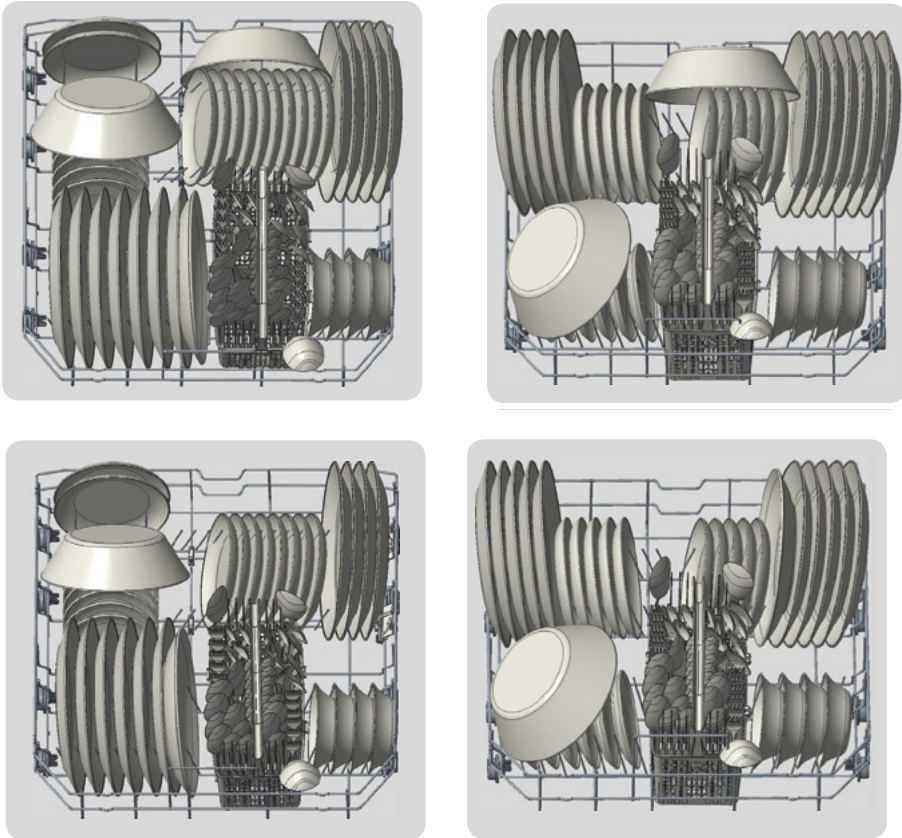
Load the upper rack with dessert plates, cups, glasses etc.



# OPERATION (24")

## LOWER RACK

Load round and deep items, such as pots with long handles, pot lids, plates, salad plates, and cutlery sets into the lower rack. The lower rack should not be used for small items such as cups and wine glasses.



**NOTE:** Place all large and very dirty items in the lower rack.

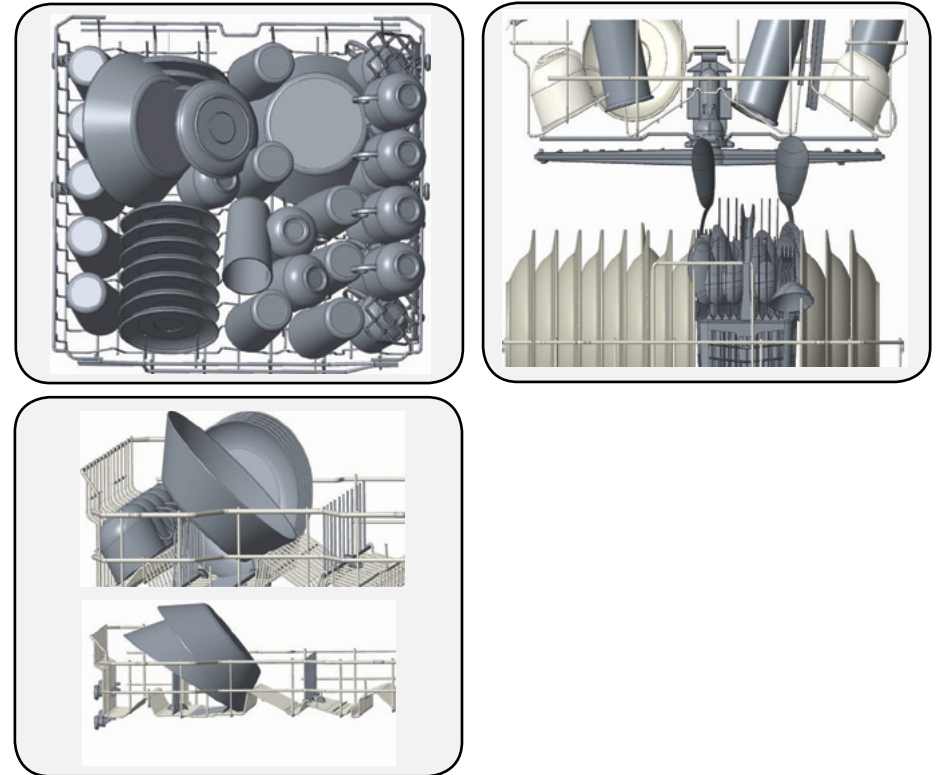


**WARNING:** Large knives and other utensils with sharp tips and edges must be placed horizontally into the upper rack due to risk of injury. Other smaller knives and sharp utensils should be placed with sharp side down in the cutlery basket.

**NOTE:** Make sure that large items do not interfere with the rotation of the spray arms, and do not prevent the detergent dispenser from opening.

# OPERATION (24")

## INCORRECT LOADS



## CUTLERY BASKET

6	4	4	4	4	5
3	3	3	3	3	
2	2	2	2	2	2
2	1	1	1	1	1
2	1	1	1	1	1
2	2	2	2	2	2
3	3	3	3	3	
2	4	4	4	4	5

1. Salad Fork
2. Teaspoon
3. Dinner fork
4. Solid Handle Knife
5. Serving Spoon
6. Serving Fork

Cutlery basket load pattern for 8 place settings.



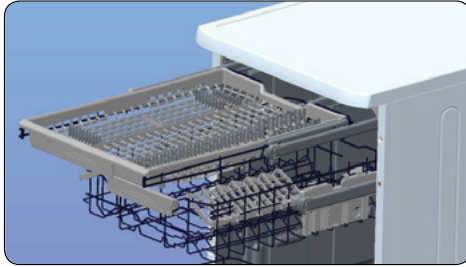
**WARNING:** Sharp cutlery may have shifted position during the wash operation and can be also wet and slippery. Carefully remove them to prevent injury.

**NOTE:** Small items should be placed in the cutlery basket because small items can fall through the holders from the baskets.

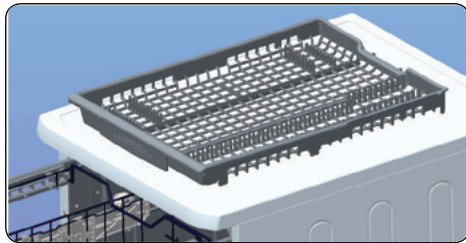


## OPERATION

The upper cutlery basket is designed for the placement of large and small cutlery and utensils.

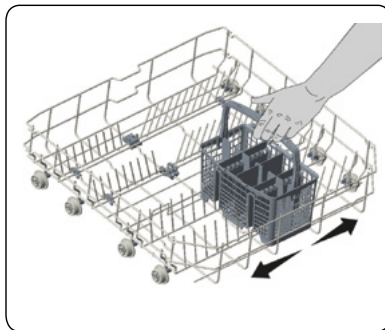


It is easily removed from the dishwasher, allowing ease of use when removing items, along with the basket, after washing.



**WARNING:** Knives and other sharp objects must be placed horizontally in the cutlery basket.

### SILVERWARE BASKET (24" ONLY)



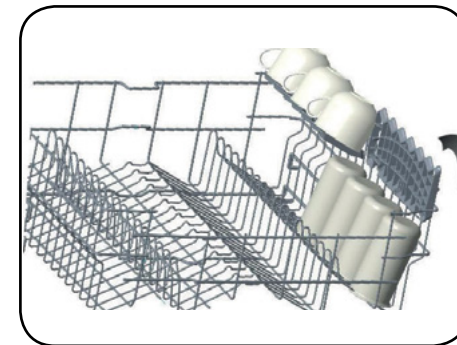
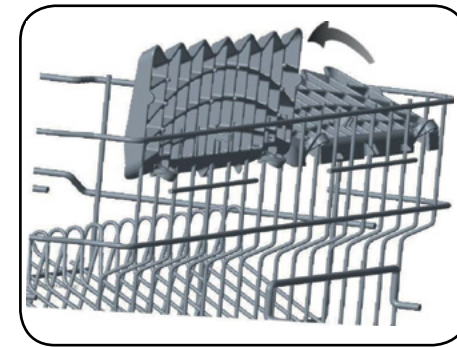
- The silverware basket is designed to wash dishes such as knives, forks, spoons, etc. in a cleaner manner.
- The cutlery basket can be moved, creating a wider space in the lower basket for dishes of different sizes.

## OPERATION

### TOP BASKET

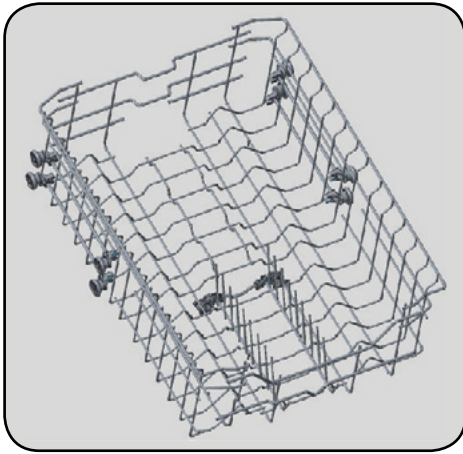
Rack with height adjustment

- These racks are designed to increase the capacity of top basket. Place cups and glasses on these racks. These racks are adjustable and can accommodate glasses of different sizes.
- Height adjustment brackets mounted on the basket allow racks to be in two different positions.
- Place long knives, forks and spoons on these racks horizontally for them not to block the movement of spray arms

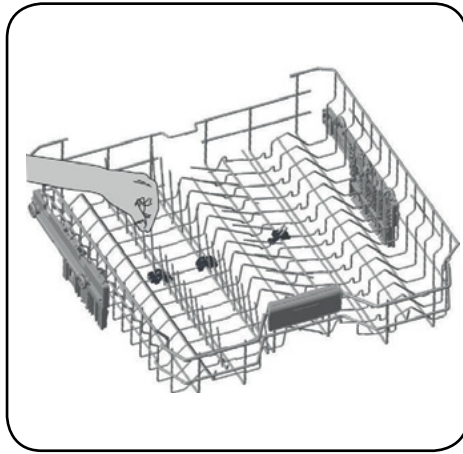


The top basket horizontal wire located on top basket allows for plates and bowls. Wash kitchenware such as pans or pots by closing the horizontal wire.

# OPERATION



18"



24"



NOTICE

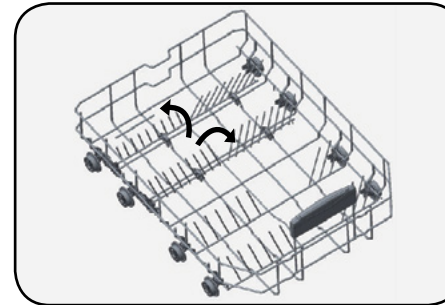
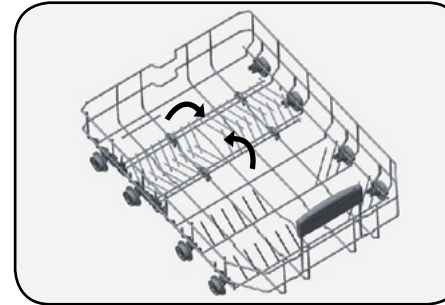
NOTICE: Bringing the wires to the horizontal position by holding them from the tips may cause them to bend. Therefore, it will be appropriate to bring the wires in the middle to horizontal or vertical position by holding them from their stems and pushing.

# OPERATION

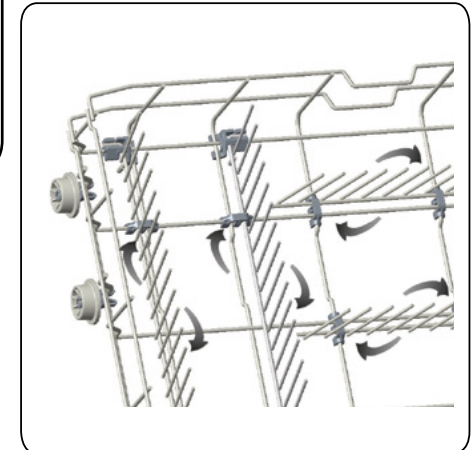
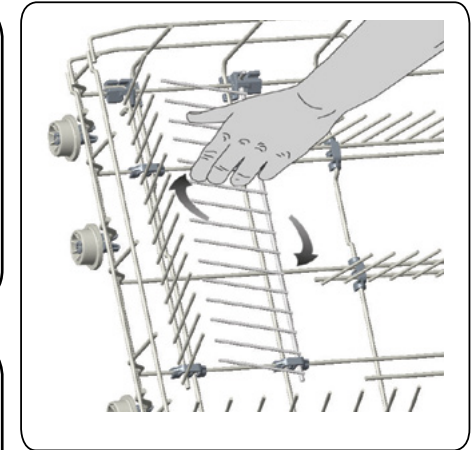
## LOWER BASKET FOLDING RACKS

Folding racks consisting of four parts that are located on the lower basket of the dishwasher are designed for big items easier such as pots, pans, etc. If requested, each part can be folded separately or all of them can be folded and larger spaces can be obtained. Use folding racks by raising them upwards, or by folding.

18"



24"



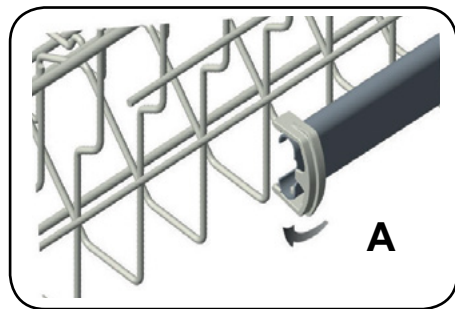
# OPERATION

## HEIGHT SETTING (WHEN BASKET IS EMPTY):

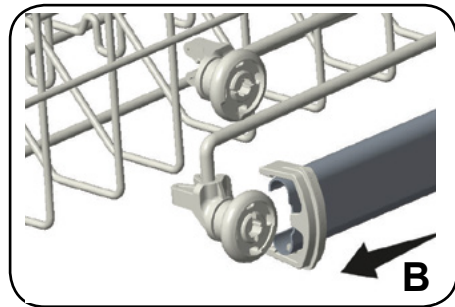
The height setting of the upper rack may be changed using the wheels which are present at two height levels.



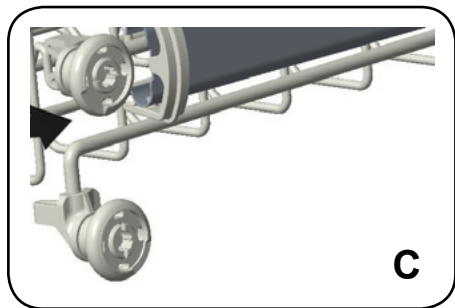
**CAUTION:** Make sure that the rack is empty. Changing the height setting while the rack contains tableware could cause the contents to dislodge, causing personal injury or damage to the tableware.



1. Release the latches on both the right and left tracks of the upper rack by turning them to the outside A.



2. Pull out the rack completely B.



3. Place the rack into the tracks again at the desired height C.

4. Push the latches back into the correct position.

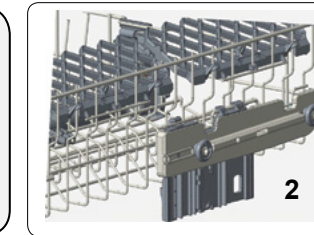
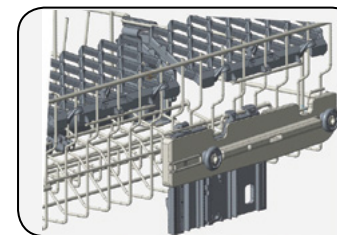
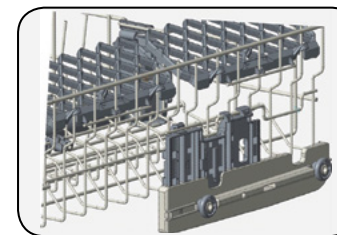
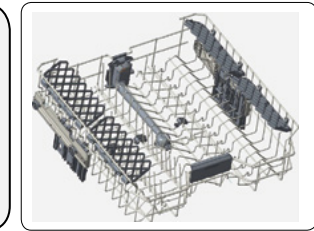
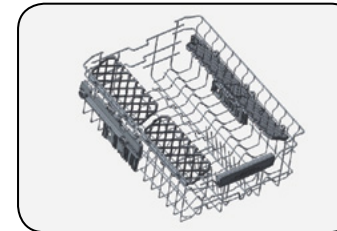
# OPERATION

## HEIGHT SETTING (WHEN BASKET IS FILLED):

The upper basket includes a mechanism which enables the height of the basket to be adjusted up or down without having to remove the basket. Hold the basket on both sides and pull it up or push it down, ensuring both sides of the upper basket are in the same position.

18"

24"



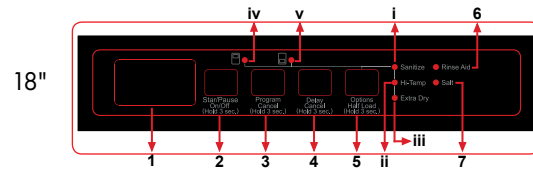
- The basket height adjustment mechanism on the top basket of the dishwasher is designed to let the height of the top basket move upwards or downwards, without removing it from the dishwasher when it is full and create large spaces at the top or bottom area of the dishwasher as needed.
- Basket of the dishwasher is set to upper position by default. In order to raise the basket, hold it from both sides and pull it upwards. In order to lower it, hold it from both sides again, and leave it. In loaded basket adjustment mechanism, make sure that both sides are in the same position. (up or down)



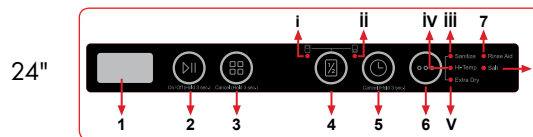
**NOTICE:** Make sure that both levers catch in the same height position.



## OPERATION



1. Display
2. On/Off + Start/Pause Key
3. Program Selection + Cancel Key
4. Delay Timer Key
5. Extra Options Key
  - i. Sanitize Options
  - ii. Hi-temp Options
  - iii. Extra Dry Options
- iv. Half Load - Upper Basket
- v. Half Load - Lower Basket
6. Rinse Aid Indicator
7. Salt Indicator



1. Display
2. On/Off + Start/Pause Key
3. Program Selection + Cancel Key
4. Half Load Key
  - i. Upper Basket Half Load Led
  - ii. Lower Basket Half Load Led
5. Delay Timer Key
6. Options Key
  - iii. Sanitize Function Led
  - iv. Hi-Temp Function Led
  - v. Extra Dry Function Led
7. Rinse Aid Indicator
8. Salt Indicator

## OPERATION

### KEYS

#### ON/OFF KEY

This key is used as On/Off key if the corresponding button is held down for 3 seconds. Otherwise, it can be used as Start/Pause key. It is used to turn on or turn off the dishwasher. Dishwasher will turn on with Regular program and the number and the duration of the regular program will appear on the display. Each of program number and the duration will sequentially represent for 2 seconds on the display. In Off position, the display will turn off.

#### START/PAUSE KEY

It is used to start or pause a selected program and functions.

#### PROGRAM SELECTION/CANCEL KEY

- It is used to select the washing program determined from the programs table.
- The cancel key is activated when Program Selection/Cancel Key is held down for 3 seconds.

#### DELAY TIMER KEY

It should be pressed to make the time delay settings.

#### HALF LOAD KEY (24")

It is used to add Half Load functions to the selected program.

#### OPTIONS KEY

It is used to add auxiliary functions to the selected program.

#### PREPARING THE DISHWASHER

1. Open the door of the dishwasher.
2. Place the dishes in accordance with the instructions in the user manual.
3. Make sure that the upper and lower impellers rotate freely.
4. Put adequate amount of detergent into the detergent dispenser.
5. Check if the Salt and Rinse Aid indicators light and add salt and/or rinse aid if needed.

# OPERATION

## PROGRAM SELECTION

1. Press the On/Off key to turn on the dishwasher. Note that the door of the dishwasher is OPEN position.
  2. Refer to the "Programs Table" to determine a washing program suitable for the dishes.
  3. Press program selection key until the number of the program selected appears on the display.
- In order to start the selected program, Start/Pause key must be pressed and the door of the dishwasher must be closed within 4 seconds after the Start/Pause key is pressed.
  - If the door is not closed within 4 seconds, the dishwasher will not start. In this case; to start the selected program, the door must be opened, the Start/Pause key must be pressed and the door must be closed again within 4 seconds after the Start/Pause key is pressed.
  - If the door of the dishwasher is opened when the dishwasher is running, the dishwasher stops working. If the door is closed back within 4 seconds after the door is opened, the dishwasher will continue.
  - If the door stays open for more than 4 seconds, Start/Pause key must be pressed and the door of the dishwasher must be closed within 4 seconds after the Start/Pause key is pressed.

# OPERATION

	Programs		Duration (min)	Descriptions
18"	Regular	Dirty	140	Standard program for daily, regular or typical use to completely wash a load of normally soiled dishes.
		Clean	105	
	Auto	Dirty	155	This program automatically adjusts the temperature and the quantity of water, the energy consumption and the program duration.
		Clean	110	
	Intensive Plus		165	Suitable for heavily soiled dishes that are kept waiting.
	Intensive		130	Suitable for heavily soiled dishes
	Daily		117	Suitable for normally soiled daily dishes.
	Delicate		90	Suitable for lightly soiled delicate dishes.
	Super		50	Suitable for normally soiled daily dishes with faster program.
	Rinse		15	Suitable to rinse dishes that you plan to wash later.
24"	Regular	Dirty	145	Standard program for daily, regular or typical use to completely wash a load of normally soiled dishes.
		Clean	122	
	Auto	Dirty	155	This program automatically adjusts the temperature and the quantity of water, the energy consumption and the program duration.
		Clean	110	
	Intensive Plus		165	Suitable for heavily soiled dishes that are kept waiting.
	Intensive		130	Suitable for heavily soiled dishes
	Daily		117	Suitable for normally soiled daily dishes.
	Delicate		90	Suitable for lightly soiled delicate dishes.
	Super		50	Suitable for normally soiled daily dishes with faster program.
	Rinse		15	Suitable to rinse dishes that you plan to wash later.

## OPERATION

Compatibility of Programs and Options		Options			
		Half Load	Extra Dry	Sanitize	Hi-Temp
Programs	Regular	✓	✓	✓	✓
	Auto	✓	✓	✓	✓
	Intensive Plus	✓	✓	✓	✓
	Intensive	✓	✓	✓	✓
	Daily	✓	✓	✓	✓
	Delicate	✓	✓	✓	✓
	Super	✓	✓	✓	✓
	Rinse	✓	✓	✓	✓

**NOTE:** The program duration may change according to the amount of dishes, the water temperature, the ambient temperature and selected additional functions.

**NOTE:** The energy-usage label is based on the "Regular" program. This program is the most efficient in terms of its combined energy and water consumption at cleaning normally soiled dishes.

- Only use powder detergent for short programs.
- Short programs do not include drying.
- To assist drying, we recommend slightly opening the door after a cycle is complete.

## OPERATION

### AUXILIARY FUNCTIONS

The dishwasher's washing programs are designed to give the best cleaning effect, based on the type of the soil, soiling degree, and properties of the dishes to be washed. Auxiliary functions are provided in order to save time, water, and energy and to perform a more comfortable washing with conditions specific to every customer.

- Auxiliary functions may cause changes in the program duration.
- Auxiliary functions are not suitable for all washing programs. The dishwasher will buzz if a program is not compatible. The compatibility of the programs and options is shown on the "PROGRAMS AND OPTIONS TABLE" section.

### TO ADD AUXILIARY FUNCTION TO THE PROGRAM (18")

1. Select the desired washing program by pressing the program Selection key.
2. In the selected washing program, if auxiliary function is selected, the corresponding indicator will be active. If the Extra Function key is pressed again, the corresponding indicator of another auxiliary function will be active.
3. The selection of the auxiliary function will be canceled the Extra Function key is pressed six times.

### TO ADD AUXILIARY FUNCTION TO THE PROGRAM (24")

1. Select the desired washing program by pressing the Program Selection key.
2. In the selected washing program, if auxiliary function is selected, the corresponding function led will be on. If the Half Load or Options key is pressed again, the corresponding led of another auxiliary function will be on.
3. The selection of the auxiliary function will be canceled when the Half Load or Options button is pressed, until the selected option LED turns off.

## OPERATION

### SANITIZE OPTION

Sanitize function raises the water temperature in the final rinse.

- At the end of a successful sanitization, "00" is displayed on the display.

### HI-TEMP OPTION

When this option is selected, both the water temperature and the washing time are increased.

### EXTRA DRY OPTIONS

The dishwasher changes the water temperature from the value described for each different program and the extra dry is performed.

### HALF LOAD OPTION

It is used to operate the dishwasher without loading it completely.

1. Load dishes in the dishwasher.
2. Turn the dishwasher on with On/Off key.
3. Select the desired program and press the Half Load key. The Half Load indicator will light on the display.
4. Press Start/Pause key to start the selected program and close the door of the dishwasher.
5. With the Half Load function, save power while using the lower and/or upper baskets of the dishwasher.

## OPERATION

### PROGRAMMING THE WASHING TIME

#### Delay Timer

If an economical electricity tariff is applied in the region, use the Delay Timer function to wash dishes during appropriate hours. The start of the selected program can be delayed until 19 hours. Delay Timer cannot be set after the program starts.

1. Press the Delay Timer function key after selecting the washing program and other auxiliary functions.
2. Once the Delay Timer key is pressed, Display will show "1h" and Display will show program number, program duration and delay time alternately for 2 seconds.
3. Set the desired time by pressing the Delay Timer key. Time will increase with the increments of 1 hour every time the key is pressed.
4. In order to start the selected program with delay, Start/Pause key should be pressed and the door of the dishwasher must be closed within 4 seconds.

#### Changing the settings while Delay Timer is enabled

While the delay timer is activated, changes can not be made. To change the settings, open the door of the machine and change the program, auxiliary functions or duration of the delay time.

## OPERATION

### TO CANCEL THE DELAY TIMER FUNCTION

1. Open the door of the dishwasher.
2. Press and hold Delay Timer key for 3 seconds.
3. At the end of 3 seconds, delaying process will be canceled.
  - If the program is changed, the delay timer is canceled.
  - Delay Timer function can not be set after the program starts.

### STARTING THE PROGRAM

- First, open the door of the dishwasher. In order to start the dishwasher after selecting the program and auxiliary functions, press the Start/Pause + On/Off key. Once the program starts, the estimated time remained to the end of the program will appear on the display.
- The dishwasher performs water softening depending on the hardness level of the supply water. Remaining time displayed towards the end in some programs can be different from the time indicated at the beginning due to this process. The total time can also change while the program is running depending on the ambient temperature where the dishwasher is installed, temperature of the supply water and amount of the dishes.
- Pay attention not to open the door of the dishwasher when it is running. Stop the dishwasher by pressing Start/Pause key as soon as the door of the dishwasher is opened. In other situation, the dishwasher will stop automatically after 4 seconds when the door of the dishwasher is opened and any key is not pressed. To start a program, Start/Pause key is pressed and close the door of the dishwasher within 4 seconds.
- If the door is opened while the dishwasher is running, the dishwasher will switch to the standby mode. Press Start/Pause key and close the dishwasher door within 4 seconds, then the program will resume.

### CANCELING THE PROGRAM

1. Press program Selection + Cancel key for 3 seconds to cancel the program.
2. After 3 seconds, "1" will appear on the display. For a couple of minutes the dishwasher will fulfill the necessary operations required to cancel the program.
- There might be residues of detergent or rinse aid left in the dishwasher and/or on the pieces being washed depending on what step the canceled program was in.

## OPERATION

### SALT INDICATOR

Please check the salt indicator on the control panel to see whether there is adequate amount of softening salt in the dishwasher or not. Refill the salt reservoir with salt whenever salt warning indicator appears on the control panel of the dishwasher.

### RINSE AID INDICATOR

Please check the rinse aid indicator on the control panel to see whether there is adequate amount of rinse aid in the dishwasher or not. Refill the rinse aid reservoir with rinse aid whenever rinse aid warning indicator appears on the control panel of the dishwasher.

### END OF PROGRAM

"00" will be displayed when the washing program is over.

1. Open the door of the dishwasher.
2. Press Start/Pause + On/Off key to turn off the dishwasher.
  - Leave the dishes in the dishwasher for about 15 minutes to cool down after they are washed. The dishes will dry in a shorter time if the door is left ajar during this period. This process will increase the drying effectiveness of the dishwasher.

### WATER CUT - OFF WARNING


If main water is cut or water inlet tap is turned off, the dishwasher can not take water in and "FF" will flash continuously on the display. As long as the problem continues, the washing program is stopped and water inlet is checked regularly by the user. If the water inlet is provided, the dishwasher gets ready to start a new program.

### OVERFLOWING WARNING


If the dishwasher intakes too much water or there is leakage at any of the components, then the dishwasher will detect this and "F1" will flash on the display. As long as the overflowing continues, safety algorithm will be active and try to discharge the water. If overflowing stops and safety is assured, "F1" will disappear. If "F1" does not disappear, there is a permanent fault. In this case, the authorized service should be contacted.


## MAINTENANCE AND CLEANING

### MAINTENANCE AND CLEANING

 **WARNING** : Before cleaning or carrying out maintenance, switch off the appliance, disconnect the main plug and turn off the water tap.

The dishwasher can only be repaired by an authorized service agent. Do not try to repair the dishwasher unless any recommendation by this manual.

 **WARNING** : All surfaces are susceptible to scratching. Contact with unsuitable cleaning agents can alter or discolor all surfaces.

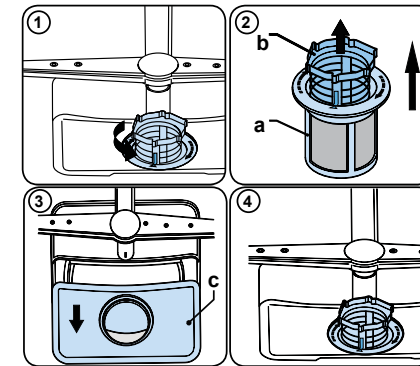
 **WARNING** : Keep the floor around the dishwasher clean and dry to prevent any possible injury. Keep the dishwasher washer clean, empty, and door cracked open to allow air to circulate in case of any extended unused time.

- Dishwasher door can be damaged by abrasive cleaners, scouring pads, abrasive cloths. Cleaning the dishwasher in regular intervals prolongs the dishwasher's service life.
- Unplug the dishwasher and turn off its tap before starting the cleaning.
- Do not use hard materials when cleaning the dishwasher. Wipe with a fine cleaning material and a dampened cloth.
- **Oil and lime may accumulate in the dishwasher's washing section. In case of such accumulation:**
  - Fill the detergent compartment without loading any dishes into the dishwasher, select a program that runs at high temperature, and start the dishwasher. If that does not work, use special cleansing material available in the market. (Cleansing material produced special to dishwashers by detergent producers.)
- **Cleaning the seals in the dishwasher door:**
  - To clean any accumulated residues in the door seals, wipe the seals regularly by using a dampened cloth.
- **Cleaning the dishwasher:**
  - Clean the filters and spray arms at least once a month.

## MAINTENANCE AND CLEANING

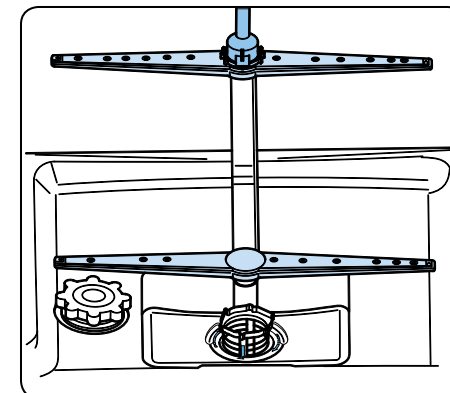
### Filters:

- Check if any food wastes have remained on the coarse and fine filters. If any food wastes are left, remove the filters and clean them thoroughly under the water tap.
- a. Micro Filter  
b. Coarse Filter  
c. Metal/Plastic



### SPRAY ARMS

- Check whether or not the holes for the upper and lower spray arms are clogged. If there is any clogging, remove the spray arms and clean them under water.
- Remove the lower spray arm by pulling it upwards, while the upper spray arm nut can be removed by turning the nut to the left.
- Be sure that the nut is perfectly tightened when refitting the upper spray arm.



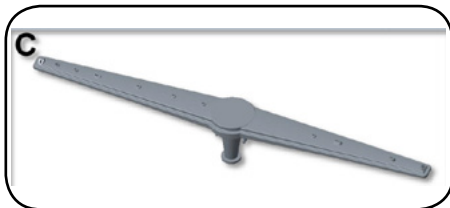
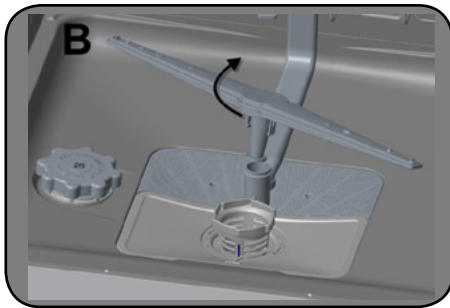
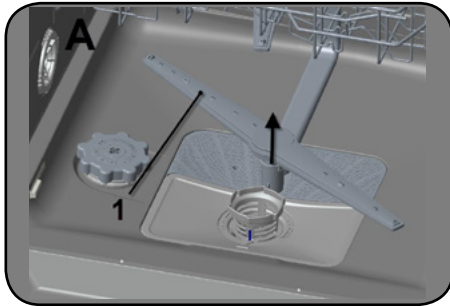
## MAINTENANCE AND CLEANING

### CLEANING THE IMPELLERS

Clean the impellers at least once a week in order for the dishwasher operates efficiently.

#### Lower Impeller

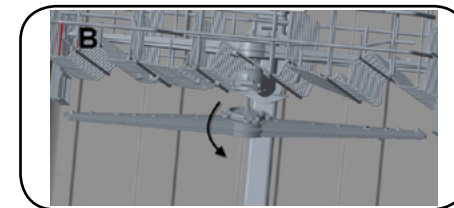
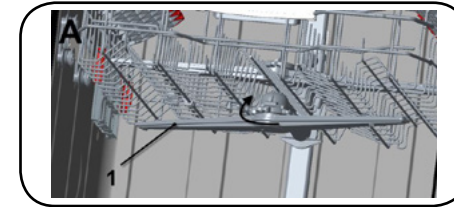
Check if the holes on the lower impeller (1) are clogged. If they are clogged, remove and clean the impeller. Pull the lower impeller up to remove it (A, B.)



## MAINTENANCE AND CLEANING

#### Upper Impeller

Check if the holes on the upper impeller (1) are clogged. If they are clogged, remove and clean the impeller. Turn its nut to left to remove the upper impeller (A, B). Make sure that the nut is tightened well when installing the upper impeller.



# TROUBLESHOOTING



ZLINE Customer Service is available at 1-614-777-5004.

POSSIBLE FAULT	POSSIBLE FAULT	WHAT TO DO
FF	Water inlet system failure	Make sure the water inlet tap is open and water is flowing.
		Separate the inlet hose from the tap and clean the filter of the hose.
		Contact customer service if the error continues.
F5	Pressure system failure	Contact customer service.
F3	Continuous water input	Close the tap and contact customer service.
F2	Inability to discharge water	Water discharge hose and filters may be clogged.
		Cancel the program.
		If the error continues, contact customer service.
F8	Heater error	Contact for customer service.
F1	Overflow	Unplug the dishwasher and close the tap.
		Contact customer service.
FE	Faulty electronic card	Contact customer service.
F7	Overheating	
F9	Divisor position error	
F6	Faulty heater sensor	
HI	High voltage failure	

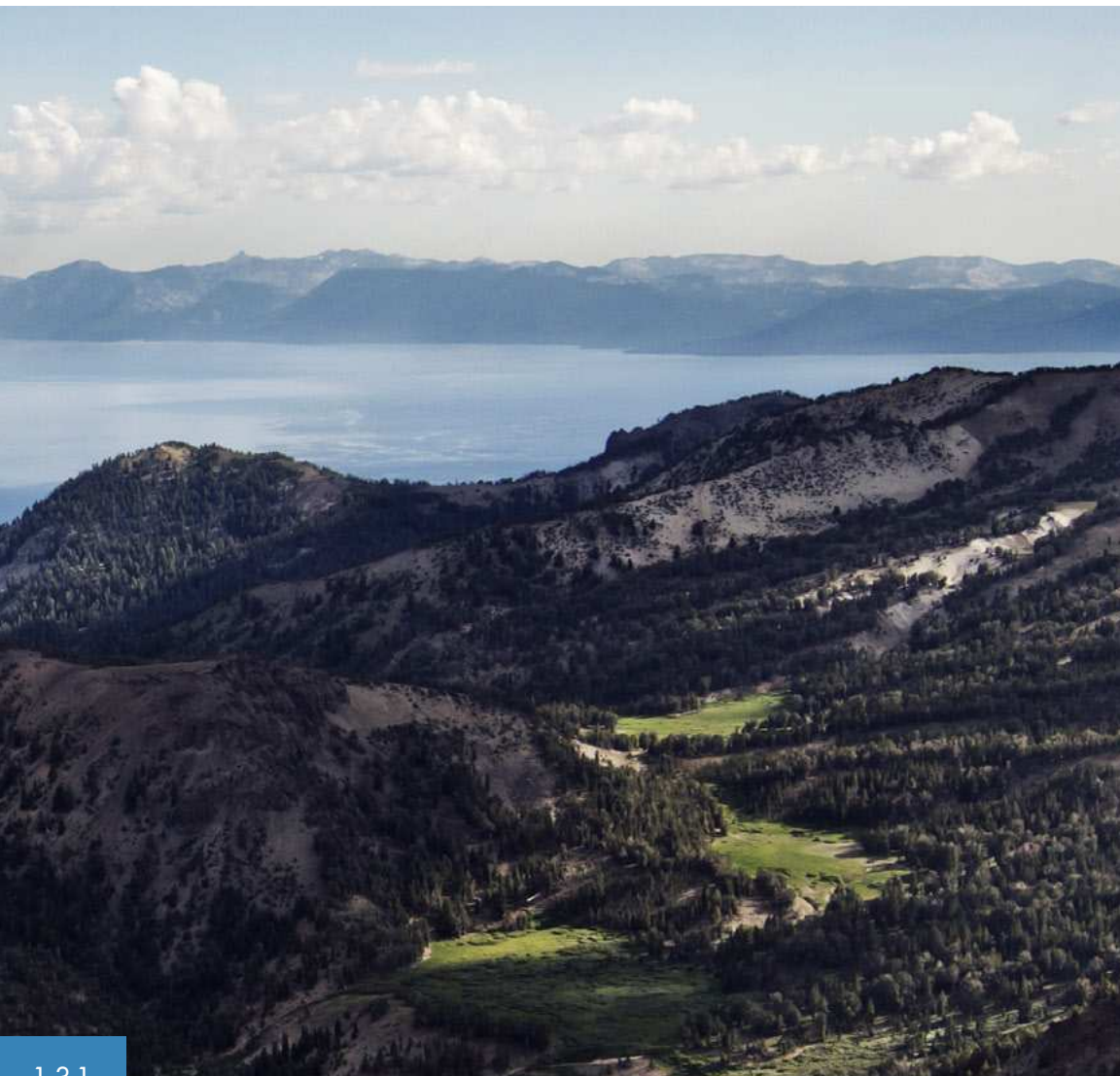
# TROUBLESHOOTING

FAULT	POSSIBLE CAUSE	TROUBLESHOOTING
The screen does not come on.	The breaker is not in the on position.	Switch the breaker to the on position.
	The supply cord is not plugged in.	Plug in the supply cord.
The program does not start.	Your dishwasher is not plugged in	Plug your dishwasher in
	Your dishwasher is not switched on.	Switch your dishwasher on by pressing the On/Off key.
	Fuse blown.	Check your indoor fuses.
	Water inlet tap is closed.	Turn on the water inlet tap.
	Your dishwasher door is open.	Close the dishwasher door.
	Water inlet hose and dishwasher filters are clogged.	Check the water inlet hose and dishwasher filters and make sure they are not clogged.
Water remains inside the dishwasher.	Water drain hose is clogged or twisted.	Check the drain hose, then either clean or untwist it.
	Water drain hose comes out of air gap next to sink.	
	Drain hose is in the way.	Remove drain hose from disposal, making sure plug is removed.
	The filters are clogged.	Clean the filters.
	The program is not finished yet.	Wait until the program is finished.
No water is coming into the dishwasher.	The water shut-off is in the on position.	Switch the water shut-off to the off position.
Dishwasher stops during washing.	Power failure.	Check main power.
	Water inlet failure.	Check water tap.



# TROUBLESHOOTING

FAULT	POSSIBLE CAUSE	TROUBLESHOOTING
Shaking and hitting noises are heard during a wash operation.	The spray arm is hitting the dishes in the lower basket.	Move or remove items blocking the spray arm.
Partial food wastes remain on the dishes.	Dishes placed incorrectly, sprayed water not reaching affected dishes.	Do not overload baskets.
	Dishes leaning on each another.	Place dishes as instructed in the section on loading your dishwasher.
	Not enough detergent used.	Use the correct amount of detergent, as instructed in the program table.
	Wrong wash program selected.	Use the information in the program table to select the most appropriate program.
	Spray arms clogged with food waste.	Clean the holes in the spray arms with thin objects.
	Filters or water drain pump clogged or filter misplaced.	Check the drain hose and filters are correctly fitted.



1.3.1



ATTAINABLE **LUXURY**<sup>®</sup>

1-614-777-5004  
contact@zlinekitchen.com

[www.zlinekitchen.com](http://www.zlinekitchen.com)