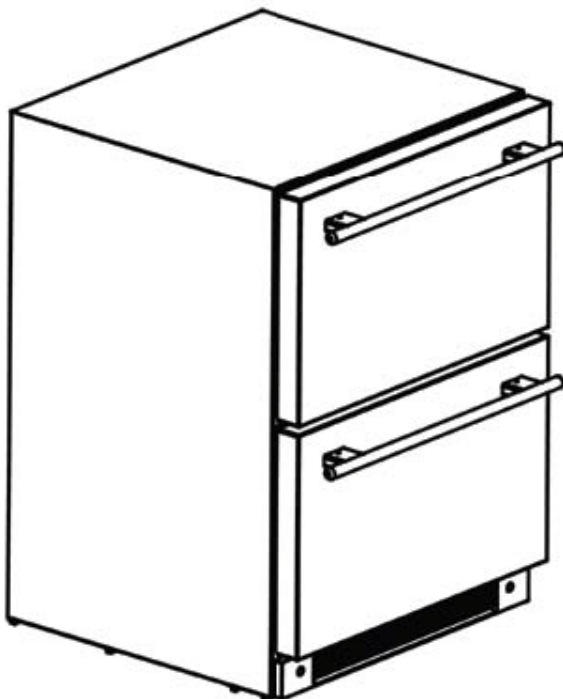


# Dual-Drawer Refrigerator

## Réfrigérateur à deux tiroirs



### *User Manual | Guide d'utilisation*

Models | Modèles :

SP5DS2DBLK (Black exterior | extérieur noir)

SP5DS2DSSH (Stainless steel door | porte en acier inoxydable)

**SUMMIT**  
P R O F E S S I O N A L

# Important Safeguards

**When using this appliance, always exercise basic safety precautions, including the following:**

1. Read all of the instructions before using this appliance.
  2. Use this appliance only for its intended purpose as described in this use and care guide.
  3. This refrigerator must be properly installed in accordance with the installation instructions before it is used. See grounding instructions in the installation section.
  4. Never unplug your refrigerator by pulling on the power cord. Always grasp the plug firmly and pull straight out from the outlet.
  5. Unplug your refrigerator before cleaning or before making any repairs.  
**Note:** If for any reason this product requires service, we strongly recommend that a certified technician performs the service.
  6. Repair or replace immediately, all electric power cords that have become frayed or otherwise damaged. Do not use a cord that shows cracks or abrasion damage along its length, the plug or the connector end.
  7. This appliance is designed for built-in use only into an enclosed cabinet.
  8. If your old refrigerator is not being used, we recommend that you remove the door and leave the shelves in place. This will reduce the possibility of danger to children.
  9. Do not operate your refrigerator in the presence of explosive fumes.
  10. Cabinet edges along stamp/cut-out areas may be sharp. Please avoid placing hands, fingers or other appendages near these areas.
  11. This appliance is not intended for use by young children or infirm persons without supervision. Young children should be supervised to ensure they do not play with the appliance.
- 12. CAUTION: DO NOT USE EXTENSION CORDS.**

## SAVE THESE INSTRUCTIONS

# DANGER

**Risk of child entrapment. Before you throw away your old appliance, take off the doors. Leave the shelves in place so that children may not easily climb inside.**

# Table of Contents

PAGE

<b>Important Safeguards</b> .....	1
<b>Parts and Overall Dimensions</b> .....	3
<b>Pre-Installation Instructions</b> .....	4
Preparation before installing .....	4
Installation .....	5
<b>Interior Parts</b> .....	6
Crisper .....	6
Adjustable Divider .....	6
<b>Drawers</b> .....	8
Upper Drawer .....	8
Lower Drawer .....	8
<b>How To Use This Product</b> .....	8
Important notes before connecting the power supply .....	8
Connect the power supply .....	8
Interior LED bulbs .....	8
Temperature setting .....	8
Centigrade and Fahrenheit Conversion .....	9
Power switch .....	9
Sabbath mode .....	9
Door Ajar Alarm .....	10
Auto Defrost .....	10
<b>Cleaning</b> .....	10
<b>Troubleshooting</b> .....	11
<b>Limited Warranty</b> .....	12

Thank you for using our Summit product. This easy-to-use manual will guide you in getting the best use of your refrigerator.

Remember to record the model and serial number. They are on a label in back of the refrigerator.

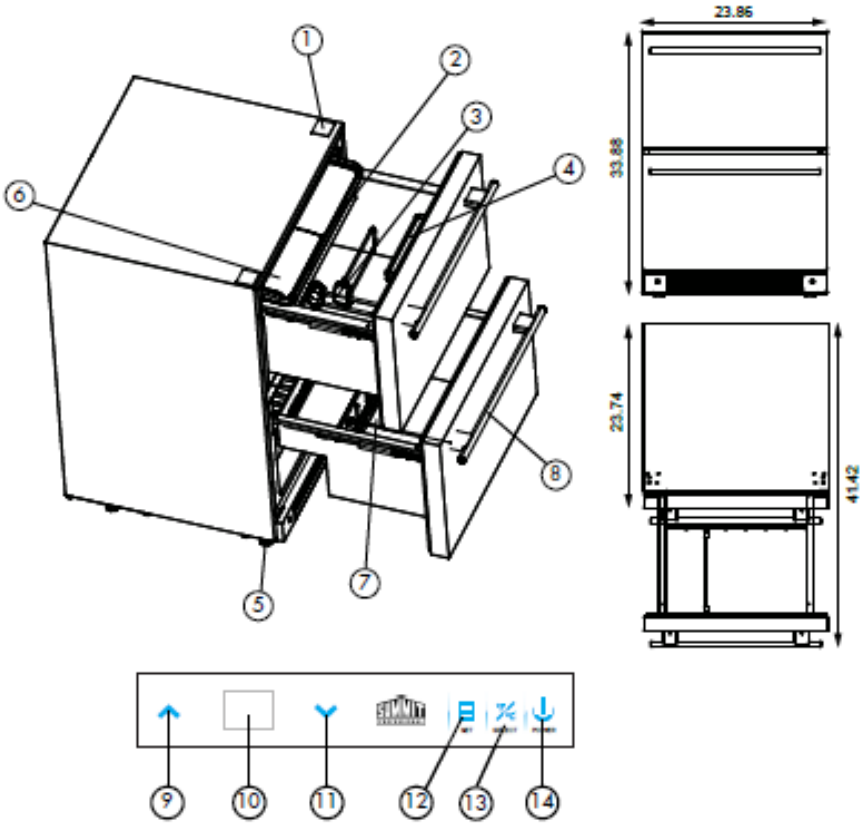
Model number:

Serial number:

Date of purchase:

Staple your receipt to your manual. **You will need it to obtain warranty service.**

# Parts And Overall Dimensions



- |                         |                      |
|-------------------------|----------------------|
| 1. Hinge Cover          | 8. Handle            |
| 2. Crisper              | 9. Temperature Up    |
| 3. Upper Drawer Divider | 10. LED Screen       |
| 4. Control Panel        | 11. Temperature Down |
| 5. Feet                 | 12. Control Lock/Set |
| 6. Accessory Package    | 13. °C/°F Conversion |
| 7. Lower Drawer Divider | 14. Power Switch     |

# Pre-Installation Instructions

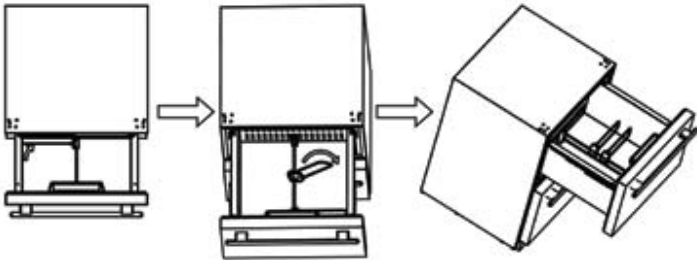
This refrigerator is for built-in use only. Before use, this product must be installed properly. To allow for proper ventilation, leave a clearance of at least 3/16" on either side, 1/16" at the top and 2" at the rear when installing. Be sure that airflow under the appliance is not blocked.

**Note:** Allow the unit to sit on its base for at least one hour before installation.

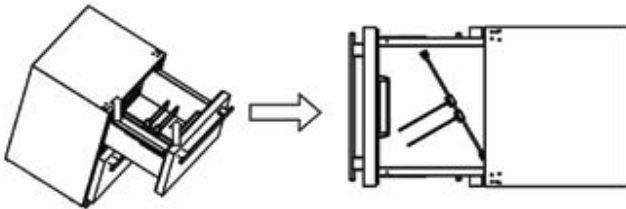
## Preparation Before Installing

First, clean product's surface with a soft cloth. Remove all protective packaging covering the product.

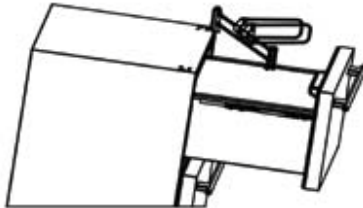
1. Pull the upper drawer open. Refer to the illustrations below. Remove crisper and set aside. Then place drawer dividers to one side as illustrated.



2. With two hands, lift up on the metal drawer divider rod to remove it from the slots in the front and rear of the drawer. Once the drawer divider rod is free from the slots (as illustrated), turn and lift so as not to hit the control panel.



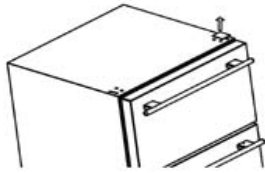
3. Take the drawer divider assembly out of the upper compartment and place safely aside.



**Note:** After completing these three steps, please close the upper drawer to avoid damage to your person and product during installation.

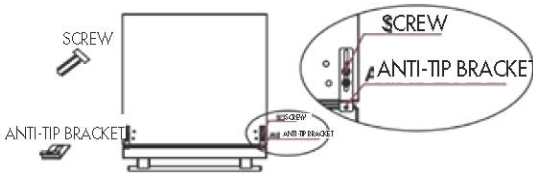
# Installation

1. Take off hinge cover(Part #1, page 3) with an upward motion. Refer to illustration below:

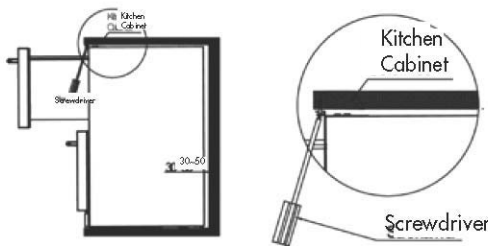


2. Take the anti-tip bracket and screws from the accessory bag. Tighten the anti-tip bracket on the top of the product with screws as follows in the illustration.

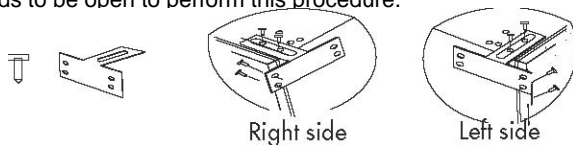
**Note:** Follow instructions properly or you may do damage to the product.



3. Pull upper drawer open and attach the anti-tip bracket to counter by screw as seen below. Adjustment of the leveling legs under the unit may be necessary for a proper fit in the cabinet opening. Start with the rear legs (if necessary) before you slide the unit fully into the opening - raise or lower the rear legs to make the unit fit properly. Then carefully slide the unit into opening so as not to damage accidentally the cabinetry or flooring. Then perform the same adjustments to the front leveling legs to bring the front of unit to the proper level to install the anti-tip bracket and fit evenly under the counter.



4. Another set of anti-tip brackets for side installation is provided as option when the counter top is granite and hard to fix by screws. This set of brackets includes two anti-tip brackets and eight screws for installation on left side and right side of the cabinet. The illustration below shows this. The drawer needs to be open to perform this procedure.



# Interior Parts

## Crisper

One crisper with cover is located in the upper drawer.

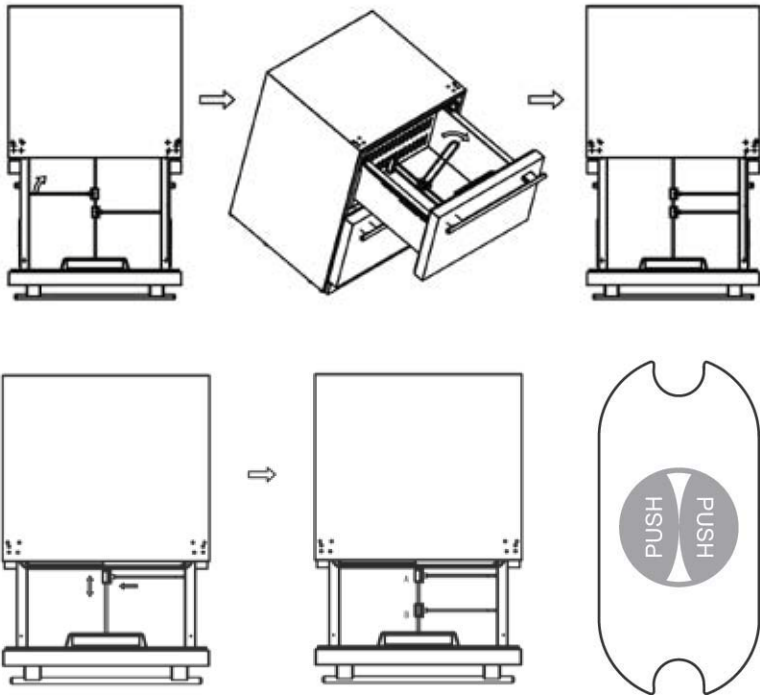
Purpose: Convenient storage of fresh vegetables. The user can remove the crisper if it is not needed.

## Adjustable Divider

There is an adjustable divider in each drawer. These can be adjusted for flexibility in food storage. Dividers can be removed if not needed.

Note: If dividers are removed, keep them in a safe place away from children. The drawers are designed to hold up to 44.1 lbs/20kg of food items.

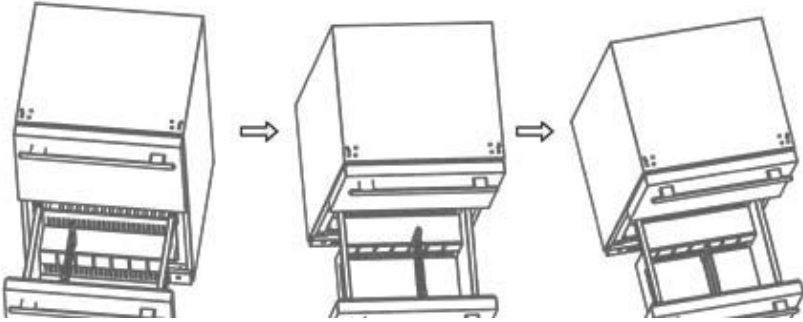
You can separate a compartment into various configurations, as shown.



The upper compartment is separated by a divider fastened to the bin cradle of the upper compartment. Those two dividers can be adjusted left and right, also back and front. For left and right adjust: rotate directly. For back and front: you should press the "PUSH" button (see illustration) in middle connector and move it back to front. If you want to clean your refrigerator, you can remove the shelf following steps located in section *Preparation Before installation*.

Purpose: User can separate the upper compartment with divider according to personal needs. This feature also keeps foods from falling down or spilling when the drawers are opened or closed.

Adjust the divider in the lower compartment by referring to illustration:



The divider in the lower compartment is fixed between the embossments of the front and back walls of the drawer. You can choose different embossments to divide into different spaces in the drawer.

Purpose: Separate the lower compartment with divider according to personal needs.

# Drawers

## Upper Drawer

Can hold any item under 12 inches tall.

## Lower Drawer

Lower drawer is separated by a step. Foods or beverages whose height is less than 12 inches can be kept in the space without the step. Smaller items can be placed on the step.

# How to use this product

## Important Notes Before You Connect the Power Supply

Actual power supply should be kept in accordance with marks on rating plate (115V/60HZ). Rating plate is on back of unit. Power socket should be equipped with a 10A fuse. Allow the unit to sit on its base for at least one hour before installation.

CAUTION: DO NOT USE AN EXTENSION CORD.

## Connect the power supply

Unit is tested and set to operate at 38°F before leaving the factory. When connected with the power supply, unit will work properly.

## Interior LED bulbs

An LED bulb is located on top of the interior liner in both the upper and lower compartments. It is controlled by the opening and closing of the drawer: when the drawer is open, the light is on; when drawer is closed, light is off.

Caution: There are magnets that are affixed to the left side of the interior upper drawer and to the bottom of the lower drawer door. Don't remove them as they are required for proper functioning of the light system.

## Temperature setting

If you want to change the set temperature, press "SET" for three seconds. The unit will beep, the temperature will flash on the control panel, then you can adjust the figure using the '∨' and '∧' buttons.

If you want to lower the temperature, press the '∨' button. If you want to raise the temperature, press the '∧' button.

When the desired temperature appears on the display, press the "SET" button again to confirm your setting. The user will hear a beep and the temperature will no longer flash.

**Temperature range is : 34-45°F (1-7°C)**



*Control panel*

## **Centigrade and Fahrenheit Conversion**

Press and hold "SELECT" for 3 seconds. The temperature display will change from Fahrenheit to Centigrade and the unit will beep once. Press and hold "SELECT" again for 3 seconds, and the display will change from Centigrade back to Fahrenheit. Again, the unit will respond with a beep.

## **Power switch**

The control panel has a Power button. If you want to stop unit from working for a short time or to restart, press and hold "POWER" for 3 seconds to turn on and off.

Note: If you want to stop the unit from working for an extended period of time, shut off the unit, unplug it, remove food, clean the refrigerator and leave the drawers slightly open to prevent odors.

## **Sabbath mode**

Press and hold '∧' and '∨' at the same time for 3 seconds. The unit will beep once and the display panel will flash 5 times and stop. This indicates that the unit has entered Sabbath mode. In this mode, normal cooling operations still take place (compressor, magnetic valve, fan, heater strip), but all luminous equipment including display panel and LED bulbs will shut off, no matter if the door is opening or closing.

To exit the Sabbath mode, press and hold '∧' and '∨' at the same time for 3 seconds. The display panel will flash 5 times to indicate that the Sabbath model has been disabled.

Note: This mode is available for the observance of certain religious holidays.

## Door Ajar Alarm

If the door of unit is ajar for more than 3 minutes, the system will give a beeping alarm. If you want to stop it, please press “SET” button.

## Auto Defrost:

The unit defrosts automatically. The water on the back wall will drain into a water tray and be evaporated by the compressor.

# Cleaning

## Before cleaning, turn the unit off and disconnect it.

Clean interior and exterior surfaces, as well as accessories, with a solution of cold water and a little baking soda.

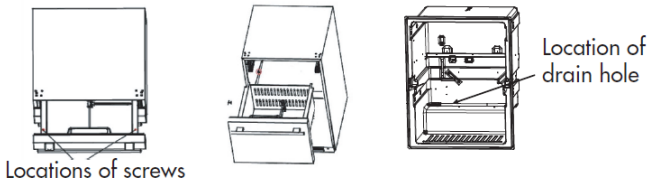
To avoid damaging the product, don't clean with steam.

Don't use abrasive, acidic or harsh chemical cleansers.

Keep cleaning liquids away from electrical equipment. Clean and dry all accessories. Clean the drain hole which is between compartments of the unit with a small piece of soft material such as a cotton swab. (The drain hole is located behind the lower drawer. Please refer to the *Drawer Removal* section for these instructions.)

## Drawer Removal

1. Pull out the lower drawer and, turning a screwdriver in a counter-clockwise direction, disengage the two screws that fix the lower drawer to the slides.
2. Remove the lower drawer.
3. Clean the drain hole illustrated below with a soft material such as a cotton swab, then reinstall the lower drawer by reversing the procedure described above.



# Troubleshooting

## **If Refrigerator does not operate:**

Check if refrigerator is plugged in. Check the circuit breaker to see if there is power in the AC outlet.

## **If Refrigerator is too warm:**

Frequent drawer openings. Allow time for recently added food items to reach the desired temperature. Check gaskets for proper seal. Clean condenser coils. Adjust temperature control to colder setting.

## **If Refrigerator runs too frequently:**

This may be normal to maintain constant temperature during days of high temperature and humidity. Drawers may have been opened frequently or left open for an extended period of time.

Clean condenser coils. Check gaskets for proper seal. Check to see if drawers are completely closed.

## **If Moisture builds up on interior or exterior surfaces of the refrigerator:**

This is normal during high humidity periods. Prolonged or frequent door openings. Check gaskets for proper seal.

## **If Refrigerator drawer does not shut properly:**

Level the refrigerator. Check for blockages, e.g., beverage bottles, food spills, etc.

# Summit Limited Warranty

Summit Appliances warrants this product to be free from defects in materials and workmanship for a period of one year from the date of original purchase or delivery with an additional 5 years parts only on the compressor. Any parts determined to be defective will be replaced by SUMMIT at no charge to you. Plastic parts, liners and outer cabinets are warranted to be manufactured to commercially acceptable standards and free from defects at the time of delivery.

This limited warranty does not apply to:

1. Improper installation
2. Customer misuse, negligence or damage
3. Incorrect electrical current
4. Products with the serial number altered or removed
5. Products sold or used outside the fifty United States or the District of Columbia
6. Commercial or industrial users
7. Damage to this product from accidents, alterations, failure to follow instructions, fire, floods, earthquakes, war, civil disturbance or Acts of God.

SUMMIT is not liable for consequential or incidental damage.

SUMMIT APPLIANCE DIV.  
FELIX STORCH, INC.  
770 GARRISON AVENUE  
BRONX, NY 10474  
Tel.: (718) 893-3900  
[www.summitappliance.com](http://www.summitappliance.com)

## **DISCLAIMER OF IMPLIED WARRANTIES; LIMITATION OF REMEDIES**

CUSTOMER'S SOLE AND EXCLUSIVE REMEDY UNDER THIS LIMITED WARRANTY SHALL BE PRODUCT REPAIR AS PROVIDED HEREIN. IMPLIED WARRANTIES, INCLUDING WARRANTIES OF MERCHANTABILITY OR FITNESS FOR A PARTICULAR PURPOSE, ARE LIMITED TO ONE YEAR. WARRANTOR SHALL NOT BE LIABLE FOR INCIDENTAL OR CONSEQUENTIAL DAMAGES. SOME STATES DO NOT ALLOW THE EXCLUSION OR LIMITATION OF INCIDENTAL OR CONSEQUENTIAL DAMAGES, OR LIMITATIONS ON THE DURATION OF IMPLIED WARRANTIES OF MERCHANTABILITY OR FITNESS, SO THESE EXCLUSIONS OR LIMITATIONS MAY NOT APPLY TO YOU. THIS WARRANTY GIVES YOU SPECIFIC LEGAL RIGHTS AND YOU MAY ALSO HAVE OTHER RIGHTS, WHICH VARY FROM STATE TO STATE.

# Mesures de protection importantes

**Lors de l'utilisation de cet appareil, des consignes de sécurité de base doivent être respectées, y compris ce qui suit :**

1. Lisez toutes les instructions avant d'utiliser cet appareil.
2. N'utilisez cet appareil qu'aux fins prévues, telles qu'elles sont décrites dans ce guide d'utilisation et d'entretien.
3. Ce réfrigérateur doit être installé conformément aux instructions d'installation avant d'être utilisé. Consultez les instructions de mise à la terre dans la section traitant de l'installation.
4. Ne débranchez jamais votre réfrigérateur en tirant sur le cordon d'alimentation. Saisissez toujours la fiche fermement et tirez-la en ligne droite pour la sortir de la prise de courant.
5. Débranchez votre réfrigérateur avant de le nettoyer ou de procéder à des réparations.  
**Remarque :** Si pour une raison ou une autre ce produit nécessite un entretien, nous vous recommandons fortement de faire appel aux services d'un technicien agréé.
6. Réparez ou remplacez immédiatement tous les cordons d'alimentation électrique qui s'effilochent ou étant autrement endommagés. N'utilisez pas de cordon si celui-ci, la fiche ou l'embout du connecteur présente des fissures ou d'autres dommages causés par l'abrasion.
7. Cet appareil est conçu en tant qu'unité encastrable devant être uniquement installé dans une armoire.
8. Si votre vieux réfrigérateur n'est pas actuellement utilisé, nous recommandons d'en retirer les portes et de laisser les étagères en place. Cela réduira les risques pour les enfants.
9. Ne faites pas fonctionner votre réfrigérateur en présence de fumées explosives.
10. Les rebords de l'armoire peuvent être coupants le long des zones de découpage. Évitez de mettre les mains, les doigts ou d'autres appendices près de ces zones.
11. Cet appareil n'est pas conçu pour une utilisation par de jeunes enfants ou des personnes déficientes sans supervision. Les jeunes enfants doivent être surveillés afin de s'assurer qu'ils ne jouent pas avec cet appareil.
12. **MISE EN GARDE : N'UTILISEZ PAS DE RALLONGE ÉLECTRIQUE.**

## CONSERVEZ CES INSTRUCTIONS DANGER

**Risque qu'un enfant soit enrhumé. Enlevez les portes de votre vieil appareil avant de le mettre au rebut. Laissez les étagères en place pour rendre l'accès plus difficile aux enfants.**

# Table des matières

	PAGE
<b>Mesures de protection importantes</b> .....	<b>13</b>
<b>Pièces et encombrement</b> .....	<b>15</b>
<b>Directives à suivre avant l'installation</b> .....	<b>16</b>
Préparation avant l'installation .....	16
Installation .....	17
<b>Pièces internes</b> .....	<b>18</b>
Bac à légumes .....	18
Diviseur ajustable .....	18
<b>Tiroirs</b> .....	<b>20</b>
Tiroir supérieur .....	20
Tiroir inférieur .....	20
<b>Comment utiliser ce produit</b> .....	<b>20</b>
Remarques importantes avant de brancher l'alimentation électrique .....	20
Branchement de l'alimentation .....	20
Ampoule à DEL intérieure .....	20
Réglage de la température .....	20
Conversion des degrés Celsius et Fahrenheit .....	21
Interrupteur de marche/arrêt .....	21
Mode Sabbath .....	21
Alarme de porte ouverte .....	22
Dégivrage automatique .....	22
<b>Nettoyage</b> .....	<b>22</b>
<b>Dépannage</b> .....	<b>23</b>
<b>Garantie limitée</b> .....	<b>24</b>

Merci d'utiliser ce produit Summit. Ce guide facile à suivre vous aidera à utiliser votre réfrigérateur de façon optimale.

Rappelez-vous de prendre en note les numéros de modèle et de série. Ils sont indiqués sur l'étiquette à l'arrière de votre réfrigérateur.

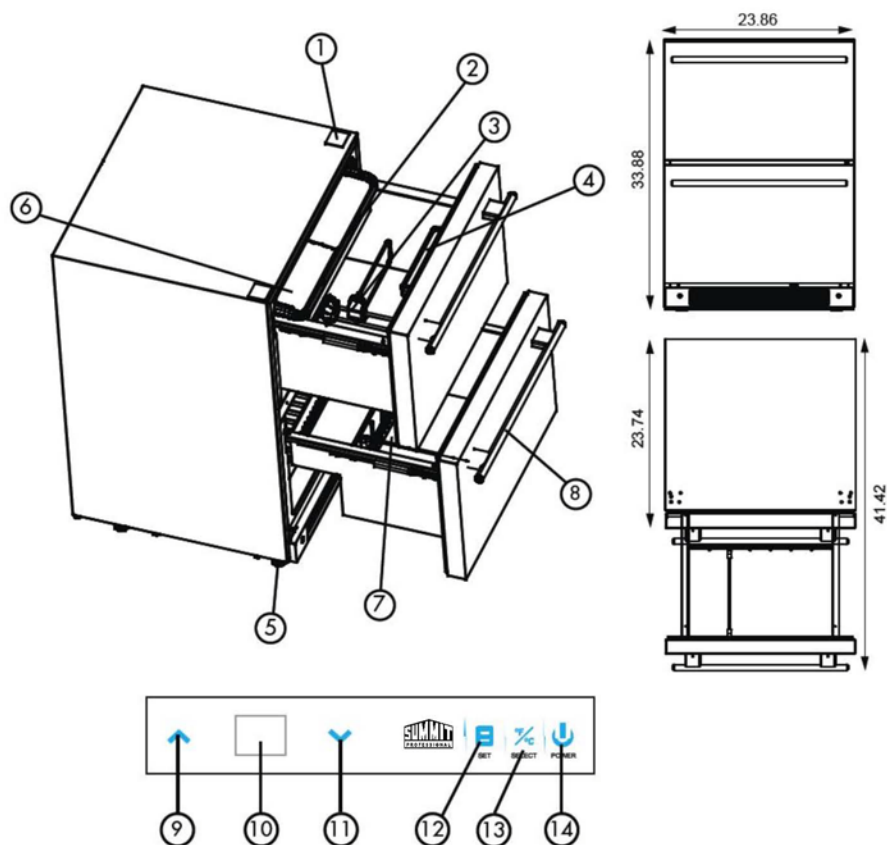
Numéro de série :

Numéro de modèle:

Date d'achat:

Brochez votre reçu de caisse à votre guide. **Vous en aurez besoin pour obtenir du service en vertu de la garantie.**

# Pièces et encombrement



- |  |   |
|--|---|
| <b>1. Couvercle à charnières</b>       | <b>8. Poignée</b>                             |
| <b>2. Bac à légumes</b>                | <b>9. Température vers le haut</b>            |
| <b>3. Diviseur du tiroir supérieur</b> | <b>10. Écran à DEL</b>                        |
| <b>4. Tableau de commande</b>          | <b>11. Température vers le bas</b>            |
| <b>5. Pattes</b>                       | <b>12. Verrouillage/réglage des commandes</b> |
| <b>6. Accessoires</b>                  | <b>13. Conversion ° C/° F</b>                 |
| <b>7. Diviseur du tiroir inférieur</b> | <b>14. Interrupteur de marche/arrêt</b>       |

# Directives à suivre avant l'installation

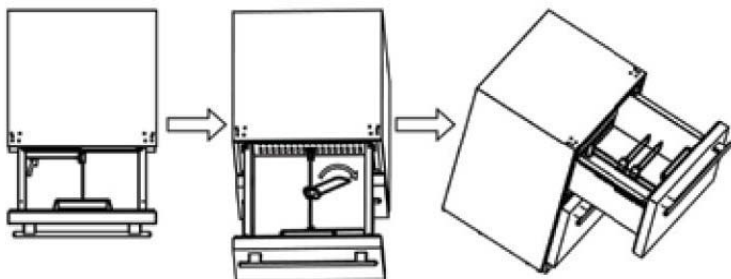
Ce réfrigérateur est destiné à un usage en tant qu'appareil encastré uniquement. Avant l'utilisation, il doit être correctement installé. Pour permettre une bonne ventilation, laissez un espace libre d'au moins 3/16" de chaque côté, 1/16" en haut et 2" à l'arrière lors de l'installation. Assurez-vous que la ventilation sous l'appareil n'est pas bloquée.

**Remarque :** Laissez l'appareil reposer sur sa base au moins 1 heure avant d'effectuer l'installation.

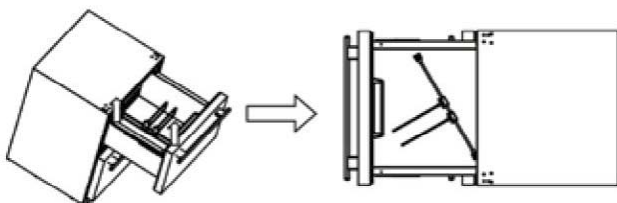
## Préparation avant l'installation

Nettoyez d'abord la surface du produit avec un linge doux et retirez tout l'emballage de protection qui recouvre le produit.

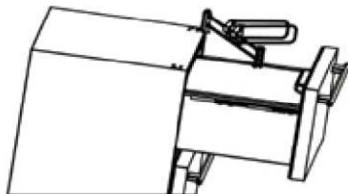
1. Ouvrez le tiroir supérieur. Consultez les illustrations ci-dessous. Retirez le bac à légumes et mettez-le de côté pour l'instant. Placez ensuite les diviseurs de tiroir sur un des côté,



2. À l'aide des deux mains, soulevez la tige du diviseur de tiroir en métal pour la retirer des rainures à l'avant et à l'arrière du tiroir. Une fois que la tige du diviseur de tiroir est retirée des rainures (tel que montré), soulevez et tournez de sorte à ne pas frapper le tableau de commande.



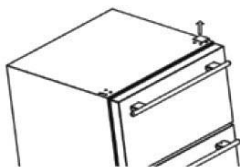
3. Retirez le diviseur de tiroir du compartiment supérieur et placez-le en lieu sûr.



**Remarque :** Après avoir effectué ces trois étapes, veuillez fermer le tiroir supérieur afin d'éviter toute blessure et tout dommage au produit pendant l'installation.

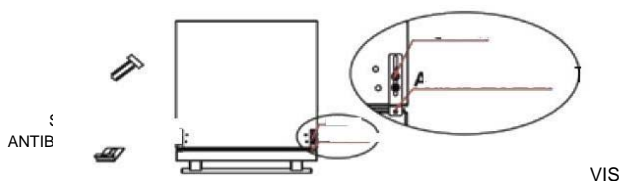
## Installation

1. Retirez le couvercle à charnière (page 15, pièce 1) en le soulevant. Consultez l'illustration ci-dessous :

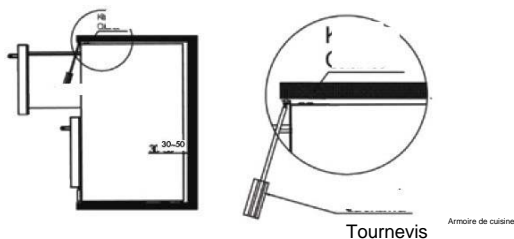


2. Sortez le support antibasculement et les vis du sac d'accessoires. Serrez le support antibasculement sur le dessus du produit avec les vis comme suit, tel que montré dans l'illustration.

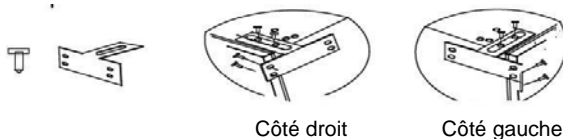
**Remarque :** Suivez les instructions à la lettre car sinon vous risquez d'endommager le produit.



3. Ouvrez le tiroir en tirant et fixez le support antibasculement au comptoir à l'aide des vis, tel que montré ci-dessous. Il peut être nécessaire d'ajuster les pattes de nivellement sous l'appareil pour qu'il s'adapte correctement dans l'ouverture d'armoire. Commencez par les pattes arrière (si nécessaire) avant de glisser l'appareil entièrement dans l'ouverture; soulevez ou abaissez les pattes arrière de sorte que l'appareil s'adapte correctement à l'ouverture. Puis, glissez délicatement l'appareil dans l'ouverture en prenant garde de ne pas endommager accidentellement les armoires ou le plancher. Effectuez ensuite les mêmes ajustements aux pattes de nivellement avant de sorte que la partie avant de l'appareil soit au niveau approprié pour installer le support antibasculement et s'adapte correctement en-dessous du comptoir.



4. Un autre ensemble de supports antibasculement est fourni pour l'installation latérale en tant qu'option lorsque le comptoir est en granite et que la fixation à l'aide de vis peut être difficile. Cet ensemble de supports comprend deux supports antibasculement et huit vis pour l'installation du côté gauche. Cette installation est montrée à l'illustration ci-dessous. Le tiroir doit être ouvert pour effectuer cette installation.



# Pièces internes

## Bac à légumes

Un bac à légumes est placé dans le tiroir supérieur.

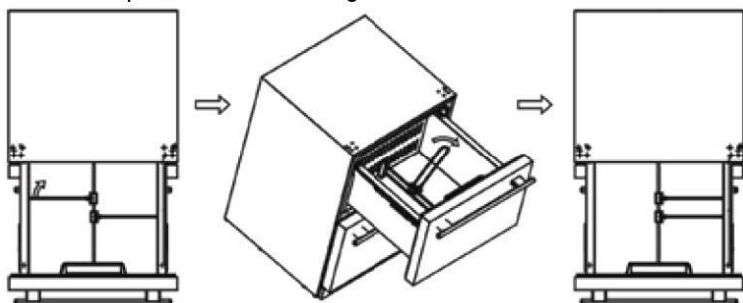
**Utilité** : Rangement pratique des légumes frais. L'utilisateur peut enlever le bac à légumes s'il n'est pas requis.

## Diviseur ajustable

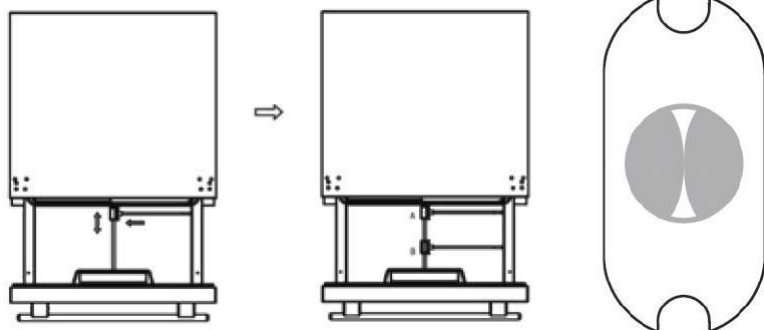
Chaque tiroir est doté d'un diviseur ajustable. L'utilisateur peut l'ajuster selon ses besoins pour le rangement des aliments. L'utilisateur peut enlever les diviseurs s'ils ne sont pas requis.

**Remarque** : Gardez le diviseur en lieu sûr, loin des enfants, s'il est retiré de l'appareil. Les tiroirs sont conçus pour soutenir jusqu'à 20 kg (44,1 lb) d'aliments.

Séparez les compartiments de gauche et de droite et vice versa.



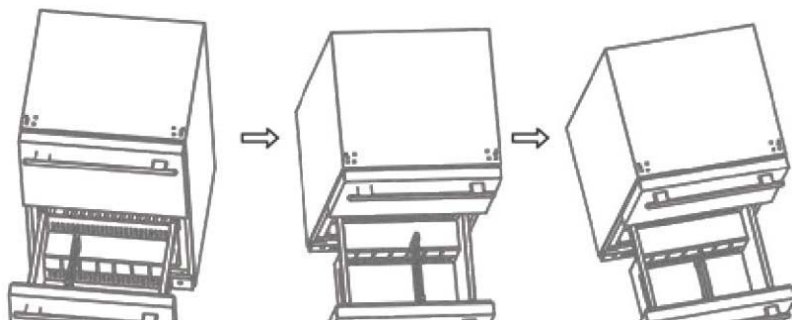
Séparez les compartiments avant et arrière et vice versa.



Le compartiment supérieur est séparé par un diviseur fixé au support de compartiment du compartiment supérieur. Ces deux diviseurs peuvent être ajustés à gauche et à droite ainsi que vers l'avant et l'arrière. Pour un ajustement gauche et droit : tournez tout simplement. Pour un ajustement avant et arrière : vous devez pousser sur le bouton « PUSH » (consultez l'illustration) du connecteur du centre et le déplacer vers l'avant. Pour nettoyer votre réfrigérateur, vous pouvez enlever l'étagère en suivant les étapes indiquées dans la section « Préparation avant l'installation ».

**Utilité** : L'utilisateur peut séparer le compartiment supérieur à l'aide d'un diviseur selon ses besoins. Cette caractéristique permet également d'éviter que les aliments ne tombent ou ne déversent lorsque les tiroirs sont ouverts ou fermés.

Ajustez le diviseur du compartiment inférieur en vous référant à l'illustration :



Le diviseur du compartiment inférieur est fixé entre les parties en relief de la paroi avant et arrière du tiroir. Vous pouvez choisir différentes parties en relief pour diviser le tiroir en différentes sections.

**Utilité** : Séparer le compartiment inférieur à l'aide d'un diviseur selon ses besoins.

# Tiroirs

## Tiroir supérieur

Peut soutenir tout article de 30 cm (12 po) et moins de hauteur.

## Tiroir inférieur

Le tiroir inférieur est séparé en gradations. Les aliments ou les boissons dont le contenant est de moins et de 30 cm (12 po) peuvent être conservés dans cet espace sans gradation. Les plus petits articles peuvent être placés dans cet espace sans gradation.

# Comment utiliser ce produit

## Remarques importantes avant de brancher l'alimentation électrique

L'alimentation électrique doit être conforme aux indications de la plaque signalétique (115 V/60 Hz). La plaque signalétique est située à l'arrière de l'appareil.

La prise de courant doit être munie d'un fusible de 10 A. Laissez l'appareil reposer sur sa base au moins une heure avant d'effectuer l'installation.

MISE EN GARDE : N'UTILISEZ PAS DE RALLONGE ÉLECTRIQUE

## Branchement de l'alimentation

L'appareil est testé et réglé à 38° F avant qu'il ne soit expédié de l'usine. Lorsqu'il sera branché à l'alimentation électrique, l'appareil fonctionnera correctement.

## Ampoule à DEL intérieure

Une ampoule à DEL est installée dans la partie supérieure du recouvrement interne de chacun des compartiments. La lumière s'allume et s'éteint par l'ouverture et la fermeture du tiroir : lorsque le tiroir est ouvert, elle s'allume. Puis, elle s'éteint lorsque le tiroir est fermé.

**Mise en garde :** Des aimants sont apposés sur le côté gauche du tiroir supérieur interne et au bas de la porte de tiroir inférieur. Ne les retirez pas car ils sont nécessaires au bon fonctionnement du système d'éclairage.

## Réglage de la température :

Si vous désirez changer la température, appuyez sur la touche « SET » et maintenez-la pendant trois secondes. L'appareil émettra un son et la température clignotera sur le tableau de commande. Vous pouvez alors ajuster le chiffre en utilisant les touches « ∨ » et « ∧ ». Lorsque la température désirée est réglée, appuyez de nouveau sur le bouton « SET » pour confirmer votre réglage. Vous entendrez un son et la température ne clignotera plus.

Si vous désirez abaisser la température, appuyez sur la touche « ∨ ».

Si vous désirez monter la température, appuyez sur la touche « ∧ ».

**La gamme de températures est : 1 à 7° C (34 à 45° F)**



Panneau de commande

## Conversion des degrés Celsius et Fahrenheit :

Appuyez sur la touche « SELECT » et maintenez-la enfoncée pendant 3 secondes. L'affichage de la température passera des degrés Fahrenheit à Celsius. L'appareil émettra alors un son.

Appuyez sur la touche « SELECT » et maintenez-la enfoncée pendant 3 secondes. L'affichage de la température passera des degrés Celsius à Fahrenheit. L'appareil émettra alors un son de nouveau.

## Interrupteur de marche/arrêt :

Le panneau d'affichage est doté d'une touche de mise en marche/arrêt. Si vous désirez interrompre le fonctionnement de l'appareil pendant une courte période ou le redémarrer, appuyez sur la touche « POWER » et maintenez-la enfoncée pendant 3 secondes pour mettre l'appareil en marche et en arrêt.

Remarque : Si vous désirez arrêter le fonctionnement de l'appareil pendant une période prolongée, débranchez l'appareil, enlevez les aliments, nettoyez le réfrigérateur et laissez l'appareil légèrement ouvert afin d'empêcher la production d'odeurs.

## Mode Sabbath :

Appuyez sur les touches «V» et «Λ» en même temps et maintenez-les enfoncées pendant 3 secondes. L'appareil émettra alors un son, le panneau d'affichage clignotera 5 fois et arrêtera. Cela indique que l'appareil est passé au mode Sabbath. Dans ce mode, les opérations normales de refroidissement ont toujours lieu (compresseur, vanne électromagnétique, ventilateur, cordon chauffant), mais tout l'équipement lumineux, incluant le panneau d'affichage et l'ampoule à DEL, est fermé que la porte soit ouverte ou fermée. Appuyez sur les touches «V» et «Λ» en même temps et maintenez-les enfoncées pendant 3 secondes. Lorsque le panneau d'affichage clignote 5 fois, cela signifie que vous quittez le mode Sabbath.

Remarque : Ce mode est disponible pour certaines pratiques religieuses.

### Alarme de porte ouverte :

Si la porte de l'appareil demeure ouverte plus de 3 minutes, le système émet une alarme sonore. Si vous désirez l'arrêter, veuillez appuyer sur la touche « SET ».

### Dégivrage automatique :

L'appareil peut effectuer un dégivrage automatique. L'eau de la paroi arrière se vidange dans le réservoir d'eau et s'évapore par le condensateur.

## Nettoyage

### Éteignez l'appareil avant de le nettoyer.

Nettoyez les surfaces internes et les accessoires ainsi que le châssis externe avec de l'eau chaude et un peu de bicarbonate de soude.

Ne le nettoyez pas à la vapeur car vous risquez d'endommager le produit. N'utilisez pas de nettoyant abrasif, acide et chimique.

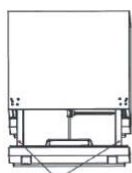
Gardez les liquides de nettoyages éloignés de l'équipement électrique.

Nettoyez et asséchez tous les accessoires.

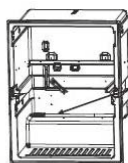
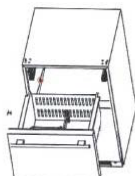
Nettoyez l'orifice de vidange situé entre les compartiments de l'appareil à l'aide d'un petit matériau doux tel qu'un coton-tige. (L'orifice de vidange est situé derrière le tiroir inférieur. Veuillez consulter la section « Retrait du tiroir » au sujet des directives reliées).

### Retrait du tiroir

1. À l'aide d'un tournevis, tirez le tiroir inférieur, dévissez dans le sens inverse des aiguilles d'une montre les deux vis qui retiennent le tiroir inférieur aux glissières.
2. Retirez le tiroir inférieur
3. Nettoyez l'orifice de vidange montré ci-dessous à l'aide d'un matériau doux tel qu'un coton-tige. Installez ensuite le tiroir inférieur en effectuant la procédure inverse de celle décrite ci-dessus.



Emplacement des vis



Emplacement de l'orifice de vidange

# Dépannage

## **Si le réfrigérateur ne fonctionne pas :**

Vérifiez si le réfrigérateur est branché. Vérifiez s'il y a du courant dans la prise c.a. en inspectant le disjoncteur.

## **Si le réfrigérateur est trop chaud :**

Ouvertures fréquentes de la porte.

Laissez le temps aux aliments récemment ajoutés d'atteindre la température souhaitée.

Vérifiez si les joints sont suffisamment étanches.

Nettoyez le serpentin du condensateur.

Ajustez la température à un réglage plus froid.

## **Si le réfrigérateur se met en marche trop souvent :**

Cela peut être normal pour maintenir une température constante lors des journées très chaudes et humides.

Les portes ont peut-être été ouvertes trop souvent ou laissées ouvertes pour de longues périodes.

Nettoyez le serpentin du condensateur.

Vérifiez si le joint est suffisamment étanche.

Vérifiez si les portes sont complètement fermées.

## **L'humidité s'accumule à l'intérieur ou l'extérieur du réfrigérateur :**

Cela est normal lors des périodes d'humidité élevée.

Ouvertures fréquentes ou prolongées de la porte.

Vérifiez si les joints sont suffisamment étanches.

## **Si le tiroir du réfrigérateur ne se referme pas correctement :**

Nivelez le réfrigérateur. Vérifiez s'il y a des obstructions comme des bouteilles, des déversements, etc.

# Garantie Limitée Summit

Summit Appliances garantit ce produit contre tout défaut de fabrication sur les pièces et main d'oeuvre pour une période d'un an à compter de la date d'achat ou de livraison avec des pièces supplémentaires de 5 ans seulement sur le compresseur. Les pièces défectueuses seront remplacées par SUMMIT gratuitement. Les pièces en plastique, les douilles et la carrosserie sont garantis fabriqués conformes aux standards commerciaux acceptables et sans défauts au moment de la livraison.

Cette garantie ne couvre pas:

1. Une mauvaise installation
2. Une mauvaise utilisation, négligence ou dommages par l'utilisateur
3. Une mauvaise tension électrique
4. Les produits avec un numéro de série altéré ou retire

5. Les produits vendus ou utilisés en dehors de l'Amérique continentale (50 États) ou du District of Columbia.
6. L'utilisation commerciale ou industrielle
7. Les dommages dus à des accidents, altérations, un non-respect des instructions, un incendie, des inondations, un tremblement de terre, une guerre, des troubles civils ou des catastrophes naturelles.

SUMMIT n'est pas responsable des dommages matériels, économiques et secondaires.

SUMMIT APPLIANCE  
Div. Felix Storch, Inc.  
770 Garrison Avenue, Bronx NY 10474  
Tél. : (718) 893-3900  
[www.summitappliance.com](http://www.summitappliance.com)

