



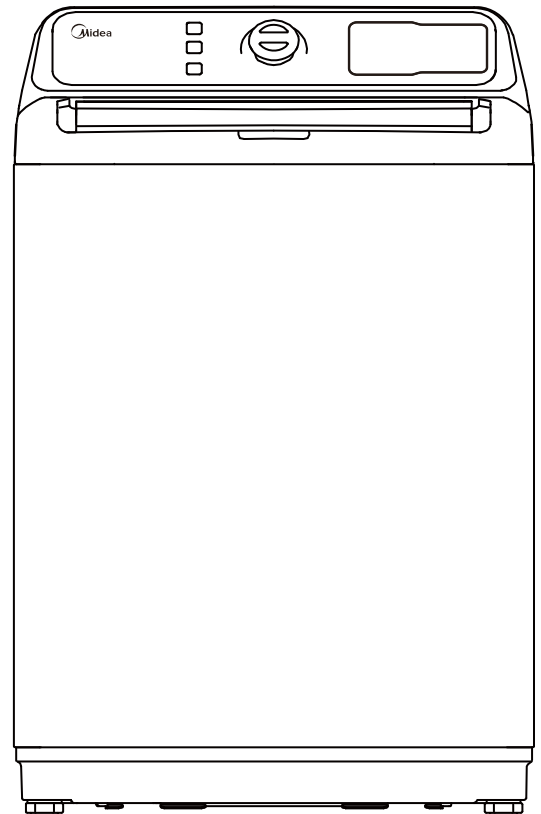
Top-Load Washer

Power supply: 120V
Frequency: 60Hz

Warning:
Before using this product, please read this manual carefully and keep it for future reference. The design and specifications are subject to change without prior notice for product improvement. Consult with your dealer or manufacturer for details.

version A

USER MANUAL & INSTALLATION INSTRUCTIONS



MODEL NUMBERS
MLV45N1BWWC
MLV45N3BWWC
www.midea.com/ca

Dear user

THANK YOU and **CONGRATULATIONS** on your purchase of this high-quality Midea product. Your Midea washer is designed for reliable, trouble-free performance. Please take a moment to register your new washer.

Register your new washer at

www.midea.com/ca/support/Product-registration

For future reference, record your product model and serial numbers located on the inside frame of the washer.

Model Number _____

Serial Number _____

SAFETY INSTRUCTIONS.....	4
FEATURES	11
Package contents	11
Main components	12
OPERATION REQUIREMENTS.....	13
Electrical requirements	13
Water requirements.....	14
Drainage requirements	14
INSTALLATION INSTRUCTIONS.....	15
Unpacking your washer	15
Choosing a location	16
Tools you will need.....	18
Connect the water hoses	19
Connect the drain hose	21
Level your washer	24
Power on	25
Run a test cycle	26
WASHER USE	27
Control panel	27
Washing a load of laundry.....	30
Setting the child lock	34
Washer options and settings	35

WASHER CARE	36
Cleaning and maintenance	36
BEFORE YOU CALL FOR SERVICE	38
Error codes	40
WARRANTY	42
PRODUCT REGISTRATION	44

READ AND KEEP THESE INSTRUCTIONS FOR FUTURE REFERENCE

This manual contains important information on the installation, use, and care of your appliance. Please read this manual carefully before installation and operation of this machine to prevent injury and property damage.

Warnings and Important Safety Instructions in this manual DO NOT cover all possible conditions and situations that may occur. It is your responsibility to use common sense, caution and care when installing, maintaining and operating your washer.



CAUTION
RISK OF ELECTRIC SHOCK
DO NOT OPEN



SAFETY INSTRUCTIONS

YOUR SAFETY AND THE SAFETY OF OTHERS ARE VERY IMPORTANT

To prevent injury to the user or other people and property damage, the instructions shown here must be followed. Incorrect operation due to ignoring of instructions may cause harm or damage, including death.

The level of risk is shown by the following indications.



This indicates that hazards or unsafe practices may cause serious personal injury or death. To reduce the risk of fire, explosion, electric shock or personal injury when using your washing machine, you SHOULD follow these basic safety precautions.



This indicates that hazards or unsafe practices may cause minor personal injury or property damage.



This symbol indicates that there are important operating and maintenance instructions in the literature accompanying your washing machine

WARNING

State of California Proposition 65 Warnings.

The California Safe Drinking Water and Toxic Enforcement Act requires the Governor of California to publish a list of substances known to the State of California to cause cancer, birth defects or other reproductive harm and requires businesses to warn of potential exposure to such substances. This product contains a chemical known to the State of California to cause cancer, birth defects or other reproductive harm. This appliance can cause low-level exposure to some of the substances listed, including benzene, formaldehyde and carbon monoxide.

Cancer and Reproductive Harm - www.P65Warnings.ca.gov.

WARNING

Do not store or use gasoline or other flammable vapors and liquids in the vicinity of this or any other appliance.

IMPORTANT SAFETY INSTRUCTIONS

WARNING

- Read all instructions before using the appliance.
- Use this appliance only for its intended purpose as described in this Owner's Manual.
- Before use, the washer must be properly installed as described in this manual.
- ALWAYS follow the fabric care instructions supplied by the garment manufacturer.
- Do not wash articles that have been previously cleaned in, washed in, soaked in, or spotted with gasoline, dry-cleaning solvents, other flammable or explosive substances as they give off vapors that could ignite or explode.
- Do not allow children to play on or in the appliance. Close supervision of children is necessary when the appliance is used near children.
- Before the appliance is removed from service or discarded, remove the lid of the washing compartment.
- Do not reach into the appliance if the tub is moving.
- Do not install or store this appliance where it will be exposed to the weather or freezing temperatures.
- Do not tamper with the controls.
- Do not repair or replace any part of the appliance or attempt any servicing unless it is specifically recommended in the user maintenance instructions or in published user repair instructions that you understand.
- Hydrogen gas is explosive. If the hot water system has not been used for two weeks or more, before using a washer, turn on all hot water faucets and let the water flow from each for several minutes. This will release any accumulated hydrogen gas. The gas is flammable, so do not smoke or use an open flame during this time.
- Keep the area underneath and around your appliance free of combustible materials (lint, paper, rags and so on), gasoline chemicals, and other flammable vapors and liquids.
- Do not place items exposed to cooking oil in your washer. Items contaminated with cooking oil may contribute to a chemical reaction that could cause a load to catch fire.
- This washer is not designed for maritime use or for mobile installations such as in RVs aircraft and other mobile platforms.
- Turn off the water faucets and unplug the washer if the machine is to be left for an extended period of time, such as during vacations.
- Packaging material can be dangerous for children. There is a risk of suffocation! Keep all packaging away from children.
- Always check the inside of the washer for foreign objects before loading laundry. Keep the lid closed when not in use.



WARNING

Installation Warnings and Precautions

- Plug the power cord into an AC 120V/60Hz wall socket rated at 15 amps or higher. Use the socket for this washer only. Do not use an extension cord.
 - Sharing a wall socket with another appliance, using a power strip, or extending the power cord may result in electric shock or fire.
 - Do not use an electric transformer. It may result in electric shock or fire.
 - Make sure that the power voltage, frequency and current match the product's specifications. Failing to do so may result in electric shock or fire.
- Remove all foreign substances such as dust or water from the power plug terminals and contact points using a dry cloth on a regular basis.
 - Unplug the power plug and clean it with a dry cloth.
 - Failing to do so may result in electric shock or fire.
- Plug the power plug into the wall socket in the right direction so that the cord runs towards the floor.
 - If you plug the power plug into the socket in the opposite direction, the electric wires within the cable may be damaged and this may result in electric shock or fire.
- Plug the power plug into the wall socket firmly. Do not use a damaged power plug or loose wall socket, because this may result in electric shock fire.
- Do not pull or excessively bend the power cord. Do not twist or tie the power cord.
- Do not hook the power cord over a metal object. Place a heavy object on the power cord, insert power cord between objects, or push the power cord into the space behind the appliance, because this may result in electric shock or fire.
- Do not pull the power cord when unplugging the power plug.
 - Unplug the power plug by holding the plug.
 - Failing to do so may result in electric shock or fire.
- If the power plug or power cord damaged, contact your nearest service centre.
- Do not install on carpet. Install the washer on a level and solid floor that can support its weight. Failure to do so may result in abnormal vibration, noise or problems with the product.
- The washer is heavy. Two or more people may be needed to install and move the appliance. Failure to do so may result in bodily or other injuries.
- Store and install the washer where it will not be exposed to temperatures below freezing or exposed to outdoor weather conditions. Failure to do so may result in serious leak damage.
- Position the appliance so that the power plug is easily accessible. Failure to do so may result in electric shock or fire due to an electrical short circuit.
- Failure to follow all of the safety warnings in this guide may result in property damage or injury to persons.



WARNING

Use and Maintenance warnings and Precautions

- If the appliance is flooded, cut the power immediately and contact your nearest service centre.
- If the appliance emits a strange noise, a burning smell or smoke, unplug the power plug immediately and contact your nearest service centre. Failure to do so may result in electric shock or fire.
- In the event of a gas leak (such as propane or LP gas) ventilate the area immediately. Do not turn any appliance or light on or off.
 - Do not use a ventilating fan.
 - A spark may result in an explosion or fire.
- Do not force the washer lid open while the washer is operating (high-temperature washing, drying or spinning).
 - Water flowing out of the washer may cause burns or cause the floor to be slippery. This may result in injury.
 - Forcing the lid open can damage the product or cause injury.
- Make sure to remove the packaging (sponge, styrofoam) attached to the bottom of the washer before using it.
- Do not insert your hand or a metal object under the washer. This may result in injury.
- Do not attempt to operate this appliance if it is damaged, malfunctioning, partially disassembled or has missing or broken parts, including a damaged cord or plug. This may result in electric shock, fire or death.
- Do not touch the power plug with wet hands. This may result in electric shock.
- Do not turn the appliance by unplugging the power plug while the washer is in operation. Plugging the power plug into the wall socket again may cause a spark and result in electric shock or fire.
- Keep all packaging material well out of the reach of children, as packaging materials can be dangerous to children. If a child places a bag over his or her head, he or she may suffocate.
- Do not let children or infirm persons use this washer unsupervised. Failure to do so may result in electric shock, burns or injury.
- Do not attempt to repair, disassemble or modify the appliance yourself.
 - Do not use any fuse (such as copper, steel wire etc.) other than the standard fuse.
 - If you need to pair or reinstall the appliance, contact your nearest service centre.
 - Failure to do so may result in electric shock, fire, problems with the product or injury.
- If any foreign substance such as water enters the appliance in any area other than the tub, unplug the power plug and contact your nearest service centre. Failure to do so may result in electric shock or fire.
- If the water supply hose comes loose from the faucet and floods the appliance, unplug the power plug. Failure to do so may result in electric shock or fire.

- Do not mix chlorine bleach with ammonia or acids such as vinegar. Incorrect usage can produce poisonous gas, resulting in serious injury.
- Do not reach into the washer while parts are moving. Before loading, unloading or adding items, press the Start/Pause button and allow the tub to come to a complete stop before reaching inside. Failure to do so may result in electric shock injury or fire.
- Do not allow children to play on or in the washer. Close supervision of children is necessary when the washer is used near children. As children grow, teach them the proper, safe use of all appliances. Failure to do so may result in serious injury.
- Keep laundry products out of reach of children. Observe all warnings on product labels and follow them. Failure to do so may result in serious injury.
- Disconnect this appliance from the power supply before attempting any user maintenance. Pressing the Power button does not disconnect this appliance from the power supply. Failure to do so may result in electric shock, injury or fire.
- Do not clean the appliance by spraying water directly onto it.
- Do not use benzene, thinner or alcohol to clean the appliance. This may result in discoloration, deformation, damage, electric shock or fire.
- Unplug the power plug when the appliance is not being used for long periods of time or during a thunder/lightning storm. Failure to do so may result in electric shock or fire.
- Keep hands and foreign objects clear of the lid and latch area when closing the lid. Failure to do so may result in personal injury.
- If the washer is contaminated by a foreign substance such as detergent, dirt, or food waste, unplug the power plug and clean the washer with a damp, soft cloth. Failure to do so may result in discoloration, deformation. Damage or rust.
- The clear portion of the lid can be broken by a strong impact. Take care when using the washer. If the clear portion is cracked or broken, it may result in injury.
- After a water supply failure or when reconnecting the water supply hose, open the faucet slowly.
- Open the faucet slowly after a long period of non-use. The air pressure in the water supply hose or the water pipe may result in damage to a part or in water leakage.
- If a drain error occurs during an operation, check if there is a draining problem. If the washer is used when it is flooded because of a draining problem, it may result in electric shock or fire due to an electrical short circuit. Do not insert your hand or a metal object under the washer. This may result in injury.
- Insert laundry into the washer completely so that the laundry does not get caught in the lid. If laundry gets caught in the lid, it may result in damage to the laundry or the washer, or result in water leakage.
- Make sure that the faucet is turned off when the washer is not being used.
- Make sure that the water supply hose connectors are properly tightened. Failure to do so may result in property damage or injury.
- Open the faucet and check if the water supply hose connector is firmly tightened and that there is no water leaking before using the product. If the water supply hose connectors are loose, it may result in water leakage.

- Do not stand on top of the appliance or place objects (such as laundry, lighted candles, lighted cigarettes, dishes, chemicals, metal objects, etc.) on the appliance. This may result in electric shock, fire, problems with the product, or injury.
- Do not operate the appliance with wet hands. This may result in electric shock.
- Do not spray volatile material such as insecticide onto the surface of the appliance. As well as being harmful to humans, it may also result in electric shock, fire or problems with the product.
- Do not place an object that generates an electromagnetic field near the washer. This may result in injury due to a malfunction.
- Since the water drained during a high temperature wash or drying cycle is hot, do not touch the water. This may result in burns or injury.
- Do not wash, spin or dry water-proof seats, mats or clothing.
- Do not wash thick, hard mats even if the washer mark is on the care label. This may result in injury or damage to the washer, walls, floor or clothing due to abnormal vibrations.
- Do not operate the washer when the detergent dispenser is removed. This may result in electric shock or injury due to water leakage.
- Do not insert your hand into the detergent dispenser after opening it. This may result in injury because your hand may be caught.
- Do not place any non-laundry objects, such as shoes, food waste or animals into the washer. This can cause abnormal vibrations that can damage the washer, and in the case of pets, cause severe injury or death.
- Do not press the buttons using sharp objects such as pins, knives, or fingernails. This may result in electric shock or injury.
- Do not wash laundry contaminated by oils, creams or lotions usually found in skin-care shops or massage clinics. This may result in the rubber seal becoming deformed and water leakage.
- Make sure that the water inlet pipe is connected and the tap is opened before washing clothes.
- Do not leave metal objects (safety pins, hair pins, and so on) or bleach in the tub for long periods of time. This may cause the tub to rust.
 - If rust appears on the surface of the tub, apply a neutral cleansing agent to the surface and use a sponge to clean it. Never use a metal brush.
- Do not use hot water from water cooling/heating devices. This may result in problems with the washer.
- Do not use natural hand-washing soap in the washer. If it hardens and accumulates inside the washer, it may cause problems with the product, discoloration, rust or bad odours.
- If using a washing net with this machine (not provided), do not wash laundry items such as bedding in the washing net. Doing so may result in injury due to abnormal vibrations. Place only smaller items such as lace socks and lingerie in the washing net.
- Do not use hardened powdered detergent. If it accumulates inside the washer, it may result in water leakage.
- Do not wash throw rugs or doormats. Doing so may cause sand to accumulate inside the washer, resulting in mechanical problems.



WARNING

Grounding/Earthing

- This appliance must be properly grounded.
- Do not ground the appliance to a gas pipe plastic water pipe or telephone line.
 - Improper grounding may result in electric shock, fire, explosion or problems with the product.
 - Never plug the power cord into a socket that is not grounded correctly. Make sure that the socket you use is grounded in accordance with local and national codes.



WARNING

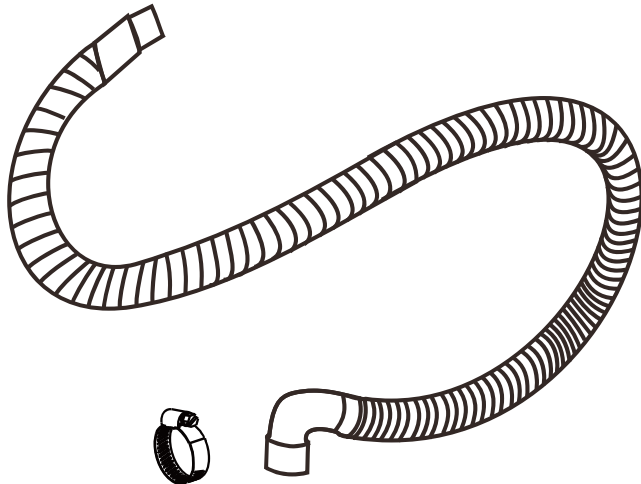
Choosing a Proper Location

- Do not install this appliance near a heater or inflammable material.
- Do not install this appliance in a humid, oily or dusty location, or in a location exposed to direct sunlight or water (rain drops).
- Do not install this appliance in a location where gas may leak. Failure to do so may result in electric shock or fire.
- If the washer is moved to a new location, have it checked and reinstalled by a qualified service technician. Failure to follow this warning may result in electric shock or fire.
- Do not pull power cord or drain outlet hose to move appliance to desired location place.

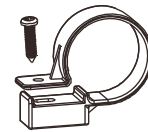
FEATURES

Package Contents

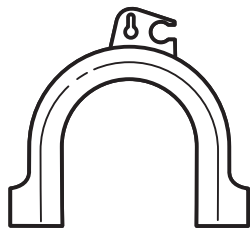
Make sure that the following items came with your washer



Drain Hose



Clamp (x2)



Drain Hose Guide



Manual



Filter (x2)

NOTE:

- Use the clamps to secure the drain hose to the washer rear panel.
- Use the filters to replace the rubber washers in the water hoses (faucet sides).

Main Components

Safety
Instructions

Features

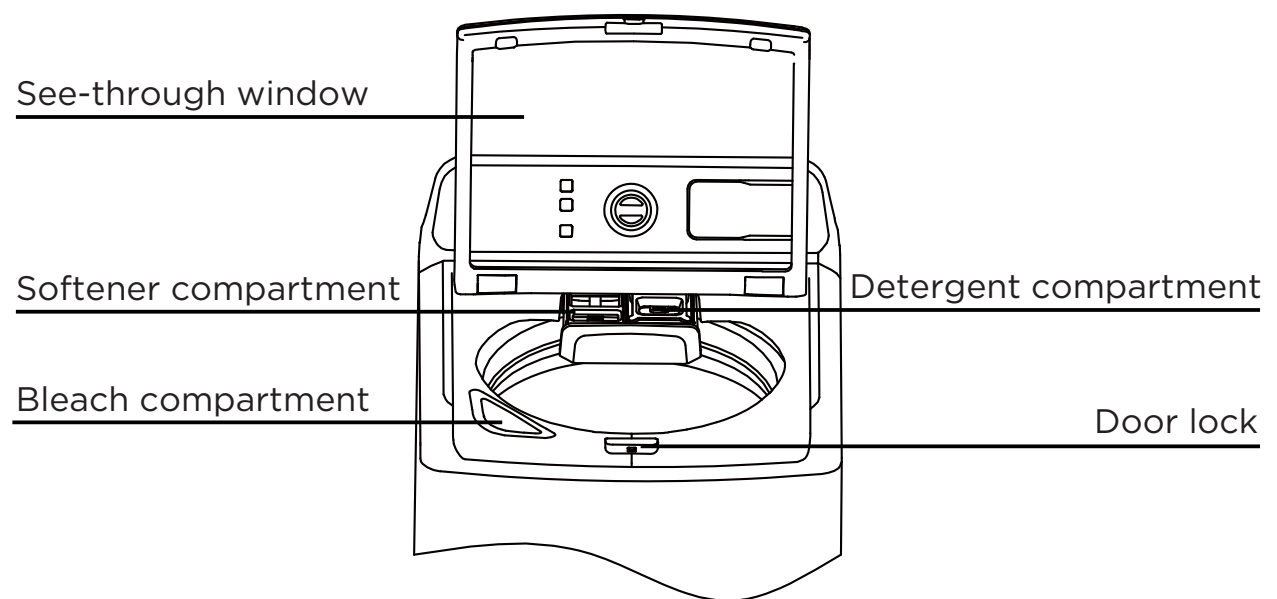
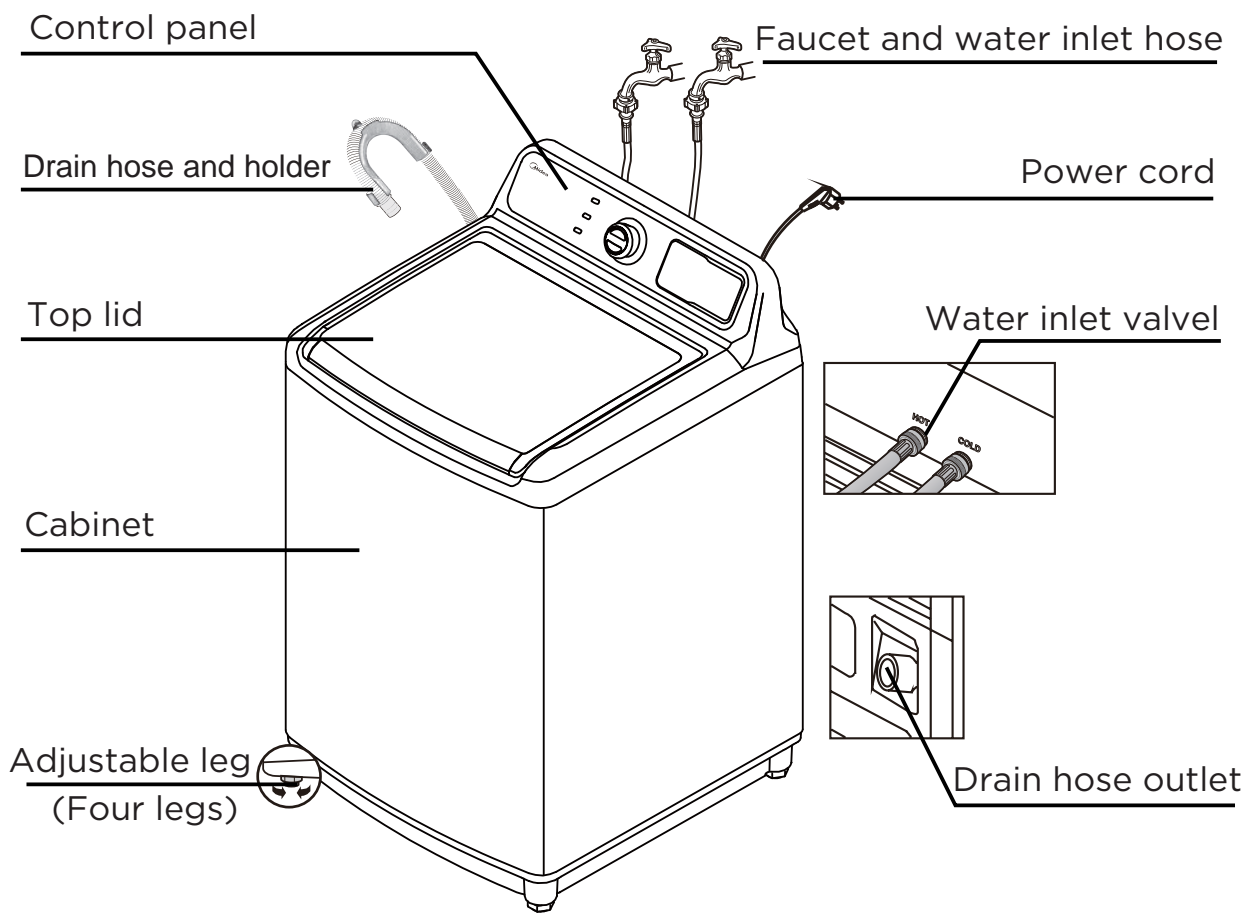
Operation
Requirements

Installation
Instructions

Washer Use

Washer Care

Troubleshooting



INSTALLATION REQUIREMENTS

Electrical requirements

WARNING

To reduce the risk of fire, electric shock, or injury to persons, read the SAFETY INSTRUCTIONS before operation this appliance.

Use a 120 Volt, 60Hz, 15 amp fuse or circuit breaker. We recommend an individual branch circuit that serves only your washer.

WARNING

Never use an extension cord.

Electrical grounding is required for your washer.

You must ground your washer. IN the event of a malfunction or breakdown, grounding reduces the risk of electric shock by providing a path of least resistance for the electric current.

Your washer is equipped with a power cord with a three-pronged grounding plug for use in a correctly installed and grounded outlet.

The outlet must be correctly installed and grounded in accordance with all local codes and ordinances.

WARNING

- You are responsible for providing adequate electrical services for your washer.
- An incorrectly connected equipment-grounding conductor can increase the risk of electrical shock. Check with a qualified electrician or serviceman if you are not sure whether your washer is grounded correctly.
- Do not modify the power cord plug that came with your washer. If the plug does not fit the outlet, have the correct type outlet installed by a qualified electrician.
- To prevent unnecessary risk of fire, electrical shock or personal injury, all wiring and grounding must be done in accordance with the National Electrical Code ANSI/FNPA, No.70 Latest Revision and local codes and ordinances.
- Never connect the ground wire to plastic plumbing lines, gas lines or hot water pipes.

Water requirements

To fill your washer in the correct amount of time, the water pressure needs to be between 14 and 116 psi (100 to 800 kPa).

If the water pressure is less than 14 psi (100 kPa):

- The water valve may fail or may not shut off completely.
- The time it takes to fill your washer may be longer than the time your washer controls allow. Your washer will turn off and report an error. A time-limit is built into the controls to prevent flooding in your home if a hose becomes loose.
- Water inlet hoses must be purchased separately. You can buy inlet hoses in various lengths up to 8 ft. (240 cm).

To avoid the possibility of water damage:

- Make sure that the water faucets are easily accessible.
- Turn off the faucets when you are not using your washer.
- Periodically check to make sure that water is not leaking from the water hose fittings.

Drainage requirements

The recommended height for the drain standpipe is 48 in. (122 cm).

The drain hose must be routed through the drain hose clip to the standpipe.

The standpipe must be large enough to accept the outside diameter of the drain hose.

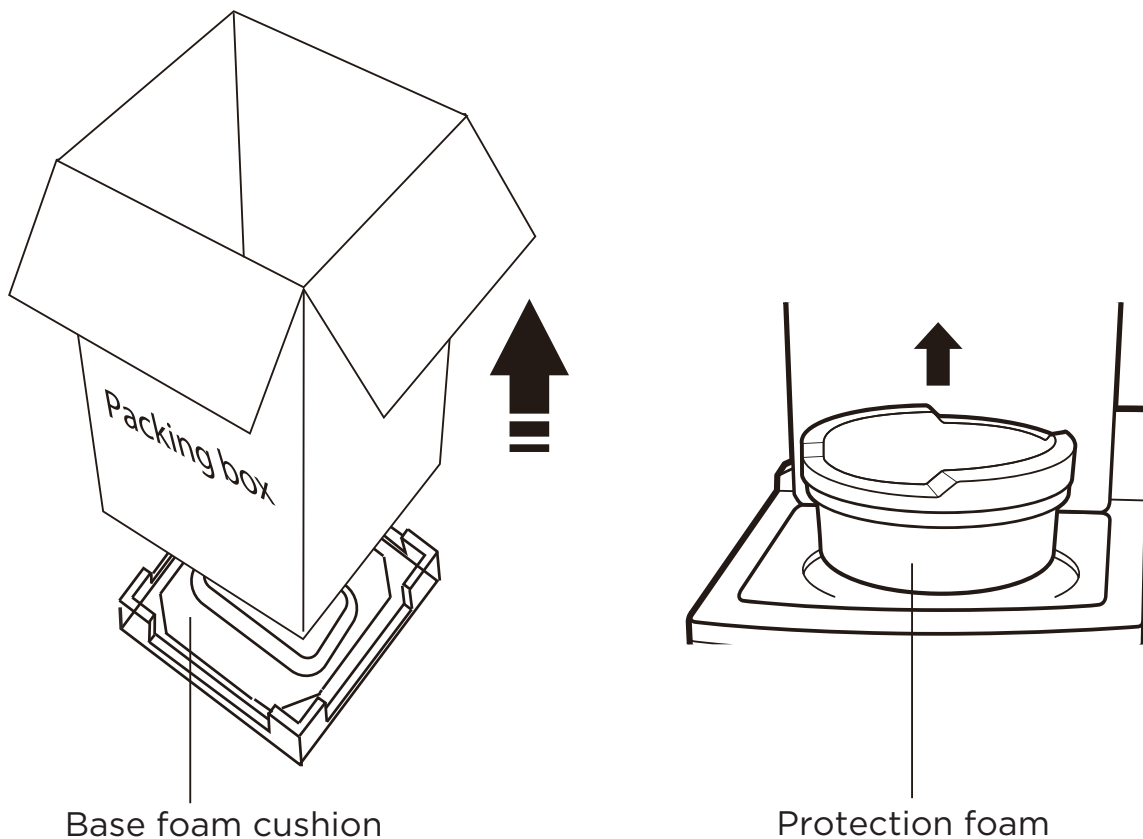
INSTALLATION INSTRUCTIONS

Unpacking your washer

WARNING

- Packing materials can be dangerous to children. Keep all packing materials (plastic bags, polystyrene, and so on) well out of the reach of children.
- Do not operate your washer on the foam base cushion. Doing so will result in serious vibration, which could cause equipment damage or result in physical injury.

Remove the packing box and lift the washer up and away from the foam base cushion. Open the lid of the washer to take out all accessories including the protective foam.



Choosing a location

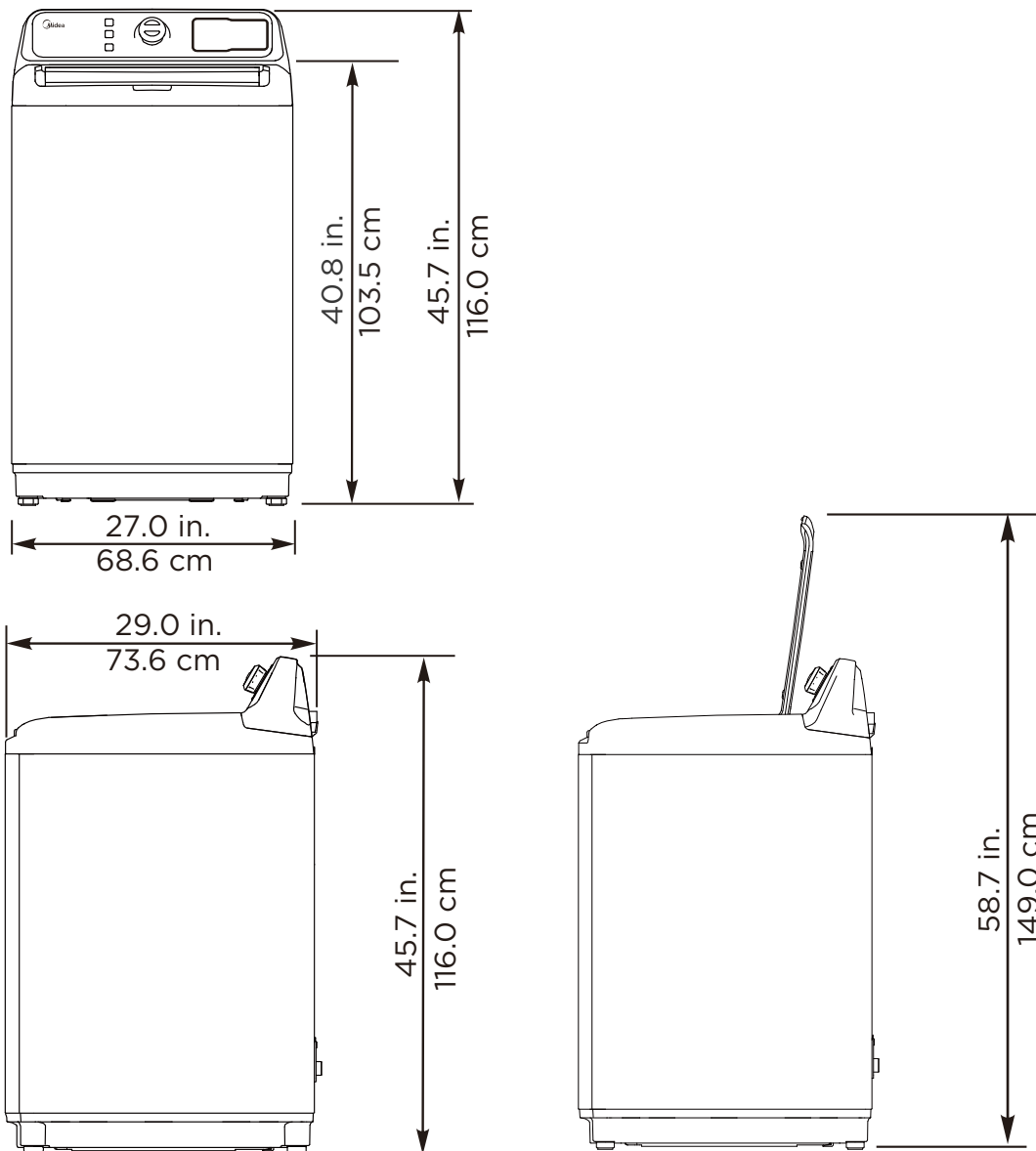
WARNING

- Do not install your washer in areas where water may freeze, because your washer always retains some water in its water valve, pump and hose areas. Frozen water can damage the valve, pump, hoses and other components.
- Never install on a platform or weakly supported structure.

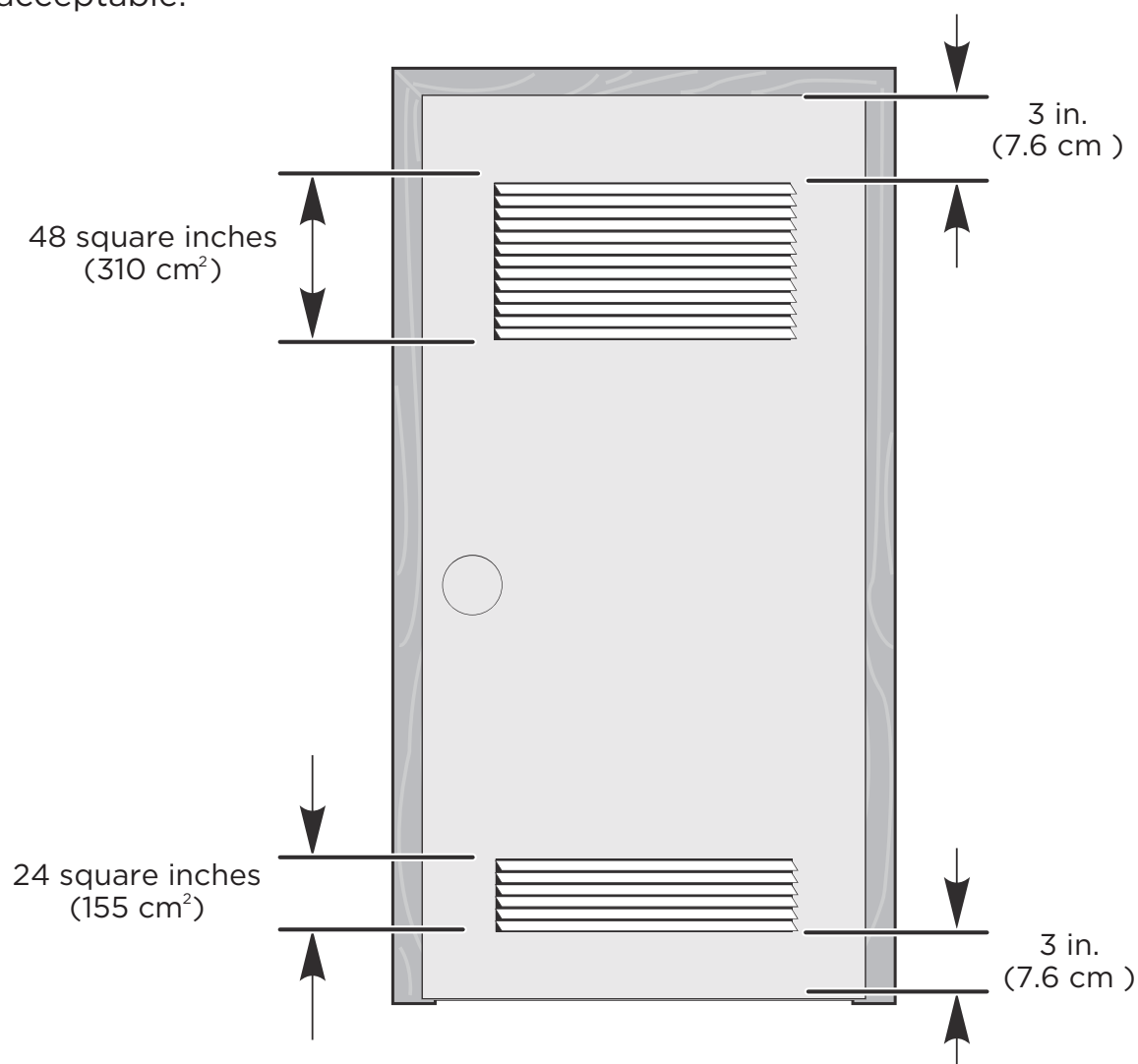
For best performance, you must install your washer on a solid, level floor. Wooden floors may need to be reinforced to minimize vibration or unbalanced load situations.

Carpeting and soft tile surfaces can contribute to excessive vibration, which can cause your washer to move slightly during the spin cycle.

Washer dimensions and installation measurements



If you install your washer in an alcove or closet, the front of the closet must have two unobstructed air openings for a combined minimum total area of 72 sq.in. (465 sq.cm) with a minimum clearance of 3 in. (7.6 mm) at the top and bottom. A slatted door with equivalent space clearance is acceptable.

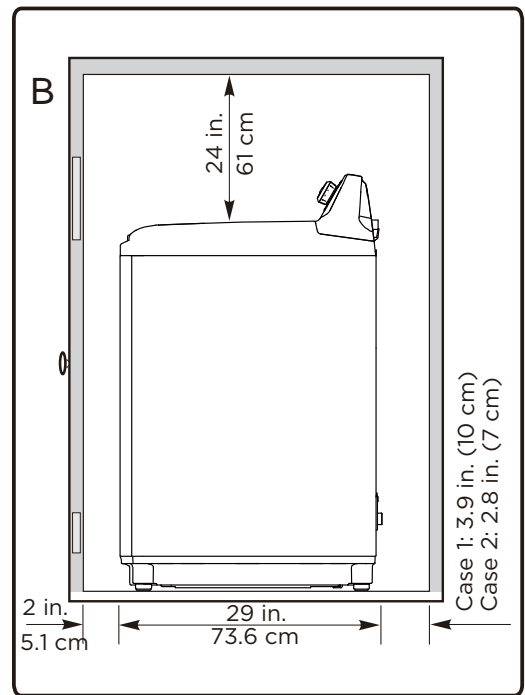
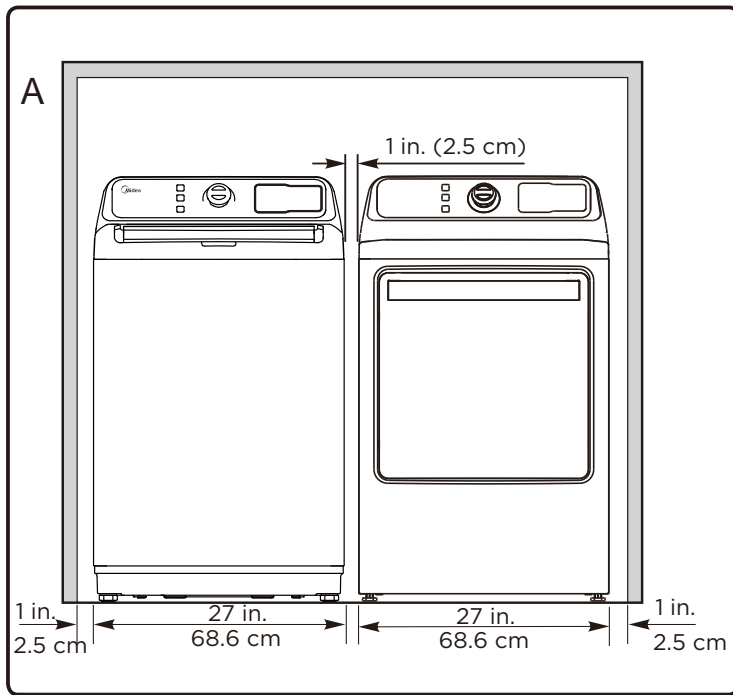


Installing in an alcove or closet

Minimum clearances between your washer and adjacent walls or other surfaces are:

- **Either side:** 1 in. (2.5 cm)
- **Rear:** 6 in. (15.2 cm)
- **Closet Front:** 2 in. (5.1 cm)
- **Top:** 24 in. (61 cm)
- **Gap between the end of water valve and the wall:**
 - **Case 1:** If you connect the supply hose **after** you install your washer: Over 3.9 in. (10 cm)
 - **Case 2:** If you connect the supply hose **before** you install your washer: Over 2.8 in. (7 cm)

If you install your washer and dryer side-by-side in a closet, the closet front must have an unobstructed air opening of at least 72 square inches (465 square cm).



A. Recessed area
B. Side view - closet or confined area

⚡ WARNING

Before you install your washer, make sure that the location:

- Is a hard, level surface without carpeting or soft flooring that can obstruct ventilation.
- Is away from direct sunlight.
- Has adequate ventilation.
- Is not exposed to freezing temperatures (32° F or 0°C).
- Is away from heat sources such as oil or gas.
- Has enough space so that the washer does not rest on its power cord.

Tools you will need



Pliers



Phillips screwdriver



Level



Flat-head screwdriver



Wrench

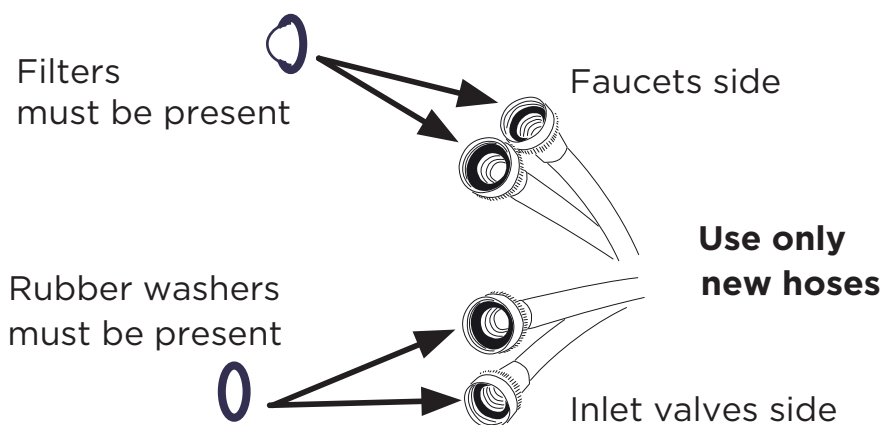
Connect the water hoses

NOTE: The water supply hoses are not supplied with your washer and must be purchased separately.

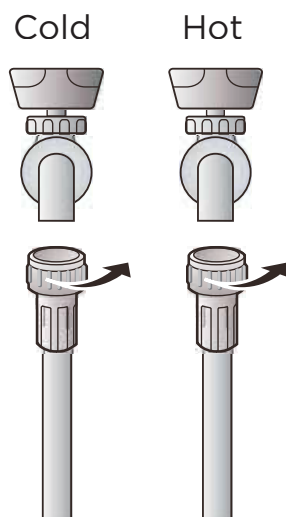
Caution

- Use new water supply hoses. Using old hoses can result in leakage or overflow that can damage your property.
- Do not connect multiple water supply hoses together to increase the length of the hose. Hoses connected this way can leak and cause electrical shock. If a hose is too short, replace the hose with a longer, high-pressure hose.

1. Make sure that there are rubber washers inside the fittings at both ends of each new water hose. Remove the rubber washers in faucet side and replace with filters. Installing the water supply hoses without rubber washers can cause water leakage.



2. Tighten the hose and faucet fittings by hand until they are snug, then tighten them an additional two-thirds of a turn with pliers or a wrench. Pull the water supply hoses downwards to make sure that they are connected securely.



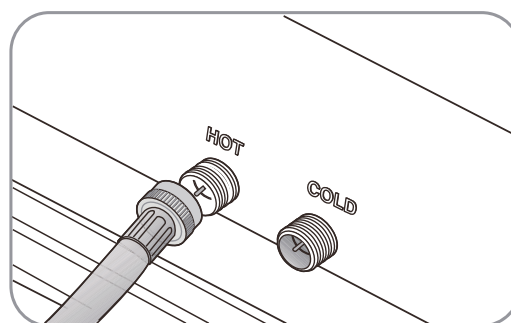
 **Caution**

Do not overtighten the fittings or apply tape or sealant to the faucets or water supply intake. This can damage the fittings.

3. Place the unconnected ends of the hoses into a bucket and turn on the faucets connected to the water supply hoses for 10 or 15 seconds to remove any foreign substances. Turn off the faucets.



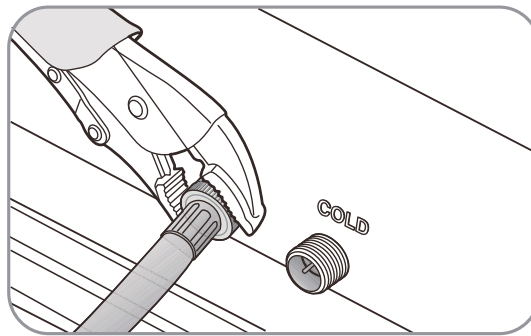
4. Connect the ends of the water supply hoses to the water supply intake connections at the top of the washer. Make sure that the rubber washers are in place. The water supply hose connected to the hot faucet must be connected to the hot water supply intake and the water hose connected to the cold faucet must be connected to the cold water supply intake.



NOTE: If you do not want to use the hot water supply hose, insert a water intake cap into the hot water supply intake hole. In this case you must select the Tap Cold option for the water temperature.

NOTE: No intake cap is provided with your washer. It must be purchased separately.

5. Tighten the fittings by hand until they are snug, and then tighten them an additional two-thirds of a turn with a wrench.



Caution

- Do not overtighten the fittings or apply tape or sealant to the faucets or water supply intakes. This can damage the fittings.
- Make sure that the water supply hoses are not twisted or bent. A bent or twisted hose can leak and cause an electric shock due to the water leakage. To ensure the correct water usage, connect both hot and cold water faucets. If either or both are not connected, an error code could occur.

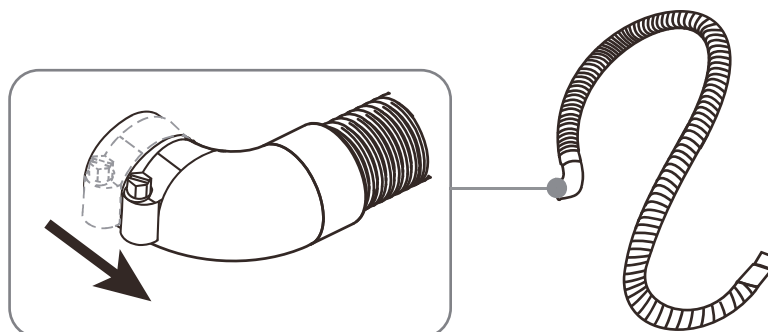
6. Turn on the hot and cold water supplies and check all the water supply intake connections and the faucets for water leaks.

Connect the drain hose

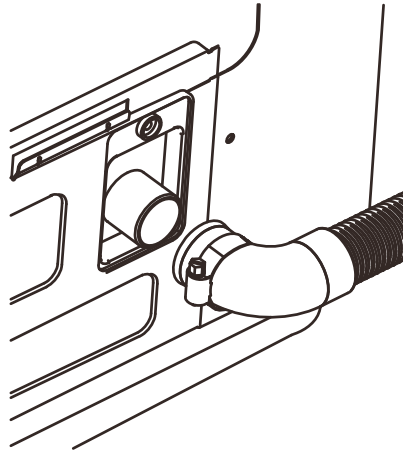
Caution

- Failure to slide the drain hose completely over the washer's drain pipe may result in water leakage.
- Failure to move the clamp or hoop onto the washer's drain pipe will result in water leakage.

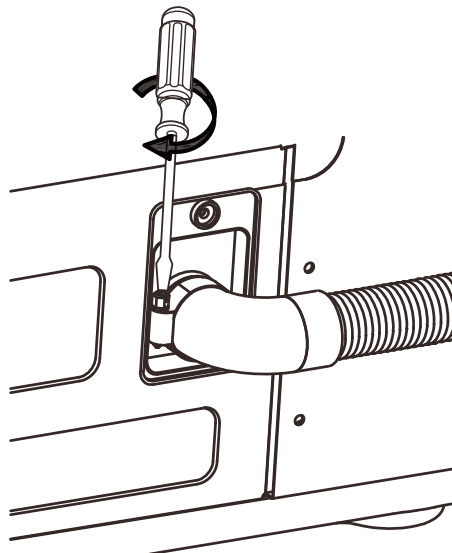
1. Find the end of the drain hose that has the clamp, then slide the clamp away from the end of the hose.



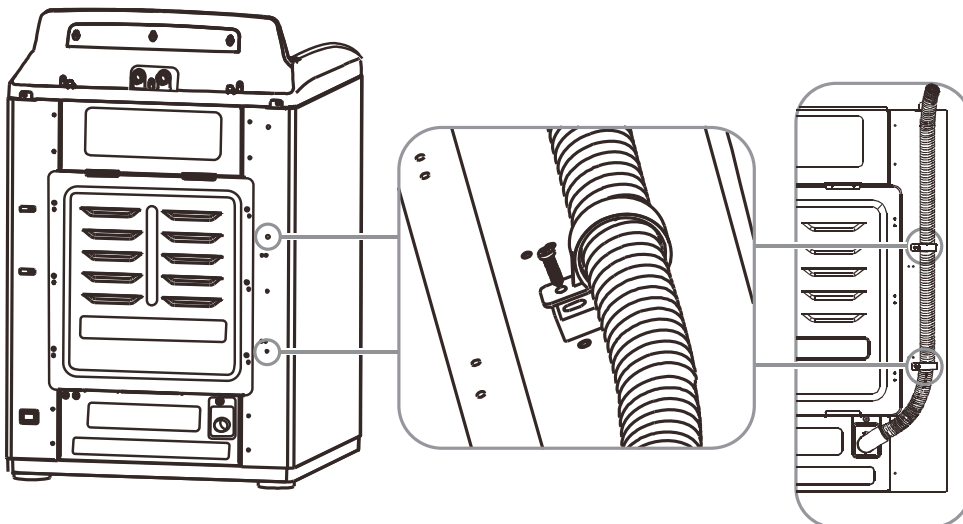
2. Insert the drain hose with the clamp onto the washer's drain pipe. Make sure that the drain hose completely covers the end of the drain pipe.



3. Move the clamp toward the drain pipe outlet. Tighten the clamp with a flat blade screwdriver.



4. Fasten the drain hose to the washer frame at the indicated directions with the hose clamps (2) provided, using a phillips screwdriver.

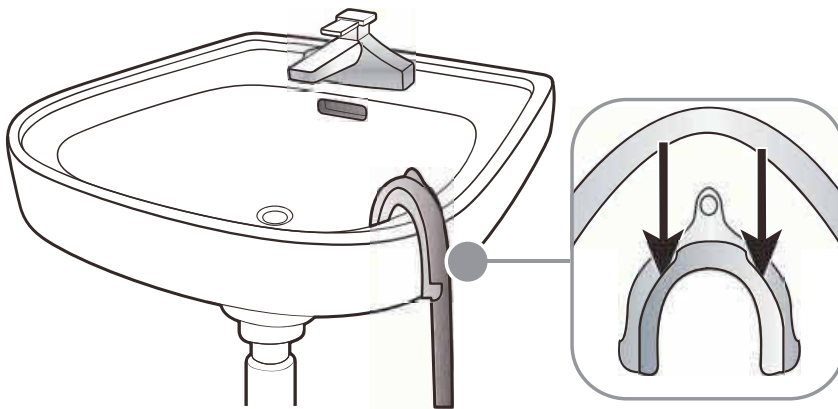


5. Position the other end of the drain hose (the loose end) in one of the following way:

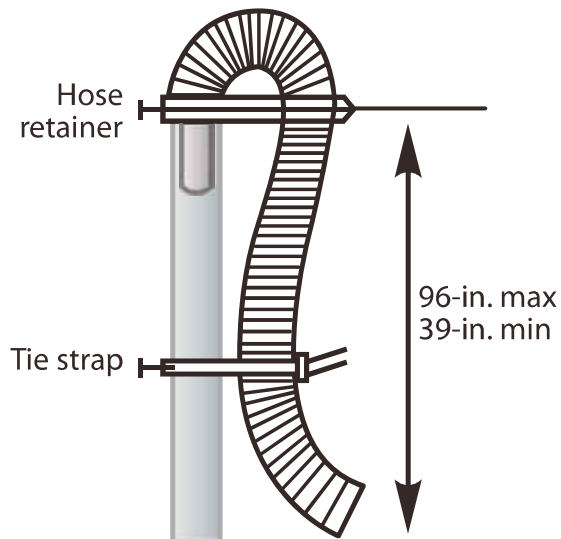
⚡ Caution

Make sure that the connection between the drain hose and the wash basin, standpipe or laundry tub is not airtight.

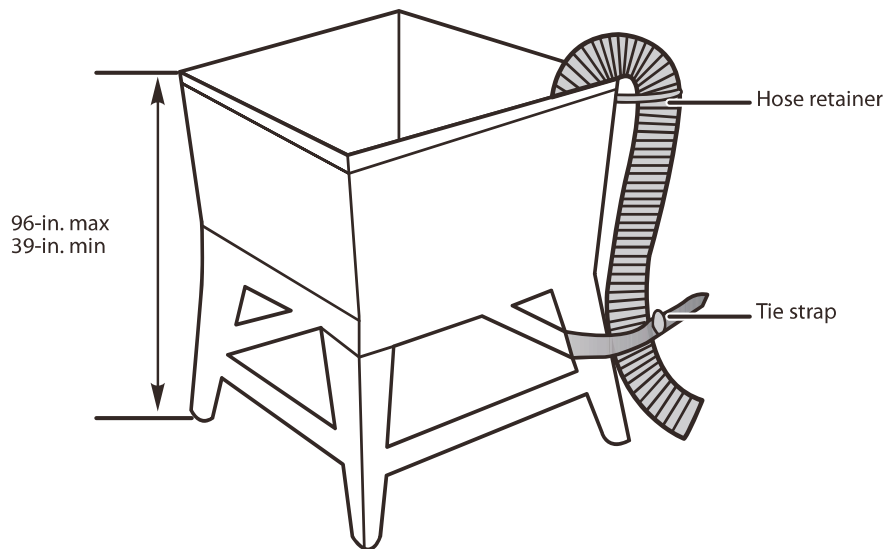
- **Over the edge of wash basin** - Secure the guide to the side of the basin wall with a hook, tape it or tie it with a piece of cord to prevent the drain hose from moving.



- **In a standpipe** - The standpipe must be no shorter than 39 in. (99 cm) and no longer than 96 in. (244 cm).



- **In a laundry tub** - The laundry tub must be no shorter than 39-in. (99 cm) and no higher than 96-in (244 cm) maximum.



Level your washer

Caution

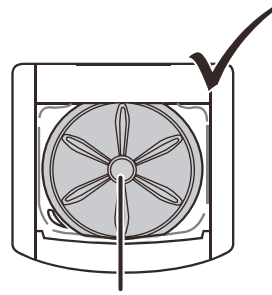
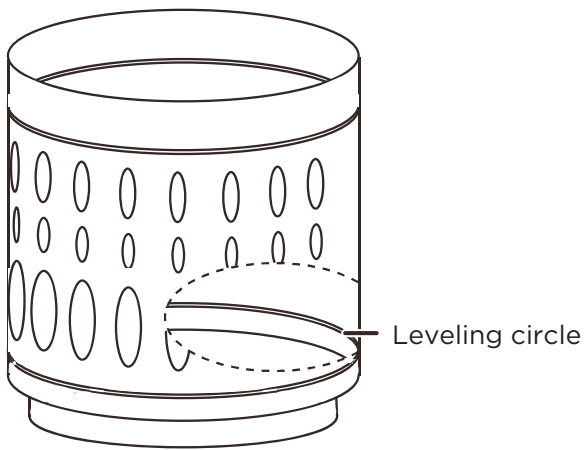
Do not use your washing machine without leveling. If your washer is not level, it may:

- Vibrate excessively which can cause your washer to malfunction.
- Make excessive noise.
- Indicate error codes E3, E4 or E5 when the washer is running.

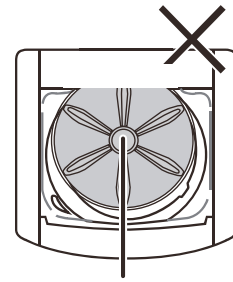
Extend the leveling feet only as much as is necessary. If the feet are extended too much, your washer may vibrate.

Determine if the washer is level by checking the position of the tub or by using a level.

1. Slide the washer into position.
2. Open the lid of the washer, then pour water into the tub to the leveling circle. If the washer is level, the water will touch the leveling circle all the way around. If the washer is not level, the water will only touch part of the leveling circle.

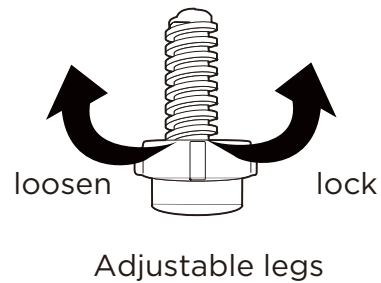
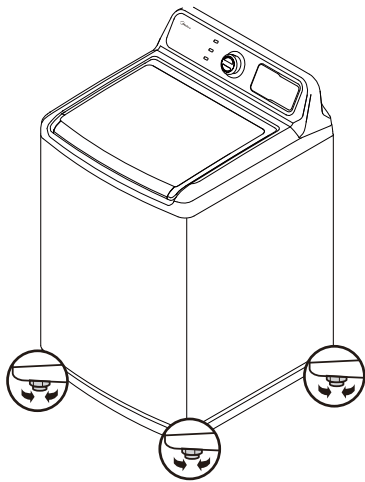


Washer is level - the water touches the leveling circle all the way around.



Washer not level - the water does not touch the leveling circle all the way around.

- If your washer is not level, carefully tilt your washer just enough to adjust the leveling feet on the bottom front of your washer. Extend the feet only as much as is necessary. If the feet are extended too much, your washer may vibrate.



Power on

Plug the power cord into a well-grounded, 3-prong, 120 Volt 60 Hz approved electrical outlet, protected by a 15-amp fuse or comparable circuit breaker. Your washer is grounded through the third prong of the power cord.

Run a test cycle

Run a test cycle to make sure that your washer is properly installed.

1. Load about 6 pounds (2.7 kg) of laundry into the tub.
2. Press the **Power** button to turn on your washer.
3. Turn the cycle selector to select the **Rinse & Spin** cycle.
4. Press the **Start Pause** button to start the test cycle. Your washer should not rock or vibrate excessively when water fills the tub or when washing or spinning. The washer should drain well during the spin cycle.



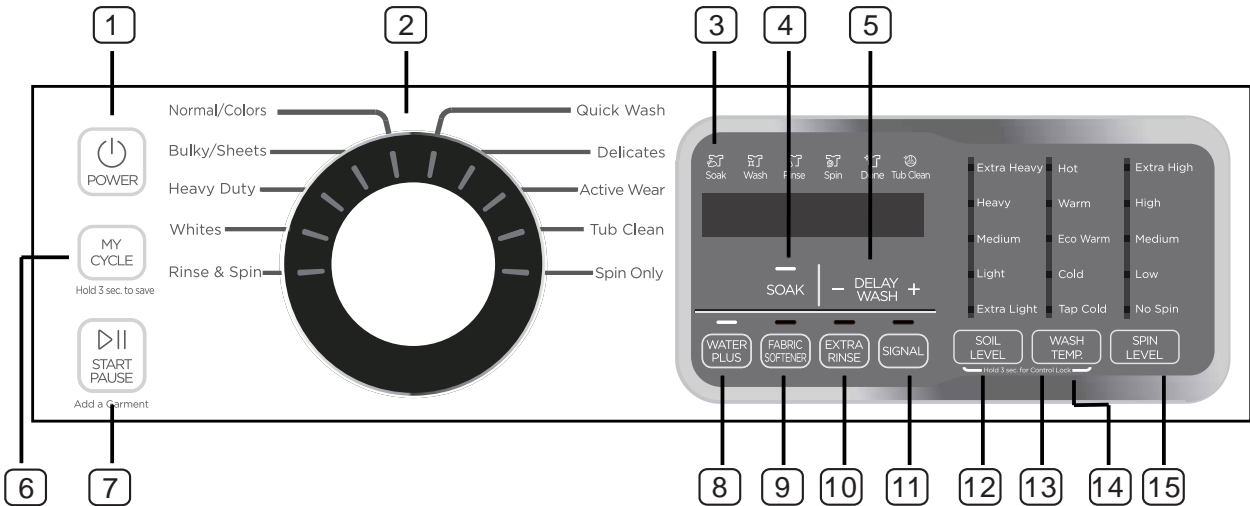
Caution

- If you detect any water leaks while the washer is filling or draining, check the water connections. See **Connect the water hoses** on page 19 or **Connect the drain hose** on page 21.
- If the washer rocks and/or vibrates excessively, level it again. See **Level your washer** your washer on page 24.

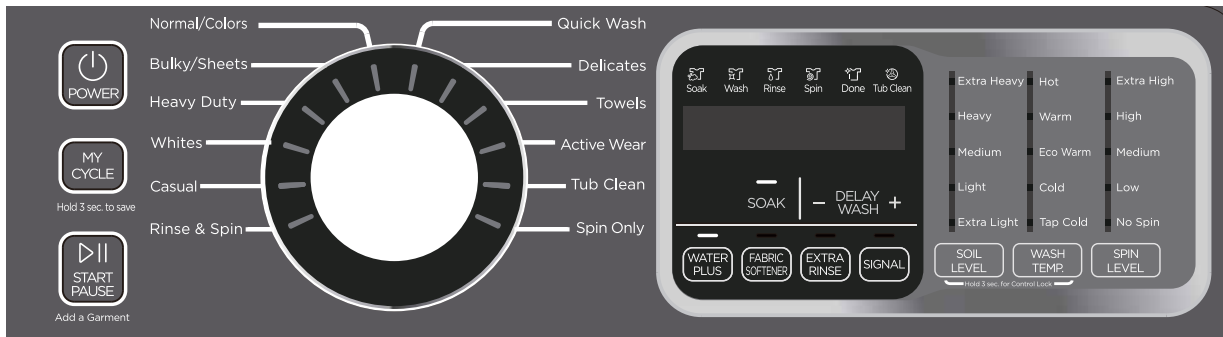
WASHER USE

Control panel

MLV45N1BWWC



MLV45N3BWWC



1 POWER

Press to turn on your washer. Press again to turn off your washer. If you leave your washer on and do not press the **START PAUSE** button within 10 minutes, your washer will automatically turn off.

2 Cycle selector

Turn to select a wash cycle. The cycle you select determines the wash pattern for the cycle. For more information, see **Washer options and settings** on page 35.

3 **Digital display**

The initial display is the total time for the cycle you select.

While your washer is running, the display shows the cycle process and time remaining in the cycle.

NOTE: the time shown is an estimate based on normal operating conditions. External factors (such as the load size, room temperature, incoming water temperature, and water pressure) can affect actual time.

If you set a delay time for the start of the cycle, the display shows the time when the cycle will start.

4 **SOAK**

Press to select the **SOAK** option. Press again to cancel. Select this option for heavily soiled items that need to soak to remove stains and heavy dirt.

Soak occurs after the tub fills and detergent is added, but before the wash process. The agitator or impeller will rotate several times during the soak process.

5 **Delay**

Press to select a time when you want the cycle to begin. You can set the time up to 24 hours in advance in one-hour increments. The display shows the time when the cycle will start. For more information, see **Set a delayed start time** on page 32.

6 **MY CYCLE**

Press and hold for 3 seconds to remember your favorite washing cycle. Press once to load your favorite cycle settings.

7 **START PAUSE**

Press once to start the wash cycle. Press again to pause the cycle. If you pause the cycle, you can add or remove items, but you cannot change any settings. Press again to restart the cycle.

8 **WATER PLUS**

Press once to increase one higher water level. Press again to cancel this function. If the water level is already set to the highest, the level will not change.

9 **FABRIC SOFTENER**

Add liquid fabric softener to the fabric softener compartment, and then press this button. The fabric softener will be added to the cycle at the correct time.

10 **EXTRA RINSE**

Press to add an extra rinse to the wash cycle. Press again to cancel.

11 SIGNAL

The sound off function can be selected during all courses.

12 SOIL LEVEL

Press to select the soil level. Different soil levels result in different washing times and wash cycle settings. For more information, see **Washer options and settings** on page 35.

13 Control lock

Press and hold the **SOIL LEVEL** and **Temp.** buttons at the same time for 3 seconds to turn on the child lock function. Press and hold these buttons again for 3 seconds to turn off the function. When the child lock function is turned on, the only button that works is the **POWER** button and the **SOIL LEVEL** and **Temp.** buttons you use to turn off the child lock.

14 WASH TEMP.

Press to select the washing water temperature. The rinse water temperature is always cold.

15 SPIN LEVEL

Press to select the spin level to increase spin time or short the spin time. This function can not be selected with **Normal/Colors** and **Tub Clean** cycle.

Washing a load of laundry

WARNING

To reduce the risk of fire, electric shock, or injury to persons, read the SAFETY INSTRUCTIONS before operating this appliance.

Selecting a detergent

Your washer is designed to use high efficiency (HE) detergents.

- For the best cleaning results, use an HE detergent. We recommend that you do not use a regular detergent. HE detergents contain suppressors that reduce or eliminate suds. When fewer suds are produced, the load tumbles more efficiently and cleaning is maximized.
- Reducing the amount of detergent may reduce the quality of cleaning. Make sure that you:
 - Pre-treat stains.
 - Sort carefully by colour and soil level.
 - Avoid overloading.

1. Turn on your washer

Press the **Power** button to turn on your washer. Your washer's initial settings are:

- **Normal** on cycle selector with -- displayed on the digital display.
- **Medium** for the Soil Level.
- **Warm** for the **Wash Temp.**

2. Load your washer

Caution

Before loading your laundry, make sure that you remove coins, keys, and other hard objects and close zippers. These items may damage clothes.

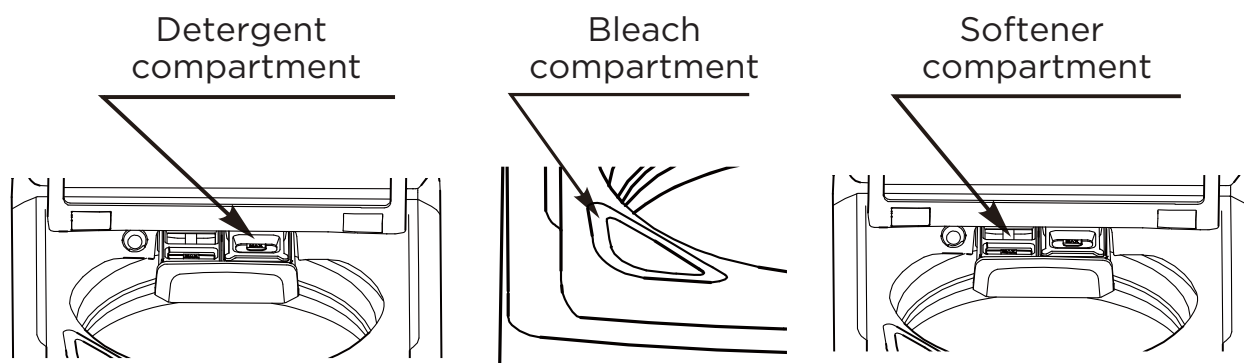
- Sort laundry by fabric type, soil level, colour, and load size.
- Fill the tub with dry, unfolded clothes. Load the tub no more than 3/4 full.

NOTE:

- Overloading may reduce washing efficiency, cause excess wear, and possibly cause creasing or wrinkling of the load.
- Wash delicate items such as bras, hosiery and other lingerie on the **Delicates** cycle with similar lightweight items.

- When washing big, bulky items (such as rugs or pillows) or a few smaller items (such as stuffed toys or one or two sweaters) that do not fill the tub completely, add a few towels to improve spin performance.
- Always use the **Bulky** cycle for bulky items.
- When washing heavily soiled loads, do not overload your washer to ensure good cleaning results.

3. Add detergent and additives to the compartment



Loading the liquid or powder detergent compartment

- Pour the recommended amount of laundry detergent directly into the compartment before starting your washer.
- If you are using colour-safe bleach, add it with the detergent to the detergent compartment.

NOTE:

- When adding colour-safe bleach with detergent, both laundry products should be in the same form (liquid).
- If no detergent compartment, you should add the detergent into the tub.

Loading the bleach compartment (liquid bleach only)

- Add chlorine bleach to the bleach compartment. Do not over-fill the compartment.
- If there is no water inlet to the bleach dispenser, so the bleach will directly load into the tub when you pour it in.



Caution

- Avoid splashing or over-filling the compartment.
- Never pour undiluted liquid chlorine bleach directly onto the load or into the tub. Doing so can damage fabrics, by weakening of the fibers or stripping the colour.

NOTE: Do not pour colour-safe bleach into the bleach compartment. Instead, add it to the detergent compartment.

Loading the fabric softener compartment

- Pour the recommended amount of liquid fabric softener into the softener compartment. The dispenser automatically releases liquid fabric softener at the correct time during the rinse cycle.

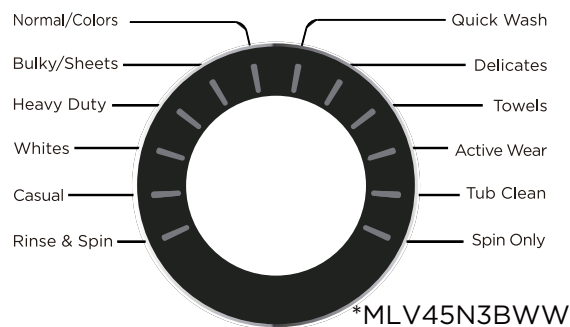
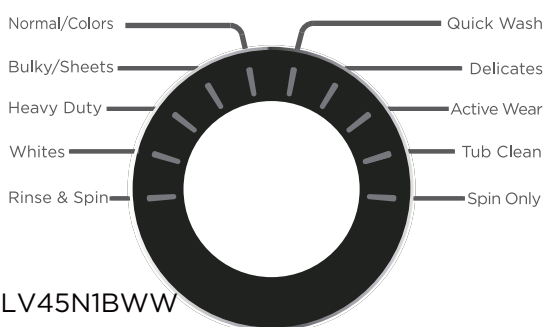


Caution

- Use the softener compartment **ONLY** for liquid fabric softeners.
- Do not use the **Downy Ball®** in the fabric softener compartment.
- Do not use liquid fabric softener that is too sticky as it may not mix with the water sufficiently.
- Be sure to select the Fabric Softener option when using fabric softener so that it is released in the rinse portion of the cycle.

4. Select the appropriate cycle and options for the load

- Turn the cycle selector to select a washing cycle. For information on wash cycles, see **Washer options and settings** on page 35.



- **Optional:** Use the control panel buttons (like Fabric Softener) to customize the washing cycle. For descriptions of buttons, see **Control panel** on page 27. For information about which buttons are available for each cycle type, see **Washer options and settings** on page 35.

5. (Optional) Set a delayed start time

You can program a wash cycle, then set a time when you want a wash cycle to begin.

- Press the **DELAY WASH** button to turn on the delay start time function.



- Press the **Delay** button repeatedly to select the delay time you want. The delay start time, in hours, will be shown on the display, in sequence, from **0** to **24**, then back to **0**. You can also press and hold the **Delay** button to quickly adjust the time until the desired time appears on the display.
- If you want to change the wash cycle settings while you are setting the delay start time, turn the cycle selector. To return to setting the delay start time function, repeat Steps 1 and 2.

NOTE:

- Once the number of delay hours is reached by pushing the **Delay** button, release the button for three seconds and it will be set. The delay light will remain on.
- After the delay time is set, if you wish to change the delay setting, press the **Delay** button again until the desired hour is reached. Release the button for three seconds and it will be set.
- If you decide to cancel the delay setting, you can either turn the cycle selector or push the **Delay** button until **0** is reached.
- Ideally, you should set your cycle before setting the Delay, because turning the cycle selector after the delay is set cancels the delay.
- **The Delay Start Time cannot be changed after the program has started.**
- To cancel the delay start time function before you save the setting, press the **Delay** button until **0** appears on the display, or turn the cycle selector knob.

IMPORTANT:

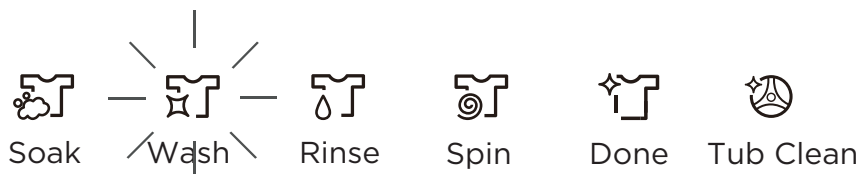
- You can change settings or cancel the delay start time function anytime before you press the **Start Pause** button by turning the cycle selector. The delay start time cannot be changed after you press the **Start Pause** button.
- If you pressed the **Start Pause** button, you can cancel the delay start time function by pressing the **Power** button to turn off your washer, then pressing the **Power** button again to turn it back on.

6. Start your washer

- Press the **Start Pause** button.

NOTE:

- If you have not set a delayed start time or if the delay time has expired, your washer starts the cycle and the **Wash** light turns on.
- As your washer moves from stage to stage in the wash cycle, the related light turns on (such as **Rinse** or **Spin**).
- If you set a delayed start time, the **Delay** light turns on and your washer starts counting down the start time.

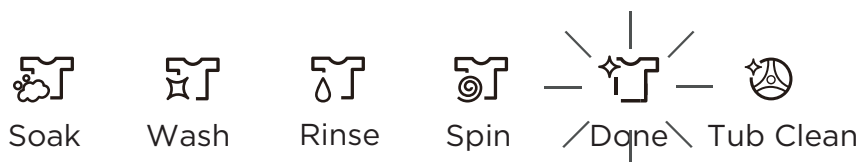


- If you need to pause the cycle (for example to add or remove items or adjust the load), press the **Start Pause** button, then open the lid. Your washer stops. When you are ready to resume washing, close the door, then press the **Start Pause** button.

7. Unload your laundry

When the wash cycle is complete:

- The done light turns on.
- Your washer beeps six times and flashes **11, 22, 33, 44, 55, 66** after the cycle is done.
- Your washer unlocks the lid.



- Open the lid and remove the laundry.

Setting the child lock

Your washer has a child lock function to prevent children from playing with your washer. When you turn on the child lock, the only buttons that work are the **Power** button and the **Soil Level** and **Temp.** buttons you use to turn off the child lock.

- Press and hold both the **Soil Level** and **Temp.** buttons for three seconds. The child lock light turns on.



- To turn off the child lock, press and hold both the **Soil Level** and **Temp.** buttons for three seconds.

NOTE:

- If your washer is not turned on, the child lock can still remain set. Press the **Power** button, turn on the child lock function, then press the **Power** button to turn off your washer. When you want to use your washer, you need to turn off the lock function.

- If you turn on the child lock function while the washer lid is open, E3 appears on the display. If you do not close the lid within 20 seconds, your washer sounds an alarm, displays CL, and drains all the water in the tub. To clear the alarm, press the **Power** button to turn off your washer.

Washer options and settings

Options and settings table of MLV45N1BWWC.

- Maximum load weight= 18.65 lbs (8.46 kg) (Dry clothes)
- **Bolded options are initial settings.** • (dots) indicate options functions you can select.

Cycle	Fabric type	Soil level options	Temp. options	Spin Level options	Delay	Soak	Extra rinse	Fabric softener	Water Plus	Signal
Normal/Colors	Cotton, linen Towels, Shirts Sheets, Jeans Mixed loads	Extra Heavy Heavy Medium Light Extra Light	Hot Warm Eco Warm Cold Tap Cold	Medium	•	•	•	•	•	•
Heavy Duty	Heavily soiled cotton fabrics	Extra Heavy Heavy Medium Light	Hot Warm Eco Warm Cold Tap Cold	Extra High High Medium Low No spin	•	•	•	•	•	•
Tub Clean	See page 36	Extra Heavy	Hot	Medium	•					•
Spin Only				Extra High High Medium Low	•					•
Rinse & Spin			Tap Cold	Extra High High Medium Low No spin	•			•	•	•
Bulky/Sheets	Large items like blankets and comforters	Extra Heavy Heavy Medium Light Extra Light	Hot Warm Eco Warm Cold Tap Cold	Extra High High Medium Low No spin	•	•	•	•	•	•
Delicates	Dress shirts Blouses Nylons Sheer/lacy	Heavy Medium Light Extra Light	Hot Warm Eco Warm Cold Tap Cold	Extra High High Medium Low No spin	•	•	•	•	•	•
Quick Wash	Lightly soiled and small loads	Medium Light Extra Light	Hot Warm Eco Warm Cold Tap Cold	Medium	•	•	•	•	•	•
Whites	White Fabric	Medium Light Extra Light	Hot Warm Eco Warm Cold Tap Cold	Extra High High Medium Low No spin	•	•	•	•	•	•
Active wear	Active Wear	Heavy Medium Light Extra Light	Hot Warm Eco Warm Cold Tap Cold	Extra High High Medium Low No spin	•	•	•	•	•	•

Follow the clothes labels for selection of adequate the wash cycle and temperature settings.



WASHER CARE

Caution

Turn off the water faucets after final use. This shuts off the water supply to your washer and prevents the possibility of damage from escaping water. Leave the lid open to let the inside of your washer dry out.

CLEANING AND MAINTENANCE

Cleaning the exterior

Use a soft cloth to wipe up all detergent, bleach, or other spills as they occur.

Cleaning the interior

- Clean the interior of your washer periodically to remove any dirt, soil, odour, mold, mildew, or bacterial residue that may remain in your washer as a result of washing clothes.
- Failure to follow these instructions may result in unpleasant conditions, including odours or permanent stains in your washer or on your laundry.
- To remove hard water deposits, use a cleaner labeled "Washer safe".

Cleaning the control panel

- Clean with a soft, damp cloth. Do not use abrasive powders or cleaning pads.
- Do not spray cleaners directly on the panel. The control panel finish may be damaged by some laundry pre-treatment soil and stain remover products. Apply such products away from your washer and wipe up any spills or over-spray immediately.

Cleaning the detergent, bleach, or softener compartment

- To remove laundry product residue, wipe with a damp cloth and towel dry.
- You can remove the bleach detergent and softener compartments to clean them.

Cleaning the tub

The **Tub Clean** cycle is a self-cleaning cycle that removes the causes of odours that may occur inside your washer without using a cleaning agent. We suggest cleaning the tub about once a month.

Caution

Never use the tub clean cycle when laundry is in your washer. This may damage the laundry or your washer.

- With the tub empty, add one cup of chlorine bleach to the bleach dispenser.
- Press the **Power** button.
- Turn the cycle selector to **Tub Clean**. When you select **Tub Clean**, the only options you can change is the delay option.
- Press the **Start Pause** button.

Storing your washer

You can damage your washer if you do not remove water from hoses and internal components before storage.

To prepare your washer for storage:

- Select the **Quick Wash** cycle and add bleach to the washer. Run your washer through the cycle without a load.
- Turn the water faucets off and disconnect the inlet hoses.
- Unplug your washer from the electrical outlet and leave your washer lid open to let air circulate inside the tub.

Caution

If your washer has been stored in below-freezing temperatures, allow time for any leftover water in your washer to thaw out before use.

BEFORE YOU CALL FOR SERVICE...

Troubleshooting Tips

Save time and money! Review the charts on the following pages first and you may not need to call for service.

Problem	Solutions
Washer does not start	<ul style="list-style-type: none"> • Make sure that your washer is plugged in. • Make sure that the lid is closed. • Make sure that the water source faucets are open. • Make sure that you press the Start Pause button to start your washer. • Before your washer starts to fill, it makes a series of clicking noises to make sure that the lid is locked and to do a quick drain. • Make sure that the Child Lock is not activated. See Setting the child lock on page 34. • Make sure that the Delay option is not turned on. See (Optional) Set a delayed start time on page 32. • Check the fuse or reset the circuit breaker.
No water or not enough water	<ul style="list-style-type: none"> • Make sure that both faucets are fully turned on. • Make sure that the water pressure is in the range listed in Water requirements on page 14. • Make sure that the water inlet hoses are not kinked. Straighten if necessary. • Disconnect the hoses and clean the screens. The hose filter screens may be clogged
When washer has excessive vibration or noise	<ul style="list-style-type: none"> • Make sure that your washer is set on a level surface. If the surface is not level, adjust your washer's feet to level your washer. • Make sure that your washer is not touching any other object. • Make sure that the laundry load is balanced. • During the spin process, if clothes are piled to one side of the tub, your washer may stop because of the imbalance. Your washer tries up to three times to solve the problem automatically. If the washer cannot solve the problem, try to manually redistribute clothes inside the tub.

Problem	Solutions
Washer stops	<ul style="list-style-type: none"> • Make sure that the power outlet is a working outlet. • Check the fuse or reset the circuit breaker. • Close the lid, then press the Start Pause button to start your washer. For your safety, your washer does not spin unless the lid is closed. • Before your washer starts to fill, it makes a series of clicking noises to make sure that the lid is locked and to do a quick drain. • Sometimes your washer may pause between stages in the cycle. Wait to see if your washer starts again. • Disconnect the inlet hoses and clean the screens periodically. The hose filter screens may be clogged.
Lid is locked or will not open	<ul style="list-style-type: none"> • Press the Start Pause button to pause the washer. You cannot open the lid if the washer is running. • After you pause the washer, it may take a few seconds for the lid lock to release. • If the lid is locked when your washer is not running, press the Power button to turn on your washer. • If power fails while your washer is running, when power is restored, the lid unlocks. Your washer waits three minutes then runs the rest of the cycle.
Washer does not drain or spin	<ul style="list-style-type: none"> • Check the fuse or reset the circuit breaker. • Close the lid, then press the Start Pause button to start your washer. For your safety, your washer does not spin unless the lid is closed. • Make sure that the drain hose is not kinked. Straighten as necessary. • Make sure that the height of the drain hose is within specified limits. See Drainage requirements on page 14. • The pipes to your sewer system may be clogged. Contact a plumber or qualified repair professional.
The water temperature is not correct	<ul style="list-style-type: none"> • Make sure that you have selected the correct temp. • Make sure that the water source faucets are fully opened. • Make sure that the hoses are connected to the correct faucet and water intake connections on your washer, then flush the lines. See Connect the water hoses on page 19. • Disconnect the hoses and clean the screens. The hose filter screens may be clogged.

Problem	Solutions
Load is too wet at the end of the cycle	<ul style="list-style-type: none"> • Use a high-efficiency detergent to reduce over-sudsing. See Selecting a detergent on page 30. • The load may be too small. Very small loads (one or two items) may become unbalanced and not spin out completely.
Water leaks	<ul style="list-style-type: none"> • Make sure that all hose connections are tight. See Connect the water hoses on page 19 and Connect the drain hose on page 21. • Make sure that the end of the drain hose is correctly inserted and secured to the drainage system. See Connect the drain hose on page 21. • Avoid overloading. • Use a high-efficiency detergent to reduce over-sudsing. See Selecting a detergent on page 30.
Oversuds condition	<ul style="list-style-type: none"> • Use a high-efficiency detergent to reduce over-sudsing. See Selecting a detergent on page 30. • If you have "soft" water, reduce the amount of detergent. • For small or lightly soiled loads, reduce the amount of detergent.
Prevent odour	<ul style="list-style-type: none"> • Periodically run a Tub Clean cycle to clean the tub. See Cleaning the tub on page 36. • Use a high-efficiency detergent to reduce over-sudsing. Excessive suds collect in nooks and crannies and cause odour. See Selecting a detergent on page 30. • Dry the interior of your washer after the total cycle has finished.

ERROR CODES

Description	Reason	Solutions
E1	Your washer takes more than 30 minutes to fill with water. After water finishes entering your washer, the water level has not changed in five minutes.	<ul style="list-style-type: none"> • Make sure that the lid is not open. • Make sure that water is not leaking. See No water or not enough water on page 38. • Contact Midea service centre.

Description	Reason	Solutions
E2	The unit takes more than 10 minutes to drain.	<ul style="list-style-type: none"> • See Washer does not drain or spin on page 39.
E3	The lid is open. The washer is not level.	<ul style="list-style-type: none"> • Close the lid. • Level the washer see Level your washer on page 24.
E4	Your washer is out of balance more than three times in spin operation.	<ul style="list-style-type: none"> • See Washer vibrates or is too noisy on page 38 • Contact Midea service centre
E5	Your washer is not level. Impact switch failed.	<ul style="list-style-type: none"> • Adjust the washer level refer to installation. • If the situation continues call Midea service centre.
F2	The EEPROM failed	<ul style="list-style-type: none"> • Contact Midea service centre.
F5	Load sensing failed.	<ul style="list-style-type: none"> • Contact Midea service centre.
F8	Water level sensor failed.	<ul style="list-style-type: none"> • Contact Midea service centre.
Fd	Lid lock failed.	<ul style="list-style-type: none"> • Contact Midea service centre.
C9	The PCB failed.	<ul style="list-style-type: none"> • Contact Midea service centre.
CL	The lid has been open for over 20 seconds with the Child Lock function activated.	<ul style="list-style-type: none"> • Press the Power button to turn off your washer. • Turn off the Child Lock function see Setting the child lock on page 34. • Contact Midea service centre.

MIDEA LAUNDRY WASHER LIMITED WARRANTY

ATTACH YOUR RECEIPT HERE. PROOF OF PURCHASE IS REQUIRED TO OBTAIN WARRANTY SERVICE.

Please have the following information available when you call the Customer Service Centre:

- Name, address and telephone number
- Model number and serial number
- A clear, detailed description of the problem
- Proof of purchase including dealer or retailer name and address, and date of purchase

IF YOU NEED SERVICE:

1. Before contacting us to arrange service, please determine whether your product requires repair. Some questions can be addressed without service. Please take a few minutes to review the Troubleshooting section of the User Manual, or email customerserviceusa@midea.com
2. All warranty service is provided exclusively by our authorized Midea Service Providers, in the U.S. and Canada.

Midea Customer Service

In the U.S.A. or Canada, call 1-866-646-4332 or email customerserviceusa@midea.com.

If outside the 50 States of the United States or Canada, contact your authorized Midea dealer to determine whether another warranty applies.

LIMITED WARRANTY

WHAT IS COVERED

FIRST YEAR LIMITED WARRANTY (PARTS AND LABOUR)

For one year from the date of purchase, if this major appliance is installed, operated and maintained according to instructions attached to or furnished with the product, Midea America (Canada) Corp. (hereafter "Midea") will pay for factory specified replacement parts and repair labour to correct defects in materials or workmanship that existed when this major appliance was purchased, or at its sole discretion replace the product. In the event of product replacement, your appliance will be warranted for the remaining term of the original unit's warranty period.

LIFETIME LIMITED WARRANTY (STAINLESS STEEL TUB)

For the lifetime of the product from the date of original purchase, when this major appliance is installed, operated and maintained according to instructions attached to or furnished with the product, Midea will pay for factory specified parts and repair labour for the following components to correct non-cosmetic defects in materials or workmanship that existed when this major appliance was purchased:

- Stainless steel tub

YOUR SOLE AND EXCLUSIVE REMEDY UNDER THIS LIMITED WARRANTY SHALL BE PRODUCT REPAIR OR REPLACEMENT AS PROVIDED HEREIN. Service must be provided by a Midea designated service company. This limited warranty is valid only in the 50 States of the United States or Canada and applies only when the major appliance is used in the country in which it was purchased. This limited warranty is effective from the date of original consumer purchase. Proof of original purchase date is required to obtain service under this limited warranty.

LIMITED WARRANTY

WHAT IS NOT COVERED

1. Commercial, non-residential or multiple-family use, or use inconsistent with published user, operator or installation instructions.
2. In-home Instruction on how to use your product.
3. Service to correct improper product maintenance or installation, installation not in accordance with electrical or plumbing codes or correction of household electrical or plumbing (i.e. house wiring, fuses, plumbing or water inlet hoses).
4. Consumable parts (i.e. light bulbs, batteries, air or water filters, etc.).
5. Defects or damage caused by the use of non-genuine Midea parts or accessories.
6. Damage from accident, misuse, abuse, fire, floods, electrical issues, acts of God or use with products not approved by Midea.
7. Repairs to parts or systems to correct product damage or defects caused by unauthorized service, alteration or modification of the appliance.
8. Cosmetic damage including scratches, dents, chips, and other damage to appliance finishes unless such damage results from defects in materials and workmanship and is reported to Midea within 30 days.
9. Routine maintenance of the product.
10. Products that were purchased "as is" or as refurbished products.
11. Products that have been transferred from its original owner.
12. Discoloration, rust or oxidation of surfaces resulting from caustic or corrosive environments including but not limited to high salt concentrations, high moisture or humidity or exposure to chemicals.
13. Pick-up or delivery. This product is intended for in-home repair.
14. Travel or transportation expenses for service in remote locations where an authorized Midea servicer is not available.
15. Removal or reinstallation of inaccessible appliances or built-in fixtures (i.e. trim, decorative panels, flooring, cabinetry, islands, countertops, drywall, etc.) that interfere with servicing, removal or replacement of the product.
16. Service or parts for appliances with original model/serial numbers removed, altered or not easily identified.

The cost of repair or replacement under these excluded circumstances shall be borne by the customer.

DISCLAIMER OF IMPLIED WARRANTIES

IMPLIED WARRANTIES, INCLUDING ANY IMPLIED WARRANTY OF MERCHANTABILITY OR IMPLIED WARRANTY OF FITNESS FOR A PARTICULAR PURPOSE, ARE LIMITED TO ONE YEAR OR THE SHORTEST PERIOD ALLOWED BY LAW. Some states and provinces do not allow limitations on the duration of implied warranties of merchantability or fitness, so this limitation may not apply to you. This warranty gives you specific legal rights, and you also may have other rights that vary from state to state or province to province.

DISCLAIMER OF REPRESENTATIONS OUTSIDE OF WARRANTY

Midea makes no representations about the quality, durability, or need for service or repair of this major appliance other than the representations contained in this warranty. If you want a longer or more comprehensive warranty than the limited warranty that comes with this major appliance, you should ask Midea or your retailer about buying an extended warranty.

LIMITATION OF REMEDIES; EXCLUSION OF INCIDENTAL AND CONSEQUENTIAL DAMAGES

YOUR SOLE AND EXCLUSIVE REMEDY UNDER THIS LIMITED WARRANTY SHALL BE PRODUCT REPAIR AS PROVIDED HEREIN. MIDEA SHALL NOT BE LIABLE FOR INCIDENTAL OR CONSEQUENTIAL DAMAGES. Some states and provinces do not allow the exclusion or limitation of incidental or consequential damages, so these limitations and exclusions may not apply to you. This warranty gives you specific legal rights, and you also may have other rights that vary from state to state or province to province.

REGISTRATION INFORMATION

PROTECT YOUR PRODUCT:

We will keep the model number and date of purchase of your new Midea product on file to help you refer to this information in the event of an insurance claim such as fire or theft.

Register online at www.midea.com/ca/support/Product-registration

OR

Please fill out and return it to the following address:

Midea America Corp. 759 Bloomfield Ave #386, West Caldwell, NJ 07006-6701

----- (detach here) -----

Name:	Model#:	Serial #:
	Card:	
Address:	Date Purchased:	Store / Dealer Name:
City:	State:	Zip:
Area Code:	Phone Number:	
Did you purchase an additional warranty:	As your Primary Residence? (Y/N)	
How did you learn about this product:		
<input type="checkbox"/> Advertising <input type="checkbox"/> In Store Demo <input type="checkbox"/> Personal Demo		

Information collected or submitted to us is only available to company internal employees for purposes of contacting you or sending you emails, based on your request for information and to company service providers for purposes of providing services relating to our communications with you. All data will not be shared with other organizations for commercial purposes.

Midea America (Canada) Corp.
 Markham, ON L3R 8V2
 Customer Service 1-866-646-4332

Made in China

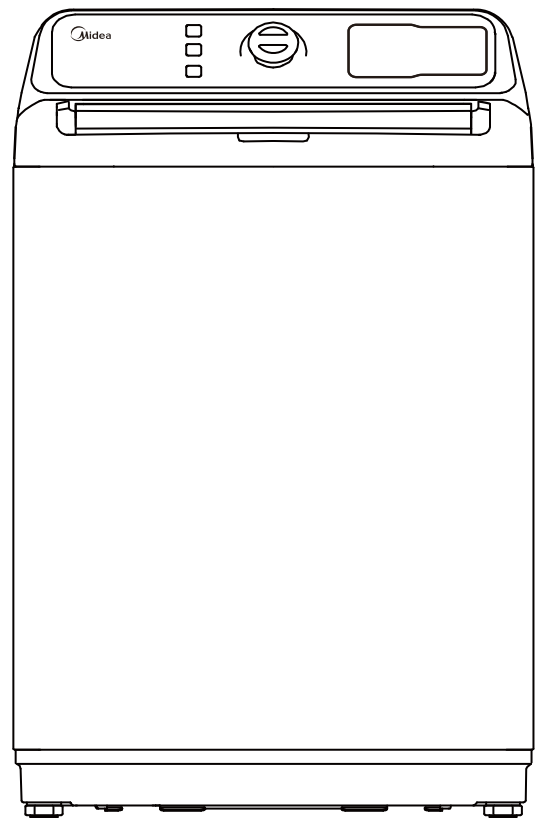


fr

Manuel du propriétaire & Instructions d'installation

Laveuse à chargement vertical

Alimentation en électricité :
120V
Fréquence : 60Hz



Avertissement :
Avant d'utiliser ce produit,
veuillez lire le présent guide avec
soin et le conserver aux fins de
consultation ultérieure. Le
concept et les spécifications
peuvent changer sans préavis à
titre d'amélioration de produit.
Consultez votre concessionnaire
ou fabricant pour obtenir des
précisions.

version A

NUMÉROS DE MODÈLE
MLV45N1BWWC
MLV45N3BWWC
www.midea.com/ca

Aux utilisateurs

MERCI et **FÉLICITATIONS** de votre achat de ce produit Midea de première qualité. Votre laveuse Midea est conçue pour des performances fiables et sans problèmes. Veuillez prendre quelques instants pour enregistrer votre nouvelle laveuse.

Enregistrez votre nouvelle laveuse sur
www.midea.com/ca/support/Product-registration

En vue d'une consultation ultérieure, consignez les numéros de modèle et de série de votre produit qui se trouvent sur le cadre intérieur de la laveuse.

Numéro de modèle _____

Numéro de série _____

INSTRUCTIONS DE SÉCURITÉ	4
CARACTÉRISTIQUES	11
Contenu du colis	11
Principaux composants	12
EXIGENCES OPÉRATIONNELLES	13
Exigences électriques	13
Exigences en matière d'eau	14
Exigences en matière de drainage	14
INSTRUCTIONS D'INSTALLATION	15
Déballage de votre laveuse	15
Choisir un emplacement	16
Outils dont vous aurez besoin	18
Raccorder les boyaux d'eau	19
Brancher le tuyau de vidange	21
Mettez votre laveuse au niveau	24
Mise sous tension	25
Exécuter un cycle d'essai	26
UTILISATION DE LA LAVEUSE	27
Panneau de commande	27
Lavage d'une brassée de lessive.....	30
Réglage du verrouillage parental	34
Options et réglages de la laveuse	35

ENTRETIEN DE LA LAVEUSE	36
Nettoyage et entretien	36
AVANT DE FAIRE APPEL AU SERVICE	38
Codes d'erreur	40
GARANTIE	42
ENREGISTREMENT DU PRODUIT	44

LIRE ET CONSERVER CES INSTRUCTIONS POUR CONSULTATION ULTÉRIEURE

Ce manuel contient des renseignements importants sur l'installation, l'utilisation et la prise en charge de votre appareil. Veuillez lire ce manuel attentivement avant l'installation et le fonctionnement de cette machine pour éviter les blessures et les dommages matériels.

Les avertissements et les consignes de sécurité importantes dans ce manuel NE COUVRENT PAS toutes les conditions et situations possibles qui peuvent survenir. Il vous incombe d'utiliser un bon sens, une attention et des soins lorsque vous installez, maintenez et utilisez votre sècheuse.



**MISE EN GARDE
RISQUE DE CHOC ÉLECTRIQUE
NE PAS OUVRIR**



INSTRUCTIONS DE SÉCURITÉ

VOTRE SÉCURITÉ ET LA SÉCURITÉ DES AUTRES SONT TRÈS IMPORTANTES

Pour éviter toute blessure à l'utilisateur ou à d'autres personnes et dommages matériels, les instructions présentées ici doivent être suivies. Une mauvaise utilisation en raison d'une omission des instructions peut causer des dommages ou des dommages, y compris la mort.

Le niveau de risque est indiqué par les indications suivantes.



AVERTISSEMENT

Cela indique que les dangers ou les pratiques dangereuses peuvent causer des blessures graves ou la mort. Pour réduire le risque d'incendie, d'explosion, de choc électrique ou de blessure personnelle lors de l'utilisation de votre laveuse, vous DEVEZ suivre ces consignes de sécurité de base.



MISE EN GARDE

Cela indique que les dangers ou les pratiques dangereuses peuvent causer des blessures corporelles mineures ou des dommages matériels.



AVERTISSEMENT

Ce symbole indique qu'il existe des instructions d'utilisation et d'entretien importantes dans l'odyature accompagnant votre laveuse.



AVERTISSEMENT

Avertissement de la proposition 65 de l'État de Californie

La California Safe Drinking Water and Toxic Enforcement Act exige que le gouverneur de la Californie publie une liste de substances reconnues par l'État de la Californie pour causer le cancer, des anomalies congénitales ou d'autres dommages à la reproduction et exige que les entreprises signalent une exposition potentielle à ces substances. Ce produit contient des produits chimiques connus dans l'État de Californie pour provoquer des cancers, des anomalies congénitales ou être autrement nuisible à la reproduction. Cet appareil peut causer une exposition à faible niveau à certaines substances énumérées, y compris le benzène, le formaldéhyde et le monoxyde de carbone.

Risques de cancer et de maladies de l'appareil reproducteur - www.P65Warnings.ca.gov.



AVERTISSEMENT

Ne pas entreposer ou utiliser de l'essence ou d'autres vapeurs et liquides inflammables dans les environs de ce ou de tout autre appareil.

INSTRUCTIONS DE SÉCURITÉ IMPORTANTES



AVERTISSEMENT

- Lisez toutes les instructions avant d'utiliser l'appareil.
- Utilisez cet appareil uniquement à l'usage prévu, tel que décrit dans le présent guide de l'utilisateur.
- Avant d'utiliser la laveuse, la laveuse doit être correctement installée comme décrit dans ce guide.
- Toujours suivre les instructions de soins du tissu fournies par le fabricant du vêtement.
- Ne lavez pas ou ne séchez pas les articles qui ont déjà été nettoyés, lavés, trempés ou tachés avec de l'essence, des solvants à nettoyage sec ou d'autres substances inflammables ou explosives qui dégagent des vapeurs qui pourraient s'enflammer ou exploser.
- Ne laissez pas les enfants jouer sur ou dans l'appareil. Une surveillance étroite des enfants est nécessaire lorsque l'appareil est utilisé près des enfants.
- Avant de retirer l'appareil du service ou de le jeter, retirez le couvercle du compartiment à laver.
- Ne pas atteindre l'appareil si le tub bouge.
- N'installez pas cet appareil et ne rangez pas cet appareil là où il sera exposé aux températures météorologiques ou au gel.
- Ne pas altérer les commandes.
- Ne réparez ou ne remplacez aucune partie de l'appareil ou ne tentez pas d'effectuer un entretien à moins qu'il ne soit spécifiquement recommandé dans les instructions d'entretien de l'utilisateur ou dans les instructions de réparation d'utilisateur publiées que vous comprenez.
- L'hydrogène est en raison d'une signification. Si le système d'eau chaude n'a pas été utilisé pendant deux semaines ou plus, avant d'utiliser une laveuse, allumez tous les robinets d'eau chaude et laissez le débit d'eau s'écouler de chaque minute pendant plusieurs minutes. Cela libérera tout gaz d'hydrogène accumulé. Le gaz est inflammable, alors ne fumez pas et n'utilisez pas de flamme nue pendant cette période.
- Gardez la zone sous votre appareil et autour de votre appareil exempt de matériaux combustibles (peluches, papier, chiffons, etc.), de l'essence, des produits chimiques et d'autres vapeurs et liquides inflammables.
- Ne placez pas d'articles exposés à l'huile de cuisson dans votre wash. Les articles contaminés par l'huile de cuisson peuvent contribuer à une réaction chimique qui pourrait causer une charge de l'incendie.
- Cette laveuse n'est pas conçue pour être utilisée en voie maritime ou pour des installations mobiles comme dans les véhicules récréatifs, les aéronefs et d'autres plateformes mobiles.
- Éteignez les robinets d'eau et débranchez la laveuse si la machine doit être laissée pendant une période prolongée, comme pendant les vacances.
- Le matériel d'emballage peut être dangereux pour les enfants. Il existe un risque de suffocation! Gardez tout l'emballage hors de la portée des enfants.
- Vérifiez toujours l'intérieur de la rondelle pour les corps étrangers avant de charger la lessive. Gardez le couvercle fermé lorsque vous n'utilisez pas.



AVERTISSEMENT

Mises en garde et précautions d'installation

- Branchez le cordon d'alimentation dans une prise murale CA de 120 V/60 Hz à 15 A ou plus. Utilisez la douille pour cette rondelle seulement. N'utilisez pas de rallonge.
 - Le partage d'une prise murale avec un autre appareil, l'utilisation d'une bande d'alimentation ou l'extension du cordon d'alimentation peut provoquer un choc électrique ou un incendie.
 - N'utilisez pas un transformateur électrique. Cela peut provoquer un choc électrique ou un incendie.
 - Assurez-vous que la tension d'alimentation, la fréquence et le courant correspondent aux spécifications du produit. Le défaut de le faire peut entraîner un choc électrique ou un incendie.
- Retirez toutes les substances étrangères, comme la poussière ou l'eau des bornes et des points de contact, à l'aide d'un chiffon sec sur une base régulière.
 - Débranchez le bouchon d'alimentation et nettoyez-le avec un chiffon sec.
 - Le défaut de le faire peut entraîner un choc électrique ou un incendie.
- Branchez le bouchon d'alimentation dans la prise murale dans la bonne direction pour que le cordon se dirige vers le plancher.
 - Si vous branchez le bouchon d'alimentation dans la prise dans la direction opposée, les fils électriques du câble peuvent être endommagés et cela peut provoquer un choc électrique ou un incendie.
- Branchez fermement la fiche d'alimentation dans la prise murale. N'utilisez pas une prise d'alimentation endommagée ou une douille murale lâche, car cela peut entraîner un choc électrique ou une lire.
- Ne pas tirer ou plier excessivement le cordon d'alimentation. Ne tournez pas le cordon d'alimentation ou ne le nouez pas.
- Ne pas accrocher le cordon d'alimentation sur un objet métallique, placer un objet lourd sur le cordon d'alimentation, insérer le cordon d'alimentation entre les objets ou pousser le cordon d'alimentation dans l'espace derrière l'appareil, car cela peut entraîner un choc électrique ou un incendie.
- Ne tirez pas le cordon d'alimentation lors du débranchement du cordon d'alimentation.
 - Débranchez la fiche d'alimentation en tenant la fiche.
 - Le défaut de le faire peut entraîner un choc électrique ou un incendie.
- Si la fiche d'alimentation ou le cordon d'alimentation sont endommagés, communiquez avec le centre de service le plus proche.
- Ne pas installer sur le tapis. Installez la rondelle sur un étage et un plancher solide qui peuvent supporter son poids. Tout manquement à cette directive peut entraîner des vibrations anormales, du bruit ou des problèmes avec le produit.
- La laveuse est lourde. Deux personnes ou plus peuvent être nécessaires pour installer et déplacer l'appareil. Tout manquement à cette directive peut entraîner des blessures corporelles ou d'autres blessures.
- Entreposer et installer la laveuse où elle ne sera pas exposée à des températures inférieures au gel ou exposées aux conditions météorologiques extérieures. Tout manquement à cette directive peut entraîner des dommages graves à la fuite.
- Positionnez l'appareil de sorte que le bouchon d'alimentation soit facilement accessible. Le défaut de le faire peut entraîner un choc électrique ou un incendie causé par un court-circuit électrique.
- Le non-respect de tous les avertissements de sécurité dans ce guide peut entraîner des dommages matériels ou des blessures aux personnes.

AVERTISSEMENT

Mises en garde et précautions d'utilisation et de maintenance

- Si l'appareil est inondé, coupez immédiatement l'alimentation et communiquez avec le centre de service le plus proche.
- Si l'appareil émet un bruit étrange, une odeur de brûlure ou de la fumée, débranchez immédiatement le bouchon d'alimentation et communiquez avec le centre de service le plus proche. Tout manquement à cette directive peut entraîner un choc électrique ou un incendie.
- En cas de fuite de gaz (comme le propane ou le gaz PL), ventiler immédiatement la zone. Ne mettez aucun appareil ou voyant allumé ou éteint.
 - N'utilisez pas un ventilateur de ventilation.
 - Une étincelle peut provoquer une explosion ou un incendie.
- Ne pas forcer le couvercle de la laveuse à ouvrir pendant que la laveuse fonctionne (lavage à haute température, séchage ou rotation).
 - L'eau qui s'écoule de la laveuse peut causer des brûlures ou faire en sorte que le plancher soit glissant. Cela peut entraîner des blessures.
 - Forcer le couvercle ouvert peut endommager le produit ou causer des blessures.
- Assurez-vous de retirer l'emballage (éponge, en polystyrène) fixé au fond de la laveuse avant de l'utiliser.
- Ne pas insérer votre main ou un objet métallique sous la laveuse. Cela peut entraîner des blessures.
- Ne pas tenter d'utiliser cet appareil s'il est endommagé, défectueux, partiellement démonté ou si des pièces manquantes ou brisées, y compris un cordon ou une fiche endommagé(e). Cela peut entraîner un choc électrique, un incendie ou la mort.
- Ne touchez pas la fiche d'alimentation avec les mains mouillées. Cela peut entraîner un choc électrique.
- Ne pas mettre l'appareil hors tension en débranchant le bouchon d'alimentation pendant que la laveuse est en marche. Brancher le bouchon d'alimentation dans la prise murale de nouveau peut provoquer une étincelle et provoquer un choc électrique ou un incendie.
- Gardez tout le matériel d'emballage hors de la portée des enfants, car les matériaux d'emballage peuvent être dangereux pour les enfants. Si un enfant place un sac sur sa tête, il peut suffoquer.
- Ne laissez pas les enfants ou les personnes souffrant d'une déficience utiliser cette laveuse sans supervision. Tout manquement à cette directive peut entraîner des décharges électriques, des brûlures ou des blessures.
- Ne tentez pas de réparer, de démonter ou de modifier l'appareil vous-même.
 - N'utilisez aucun fusible (comme le cuivre, le fil d'acier, etc.) autre que le fusible standard.
 - Si vous devez réparer ou réinstaller l'appareil, communiquez avec votre centre de service le plus proche.
 - Le non-respect de cette consigne peut entraîner un choc électrique, un incendie, des problèmes avec le produit ou des blessures.
- Si une substance étrangère telle que l'eau entre dans l'appareil dans une autre zone que le tub, débranchez la prise d'alimentation et communiquez avec le centre de service le plus proche. Tout manquement à cette directive peut entraîner un choc électrique ou un incendie.

- Si le tuyau d'alimentation en eau est lâche du robinet et qu'il est éteint, débranchez le bouchon d'alimentation.
- Ne mélangez pas de javellisant au chlore avec de l'ammoniaque ou des acides comme le vinaigre. Une mauvaise utilisation peut produire du gaz toxique, entraînant des blessures graves.
- Ne pas atteindre la laveuse pendant que les pièces sont en mouvement. Avant de charger, décharger ou ajouter des articles, appuyez sur la **Start Pause** et permettre à la baignoire de venir à un arrêt complet avant d'atteindre l'intérieur. Tout manquement à cette directive peut entraîner un choc électrique, des blessures ou un incendie.
- Ne laissez pas les enfants jouer sur ou dans la laveuse. Une surveillance étroite des enfants est nécessaire lorsque la laveuse est utilisée près des enfants. À mesure que les enfants grandissent, leur enseigner l'utilisation adéquate et sécuritaire de tous les appareils. Tout manquement à cette directive peut entraîner des blessures graves.
- Garder les produits de lessive hors de la portée des enfants. Observez tous les avertissements sur les étiquettes du produit et suivez-les. Tout manquement à cette directive peut entraîner des blessures graves.
- Débranchez cet appareil de l'alimentation avant de tenter de faire une maintenance de l'utilisateur. Le fait d'appuyer sur le **bouton d'alimentation 6** ne débranche pas cet appareil de l'alimentation. Tout manquement à cette directive peut entraîner un choc électrique, des blessures ou un incendie.
- Ne nettoyez pas l'appareil en vaporisant de l'eau directement sur celle-ci. 21. Ne pas utiliser de benzène, de diluant ou d'alcool pour nettoyer l'appareil. Cela peut entraîner une décoloration, une déformation, des dommages, un choc électrique ou un incendie.
- Débranchez le bloc d'alimentation lorsque l'appareil n'est pas utilisé pendant de longues périodes ou pendant une tempête de tonnerre ou de foudre. Tout manquement à cette directive peut entraîner un choc électrique ou un incendie.
- Gardez les mains et les corps étrangers à l'écart du couvercle et de la zone de verrouillage lorsque vous fermez le couvercle. Tout manquement à cette directive peut entraîner des blessures corporelles.
- Si la laveuse est contaminée par une substance étrangère comme le détergent, la saleté ou les déchets alimentaires, débranchez la fiche d'alimentation et nettoyez la laveuse avec un chiffon doux humide. Tout manquement à cette directive peut entraîner une décoloration, une déformation, des dommages ou une rouille.
- La partie transparente du couvercle peut être brisée par un impact fort. Prenez soin de vous servir de la laveuse. Si la partie transparente est fissurée ou cassée, elle peut causer des blessures.
- Après une panne d'alimentation en eau ou lorsque vous reconnectez le tuyau d'alimentation en eau, ouvrez lentement le robinet.
- Ouvrez le robinet lentement après une longue période de non-utilisation. La pression d'air dans le tuyau d'alimentation en eau ou le tuyau d'eau peut endommager une pièce ou une fuite d'eau.
- Si une erreur de drainage survient pendant une opération, vérifiez si un problème de drainage est survenu. Si la laveuse est utilisée lorsqu'elle est inondée en raison d'un problème de vidange, elle peut provoquer un choc électrique ou un incendie en raison d'un court-circuit électrique. Ne pas insérer votre main ou un objet métallique sous la laveuse. Cela peut entraîner des blessures.

- Insérez la lessive dans la laveuse complètement afin que la lessive ne se coince pas dans le couvercle. Si la lessive se coince dans le couvercle, elle peut endommager la lessive ou la laveuse, ou entraîner des fuites d'eau.
- S'assurer que le robinet est hors tension lorsque la rondelle n'est pas utilisée.
- S'assurer que les connecteurs de tuyau d'alimentation en eau sont bien serrés. Tout manquement à cette directive peut entraîner des dommages matériels ou des blessures.
- Ouvrez le robinet et vérifiez si le raccord du tuyau d'alimentation en eau est bien serré et qu'il n'y a pas d'eau qui fuit avant d'utiliser le produit. Si les connecteurs de tuyau d'alimentation en eau sont desserrés, cela peut entraîner des fuites d'eau.
- Ne pas se tenir sur le dessus de l'appareil ou placer des objets (comme la lessive, les bougies allumées, les cigarettes allumées, les antennes, les produits chimiques, les objets métalliques, etc.) sur l'appareil. Cela peut entraîner un choc électrique, un incendie, des problèmes avec le produit ou des blessures.
- Ne pas utiliser l'appareil avec des mains mouillées. Cela peut entraîner un choc électrique.
- Ne pulvérisez pas de matières volatiles comme l'insecticide sur la surface de l'appareil. En plus d'être nocif pour les humains, cela peut également entraîner des décharges électriques, un incendie ou des problèmes avec le produit.
- Ne placez pas d'objet qui génère un champ électromagnétique près de la rondelle. Cela peut entraîner des blessures en raison d'un dysfonctionnement.
- Puisque l'eau vidangée pendant un cycle de lavage ou de séchage à haute température est chaude, ne touchez pas à l'eau. Cela peut entraîner des brûlures ou des blessures.
- Ne lavez pas, ne faites pas tourner ou ne séchez pas les sièges, les tapis ou les vêtements à l'épreuve de l'eau.
- Ne lavez pas les tapis épais, même si la marque de la laveuse est sur l'étiquette de soins. Cela peut entraîner des blessures ou des dommages à la laveuse, aux murs, au plancher ou aux vêtements en raison de vibrations anormales.
- Ne pas utiliser la laveuse lorsque le distributeur de détergent est retiré. Cela peut entraîner des décharges électriques ou des blessures causées par des fuites d'eau.
- Ne pas insérer la main dans le distributeur de détergent après l'avoir ouverte. Cela pourrait entraîner des blessures parce que votre main pourrait être prise.
- Ne placez aucun objet non-blanchisserie comme les chaussures, les déchets alimentaires ou les animaux dans la laveuse. Cela peut causer des vibrations anormales qui peuvent endommager la rondelle et, dans le cas des animaux domestiques, causer des blessures graves ou la mort.
- Ne pas appuyer sur les boutons à l'aide d'objets tranchants comme des broches, des couteaux ou des ongles. Cela peut entraîner des décharges électriques ou des blessures.
- Ne pas laver la lessive contaminée par des huiles, des crèmes ou des lotions habituellement présentes dans les ateliers de soins de la peau ou les cliniques de massage. Cela peut entraîner la déformée du joint en caoutchouc et la fuite d'eau.
- Assurez-vous que le tuyau d'entrée d'eau est branché et que le robinet est ouvert avant de laver les vêtements.

- Ne laissez pas d'objets métalliques (épingles de sécurité, épingles à cheveux, etc.) ou de javellisant dans la baignoire pendant de longues périodes. Cela peut causer la rouille du tub.
 - Si la rouille apparaît sur la surface du tub, appliquer un agent nettoyant neutre sur la surface et utiliser une éponge pour le nettoyer. N'utilisez jamais une brosse métallique.
- N'utilisez pas de l'eau chaude provenant des appareils de refroidissement/ de refroidissement d'eau. Cela peut entraîner des problèmes avec la laveuse.
- Ne pas utiliser de savon naturel pour laver les mains dans la laveuse. S'il durcit et s'accumule à l'intérieur de la laveuse, il peut causer des problèmes avec le produit, la décoloration, la rouille ou les mauvaises odeurs.
- Si vous utilisez un filet de lavage avec cette machine (non fournie), ne lavez pas les articles de lessive comme la literie dans le filet de lavage. Cela peut entraîner des blessures en raison de vibrations anormales. Placez seulement les petits articles plus petits comme les chaussettes en dentelle et la lingerie, dans le filet de lavage.
- Ne pas utiliser de détergent en poudre durci. S'il s'accumule à l'intérieur de la laveuse, cela peut entraîner des fuites d'eau.
- Ne lavez pas les tapis ou les tapis d'ouverture. Cela peut entraîner le ponçage du sable à l'intérieur de la laveuse, ce qui entraîne des problèmes mécaniques.



AVERTISSEMENT

Mise à la terre/mise à la terre

- Cet appareil doit être correctement mis à la terre.
- Ne pas mettre l'appareil à la terre à un tuyau de gaz, un tuyau d'eau en plastique ou une ligne téléphonique.
 - Une mise à la terre inadéquate peut provoquer un choc électrique, un incendie, une explosion ou des problèmes avec le produit.
 - Ne branchez jamais le cordon d'alimentation dans une douille qui n'est pas mise à la terre correctement. Assurez-vous que la douille que vous utilisez est mise à la terre conformément aux codes locaux et nationaux.



AVERTISSEMENT

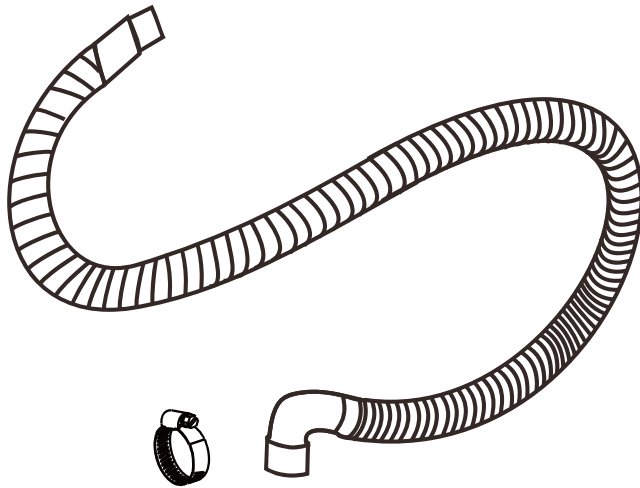
Choisir un emplacement approprié

- N'installez pas cet appareil près d'un appareil de chauffage ou d'un matériau inflammable.
- N'installez pas cet appareil dans un endroit humide, huileux ou poussiéreux, ou dans un endroit exposé à la lumière directe du soleil ou à l'eau (gouttes de pluie).
- N'installez pas cet appareil dans un endroit où le gaz pourrait fuir. Tout manquement à cette directive peut entraîner un choc électrique ou un incendie.
- Si la laveuse est déplacée vers un nouvel emplacement, faites-la vérifier et réinstaller par un technicien qualifié. Le non-respect de cet avertissement peut entraîner un choc électrique ou un incendie.
- Ne tirez pas le cordon d'alimentation ou le tuyau de sortie de la bonde pour déplacer l'appareil à l'emplacement désiré.

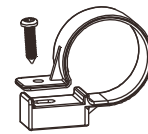
CARACTÉRISTIQUES

Contenu du colis

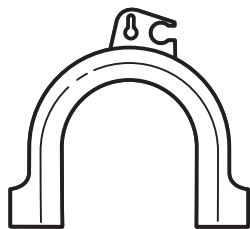
Assurez-vous que les articles suivants sont livrés avec votre laveuse:



Tuyau de vidange



Pince (x2)



Support du tuyau



Guide de l'utilisateur



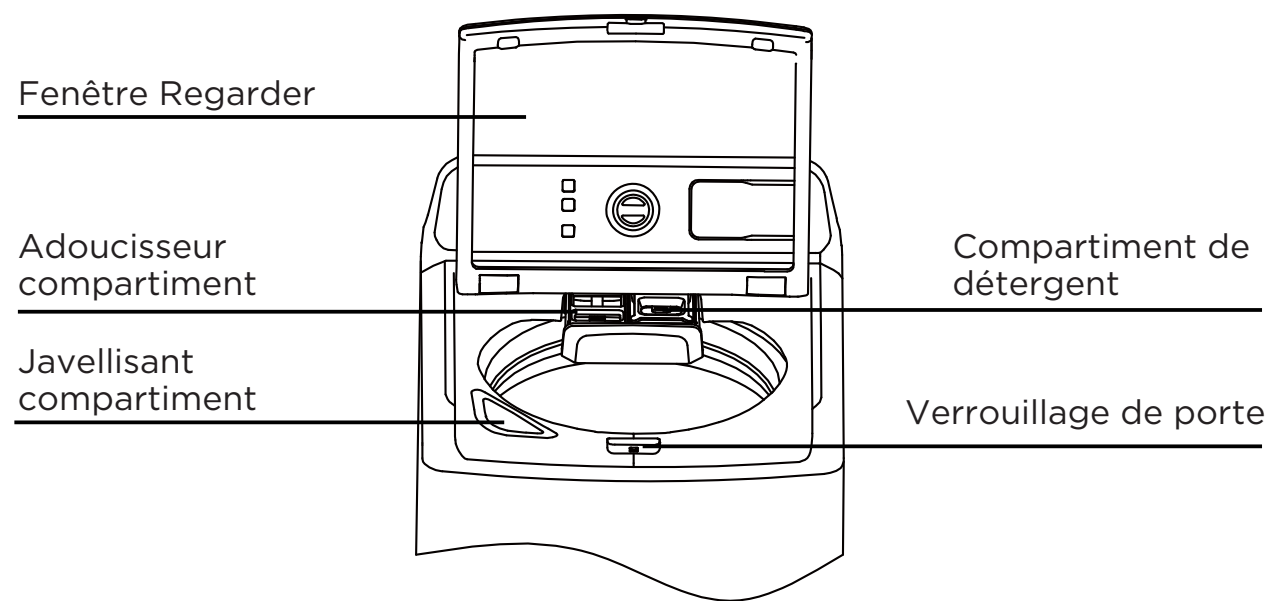
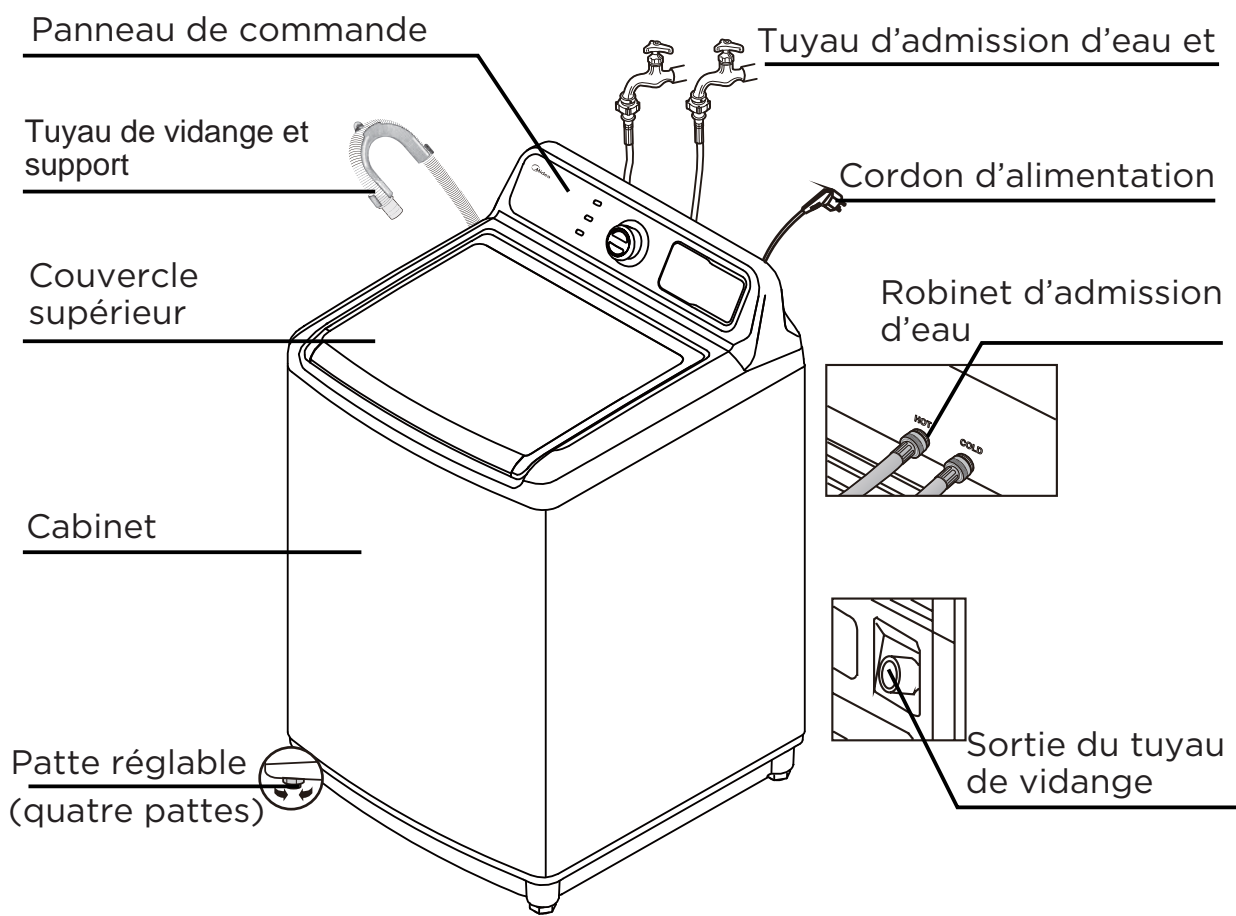
Filtre (x2)

REMARQUE:

- Utilisez les colliers pour fixer le tuyau de vidange au panneau arrière de la lave-linge.
- Utilisez les filtres pour remplacer les rondelles en caoutchouc des tuyaux pour l'eau (côtés du robinet).

Principaux composants

Instructions de sécurité
Caractéristiques
Fonctionnement
Exigences
Instructions d'installation
Utilisation de La Laveuse
Entretien de La Laveuse
Dépannage



EXIGENCES OPÉRATIONNELLES

Exigences électriques



AVERTISSEMENT

Pour réduire le risque d'incendie, de choc électrique ou de blessure aux personnes, lire les CONSIGNES DE SÉCURITÉ IMPORTANTES avant d'utiliser cet appareil.

Utilisez un fusible ou un disjoncteur de 120 volts, 60 Hz, 15 ampères. Nous recommandons un circuit individuel qui sert uniquement votre laveuse.



AVERTISSEMENT

N'utilisez jamais un cordon d'extension.

La mise à la terre de votre laveuse est requise.

Vous devez mettre votre laveuse à la terre. En cas de défaillance ou de panne, la mise à la terre réduit le risque de choc électrique en fournissant un chemin d'adhérence minimal pour le courant électrique.

Votre laveuse est équipée d'un cordon d'alimentation muni d'un bouchon à trois broches. Pour une utilisation dans une prise correctement installée et mise à la terre.

La prise doit être correctement installée et mise à la terre conformément à tous les codes et ordonnances locaux.



AVERTISSEMENT

- Vous êtes responsable de fournir des services électriques adéquats pour votre laveuse.
- Un conducteur de mise à la terre d'équipement connecté incorrectement peut augmenter le risque d'écrasement électrique. Vérifiez auprès d'un électricien qualifié ou d'un serviteur si vous n'êtes pas certain de la mise à la terre adéquate de votre laveuse.
- Ne modifiez pas le cordon d'alimentation fourni avec votre laveuse. Si la prise ne s'adapte pas à la prise, faites installer le bon type de prise par un électricien qualifié.
- Pour éviter tout risque inutile d'incendie, de choc électrique ou de blessure personnelle, tous les fils et la mise à la terre doivent être effectués conformément au Code national de l'électricité ANSI/FIR, à la dernière révision et aux règlements locaux de la norme ANSI/FIR No 70.
- Ne jamais raccorder le fil de mise à la terre aux conduites de plomberie en plastique, aux conduites de gaz ou aux tuyaux d'eau chaude.

Exigences en matière d'eau

Pour remplir votre laveuse dans la bonne période, la pression d'eau doit être comprise entre 14 et 116 psi (100 et 800 Kpa).

Si la pression d'eau est inférieure à 14 lb/po² (100 Kpa) :

- La vanne d'eau peut échouer ou ne pas se fermer complètement .
- Le temps nécessaire pour remplir votre laveuse peut être plus long que le temps que les commandes de votre laveuse permettent. Votre laveuse s'éteint et signalera une erreur. Une limite de temps est intégrée aux contrôles pour empêcher les inondations dans votre maison si un tuyau devient lâche.
- Les flexibles d'entrée d'eau doivent être achetés séparément. Vous pouvez acheter des tuyaux d'entrée dans différentes longueurs jusqu'à 240 cm (8 pi).

Pour éviter les dommages causés par l'eau :

- Assurez-vous que les robinets d'eau sont facilement accessibles.
- Fermez les robinets lorsque vous n'utilisez pas votre laveuse.
- Vérifiez régulièrement pour s'assurer que l'eau ne fuit pas des raccords de tuyau d'eau.

Exigences en matière de drainage

La hauteur recommandée pour le tuyau d'évacuation est de 122 cm (48 po).

Le tuyau de vidange doit être acheminé à travers le tuyau de vidange du tuyau d'évacuation jusqu'au tuyau de sécurité.

Le tuyau de la colonne montante doit être suffisamment grand pour accepter le diamètre extérieur du tuyau de vidange.

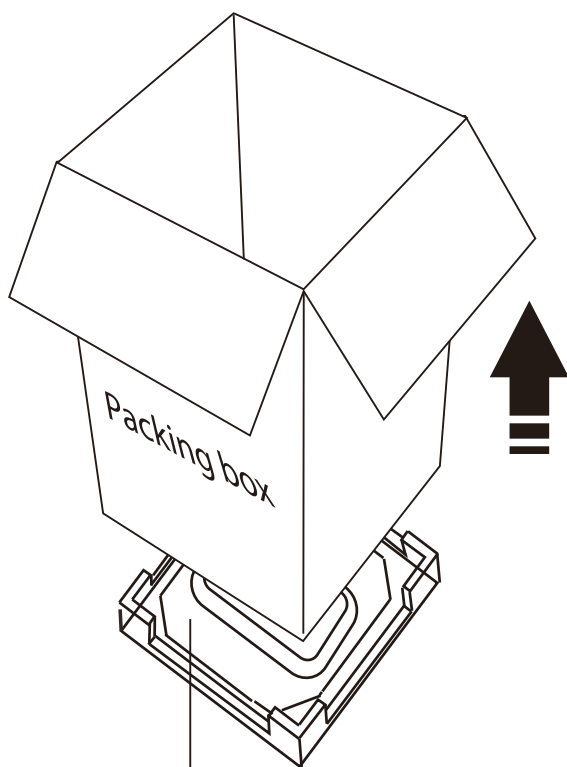
INSTRUCTIONS D'INSTALLATION

Déballage de votre laveuse

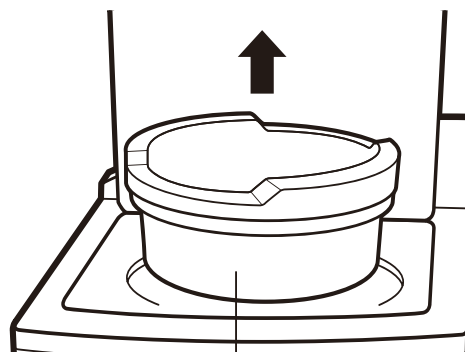
AVERTISSEMENT

- Les matériaux d'emballage peuvent être dangereux pour les enfants. Conservez tous les matériaux d'emballage (sacs en plastique, polystyrène, etc.) hors de la portée des enfants.
- Ne faites pas fonctionner votre laveuse sur le coussin de la base en mousse. Cela entraînera des vibrations graves, ce qui pourrait causer des dommages matériels ou entraîner des blessures physiques.

Retirez la boîte d'emballage et soulevez la rondelle de la base en mousse. Ouvrez le couvercle de la laveuse pour enlever tous les accessoires, y compris la mousse protectrice.



Le coussin mousse de base



Mousse de protection

Choisir un emplacement

AVERTISSEMENT

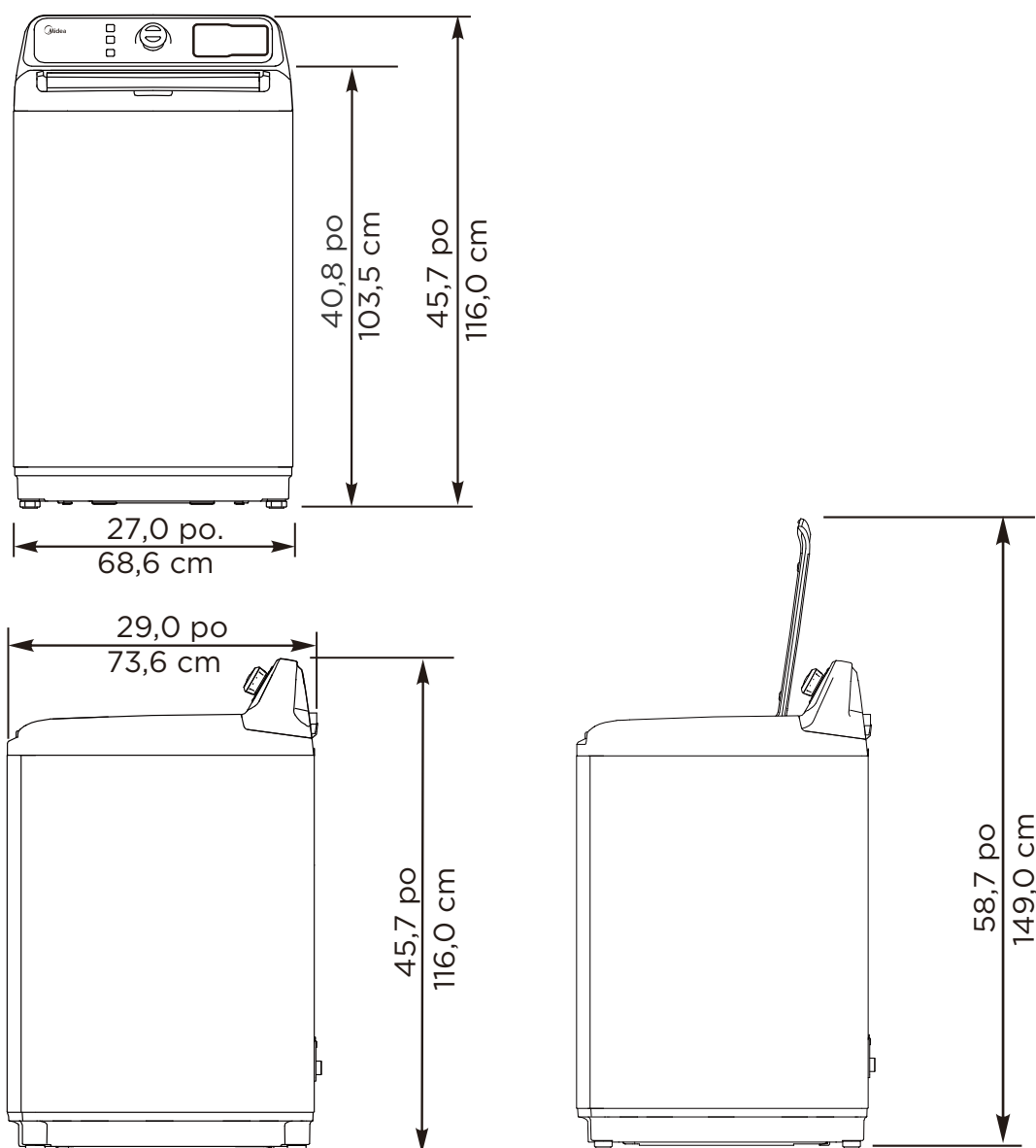
- N'installez pas votre laveuse dans des endroits où l'eau pourrait geler, car votre laveuse conserve toujours une certaine quantité d'eau dans sa valve d'eau, sa pompe et ses tuyaux. L'eau gelée peut endommager les courroies, la pompe, les tuyaux et d'autres composants.
- Ne jamais installer sur une plateforme ou une structure soutenue.

Pour obtenir une meilleure performance, vous devez installer votre laveuse sur un plancher solide et niveau.

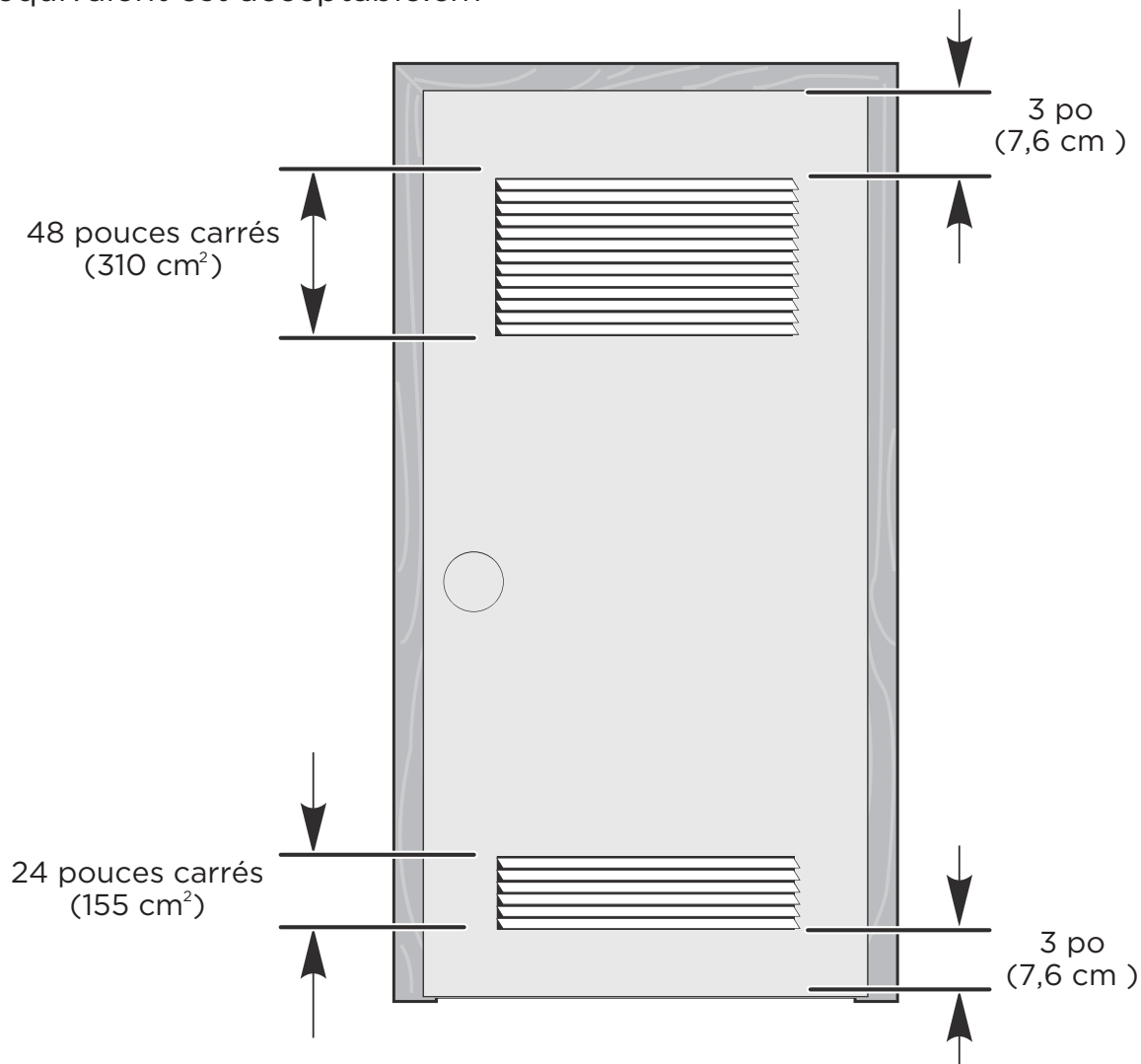
Il est possible que les planchers en bois doivent être renforcés pour minimiser les vibrations ou les situations de charge déséquilibrées.

Les surfaces de tapis et de tuiles souples peuvent contribuer à une vibration excessive, ce qui peut entraîner la rotation légèrement de votre laveuse pendant le cycle d'essorage.

Dimensions de la laveuse et mesures d'installation



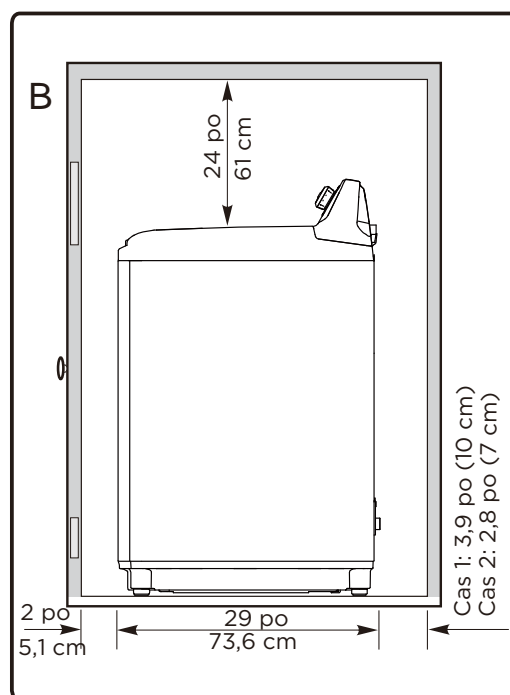
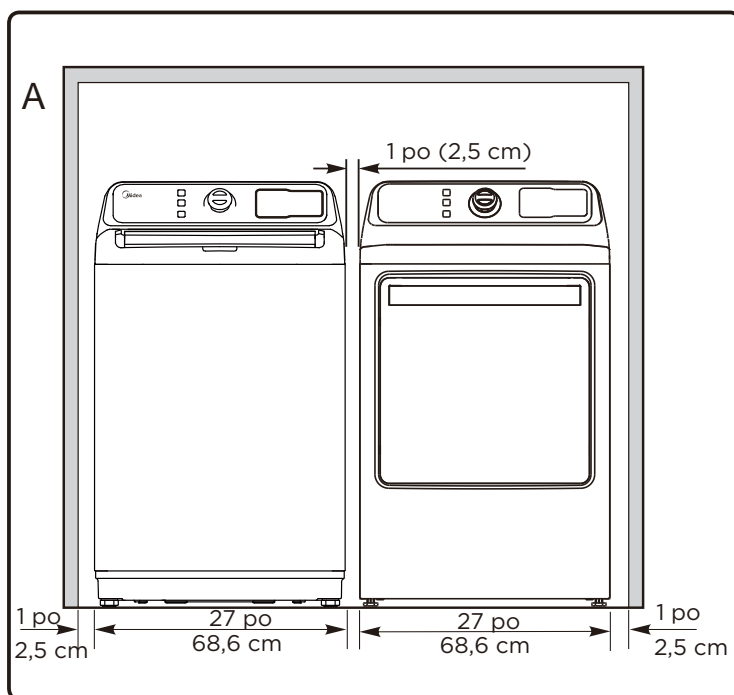
Si vous installez votre laveuse dans une alcôve ou une armoire, l'avant de la garde-robe doit comporter deux ouvertures d'air non obstruées pour une superficie totale combinée de 465 cm² (72 po²) et une distance minimale de 7,6 mm (3 po) au haut et au bas. Une porte à lattes avec espace d'espace équivalent est acceptable.cm



Installation dans une alcôve ou une armoire

Les dégagements minimums entre votre laveuse et les murs adjacents ou autres surfaces sont les suivants :

- **Chaque côté:** 1 po (2,5 cm)
- **Arrière:** 6 po (15,2 cm)
- **Avant de la cuvette:** 2 po (5,1 cm)
- **Haut:** 24 po (61 cm)
- **Écart entre l'extrémité de la valve d'eau et le mur:**
 - **Cas 1:** si vous branchez le tuyau d'alimentation **après que** vous installez votre laveuse : Plus de 10 cm (3,9 po)
 - **Cas 2:** si vous branchez le tuyau d'alimentation **avant que** vous installez votre laveuse : Plus de 10 cm (3,9 po)



A. Zone encadrée

B. Vue latérale - placard ou zone confus



AVERTISSEMENT

Avant d'installer votre laveuse, assurez-vous que l'emplacement :

- Est une surface dure et plane sans tapis ou revêtement de sol souple qui peut obstruer la ventilation.
- S'éloigne de la lumière directe du soleil.
- Une ventilation adéquate.
- N'est pas exposé à des températures de congélation (32° Pour 0°C).
- S'éloigne des sources de chaleur comme le pétrole ou le gaz.
- A suffisamment d'espace pour que la laveuse ne repose pas sur son cordon d'alimentation.

Installation de votre laveuse



Pinces



Phillips
tournevis



Niveau



Tête plate
tournevis



Clé mécanique

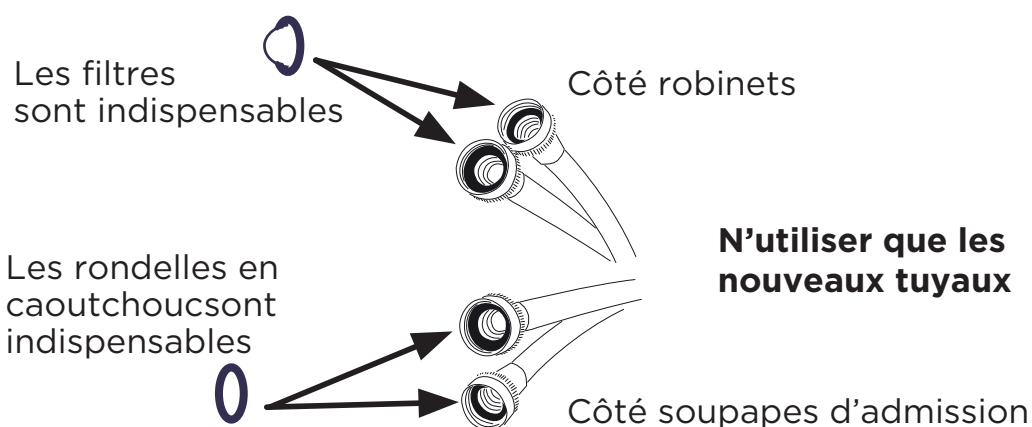
Raccorder les boyaux d'eau

REMARQUE: Les tuyaux d'alimentation en eau ne sont pas fournis avec votre laveuse et doivent être achetés séparément.

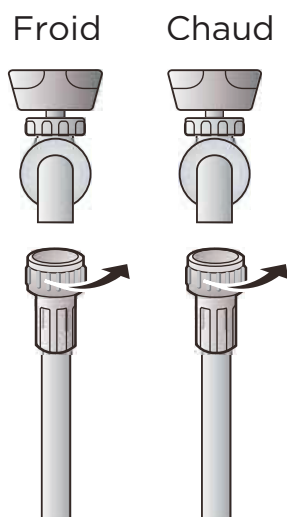
Mise en garde

- Utilisez de nouveaux tuyaux d'alimentation en eau. L'utilisation d'anciens tuyaux peut entraîner des fuites ou un débordement qui peuvent endommager votre propriété.
- Ne pas raccorder plusieurs tuyaux d'alimentation en eau pour augmenter la longueur du tuyau.. Les tuyaux connectés de cette façon peuvent fuir et causer un choc électrique. Si un tuyau est trop court, remplacer le tuyau par une plus longue et plus longue - tuyau de prédétection.

1. Assurez-vous qu'il y a des rondelles en caoutchouc à l'intérieur des raccords aux deux extrémités de chaque nouveau tuyau d'eau. Retirez les rondelles en caoutchouc du côté du robinet et remplacez-les par des filtres. L'installation des tuyaux d'alimentation en eau sans rondelles en caoutchouc peut causer des fuites d'eau.



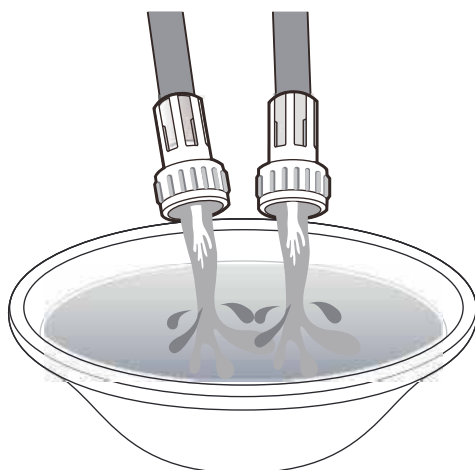
2. Serrez les raccords du tuyau et du robinet à la main jusqu'à ce qu'ils soient bien serrés, puis serrez-les à deux tiers d'un tour avec des pinces ou une clé. Tirez les tuyaux d'alimentation en eau vers le bas pour vous assurer qu'ils sont bien connectés.



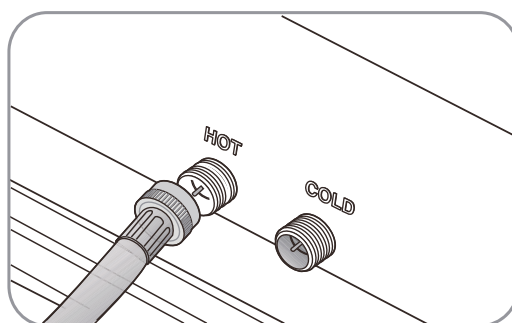
Mise en garde

Ne serrez pas trop les raccords ou appliquez du ruban ou du scellant aux robinets ou aux prises d'alimentation en eau. Cela peut endommager les raccords.

- Placer les extrémités non branchées des flexibles dans un seau et mettre les robinets connectés aux tuyaux d'alimentation en eau pendant 10 ou 15 secondes pour éliminer toute substance étrangère. Fermez les robinets.



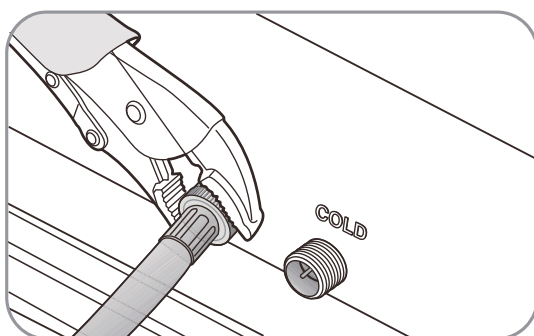
- Raccorder les extrémités des tuyaux d'alimentation en eau aux raccords d'admission d'eau au haut du wash. S'assurer que les rondelles en caoutchouc sont en place. Le tuyau d'alimentation en eau raccordé au robinet chaud doit être raccordé à l'admission d'eau chaude et le tuyau d'eau raccordé au robinet froid doit être raccordé à l'admission d'eau froide.



REMARQUE: Si vous ne souhaitez pas utiliser le tuyau d'alimentation en eau chaude, insérez un bouchon d'admission d'eau dans le trou d'admission d'alimentation en eau chaude. Dans ce cas, vous devez sélectionner le **Touchez Froid** option pour la température de l'eau.

REMARQUE: Aucun bouchon d'admission n'est fourni avec votre laveuse. Il doit être acheté séparément.

5. Serrez les raccords à la main jusqu'à ce qu'ils soient bien serrés, puis serrez-les à un tour supplémentaire de deux tiers d'un tour avec une clé.



Mise en garde

- Ne serrez pas trop les raccords ou appliquez du ruban ou du scellant aux robinets ou aux prises d'alimentation en eau. Cela peut endommager les raccords.
- S'assurer que les tuyaux d'alimentation en eau ne sont pas tordus ou pliés. Un tuyau tordu ou torsadé peut fuir et provoquer un choc électrique en raison de la fuite d'eau. Pour assurer la bonne utilisation de l'eau, connectez les robinets d'eau chaude et d'eau froide. Si l'un ou l'autre n'est pas connecté, un code d'erreur pourrait se produire.

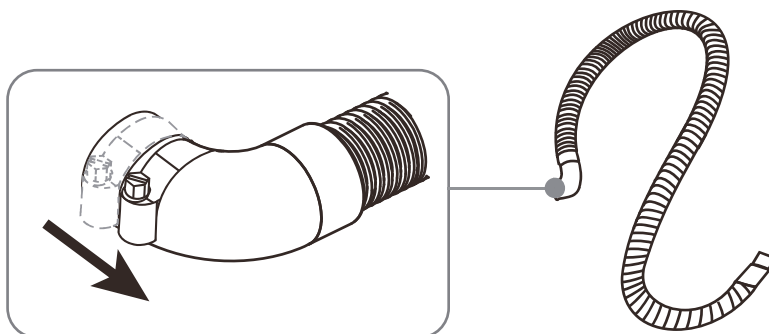
6. Ouvrez les alimentations d'eau chaude et froide et vérifiez toutes les connexions d'admission d'eau et les robinets pour les fuites d'eau.

Brancher le tuyau de vidange

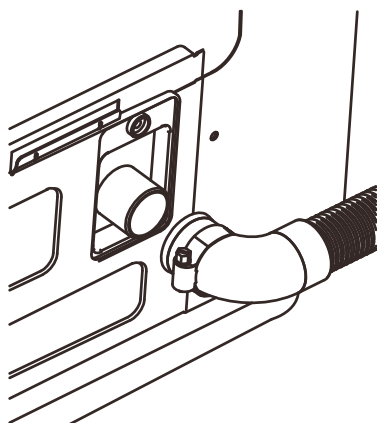
Mise en garde

- Le fait de ne pas glisser complètement le tuyau de vidange sur le tuyau de vidange de la laveuse peut entraîner des fuites d'eau.
- Le fait de ne pas déplacer la pince ou le cerceau sur le tuyau de purge de la laveuse entraînera une fuite d'eau.

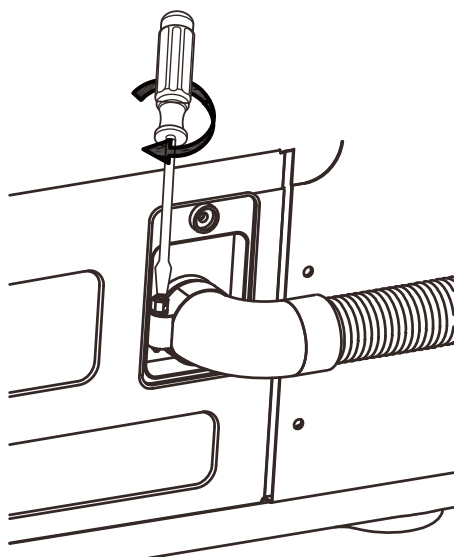
1. Trouvez l'extrémité du tuyau de vidange qui a la pince, puis faites glisser la pince à l'écart de l'extrémité du tuyau.



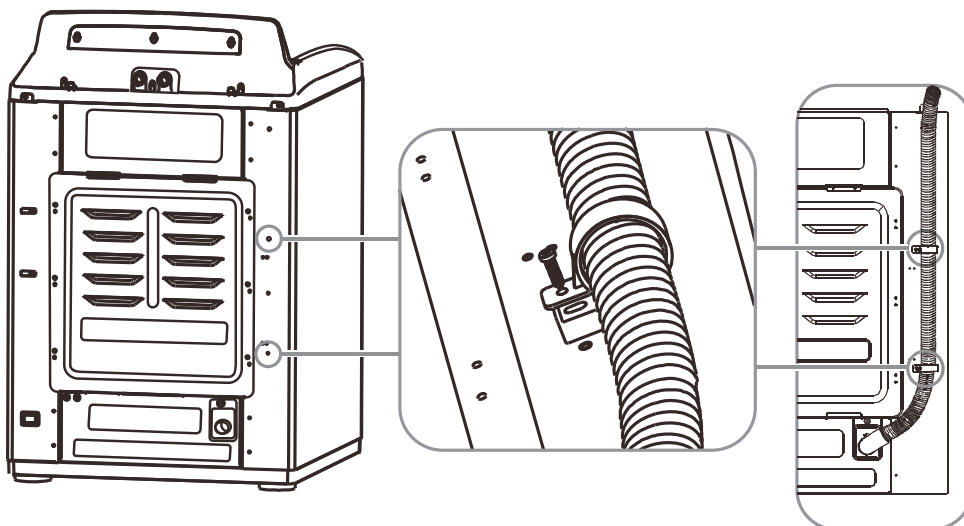
2. Insérez le tuyau de vidange avec la pince sur le tuyau de purge de la laveuse. S'assurer que le tuyau de vidange couvre complètement l'extrémité du tuyau de vidange.



3. Déplacer la pince vers la sortie du tuyau de vidange. Serrer la pince à l'aide d'un tournevis à lame plate.



4. Fixez le tuyau de vidange au cadre de la laveuse aux endroits indiqués avec les colliers de serrage (2) fournis à l'aide d'un tournevis Phillips.

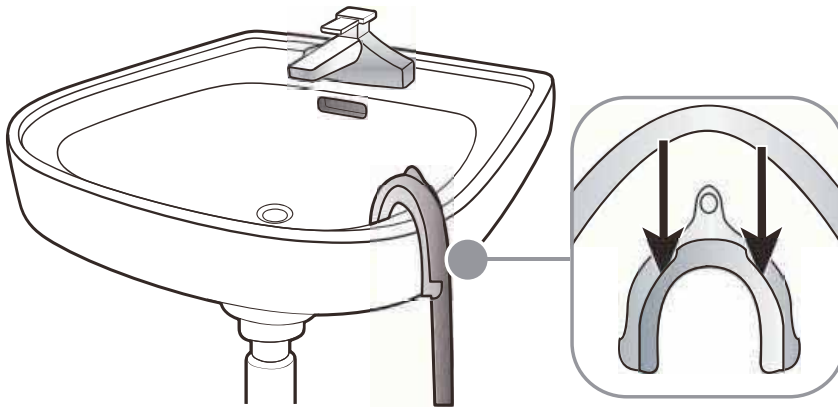


5. Positionner l'autre extrémité du tuyau de vidange (l'extrémité desserrée) de l'une des façons suivantes :

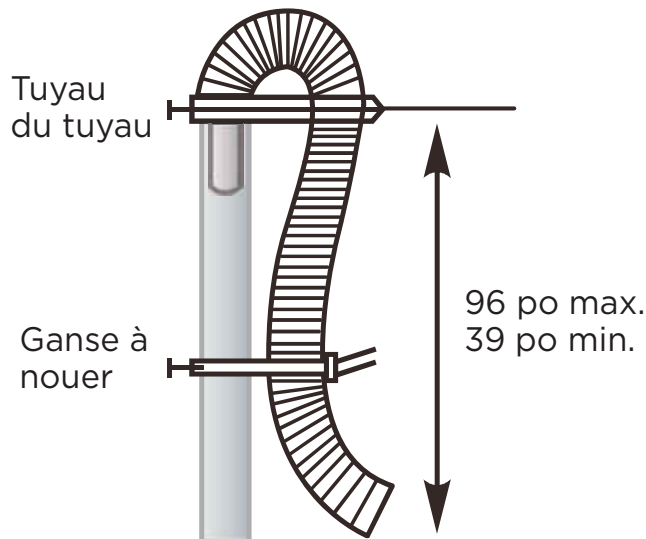
⚡ Mise en garde

Assurez-vous que la connexion entre le tuyau de vidange et le bassin de lavage, le tuyau de sécurité ou le robinet de lavage n'est pas étanche à l'air.

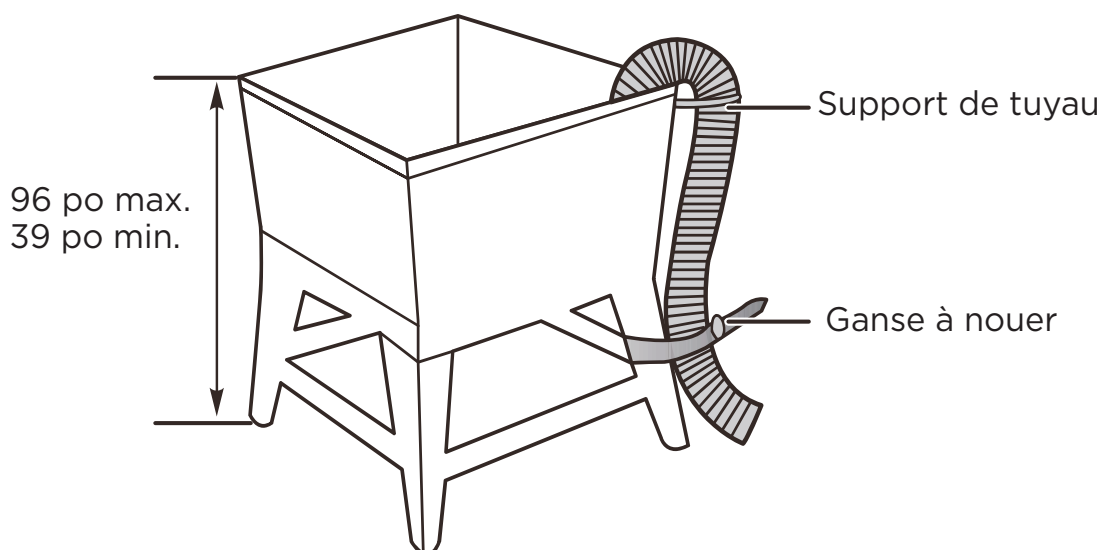
- **Au-dessus du bord d'un bassin de lavage** - Fixez le guide sur le côté du mur du lavabo avec un crochet, collez-le ou attachez-le avec un morceau de cordon pour empêcher le tuyau de vidange de bouger.



- **Dans un tuyau** - Le tuyau de sécurité doit être d'au moins 99 cm (39 po) et ne pas dépasser 244 cm (96 po).



- **Dans un bain de buanderie** - Le robinet de lavage doit être d'au moins 39 po . (99 cm) et pas plus de 244 cm (96 po) maximum.



Mettez votre laveuse au niveau

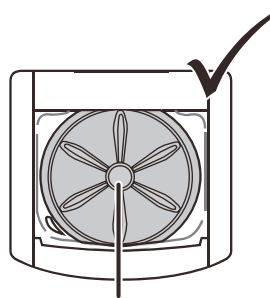
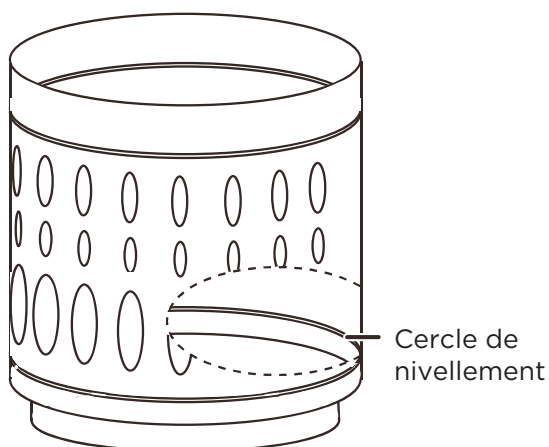
Mise en garde

N'utilisez pas votre laveuse sans le niveler. Si votre laveuse n'est pas de niveau, elle peut :

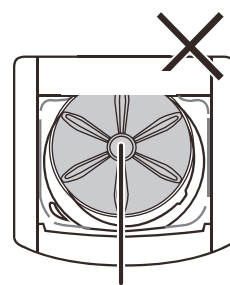
- Vibration excessive qui peut entraîner la défaillance de votre laveuse.
 - Faire des noi excessifs.
 - Indiquez les codes d'erreur E3, E4 ou ES lorsque la laveuse est en marche.
- Étendez les pieds de nivelage uniquement si nécessaire. Si les pieds sont trop longs, votre laveuse peut vibrer.

Déterminer si la laveuse est de niveau en vérifiant la position du tub ou en utilisant un niveau.

1. Faites glisser la rondelle dans la positielle.
2. Ouvrir le couvercle de la rondelle, puis verser l'eau dans le tub au cercle de nivellement. Si la laveuse est au niveau, l'eau se reclassera complètement sur le cercle de nivellement. Si la laveuse n'est pas de niveau, l'eau ne fera qu'une partie du cercle de nivellement.

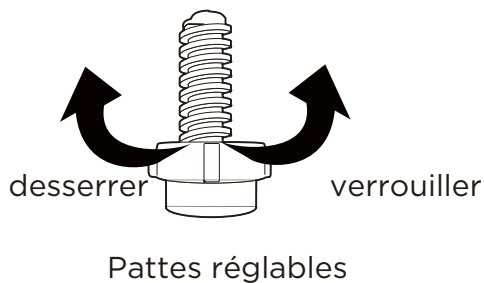
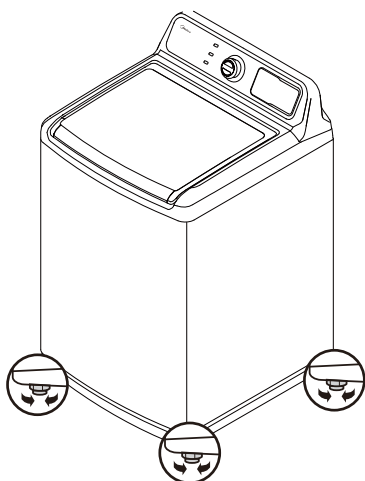


La laveuse est de niveau - le l'eau touche le cercle de nivellement tout autour.



Rondelle non niveau - l'eau ne touche pas le cercle de nivellement à tout le chemin.

3. Si votre laveuse n'est pas de niveau, inclinez soigneusement votre laveuse suffisamment pour ajuster les pieds de nivellement sur le devant de votre laveuse. Étendez les pieds seulement autant que nécessaire. Si les pieds sont trop longs, votre laveuse peut vibrer.



Mise sous tension

Branchez le cordon d'alimentation dans une prise électrique à 3 broches, à 3 broches, de 120 volts, approuvée par un fusible de 15 ampères ou un disjoncteur comparable. Votre laveuse est mise à la terre à travers la troisième broche du cordon d'alimentation.

Exécuter un cycle d'essai

Exécutez un cycle d'essai pour vous assurer que votre laveuse est correctement installée.

1. Charger environ 2,7 kg (6 livres) de linge dans le tub.
2. Appuyez sur la touche **Power** pour allumer votre laveuse.
3. Tournez le sélecteur de cycle pour sélectionner le **Rinse & Spin** cycle.
4. Appuyez sur la touche **Start Pause** pour commencer le cycle d'essai. Votre laveuse ne doit pas se déplacer ou vibrer excessivement lorsque l'eau remplit le tub ou lorsque vous lavez ou spinez. La laveuse devrait se décharger bien pendant le cycle d'essorage.



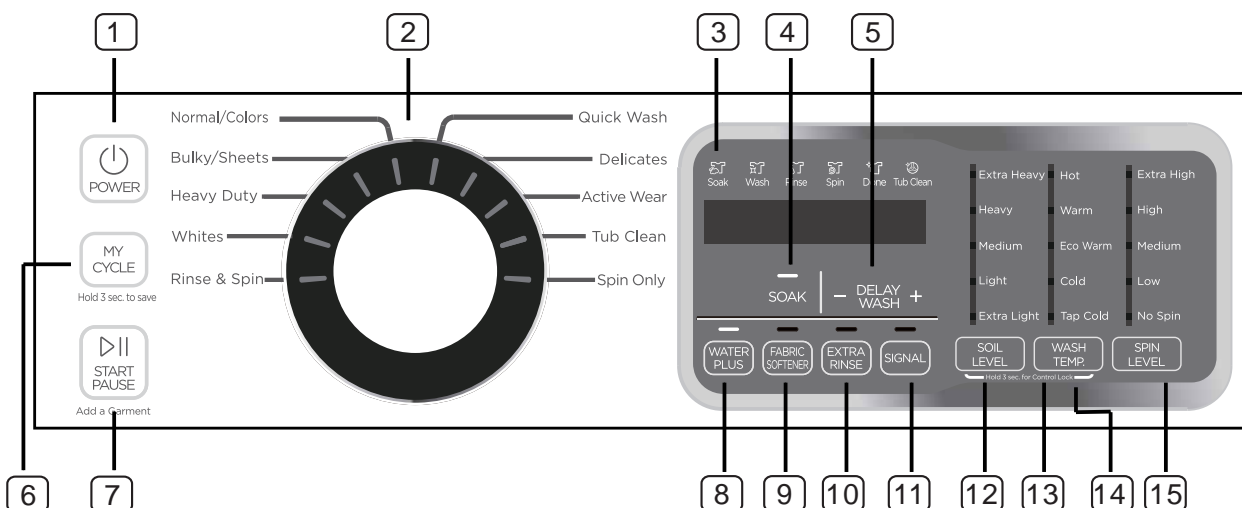
Mise en garde

- Si vous détectez des fuites d'eau pendant que la laveuse est remplie ou virée, vérifiez les connexions d'eau. Voir **Raccorder les boyaux d'eau** page 19 or **Brancher le tuyau de vidange** page 21.
- Si la laveuse est rocheux et/ou vibre excessivement, de nouveau. Voir **Mettez votre laveuse au niveau** page 24.

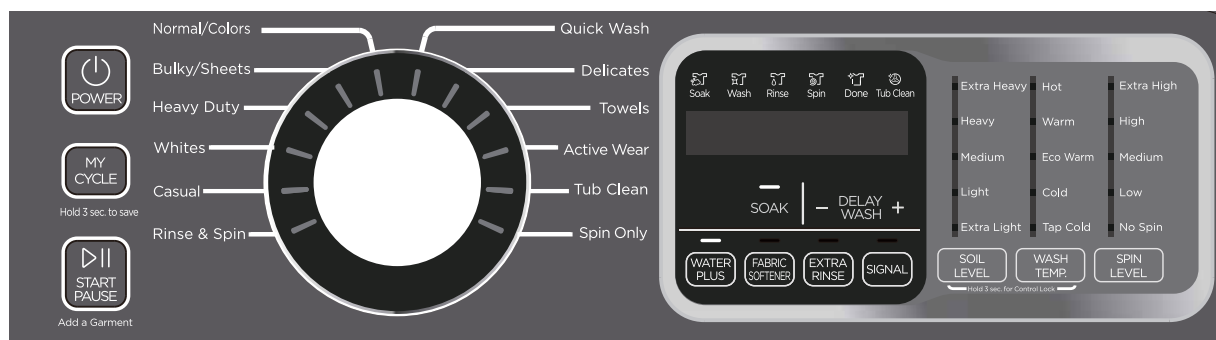
UTILISATION DE LA LAVEUSE

Panneau de commande

MLV45N1BWWC



MLV45N3BWWC



1 Bouton de mise en marche

Appuyez sur pour allumer votre laveuse. Appuyez de nouveau pour éteindre votre laveuse. Si vous laissez votre laveuse sous tension et ne appuyez pas sur **START PAUSE** dans les 10 minutes, votre laveuse s'éteint automatiquement

2 Sélecteur de cycle

Tournez pour sélectionner un cycle de lavage. Le cycle que vous sélectionnez détermine le schéma de lavage du cycle. Pour plus d'information, consultez **Options et réglages de la laveuse** page 35.

3 Affichage numérique

L'écran initial est le temps total pour le cycle sélectionné.

Pendant que votre laveuse est en marche, l'écran affiche le processus du cycle et le temps restant au cycle.

REMARQUE: L'heure indiquée est une estimation basée sur des conditions normales d'exploitation. Les facteurs externes (comme la taille de la charge, la température de la pièce, la température de l'eau entrante et la pression d'eau) peuvent avoir une incidence sur le temps réel.

1 Si vous réglez un délai pour le début du cycle, l'affichage indique l'heure à laquelle le cycle commencera.

4 SOAK

Appuyez sur pour sélectionner le **SOAK** Appuyez de nouveau pour annuler. Sélectionnez cette option pour les articles très sales qui doivent tremper pour éliminer les taches et les saletés abondantes.

La trempage se produit après l'ajout des bains de bain et du détergent, mais avant le processus de lavage. L'agitateur pivotera plusieurs fois pendant le processus de trempage.

5 DELAY

Appuyez sur pour sélectionner une heure où vous voulez que le cycle commence. Vous pouvez sélectionner l'heure jusqu'à 24 heures à l'avance en incréments d'une heure. L'écran affiche l'heure à laquelle le cycle commencera. Pour plus d'information, consultez **(Facultatif) Définissez une heure de début retardée** page 32.

6 MY CYCLE

Maintenez enfoncée pendant 3 secondes pour vous souvenir de votre cycle de lavage préféré. Appuyez une fois pour charger vos paramètres de cycle préférés.

7 START PAUSE

Appuyez une fois pour commencer le cycle de lavage. Appuyez de nouveau pour interrompre le cycle. Si vous interrompez le cycle, vous pouvez ajouter ou supprimer des éléments, mais vous ne pouvez pas modifier les paramètres. Appuyez de nouveau pour redémarrer le cycle.

8 WATER PLUS

Appuyez une fois pour augmenter le niveau d'eau. Appuyez de nouveau pour annuler cette fonction. Si le niveau d'eau est déjà réglé à la valeur la plus élevée, le niveau ne changera pas.

9 FABRIC SOFTENER

Ajoutez un assouplissant liquide dans le compartiment assouplissant du tissu, puis appuyez sur ce bouton. L'assouplissant textile est ajouté au cycle au bon moment.

10 EXTRA RINSE

Appuyer pour ajouter un rinçage supplémentaire au cycle de lavage. Appuyez de nouveau pour annuler.

11 SIGNAL

La fonction de désactivation du son peut être sélectionnée pendant tous les cours.

12 SOIL LEVEL

Appuyer pour sélectionner le niveau de sol. Différents niveaux de sol se produisent dans différents temps de lavage et dans les paramètres du cycle de lavage. Pour plus d'informations, voir **Options et paramètres de la laveuse** à la page 35.

13 Control lock

Appuyez sur pour sélectionner le **SOIL LEVEL** et **Temp.** à la même heure pendant 3 secondes pour activer la fonction de verrouillage parental. Appuyez de nouveau sur ces boutons pour désactiver la fonction. Lorsque la fonction de verrouillage de l'enfant est activée, le seul bouton qui fonctionne est le bouton **POWER** and le **SOIL LEVEL** et **Temp.** boutons que vous utilisez pour désactiver le verrouillage parental. the child lock.

14 WASH TEMP.

Appuyez sur pour sélectionner la température de l'eau de lavage. La température de l'eau de rinçage est toujours froide.

15 SPIN LEVEL

Appuyez sur pour sélectionner le niveau d'essorage pour augmenter la durée de rotation ou réduire la durée de rotation. Cette fonction ne peut pas être sélectionnée avec les cycles **Normal / Colors** et **Tub Clean**.

Lavage d'une brassée de lessive



AVERTISSEMENT

Pour réduire le risque d'incendie, de choc électrique ou de blessure aux personnes, lire les **CONSIGNES DE SÉCURITÉ** avant d'utiliser cet appareil.

Sélection d'un détergent

Votre laveuse est conçue pour utiliser des détergents à haute efficacité (HE).

- Pour obtenir les meilleurs résultats de nettoyage, utilisez un détergent HE. Nous vous recommandons de ne pas utiliser de détergent ordinaire. Les détergents à haute efficacité contiennent des supprimeurs qui réduisent ou éliminent les suds. Lorsque moins de mousse est produite, la charge augmente plus l'efficacité et le nettoyage est maximisé.
- Réduire la quantité de détergent peut réduire la qualité du nettoyage. Assurez-vous de :
 - Prétraitez les taches
 - Trier soigneusement par couleur et par niveau de sol
 - Éviter le surchargement

1. Transformez votre laveuse

Appuyez sur **Power** pour allumer votre laveuse. Les réglages initiaux de votre laveuse sont les suivants :

- **Normal** sur le sélecteur de cycle avec--affiché sur l'écran numérique.
- **Medium** pour **Soil Level**.
- **Warm** pour **Wash Temp**.

2. Chargez votre laveuse



Mise en garde

Avant de charger votre lessive, assurez-vous de retirer les pièces, les clés et les autres objets durs et fermez les fermetures éclair. Ces articles peuvent endommager les vêtements.

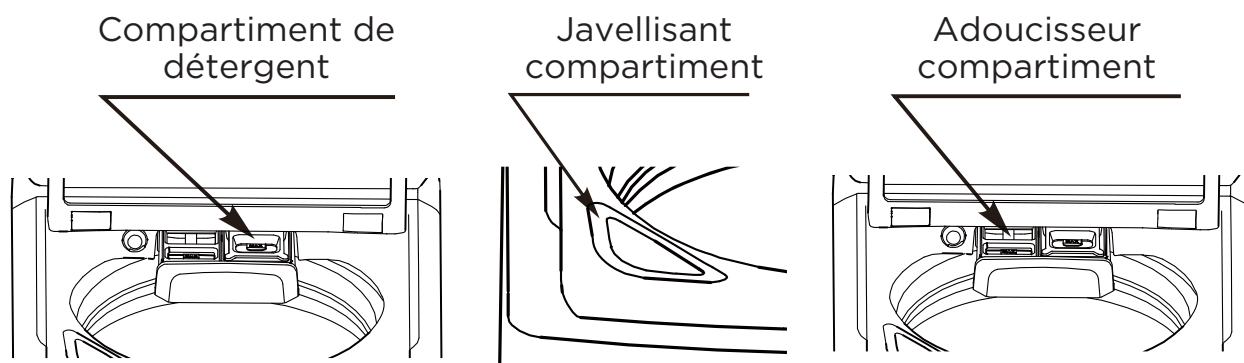
- Trier la lessive par type de tissu, niveau de sol, couleur et taille de charge.
- Remplir la baignoire avec des vêtements secs et dépliés. Charger le tub au plus tard à 3/4.

REMARQUE:

- O Le surchargement peut réduire l'efficacité de lavage, provoquer un usure excessive et peut causer la formation de plis ou de plissements de la charge.
- Lavez les articles délicats comme les soutiens-gorge, les chaussons et les autres lingerie sur le **Delicates** avec des articles légers similaires.

- Lorsque vous lavez gros articles volumineux (comme des tapis ou des oreillers) ou quelques petits articles (comme des jouets farcis ou un ou deux chandails) qui ne remplissent pas complètement la baignoire, ajoutez quelques serviettes pour améliorer la performance de rotation.
- Utilisez toujours le cycle **Bulky** pour les articles volumineux.
- Lorsque vous lavez des charges très sales, ne surchargez pas votre laveuse pour vous assurer de bons résultats de nettoyage.

3. Ajouter du détergent et des additifs aux compartiments



Chargement du compartiment liquide ou de la poudre de détergent

- Versez la quantité recommandée de détergent à lessive directement dans le compartiment avant de démarrer votre laveuse.
- Si vous utilisez de l'eau de Javel sans danger pour la couleur, ajoutez-le avec le détergent au compartiment de détergent.

REMARQUE:

- Lors de l'ajout d'un javellisant sans danger pour la couleur avec du détergent, les deux produits de lessive doivent être sous la même forme (liquide).
- Si aucun compartiment de détergent n'est utilisé, vous devez ajouter le détergent dans le bain.

Chargement du compartiment de javellisant (javellisant liquide seulement)

- Ajouter chlore ine pas javelliser dans le compartiment de javellisant. Ne remplissez pas trop le compartiment.
- Il n'y a pas d'entrée d'eau dans le distributeur d'eau de Javel, donc l'eau de Javel se chargera directement dans la baignoire lorsque vous l'versez.



Mise en garde

- Évitez de faire des éclaboussures ou de trop remplir le compartiment.
- Ne jamais verser de javellisant liquide non dilué directement sur la charge ou dans le tub. Cela peut endommager les tissus en affaiblissant les fibres ou en décollant la couleur.

REMARQUE: Ne pas verser de javellisant dans le compartiment de javellisant. Ajoutez plutôt le produit au compartiment de détergent.

Chargement du compartiment d'assouplisseur de tissu

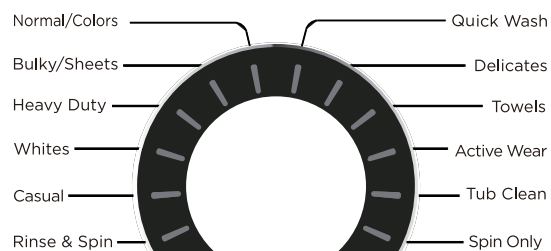
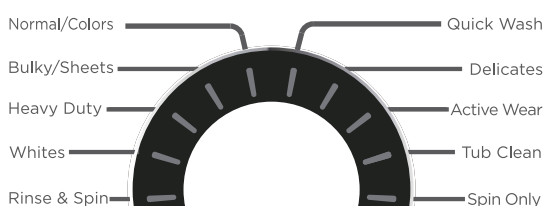
- Versez la quantité recommandée d'assouplisseur de tissu liquide dans le compartiment d'adoucisseur. Le distributeur libère automatiquement l'assouplissant liquide au moment approprié pendant le cycle de rinçage.

Mise en garde

- Utiliser le compartiment d'adoucisseur **UNIQUEMENT** pour les assouplissants textiles liquides.
- N'utilisez pas la boule **Downy Ball®** dans le compartiment d'adoucisseur textile.
- N'utilisez pas d'assouplissant liquide trop collant car il ne peut pas mélanger suffisamment l'eau.
- Assurez-vous de sélectionner l'option Assouplissant textile lors de l'utilisation d'assouplisseur de tissu pour qu'il soit libéré pendant la partie rinçage du cycle.

4. Sélectionnez le cycle approprié et les options de la charge.

- Tournez le sélecteur de cycle pour sélectionner un cycle de lavage. Pour obtenir des renseignements sur les cycles de lavage, consultez **Options de lave-glace et settings** page 35.



- **Facultatif** : Utilisez les boutons du panneau de commande (comme Fabric Softener) pour personnaliser le cycle de lavage. Pour les descriptions de, maistonnées, voir **Panneau de contrôle** page 27. à la page 27. Pour savoir quels boutons sont disponibles pour chaque type de cycle, voir **Options et réglages de la laveuse** page 35.

5. (Facultatif) Définissez une heure de début retardée

Vous pouvez programmer un cycle de lavage, puis fixer une heure à laquelle vous voulez que le cycle de lavage commence.

- Appuyez sur the **DELAY WASH** pour activer la fonction de démarrage de délai.



- Appuyez sur la touche **Delay** appuyez plusieurs fois sur le bouton pour sélectionner le délai désiré. L'heure de début de la temporisation, en heures, sera affichée sur l'affichage, en séquence, de **0** à **24**, puis revenir à **0**. Vous pouvez aussi appuyer sur la touche et la maintenir enfoncée. **Delay** pour régler rapidement l'heure jusqu'à ce que l'heure désirée apparaisse sur l'écran.
- Si vous souhaitez modifier les paramètres du cycle de lavage pendant que vous réglez l'heure de début de la période, tournez le sélecteur de cycle. Pour revenir à la fonction de démarrage de l'heure de début, répétez les étapes 1 et 2.

REMARQUE :

- Une fois le nombre d'heures de retard atteint en poussant le **Delay** bouton, relâchez le bouton pendant trois secondes et il sera réglé. Le voyant de retard reste allumé.
- Une fois le délai défini, si vous souhaitez modifier le réglage du délai, appuyez sur la **Delay** bouton de nouveau jusqu'à ce que l'heure souhaitée soit atteinte. Relâchez le bouton pendant trois secondes et il sera réglé.
- Si vous décidez d'annuler le réglage du délai, vous pouvez soit tourner le sélecteur de cycle, soit appuyer sur **Delay** bouton jusqu'à **0** est atteint.
- Idéalement, vous devez régler votre cycle avant de régler le délai, car il est possible de tourner le sélecteur de cycle après le délai d'annulation du délai.
- **L'heure de début de la période de retard ne peut être modifiée après le début du programme.**
- Pour annuler la fonction de délai de début avant de sauvegarder le réglage, appuyez sur la touche **Delay** bouton jusqu'à **0** apparaît sur ou tourner le bouton de sélection du cycle.

IMPORTANT:

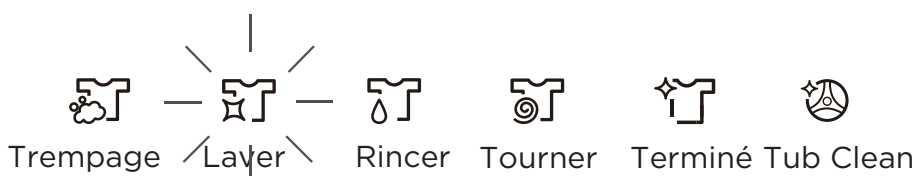
- Vous pouvez changer de réglage ou annuler la fonction de démarrage de délai en tout temps avant de cliquer sur **Start Pause** en tournant le sélecteur de cycle. Le délai de début de la période de démarrage ne peut être modifié après avoir appuyé sur la touche **Start Pause** bouton.
- Si vous avez appuyé sur **Start Pause** vous pouvez annuler le début du délai en appuyant sur la touche **Power** pour éteindre votre laveuse, puis **Power** pour le réactiver.

6. Démarrez votre laveuse

- Appuyez sur le **Start Pause** bouton.

REMARQUE:

- Si vous n'avez pas défini de délai de démarrage retardé ou si le délai de temporisation est expiré, votre laveuse commence le cycle et le **Wash** allume le voyant.
- Lorsque votre laveuse passe d'un stade à l'autre pendant le cycle de lavage, le voyant s'allume (comme **Rinse** ou **Spin**).
- Si vous définissez un délai de début retardé, le **Delay** s'allume et votre laveuse commence à compter le début du début.



- Si vous devez interrompre le cycle (par exemple, pour ajouter ou retirer des éléments ou ajuster la charge), appuyez sur la **Start Pause** puis ouvrez le couvercle. Votre laveuse s'arrête. Lorsque vous êtes prêt à reprendre le lavage, fermez la porte, puis appuyez sur le **Start Pause** button.

7. Décharger votre lessive

Lorsque le cycle de lavage est terminé :

- Le Done allume le voyant.
- Votre laveuse émet six bips et clignote **11, 22, 33, 44, 55, 66** après le cycle.
- Votre laveuse déverrouille le couvercle.



- Ouvrez le couvercle et retirez la lessive.

Réglage du verrouillage parental

Ynotre laveuse a une fonction de verrouillage de l'enfant pour empêcher les enfants de jouer avec votre laveuse. Lorsque vous activez le verrouillage parental, les seuls boutons qui fonctionnent sont les **Power** et le **Soil Level** et **Temp.** boutons que vous utilisez pour désactiver le verrouillage parental.

- Appuyez sur la touche et maintenez-la enfoncée **Soil Level** et **Temp.** buttons pendant trois secondes. Le voyant de verrouillage de l'enfant s'allume.



- Pour éteindre le verrouillage parental, appuyez sur la touche et maintenez-la enfoncée **Soil Level** et **Temp.** buttons pendant trois secondes.

REMARQUE:

- Si votre laveuse n'est pas allumée, le verrouillage de l'enfant peut toujours rester réglé. Appuyez sur la touche **Power** de verrouillage parental, appuyez sur la touche de verrouillage de l'enfant, puis appuyez sur la touche **Power** de la machine à laver pour éteindre votre laveuse. Lorsque vous voulez utiliser votre laveuse, vous devez désactiver la fonction de verrouillage.

- Si vous activez la fonction de verrouillage de l'enfant pendant que le couvercle de la laveuse est ouvert, E3 apparaît sur l'écran. Si vous ne fermez pas le couvercle dans les 20 secondes, votre laveuse émet une alarme, affiche la CL et draine toute l'eau dans le tub. Pour effacer l'alarme, appuyez sur **Power** pour éteindre votre laveuse.

Options et réglages de la laveuse

Tableau Options et paramètres de MLV45N1BWWC.

- Poids maximal de charge = 8,46 kg (18,65 lb) (vêtements secs)
- **Les options en gras sont les paramètres initiaux.** • (points) indiquent options fonctions que vous pouvez sélectionner.

Cycle	Type de tissu	Options de niveau de sol	Options de temp.	Options de niveau d'essorage	Delay	Trem-page	Rincage supplémentaire	Assou-plissant textile	Eau Plus	Signal
Normal/Colors	Coton, serviette en lin; draps pour chemises, jeans brassées	Extra Heavy Medium Light Extra Light	Hot Warm Eco Warm Cold Tap Cold	Medium	•	•	•	•	•	•
Heavy Duty	Tissus de coton très sales	Extra Heavy Heavy Medium Light	Hot Warm Eco Warm Cold Tap Cold	Extra High High Medium Low No spin	•	•	•	•	•	•
Tub Clean	Voir la page 36	Extra Heavy	Hot	Medium	•					•
Spin Only				Extra High High Medium Low	•					•
Rinse & Spin			Tap Cold	Extra High High Medium Low No spin	•			•	•	•
Bulky/Sheets	Articles volumineux comme les couvertures et les couettes	Extra Heavy Heavy Medium Light Extra Light	Hot Warm Eco Warm Cold Tap Cold	Extra High High Medium Low No spin	•	•	•	•	•	•
Delicates	Chemisier habillé Blouses Nylons Diaphane/Lacy	Heavy Medium Light Extra Light	Hot Warm Eco Warm Cold Tap Cold	Extra High High Medium Low No spin	•	•	•	•	•	•
Quick Wash	Légèrement souillés et légers	Medium Light Extra Light	Hot Warm Eco Warm Cold Tap Cold	Medium	•	•	•	•	•	•
Whites	Tissu blanc	Medium Light Extra Light	Hot Warm Eco Warm Cold Tap Cold	Extra High High Medium Low No spin	•	•	•	•	•	•
Active wear	Vêtements actifs	Heavy Medium Light Extra Light	Hot Warm Eco Warm Cold Tap Cold	Extra High High Medium Low No spin	•	•	•	•	•	•

Suivez les étiquettes de vêtements pour choisir la méthode de lavage et les réglages de température appropriés.

ENTRETIEN DE LA LAVEUSE

Mise en garde

Éteignez les robinets d'eau après l'utilisation finale. Cela éteint l'alimentation en eau de votre laveuse et empêche la possibilité de dommages causés par l'évacuation d'eau. Laissez le couvercle ouvert pour laisser l'intérieur de votre laveuse sécher.

NETTOYAGE ET ENTRETIEN

Nettoyage de l'extérieur

Utilisez un chiffon doux pour essuyer tout détergent, javellisant ou autre déversement au fur et à mesure qu'ils se produisent.

Nettoyage de l'intérieur

- Nettoyez périodiquement l'intérieur de votre laveuse pour éliminer toute saleté, saleté, odeur, moisissure ou résidu bactérien qui pourrait demeurer dans votre laveuse en raison de la laverie.
- Le non-respect de ces instructions peut entraîner des conditions désagréables, y compris des odeurs ou des taches permanentes dans votre laveuse ou sur votre linge.
- Pour enlever les dépôts d'eau dure, utilisez un nettoyant étiqueté « Washer sécuritaire ».

Nettoyage du panneau de commande

- Nettoyer avec un chiffon doux et humide. N'utilisez pas de poudres abrasives ou de tampons de nettoyage.
- Ne vaporisez pas les nettoyants directement sur le panneau. Le panneau de commande peut être endommagé par certains produits de nettoyage et de détachant à lessive. Appliquez de tels produits loin de votre laveuse et essuyez immédiatement les déversements ou les surplus.

Nettoyage du détergent, de l'eau de Javel ou du compartiment d'adoucisseur

- Pour enlever les résidus de produits de lessive, essuyez avec un chiffon humide et séchez-les.
- Vous pouvez enlever l'eau de Javel, le détergent et les compartiments d'adoucisseur pour les nettoyer.

Nettoyage du tub

Le **Tub Clean** cycle est un cycle autonettoyant qui élimine les causes d'odeurs qui peuvent survenir à l'intérieur de votre laveuse sans utiliser un agent de nettoyage. Nous suggérons de nettoyer le tub environ une fois par mois.



Mise en garde

N'utilisez jamais le Tub Clean lorsque la lessive est dans votre laveuse. Cela pourrait endommager la lessive ou votre laveuse.

- Avec le tub vide, ajouter une tasse de javellisant au chlore au distributeur de javellisant. dispenser.
- Appuyez sur le bouton **Power**.
- Tournez le sélecteur de cycle à **Tub Clean**. Lorsque vous sélectionnez **Tub Clean**, les seules options que vous pouvez modifier sont l'option Delay (Délai).
- Appuyez sur la bouton **Start Pause**.

Entreposage de votre laveuse

Vous pouvez endommager votre laveuse si vous ne retirez pas l'eau des tuyaux et des composants internes avant de les entreposer.

À préparez votre laveuse pour le rangement :

- Sélectionnez le **Quick Wash** cycle et ajouter de l'eau de Javel au lavage. Faites fonctionner votre laveuse pendant le cycle sans charge.
- Éteignez les robinets d'eau et débranchez les tuyaux d'entrée.
- Débranchez votre laveuse de la prise électrique et laissez votre couvercle de lave-glace ouvert pour laisser circuler l'air à l'intérieur du tub.



Mise en garde

Si votre laveuse a été entreposée dans sous les températures du gel, laissez le temps de laisser le temps de décongeler l'eau dans votre laveuse avant d'utiliser.

AVANT DE FAIRE APPEL AU SERVICE...

Des conseils de dépannage

Gagnez du temps et de l'argent! Examinez d'abord les tableaux des pages suivantes et vous n'avez peut-être pas besoin d'appeler le service.

PROBLÈME	SOLUTION
La laveuse ne démarre pas	<ul style="list-style-type: none">• Assurez-vous que votre laveuse est branchée.• Assurez-vous que le couvercle est fermé.• Assurez-vous que les robinets d'eau sont ouverts.• Assurez-vous d'appuyer sur la touche Start Pause pour démarrer votre laveuse.• Avant que votre laveuse commence à remplir, il suffit de cliquer sur les bruits pour vous assurer que le couvercle est verrouillé et pour effectuer un drainage rapide.• Assurez-vous que le verrouillage parental n'est pas activé. Voir Réglage du verrouillage parental page 34.• Assurez-vous que Delay n'est pas activée. Voir (Facultatif) Définissez une heure de début retardée page 32.• Vérifiez le fusible ou réinitialisez le disjoncteur.
Pas d'eau ou pas assez d'eau	<ul style="list-style-type: none">• Assurez-vous que les deux robinets sont bien allumés.• S'assurer que la pression d'eau est dans la plage indiquée dans Exigences en matière d'eau page 14.• S'assurer que les tuyaux d'admission d'eau ne sont pas pliés. Redressez le produit au besoin.• Débrancher les tuyaux et nettoyer les écrans. Les filtres du filtre du tuyau peuvent être bouchés.
Lorsque la laveuse présente une vibration ou un bruit excessif	<ul style="list-style-type: none">• Assurez-vous que votre laveuse est installée sur une surface plane. Si la surface n'est pas de niveau, ajustez les pieds de votre laveuse pour niveler votre laveuse.• Assurez-vous que votre laveuse ne touche aucun autre objet.• Assurez-vous que la charge de la lessive est équilibrée.• Pendant le processus d'essorage, si les vêtements sont empilés d'un côté de la baignoire, votre laveuse peut arrêter en raison du déséquilibre. Votre laveuse essaie jusqu'à trois fois pour résoudre le problème automatiquement. Si la laveuse ne peut résoudre le problème, essayez de redistribuer manuellement les vêtements à l'intérieur du tub.

Problem	Solutions
Arrêts de la laveuse	<ul style="list-style-type: none"> Assurez-vous que la prise de courant est une prise de courant. Vérifiez le fusible ou réinitialisez le disjoncteur. Fermez le couvercle, puis appuyez sur Start Pause pour démarrer votre laveuse. Pour votre sécurité, votre laveuse ne tourne pas à moins que le couvercle ne soit fermé. Avant que votre laveuse commence à remplir, il suffit de cliquer sur les bruits pour vous assurer que le couvercle est verrouillé et pour effectuer un drainage rapide. Parfois, votre laveuse peut faire une pause entre les étapes du cycle. Attendez pour voir si votre laveuse recommence. Débrancher les tuyaux d'entrée et nettoyer les écrans périodiquement. Les filtres du filtre du tuyau peuvent être bouchés.
Le couvercle est verrouillé ou ne s'ouvre pas	<ul style="list-style-type: none"> Appuyez sur la touche Start Pause pour mettre la laveuse en pause. Vous ne pouvez pas ouvrir le couvercle si la laveuse est en marche. Après avoir mis la laveuse en pause, il faudra quelques secondes pour que le verrou du couvercle se libère. Si le couvercle est verrouillé lorsque votre laveuse n'est pas en marche, appuyez sur la Power pour activer votre washer. Si l'alimentation échoue pendant que votre laveuse est en marche, lorsque l'alimentation est rétablie, le couvercle se déverrouille. Votre laveuse attend trois minutes, puis elle exécute le reste du cycle.
La laveuse ne drainage ou rotation	<ul style="list-style-type: none"> Vérifiez le fusible ou réinitialisez le disjoncteur. Fermez le couvercle, puis appuyez sur la Start Pause pour démarrer votre laveuse. Pour votre sécurité, votre laveuse ne tourne pas à moins que le couvercle ne soit fermé. Assurez-vous que le tuyau de vidange n'est pas plié. Redressez-les au besoin. S'assurer que la hauteur du tuyau de vidange se situe dans les limites spécifiées. Voir Exigences en matière de drainage page 14. Les tuyaux à votre système d'égout peuvent être bouchés. Communiquez avec un plombier ou un professionnel de la réparation qualifié.
La température de l'eau est incorrecte	<ul style="list-style-type: none"> Assurez-vous d'avoir sélectionné la bonne température. S'assurer que les robinets d'eau sont complètement ouverts. Assurez-vous que les tuyaux sont connectés au bon robinet et aux raccords d'admission d'eau de votre laveuse, puis rincez les lignes. Voir Raccorder les boyaux d'eau page 19. Débrancher les tuyaux et nettoyer les écrans. Les filtres du filtre du tuyau peuvent être bouchés.

Problem	Solutions
La charge est trop humide à la fin du cycle	<ul style="list-style-type: none"> Utiliser un détergent à haute efficacité pour réduire la sudation. Voir Sélection d'un détergent page 30. La charge peut être trop petite. Les petites charges (un ou deux articles) peuvent devenir déséquilibrées et ne pas être complètement déplacées.
Fuites d'eau	<ul style="list-style-type: none"> Assurez-vous que toutes les connexions de tuyau sont serrées. Voir Raccorder les boyaux d'eau page 19 et Brancher le tuyau de vidange page 21. S'assurer que l'extrémité du tuyau de vidange est correctement insérée et fixée au drainage system. Voir Brancher le tuyau de vidange page 21. Évitez de surcharger. Utiliser un détergent à haute efficacité pour réduire la sudation. Voir Sélection d'un détergent page 30.
Condition excessive	<ul style="list-style-type: none"> Utiliser un détergent à haute efficacité pour réduire la sudation. Voir Sélection d'un détergent page 30. Si vous avez une eau douce, réduisez la quantité de détergent. Pour les petites brassées ou les brassées légèrement sales, réduire la quantité de détergent.
Prevent odour	<ul style="list-style-type: none"> exécuter périodiquement un Tub Clean cycle pour nettoyer le tub. Voir Nettoyage du tub page 36. Utiliser un détergent à haute efficacité pour réduire la sudation. Les suins excessifs collectent dans des coins et des recoins et causent des odeurs. Voir Selecting a détergent on page 30. Séchez l'intérieur de votre laveuse après le cycle total.

CODES D'ERREUR

La description	Raison	Solutions
E1	Votre laveuse prend plus de 30 minutes pour remplir l'eau. Après avoir fini de pénétrer dans votre laveuse, le niveau d'eau n'a pas changé en cinq minutes.	<ul style="list-style-type: none"> Assurez-vous que le liate n'est pas ouvert. S'assurer que l'eau ne fuit pas. Voir Pas d'eau ni d'eau page 38. Communiquez avec le centre de service Midea.

Description	Reason	Solutions
E2	L'unité prend plus de 10 minutes pour drainer.	<ul style="list-style-type: none"> • Voir La laveuse ne se déverse pas et ne tourne pas le page 39.
E3	Le couvercle est ouvert. La laveuse n'est pas de niveau.	<ul style="list-style-type: none"> • Fermer le couvercle. • Niveau la rondelle. Voir «Étape 4 : Mettez votre laveuse en niveau » à la page 24.
E4	Votre laveuse est hors d'équilibre plus de trois fois en fonctionnement de rotation.	<ul style="list-style-type: none"> • Voir La laveuse vibre ou est trop bruyant le page 38 • Communiquez avec le centre de service Midea.
E5	Votre laveuse n'est pas de niveau. Échec du commutateur d'impact.	<ul style="list-style-type: none"> • Réglez le niveau de la laveuse à l'installation. • Si la situation se poursuit, appeler le centre de service Midea.
F2	Échec du EEPROM.	<ul style="list-style-type: none"> • Communiquez avec le centre de service Midea.
F5	Échec de la détection de la charge.	<ul style="list-style-type: none"> • Communiquez avec le centre de service Midea.
F8	Capteur de niveau d'eau, échec.	<ul style="list-style-type: none"> • Communiquez avec le centre de service Midea.
Fd	Échec du verrouillage du couvercle.	<ul style="list-style-type: none"> • Communiquez avec le centre de service Midea.
C9	Échec de la PCB.	<ul style="list-style-type: none"> • Communiquez avec le centre de service Midea.
CL	Le couvercle a été ouvert pour 20 secondes avec le Fonction Verrouillage parental activée.	<ul style="list-style-type: none"> • Appuyez sur le Power pour éteindre votre laveuse. • Désactivez la fonction Verrouillage parental. Voir Réglage du verrouillage parental page 34. • Communiquez avec le centre de service Midea.

GARANTIE LIMITÉE DE LA LAVEUSE MIDEA

ATTACHEZ VOTRE REÇU AUX PRÉSENTES. UNE PREUVE D'ACHAT EST REQUISE POUR OBTENIR UN SERVICE TECHNIQUE COUVERT PAR LA GARANTIE.

Veillez disposer des renseignements suivants lorsque vous appelez le Centre des services à la clientèle :

- Vos nom, adresse et numéro de téléphone
- Le numéro de modèle et le numéro de série de votre appareil
- Une description claire et détaillée du problème
- Preuve d'achat, y compris le nom et l'adresse du dépositaire ou du détaillant, et la date d'achat

SI VOUS AVEZ BESOIN D'UN SERVICE TECHNIQUE :

1. Avant de communiquer avec nous pour organiser le service, veuillez déterminer si votre produit nécessite une réparation. Certaines questions peuvent être abordées sans service. Veuillez prendre quelques minutes pour consulter la section Dépannage du manuel d'utilisation ou envoyer un courriel à customerserviceusa@midea.com.
2. Tout service technique couvert par la garantie est assuré exclusivement par nos prestataires de service technique Midea autorisés, aux États-Unis et au Canada.

Services à la clientèle Midea
Aux États-Unis ou au Canada, appelez le 1-866-646-4332. ou envoyez un courriel à
customerserviceusa@midea.com.

Si vous résidez hors des 50 États des États-Unis ou hors du Canada, communiquez avec votre concessionnaire Midea autorisé pour déterminer si une autre garantie s'applique.

GARANTIE LIMITÉE

CE QUE LA GARANTIE COUVRE

GARANTIE LIMITÉE POUR LA PREMIÈRE ANNÉE (PIÈCES ET MAIN-D'ŒUVRE)

Pendant un an à compter de la date d'achat, si cet appareil ménager est installé, utilisé et entretenu conformément aux instructions qui sont ci-jointes ou fournies avec le produit, Midea America (Canada) Corporation (ci-après appelée "Midea") paiera le coût de toute pièce de rechange spécifiée par l'usine et de la main-d'œuvre liée à la réparation, qui sont nécessaires pour corriger les défauts de matériaux et de fabrication qui étaient présents à l'achat de cet appareil ménager, ou remplacera le produit à sa seule discrétion. En cas de remplacement du produit, votre appareil ménager sera garanti pour la durée résiduelle de la période de garantie de l'appareil original.

GARANTIE À VIE LIMITÉE (CUVE EN ACIER INOXYDABLE)

Pendant la durée de vie du produit à compter de la date de l'achat original, si cet appareil ménager est installé, utilisé et entretenu conformément aux instructions qui sont ci-jointes ou fournies avec le produit, Midea paiera le coût des pièces de rechange spécifiées par l'usine et le coût de la main-d'œuvre de réparation des éléments précisés ci-dessous pour corriger les défauts non superficiels de matériaux ou de fabrication qui étaient présents à l'achat de l'appareil ménager en question :

- Cuve en acier inoxydable

VOTRE REMÈDE UNIQUE ET EXCLUSIF EN VERTU DE LA PRÉSENTE GARANTIE LIMITÉE EST LA RÉPARATION OU LE REMPLACEMENT DU PRODUIT, COMME PRÉVU AUX PRÉSENTES. Le service technique doit être assuré par une entreprise d'entretien désignée par Midea. La garantie limitée est valide uniquement dans les 50 États des États-Unis ou au Canada et s'applique uniquement si l'appareil ménager est utilisé dans le pays où il a été acheté. La présente garantie limitée entre en vigueur à compter de la date de l'achat original de l'appareil ménager par le consommateur. Une preuve de la date de l'achat original doit être présentée pour obtenir un service technique en vertu de la présente garantie limitée.

GARANTIE LIMITÉE

CE QUE LA GARANTIE NE COUVRE PAS

1. Une utilisation commerciale, non résidentielle ou multifamiliale, ou une utilisation non conforme aux instructions d'installation, d'utilisation ou de fonctionnement qui ont été publiées.
2. Une instruction à domicile sur le mode d'emploi du produit.
3. Un service technique pour corriger un mauvais entretien ou une installation incorrecte du produit, une installation non conforme aux codes d'électricité ou de plomberie, ou pour apporter une correction au système d'électricité ou de plomberie du domicile (p. ex. câblage, fusibles, tuyauterie ou tuyaux d'arrivée d'eau).
4. Les pièces consommables (p. ex. ampoules, batteries, filtres à air ou à eau, etc.).
5. Les défauts ou dommages causés par l'utilisation de pièces ou accessoires non originaux de Midea.
6. Les dommages causés par un accident, un mauvais usage, un usage abusif, un incendie, une inondation, des problèmes électriques, une force majeure, ou une utilisation avec des produits qui ne sont pas approuvés par Midea.
7. Les réparations des pièces ou systèmes qui sont nécessaires pour corriger l'endommagement du produit ou les défauts causés par un service technique, une altération ou une modification de l'appareil qui n'ont pas été autorisés.
8. Les dommages superficiels, notamment les égratignures, les bosses, les ébréchures et d'autres dommages causés au fini de l'appareil, à moins que ces dommages ne découlent de défauts de matériaux et de fabrication et n'aient pas été déclarés à Midea dans un délai de 30 jours.
9. L'entretien courant du produit.
10. Des produits achetés "tels quels" ou ayant été remis en état de fonctionnement.
11. Des produits ayant été transférés de leur propriétaire original.
12. La décoloration, la rouille ou l'oxydation des surfaces découlant d'environnements caustiques ou corrosifs, y compris mais non de façon limitative, les concentrations élevées en sel, un niveau élevé d'humidité ou une exposition aux produits chimiques.
13. La collecte ou la livraison du produit. Celui-ci est destiné à une réparation à domicile.
14. Les frais de voyage ou de transport pour obtenir un service technique dans les endroits éloignés, où un préposé à l'entretien autorisé de Midea n'est pas disponible.
15. Le retrait ou la réinstallation d'appareils inaccessibles ou d'accessoires fixes incorporés (p. ex. boiserie, panneaux décoratifs, revêtement de sol, armoires de cuisine, îlots de cuisine, comptoirs de cuisine, cloisons sèches, etc.) qui entravent l'entretien technique, le retrait ou le remplacement du produit.
16. Le service technique ou les pièces pour des appareils dont les numéros originaux de modèle ou de série ont été enlevés ou altérés, ou sont difficilement reconnaissables.

Dans ces circonstances exclues, le coût des réparations ou du remplacement du produit sera assumé par le client.

DÉNÉGATION DE GARANTIES IMPLICITES

LES GARANTIES IMPLICITES, Y COMPRIS TOUTE GARANTIE IMPLICITE DE QUALITÉ MARCHANDE OU GARANTIE IMPLICITE D'APTITUDE À UN EMPLOI PARTICULIER, SONT LIMITÉES À UNE PÉRIODE D'UN AN OU À LA PÉRIODE LA PLUS COURTE PERMISE PAR LA LOI. Quelques états et provinces ne permettent pas l'imposition d'une limite à la durée des garanties implicites de qualité marchande ou d'aptitude à l'emploi et, par conséquent, il est possible que cette limitation ne vous concerne pas. La présente garantie vous confère certains droits légaux. Vous pouvez également jouir d'autres droits, lesquels varient d'un état à l'autre ou d'une province à l'autre.

DÉNÉGATION DE DÉCLARATIONS NE RELEVANT PAS DE LA GARANTIE

Midea ne fait aucune déclaration concernant la qualité ou la durabilité de cet appareil ménager, ni son besoin de service technique ou de réparation, à part les déclarations formulées dans la présente garantie. Si vous souhaitez une garantie plus longue ou plus complète que la garantie limitée qui accompagne cet appareil ménager, veuillez communiquer avec Midea ou votre détaillant au sujet de l'achat d'une prolongation de garantie.

LIMITATION DES REMÈDES; EXCLUSION DES DOMMAGES ACCESSOIRES ET DES DOMMAGES INDIRECTS

VOTRE REMÈDE UNIQUE ET EXCLUSIF EN VERTU DE LA PRÉSENTE GARANTIE LIMITÉE EST LA RÉPARATION DU PRODUIT PAR MIDEA, COMME PRÉVU AUX PRÉSENTES. MIDEA N'EST PAS RESPONSABLE DES DOMMAGES ACCESSOIRES ET INDIRECTS. Quelques états et provinces ne permettent pas l'exclusion ou la limitation de dommages accessoires ou indirects et, par conséquent, il est possible que ces limitations et ces exclusions ne vous concernent pas. La présente garantie vous confère certains droits légaux. Vous pouvez également jouir d'autres droits, lesquels varient d'un état à l'autre ou d'une province à l'autre.

RENSEIGNEMENTS SUR L'INSCRIPTION

PROTÉGEZ VOTRE PRODUIT :

Nous conserverons le numéro de modèle et la date d'achat de votre nouveau produit Midea dans le dossier pour vous aider à consulter ces renseignements en cas de réclamation d'assurance comme un incendie ou un vol.

Inscrivez-vous en ligne à www.midea.com/ca/support/Product-registration

OU

Veillez remplir et retourner l'adresse à l'adresse suivante :

Midea America Corp. 759 Bloomfield Ave #386, West Caldwell, NJ 07006-6701

------(détacher ici) -----

Nom	Modèle : Carte :	Numéro de série :
Adresse :	Date d'achat : Nom du magasin/dépositaire :	
Ville : État : Code postal :	Adresse de courriel :	
Indicatif régional : Numéro de téléphone :		
Avez-vous acheté une garantie supplémentaire :	Comme résidence principale :	
Comment avez-vous appris ce produit : <input type="checkbox"/> Publicité <input type="checkbox"/> Démonstration en magasin <input type="checkbox"/> Démonstration personnelle		

Les renseignements recueillis ou soumis à nous sont uniquement offerts aux employés internes de la société aux fins de communiquer avec vous ou de vous envoyer des courriels, selon votre demande d'information et les fournisseurs de services de la société aux fins de prestation de services liés à nos communications avec vous. Toutes les données ne seront pas partagées avec d'autres organisations à des fins commerciales.

Midea America (Canada) Corp.
Markham, ON L3R 8V2
Service à la clientèle : 1-866-646-4332

Fabriqué en Chine



make yourself at home