



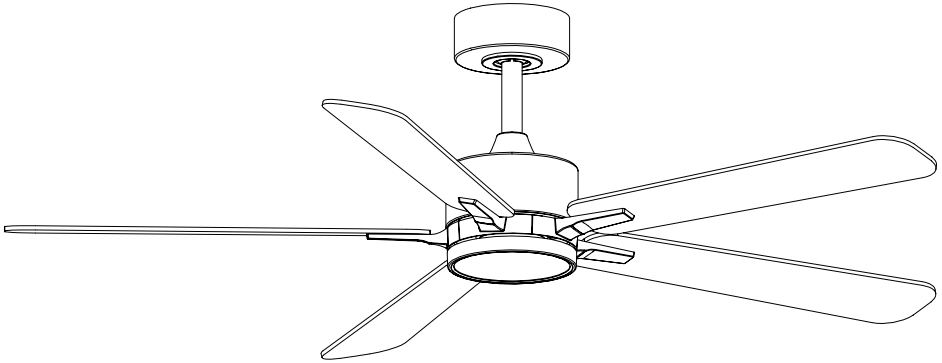
HARBOR BREEZE and logo design are trademarks or registered trademarks of LF, LLC. All rights reserved.

ITEM #6034476
MODEL #37000153

NORTHBROOK CEILING FAN

Español p. 23

ATTACH YOUR RECEIPT HERE



Serial Number _____

Purchase Date _____

Thank you for purchasing this HARBOR BREEZE product.
Questions, problems or missing parts?
Before returning, contact us on:
888-251-1003, 8 a.m. - 8 p.m., EST, Monday - Sunday or ascs@lowes.com.

SG25884



TABLE OF CONTENTS

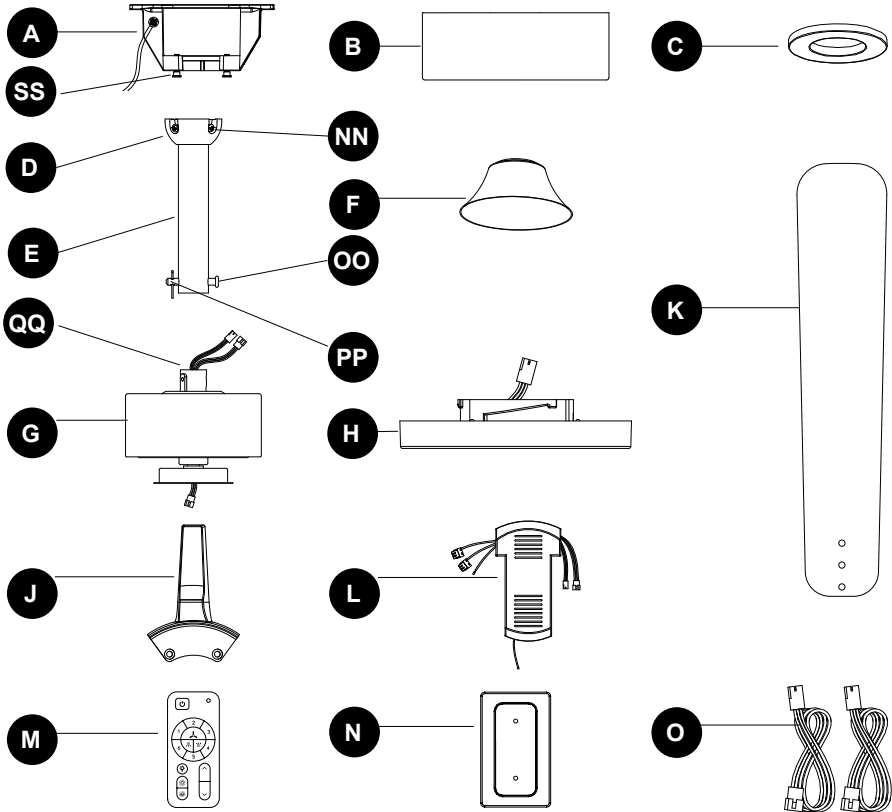
Package Contents.....	3
Hardware Contents.....	4
Safety Information.....	5
Preparation.....	9
Pre-installation.....	9
Installation Instructions.....	10
Fan and Remote Control Operation.....	20
Care and Maintenance.....	21
Troubleshooting.....	21
Three Years Limited Warranty.....	22
Technical Service.....	22

PRODUCT SPECIFICATIONS

SPECIFICATIONS	SPECIFICATIONS
Remote control	6 Speed
Dimmable	4743 CFM, 165 RPM
5 color select	Integrated LED
Silent operation	1200 lumens, 80 CRI
DC motor	20,000 hours
Energy efficient 35 W motor	52 in. diameter (fully assembled)
Reversible motor	Net weight of fan: 9.74 lbs. / 4.42 kg.

Model	Min. thickness of edges of blades (in. / mm)	Blade length (in. / cm)	RPM	Speed at tip of blades (ft/s, m/s)
37000153	0.22 in. (5.59 mm)	21.81 in. (55.4 cm)	165	37.43 ft/s (11.41 m/s)

PACKAGE CONTENTS



PART	DESCRIPTION	QTY
A	Mounting bracket	1
SS	Mounting bracket screws (preassembled to Mounting Bracket [A])	2
B	Canopy	1
C	Magnetic canopy ring	1
D	Hanger ball (pre-assembled to Downrod [E])	1
NN	Hanger ball screws (preassembled to Hanger Ball [D])	2
OO/PP	Downrod locking pin and hanging pin (preassembled to Downrod [E])	2
E	Downrod	1
F	Decorative cover	1

PART	DESCRIPTION	QTY
G	Motor housing	1
QQ	Set screws (preassembled to Motor housing [G])	2
H	Light kit	1
J	Blade arm	5
K	Blade	5
L	Remote control receiver	1
M	Remote control	1
N	Remote control backplate	1
O	Extra 30 in. wires included for longer downrods that are purchased separately	2

HARDWARE CONTENTS

AA



Wire nut

Qty. 2

BB



Blade screws

Qty. 16

CC



Washers for blade screws

Qty. 16

DD



Blade arm screws

Qty. 11

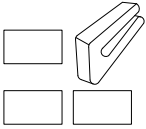
EE



Remote control backplate screw anchors

Qty. 2

FF



Balancing kit

Qty. 1

GG



Remote control backplate screws

Qty. 2

HH



Extra junction box screws #8-32 x 1 in. (2.54 cm)

Qty. 2

II



Extra junction box screws #10-24 x 1 in. (2.54 cm)

Qty. 2

JJ



Washers for junction box screws #8-32

Qty. 2

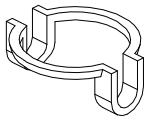
KK



Washers for junction box screws #10-24

Qty. 2

LL



Insert for downrod hanger ball

Qty. 1

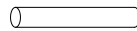
MM



Screws for downrod hanger ball

Qty. 2

YY



Cross pin for downrod hanger ball

Qty. 1

SAFETY INFORMATION

Please read and understand this entire manual before attempting to assemble, operate or install the product.

SAFETY INFORMATION

Most electrical accidents are caused by carelessness or ignorance. If you combine a basic knowledge of electricity, a healthy respect for it, and a dose of common sense, you can safely tackle many household electrical repairs. Here are some basic guidelines for working with electricity:

- Before working on a circuit, go to the main service panel and remove the fuse or trip the breaker that controls that circuit. Tape a sign to the panel warning others to leave the circuit alone while you work.
- Before touching any wire, use a voltage tester to make sure it's not live.
- Whenever you check for voltage in a receptacle, check both outlets – each may be controlled by a separate wiring circuit.
- When replacing fuses, turn off the main power first. Make sure your hands and feet are dry, and place one hand behind your back to prevent electricity from making a complete circuit through your chest.
- Touch a plug fuse only by its insulated rim. Remove cartridge fuses with a fuse puller.
- Use tools with insulated handles and ladders made of wood or fiberglass.
- Keep dry-chemical fire extinguishers in the kitchen, basement, and workshop.
- Never disable grounding devices. Make sure that all appliances requiring grounding are properly grounded, and that the electrical system itself is properly grounded.
- Meet or exceed all electrical code requirements that cover the work you are doing.
- Always work with enough light to see what you are doing; it's easy to make mistakes when you're working in dim light.

If in doubt, consult a qualified electrician.

SAFETY INFORMATION

WARNING

- Ensure the batteries are installed correctly according to polarity (+ and -).
- Remove and immediately recycle or dispose of used batteries according to local regulations and keep away from children. Do not dispose of batteries in household trash or incinerate.
- Do not dispose of batteries in fire. Batteries may explode or leak.
- Even used batteries may cause severe injury or death.
- Call a local poison control center for treatment information.
- CR2032 3V replaceable battery.
- Non-rechargeable batteries are not to be recharged.
- Do not force discharge, recharge, disassemble, heat above (60°C) or incinerate. Doing so may result in injury due to venting, leakage or explosion resulting in chemical burns.
- Do not mix old and new batteries, different brands or types of batteries, such as alkaline, carbon-zinc, or rechargeable batteries.
- Remove and immediately recycle or dispose of batteries from equipment not used for an extended period of time according to local regulations.
- Always completely secure the battery compartment. If the battery compartment does not close securely, stop using the product, remove the batteries, and keep them away from children.

WARNING

- **INGESTION HAZARD:** This product contains a button cell or coin battery.
- **DEATH** or serious injury can occur if ingested.
- A swallowed button cell or coin battery can cause **Internal Chemical Burns** in as little as **2 hours**.
- **KEEP** new and used batteries **OUT OF REACH** of **CHILDREN**.
- **Seek immediate medical attention** if a battery is suspected to be swallowed or inserted inside any part of the body.



WARNING

INGESTION HAZARD:

This product contains a button cell or coin battery.

WARNING

READ AND SAVE THESE INSTRUCTIONS

Most electrical accidents are caused by carelessness or ignorance. If you combine a basic knowledge of electricity, a healthy respect for it, and a dose of common sense, you can safely tackle many household electrical repairs. Here are some basic guidelines for working with electricity:

- Before working on a circuit, go to the main service panel and remove the fuse or trip the breaker that controls that circuit. Tape a sign to the panel warning others to leave the circuit alone while you work.
- Before touching any wire, use a voltage tester to make sure it's not live.
- Whenever you check for voltage in a receptacle, check both outlets – each may be controlled by a separate wiring circuit.
- When replacing fuses, turn off the main power first. Make sure your hands and feet are dry, and place one hand behind your back to prevent electricity from making a complete circuit through your chest. Touch a plug fuse only by its insulated rim. Remove cartridge fuses with a fuse puller.
- Use tools with insulated handles and ladders made of wood or fiberglass.
- Keep dry-chemical fire extinguishers in the kitchen, basement, and workshop.
- Never disable grounding devices. Make sure that all appliances requiring grounding are properly grounded, and that the electrical system itself is properly grounded.
- Meet or exceed all electrical code requirements that cover the work you are doing.
- Always work with enough light to see what you are doing; it's easy to make mistakes when you're working in dim light.
- If in doubt, consult a qualified electrician.

Any changes or modifications to this unit not expressly approved by the party responsible for compliance could void the user's authority to operate the equipment

This device complies with Part 15 of the FCC rules. Operation is subjected to the following two conditions: (1) this device may not cause harmful interference, and (2) this device must accept any interference received, including interference that may cause undesired operation.

This device contains licence-exempt transmitter(s)/receiver(s) that comply with Innovation, Science and Economic Development (ISED) Canada's licence-exempt RSS(s). Operation is subject to the following two conditions: (1) this device may not cause interference, and (2) this device must accept any interference, including interference that may cause undesired operation of the device.

The device has been evaluated to meet general RF exposure requirement.

NOTE:

This equipment has been tested and found to comply with the limits for a Class B digital device, pursuant to Part 15 of the FCC Rules. These limits are designed to provide reasonable protection against harmful interference in a residential installation. This equipment generates, uses and can radiate radio frequency energy and, if not installed and used in accordance with the instructions, may cause harmful interference to radio communications. However, there is no guarantee that interference will not occur in a particular installation. If this equipment does cause harmful interference to radio or television reception, which can be determined by turning the equipment off and on, the user is encouraged to try to correct the interference by one or more of the following measures:

- Reorient or relocate the receiving antenna.
- Increase the separation between the equipment and receiver.
- Connect the equipment to an outlet on a circuit different from that to which the receiver is connected.
- Consult the dealer or an experienced radio/TV technician for help.

 **WARNING**

FCC Responsible Party: Globe Electric
Address: 2264 East 6th Street, San Bernardino, CA 92410 U.S.A.
www.globe-electric.com
CAN ICES (B)/NMB (B)

WARNING: to reduce the risk of fire or electric shock, do not use this fan with any solid-state speed control device.

WARNING: to reduce the risk of personal injury, do not bend the blade brackets when installing the brackets, balancing the blades, or cleaning the fan. Do not insert foreign objects in between rotating fan blades.

WARNING: to reduce the risk of fire, electric shock, or personal injury, mount to outlet box marked "acceptable for fan support of 15.9/22.7/31.8 kg (35/50/70 lbs.) or less" and use mounting screws provided with the outlet box.

CAUTION: to reduce the risk of electric shock, disconnect the electrical supply circuit to the fan before installing light kit.

PREPARATION

Before beginning assembly of product, make sure all parts are present. Compare parts with package contents list and hardware contents list. If any part is missing or damaged, do not attempt to assemble, install, or operate the product.

Estimated Assembly Time: 15-30 minutes

Tools Required for Assembly (not included): Phillips head screwdrivers, wire cutter, electrical tape and step ladder.

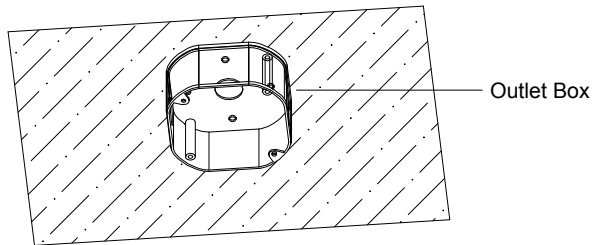
Note: Do not use power tools for the installation to avoid damaging the screws/parts.

PRE-INSTALLATION

Fan must be able to be secured to a fan-rated outlet box. If none exists, contact a qualified electrician for installation.

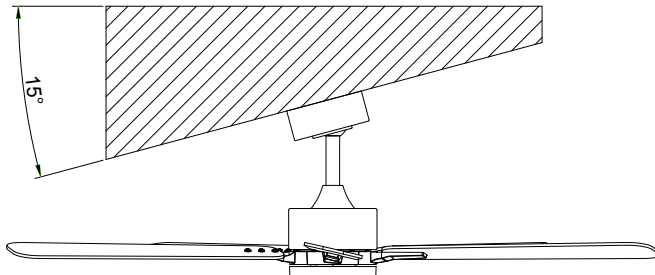
⚠ WARNING

- To reduce the risk of fire, electric shock, or personal injury, mount to outlet box marked "acceptable for fan support of 15.9/22.7/31.8 kg. (35/50/70 lbs.) or less" and use mounting screws provided with the outlet box.



NOTE:

- Fan can be mounted on a sloped ceiling up to a maximum angle of 15 degrees.



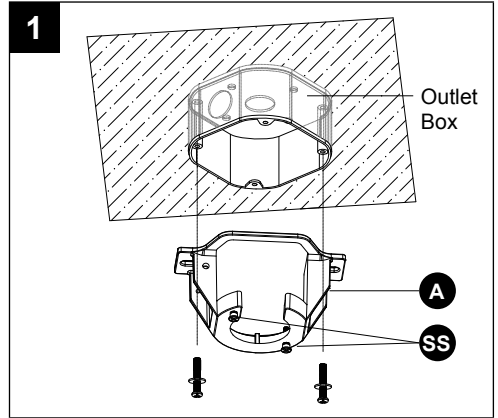
INSTALLATION INSTRUCTIONS

1. Installing the mounting bracket to the outlet box.

Secure the mounting bracket (A) to the outlet box with the screws and washers provided with your outlet box.

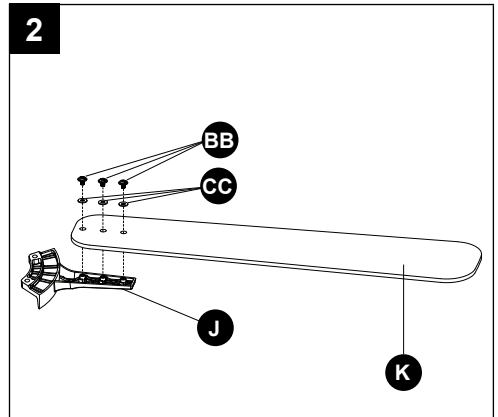
Loosen (do not remove) the 2 mounting bracket screws (SS).

NOTE: Extra junction box screws #8-32 x 1 in. (2.54 cm) and washers (HH/JJ), and #10-24 x 1 in. (2.54 cm) and washers (II/KK) found in bag "AA" included if needed.



2. Attaching the blade to the blade arm.

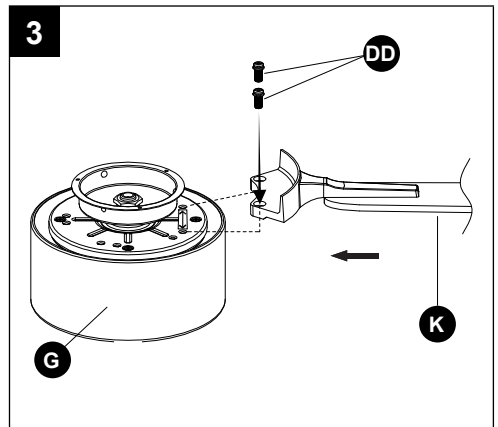
Secure the blade arm (J) to the blade (K) using the blade screws (BB) and washers (CC) from the accessory bag "BBB". Repeat for the other 4 blades.



3. Attaching the assembled blades to the motor housing.

Line up the assembled blade (K) to the motor housing (G) between the 2 arrows, as shown, and attach using the blade arm screws (DD) from the accessory bag "BB". Repeat for the remaining 4 blade arms.

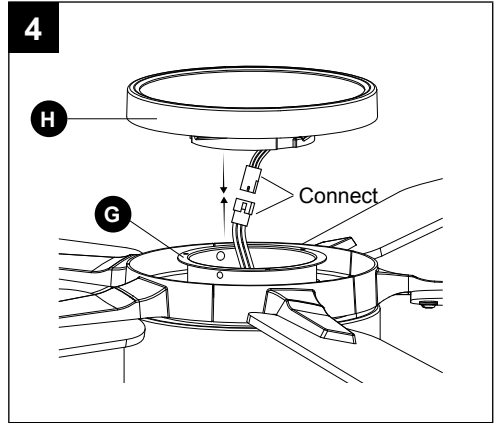
NOTE: The inside of the ceiling fan box can be used to stabilize the fan, to avoid potential damage.



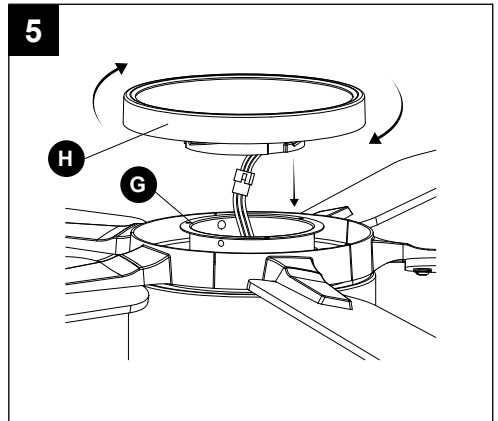
INSTALLATION INSTRUCTIONS

4. Connecting the light kit.

Connect the light kit wires (H) to the motor housing wires (G).



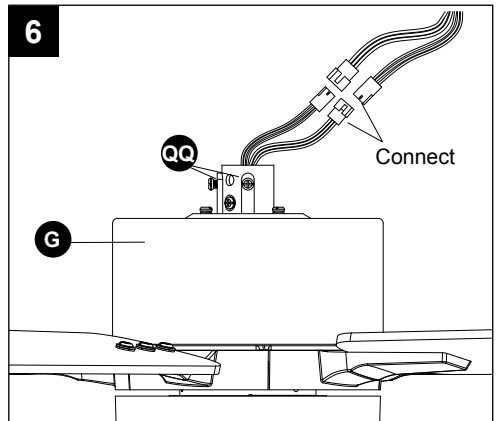
5. Secure the light kit (H) to the motor housing (G) by twisting clockwise until tight.



6. Prep motor housing for downrod installation.

Turn the fan over and loosen the 2 set screws (QQ) on the motor housing (G).

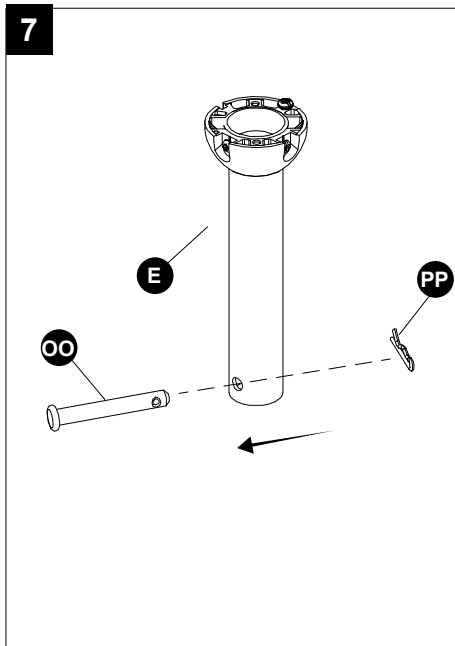
NOTE: If you are using a longer downrod (not included, must be purchased separately), attach the extra 30 in. wires (O) to the motor housing (G) before installing the longer downrod.



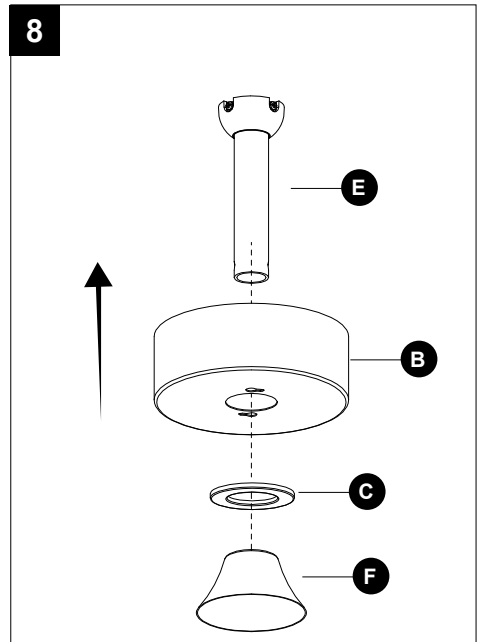
INSTALLATION INSTRUCTIONS

Continue with steps 7 and 8 to install the downrod that is included.

7. Remove the locking pin (PP) and the hanging pin (OO) from the downrod (E).



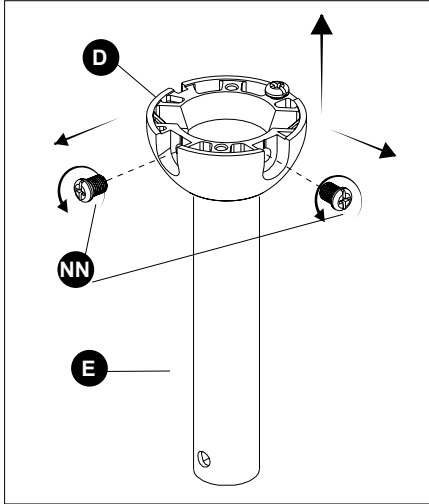
8. Slide the canopy (B) and the magnetic canopy ring (C), both facing upwards onto the downrod. Then slide the decorative cover (F) onto the downrod facing downwards.



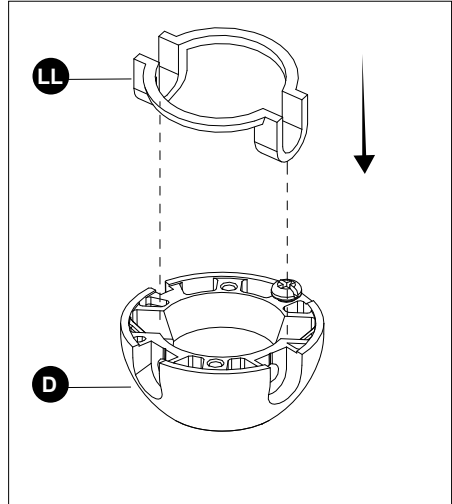
INSTALLATION INSTRUCTIONS

IF YOU ARE USING A LONGER DOWNROD CONTINUE WITH THE NEXT STEPS.
(Not included, must be purchased separately)

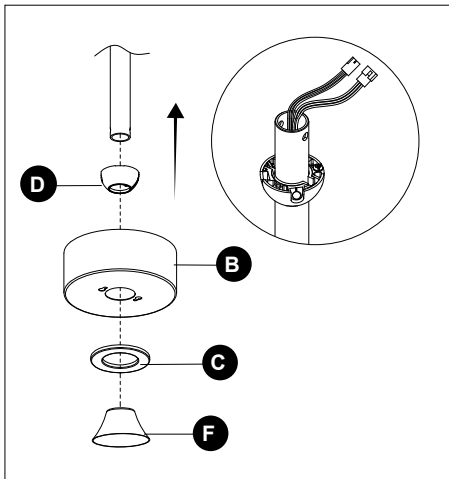
Remove the hanger ball screws (NN), then slide the hanger ball (D) off the included downrod (E).



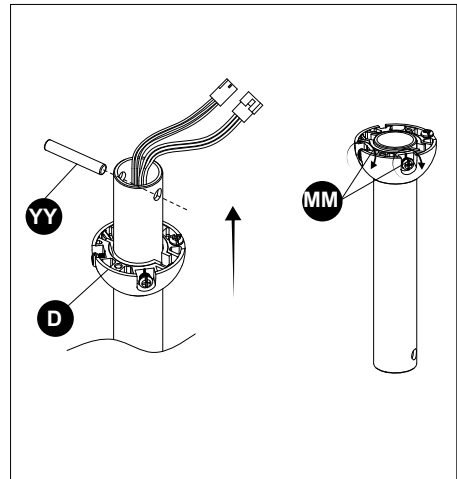
Place the insert (LL) found in bag "CC" into the hanger ball (D).



Slide the hanger ball (D), canopy (B) and magnetic canopy ring (C) onto the longer downrod facing upwards. Next slide the decorative cover (F) onto the downrod facing downwards. Lastly, carefully feed the motor housing wires up through the longer downrod as shown.



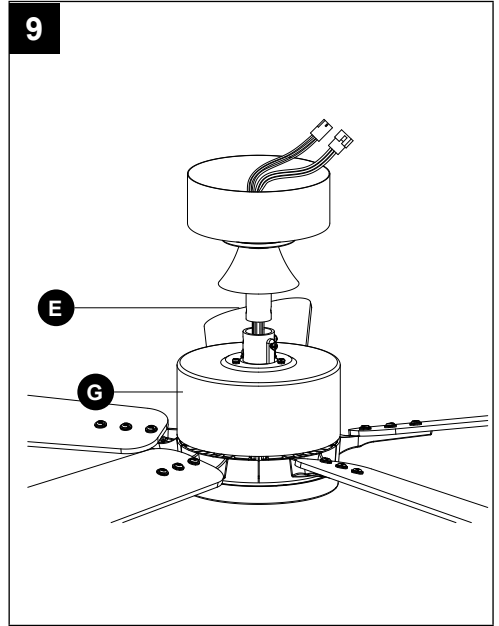
Insert the cross pin (YY) found in bag "CC" into the large hole at the top of the downrod. Slide the hanger ball (D) up to secure the cross pin (YY) within the groove. Ensure the screw holes are aligned using screws (MM) found in bag "CC" and tighten. Continue to step 9.



INSTALLATION INSTRUCTIONS

9. Assembling the downrod to the motor housing.

Carefully feed the motor housing (G) wires through the downrod (E).



10. Insert the downrod (E) into the motor housing (G) and align the holes. Reinstall the hanging pin (OO), secure it with the locking pin (PP), and tighten the set screws (QQ).

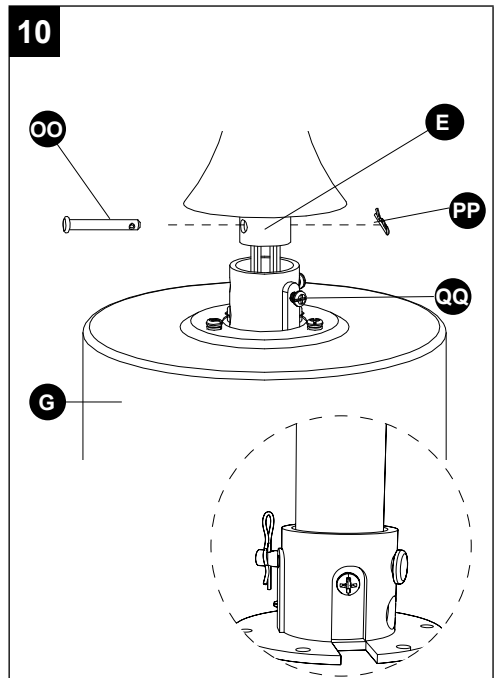
NOTE: If you feel resistance while installing the hanging pin, push down or aside the cable wires.

CAUTION

- To avoid damage and to ensure a wobble-free operation, the set screws must be fully tightened until you feel resistance.

⚠ WARNING

- Failure to properly install the motor housing locking pin could result in the fan becoming loose and possibly falling.



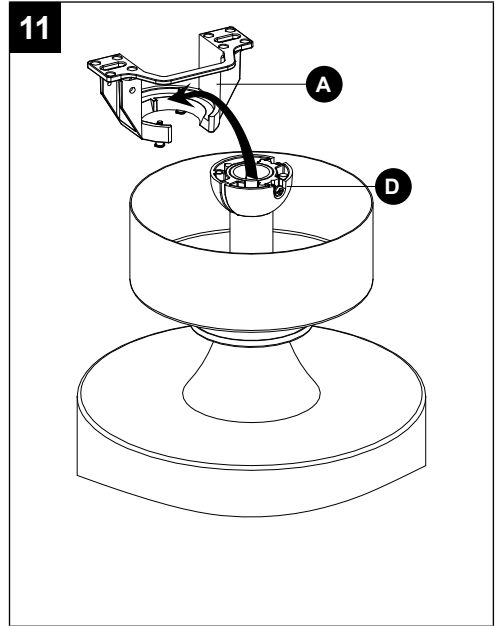
INSTALLATION INSTRUCTIONS

11. Installing the assembled fan into the mounting bracket.

Lift the assembled fan into the mounting bracket by placing the hanger ball (D) into the mounting bracket (A) opening.

CAUTION

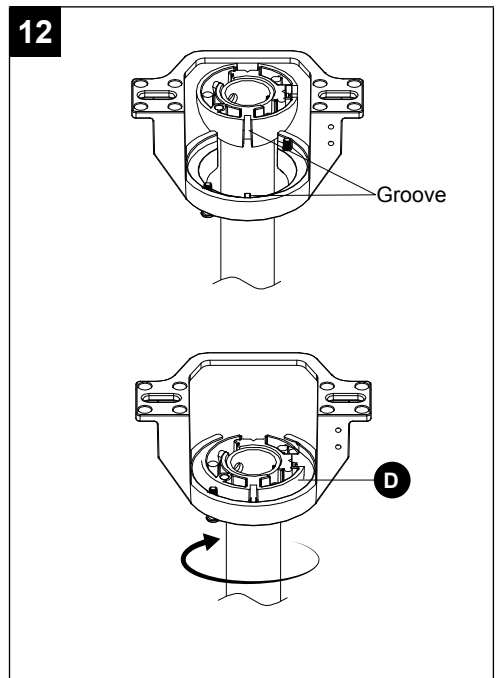
- To prevent damage to the fan, always lift up the fan by the downrod or motor housing



12. Rotate the assembled fan until the groove on the hanger ball aligns and drops into the slot on the mounting bracket and sits firmly. The hanger ball (D) should not rotate if this is done correctly.

CAUTION

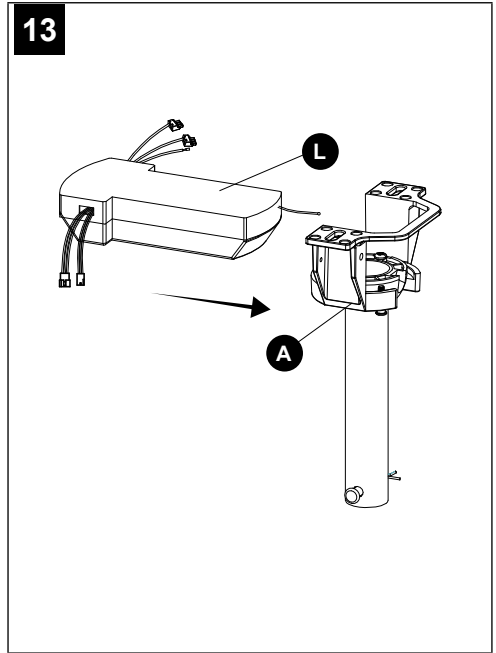
- Failure to align groove on the hanger ball with the slot could result in wobbling.



INSTALLATION INSTRUCTIONS

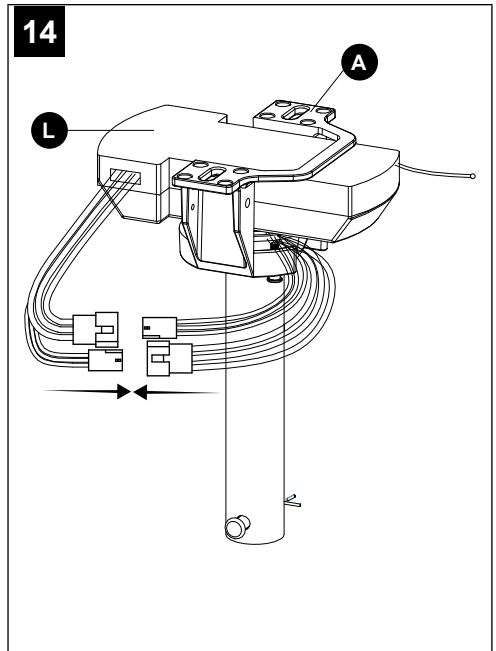
13. Wire the fan.

Insert the receiver (L) into the mounting bracket (A) as shown.



14. Connecting the motor housing wires to the receiver wires

Connect the 2 connectors from the receiver (L) to the connectors from the motor housing, matching the wire colors. Black, red and white connects to same color wires and red, yellow and white connect to same color wires.



INSTALLATION INSTRUCTIONS

15. Connect the ceiling wires to the receiver wires as follows:

Insert the hot (black) wire from the ceiling into one of the free holes of the black wire quick connect from the receiver and push the wire in all the way. Gently tug on wire to ensure it is secure in connector.

Insert the neutral (white) wire from the ceiling into one of the free holes of the white wire quick connect from the receiver and push the wire in all the way. Gently tug on wire to ensure it is secure in connector.

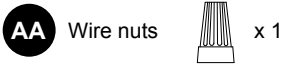
Connect all ground wires to ceiling ground wire, as shown below, using the wire nut (AA) found in accessory bag "AA" and wrap it with electrical tape. If your ceiling does not have a ground wire, consult a qualified electrician.

NOTE: After connecting the wires, spread them apart so that the ground / white wires are on one side and the black wires are on the other side.

⚠ WARNING

- All wiring must be in accordance with the National Electrical Code, ANSI/NFPA 70. If wires at the installation site are any other color than what is listed here, have this fan installed by a qualified electrician.
- The ceiling fan must be grounded. If there is no ground wire present on the installation site (example, from the ceiling), STOP the installation immediately and consult a qualified electrician.

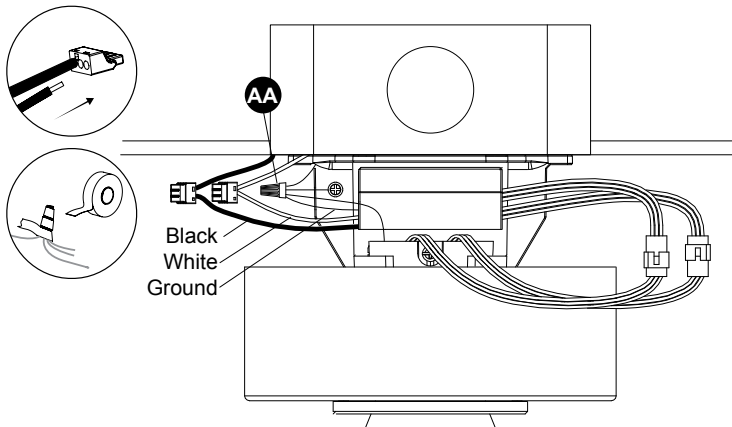
Hardware Used



CAUTION

- To reduce the risk of electric shock, disconnect the electrical supply circuit to the fan before wiring. If you do not feel your electrical wiring knowledge or experience is sufficient, contact a qualified electrician.
- Do not install in a wet location.

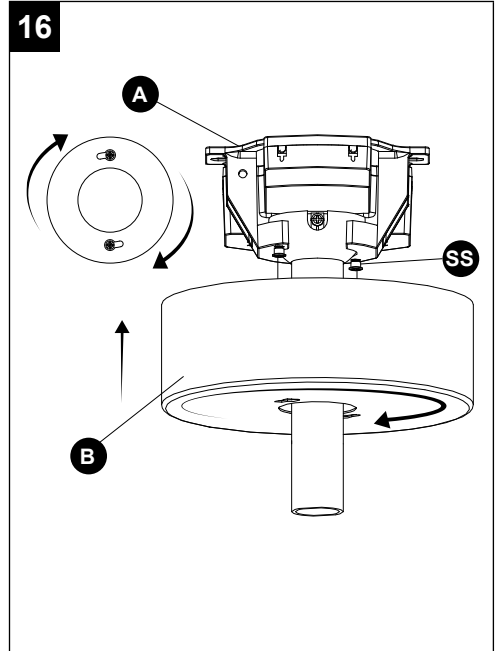
15



INSTALLATION INSTRUCTIONS

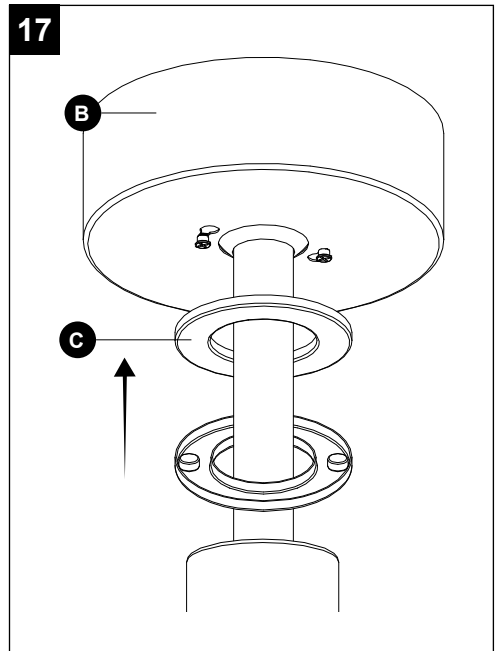
16. Attach the canopy.

Attach the canopy (B) to the mounting bracket (A) by aligning the mounting bracket screws (SS) with the canopy keyholes and twist, then tighten the mounting bracket screws (SS).



17. Attach the magnetic canopy ring to the canopy.

Lift the magnetic canopy ring (C) up to the canopy (B).



INSTALLATION INSTRUCTIONS

Hardware Used

EE Remote control backplate screw anchors



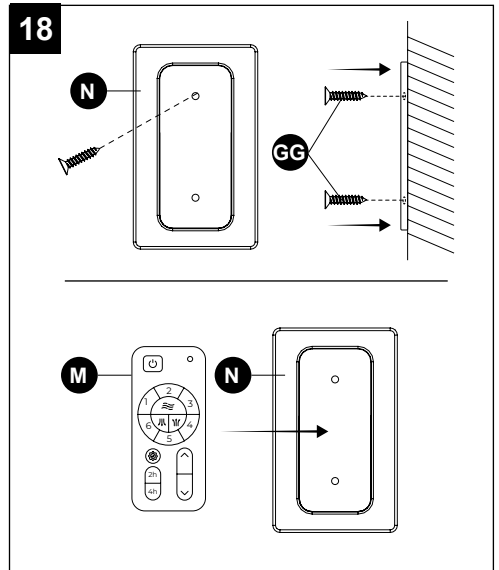
x 2

GG Remote control backplate screw



x 2

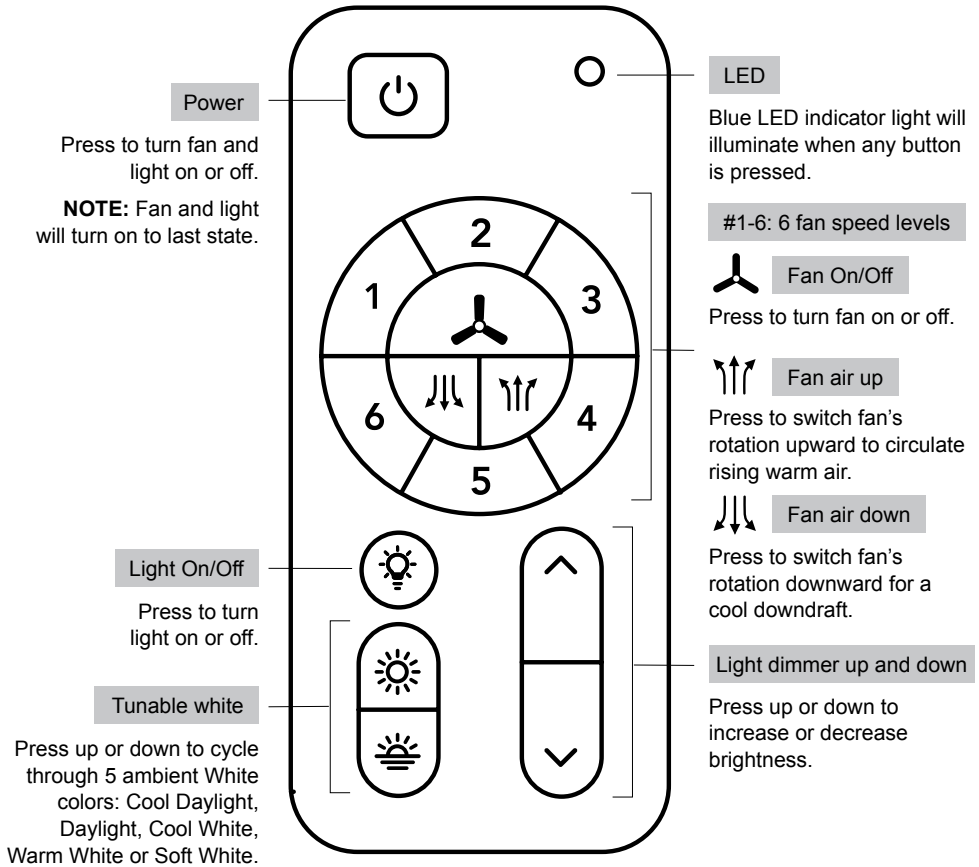
18. Secure the remote control backplate (N) to preferred location with the screw anchors (EE) and screws (GG) found in the remote control accessory bag. Once the backplate (N) is securely mounted, place the remote control (M) in the backplate (N) to hold in place.



FAN AND REMOTE CONTROL OPERATION

Remote model name: **304 Remote Control**

Remote model number: GL37152



NOTE: Remote uses 1 CR2032 button cell battery (included). Remove the plastic tab on battery door before using remote. When replacing the battery, ensure the battery door is closed all the way (you will hear a click).

NOTE: The device has been evaluated to meet RF exposure requirements. The device can be used in portable exposure conditions without restriction.

This equipment complies with FCC radiation exposure limits set forth for an uncontrolled environment.

CARE AND MAINTENANCE

- The fan's natural movements may cause some connections to come loose. A clicking or rattling noise is a certain sign of loosening screws. Check the support connections, brackets and blade attachment twice a year, and tighten all screws as necessary.
- Make sure to disconnect the fan from the power supply before servicing or cleaning.
- Clean your fan periodically. Use only a damp cloth, never use solvents, and dust with a soft cloth or brush.
- You will never need to oil your fan; its permanently sealed bearing will prevent noise.
- Do not operate when product is damaged. Discard fan or return to an authorized service facility for inspection and/or repair.
- Total light fixture wattage is 18 watts; do not attempt to replace LED.

TROUBLESHOOTING

PROBLEM	SOLUTION
Fan / light does not start.	<ol style="list-style-type: none">1. Ensure wall switch is turned on.2. Check all fuses/circuit breakers.3. Turn off electrical power and ensure the wiring is correct and connectors secured, as shown in steps 13, 14 and 15 of assembly.4. Confirm that the remote is working; LED indicator light should illuminate when any button is pressed.5. If fan still will not start, contact a qualified electrician. Do not attempt to troubleshoot internal electrical connections yourself.
Fan is noisy.	<ol style="list-style-type: none">1. Allow a 24-hour "break in" period. Any level of noise louder than ambient levels should disappear during that time.2. Check the electrical outlet box and ensure it is securely fastened.3. Check all screws/wire connections on the fan to ensure they are securely fastened.4. Use of an unapproved light dimmer or wall control can cause the fan to act irregularly and produce excess noise. Check to ensure that if installed, the wall control is approved for ceiling fan use; however, it is not suggested to use a dimmer switch with the fan.
Fan moves backwards and forwards when turned on.	<ol style="list-style-type: none">1. This is a normal start-up procedure for DC motor fans. The partial movement during start-up is the result of the DC motor aligning the internal magnetic poles for proper motor operation. This design saves electricity and allows the fan to operate much more quietly than standard AC motor fans.
Fan does not move much air.	<ol style="list-style-type: none">1. Check the direction of the fan blades when running. If needed, change the direction of the fan blades to ensure the ceiling fan is moving air in the desired direction.2. Ensure no household items are obstructing the airflow of the ceiling fan.3. Check to ensure the ceiling fan is appropriate for the size of the room in which it is installed.

TROUBLESHOOTING (CONTINUED)

PROBLEM	SOLUTION
Fan shakes or wobbles.	<ol style="list-style-type: none">1. A small amount of wobble is typical and acceptable and is not indicative of a defect. Run fan for at least 10 minutes before verifying level of wobble.2. Ensure the electrical outlet box and hanging bracket are securely fastened, as shown in step 1 of assembly.3. Ensure the groove in the hanger ball is properly sitting in the bracket slot; if not, turn hanger ball clockwise until ball drops into the slot, as shown in step 12 of assembly.4. Install the included balancing kit (FF). If undesired movement persists, simply change the location of the balancing kit (FF) until the excess movement ceases.
Remote control is not working.	<ol style="list-style-type: none">1. Ensure plastic tab is removed from the battery compartment.2. Ensure batteries are installed correctly in remote.3. Ensure the remote/receiver are paired. If the batteries are new and the LED indicator light is working, but the fan and/or light are still not working, the remote may have become un-paired. To pair the remote and fan, press the main on/off button on the remote 3 times within one minute.4. Ensure the wires from the receiver are correctly connected to the house wiring and ceiling fan wires, as shown in steps 13, 14 and 15 of assembly.

3-YEAR LIMITED WARRANTY

What is covered

This product is guaranteed to be free of factory defective parts and workmanship for a period of 3 years from date of purchase. Purchase receipt is required for all warranty claims.

What is not covered

This guarantee does not include repair service, adjustment and calibration due to misuse, abuse or negligence. Unauthorized service or modification of the product or of any furnished component will void this warranty in its entirety. This warranty does not include reimbursement for inconvenience, installation, setup time, loss of use, unauthorized service, or return shipping charges. This warranty is not extended to other equipment and components that a customer uses in conjunction with this product.

TECHNICAL SERVICE

If have any questions or problems, please call our customer service department at **888-251-1003**, 8 a.m. - 8 p.m., EST, Monday - Sunday. You may also contact us at ascs@lowes.com.

No service parts available for this product.

Please keep your dated sales receipt, it is required for all warranty requests.



HARBOR BREEZE y el diseño del logotipo son marcas comerciales o marcas registradas de LF, LLC. Todos los derechos reservados.

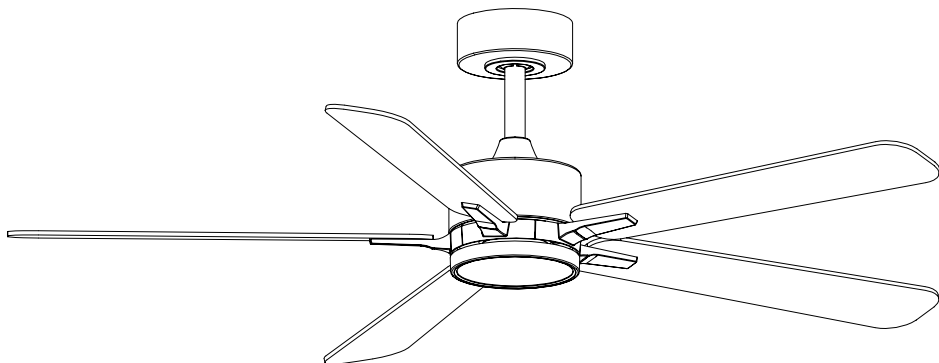
ARTÍCULO #6034476

MODELO #37000153

VENTILADOR DE TECHO NORTHBROOK

English p. 1

ADJUNTE SU RECIBO AQUÍ



Número de serie _____

Fecha de compra _____

Gracias por comprar este producto HARBOR BREEZE.

¿Preguntas, problemas o piezas faltantes?

Antes de volver a la tienda, póngase en contacto al: **888-251-1003**, de lunes a domingo, de 8 a.m. a 8 p.m., hora estándar del Este, o al correo electrónico **ascs@lowes.com**.

SG25884

ÍNDICE

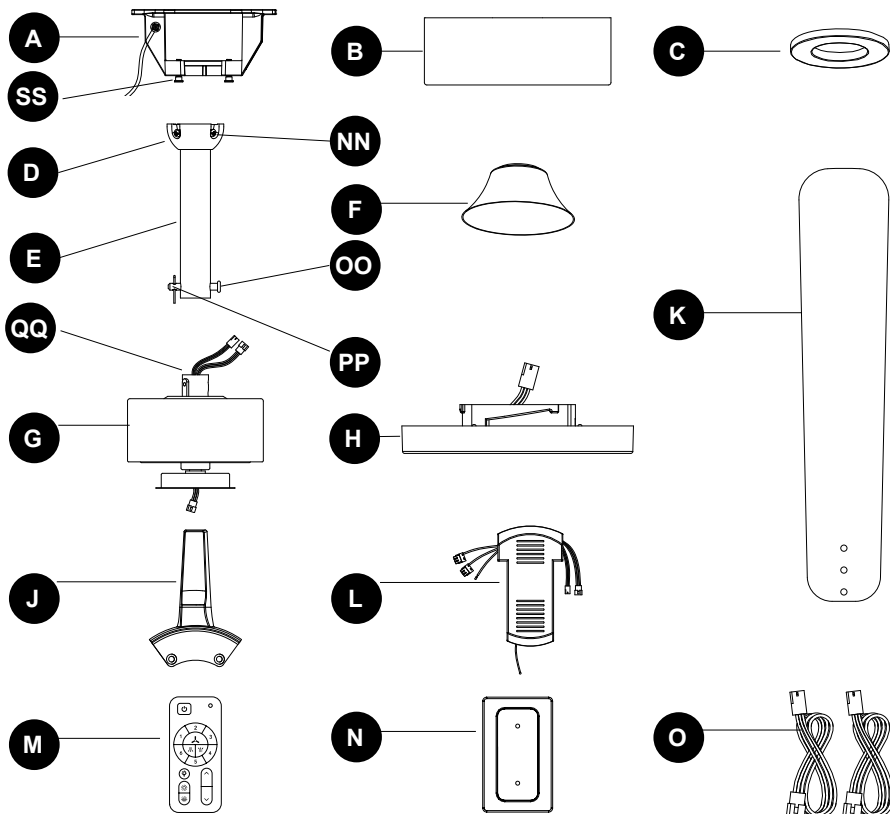
Contenido del paquete.....	25
Aditamentos.....	26
Información de seguridad.....	27
Preparación.....	31
Antes de la instalación.....	31
Instrucciones de instalación.....	32
Funcionamiento del control remoto y el ventilador.....	42
Cuidado y mantenimiento.....	43
Solución de problemas.....	43
Tres años de garantía limitada.....	44
Servicio técnico.....	44

ESPECIFICACIONES DEL PRODUCTO

ESPECIFICACIONES	ESPECIFICACIONES
Control remoto	6 velocidades
Regulable	134,5 m ³ /min., 165 RPM
5 selecciones de color	LED integrado
Funcionamiento silencioso	1200 lúmenes, 80 IPC
Motor de DC	20.000 horas
Motor de 35 W que ahorra energía	132.08 cm de diámetro (completamente ensamblado)
Que ahorra energía	Peso neto del ventilador: 4.42 kg/9.74 lb

Modelo	Grosor mínimo de los bordes de las aspas (mm/pulg.)	Largo de las aspas (cm/pulg.)	RPM	Velocidad en la punta de las aspas (pies/s, m/s)
37000153	5.59 mm (0.22 pulg.)	55.4 cm (21.81 pulg.)	165	11.41 m/s (37.43 pies/s)

CONTENIDO DEL PAQUETE



PIEZA	DESCRIPCIÓN	CANT.
A	Soporte de montaje	1
SS	Tornillos para soporte de montaje (preensamblados en el soporte de montaje [A])	2
B	Base	1
C	Anillo magnético de la base	1
D	Bola para colgar (preensamblada en la varilla [E])	1
NN	Tornillos de bola para colgador (preensamblados en la bola para colgar [D])	2
OO/PP	Pasador de bloqueo de la varilla y pasador para colgar (preensamblados en la varilla [E])	2
E	Varilla	1
F	Cubierta decorativa	1

PIEZA	DESCRIPCIÓN	CANT.
G	Carcasa del motor	1
QQ	Tornillos de fijación (preensamblados en la carcasa del motor [G])	2
H	Kit de luz	1
J	Brazo del aspa	5
K	Aspa	5
L	Recibidor del control remoto	1
M	Control remoto	1
N	Placa trasera para control remoto	1
O	Conductores adicionales de 76.2cm para varillas mas larga que se compran por separado	2

ADITAMENTOS

AA



Empalme
plástico

Cant. 2

BB



Tornillos para las
aspas

Cant. 16

CC



Arandelas para
los tornillos para
las aspas

Cant. 16

DD



Tornillos del
brazo de las
aspas

Cant. 11

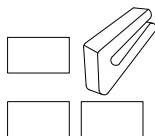
EE



Anclas de
expansión para
tornillo de la
placa posterior de
control remoto

Cant. 2

FF



Kit de equilibrio

Cant. 1

GG



Tornillos de la
placa posterior de
control remoto

Cant. 2

HH



Tornillos de la
caja de conexiones
adicional
#8-32 x 1 pulg.
(2.54 cm)

Cant. 2

II



Tornillos de la
caja de conexiones
adicional
#10-24 x 1 pulg.
(2.54 cm)

Cant. 2

JJ



Arandelas para
los tornillos de
la caja de
conexiones #8-32

Cant. 2

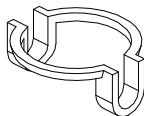
KK



Arandelas para
los tornillos de la
caja de conexiones
#10-24

Cant. 2

LL



Inserto para la
varilla de la bola
para colgar

Cant. 1

MM



Tornillos para la
varilla de la bola
para colgar

Cant. 2

YY



Pasador cruzado
para la varilla
de la bola para
colgar

Cant. 1

INFORMACIÓN DE SEGURIDAD

Lea y comprenda completamente este manual antes de intentar ensamblar, usar o instalar el producto.

ADVERTENCIA

La mayoría de los accidentes eléctricos son causados por descuidos o ignorancia. Si combina un conocimiento básico con un poco de respeto por la electricidad y una dosis de sentido común, se pueden abordar con seguridad muchas reparaciones eléctricas domésticas. A continuación encontrará algunas pautas básicas para trabajar con electricidad:

- Antes de trabajar en un circuito, vaya al panel de servicio principal y retire el fusible o desconecte el interruptor que controla ese circuito. Pegue un letrero en el panel para advertir a otras personas que no toquen el circuito mientras usted trabaja.
- Antes de tocar cualquier conductor, use un medidor de voltaje para asegurarse de que no tenga corriente.
- Cuando verifique el voltaje en un tomacorriente, revise las dos salidas, ya que cada una podría estar controlada por un circuito de cableado separado.
- Al reemplazar los fusibles, primero desconecte el suministro principal de electricidad. Asegúrese de que sus manos y pies estén secos y coloque una mano detrás de su espalda para evitar que la electricidad haga un circuito completo a través de su pecho.
- Toque el fusible de un enchufe sólo en su borde aislado. Retire los fusibles del cartucho con un extractor de fusibles.
- Utilice herramientas con mangos aislados y escaleras de madera o de fibra de vidrio.
- Mantenga extintores de incendios de polvo químico seco en la cocina, sótano y taller.
- Nunca desactive los dispositivos de puesta a tierra. Asegúrese de que todos los electrodomésticos que requieren una puesta a tierra estén debidamente conectados a tierra y que el sistema eléctrico mismo también tenga la puesta a tierra adecuada.
- Cumpla o supere todos los requerimientos del código eléctrico que cubren el trabajo que está haciendo.
- Siempre trabaje con luz suficiente para ver lo que está haciendo. Es fácil cometer errores cuando se trabaja con una luz tenue.

Si tiene dudas, consulte con un electricista calificado.

INFORMACIÓN DE SEGURIDAD

ADVERTENCIA

- Asegúrese de que las pilas estén instaladas de manera correcta según la polaridad (+ y -).
- Retire y recicle o deseche de inmediato las pilas usadas de acuerdo con las regulaciones locales y manténgalas fuera del alcance de los niños. No deseche las pilas en la basura doméstica ni las incinere.
- No incinere las pilas. Las pilas podrían explotar o filtrarse.
- Incluso las pilas usadas pueden causar lesiones graves o la muerte.
- Llame a un centro de control de envenenamientos local para recibir información de tratamiento.
- Pila reemplazable CR2032 de 3V.
- Las pilas que no son recargables no deben recargarse.
- No fuerce la descarga, recargue, desmonte, incinere ni caliente las pilas por encima de los (60 °C). Hacerlo puede provocar lesiones debido a la ventilación, filtraciones o explosiones que provoquen quemaduras químicas
- No mezcle pilas antiguas y nuevas, ni diferentes marcas o tipos, como alcalinas, carbono-zinc o pilas recargables.
- Retire y recicle o deseche de inmediato las pilas de los equipos que no se utilicen durante un período prolongado de acuerdo con las regulaciones locales.
- Siempre vuelva a asegurar el compartimento de las pilas. Si el compartimento de la pila no se cierra de forma segura, deje de usar el producto, retire las pilas y manténgalas fuera del alcance de los niños.

ADVERTENCIA

- **PELIGRO DE INGESTIÓN:** este producto contiene una pila de celda o de botón.
- **MUERTE:** si se ingiere puede producirse la muerte o lesiones graves.
- Un pila de celda o de botón ingerida puede provocar una reacción **quemaduras químicas internas** en tan solo **2 horas**.
- **MANTENGA** las pilas nuevas y usadas **FUERA DEL ALCANCE DE LOS NIÑOS**.
- **Busque asistencia médica de inmediato** si se sospecha que se ha tragado o introducido una pila en cualquier parte del cuerpo.



ADVERTENCIA

PELIGRO DE INGESTIÓN

Este producto contiene una pila de botón o pila plana.

ADVERTENCIA

LEA Y GUARDE ESTAS INSTRUCCIONES.

La mayoría de los accidentes eléctricos son causados por descuidos o ignorancia. Si combina un conocimiento básico de electricidad, un respeto saludable por ésta y una dosis de sentido común, podrá abordar varias reparaciones eléctricas del hogar de manera segura. A continuación encontrará algunas pautas básicas para trabajar con electricidad:

- Antes de trabajar en un circuito, vaya al panel de servicio principal y retire el fusible o desconecte el interruptor que controla ese circuito. Pegue un letrero en el panel para advertir a otras personas que no toquen el circuito mientras usted trabaja.
- Antes de tocar cualquier conductor, use un medidor de voltaje para asegurarse de que no tenga corriente.
- Cuando verifique el voltaje en un tomacorriente, revise las dos salidas, ya que cada una podría estar controlada por un circuito de cableado separado.
- Al reemplazar los fusibles, primero desconecte el suministro principal de electricidad. Asegúrese de que sus manos y pies estén secos y coloque una mano detrás de su espalda para evitar que la electricidad haga un circuito completo a través de su pecho. Toque el fusible de un enchufe sólo en su borde aislado. Retire los fusibles del cartucho con un extractor de fusibles.
- Utilice herramientas con mangos aislados y escaleras de madera o de fibra de vidrio.
- Mantenga extintores de incendios de polvo químico seco en la cocina, sótano y taller.
- Nunca desactive los dispositivos de puesta a tierra. Asegúrese de que todos los electrodomésticos que requieren una puesta a tierra estén debidamente conectados a tierra y que el sistema eléctrico mismo también tenga la puesta a tierra adecuada.
- Cumpla o supere todos los requerimientos del código eléctrico que cubren el trabajo que está haciendo.
- Siempre trabaje con luz suficiente para ver lo que está haciendo. Es fácil cometer errores cuando se trabaja con una luz tenue.
- Si tiene dudas, consulte con un electricista calificado.

Cualquier cambio o modificación a esta unidad que no estén expresamente aprobados por la parte responsable del cumplimiento con las regulaciones podría anular la autorización del usuario para utilizar el equipo

Este dispositivo cumple con la sección 15 de las reglas FCC. Su funcionamiento está sujeto a las siguientes condiciones: (1) este dispositivo no debe causar interferencia perjudicial, y (2) debe aceptar cualquier interferencia recibida, incluida la interferencia que pudiese causar un funcionamiento no deseado.

Este dispositivo contiene transmisores y receptores exentos de licencia que cumplen con los RSS exentos de licencia de Innovación, Ciencia y Desarrollo Económico (ISED) de Canadá.

Su funcionamiento está sujeto a las siguientes condiciones: (1) este dispositivo no debe causar interferencia perjudicial y (2) este dispositivo debe aceptar cualquier interferencia recibida, incluida la interferencia que pudiese causar un funcionamiento no deseado.

Se ha evaluado este equipo y se ha verificado que cumple con los requisitos de exposición a radiofrecuencias.

NOTA:

Este equipo está probado y se verificó que cumple con los límites para un dispositivo digital clase B, conforme a la sección 15 de las reglas de la FCC. Estos límites están diseñados para proporcionar protección razonable contra interferencias perjudiciales en una instalación residencial. Este equipo genera, utiliza y puede irradiar energía de radiofrecuencia y, si no se instala ni se usa de acuerdo con las instrucciones, puede causar interferencias perjudiciales para las comunicaciones de radio. Sin embargo, no se garantiza que no se producirán interferencias en una instalación en especial. Si este equipo causa interferencia perjudicial a la recepción de radio o televisión, lo que se puede determinar al apagar y encender el equipo, se recomienda al usuario que intente corregir la interferencia con una o más de las siguientes medidas:

- Reorientar o reubicar la antena de recepción.
- Aumentar la separación entre el equipo y el receptor.
- Conectar el equipo a un tomacorriente de un circuito distinto al que usa el receptor.
- Solicitar ayuda al distribuidor o a un técnico con experiencia en radio/TV.

ADVERTENCIA

Parte responsable de la FCC:

Globe Electric

Dirección: 2264 East 6th Street, San Bernardino, CA 92410

www.globe-electric.com

CAN ICES (B) / NMB (B)

ADVERTENCIA: para reducir el riesgo de incendios o descargas eléctricas, no use este ventilador con dispositivos de control de velocidad de estado sólido.

ADVERTENCIA: para reducir el riesgo de lesiones personales, no doble las abrazaderas de las aspas al instalarlas, equilibrar las aspas o limpiar el ventilador. No introduzca objetos extraños entre las aspas en movimiento.

ADVERTENCIA: para reducir el riesgo de incendio, descarga eléctrica o lesiones personales, móntelo en una caja de salida marcada como apta para sostener ventiladores de 15.9/22.7/31.8 kg (35/50/70 lb) o menos, y use los tornillos de montaje provistos con la caja de salida.

PRECAUCIÓN: para reducir el riesgo de descarga eléctrica, desconecte el circuito de suministro de electricidad que va hacia el ventilador antes de instalar el kit de iluminación.

PREPARACIÓN

Antes de comenzar a ensamblar el producto, asegúrese de tener todas las piezas. Compare las piezas con la lista del contenido del paquete y la lista de aditamentos. No intente ensamblar, instalar ni operar el producto si falta alguna pieza o si estas están dañadas.

Tiempo estimado de ensamblaje: 15 a 30 minutos

Herramientas necesarias para el ensamblaje (no incluidas): destornilladores Phillips, pinzas cortacables, cinta aislante y escalera de tijera.

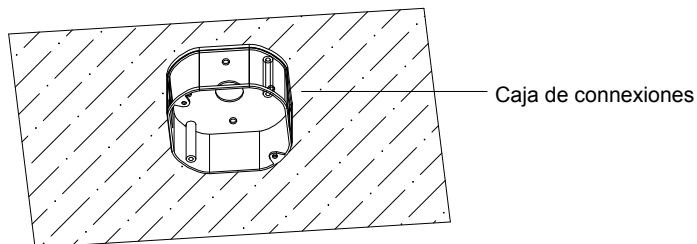
NOTA: No utilice herramientas eléctricas para la instalación para evitar dañar los tornillos/piezas.

ANTES DE LA INSTALACIÓN

El ventilador debe poder asegurarse a una caja de salida apta para ventiladores. Si no hay ninguna disponible, póngase en contacto con un electricista calificado para gestionar la instalación.

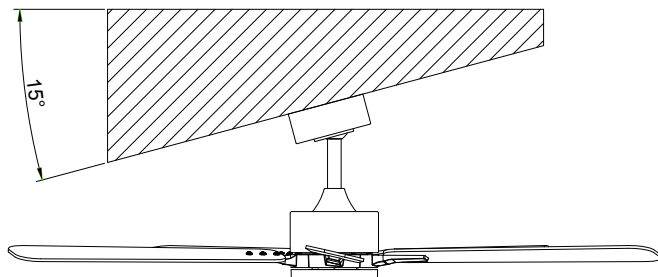
ADVERTENCIA

- Para reducir el riesgo de incendios, descargas eléctricas o lesiones corporales, monte el ventilador en la caja de salida marcada como “apta para soportar ventiladores de 15.9/22.7/31.8 kg. (35/50/70 lbs.) o menos” y utilice los tornillos de montaje que se proporcionan con la caja de conexiones.



NOTA:

- El ventilador se puede montar en un techo inclinado hasta un ángulo máximo de 15 grados.



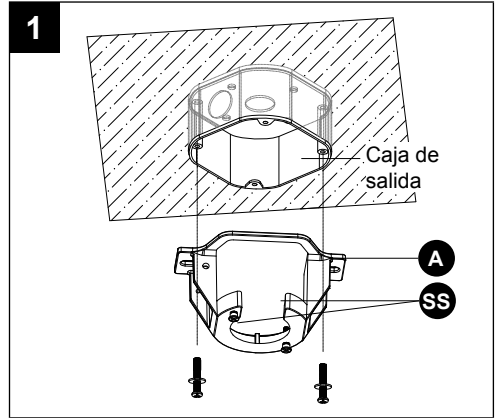
INSTRUCCIONES DE INSTALACIÓN

1. Instalación del soporte de montaje en la caja de salida.

Asegure el soporte de montaje (A) a la caja de salida con los tornillos y las arandelas que incluyen la caja de salida.

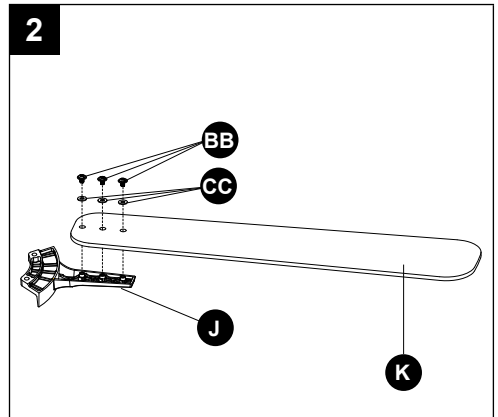
Afloje (no retire) los 2 tornillos (SS) del soporte de montaje.

NOTA: Tornillos adicionales para la caja de conexiones #8-32 x 1 pulg. (2.54 cm) con arandelas (HH/JJ), y tornillos #10-24 x 1 pulg. (2.54 cm) con arandelas (II/KK) que se encuentran en la bolsa "AA" incluida, si se necesitan.



2. Fije el asa al brazo de la aspa.

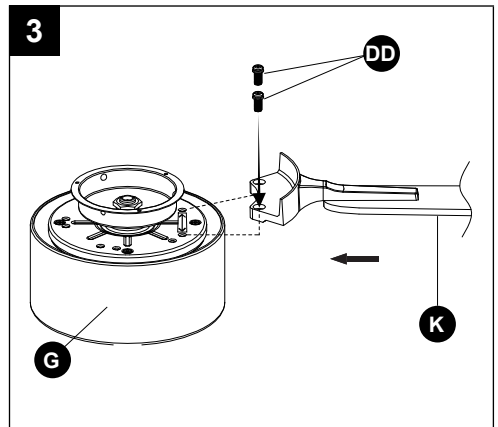
Asegure el brazo de las aspas (J) a las aspas (K) utilizando los tornillos para las aspas (BB) y las arandelas (CC) de la bolsa de accesorios "BBB". Repita con las otras 4 aspas.



3. Fije las aspas ensambladas con la carcasa del motor.

Alinee las aspas ensambladas (K) con la carcasa del motor (G) entre las 2 flechas, como se muestra, y fíjela utilizando los tornillos del brazo de la aspa (DD) de la bolsa de accesorios "BB". Repita los pasos para ensamblar los 4 brazos de aspas restantes.

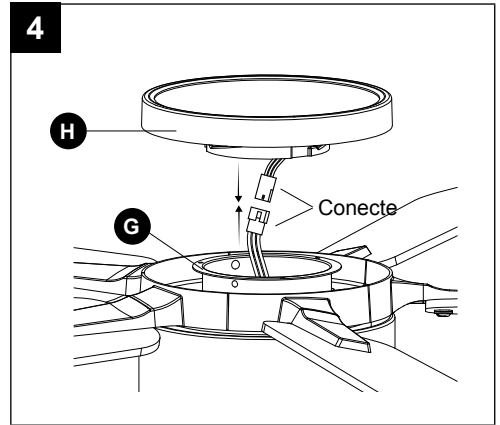
NOTA: El interior de la caja del ventilador de techo puede utilizarse para estabilizar el ventilador y evitar posibles daños.



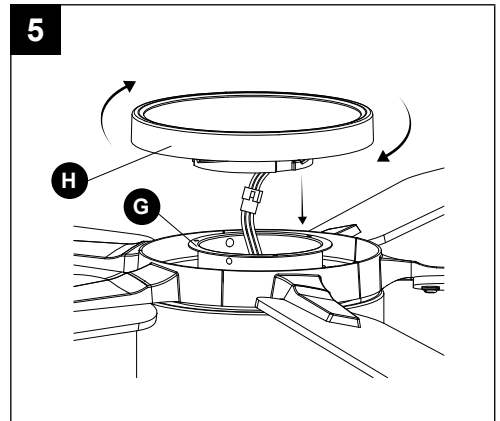
INSTRUCCIONES DE INSTALACIÓN

4. Conexión del kit de luz.

Conecte los cables del kit de luz (H) a los cables de la carcasa del motor (G).



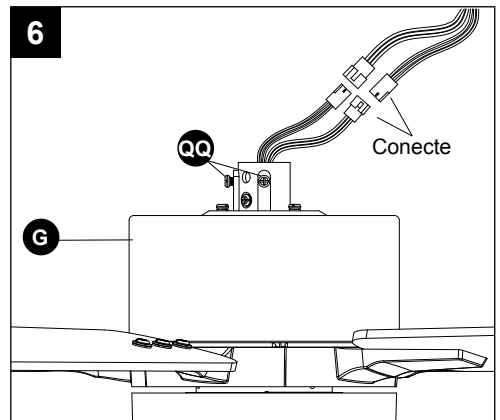
5. Asegure el kit de luz (H) a la carcasa del motor (G) girando en dirección de las manecillas del reloj hasta que quede firme.



6. Prepare la carcasa del motor para la instalación de la varilla.

Dé la vuelta al ventilador y afloje los 2 tornillos de fijación (QQ) en la carcasa del motor (G).

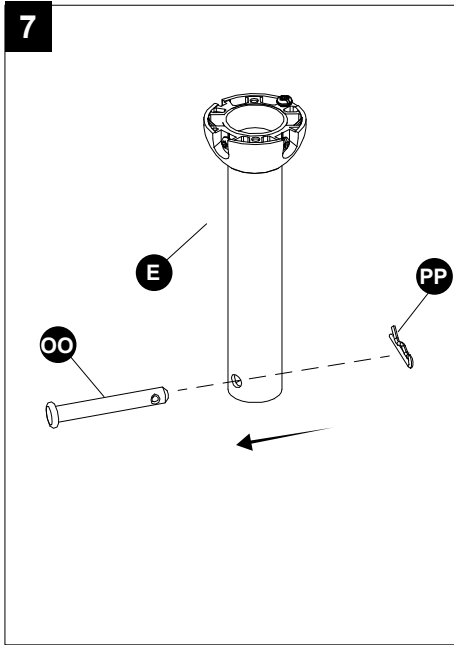
NOTA: Si usted está utilizando una varilla más larga (no incluida, y debe comprarse por separado), conecte los cables adicionales de 30 pulg. (O) a la carcasa del motor (G) antes de instalar la varilla más larga.



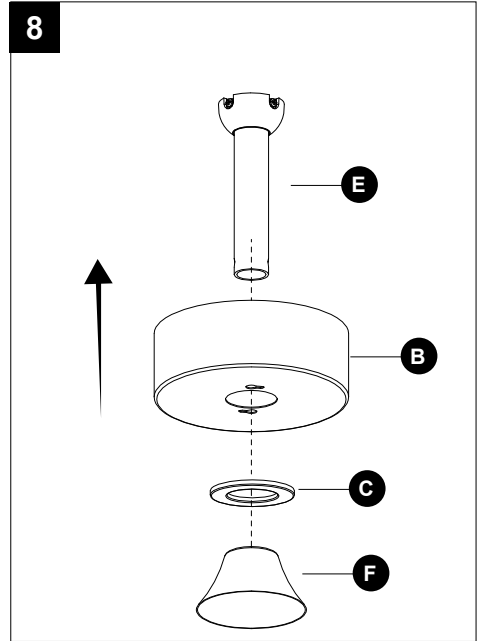
INSTRUCCIONES DE INSTALACIÓN

Continúe con los pasos 7 y 8 para instalar la varilla incluida.

7. Retire el pasador de bloqueo (PP) y el pasador para colgar (OO) de la varilla (E)



8. Deslice la base (B) y el anillo magnético de la base (C), ambos orientados hacia arriba, sobre la varilla (E). Luego, deslice la cubierta decorativa (F) sobre la varilla mirando hacia abajo.

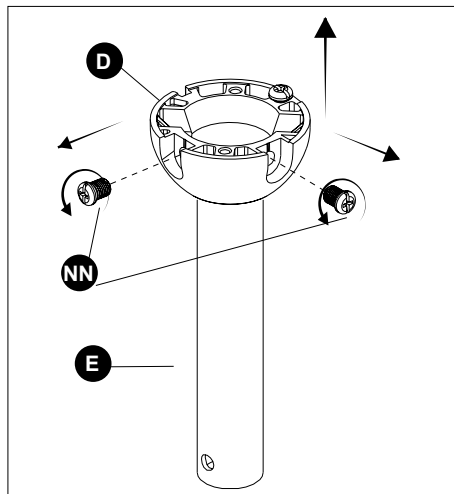


INSTRUCCIONES DE INSTALACIÓN

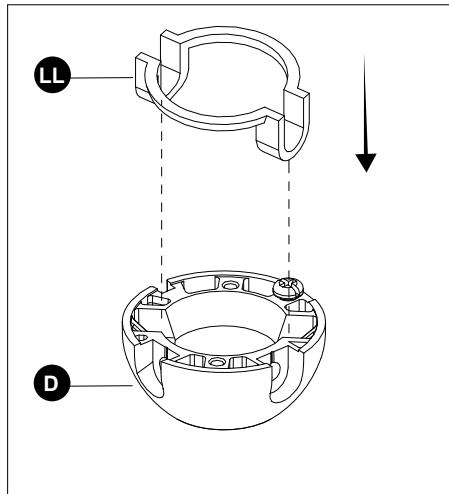
SI ESTÁ UTILIZANDO UNA VARILLA MÁS LARGA, CONTINÚE CON LOS SIGUIENTES PASOS.

(No está incluida, y debe comprarse por separado).

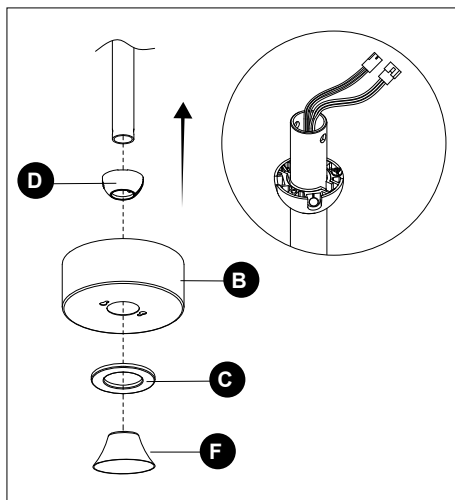
Retire los tornillos de la bola para colgar (NN), luego deslice la bola para colgar (D) fuera de la varilla incluida (E).



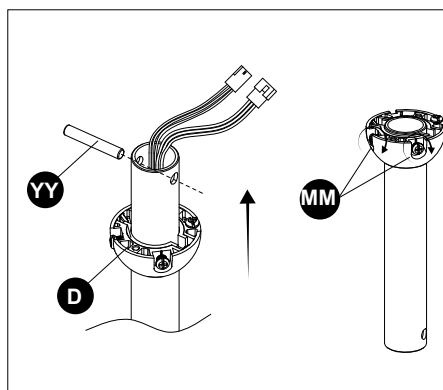
Coloque el inserto (LL) que se encuentra en la bolsa "CC" dentro de la bola para colgar (D).



Deslice la bola para colgar (D), la base (B) y el anillo magnético de la base (C) sobre la varilla más larga, ambos orientados hacia arriba. Luego, deslice la cubierta decorativa (F) sobre la varilla hacia abajo. Por último, pase con cuidado los cables de la carcasa del motor a través de la varilla más larga, tal como se muestra.



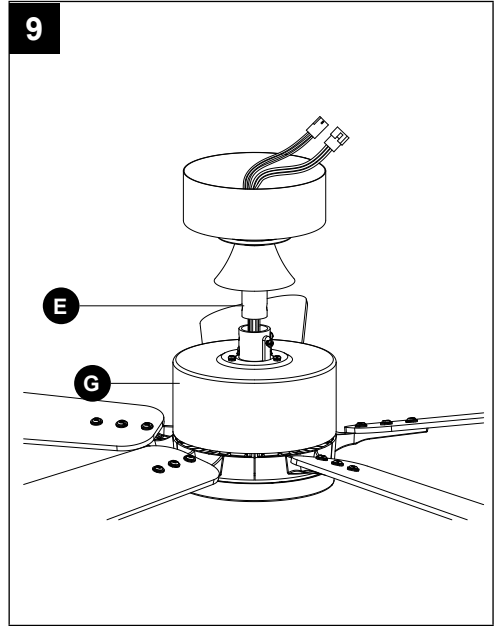
Inserte el pasador cruzado (YY) que se encuentra en la bolsa "CC" en el orificio grande en la parte superior de la varilla. Deslice la bola para colgar (D) hacia arriba para asegurar el pasador cruzado (YY) dentro de la bola para colgar. Asegurese de que los orificios de los tornillos estén alineados correctamente utilizando los tornillos (MM) que se encuentran en la bolsa "CC" y atornille ambos tornillos. Continúe con el paso 9.



INSTRUCCIONES DE INSTALACIÓN

9. Ensamblaje de la varilla a la carcasa del motor.

Pase con cuidado los conductores de la carcasa del motor (G) hacia arriba a través de la varilla (E).



10. Inserte la varilla (E) en la carcasa del motor (G) y alinee los orificios. Vuelva a instalar el pasador para colgar (OO), asegúrelo con el pasador de bloqueo (PP) y apriete los tornillos de fijación (QQ).

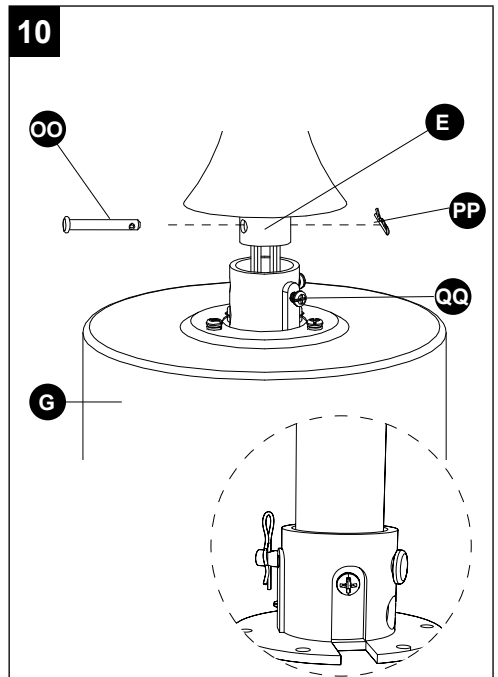
NOTA: Si siente resistencia al empujar el pasador para colgar, empuje hacia abajo o a un lado los cables.

PRECAUCIÓN

- Para evitar daños y garantizar un funcionamiento sin tambaleo, los tornillos se deben apretar completamente hasta sentir resistencia.

⚠ ADVERTENCIA

- Si no se instala correctamente el pasador de bloqueo de la carcasa del motor, el ventilador podría aflojarse y posiblemente caerse.



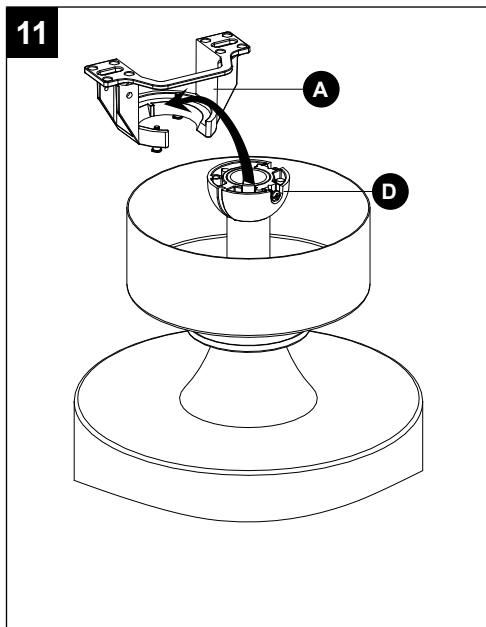
INSTRUCCIONES DE INSTALACIÓN

11. Instalar el ventilador ensamblado en el soporte de montaje.

Levante el ventilador ensamblado hacia el soporte de montaje colocando la bola para colgar (D) en la abertura del soporte de montaje (A).

PRECAUCIÓN

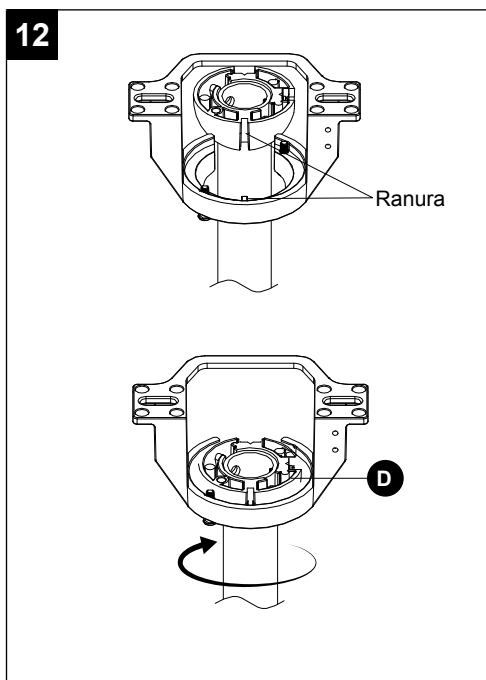
- Para evitar dañar el ventilador, levántelo siempre por la varilla o la carcasa del motor



12. Gire el ventilador ensamblado hasta que la ranura de la bola para colgar se alinee y encaje en la ranura del soporte de montaje y quede firmemente asentada. La bola para colgar (D) no debería girar si esto se hace correctamente.

PRECAUCIÓN

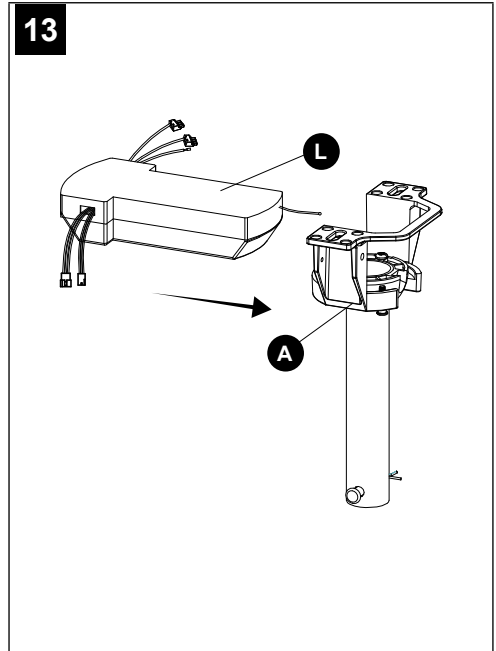
- Si no se alinea la ranura de la bola con la cuña, podría producirse tambaleo..



INSTRUCCIONES DE INSTALACIÓN

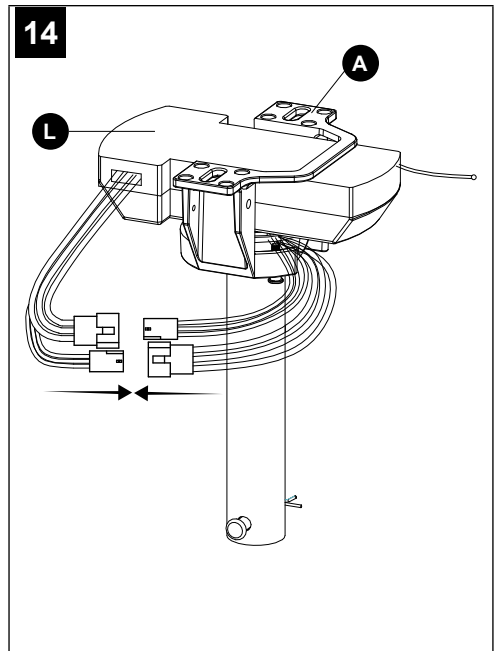
13. Cablee el ventilador.

Inserte el receptor (L) en el soporte de montaje (A), tal como se muestra.



14. Conexión de los cables de la carcasa del motor a los cables del receptor.

Conecte los 2 conectores del receptor (L) a los conectores de la carcasa del motor, haciendo coincidir los colores de los cables. El negro, el rojo y el blanco se conectan con otros cables del mismo color, y el rojo, el amarillo y el blanco se conectan con otros cables del mismo color.



INSTRUCCIONES DE INSTALACIÓN

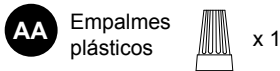
15. Conecte los conductores del techo a los conductores del receptor de la siguiente manera: Inserte el cable con corriente (negro) del techo en uno de los orificios libres de la conexión rápida del cable negro del receptor y empuje el cable hasta el fondo. Jale suavemente del conductor para asegurarse de que esté bien sujeto al conector.
- Inserte el cable neutral (blanco) del techo en uno de los orificios libres de la conexión rápida del cable blanco del receptor y empuje el cable hasta el fondo. Jale suavemente del conductor para asegurarse de que esté bien sujeto al conector.
- Conecte todos los conductores de puesta a tierra al conductor de puesta a tierra del techo, como se muestra a continuación, con la tuerca mariposa (AA) que se encuentra en la bolsa de accesorios "AA" y envuélvalos con cinta aislante. Si su techo no tiene un cable de puesta a tierra, consulte con un electricista calificado.

NOTA: Después de conectar los conductores, sepárelos de modo que los conductores de puesta a tierra y blanco queden a un lado y los conductores negros al otro lado.

⚠ ADVERTENCIA

- Todo el cableado debe cumplir con el Código Eléctrico Nacional, ANSI/NFPA 70. Si los conductores en el sitio de instalación son de otro color que los que se indican aquí, haga que un electricista calificado instale este ventilador.
- El ventilador de techo debe estar conectado a tierra. Si no hay un conductor de tierra presente en el lugar de instalación (por ejemplo, desde el techo), DETENGA la instalación inmediatamente y consulte a un electricista calificado.

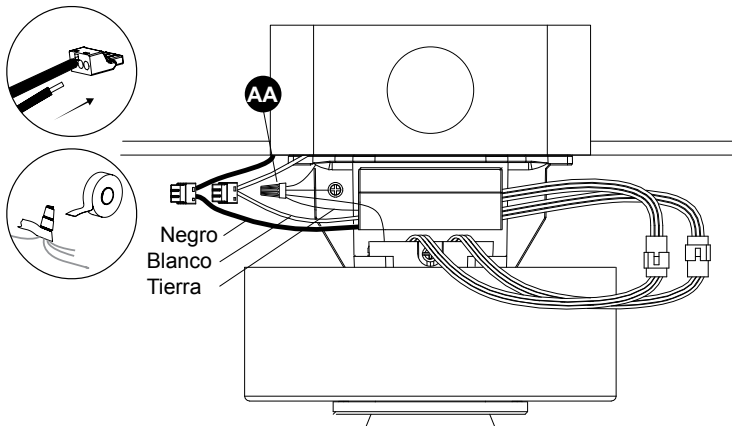
Aditamentos utilizados



PRECAUCIÓN

- Para reducir el riesgo de descarga eléctrica, desconecte el circuito de suministro eléctrico del ventilador antes de realizar el cableado. Si considera que su conocimiento o experiencia en cableado eléctrico no es suficiente, comuníquese con un electricista calificado.
- No instale el producto en una ubicación mojada.

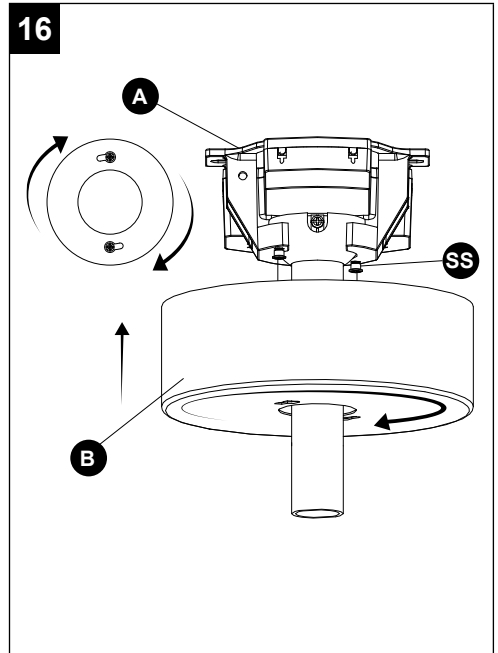
15



INSTRUCCIONES DE INSTALACIÓN

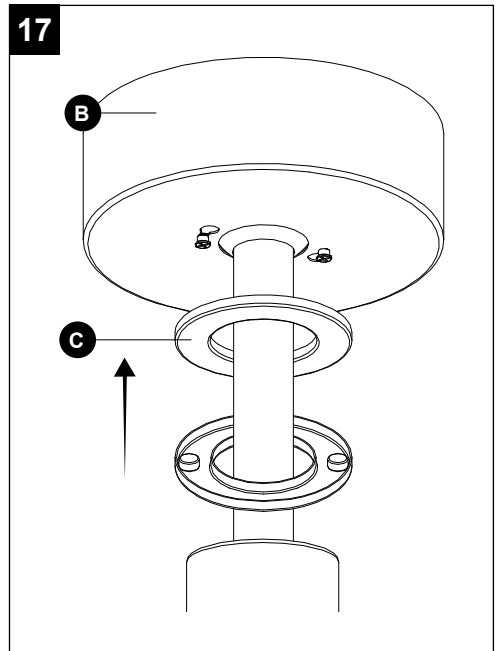
16. Fije la base.

Fije la base (B) al soporte de montaje (A) alineando los tornillos del soporte de montaje (SS) con los orificios de la cerradura de la base y gire, luego apriete los tornillos del soporte de montaje (SS).



17. Fije el anillo magnético de la base en la base.

Levante el anillo magnético de la base (C) hacia arriba para fijarlo a la base (B).



Aditamentos utilizados

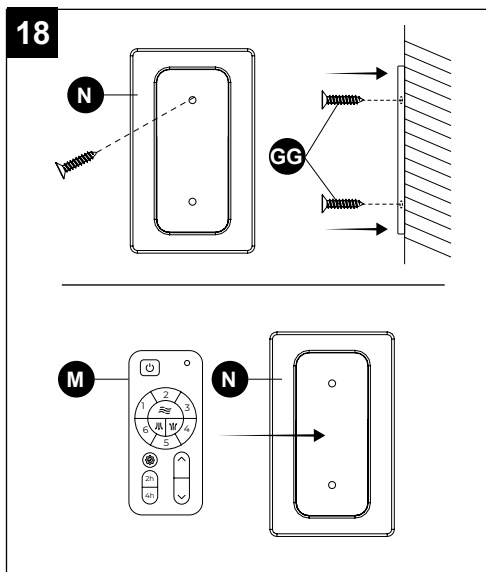
EE Anclas de expansión para tornillos EE anclas de expansión para tornillos de la placa x 2



GG Anclas de expansión para tornillos GG tornillo de la placa x 2



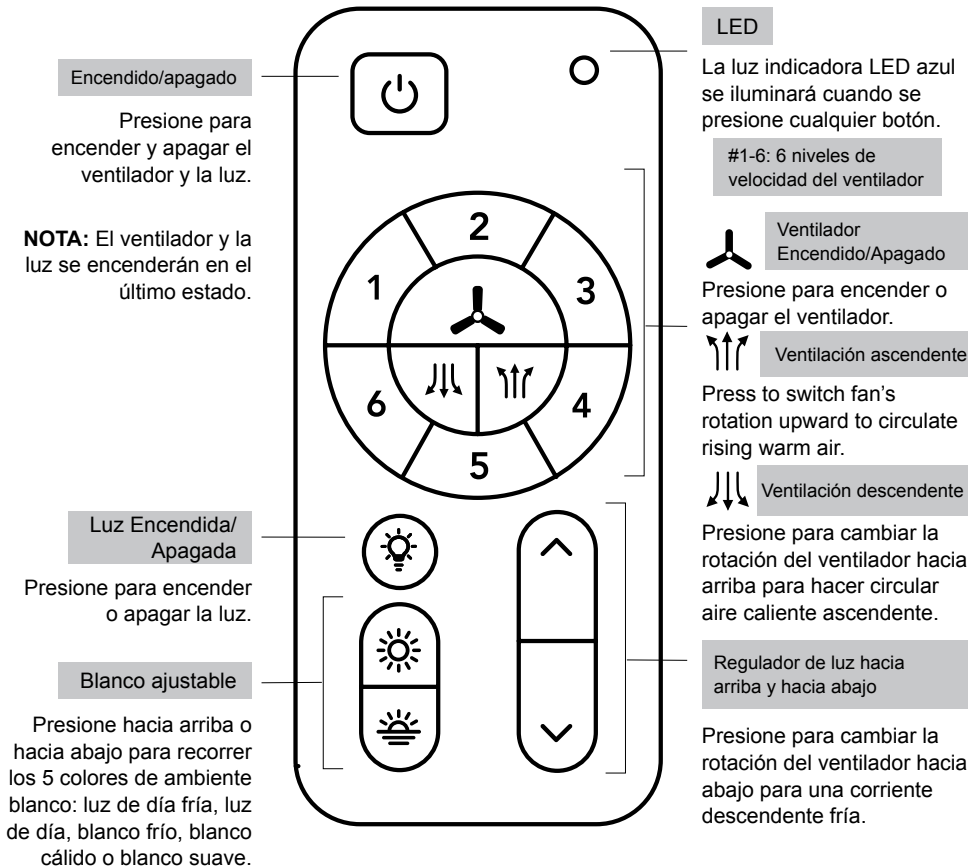
18. Asegure la placa posterior del control remoto (N) a la ubicación preferida con las anclas de expansión para tornillos (EE) y los tornillos (GG) que se encuentran en la bolsa de accesorios de aditamentos. Una vez que la placa posterior (N) esté bien de forma segura coloque el control remoto (M) en la placa posterior (N) para mantenerlo en su lugar.



FUNCIONAMIENTO DEL CONTROL REMOTO Y EL VENTILADOR

Nombre del modelo remoto: **Control Remoto 304**

Número de modelo del control remoto: GL37152



NOTA: El control remoto usa 1 batería de botón CR2032 (incluida). Retire la lengüeta de plástico de la cubierta de las baterías antes de usar el control remoto. Al reemplazar la batería, asegúrese de que la cubierta de la batería esté completamente cerrada (escuchará un click).

NOTA: Se ha evaluado este equipo y se ha verificado que cumple con los requisitos de exposición a radiofrecuencias. El dispositivo puede usarse en condiciones de exposición portátiles sin restricciones.

Este equipo cumple con los límites de exposición a la radiación de FCC establecidos para un entorno no controlado

CUIDADO Y MANTENIMIENTO

- El movimiento natural del ventilador puede causar que se suelten algunas conexiones. Un ruido de clic o traqueteo es una señal segura de que los tornillos se están aflojando. Revise las conexiones de soporte, los soportes y la fijación de las aspas dos veces al año y apriete todos los tornillos según sea necesario.
- Asegúrese de desconectar el ventilador del suministro de electricidad antes de realizarle mantenimiento o limpieza.
- Limpie el ventilador periódicamente. Utilice únicamente un paño húmedo, nunca utilice solventes y remueva el polvo con un paño suave o un cepillo.
- Nunca necesitará engrasar el ventilador; su cojinete sellado permanentemente evitará el ruido.
- No opere el producto cuando esté dañado. Deseche el ventilador o llévelo a un local de servicio autorizado para una inspección o reparación.
- El vataje total de la lámpara es de 18 vatios; no intente reemplazar la luz LED.

SOLUCIÓN DE PROBLEMAS

PROBLEMA	SOLUCIÓN
El ventilador no encienden.	<ol style="list-style-type: none">1. Asegúrese de que el interruptor de pared esté encendido.2. Compruebe todos los fusibles e interruptores de circuito.3. Desconecte la alimentación eléctrica y asegúrese de que el cableado sea correcto y que los conectores estén asegurados, como se muestra en los pasos 13, 14 y 15 del ensamblaje.4. Confirme que el control remoto esté funcionando; la luz indicadora LED debe iluminarse cuando se presiona cualquier botón.5. Si el ventilador continúa sin encender, comuníquese con un electricista calificado. No intente solucionar usted mismo problemas de conexiones eléctricas internas.
El ventilador es ruidoso.	<ol style="list-style-type: none">1. Deje transcurrir un período de “adaptación” de 24 horas. Cualquier nivel de ruido más alto que los niveles del ambiente deberían desaparecer durante ese tiempo.2. Revise la caja de salida de corriente eléctrica y asegúrese de que esté bien fijada.3. Revise todos los tornillos y las conexiones de conductores en el ventilador para asegurarse de que estén bien firmes.4. El uso de un regulador de luz o un control de pared no aprobados puede provocar que el ventilador funcione de forma irregular y que produzca ruido excesivo. Compruebe que, si está instalado, el control de pared esté aprobado para el uso con el ventilador de techo; sin embargo, no se recomienda usar un regulador de intensidad con el ventilador.
El ventilador se mueve hacia atrás y hacia adelante cuando se enciende.	<ol style="list-style-type: none">1. Este es un procedimiento de arranque normal para ventiladores con motor de CC. El movimiento parcial durante el arranque es el resultado de los polos magnéticos la alineación interna del motor de CC para el correcto funcionamiento del motor. Este diseño ahorra electricidad y permite que el ventilador funcione mucho más silenciosamente que los ventiladores con motor de CA estándar.
El ventilador no mueve mucho aire.	<ol style="list-style-type: none">1. Verifique la dirección de las aspas del ventilador cuando esté en funcionamiento. Si es necesario, cambie la dirección de las aspas del ventilador para garantizar que el ventilador de techo mueva aire en la dirección deseada.2. Asegúrese de que no haya artículos domésticos que obstruyan el flujo de aire del ventilador de techo.3. Verifique que el ventilador de techo sea apropiado para el tamaño de la habitación en la que está instalado.

SOLUCIÓN DE PROBLEMAS (CONTINUACIÓN)

PROBLEMA	SOLUCIÓN
El ventilador tiembla o se tambalea.	<ol style="list-style-type: none">1. Una tambaleo leve es normal y aceptable, por lo que no es indicativo de un defecto. Haga funcionar el ventilador durante al menos 10 minutos antes de verificar el nivel de tambaleo.2. Asegúrese de que la caja de salida eléctrica y el soporte para colgar estén bien sujetos, como se muestra en el paso 1 del ensamblaje.3. Asegúrese de que la ranura de la bola para colgar esté colocada correctamente en la ranura del soporte; de lo contrario, gire la bola para colgar en dirección de las manecillas del reloj hasta que la bola caiga en la ranura, como se muestra en el paso 12 del ensamblaje.4. Instale el kit de equilibrio (FF) incluido. Si persiste el movimiento no deseado, simplemente cambie la ubicación del kit de equilibrio (FF) hasta que el exceso de movimiento cese.
El control remoto no funciona.	<ol style="list-style-type: none">1. Asegúrese de quitar la lengüeta de plástico del compartimiento de la pila.2. Asegúrese de que las pilas estén instaladas correctamente en el control remoto.3. Asegúrese de que el control remoto y el receptor estén emparejados. Si las pilas son nuevas y la luz indicadora LED está funcionando, pero el ventilador o la lámpara aún no funcionan, es posible que el control remoto se haya desvinculado. Para emparejar el control remoto y el ventilador, presione el botón principal de encendido y apagado en el control remoto 3 veces en un minuto.4. Asegúrese de que los conductores del receptor estén conectados correctamente al cableado de la casa y a los conductores del ventilador de techo, como se muestra en los pasos 13, 14 y 15 del ensamblaje.

GARANTÍA LIMITADA DE 3 AÑOS

Lo que está cubierto

Se garantiza que este producto estará libre de defectos de fábrica en las piezas y la mano de obra durante un período de 3 años desde la fecha de compra. Todas las reclamaciones de garantía requieren un recibo de compra.

¿Qué no cubre?

Esta garantía no incluye servicio de reparación, ajuste y calibración por mal uso, abuso o negligencia. La reparación no autorizada o la modificación del producto o de cualquiera de los componentes suministrados anularán esta garantía en su totalidad. Esta garantía no incluye reembolso por inconvenientes, instalación, tiempo de instalación, pérdida de uso, servicio no autorizado o cargos de envío de devolución. Esta garantía no se extiende a otros equipos y componentes que un cliente utiliza junto con este producto.

SERVICIO TÉCNICO

Si tiene alguna pregunta o problema, llame a nuestro Departamento de Servicio al Cliente al **888-251-1003**, de lunes a domingo de 8 a.m. a 8 p.m., hora estándar del Este. También puede ponerse en contacto con nosotros a través de ascs@lowes.com.

No hay piezas de recambio disponibles para este producto.

Guarde su recibo de compra con fecha, se requiere para todos los pedidos de la garantía.

Impreso en Camboya