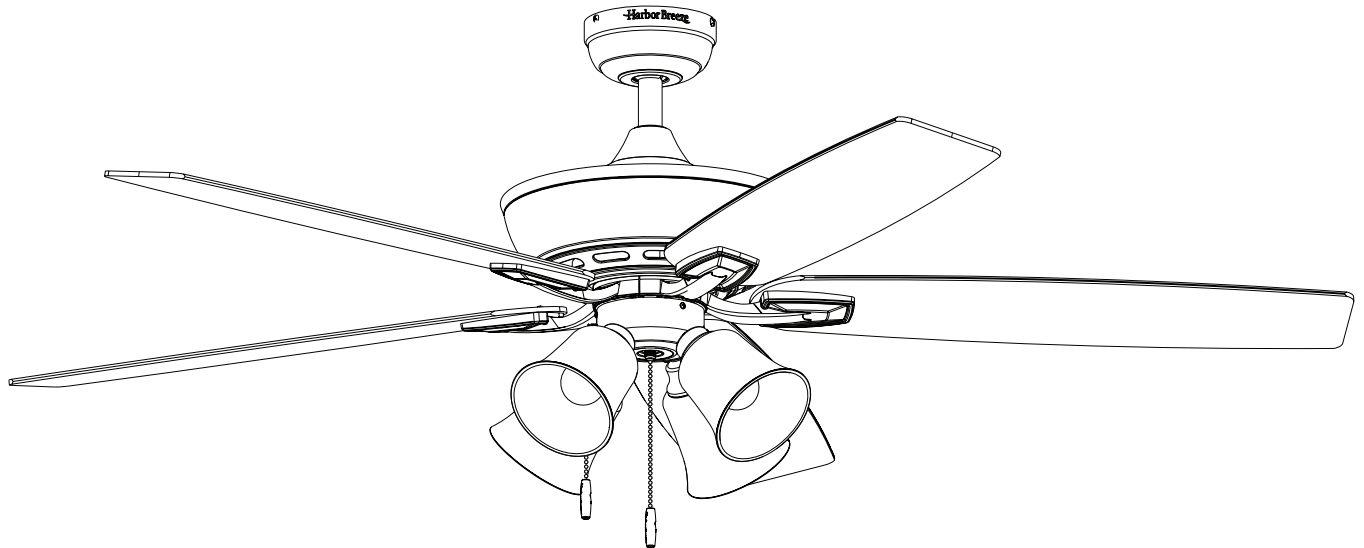




ITEM #1461034, 1461035  
**MACON BAY CEILING FAN**  
MODEL #42070, 42071

**Español p. 21**

Harbor Breeze® is a registered trademark of LF, LLC. All Rights Reserved.



**ATTACH YOUR RECEIPT HERE**

Purchase Date \_\_\_\_\_



**Questions, problems, missing parts?** Before returning to your retailer, call our customer service department at 1-800-643-0067, 8 a.m. - 8 p.m., EST, Monday - Sunday.

BM19239



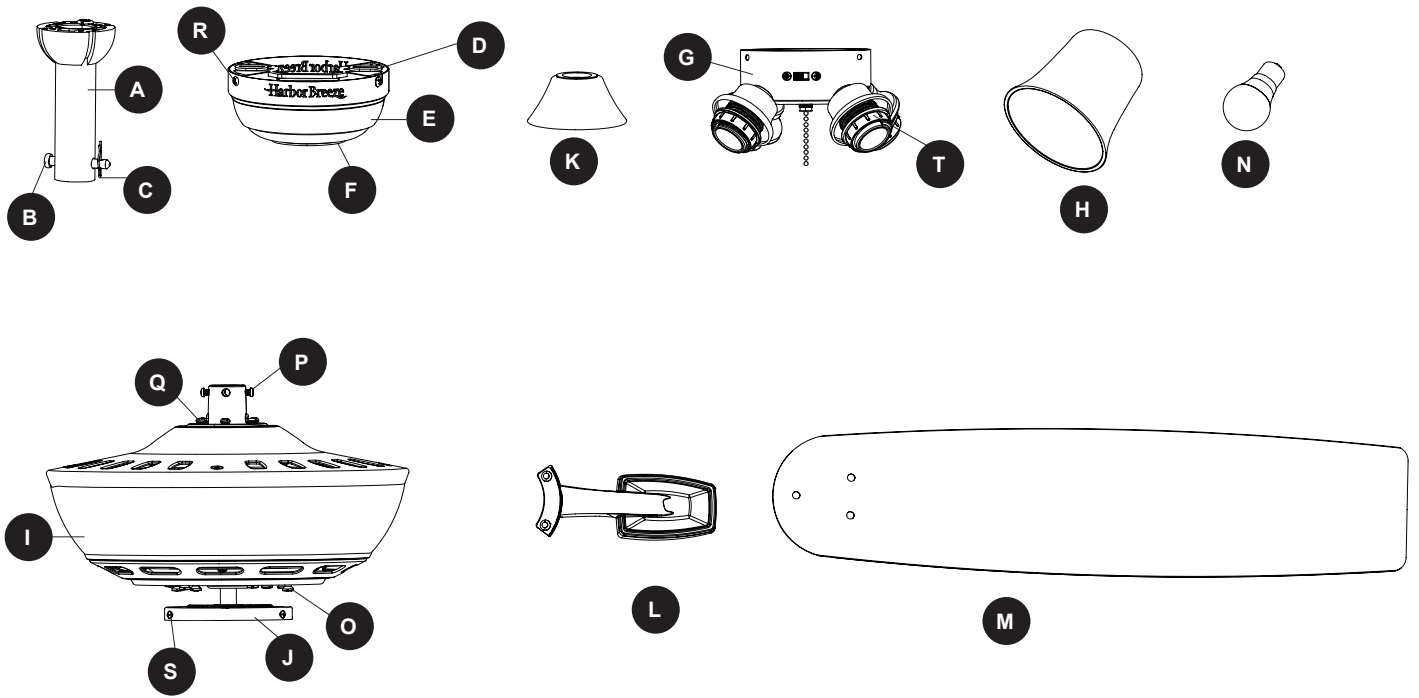
## TABLE OF CONTENTS

---

Package Contents . . . . .	3
Hardware Contents . . . . .	4
Safety Information . . . . .	5
Preparation . . . . .	6
Initial Installation . . . . .	7
Standard or Angled Mounting Instructions. . . . .	9
Closemount Instructions . . . . .	11
Wiring . . . . .	12
Final Installation. . . . .	13
Operating Instructions . . . . .	17
Care and Maintenance . . . . .	18
Troubleshooting . . . . .	18
Limited Lifetime Warranty . . . . .	19
Replacement Parts List . . . . .	20



## PACKAGE CONTENTS



PART	DESCRIPTION	QUANTITY
A	Downrod	1
B	Downrod Pin (preassembled to Downrod [A])	1
C	Downrod Clip (preassembled to Downrod [A])	1
D	Mounting Bracket (preassembled to Canopy [E])	1
E	Canopy	1
F	Canopy Cover (preassembled to Canopy [E])	1
G	Light Kit	1
H	Glass Shade	4
I	Motor Assembly	1
J	Fitter Plate (preassembled to Motor Assembly [I])	1
K	Yoke Cover	1
L	Blade Arm	5
M	Blade	5
N	Bulb	4
O	Motor Screw (preassembled to Motor Assembly [I])	10
P	Set Screw (preassembled to Motor Assembly [I])	2
Q	Phillips-head Closemount Screw (preassembled to Motor Assembly [I])	3
R	Mounting Bracket Screw (preassembled to Mounting Bracket [D])	4
S	Fitter Plate Screw (preassembled to Fitter Plate [J])	3
T	Socket Ring (preassembled to the Light Kit [G])	4

**HARDWARE CONTENTS** (shown actual size)

---

**AA**



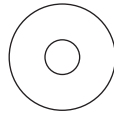
Wire  
Connector  
Qty. 3  
+ 1 extra

**BB**



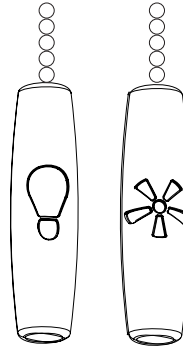
Blade Screw  
Qty. 15  
+ 1 extra

**CC**



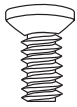
Blade Washer  
Qty. 15  
+ 1 extra

**DD**



Pull Chain Extension  
Qty. 2

**XX**



Motor Screw  
1 extra



## SAFETY INFORMATION

---

Please read and understand this entire manual before attempting to assemble, operate, or install the product.

- Before you begin installing the fan, disconnect the power by removing fuses or turning off the circuit breakers.
- Make sure that all electrical connections comply with local codes, ordinances, the National Electrical Code, and ANSI/NFPA 70-199. Hire a qualified electrician or consult a do-it-yourself wiring handbook if you are unfamiliar with installing electrical wiring.
- Make sure the installation site you choose allows a minimum clearance of 7 ft. from the blades to the floor and at least 30 in. from the end of the blades to any obstruction.
- The net weight of this fan is: 24.21 lbs.



**DANGER:** When using an existing outlet box, make sure the outlet box is securely attached to the building structure and can support the full weight of the fan. Failure to do this can result in serious injury or death. The stability of the outlet box is essential in minimizing wobble and noise in the fan after installation is complete.



**WARNING:** To avoid personal injury, the use of gloves may be necessary while handling fan parts with sharp edges.



**WARNING:** Using a full-range dimmer switch to control fan speed will cause a loud humming noise from the fan. To reduce the risk of fire or electric shock, do NOT use a full-range dimmer switch to control the fan speed.



**WARNING:** To reduce the risk of fire, electric shock, or personal injury, mount the fan to an outlet box marked “ACCEPTABLE FOR FAN SUPPORT” and use the mounting screws provided with the outlet box. Most outlet boxes commonly used for the support of lighting fixtures are not acceptable for fan support and may need to be replaced. Consult a qualified electrician if in doubt. Secure the outlet box directly to the building structure. The outlet box and its support must be able to support the moving weight of the fan (at least 35 lbs.).



**WARNING:** To reduce the risk of fire, electrical shock, or personal injury, wire connectors provided with this fan are designed to accept only one 12 gauge house wire and two lead wires from the fan. If your house wire is larger than 12-gauge or there is more than one house wire to connect to the two fan lead wires, consult an electrician for the proper size wire connectors to use.



**WARNING:** To reduce the risk of fire, electric shock, or personal injury, do not bend the blade arms when installing them, balancing the blades, or cleaning the fan. Do not insert objects between the rotating fan blades.



**WARNING:** To reduce the risk of personal injury, use only parts provided with this fan. The use of parts OTHER than those provided with this fan will void the warranty.



## **SAFETY INFORMATION**

---

**CAUTION:** Read all instructions and safety information before installing your new fan. Review the accompanying assembly diagrams.

**CAUTION:** Be sure the outlet box is properly grounded or that a ground (green or bare) wire is present.

**CAUTION:** Carefully check all screws, bolts and nuts on the fan motor assembly to ensure they are secured.

**CAUTION:** This device complies with part 15 of the FCC Rules. Operation is subject to the following two conditions: (1) This device may not cause harmful interference, and (2) this device must accept any interference received, including interference that may cause undesired operation.

**CAUTION:** This equipment has been tested and found to comply with the limits for a Class B digital device, pursuant to Part 15 of the FCC Rules. These limits are designed to provide reasonable protection against harmful interference in a residential installation. This equipment generates, uses and can radiate radio frequency energy and, if not installed and used in accordance with the instructions, may cause harmful interference to radio communications. However, there is no guarantee that interference will not occur in a particular installation. If this equipment does cause harmful interference to radio or television reception, which can be determined by turning the equipment off and on, the user is encouraged to try to correct the interference by one or more of the following measures:

--Reorient or relocate the receiving antenna.

--Increase the separation between the equipment and receiver.

--Connect the equipment into an outlet on a circuit different from that to which the receiver is connected.

--Consult the dealer or an experienced radio/TV technician for help. Please note changes or modifications not expressly approved by the party responsible for compliance could void the user's authority to operate the equipment.

HKC-US  
3350 Players Club Parkway, Suite 225  
Memphis, TN 38125  
(800) 643-0067

## **PREPARATION**

---

Before beginning the assembly of this product, ensure that all parts are present. Compare all parts with the package contents list and hardware contents list. If any part is missing or damaged, do not attempt to assemble the product.

**Estimated Assembly Time:** 90 minutes

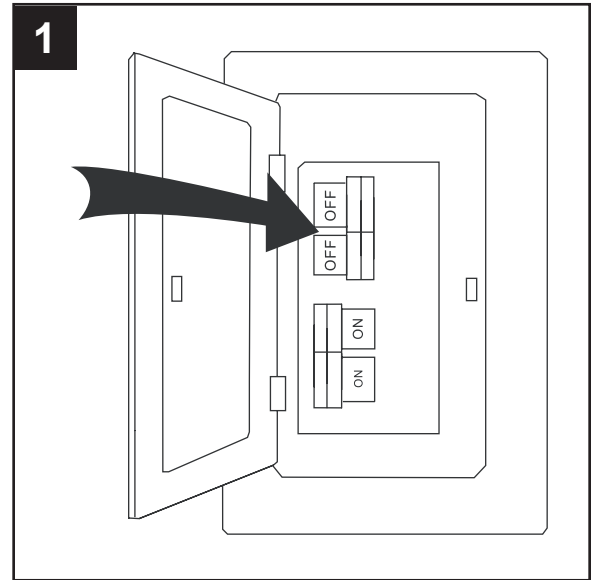
Tools Required for Assembly (not included): Electrical Tape, Phillips Screwdriver, Pliers, Safety Glasses, Step Ladder and Wire Strippers

Helpful Tools (not included): AC Tester Light, Tape Measure, Wiring Handbook and Wire Cutters

## INITIAL INSTALLATION

1. Turn off the circuit breakers and the wall switch to the fan supply line leads.

**⚠ DANGER:** Failure to disconnect the power supply prior to installation may result in serious injury or death.



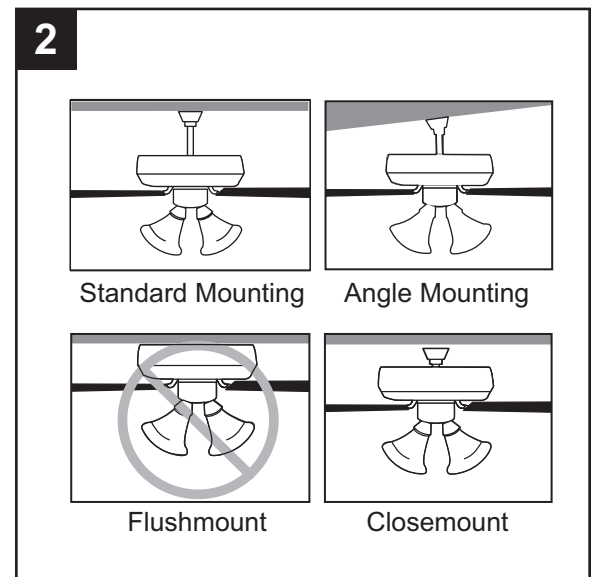
2. Determine the mounting method to use.

**Standard Mounting** is best suited for ceilings 8 ft. or higher. For taller ceilings you may want to use a longer downrod (sold separately).

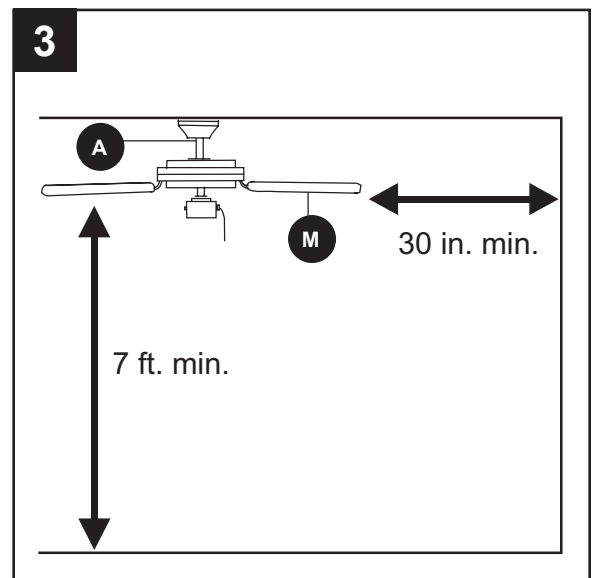
**Angle mounting** is best suited for angled or vaulted ceilings. A longer downrod is sometimes necessary to ensure proper blade clearance. **Important:** If using the angle mount, check to ensure the ceiling angle is not steeper than 16°.

**Flushmount installation** is not available for this item.

**Closemount installation** is more suitable for ceilings lower than 8 ft. high.



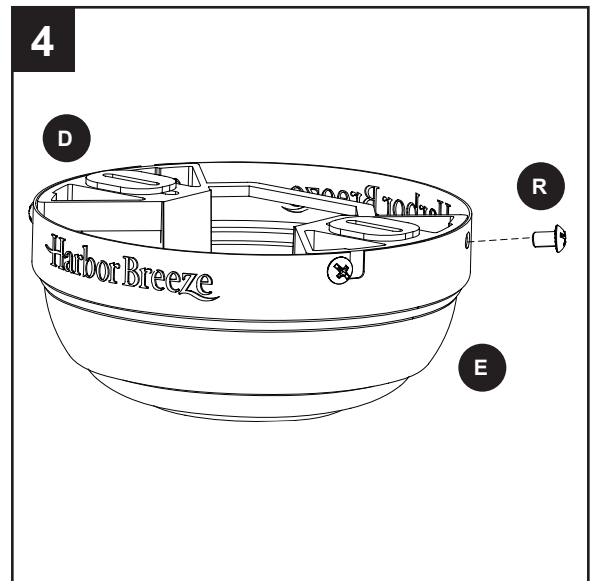
3. Ensure that the blades (M) will be at least 30 in. from any obstructions. Also check the downrod (A) length to ensure the blades (M) will be at least 7 ft. above the floor.



## INITIAL INSTALLATION

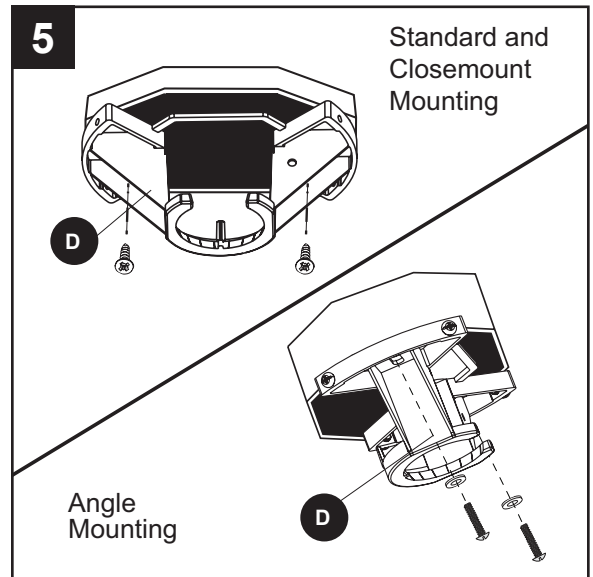
- Loosen all four mounting bracket screws (R), then completely remove the two mounting bracket screws (R) from the round holes of canopy (E). Set aside for later use.

Detach mounting bracket (D) from canopy (E).



- Attach mounting bracket (D) to outlet box (not included) using screws and washers provided with the outlet box.

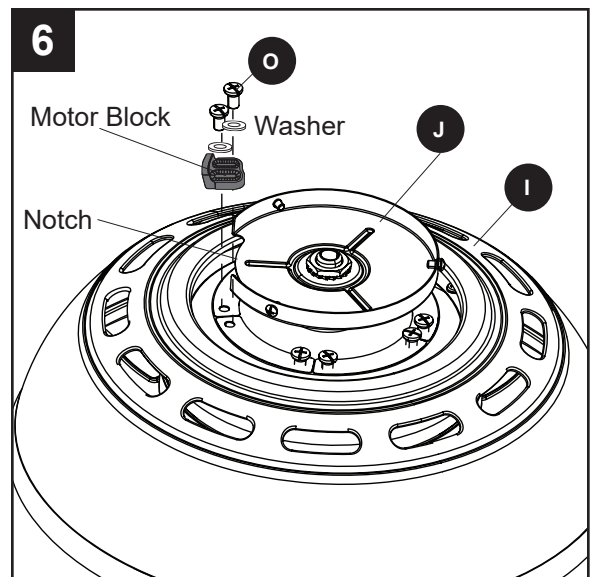
**CAUTION:** It is very important you use the proper hardware when installing the mounting bracket (D) as it will support the fan.



- Remove the 10 preassembled motor screws (O), washers, and five preassembled motor blocks from the underside of the motor assembly (I). Discard the motor blocks and washers but save the motor screws (O) for later.

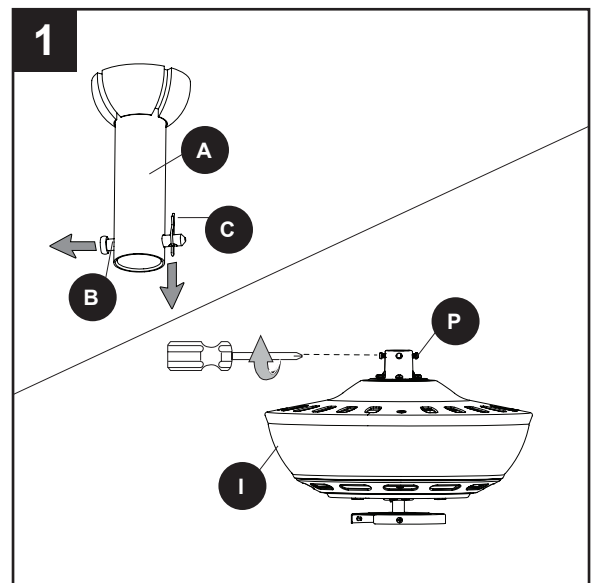
**Note:** The notch in the fitter plate allows a Phillips screwdriver (not included) access to motor screws (O).

For **Standard or Angle Mounting Instructions**, continue to page 9. For **Closemount Instructions**, proceed to page 11.

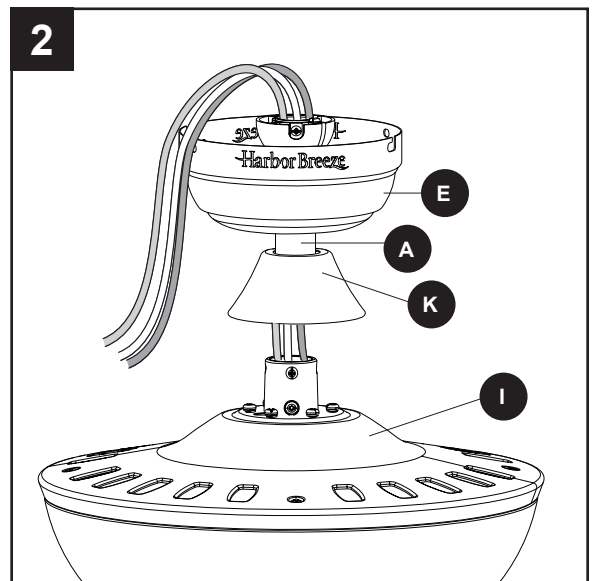


## STANDARD OR ANGLED MOUNTING INSTRUCTIONS

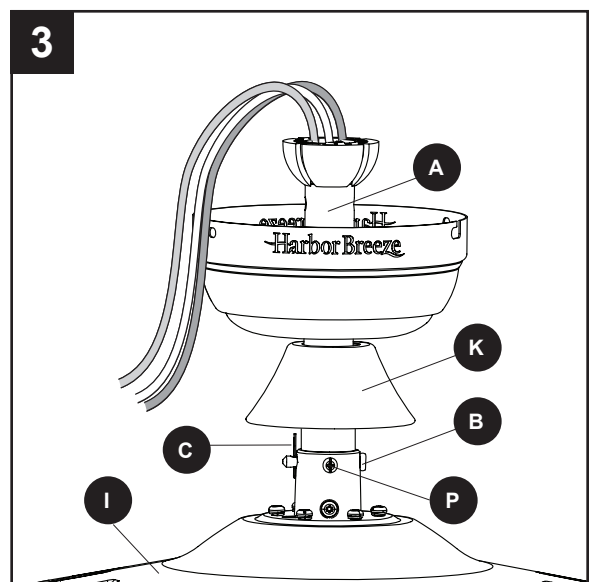
1. Remove the downrod clip (C) and downrod pin (B) from the downrod (A). Then partially loosen the set screws (P) in the yoke at the top of the motor assembly (I).



2. Insert the downrod (A) through the canopy (E) and yoke cover (K). Feed the wires from the motor assembly (I) through the downrod (A).

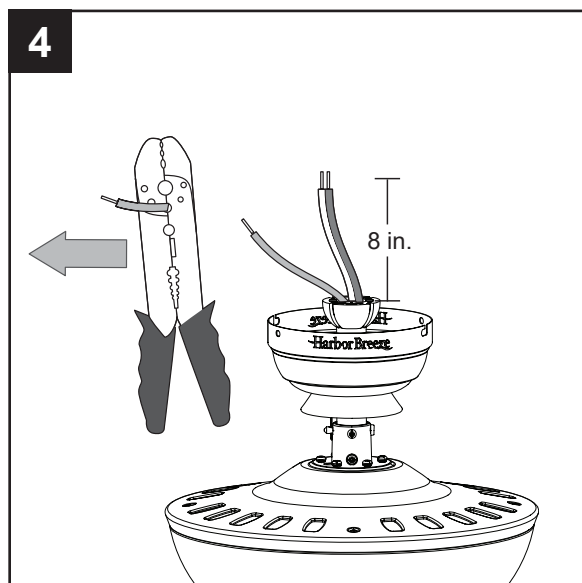


3. Slide the downrod (A) into the yoke of the motor assembly (I), align the holes, then re-install the downrod pin (B) and downrod clip (C). Secure with set screws (P) and slide the yoke cover (K) down until it rests on top of the motor assembly (I).



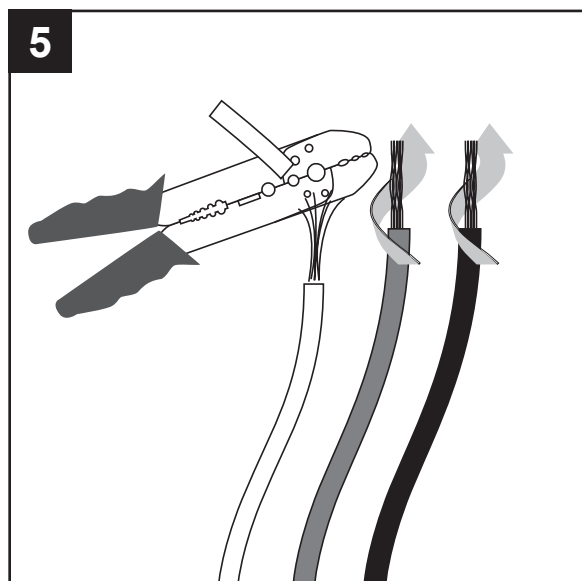
## STANDARD OR ANGLED MOUNTING INSTRUCTIONS

4. Depending on the length of downrod you use, you may need to cut the lead wires back to simplify the wiring. If you decide to cut back the lead wires, it is suggested that you do so in the following manner: Take the lead wires and make sure that you have pulled them all the way through the top of the downrod and measure 8 in. of lead wire, and then cut the excess wire off with wire cutters (not included).



5. If you decided to cut back the lead wire in Step 4, strip 1/2 in. of insulation from the end of the white wire. Twist the stripped ends of each strand of wire within the insulation with pliers (not included). Repeat this step for black and blue wires.

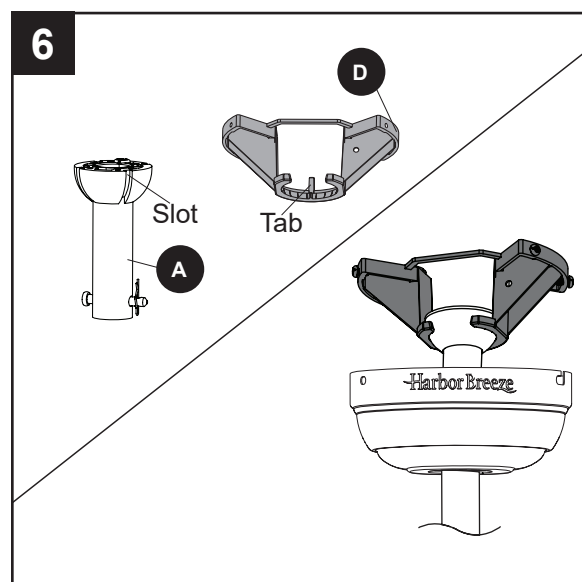
**Important:** If you did not cut back the lead wires in Step 4, Step 5 is not necessary and you may proceed to Step 6.



6. Install the ball end of the downrod (A) into the opening of mounting bracket (D). Align one of the four slots in the downrod (A) with the tab in the mounting bracket (D).

**Note:** The downrod (A) should not rotate if installed correctly.

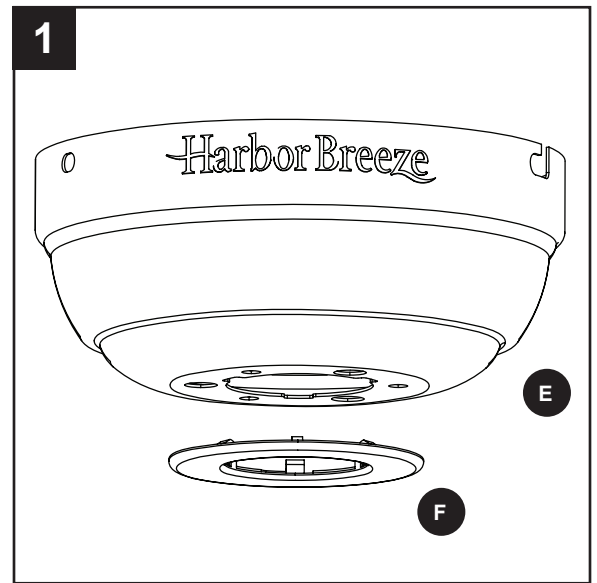
**! DANGER:** Failure to align the slot in the downrod (A) with the tab of the mounting bracket (D) could cause the fan to fall, resulting in serious injury or death. Proceed to the **Wiring** on page 12.



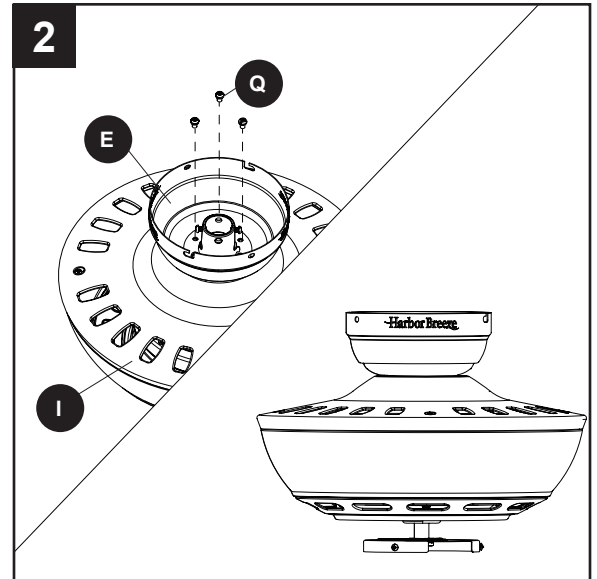
## CLOSEMOUNT INSTRUCTIONS

**Helpful Hint:** The downrod (A), canopy cover (F) and yoke cover (K) are not used in this type of installation.

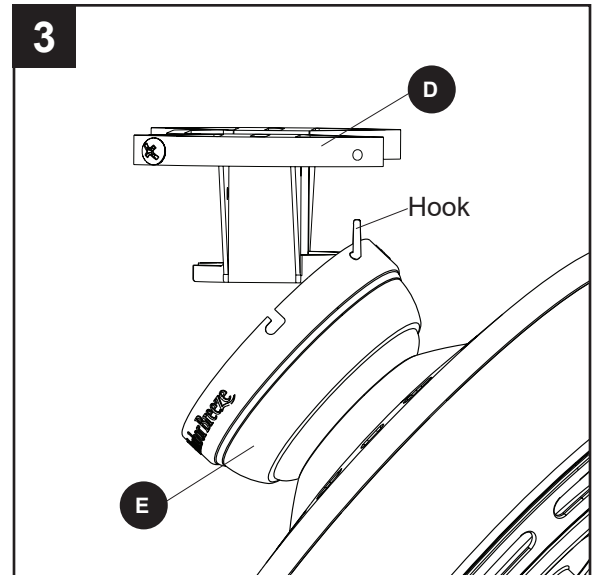
1. Remove the canopy cover (F) from the bottom of the canopy (E).



2. Remove three Phillips-head closemount screws (Q) from the top of the motor assembly (I). Align the canopy (E) with the holes in the top of the motor assembly (I), then re-install the Phillips-head closemount screws (Q) to secure the canopy (E) to the top of the motor assembly (I).



3. Raise the fan and place the canopy (E) on the hook on the mounting bracket (D), temporarily leaving hands free for the wiring process.



## WIRING

**⚠ WARNING:** To reduce the risk of fire, electrical shock or personal injury, wire connectors provided with this fan are designed to accept only one 12-gauge house wire and two lead wires from the fan. If your house wire is larger than 12-gauge and there is more than one house wire to connect to the two fan lead wires, consult an electrician for the proper size wire connectors to use.

**CAUTION:** Be sure the outlet box is properly grounded or that a ground (green or bare) wire is present.

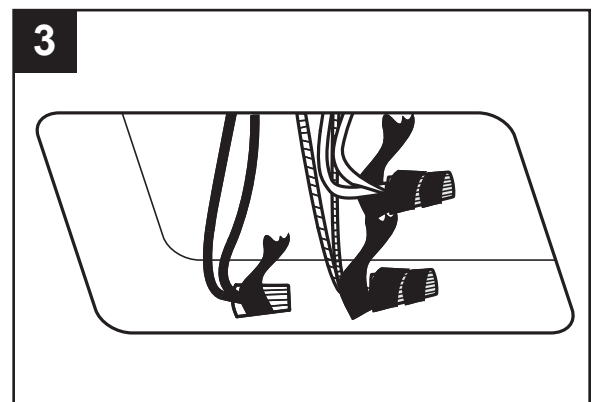
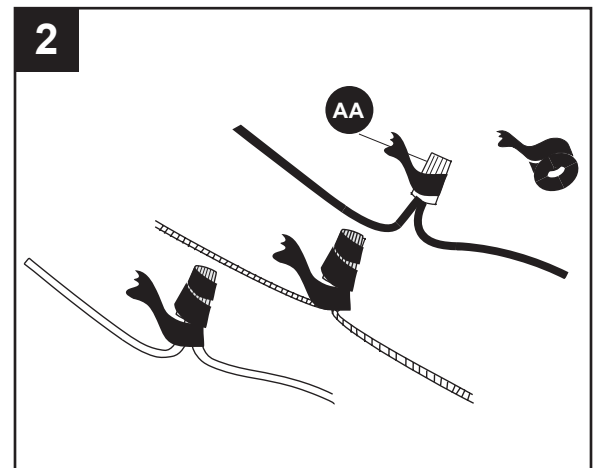
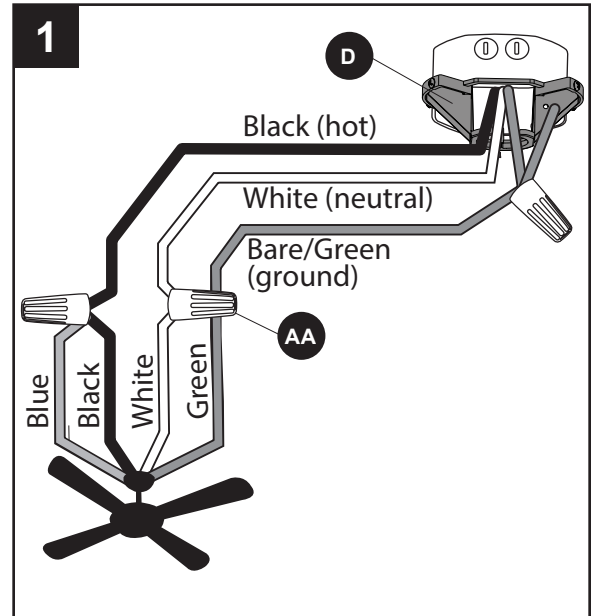
1. Connect supply and fan wires according to the diagram and these steps:

- Connect the Green wires from the downrod (A) and the mounting bracket (D) to the Bare/Green (ground) supply wire. **Note:** Closemount installation does not use downrod (A), so there will only be two Green wires to connect.
- Connect the White wire from the fan to the White (neutral) supply wire.
- Connect the Black and Blue wires from the fan to the Black (hot) supply wire.

Secure all wiring connections together with wire connectors (AA).

**Note:** If a second hot power wire is available from outlet box, connect it to the blue (light power) wire from the fan for separate light and fan control.

**Note:** The Blue wire is power for light. The Black wire is power for the fan. The White wire is neutral/common. The Green wire is the ground wire. If household supply wires are different colors than referred to above, it is recommended a professional electrician determines the proper wiring.



### Hardware Used

**AA** Wire Connector  x 3

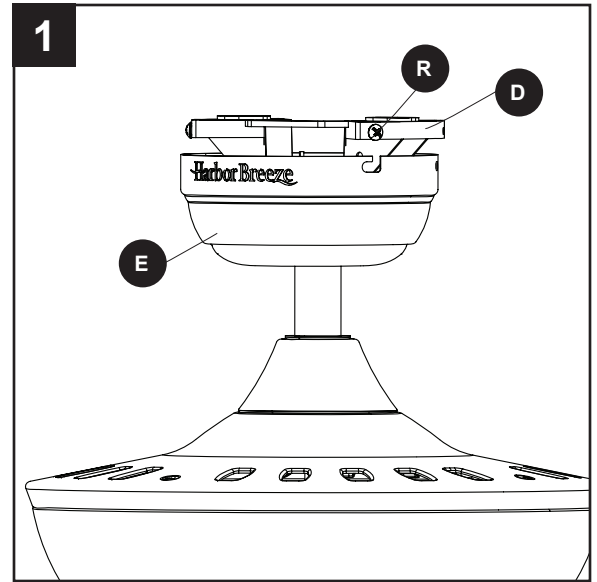
2. Wrap electrical tape (not included) around each individual wire connector (AA) down to the wire.
3. Turn the spliced/taped wires upward and gently push the wires and wire connectors into the outlet box.

**⚠ WARNING:** Ensure no bare wire strands are visible after making connections. Place Green and White wire connections on opposite sides of outlet box from the Black and Blue wire connections.

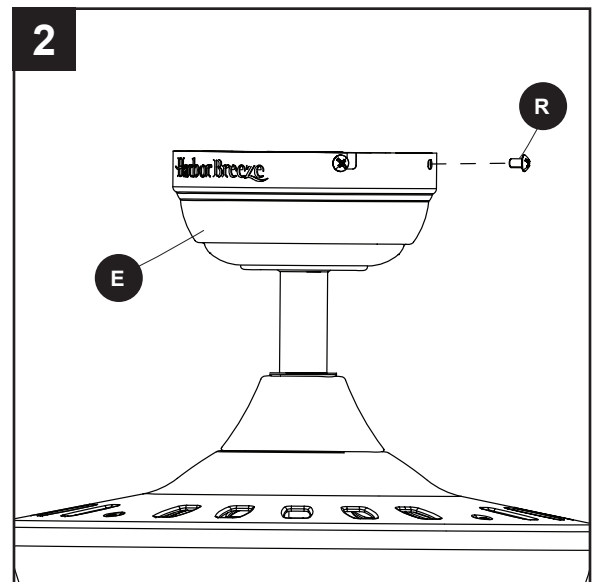
## FINAL INSTALLATION

**Note:** Closemount installation will not have the downrod (A), yoke cover (K) or canopy cover (F).

1. Align the canopy (E) over the loosened mounting bracket screws (R) preassembled on mounting bracket (D). Place the keyholes of the canopy (E) onto the mounting bracket screws (R) and rotate the canopy (E) clockwise.



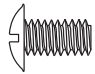
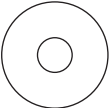
2. Secure the canopy (E) with the mounting bracket screws (R) previously removed (Step 4, page 8). Tighten all mounting bracket screws (R) securely.



## FINAL INSTALLATION

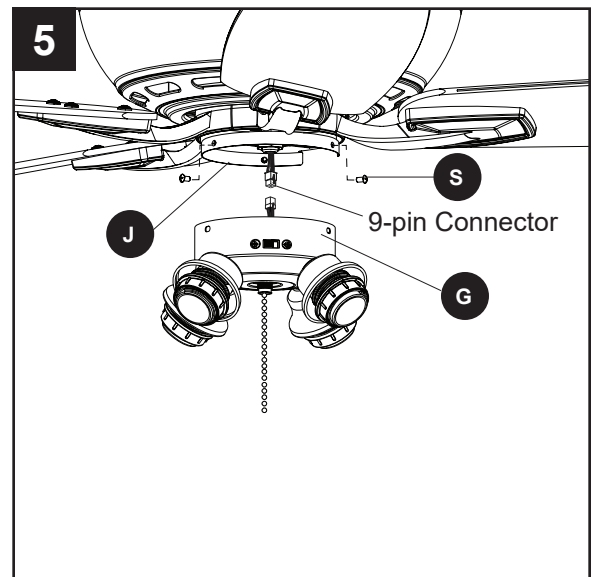
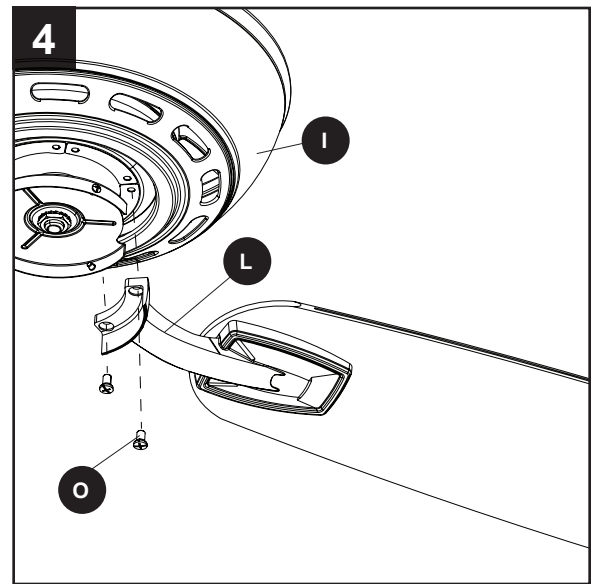
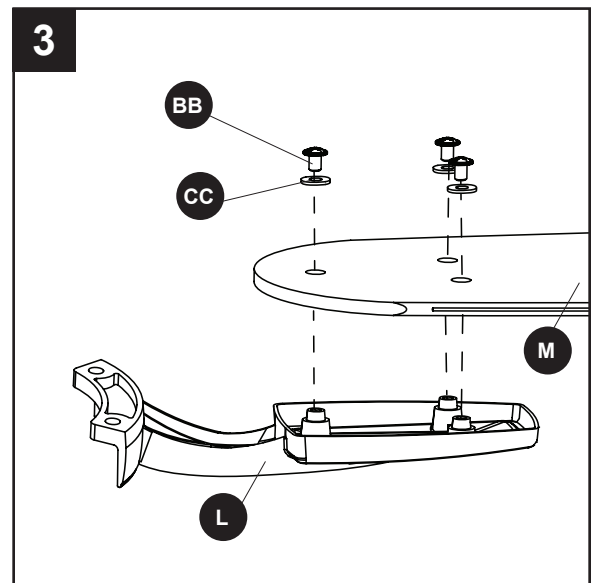
- Partially insert three blade screws (BB) along with three blade washers (CC) through one blade (M) and into one blade arm (L). Tighten each blade screw (BB) with a Phillips screwdriver (not included), starting with the one in the middle. Repeat this step for the remaining blades (M) and blade arms (L).

### Hardware Used

<b>BB</b>	Blade Screw		x 15
<b>CC</b>	Blade Washer		x 15

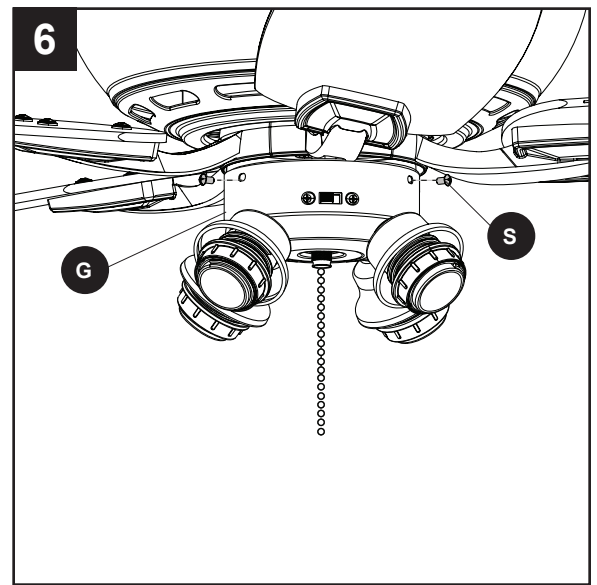
- Install the blade arm (L) to the underside of the motor assembly (I) with motor screws (O) previously removed (Step 6, page 8). Tighten with Phillips screwdriver (not included).  
Repeat for each blade arm (L).

- Remove the fitter plate screws (S) preassembled to the fitter plate (J). Then, connect the 9-pin connectors from the fitter plate (J) and the light kit (G).

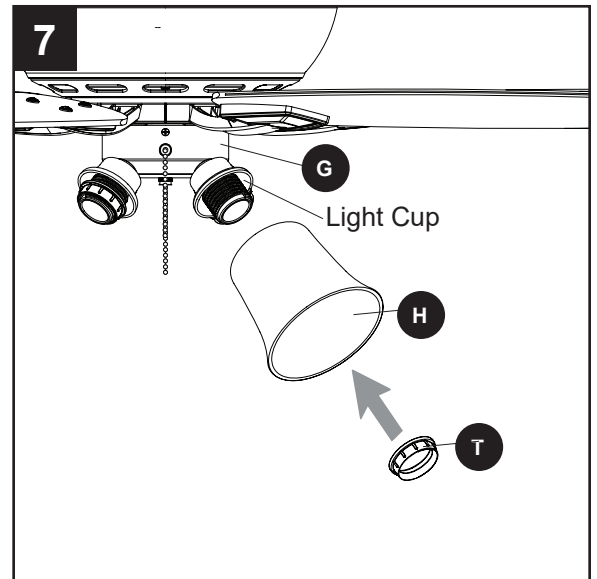


## FINAL INSTALLATION

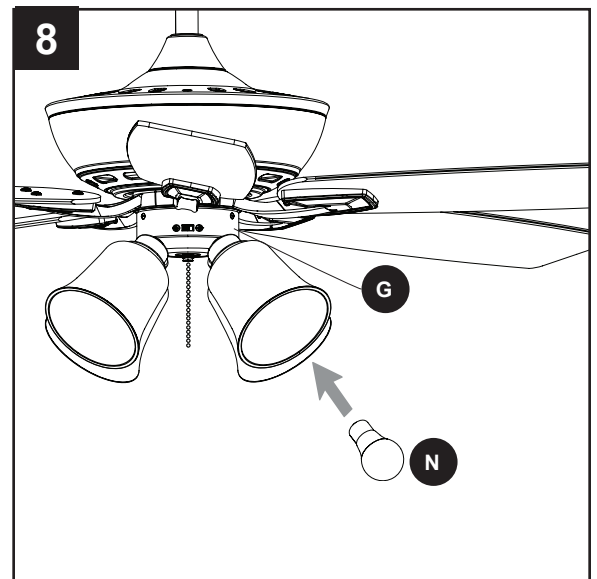
6. Assemble the light kit (G) to the fitter plate (J) using the previously removed fitter plate screws (S).



7. Unscrew the socket ring (T) from the socket of the light kit (G). Then lift the glass shade (H) into the light cup. Secure the glass shade (H) by reinstalling the socket ring (T).



8. Install bulbs (N) into the sockets of the light kit (G).  
**Important:** Make sure to allow the bulbs (N) and light kit (G) to cool before you replace the bulbs.



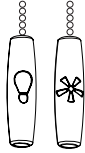
## FINAL INSTALLATION

9. Attach the pull chain extensions (DD) or custom pull chain extensions (not included) to the fan and light pull chains.

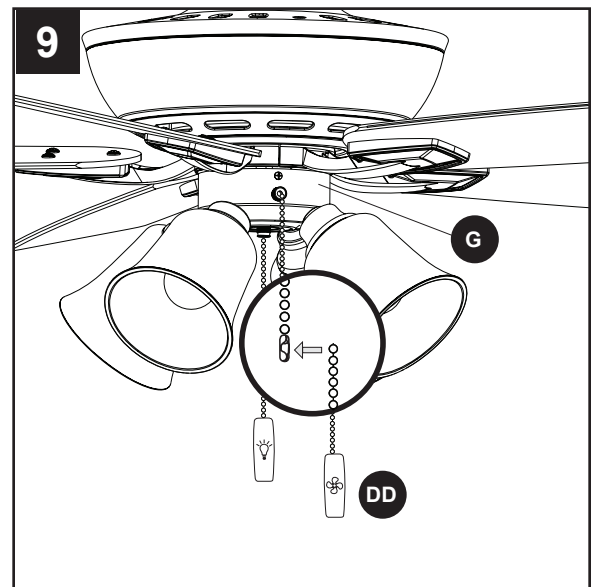
**Note:** The fan pull chain extends from the side of the light kit (G) and the light pull chain extends from the center of the light kit (G).

### Hardware Used

**DD** Pull Chain Extensions

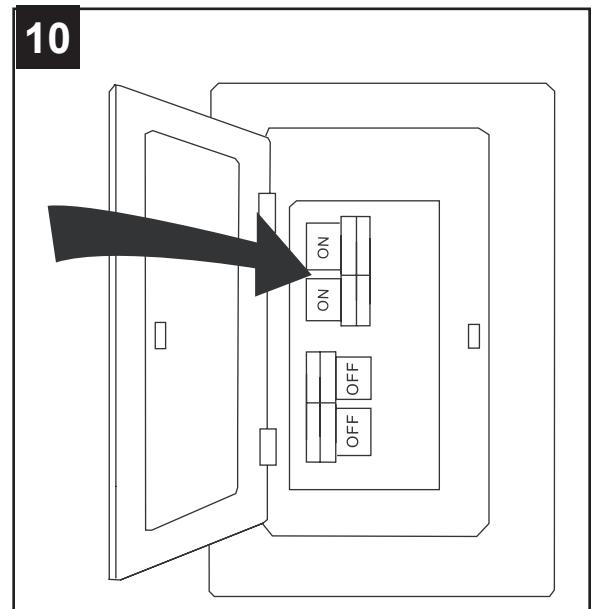


x 2



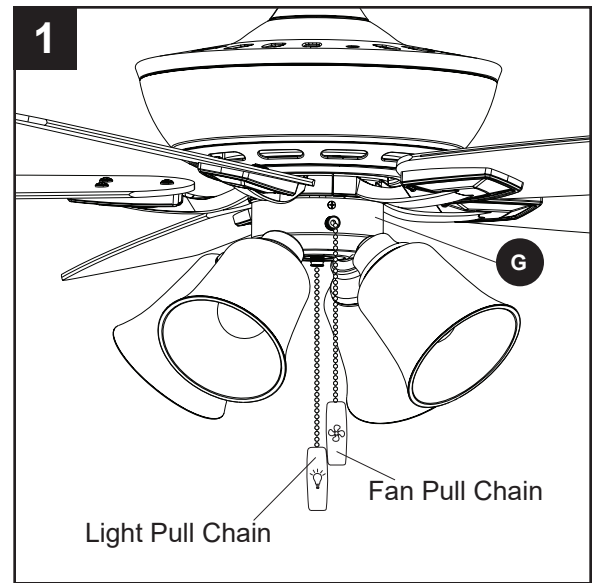
10. Turn on power supply to the fan.

**Assembly is complete.**



## OPERATING INSTRUCTIONS

1. The fan pull chain has four positions to control the fan speed. One pull is HIGH, two is MEDIUM, three is LOW, and four turns the fan OFF. The pull chain in the center of the light kit (G) turns the lights ON and OFF.

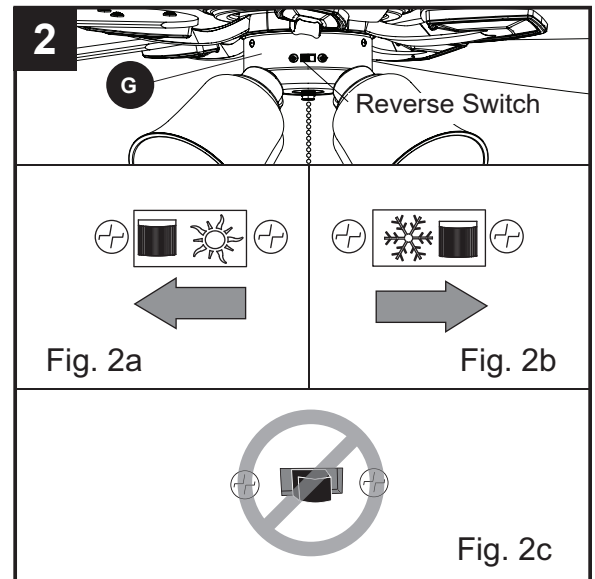


2. Using a ceiling fan will allow you to raise your thermostat setting in summer and lower your thermostat setting in winter without feeling a difference in your comfort. **Note:** Wait for the fan to stop before moving the reverse switch located on the light kit (G).

**In warmer weather**, push the reverse switch left to display a sun icon, which will result in downward airflow creating a wind chill effect (Fig. 2a).

**In cooler weather**, push the reverse switch right to display a snowflake icon, which will result in upward airflow that can help move hot air off the ceiling area (Fig. 2b).

**Important:** The reverse switch must be set either completely left or right in order for the fan to function correctly. If the reverse switch is set in the middle position, the fan will not operate (Fig. 2c).



## CARE AND MAINTENANCE

At least twice each year, lower the canopy to check the downrod assembly, and then tighten all screws on the fan. Clean the motor housing with only a soft brush or lint-free cloth to avoid scratching the finish. Clean the blades with a lint-free cloth.

**Bulb Replacement:** Use 40-watt max. E26-base LED, CFL or incandescent bulbs. Halogen bulbs are not recommended for this item.

**Important:** Shut off the main power supply before you begin any maintenance task. Do not use water or a damp cloth to clean the fan.

## TROUBLESHOOTING

PROBLEM	POSSIBLE CAUSE	CORRECTIVE ACTION
The fan does not move.	<ol style="list-style-type: none"> <li>1. The reverse switch is not engaged.</li> <li>2. The wall switch is turned off.</li> <li>3. The power is off or the fuse (breaker) is blown.</li> <li>4. There is a faulty wire connection.</li> </ol>	<ol style="list-style-type: none"> <li>1. Firmly push the reverse switch to either the left or right.</li> <li>2. Make sure the wall switch is turned on.</li> <li>3. Turn the power on or check the fuse (breaker).</li> <li>4. Turn the power off and check all connections at the ceiling outlet box.</li> </ol>
The fan is noisy.	<ol style="list-style-type: none"> <li>1. The blades are loose.</li> <li>2. There is a cracked blade.</li> <li>3. The wall control is not compatible with the fan.</li> <li>4. The outlet box is not secure.</li> <li>5. The mounting bracket is not secure.</li> </ol>	<ol style="list-style-type: none"> <li>1. Check and tighten all screws that hold the fan blades to the blade arms and the motor.</li> <li>2. Replace the cracked blade.</li> <li>3. Do not use a full range dimmer switch to control the fan speed.</li> <li>4. Ensure the outlet box is secured to the building structure.</li> <li>5. Ensure the mounting bracket is secured to the outlet box and that the screws are tight.</li> </ol>
There is excessive wobbling.	<ol style="list-style-type: none"> <li>1. The blades and/or blade are loose.</li> <li>2. The blades are unbalanced.</li> <li>3. The fan mounting is not secure.</li> <li>4. The fan is too close to the vaulted ceiling.</li> <li>5. The set screw on the motor housing yoke is loose.</li> </ol>	<ol style="list-style-type: none"> <li>1. Check and tighten all screws that hold the fan blades to the blade arms and the blade arms to the motor.</li> <li>2. Switch one blade with a blade from the opposite side. Or balance the fan using a blade balancing kit (sold separately).</li> <li>3. Turn off the power. Loosen the canopy and verify that the mounting bracket is secure to the electrical outlet box. The bracket must be flush without movement against the outlet box.</li> <li>4. Use a longer downrod (sold separately) or move the fan to another location.</li> <li>5. Lift up the yoke cover and tighten the set screw to the yoke until secure.</li> </ol>

## TROUBLESHOOTING

PROBLEM	POSSIBLE CAUSE	CORRECTIVE ACTION
The fan operates correctly, but the lights are not working (if applicable).	<ol style="list-style-type: none"><li>1. The bulb(s) not installed correctly.</li><li>2. The light kit wire plugs are not connected properly.</li><li>3. There is a faulty wire connection.</li></ol>	<ol style="list-style-type: none"><li>1. Re-install the bulb(s).</li><li>2. Ensure that the male and female plugs in the light kit fitter are connected properly.</li><li>3. Turn the power off and check all connections at the ceiling outlet box.</li></ol>

## LIMITED LIFETIME WARRANTY

The manufacturer warrants this fan to be free from defects in workmanship and materials present at time of shipment from the factory for a lifetime from the date of purchase by the original purchaser. The retailer also warrants that all other fan parts, excluding any glass or plexiglass blades, to be free from defects in workmanship and material at the time of shipment from the factory for a period of one year after the date of purchase by the original purchaser. The manufacturer agrees to correct such defects without charge or at its option replace the ceiling fan with a comparable or superior model.

To obtain warranty service, present a copy of the receipt as proof of purchase. All costs of removing and reinstalling the product are your responsibility. Any damage to any part such as by accident or misuse or improper installation or by affixing any accessories, is not covered by this warranty. The manufacturer assumes no responsibility whatsoever for fan installation during the limited lifetime warranty. Any service performed by an unauthorized person will render the warranty invalid.

Due to varying climate conditions, this warranty does not cover any changes in brass finish, including rusting, pitting, corroding, tarnishing or peeling. Brass finishes of this type give their longest useful life when protected from varying weather conditions. Any glass provided with this fan is not covered by the warranty.

Any replacement of defective parts for the ceiling fan must be reported within the first year from the date of purchase. For the balance of the warranty, call our customer service department for return authorization and shipping instructions so that we may repair or replace the ceiling fan. Any fan or parts returned improperly is the sole responsibility of the purchaser. There is no other expressed warranty. The manufacturer disclaims any and all warranties. The duration of any implied warranty which cannot be disclaimed is limited to the time period as specified in the expressed warranty. The manufacturer shall not be liable for incidental, consequential, or special damages arising out of or in connection with product use or performance except as may otherwise be accorded by law. This warranty gives specific legal rights, and you may also have other rights which vary from state to state.

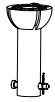
This warranty supersedes all prior warranties.

**Note:** A small amount of “wobble” is normal and should not be considered a defect.

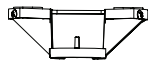
## REPLACEMENT PARTS LIST

For replacement parts, call the customer service department at 1-800-643-0067, 8 a.m. - 8 p.m., EST, Monday - Sunday.

PART	DESCRIPTION	1461034 PART #	1461035 PART #
A	Downrod	4L000006330	4L000006400
D	Mounting Bracket	4L000008860	4L000007490
E	Canopy	4L000010000	4L000009990
F	Canopy Cover	4L000007910	4L000002900
G	Light Kit	4L000011400	4L000011420
H	Glass Shade	4L167240001	4L167240001
K	Yoke Cover	4L000007880	4L000000230
L	Blade Arm	4L073800001	4L073800000
M	Blade	4L085070001	4L085070002
HW	Hardware Kit	4L000011410	4L000011430



**A**



**D**



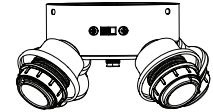
**K**



**E**



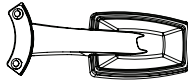
**F**



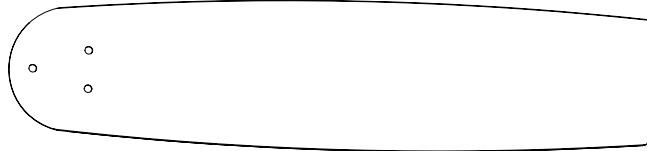
**G**



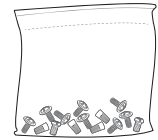
**H**



**L**



**M**



**HW**