

SONANCE

SBXL-100 SOUNDBAR QUICKSTART GUIDE

BOX CONTENTS

- SBXL-100 Soundbar Quickstart Guide
- UA Series 2-125 Amplifier Quickstart Guide
- Sonance SBXL-100 Soundbar
- Power Cord
- 1/32", 1/16", 1/8", and 1/4" Shims
- Straight Edge Alignment Template with Level
- Two (2) Z-Brackets
- Ten (10) Mounting Screws

BEFORE YOU BEGIN

IMPORTANT, TEAM LIFT REQUIRED: Two or more people must assist with installation. Never release the soundbar until you confirm it is securely mounted. Always have multiple people holding the bar when removing it from the wall.

IMPORTANT, SAFE MOUNTING: The SBXL-100 Z-brackets are designed for 16" on-center stud construction with adjustable positioning for 11" to 24" spacing between studs. Each bracket must be secured to two or more studs for safe installation.

IMPORTANT, ELECTRICAL REQUIREMENTS: The SBXL-100 requires connection to a power outlet. Sonance does not recommend running high-voltage power cords through walls. Plan ahead. Have an electrician install an outlet behind the SBXL-100 Soundbar to provide power before beginning installation.

CAUTION: The SBXL-100 grille features multiple strong magnets. Use caution when attaching or removing the grille from the soundbar.

NOTE: The SBXL-100 Soundbar features in-app setting adjustments for its built-in Sonance UA Series amplifier (see the full manual for details). Scan the QR Code to get the app.



INSTALLATION

The alignment template ensures level Z-bracket mounting. Its top edge represents the final soundbar position (see Figure 1).

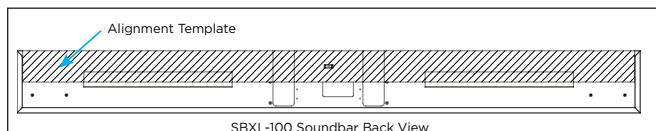


Figure 1: Relative Position of the Alignment Template to the Back of the SBXL-100 Soundbar

1. Carefully remove the grille from the soundbar and set aside. The grille contains strong magnets. Keep fingers clear when separating to avoid pinching.
2. Hold the Alignment Template against the wall in the desired position of the SBXL-100 Soundbar, aligning the top of the template with the desired height of the soundbar. Be sure it is oriented with the two Z-Bracket markings facing downward so

they appear on the bottom edge of the Alignment Template (see Figure 2).

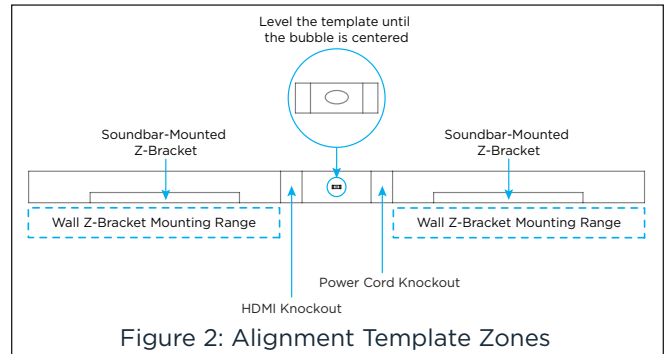


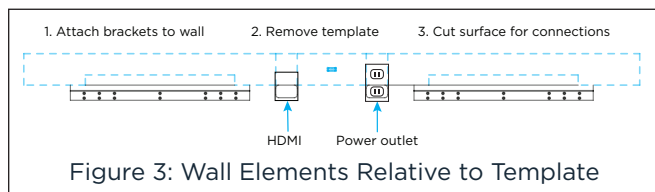
Figure 2: Alignment Template Zones

NOTE: When mounting below a TV that is already mounted, allow at least 2" (50mm) above the top of the Alignment Template to provide enough clearance to lower the SBXL-100 Soundbar onto its Z-Bracket.

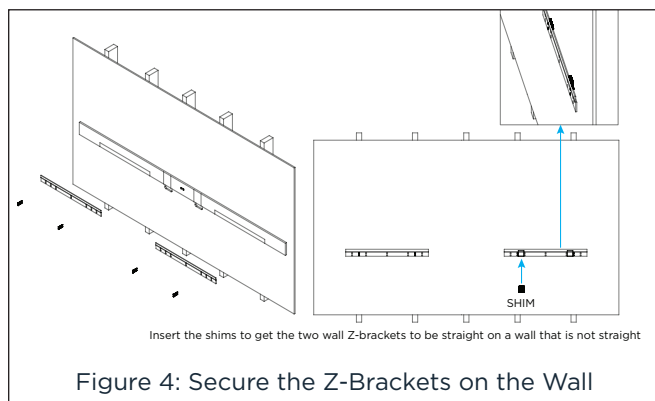
3. Adjust the Alignment Template's positioning until the bubble in the level is centered, indicating the template is level on the wall (see Figure 2).
4. Use two provided screws to secure the Alignment Template to the wall anywhere on its surface.
5. Use a stud finder to locate studs along the width of the Alignment Template and mark their locations along the bottom edge.
6. Refer to Figure 2. Note the bottom edge of the template with the two outlined Z-bracket areas. The bottom edge of the template will meet the top edge of the Z-Brackets. The Z-Brackets will need to be mounted within the two dotted areas below the template as marked in Figure 2.
7. Identify the two knockout locations to the left and right of the bubble level on the Alignment Template (see Figure 2). Mark the size and locations for these two areas on the wall along the bottom of the Alignment Template. This will help identify where to cut the surface for wiring low voltage connections (the left portion), and placement for an electrician to install an outlet for power (the right portion).
8. Place one Z-bracket along the bottom edge of the Alignment Template with the screw hole edge facing downward and flat against the wall. The top portion of the bracket will hover off the wall.
9. Move the Z-bracket into position along the bottom edge of the Alignment Template, in line with the left rectangular outline. Make sure that the top edge of the bracket touches the bottom edge of the Alignment Template, but do not overlap.
10. Move the bracket left or right as needed to align the mounting holes with the stud locations. It is okay if the bracket does not perfectly match the left and right boundaries of the left rectangular outline markings, but it should not extend outside of the physical boundary width of the Alignment Template.

NOTE: Bracket placement is flexible and can be moved left or right along the alignment template as long as they remain within the overall width and are secured to studs.

- Once in position, use four provided screws to secure the Z-bracket to the wall, making contact with at least one stud location.
- Repeat steps 7 through 10 for the second Z-bracket along the bottom edge of the right side of the Alignment Template.
- Once both Z-brackets are mounted to the wall, remove the two screws in the Alignment Template to remove the template from the wall.



- Place the Alignment Template on its edge against the face of both Z-brackets. Check for areas where it misses contact with the bracket. The goal is for the Z-brackets to be evenly aligned with one another, touching all along the edge of the Alignment Template, as straight as possible.
- Mark the areas along the width where there are gaps between the Alignment Template and the brackets.
- Insert the provided shims behind the BOTTOM of each Z-bracket at the marked locations. This pushes the bracket away from the wall, creating the clearance needed at the bracket's top edge for the soundbar brackets to slide into position along its full length.



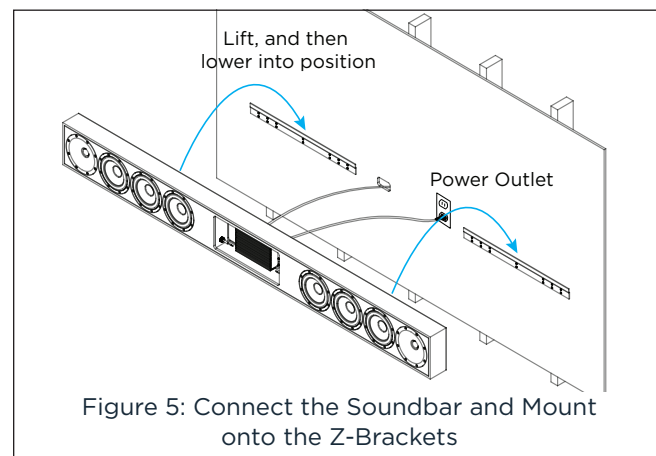
NOTE: Bracket placement can slide left or right along the alignment template as long as they remain within the overall width and are secured to studs.

- Cut a hole in the wall for low voltage wiring (HDMI, sources) using the knockout markings as guides. The SBXL-100 connections are located within the left soundbar knock out.

NOTE: Only run low-voltage cables through walls. High-voltage cables must not be run through walls.

- Run the HDMI through the wall opening, running from the left knock out location, exiting the wall at the TV location above. Connect the HDMI at the TV end into the TV input.
- Secure the SBXL-100 Soundbar to the brackets on the wall by lifting the soundbar above the bracket height and then slowly lowering it until the back of the soundbar catches the edge of both Z-brackets along the top edge.

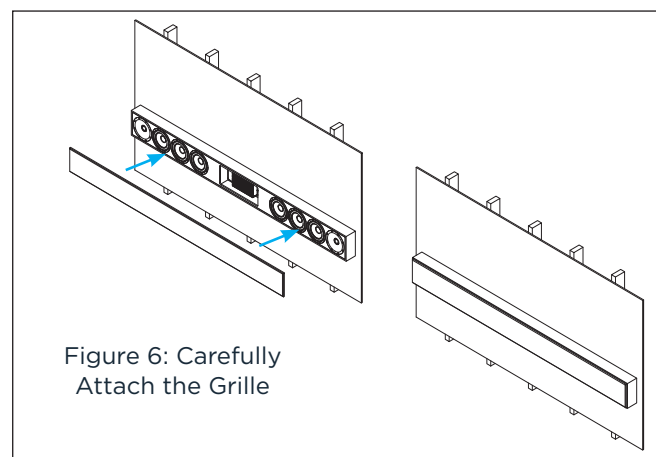
- Plug the power cord into the SBXL-100 and the outlet through the right knock out. Sonance recommends having an electrician install an outlet directly behind the SBXL-100 Soundbar, within the area behind the right knockout (see Figure 5).



NOTE: Ensure both sides of the soundbar are securely engaged before releasing. Do not bend the grille when placing onto or removing from the soundbar.

- Connect the HDMI from the left knock out opening to the HDMI input inside the SBXL-100 left knock out.

CAUTION: The SBXL-100 grille features multiple strong magnets. Use caution when attaching or removing the grille from the soundbar.



- Carefully attach the magnetic grille to the soundbar (see Figure 6).



Scan QR Code for full installation, connection, and setup steps.

LIMITED (2) YEAR WARRANTY Sonance warrants to the first end-user purchaser that this Sonance-brand product ("Product"), when purchased from an authorized Sonance Dealer/Distributor, will be free from defective workmanship and materials for the life of the Product, except for the grille, which is warranted for one (1) year. Sonance will at its option and expense either repair the defect or replace the Product with a new or remanufactured Product or a reasonable equivalent. ©2026 Sonance. All rights reserved. Sonance is a registered trademarks of Dana Innovations. Due to continuous product improvement, all features and specifications are subject to change without notice. For the latest Sonance product specification information visit our website at www.sonance.com. 991 Calle Amanecer • San Clemente, CA 92673 USA • Phone: (949) 492-7777 03.13.2026