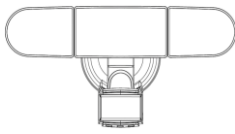

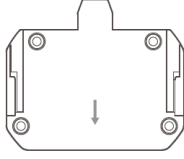






Questions, problems, missing parts?

Before returning to your retailer, call our customer service at **855-232-6423**
Monday – Friday 8:00 a.m. – 8:00 p.m. (EST)

PACKAGE CONTENTS

		
A	B	C
Light Fixture x 1	Solar Panel x 1	Mounting Plate x 1
		
D	E	
Anchor x 8	Screw x 8	

⚠ Read all instructions before installation, then store in a safe place for future reference. Failure to do so may result in faulty assembly and potential injury.

SAFETY INFORMATION

- Your motion light is not a toy. Keep it out of reach from small children.
- You can mount your motion light indoors, but your solar panel must be installed outdoors to receive light from the sun.
- If using a step ladder, you may require a second person to help install the solar motion light.
- Prior to installation, lay out all components and check against the part list section in this manual.
- CAUTION! Never look directly into the solar motion light when illuminated.

CLEANING AND MAINTENANCE

- From time to time, ensure the plug between the solar panel and light is securely connected.
- It is advisable to adjust the angle of the solar panel to optimize the exposure of the sun during the winter months.
- The solar panel should be cleaned with a damp cotton cloth on a regular basis. This will ensure optimal performance and battery charging. Periodically, utilize the same technique to clean the lenses of the motion lights.
- Never let any abrasive material come into contact with the solar panel.
- To prolong the original appearance, clean the light fixture with a soft, damp cloth. Do not use paints, solvents, or other chemicals on this light fixture. They could cause a premature deterioration of the finish.

LOCATION: Fixture can be wall mounted.

Some environmental factors may affect the sensor range and could result in a reduction in sensor detection distance. It is recommended not to mount the fixture near a heat source like an air conditioner, vent, or furnace exhaust, or in a direction facing a light reflecting object.

FEATURES:

Motion sensor: At night, turns light ON automatically when motion is detected and turns light OFF automatically when motion stops.

- Adjustable motion sensor
- Adjustable time and sensitivity settings
- Solar panel with 15 ft wire

Sensor Range: Up to 13.5 m / 45 ft. x 240 degree spread (Varies with various environment).
 Lumens output: 2,200 lumens / 6,000K (Max, full charging).


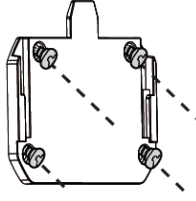
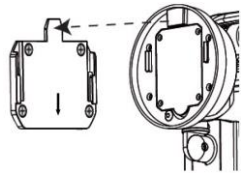
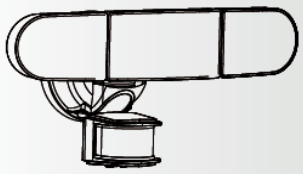
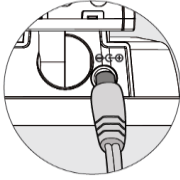
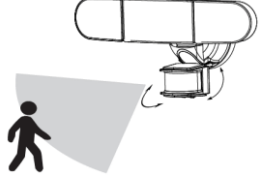
PREPARATION: Tools required for assembly (not included): Phillips screwdriver, safety goggles, power drill and ladder.

INSTALLATION AND OPERATION INSTRUCTIONS

INSTALLATION

- Gently remove all parts from the package and lay them out on a smooth surface.

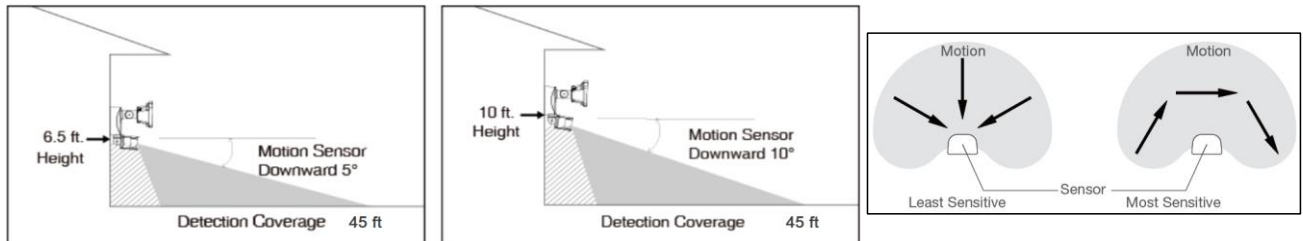
IMPORTANT: Ensure your solar panel is placed where it is exposed to optimized sunlight. Be aware of objects such as trees or property overhangs that may impede the panel's ability to generate a charge.

 <p>1. Use a power drill (not included) to create the holes on your chosen mounting surface. Use 4 of the included anchors and screws to fasten the solar panel to the surface.</p>	 <p>2. Use a power drill (not included) to drill the holes on your chosen mounting surface. Place the mounting plate (with smooth surface facing out) over the holes & use 4 of the included anchors and screws to fasten the mounting plate to the surface.</p>	 <p>3. Slide light fixture back onto the mounting plate to secure.</p>
 <p>4. Installation completed</p>	 <p>5. Connect the wire from the solar panel into the socket located under the light fixture. Your solar motion light will now begin to charge.</p>	 <p>6. SENSOR HEAD ADJUSTMENT: After installation, aim sensor head toward desired detection area and make sure sensor head is positioned with controls facing toward the ground.</p>

Recommended installation height: 6.5 -10 feet above the ground.

At such a height, adjust motion sensor's angle by following illustrations below. The fixture will provide a detection distance of up to 45 feet (Max) at 77 degrees Fahrenheit.

The sensor will be more sensitive to motion across than motion towards it directly.



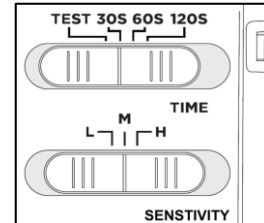
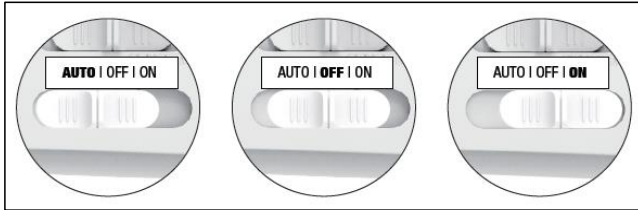
OPERATIONAL INSTRUCTIONS

Remark: Prior to using your solar motion light, the solar panel needs to be connected to the light for a period of three days. This initial charge should be done in the OFF position.

After the third day, your included batteries will be enough power for operation of solar motion light.

1. Adjust the head of light fixture toward to left or right direction to get the desired light direction.
2. Adjust the head of light fixture up and down to get the desired light direction.
3. Slide the Mode switch to Auto from OFF position to power on the light.

The ON position acts to override the motion activation function. This will allow a limited period of constant illumination.



4. Switch adjustment:

Two different control switches adjust the light's illumination time and range of motion detection.

TIME: Determines the duration of the light once motion is detected: 30 seconds, 60 seconds or 120 seconds.

- **Test:** Allows the positioning of the light's motion sensor to be tested day or night. Once the motion sensor is in the desired position, attempt to trigger the light by moving in the intended detection zone. If the light illuminates, the motion sensor is positioned correctly.

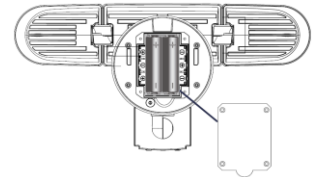
You are now ready to move the switch to the preferred duration option. The light will now only turn on in darkness at Auto mode.

SENSITIVITY: Controls the distance of the range of motion detection: low, medium or high.

BATTERY REPLACEMENT

When replacing the batteries, be sure to:

- Use same specification rechargeable batteries (2 pcs 18650 3.7V 2,000mAh Lithium ion rechargeable batteries) only.
- Observe the correct polarity (+ and -) when installing the replacement batteries.
- Do not mix old and new batteries.
- **IMPORTANT:** Dispose of the Lithium ion battery in accordance with local, state and federal regulations.



Batteries are located in the battery housing behind the light fixture. Select the **OFF** position on the light prior to opening the battery housing. Remove the screws to reveal the batteries.

When replacing the batteries, observe the correct polarity and match the battery specifications with the batteries you have removed.

Use rechargeable batteries only.

The first time use after new battery change. Slide the mode switch to **Auto** position the light will turn on and enter a "warm-up" period for about 15 seconds.

FREQUENTLY ASKED QUESTIONS

Q: Where should the solar panel be mounted?

A: Mount your solar panel in a position that will enable the most amount of light to be absorbed. In the Northern Hemisphere this is usually south facing.

Q: Does the solar panel require direct sun to charge?

A: The solar panel can charge the internal batteries in direct and indirect light. For best results, try to optimize your solar panel's sun exposure.

Q: Can additional or extended cable wire for the solar panel be purchased?

A: At this point there are no extensions available for the cable that connects the light to the solar panel. Any additions to the cable will void the warranty.

Q: Will decorative or street lights have an effect on the motion sensor's ability to operate?

A: Yes, the sensor of the solar motion light is light-sensitive. For nighttime usage, ensure no other light activates the motion sensor.

Q: What type of battery does my solar motion light require to operate?

A: Your solar motion light requires the use of 2 pcs of 3.7V 18650 2,000 mAh Lithium ion rechargeable batteries.

ONE-YEAR LIMITED WARRANTY: If, during normal use, this PATRIOT LIGHTING® lighting fixture breaks or fails due to a defect in material and workmanship within one (1) year from the date of original purchase, simply bring this lighting fixture with the original sales receipt back to your nearest MENARDS® retail store. At its discretion, PATRIOT LIGHTING® agrees to have the product or any defective part(s) repaired or replaced with the same or similar PATRIOT LIGHTING® product or part free of charge, within the stated warranty period, when returned by the original purchaser with original sales receipt. This warranty; (1) excludes expendable parts including but not limited to light bulbs and batteries; (2) does not cover damage that has resulted from abuse or misuse; and (3) does not cover any losses, labor, injuries to persons/property or costs. This warranty does give you specific legal rights and you may have other rights, which vary from state to state.



Questions, problems, missing parts?

Before returning to your retailer, call our customer service at **855-232-6423**
Monday – Friday 8:00 a.m. – 8:00 p.m. (EST)