

**Scholtès**



Italiano



English



Français



Deutsch



Español

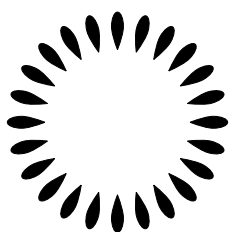


Português



Русский

MGN 31 (L)



# Scholtès

## Index

### Instructions for use

Installation, 10  
Use, 10  
Maintenance, 10

### Instructions for the installer

Installation, 12  
Gas connection, 12  
Electrical connection, 12  
User characteristics, 13

### Assistance, 14

**THIS APPLIANCE IS CONCEIVED FOR DOMESTIC USE ONLY. THE MANUFACTURER SHALL NOT IN ANY WAY BE HELD RESPONSIBLE FOR WHATEVER INJURIES OR DAMAGES ARE CAUSED BY INCORRECT INSTALLATION OR BY UNSUITABLE, WRONG OR ABSURD USE.**

### Dear customer,

We thank you and congratulate you on your choice. This new carefully designed product, manufactured with the highest quality materials, has been carefully tested to satisfy all your cooking demands. We would therefore request you to read and follow these easy instructions which will allow you to obtain excellent results right from the start. May we wish you all the very best with your modern appliance!

**THE MANUFACTURER**

GB

# Instructions for use

GB

## Installation

All the operations concerned with the installation (electrical and gas connections, adaptation to type of gas, necessary adjustments, etc.) must be carried out by qualified technicians, in terms with the standards in force. For specific instructions, kindly read the part reserved for the installation technician.

## Use

### Gas burners (Fig. 1-3).

The ignition of the gas burner is carried out by putting a small flame to the upper part holes of the burner, pressing and rotating the corresponding knob in an anti-clockwise manner, until the maximum position has coincided with the marker. When the gas burner has been turned on, adjust the flame according to need. The minimum position is found at the end of the anticlockwise rotation direction. In models with automatic ignition, operate the knob as described above, pressing simultaneously, the corresponding push button. For models with automatic/simultaneous (with one hand) ignition, it is sufficient to proceed as described above using the corresponding knob. The electric spark between the ignition plug and the burner provides the ignition of the burner itself. After ignition, immediately release the push-button and adjust the flame according to need. For models with a thermoelectric safety system, the burner is ignited as in the various cases described above, keeping the knob fully pressed on the maximum position for approximately 3/5 seconds. After releasing the knob, make sure the burner is actually lit.

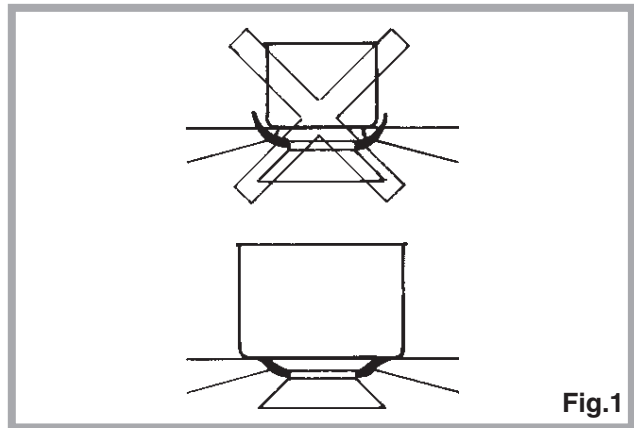
### N.B.:

- we recommend the use of pots and pans with a diameter matching that of the burner, thus preventing the flame from escaping from the bottom part and surrounding the pot
- do not leave any empty pots or pans on the fire
- do not use any tools for grill-cooking on Crystal hobs. When cooking is finished, it is also a good norm to close the main gas pipe tap and/ or cylinder.

### Important

- a) on floors with thermoelectric protection do not keep the ignite button pushed for more than 15 seconds. If the burner has not ignited after 15 seconds, open the door of the room and wait at least one minute before making a further attempt.
- b) on floors without protection, should the burner flame go out close the corresponding gas cock and wait at least one minute before making any attempt to ignite it.

## Gas



MINIDUAL

Ø 20-32

## Maintenance Gas/Electrical

Prior to any operation, disconnect the appliance from the electrical system. For long-life to the equipment, a general cleaning operation must take place periodically, bearing in mind the following:

- the glass, steel and/or enamelled parts must be cleaned with suitable non-abrasive or corrosive products (found on the market). Avoid chlorine-base products (bleach, etc.);
- avoid leaving acid or alkaline substances on the working area (vinegar, salt, lemon juice, etc.).
- the wall baffle and the small covers (mobile parts of the burner) must be washed frequently with boiling water and detergent, taking care to remove every possible encrustation. Dry carefully and check that none of the burner holes is fully or partially clogged;
- the stainless steel grids of the working area, after having been heated, take on a bluish tint which does not deteriorate the quality. To bring colour back to its original state, use a slightly abrasive product.

**N.B.** - Cleaning of the taps must be carried out by qualified personnel, who must be consulted in case of any functioning anomaly. Check periodically the state of conservation of the flexible gas feed pipe. In case of leakage, call immediately the qualified technicians for its replacement.

## DO NOT USE STEAM CLEANERS

### Safety warnings

Do not use or store flammable materials near this appliance.

Do not spray aerosols in the vicinity of this appliance while it is in operation.

Not suitable for operation with aftermarket lids or covers fitted.

Do not modify this appliance.

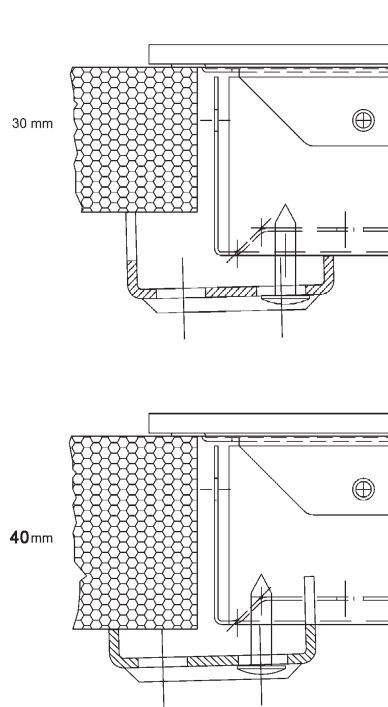
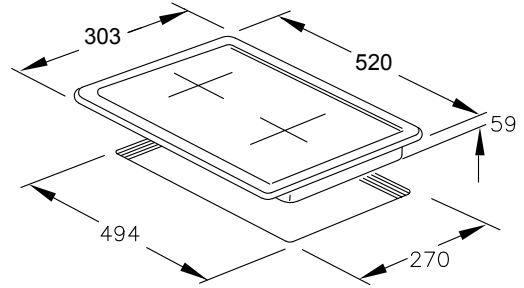
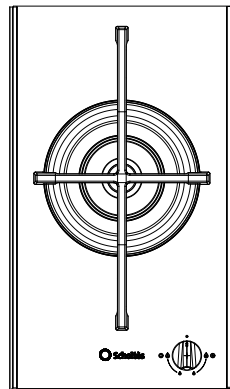
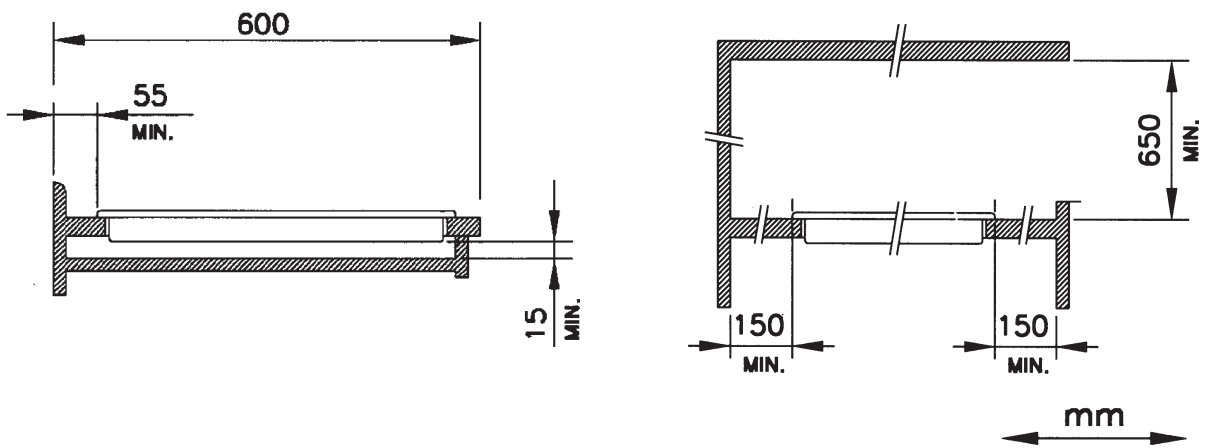


Fig. 2



# Instructions for the installer

Installation must be in accordance with this instruction manual, AS/NZS 5601 'Gas installations' for installation and pipe sizing, local gas fitting regulations, municipal building codes, local electrical regulations and any other statutory regulation by an authorised person.

GB

## Installation

This appliance is not provided with a combustion product discharge. It is recommended that it be installed in sufficiently aerated places, in terms of the laws in force. The quantity of air which is necessary for combustion must not be below 2.0 m<sup>3</sup>/h for each kW of installed power. See table of burner power.

### Positioning (Fig. 2)

The appliance can be fitted into a working area as illustrated on the corresponding figure. Before positioning the hob, fit the seal (X) around the entire periphery of the hole cut in the worktop.

### Gas connection (Fig. 3)

Connect the appliance according to the prescribed standards in force, and ensure beforehand, that the appliance matches the type of gas available. Otherwise, see "Adaptation to various types of gas". Furthermore, check that the feed pressure falls within the values described on the table: "User characteristics". Rigid/semi rigid metal connection Carry out the connection with fittings and metal pipes (even flexible pipes) so as to obtain counter stress the inner parts of the appliance.

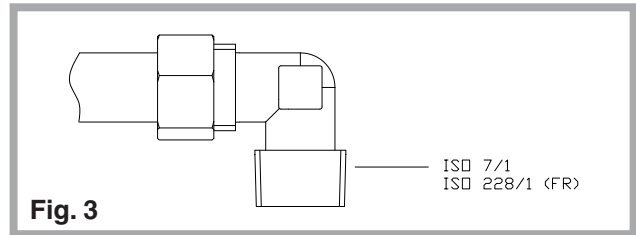
**N.B.** - when the installation has been carried out, check the perfect sealing of the entire connection system, by using a soapy solution.

Where this appliance is installed in marine craft or in caravans, it shall not be used as a space heater.

Flexible hose assembly (if used) must comply with AS/NZS 1869 Class B or D, be of appropriate internal diameter, be kept as short as possible (not to exceed 1.2 metres), must not be kinked or in contact with any hot surface. The supply connection point shall be accessible with the appliance installed.

Gas leakage and operation of the appliance must be tested by the installer before leaving. Check burner flames are blue in colour, stable and completely ignite at both high and low flame settings with no appreciable yellow tipping, carbon deposition, lifting, floating, lighting back or objectionable odour. Test burners individually and in combination, When satisfied with the operation of the cooker, please instruct the user on the correct method of operation.

For other minor adjustments or if the appliance does not perform correctly; contact Arisit Pty Ltd 1300 762 219



**Natural Gas:** the supplied regulator must be fitted to the appliance inlet isolating manual shut-off valve connection point must be accessible when the appliance is installed.

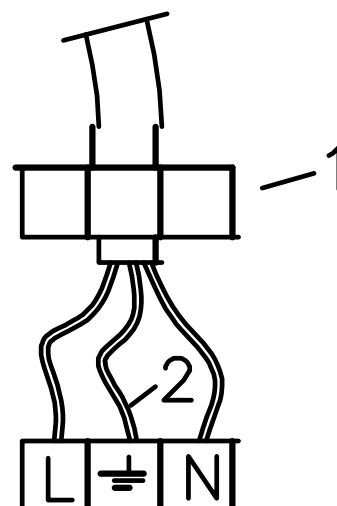
**ULPG:** the supplied test point adaptor must be fitted to the appliance inlet connection. Gas pressure must be adjusted to 2.75 kPa, the appliance test point located on the test point adaptor.

### Electrical connection (Fig. 4)

Prior to carrying out the electrical connection, please ensure that:

- the plant characteristics are such as to follow what is indicated on the matrix plate placed at the bottom of the working area;
- that the plant is fitted with an efficient earth connection, following the standards and law provisions in force. The earth connection is compulsory in terms of the law.

Should there be no cable and/or plug on the equipment, use suitable absorption material for the working temperature as well, as indicated on the matrix plate. Under no circumstance must the cable reach a temperature above 50°C of the ambient temperature. If connecting directly to the mains power supply, fit a multi-pole switch of a suitable size for the rated capacity with a clearance distance which completely disconnects the power line under overvoltage category III conditions, consistently with the rules of installation (the yellow/green earth wire must not be interrupted). The plug or omnipolar switch must be easily reached on the installed equipment.



- 1 - CABLE-CLAMP
- 2 - YELLOW/GREEN

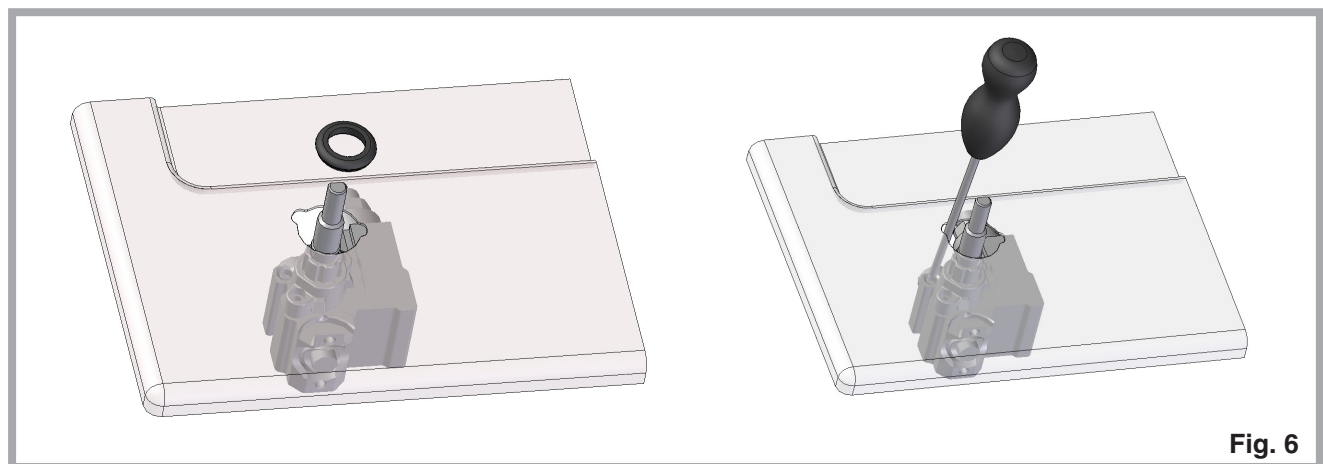
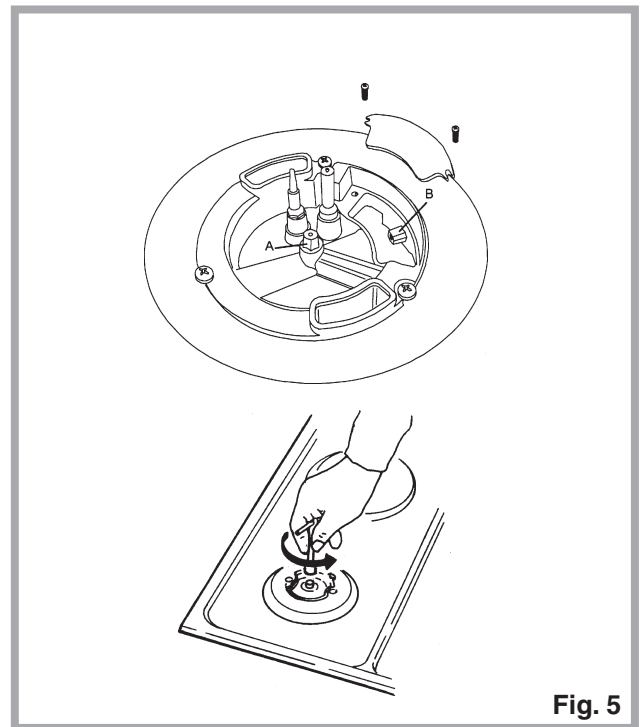
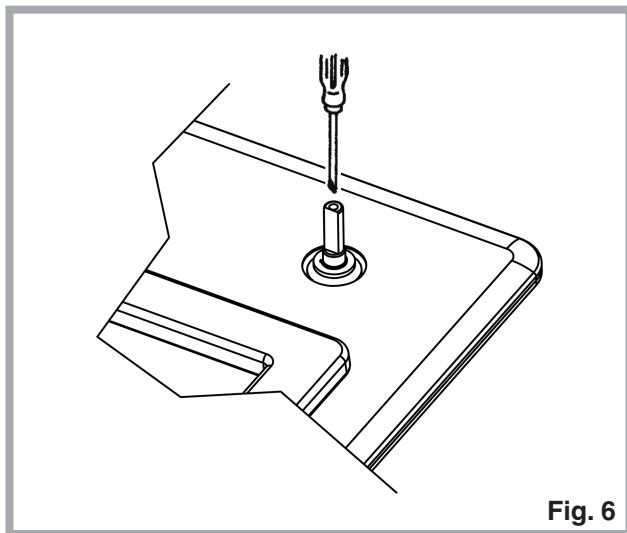
Fig. 4

To avoid all risk, if the power cable becomes damaged, it must only be replaced by the manufacturer, by an authorised service centre, or by a qualified electrician.

### Adaptation to various types of gas (Fig. 5)

Should the appliance be pre-set for a different type of gas than that available, proceed as follows:

- replace the injectors (Fig. 5) with the corresponding type of gas to be used (see table “Uses characteristics”).
- to adjust to the minimum, use a screwdriver on the screw placed on the tap (Fig. 6) after turning the tap to its minimum position. For LPG (butane/propane) screw tight



Hotplate	Burner	Gas Type	Injector Size (mm)	TPP (kPa)	NGC (MJ/h)
MGN 31 (L)	Dual wok	Natural gas	1 x 1.35 1 x 0.66	1.0	14.5
	Dual wok	Universal LPG	1 x 0.93 1 x 0.37	2.75	14.5

Where the data plate is obscured by cabinetry when the cooker is in the installed position, place the supplied duplicate data plate to a suitable adjacent surface or within the instruction manual for future reference.

## Assistance

### Before contacting After-Sales Service:

1. See if you can solve the problem yourself.
2. Switch the appliance on again to see if the problem has been solved. If it has not, disconnect the appliance from the power supply and wait for about an hour before switching on again.
3. If the problem persists after this course of action, contact After-Sales Service.

### Specify:

- the nature of the fault,
- the model
- the service number (the number after the word SERVICE on the rating plate on the rear of the appliance)
- your full address,
- your telephone number and area code.

**Never call on unauthorized technicians and always refuse to purchase non-original spare parts.**

## Service

Annual servicing by an authorised person is recommended. If the appliance produces unusual odour, yellow tipping flame, flame lifting off the burner or is not performing as per the original installation, or for service please contact:  
Arisit Pty Ltd 1300 762 219

The manufacturer declines all responsibility for possible inaccuracies contained in this pamphlet, due to printing or copying errors. We reserve the right to make on our own products those changes to be considered necessary or useful, without jeopardizing the essential characteristics.

