

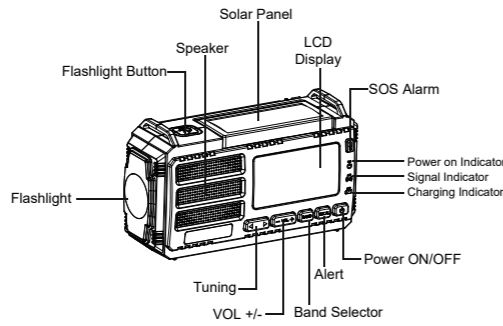
CONTENTS:

- RADIO OPERATION
- WEATHER ALERT
- SOS ALARM
- READING LAMP
- FLASHLIGHT
- 3 POWER METHODS
- BATTERY PROTECTION
- POWER THE DEVICE
- EARPHONE JACK
- CARE AND MAINTENANCE
- SPECIFICATION
- WARRANTY
- PACKING LIST

-1-

Note: Please turn on the power switch(on the back side) to "ON" before using each function.

RADIO OPERATION



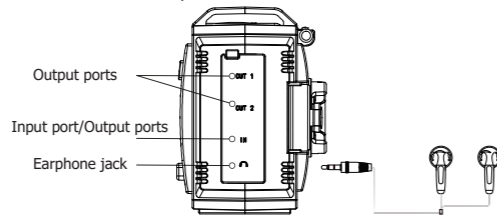
- Turn on the radio by pressing the power button, press it again to turn it off.
- Press the left or right buttons to navigate between radio stations. Adjust the volume by pressing the volume buttons.
- The green LED will light up when the radio has found a stable reception/channel. Extend the antenna and adjust the direction to get better signal.
- The blue LED will light up when the batteries are being used

-2-

- It will cut of the power source when the voltage is lower than 2.7V and protects the battery from being over-discharged and damaged.

POWER THE DEVICE

- Connect the USB device to the USB/USB-C output port of the unit via USB/USB-C cable to power the USB device. When the device is used as a power bank (discharge), the power indicator lights will diminish.
 - Use C-to-C cable when charging for the unit by USB-C. (C-to-C cable not supplied)
- This feature is suggested to use in emergency, do not use it as a normal power bank.



-7-

WEATHER ALERT

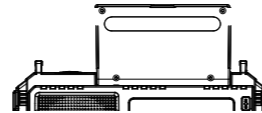
- When the radio is on, press "WX AL" button to switch to weather alert mode. Once receives bad weather information, "ALERT" will flash on the screen and the device will alarm.
- Press button "WX AL" or "BAND" to exit weather alert mode.

SOS ALARM

- Long press the SOS button for 3s to activate the loud siren and the flashing far beam
- Press the SOS button again to turn it off.

READING LAMP

- Open the solar panel, the reading lamp lights up, and close the solar panel it will light off.



-3-

EARPHONE JACK

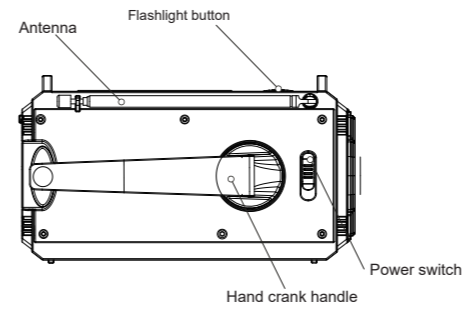
- Insert the 3.5mm Earphone jack to listen to the radio to enjoy your leisure time.
- If you press the SOS button at this time, you will hear the SOS alarm in the earphone. It will return to the radio function when you turn off the SOS function.

CARE AND MAINTENANCE

- For the first use or when the unit idles over 60 days, please hand crank for 1 minutes to activate the internal battery.
- The device shall not be exposed to dripping or splashing, and objects filled with liquids should not be placed on the device.
- Please do not over discharge the unit, so as not to reduce the internal battery life, or even damage the battery.
- Avoid flashlight light directly into the eyes, or it will hurt the eyes.

-8-

FLASHLIGHT



- The first press on the flashlight button, the far beam lights up.
- The second press on the flashlight button, the dipped beam lights up.
- The third press with both far and dipped beam light up.
- The fourth press with both light off.

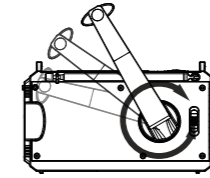
-4-

SPECIFICATION

Frequency range	FM 87~108MHz AM 520~1710KHz WB/ALERT: 1: 162.400 MHz 2: 162.425 MHz 3: 162.450 MHz 4: 162.475 MHz 5: 162.500 MHz 6: 162.525 MHz 7: 162.550 MHz
Dimensions	175x80x98mm
Weight	570g
Power consumption	7w
Working voltage	2.4~4.2V
Power source	10000mAh / 3.7V
Power input	USB-C 5V 2A
Waterproof level	IPX3
LED flashlight	200LM(Max)
Power of flashlight	2W
Power of reading lamp	1.2W

-9-

3 POWER METHODS



Ⓐ USB CHARGING

- The waterproof cover on the side of this product has 2 USB output ports, a USB input port and an earphone jack.
- Connect the supplied USB-C cable to the USB Input port on the unit's right side to charge the built-in lithium battery. Meanwhile, the red charging indicator light will light up.

- **Please have the radio charged at least once every three months.**

Ⓑ HAND CRANK POWER

- The radio can also be charged by turning the handle at the back of the device.

-5-

WARRANTY

- The device has a full 12-month warranty against manufacturing defects from the date of purchase.

PACKING LIST

- Radio x 1
- User Manual x 1
- USB-C Cable x 1
- Gift box x 1

- The charging indicator light will light red when the handle is being turned.
- Rotate the rocker clockwise or counterclockwise, and keep it at a constant speed of 130 rpm for 1 minute, which can be used for far beam or dipped beam for 10 minutes or radio work for 5-6 minutes.

Ⓒ SOLAR POWER

- Place the unit in clear sunlight to let it charge as efficiently as possible.
- The charging indicator will turn red when charging.
- The charging effect depends on the intensity of the sunlight. Stronger sunlight gives a better effect.
- It is mostly used for maintaining the battery, to prolong the battery life.

BATTERY PROTECTION

- This emergency radio is designed with a feature of shutdown in low voltage. To protect the chip, the power supply will be cut off to protect the battery from damage when there is an overload or a short circuit in this unit.

-6-



Made in China

User manual

Multi-function Emergency Radio
With LCD Screen

-10-