



Russell Hobbs

Convection Heater



Model Number:

RHCVH4003

220-240V AC, 50Hz, 2000-2300W

This product is only suitable for well insulated spaces or occasional use

For Customer Services & Spare Parts please call **0345 209 7461**

Or visit us at <https://mda.russellhobbs.com>

PLEASE RETAIN
FOR FUTURE REFERENCE

CONTENTS

	Page(s)
Safety Instructions and Electrical Safety	3 – 6
Feature Diagram	7
Base Assembly	8
Using your Convection Heater	9-13
Cleaning and Care	14
Problem Solving	15
Guarantee and Customer Services	16
Spare Parts	17
Connection to the Mains Supply	18
Specification	19
Disposable Information	20

SAFETY INSTRUCTIONS

When using electrical appliances, basic safety precautions should always be observed, including the following:

- Read all instructions.
- Check that the your mains voltage corresponds with the rating on the appliance.
- This appliance must be positioned upright on the floor away from curtains, furniture or wall coverings and other flammable items.
- The appliance must not be left unattended while it is connected to the mains supply.
- Do not touch hot surfaces. Use the handle or the controls.
- To protect against electrical shock do not immerse cord, plug, or appliance in water or other liquid. Do not operate with wet hands.
- Do not let the cord hang over the edge of a worktop, table etc. or touch hot surfaces.
- Do not operate any appliance with a damaged cord or plug, or after the appliance malfunctions or is dropped or damaged in any manner. The supply cord cannot be replaced. If the cord is damaged the appliance should be scrapped.
- The use of accessory attachments not recommended by the appliance manufacturer may cause fire, electric shock or injury.
- This appliance must not be immersed in any liquid
- To disconnect remove the plug from the mains outlet. Do not pull the plug out by the cord.

SAFETY INSTRUCTIONS

- Never remove parts from the appliance, such as the feet, screws and so on.
- Never use the appliance near a bath, shower or a swimming pool.
- Never place flammable objects or clothing on top of the appliance.
- Allow a 100cm safe area around the appliance on the top and sides and a 150cm safe area at the front.
- Never use the appliance in a room with explosive gas such as petrol, or while using any kinds of flammable glues, sprays or solvents.
- Do not place any part of your body near the air inlet, outlet or on the fins ,to avoid personal injury, electric shock or fire.
- If overheating should occur, the built-in overheating safety device will shut the appliance off.
- Prevent overheating of the appliance by keeping the air inlets and outlets clean and free of anything that may cause blockage. Check all inlets and outlets regularly for accumulated dust.
- **DO NOT COVER.**
- Caution: Some parts of this product can become very hot and cause burns. Particular attention must be given when children and vulnerable people are present.
- Do not insert any foreign objects into the grill.
- Keep all grills clear of any draped fabric or curtains.
- The appliance must not be located immediately below a mains socket. Do not use the appliance with a programmer, timer or any other device that switches the appliance on automatically. A fire risk exists if the appliance is covered or positioned incorrectly.

SAFETY INSTRUCTIONS

- Do not operate this appliance for any thing other than its intended use.
- This appliance is not intended for commercial use
- **This product is intended for household use only.** Do not use outdoors.
- This product is only intended for heating.
- **Warning:** It is hazardous for anyone other than a competent person to carry out any service or repair operation which involves the removal of a cover which gives protection against exposure to electrical parts.
- **Warning:** Children of less than 3 years should be kept away unless continuously supervised.
- Children aged from 3 years and less than 8 years shall only switch on/off the appliance provided that it has been placed or installed in its intended normal operating position and they have been given supervision or instruction concerning use of the appliance in a safe way and understand the hazards involved.
- Children aged from 3 years and less than 8 years shall not plug in, regulate and clean the appliance or perform user maintenance.
- **Warning:** This appliance is not intended for use by persons (including children) with reduced physical, sensory or mental capabilities, or lack of experience and knowledge, unless they have been given supervision or instruction concerning use of the appliance by a person responsible for their safety. Children should be supervised to make sure that they do not play with or use the appliance.
- **Warning:** In order to avoid overheating, do not cover the heater

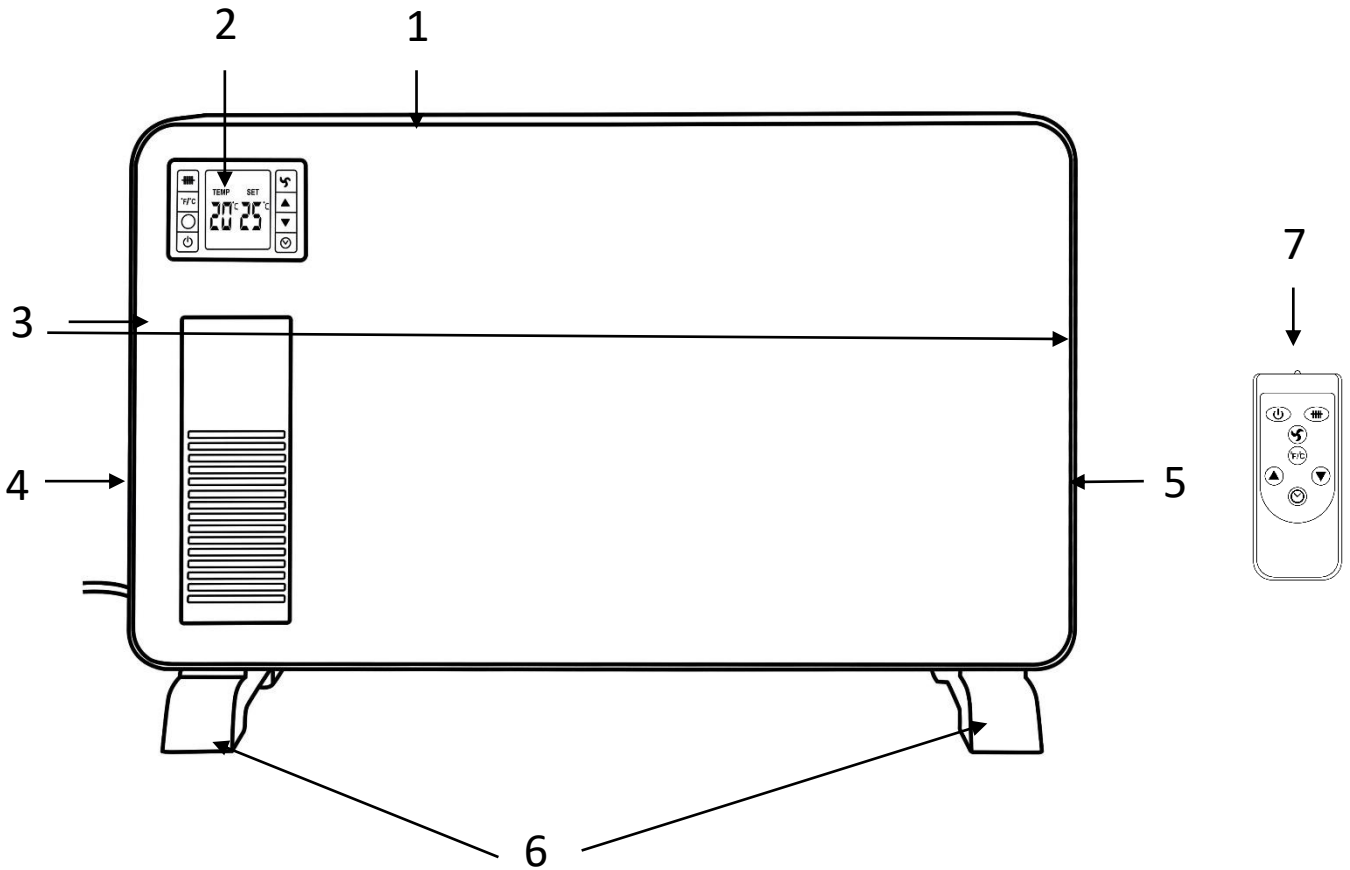
SAFETY INSTRUCTIONS

Electrical Safety

THIS APPLIANCE MUST BE PLUGGED INTO AN EARTHED SOCKET

- Before switching on, make sure that the voltage of your electricity supply is the same as that indicated on the rating plate. This product is designed to operate on 220 - 240V AC; 50Hz. Connection to any other power source may damage the unit.
- This product may be fitted with a non re-wireable plug. If it is necessary to change the fuse in the plug, the fuse cover must be refitted. If the fuse cover becomes lost or damaged, the plug must not be used until a suitable replacement is obtained.
- If the plug has to be changed because it is not suitable for your socket, or becomes damaged in any way, it should be cut off and an appropriate plug fitted. This should be carried out by a qualified electrician. The plug removed must be disposed of safely, as insertion into a 13 Amp socket is likely to cause an electrical hazard.

FEATURE DIAGRAM

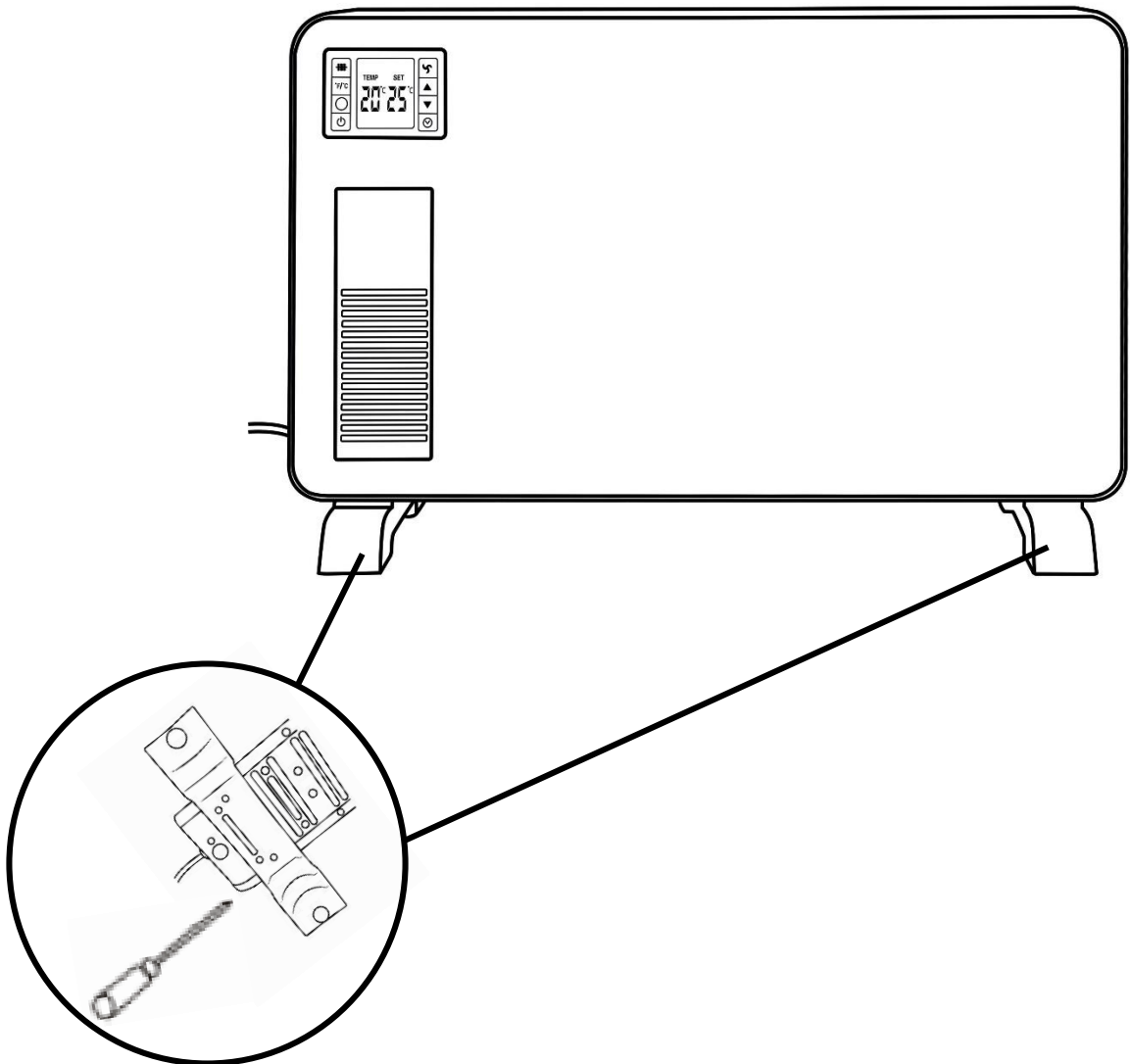


- | | |
|---|--------------------------|
| 1. Air outlet | 5. Remote control holder |
| 2. Control panel, buttons & LCD display | 6. Feet |
| 3. Handles | 7. Remote control |
| 4. Power switch | |

For Customer Services & Spare Parts please call **0345 209 7461**
Or visit us at <https://mda.russellhobbs.com>

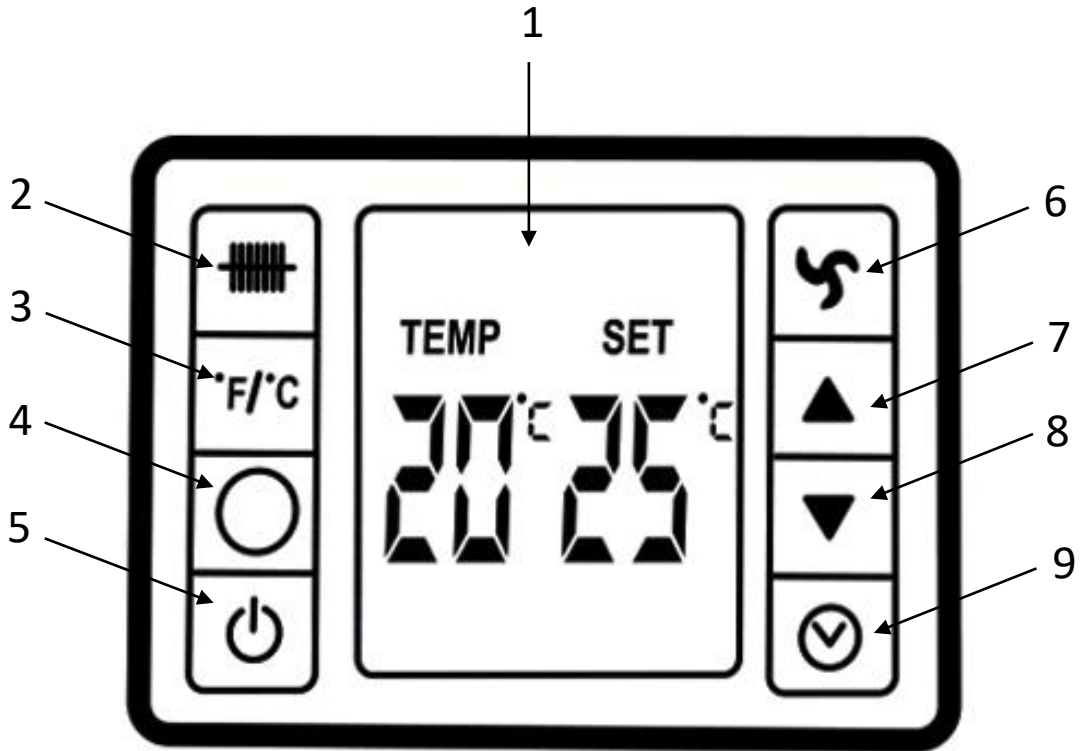
BASE ASSEMBLY

Before using the heater, the feet must be fitted to the unit. These are to be attached to the base of the heater using the 4 screws provided. Carefully lie the heater on its side and insert the screws, taking care to ensure that they are located correctly in the bottom ends of the plastic mouldings.



USING YOUR CONVECTION HEATER

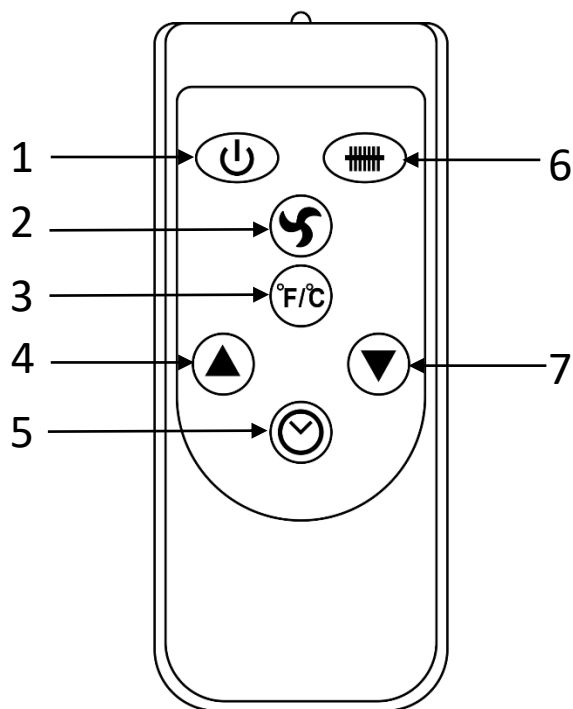
Display & controls



1. LCD Display
2. Heat setting button
3. °F/°C temperature setting button
4. Remote control infrared sensor
5. Power button
6. Fan button
7. Up control button
8. Down control button
9. Timer button

USING YOUR CONVECTION HEATER

Remote control



1. Power button
2. Fan button
3. °F/°C temperature setting button
4. Up temperature control button
5. Timer button
6. Heat setting button
7. Down temperature button

USING YOUR CONVECTION HEATER

MANUAL OPERATION

1. Before connecting your appliance to the mains socket, position the appliance upright on the floor, at least 100cm away from the wall, away from curtains, furniture or wall coverings.
2. Insert the mains plug into a suitable 13 amp mains socket.
3. Turn on the power switch on the left hand side of the unit.
4. Press the power button on the unit or the power button on the remote control to power on the unit. The temperature of the unit will be at its highest setting
5. Press the heat setting button on the unit or the remote control and select the heat setting you require. The appliance has 4 power settings and these will be shown on the LCD display: 1000W, 1300W, 2300W and ❄ Frost protection. The Frost protection is a setting that operates when the ambient temperature of the room that the heater has been placed in falls below 5°C. The heater automatically turns on at an appropriate heat setting to keep the room temperature at 5°C or higher. This means the heater may cycle on and off as and when the temperature of the room is below or over 5°C
6. Select the required temperature by using the '^' and 'v' buttons on the unit or the remote control. It is recommended to select the highest temperature to pre heat the appliance. It will take 5 - 10 minutes for the appliance to fully heat up. The thermostat has a range of 5°C - 37°C.
7. When the room reaches the desired temperature, the radiator will cycle off and turn on again when the temperature drops.

USING YOUR CONVECTION HEATER


8. If the room temperature falls below the desired temperature, the heating elements will turn on again until the room temperature reaches the desired temperature.

Note: this heater will cool down slowly after the power is shut off. Allow the heater to cool prior to any movement, the built in carry handles should be used for easy movement.

TIMER

1. The heater has a 24 hour timer and it can be set between 1 and 24 hours.
2. To set the timer press the timer button on the unit or the remote control. The display will show 'Timer 1h 00m', press the timer button again and the display will show 'Timer 2h 00m'. This indicates a timer setting of 2 hours and if no button is pressed then this will be set and the unit will shut off in 2 hours.
3. Note, the heat setting and temperature setting can be changed after the timer setting has been confirmed.
4. To cancel the timer setting you can either change the timer setting so the display is blank or press the power button to turn the unit off.

FAN

1. The heater has a fan with a single speed setting. To turn the fan on during operation press the  button on the unit or the remote control.
2. This will propel the air over the heating elements in the unit and increase the speed in which the unit heats up the room it is placed in.

USING YOUR CONVECTION HEATER

°F/°C TEMPERATURE SETTING

1. The temperature of the heater can be shown in °F or °C. Press the °F / °C button to change the temperature on the display to either °F or °C. The default setting is °C.

LCD DISPLAY

1. The LCD display will show the ambient temperature of the room it is placed in and the temperature it has been set to reach.
2. The display will also show the heat setting that has been selected, if the timer has been selected/set and if the fan has been selected.

Safety Protective Devices - The appliance is fitted with an over heat protection system.

- Overheat protection - the power to the heating elements will automatically cut off if the temperature of the heating elements exceeds a certain limit. In the event of overheating, the heater will stop operating. Once the appliance has completely cooled the appliance will then resume operating as normal.

CLEANING AND CARE

WARNING: Electrical Shock Hazard.

Before you clean the appliance, disconnect the mains plug from the wall socket.

- Allow the appliance to cool down completely before cleaning.
- Do not immerse cord, plug or appliance in any liquid or allow moisture to come into contact with electrical parts.
- Clean the outer surface using a moist cloth and wipe over with a dry, soft cloth.
- Do not use harsh detergents, abrasives or spray on cleaners.
- Don't allow water to seep into the openings or come into contact with electrical connections.
- Allow sufficient drying time before operating again.
- Clean the air inlets and outlets regularly with a vacuum cleaner using the brush attachment (with regular use, at least twice a year).
- When the appliance is not in use. We recommend that, the heater is re-packed in its original packaging and stored in a cool, dry place.

PROBLEM SOLVING

My appliance does not work when I turn it on:

1. Check that your appliance is plugged in and the power is turned on at the mains socket.
2. Try another mains socket.
3. Check the appliance is in an upright position.
4. Check that the heat and temperature setting has not been set too low.
5. If the appliance still doesn't work, do not try to repair it yourself.
6. Check the timer setting (if your model has a timer).

If your appliance power is automatically cut off, follow the step below:

1. Unplug your appliance from the mains socket and allow it to completely cool down.
2. Inspect your appliance. Clean the air inlet and air outlet with a vacuum cleaner if necessary. If there are any signs of physical damage (e.g. melting, or burning of the case), do not attempt to use the appliance. Please leave all maintenance work to qualified personnel.
3. Plug in the appliance and switch it on again. If it cuts off again, move the appliance to a better ventilated location.

GUARANTEE AND CUSTOMER SERVICES

At Russell Hobbs, we take all our customer feedback seriously.

Feel free to contact our Customer Service Team, on 0345 209 7461, who will be more than happy to assist you.

This product is guaranteed for **12 months** from the date of the original purchase. If any defect arises due to faulty materials or workmanship, the faulty product must be returned to the place of purchase. Refund or replacement is at the discretion of the retailer.

The following conditions apply:

- The product must be returned to the retailer with the original proof of purchase.
- The product must be installed and used in accordance with the instructions contained in this instruction guide and any other instructions for use which are supplied.
- It must be used for domestic purposes only and for its intended use.
- This warranty does not cover wear and tear, damage, misuse or consumable parts.

This does not affect your statutory rights.

For Customer Services & Spare Parts please call **0345 209 7461**
Or visit us at **<https://mda.russellhobbs.com>**

SPARE PARTS

To check the availability of the following spare parts, simply contact our friendly Customer Services team using the details provided at the bottom of this page.

Feet and screws
Remote control

For Customer Services & Spare Parts please call **0345 209 7461**
Or visit us at **<https://mda.russellhobbs.com>**

CONNECTION TO THE MAINS SUPPLY

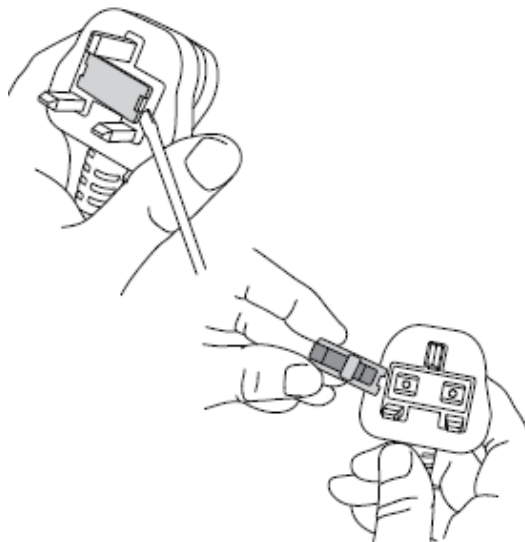
This appliance is designed to operate from a mains supply of 220-240V~50Hz.

Check that the voltage marked on the product corresponds with your supply voltage.

How to change the fuse

1. Slot the end of a screwdriver into the recess in the fuse holder of the plug.
2. Pull the fuse holder upwards until free of the plug and slide the fuse out.
3. Replace the fuse and replace fuse holder, pushing down until locked into place.

Important: Only ever use a 13 amp fuse.



SPECIFICATION

Model number	RHCVH4003
Rated voltage	220V - 240V ~ 50Hz
Power consumption	2300W
Product dimensions (CMS)	(H)43 x (W)69 x (D)20

Model number	RHCVH4003				
Item	Symbol	Value	Unit	Item	Unit
Heat output			Type of heat input, for electric storage local space heaters only		
Nominal heat output	P_{nom}	2.3	kW	manual heat charge control, with integrated thermostat	NA
Minimum heatoutput (indicative)	P_{min}	0.0107	kW	manual heat charge control with room and/or outdoor temperature feedback	NA
Maximum continuous heat output	$P_{max,c}$	2.3	kW	electronic heat charge control with room and/or outdoor temperature feedback	NA
				fan assisted heat output	NA
Auxiliary electricity consumption			Type of heat output/room temperature control		
At nominal heat output	e_{lmax}	N/A	kW	single stage heat output and no room temperature control	No
At minimum heat output	e_{lmin}	N/A	kW	Two or more manual stages, no room temperature control	No
In standby mode	e_{lSB}	0.0006	kW	with mechanic thermostat room temperature control	No
				with electronic room temperature control	Yes
				electronic room temperature control plus day timer	No
				electronic room temperature control plus week timer	No
			Other control options (multiple selections possible)		
				room temperature control, with presence detection	No
				room temperature control, with open windowdetection	No
				with distance control option	No
				with adaptive start control	No
				with working time limitation	No
				with black bulb sensor	No
Contact details	G2S LIMITED WIGAN, WN2 4AY				





Russell Hobbs

For Customer Services & Spare Parts
please call

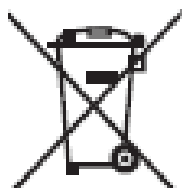
0345 209 7461

Or visit us at

<https://mda.russellhobbs.com>

Revision 1.4

Model: RHCVH4003



This symbol is known as the 'Crossed-out wheellie bin Symbol'. When this symbol is marked on a product/batteries, it means that the product/batteries should not be disposed of with your general household waste. Only discard electrical/electronic/battery items in separate collection schemes, which cater for the recovery and recycling of materials contained within. Your co-operation is vital to ensure the success of these schemes and for the protection of the environment. For your nearest disposal facility, visit www.recycle-more.co.uk or ask in store for details.

We reserve the right, due to possible changes to design, to alter the instruction manual without prior notice.