

Contents

1 Instructions	4
1.1 Introduction	4
1.2 This user manual	4
1.3 Intended use	4
1.4 General safety instructions	5
1.5 Manufacturer liability	7
1.6 Identification plate	7
1.7 Disposal	7
2 Description	8
2.1 Product description	8
3 Use	9
3.1 Before first use	9
3.2 Assembling the citrus juicer	9
3.3 Using the citrus juicer	10
4 Cleaning and care	12
4.1 Instructions	12
4.2 Cleaning the motor base	12
4.3 Cleaning the components of the citrus juicer	12

We advise you to read this manual carefully, it contains all the instructions for maintaining the appliance's aesthetic and functional qualities.

For further information on the product: www.smeg.com

The manufacturer reserves the right to make any changes deemed useful for improvement of its products without prior notice. The illustrations and descriptions contained in this manual are therefore not binding and are merely indicative.



Instructions

1 Instructions

1.1 Introduction

Important information for the user:

Instructions



General information on this user manual, on safety and final disposal.

Description



Description of the appliance and its accessories.

Use



Information on using your appliance.

Cleaning and care



Information for correct cleaning and care of the appliance.



Safety instructions



Information



Advice

1.2 This user manual

This user manual is an integral part of the appliance and must therefore be kept in its entirety and in an accessible place for the whole working life of the appliance.

1.3 Intended use

- Use the appliance only indoors.
- The appliance is designed exclusively for home use.
- The appliance may be used to extract the juice of citrus fruit (oranges, grapefruit and lemons). Every other use is considered improper. Do not use the appliance for anything other than the intended use.
- The appliance may be used:
 - In staff canteen areas in shops, offices and other working environments
 - Farm houses
 - By guests in hotels, motels and other residential type environments;
 - Bed and breakfast type environments
- The appliance is not designed to operate with external timers or with remote-control systems.
- This appliance must not be used by people (including children) of reduced physical, sensory or mental capacity, or lacking in experience in the use of electrical appliances, provided that they are supervised or instructed by adults who are responsible for their safety.



1.4 General safety instructions

Follow all safety instructions in order to be able to use the appliance safely.

- Read this user manual carefully before using the appliance.
- Switch off the appliance and disconnect it from the power supply before changing moving or detachable parts (i.e. juicing cone, strainer, juice collector).
- Switch the appliance off immediately after use.
- Do not leave the appliance unattended while it is operating.
- Disconnect the appliance from the power socket as soon as you have finished using it and before cleaning it.
- Do not immerse the appliance, the power cord or the plug in water or any other liquid.
- Do not use the appliance if the power cable or plug appears to be damaged or if the appliance has been dropped or damaged in any way.
- If the power supply cable is damaged, contact technical support immediately to arrange replacement in order to avoid any possible hazards.
- Prevent the power cable from coming into contact with sharp edges.
- Do not pull on the cord to unplug it from the power socket.
- Do not place the appliance above or near lit hob burners or electric rings, inside an oven or near other heat sources.
- Do not try to repair the appliance yourself or without the assistance of a qualified engineer.
- In the event of a fault, repairs should only be carried out by a qualified engineer.
- Do not modify the appliance.
- Never try to put out a fire or flames with water: turn off the appliance and remove the plug from the socket and smother the flames with a fire blanket or other appropriate cover.
- Disconnect the appliance from the power socket before assembly, disassembly and cleaning, and as soon as you have finished using it.
- This appliance may be used by children from the age of 8 provided they are supervised or instructed on the safe use of the appliance and they understand the associated risks.
- Cleaning and maintenance may be performed by children from the age of 8 as long as they are appropriately supervised.
- Children must never play with the appliance. Keep the appliance out of children's reach.



Instructions

For this appliance

- Do not touch moving parts while the appliance is operating. Keep hands, hair and clothing, and utensils away from moving parts during operation, to prevent personal injury and/or damage to the appliance.
- Always disconnect the citrus juicer from the power socket if it is left unattended and before assembly, disassembly or cleaning.
- Unplug the citrus juicer when it is not being used, before cleaning it and if you notice any fault.
- Let the citrus juicer cool down before cleaning.
- Do not lift, pull or move the citrus juicer using its cable. Always hold the citrus juicer by its motor body when moving it.
- Do not overfill the juice collector.
- Do not use the citrus juicer for long time. The motor could overheat!
- Do not use the citrus juicer with parts or accessories of other manufacturers.
- Only use original spare parts. The use of spare parts not approved by the manufacturer could lead to fires, electric shocks or personal injury.
- Only place the citrus juicer on level and dry surfaces.
- Ensure that the citrus juicer is correctly assembled before operating it.
- Avoid spraying liquid on the motor body and cable of the citrus juicer or getting them wet. In the event of contact with liquid, immediately unplug the citrus juicer and dry it thoroughly: Electric shock hazard!
- Do not leave citrus pulp to dry on the citrus juicer surfaces.
- Before use, check that the strainer and spout are not blocked by pulp residue.
- Keep the citrus juicer clean and empty before and after each use.
- Do not use the citrus juicer for storing objects.
- Do not use harsh detergents or sharp objects to wash or remove pulp residue from the citrus juicer's components.



1.5 Manufacturer liability

The manufacturer shall not be liable for injuries or property damage caused by:

- Any use of the appliance other than the one it was designed for.
- Not having read the user manual.
- Tampering with any part of the appliance.
- The use of non-original spare parts.
- Not following the safety instructions.

1.6 Identification plate

The identification plate bears the technical data, serial number and brand name of the appliance. Do not remove the identification plate for any reason.

1.7 Disposal



This appliance must be disposed of separately from other waste (Directive 2012/19/EU). The appliance does not contain substances in quantities sufficient to be considered hazardous to health and the environment, in accordance with current European directives.

- **Old electrical appliances must not be disposed of together with domestic waste!** To comply with current legislation, old appliances, on reaching the end of their useful lives, should be taken to a disposal facility where they can be sorted. In this way, any valuable material contained in the old appliances can be recycled, helping to protect the environment. The relevant local authorities or their waste disposal operators can provide further information.

Our appliances are packed in non-polluting and recyclable materials.

- Dispose of the packing materials at an appropriate recycling facility.



Plastic packaging Danger of suffocation

- Do not leave the packaging or any part of it unattended.
- Do not let children play with the plastic bags.



Electrical voltage Danger of electrocution

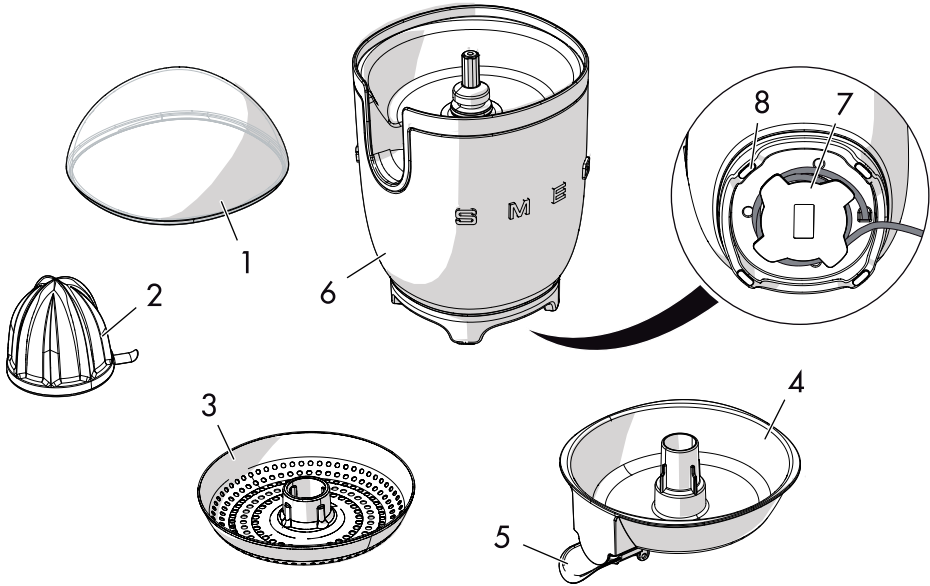
- Disconnect the main power supply.
- Unplug the appliance.



Description

2 Description

2.1 Product description



Model CJF01 - Citrus Juicer

- | | |
|--------------------------------|----------------------------------|
| 1 BPA-free dust cover | 5 Non-drip stainless-steel spout |
| 2 Stainless-steel juicing cone | 6 Die-cast aluminium motor body |
| 3 Stainless-steel strainer | 7 Built-in cord wrap |
| 4 BPA-free juice collector | 8 Anti-slip feet |

i The components intended to come into contact with food are made of materials that comply with the provisions of current legislation.



3 Use



Danger of electrocution

- Plug into an earthed 3-pin socket.
- Do not remove the earth pin.
- Do not use an adapter.
- Do not use an extension cord.
- Failure to follow these instructions could result in death, fire, or electrical shock.

3.1 Before first use

1. Remove any labels and stickers from the citrus juicer.
2. Carefully wash the components of the citrus juicer and leave to dry completely (see "4 Cleaning and care").

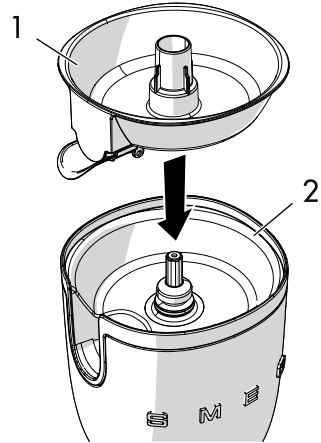


Danger of sudden start-up

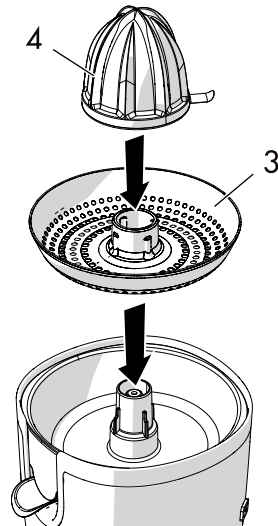
- Make sure the citrus juicer is unplugged before fitting or removing the juicer components.

3.2 Assembling the citrus juicer

1. Insert the juice collector (1) in its housing above the motor body (2).



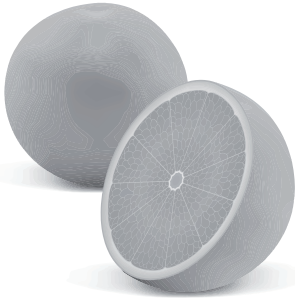
2. Fit the strainer (3) on the juice collector, then fit the cone (4) on the strainer.





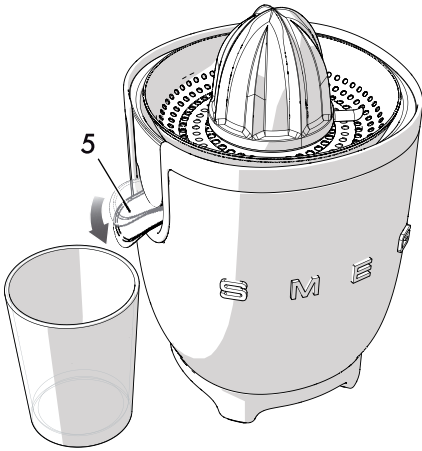
3.3 Using the citrus juicer

1. Cut the citrus fruit in half.



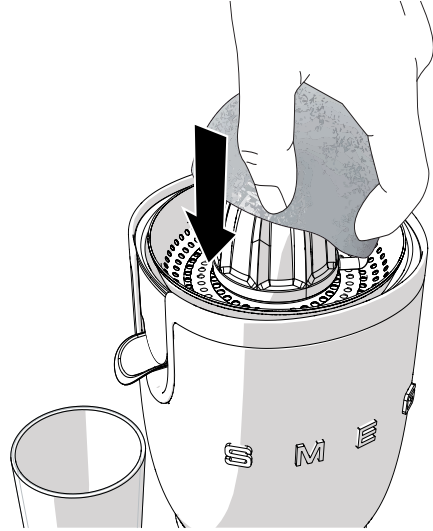
2. Place the citrus juicer on a level and dry surface.

3. Open the non-drip spout (5) by lowering it, and position a glass or other recipient underneath.

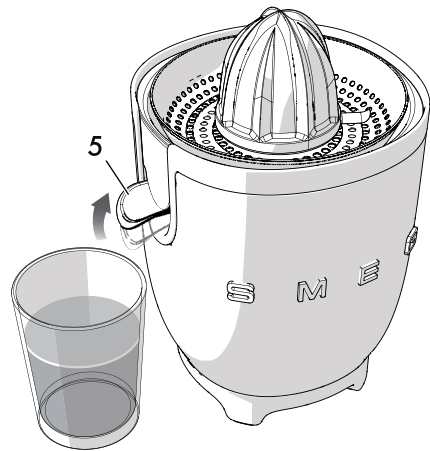


4. Insert the plug into the power socket.

5. Press the citrus half onto the juicing cone, ensuring that the non-drip spout is open. The motor will start up automatically.



6. Once all juice has been extracted from the citrus half, remove it from the cone to automatically stop the motor, and close the non-drip spout (5) again.





Moving parts

Risk of personal injury or damage to the appliance

- Do not operate the citrus juicer for long time. Leave the appliance to cool down before operating it again.
- Do not insert fingers, forks or spoons into the spout. This could cause personal injury or damage the appliance.
- Keep hands, hair, loose jewellery, ties or clothing, spatulas and other objects away from the citrus juicer's cone and strainer to avoid personal injury or damage to the appliance.
- Do not touch the juicing cone or the strainer while the citrus juicer is plugged in.



- Do not overfill the juice collector.
- Do not press the citrus fruit down too hard onto the cone in order to prevent the bitter pith being extracted with the juice.
- Ensure that the spout is not blocked.
- Do not leave citrus pulp residue to dry on the citrus juicer surfaces.
- Do not use hard or sharp objects to remove pulp so as not to scratch or damage the strainer or juicing cone.



4 Cleaning and care

4.1 Instructions



Improper use
Danger of electrocution

- Unplug the citrus juicer before cleaning it.
- Do not immerse the motor base in water or other liquids.



Improper use
Risk of damage to surfaces

- Do not use steam jets to clean the appliance.
- Do not use cleaning products containing chlorine, ammonia or bleach on parts with metallic finishes (e.g. anodised, nickel- or chrome-plated).
- Do not use abrasive or corrosive detergents (e.g. powder products, stain removers and metallic scourers).
- Do not use rough or abrasive materials or sharp metal scrapers.

4.2 Cleaning the motor base

To keep the outer surface of the motor base in good condition, it should be cleaned regularly after use. Let the appliance cool down first. Use a soft, damp cloth with mild detergent.

4.3 Cleaning the components of the citrus juicer

The juicing cone, cover, strainer and juice collector can be washed in the dishwasher. Dry the components thoroughly, ensuring you fit the dust cover when the appliance is not in use.

