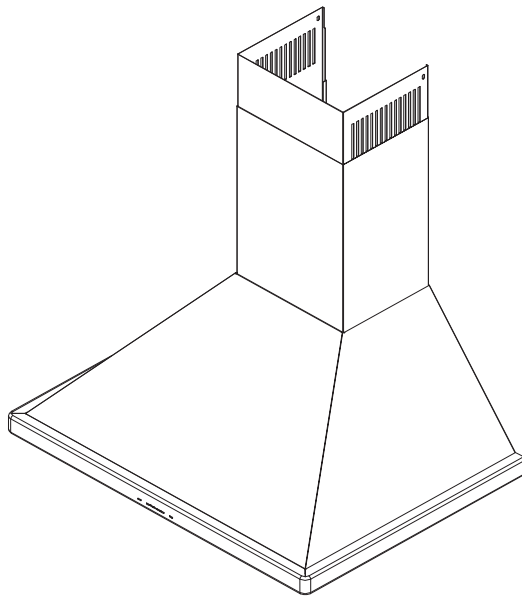


Use, Care, and Installation Guide

Siena

ZSI-E30AS

ZSI-E36AS



Model number: _____

Serial Number: _____



SAFETY NOTICE 2-3

LIST OF MATERIALS 4

INSTALLATION

 Ducting Calculation Sheet 5

 Mounting Height & Clearance 6

 Ducting Options 7

 Hood Specifications 8

 Mounting the Range Hood 9

 Ductless Recirculating 10

FEATURES & CONTROLS

 ICON Touch Controls 11-12

MAINTENANCE

 Cleaning and Filter Care 13

 Light Bulbs 14

TROUBLESHOOTING 15

FAN CURVE DIAGRAMS 16-17

WIRING DIAGRAM 18

LIST OF PARTS AND ACCESSORIES 19



Important Safety Notice

WARNING

TO REDUCE THE RISK OF FIRE OR ELECTRIC SHOCK, DO NOT USE THIS FAN WITH ANY SOLID-STATE CONTROL DEVICE.

WARNING

TO REDUCE THE RISK OF FIRE ELECTRIC SHOCK, OR INJURY TO PERSONS, OBSERVE THE FOLLOWING:

- a. Use this unit only in the manner intended by the manufacturer, if you have questions, contact the manufacturer.
- b. Before servicing or cleaning unit, switch power off at service panel and lock panel to prevent power from being switched on accidentally. When the service disconnecting means cannot be locked, securely fasten a prominent warning device, such as a tag, to the service panel.

CAUTION

For general ventilating use only. Do not use to exhaust hazardous or explosive materials and vapors. Take care when using cleaning agents or detergents. Suitable for use in household cooking area.

WARNING

TO REDUCE THE RISK OF RANGE TOP GREASE FIRE:

- a. Never leave surface units unattended at high settings. Boilovers cause smoking and greasy spillovers that may ignite. Heat oils slowly on low or medium settings.
- b. Always turn hood ON when cooking at high heat or when flaming food
- c. Clean ventilating fans frequently. Grease should not be allowed to accumulate on fan or filter.
- d. Use proper pan size. Always use cookware appropriate for the size of the surface element.
- e. Keep fan, filters and grease laden surfaces clean.
- f. Use high setting on hood only when necessary.
- g. Don't leave hood unattended when cooking.
- h. Always use cookware and utensils appropriate for the type of and amount of food being prepared.

WARNING

TO REDUCE THE RISK OF INJURY TO PERSONS IN THE EVENT OF A RANGE TOP FIRE, OBSERVE THE FOLLOWING:

- a. SMOTHER FLAMES with a close-fitting lid, cookie sheet, or metal tray, then turn off the burner. BE CAREFUL TO PREVENT BURNS. If the flames do not go out immediately, EVACUATE AND CALL THE FIRE DEPARTMENT.
- b. NEVER PICK UP A FLAMING PAN – You may be burned.
- c. DO NOT USE WATER, including wet dishcloths or towels – a violent steam explosion will result.
- d. Use an extinguisher ONLY if:
 - 1. You know you have a Class ABC extinguisher, and you already know how to operate it.
 - 2. The fire is small and contained in the area where it started.
 - 3. The fire department is being called.
 - 4. You can fight the fire with your back to an exit

WARNING

TO REDUCE THE RISK OF FIRE, ELECTRIC SHOCK OR INJURY TO PERSONS, OBSERVE THE FOLLOWING:

- a. Installation work and electrical wiring must be done by qualified person(s) in accordance with all applicable codes and standards. Including fire-rated construction.
- b. Sufficient air is needed for power combustion and exhausting of gases through the flue (chimney) of fuel burning equipment to prevent back-drafting. Follow the heating equipment manufacturer's guideline and safety standards such as those published by the National Fire Protection Association (NFPA) and the American Society for Heating, Refrigeration and Air Conditioning Engineers (ASHRAE) and the local code authorities.
- c. When cutting or drilling into wall or ceiling, do not damage electrical wiring and other hidden utilities.
- d. Ducted fans must always vent to the outdoors.
- e. NEVER place a switch where it can be reached from a tub or shower.
- f. Make sure the power is off before installing, wiring or maintenancing.



WARNING

TO REDUCE THE RISK OF FIRE, USE ONLY METAL DUCTWORK.

CAUTION

To reduce risk of fire and to properly exhaust air outside - Do not vent exhaust air into spaces within walls, ceilings, attics, crawl spaces or garages.

OPERATION

Always leave safety grilles and filters in place. Without these components, operating blowers could catch onto hair, fingers and loose clothing.

The manufacturer declines all responsibility in the event of failure to observe the instructions given here for installation, maintenance and suitable use of the product. The manufacturer further declines all responsibility for injury due to negligence and the warranty of the unit automatically expires due to improper maintenance.

***NOTE: Please check www.zephyronline.com for revisions before doing any custom work.**

ELECTRICAL REQUIREMENTS

Important:

Observe all governing codes and ordinances.

It is the customer's responsibility:

- To contact a qualified electrical installer.
- To assure that the electrical installation is adequate and in conformance with National Electrical Code, ANSI/NFPA 70 latest edition* or CSA standards C22.1-94, Canadian Electrical Code, Part 1 and C22.2 No.0-M91 - latest edition** and all local codes and ordinances.

If codes permit and a separate ground wire is used, it is recommended that a qualified electrician determine that the ground path is adequate.

Do not ground to a gas pipe.

Check with a qualified electrician if you are not sure the range hood is properly grounded.

Do not have a fuse in the neutral or ground circuit.

*National Fire Protection Association Batterymarch Park, Quincy, Massachusetts 02269

** CSA International 8501 East Pleasant Valley Road, Cleveland, Ohio 44131-5575

This appliance requires a 120V 60Hz electrical supply and connected to an individual properly grounded branch circuit protected by a 15 or 20 ampere circuit breaker or time delay fuse. Wiring must be 2 wire with ground. Please also refer to Electrical Diagram on product.

A cable locking connector (not supplied) might also be required by local codes. Check with local requirements, purchase and install appropriate connector if necessary.

ZSI-E30AS / ZSI-E36AS - 550 Watts, 4.6 Amps

Power consumption shown above is the default power specs. Hoods with Zephyr's proprietary Airflow Control Technology (ACT) enabled will consume less power. See wiring diagram at the end of this manual for more information.



List of Materials

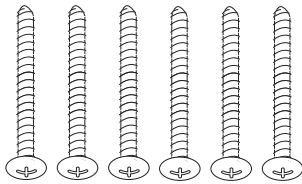
MODELS: ZSI-E30AS, ZSI-E36AS

PARTS SUPPLIED

- 1 - Hood with internal blower
- 2 - Baffle filters
- 1 - Duct cover assembly (*top and bottom*)
- 1 - Duct cover wall bracket
- 2 - 50W halogen light bulbs
- 1 - 8" round backdraft damper
- 1 - Hardware package

HARDWARE PACKAGE CONTENTS

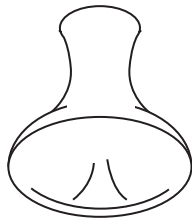
(6) M4 x 1-1/2"



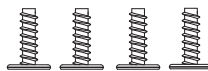
(2) M4 x 8



(1) Light Bulb Removal
Suction Cup



(4) M4 x 8"

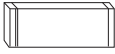


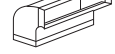


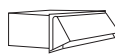













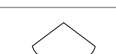


PARTS NOT SUPPLIED

- Ducting, conduit and all installation tools
- Cable connector (if required by local codes)
- Duct cover extension accessory
- Recirculating kit accessory



Installation – Ducting Calculation Sheet

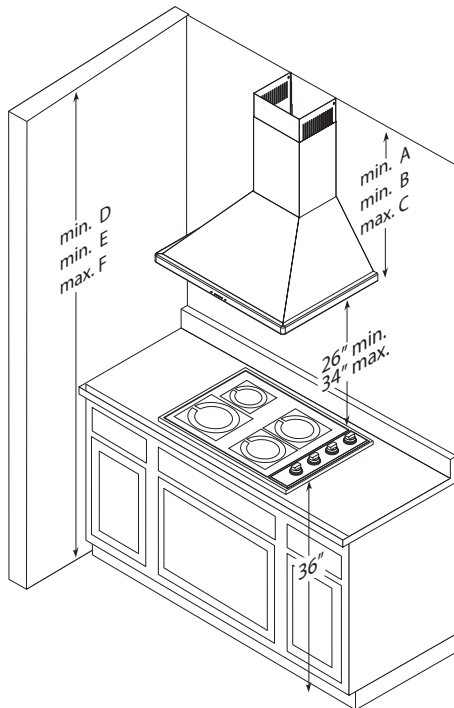
Duct pieces		Equivalent number length x used =	Total
	3-1/4" x 10" Rect., straight	1 Ft. x () =	Ft.
	7" Round, straight	1 Ft. x () =	Ft.
	8" Round, straight	1 Ft. x () =	Ft.
	3-1/4" x 10" Rect. 90° elbow	15 Ft. x () =	Ft.
	3-1/4" x 10" Rect. 45° elbow	9 Ft. x () =	Ft.
	3-1/4" x 10" Rect. 90° flat elbow	24 Ft. x () =	Ft.
	3-1/4" x 10" Rect. wall cap with damper	30 Ft. x () =	Ft.
	3-1/4" x 10" Rect. to 6" round transition	5 Ft. x () =	Ft.
	3-1/4" x 10" Rect. to 6" round transition 90° elbow	20 Ft. x () =	Ft.
	8" Round, 90° elbow	15 Ft. x () =	Ft.
	8" Round, 45° elbow	9 Ft. x () =	Ft.
Subtotal column 1 =			Ft.

Duct pieces		Equivalent number length x used =	Total
	6" - 8" Round wall cap with damper	30 Ft. x () =	Ft.
	6" - 8" Round, roof cap	30 Ft. x () =	Ft.
	6" round to 3-1/4" x 10" rect. transition	1 Ft. x () =	Ft.
	6" round to 3-1/4" x 10" rect. transition 90° elbow	16 Ft. x () =	Ft.
	7" or 8" Round, 90° elbow	15 Ft. x () =	Ft.
	7" or 8" Round, 45° elbow	9 Ft. x () =	Ft.
	7" or 8" Round wall cap with damper	30 Ft. x () =	Ft.
	7" or 8" Round, roof cap	30 Ft. x () =	Ft.
	7" round to 3 1/4" x 10" rect. transition	8 Ft. x () =	Ft.
	7" round to 3-1/4" x 10" rect. transition 90° elbow	23 Ft. x () =	Ft.
Subtotal column 2 =			Ft.
Subtotal column 1 =			Ft.
Total ductwork =			Ft.

Maximum Duct Length: For satisfactory air movement, the total duct length should not exceed 100 equivalent feet.



Installation – Mounting Height & Clearance



Hood Heights	Standard Duct Cover	Extension Duct Cover
minimum ducted (A)	27-1/2"	46"
minimum recirculating (B)	32"	50-1/2"
maximum (C)	42"	79"
Ceiling Heights		
minimum ducted (D)	89-1/2" (7' 5-1/2")	108" (9')
minimum recirculating (E)	94" (7' 10")	112-1/2" (9' 4-1/2")
maximum (F)	112" (9' 4")	149" (12' 5")

DUCTING

A minimum of 8" round duct is recommended to maintain maximum air flow efficiency.

Always use rigid type metal ducts only. Flexible ducts could restrict air flow by up to 50%.

Use calculation worksheet on page 5 to compute total duct work.

ALWAYS, when possible, reduce the number of transitions and turns. If a long duct run is required, increase duct size from 8" to 10".

If turns or transitions are required: Install as far away from opening and as far apart, between 2, as possible.

Minimum mount height between range top to hood bottom should be no less than 26".

Maximum mount height should be no higher than 34".

It is important to install the hood at the proper mounting height. Hoods mounted too low could result in heat damage and fire hazard; while hoods mounted too high will be hard to reach and will lose its performance and efficiency.

If available, also refer to range manufacturer's height clearance requirements and recommended hood mounting height above range. Always check your local codes for any differences.

Duct cover extension kit available for ceiling heights up to 12 feet. Turn to page 19 for part number and ordering information.

DAMAGE-SHIPMENT / INSTALLATION:

- Please fully inspect unit for damage before installation.
- If the unit is damaged in shipment, return the unit to the store in which it was bought for repair or replacement.
- If the unit is damaged by the customer, repair or replacement is the responsibility of the customer.
- If the unit is damaged by the installer (if other than the customer), repair or replacement must be made by arrangement between customer and installer.

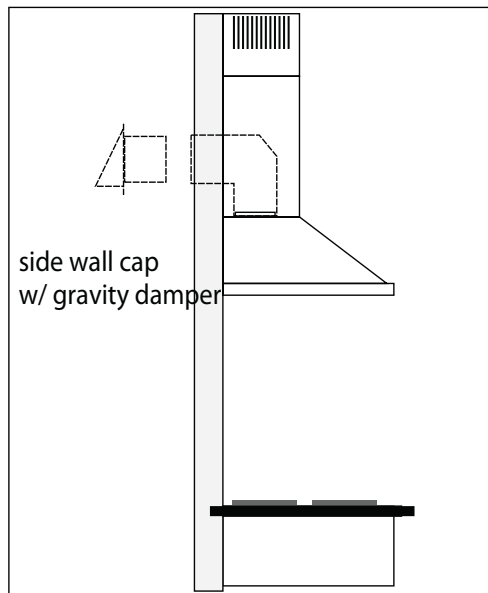
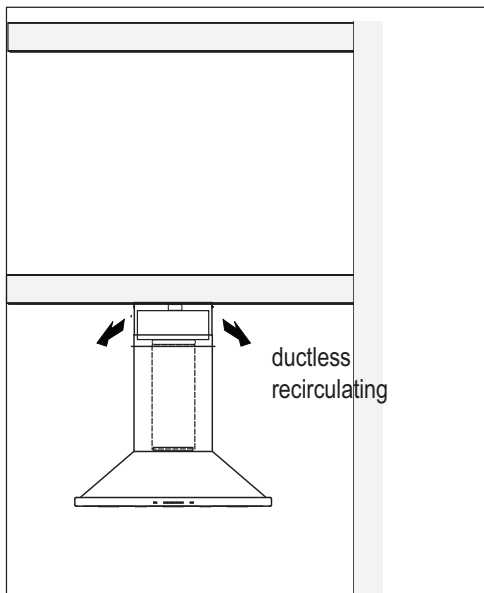
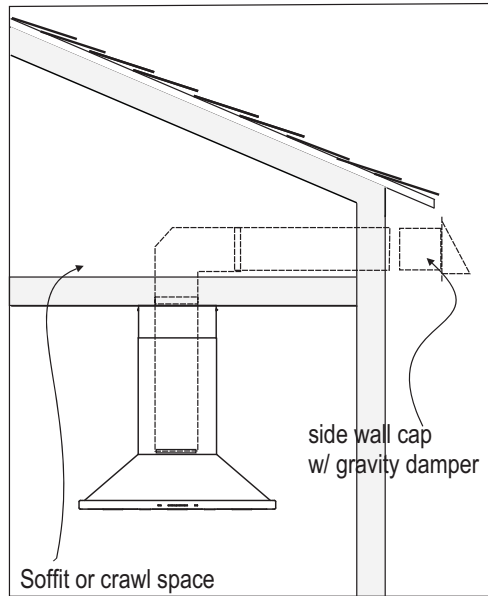
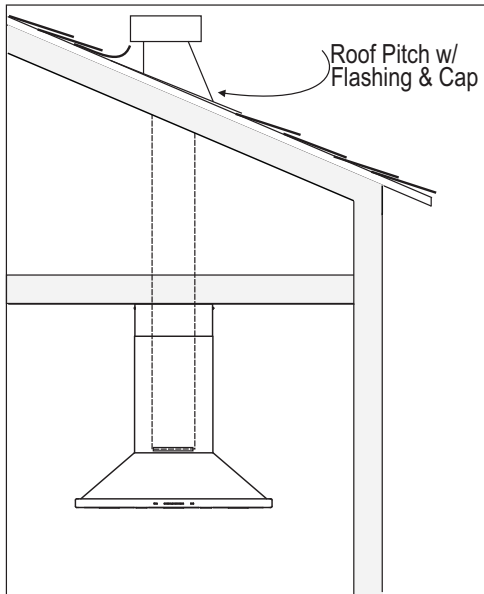
WARNING FIRE HAZARD

NEVER exhaust air or terminate duct work into spaces between walls, crawl spaces, ceiling, attics or garages. All exhaust must be ducted to the outside, unless using the recirculating option.

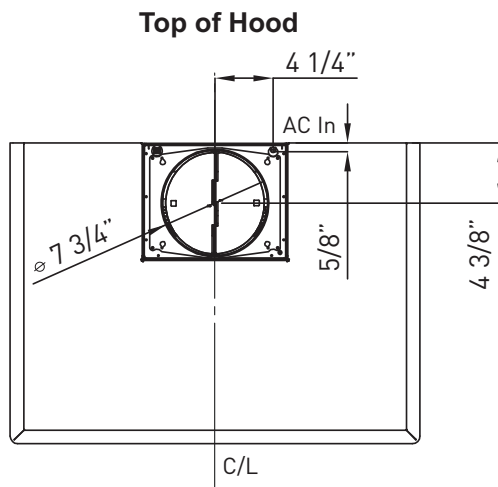
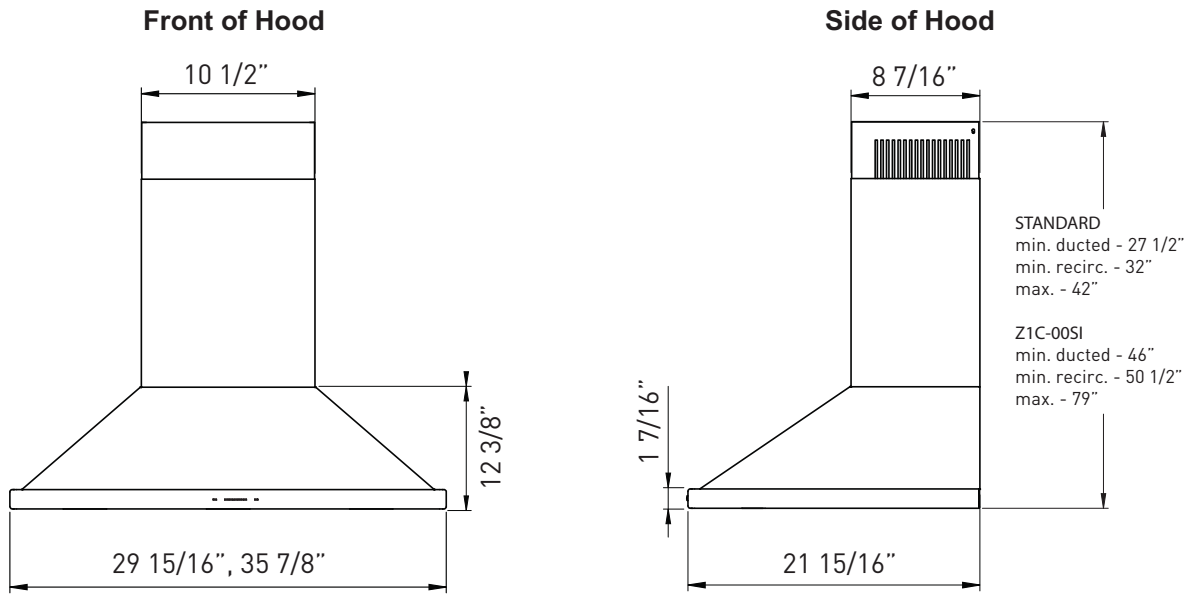
Use single wall rigid Metal ductwork only.

Fasten all connections with sheet metal screws and tape all joints w/ certified Silver Tape or Duct Tape.

Some Ducting Options



Installation – Hood Specifications



⚠ CAUTION: At least two installers are required due to the weight and size of the hood.

1. Measure from range top to hood bottom and mark line A. (26" minimum from range top).
2. Plum and mark center line.
3. Mark mounting height line B. (1-5/16" from line A)
4. Mark mounting height line C. (13-1/8" from line A)
5. Mark mounting spread from C/L on line B 12-3/4"
6. Mark mounting spread from C/L on line C 9-7/16"
7. Fasten (2) M6 x 1-1/4" screws into studs on line C. Do not fasten screws all the way. **Note: wood blocking may need to be added behind the drywall if no studs are present. Wall anchors may also be used but check local codes for compliance. Failure to use suitable wall anchors and screws to hold the weight of the hood could result in personal injury or damage to cooking surface or counter.**
8. Install 8" round duct collar with backdraft damper to top of body of hood by (4) M4x8 flat screws.
9. Hang hood onto screws and hand tighten. (FIG. A #1) Use the last M6 x 1-1/4" screws to further secure the hood to the wall from inside the hood on line B.
10. Center and attach duct cover bracket to wall below ceiling or soffit using (2) M6 x 1" screws.
11. Install electrical.
12. *Install duct work and duct tape.
13. Power up hood and check for leaks around duct tape.
14. Place telescopic duct covers onto hood and extend inner (top) duct cover upwards and secure to duct cover bracket using (2) M4x8" screws.

*If using hood in recirculating mode you must secure air diverter plate onto wall before installing duct work and duct covers. Turn to page 10 for more details.

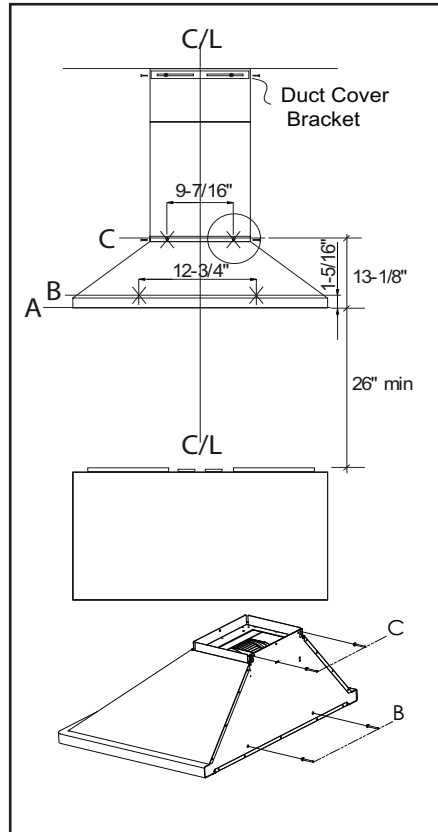


FIG. A

⚠ WARNING: Electrical wiring must be done by a qualified person(s) in accordance with all applicable codes and standards. This range hood must be properly grounded. Turn off electrical power at service entrance before wiring.

Ductless recirculating is intended for applications where an exhaust duct work is not possible to be installed. When converted, the hood functions as a recirculating hood rather than an exhaust hood. Fumes and exhaust from cooking are drawn and filtered by a set of optional charcoal filters. The air is then purified and re-circulated back within the home.

We recommend to ALWAYS exhaust air outside of the home by employing existing or installing new duct work, if possible. The hood is most effective and efficient as an exhaust hood. Only when the exhaust option is not possible should you recourse to converting the hood into a recirculating hood.

When converted to be a recirculating hood, a set of charcoal filters are required on top of its standard Baffle Filter set. Order according to its Part number below. The standard Baffle Filters are intended to capture residue from cooking and the optional charcoal filters help to purify fumes exhausted from cooking for re-circulation.

RECIRCULATING KIT (REQUIRED IF NO DUCTING IS USED)

Kit includes charcoal filters, charcoal filter brackets and air diverter plate.

Hood Model	Part No.	Filters in Pkg.
ZSI-E30AS	ZRC-00SI	2
ZSI-E36AS	ZRC-00SI	2

1. Secure air diverter plate to wall below duct cover wall bracket. (FIG.C)
2. Remove baffle filters from hood. Place charcoal filter over the back side of baffle filter.
3. Secure charcoal filters to back side of baffle filters by two brackets for each filter.
4. Re-install baffle filters.
5. Turn on charcoal filter change indicator on control panel. (refer to details on page 12.) The microprocessor in the controls will indicate the need to change the charcoal filters after 120 hours of continuous use. Order replacement charcoal filters per the list below.

NOTE: See manual included with recirculating kit for more detailed instructions.

Charcoal Filter Replacements

Hood Model	Part No.	Qty to Order
ZSI-E30AS	Z0F-C091	2
ZSI-E36AS	Z0F-C091	2

DO NOT WASH CHARCOAL FILTERS. Charcoal filters may need to be changed more often depending on cooking habits.

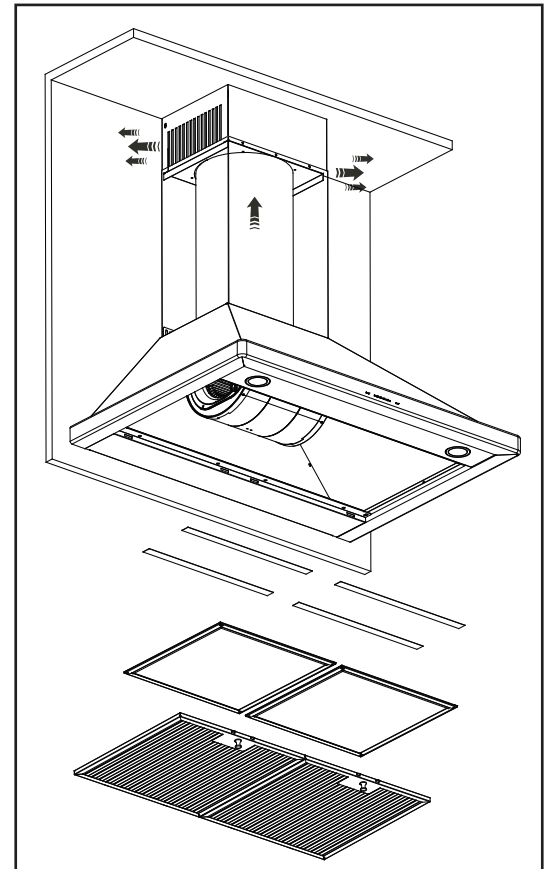
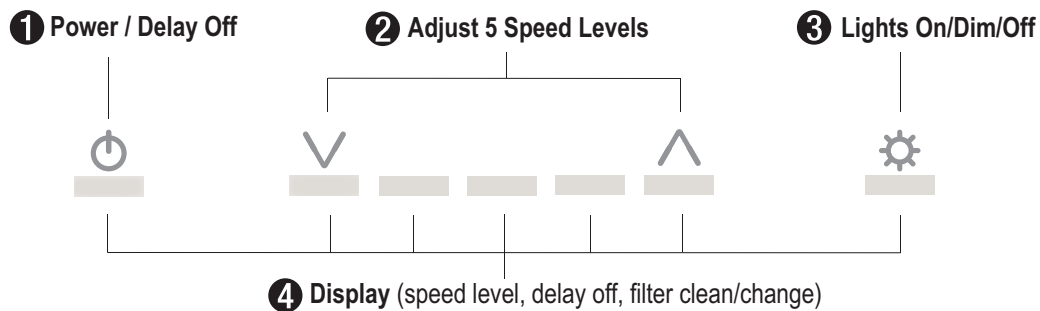


FIG. C



1 POWER / DELAY OFF BUTTON

Power Button Function

- Button will turn power on and off for entire hood (fan and lights).
- Hood will remember the last speed and light level it was turned off at.
(Example: Press Button to turn off hood when on fan speed 4 and high lights. Press Button again and the hood will turn back on at speed 4 and high lights level.)

Delay Off Button Function

- With the fan on press and hold the Button for two seconds. The fan will change to speed 1 and the 5 minute delay off timer will start.
 + LEDs will illuminate and slowly blink in accordance with the time remaining until the fan and lights automatically turn off.
- Pressing Button while Delay Off Function is enabled will turn the hood off and cancel the Delay Off Function.

ACT Verification

- Airflow Control Technology (ACT) allows the installer to set the maximum fan CFM to align with local codes and regulations.
 - To verify the maximum fan CFM:
 - With hood off, hold the Button for two seconds. If all five fan speed indicators illuminate = default maximum CFM. If four fan speed indicators illuminate = 390 maximum CFM. If 3 fan speed indicators illuminate = 290 maximum CFM.

2 SPEED SELECTION BUTTON

Fan Speed Decrease Button

- Press this button to decrease fan speed. 5, 4, 3, 2, 1.
- If fan is On Speed 1 and this button is pressed, fan will power Off.

Fan Speed Increase Button

- Press this button to increase fan speed. Fan On, 1, 2, 3, 4, 5.
- If hood is Off and this button is pressed, fan will turn On Speed 1.

Act Enabled Speed Selections

- When ACT is enabled, the number of fan speeds will be reduced as follows:
 - 390 CFM = Maximum 4 speeds
 - 290 CFM = Maximum 3 speeds

3 LIGHTS BUTTON ⚙️

- Lights are two levels, High and Low.
- From off, press one time for High. Press again for Low. Press again to power lights off.

4 DISPLAY INDICATORS

Mesh Filter Clean Reminder *(always enabled)*

- After 30 hours of fan usage, the ▼ button indicator will begin to slowly blink indicating it is time to clean the mesh filters.
- **To reset:** With hood off: hold the ▼ button for three seconds. All LED indicators will blink two times confirming the 30 hour timer has been reset.

Charcoal Filter Replace Indicator *(disabled by default, must be enabled if recirculating hood)*

- To enable Charcoal Filter Replacement Reminder:
 - With hood off, hold ▲ button and ⚙️ button simultaneously for two seconds. All LED indicators will illuminate for three seconds confirming the Charcoal Filter Replace Reminder is enabled.
- To disable Charcoal Filter Replacement Reminder:
 - With hood off, hold ▲ button and ⚙️ button simultaneously for two seconds. All LED indicators will blink two times confirming the Charcoal Filter Replace Reminder is disabled.
- After 120 hours of fan usage the ▲ button will slowly blink indicating the charcoal filters need replacement.
- **To reset:** With hood off, hold the ▲ button for two seconds. All LED indicators will blink two times confirming the 120 hour timer has been reset.

SURFACE MAINTENANCE:

Clean the hood surface periodically with hot soapy water and clean cotton cloth. Do not use corrosive or abrasive detergent, or steel wool/scouring pads which will scratch and damage surface.

For heavier soil use liquid degreaser.

After cleaning it is recommended that you use non-abrasive stainless steel polish/cleaners, to polish and buff out the stainless luster and grain. Always scrub lightly, with clean cotton cloth, and with the grain.

Do not use any product containing chlorine bleach. Do not use “orange” cleaners.

Baffle Filters

The baffle filters installed by the factory are intended to filter out residue and grease from cooking. They need not be replaced on a regular basis but are required to be kept clean.

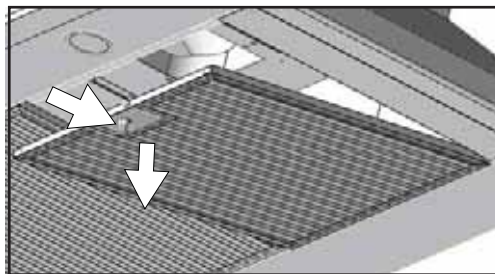
Remove and clean by hand or in dishwasher on low heat. Spray degreasing detergent and leave to soak if heavily soiled.

Dry filters and re-install before using hood.

Removing Baffle Filters

1. Push in on spring loaded handle
2. Pull down on filter handle to remove filter

Should filters wear out due to age and prolonged use, replace with following part number:



Hood Model:	Part No.	Qty. to Order.
ZSI	50200050	2



REPLACING LIGHT BULBS

CAUTION: Light bulb becomes extremely hot when turned on.

DO NOT touch bulb until switched off and cooled. Touching hot bulbs could cause serious burns.

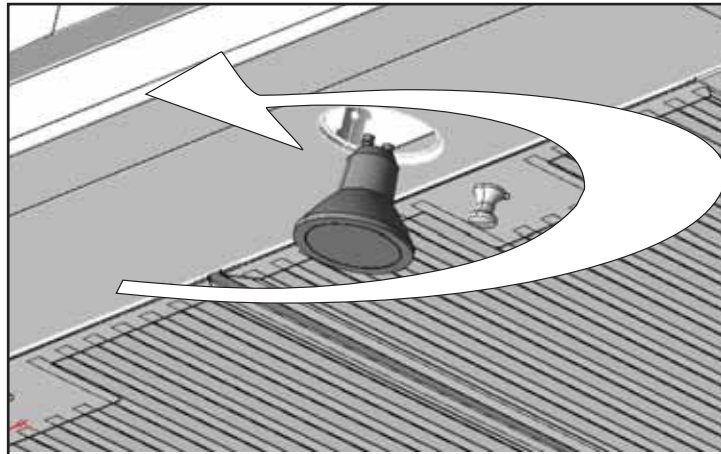
Make sure all power is turned off and bulbs are not hot.

Remove by turning bulb counter clockwise. Note: Bulb does not unscrew; it turns 60 degrees, stops and falls out.

If bulbs are difficult to turn due to prolonged use, firmly attach the included glass suction cup or use a rubber/ latex glove grip and turn the bulb counter clockwise.

Replacement bulbs are available at specialty lighting stores. Purchase type GU-10 50W halogen.

For part numbers please turn to page 19 of the manual.



TROUBLESHOOTING PROCEDURES FOR SIENA WALL

Issue	Cause	What to do
After installation, the unit doesn't work.	1. The power source is not turned ON.	1. Make sure the circuit breaker and the unit's power is ON.
	2. The power line and the cable locking connector is not connecting properly.	2. Check the power connection with the unit is connected properly.
	3. The wires on the control board are loose.	3. Make sure the wires on the control board are connected properly.
	4. The switch board and control board wirings are disconnected.	4. Make sure the wirings between the switch board and control board are connected properly.
	5. The switch board or control board is defective.	5. Change the switch board or control board.
Light works, but blower is not turning.	1. The blower cable is disconnected.	1. Check all wirings from the blower to be sure all cables are connected properly.
	2. The blower is defective, possibly seized.	2. Change the blower.
	3. The thermally protected system detects if the blower is too hot to operate and shuts the blower down.	3. The blower will function properly after the thermally protected system cool down.
	4. The switch board or control board is defective.	4. Change defective part.
The unit is vibrating.	1. The motor is not secure in place.	1. Tighten the motor in place.
	2. Damaged blower wheel.	2. Replace the blower.
	3. The hood is not secured in place.	3. Check the installation of the hood.
The unit is whistling.	1. The filter is not in the correct position.	1. Adjust the filters until the whistling stops.
	2. The duct pipe connections are not sealed or connected properly.	2. Check the duct pipe connections to be sure all connections are sealed properly.
The blower is working, but the lights are not.	1. Defective halogen bulb.	1. Change the halogen bulb.
	2. The halogen bulb wire is loose.	2. Check bulb wire connections at the control board and the light bulbs. Reconnect any loose wires.
The unit turns on by itself.	1. A spot light or kitchen lamp is shining directly onto the switch controls.	1. The switch controls are light sensitive. A direct light source onto the switch controls may disrupt switch functions.
The speed levels of the blower sound the same.	1. Using the wrong size of ducting.	1. Change the ducting to at least 8" or higher.
The hood is not venting out properly.	1. The hood might be hanging too high from the cook top.	1. Adjust the distance between the cook top and the bottom of the hood within 26" and 34" range.
	2. The wind from the opened windows or opened doors in the surrounding area are affecting the ventilation of the hood.	2. Close all the windows and doors to eliminate the outside wind flow.
	3. Blockage in the duct opening or ductwork.	3. Remove all the blocking from the duct work or duct opening.
	4. The direction of duct opening is against the wind.	4. Adjust the duct opening direction.
	5. Using the wrong size of ducting.	5. Change the ducting to at least 8" or higher.
Mesh Filter is vibrating.	1. Mesh filter is loose.	1. Make sure the metal clips in the handle are not stuck. Or replace the mesh filter.
	2. Filter spring clip is loose or broken.	2. Uninstall and reinstall filter, push up on filter latch. Replace mesh filter if needed.

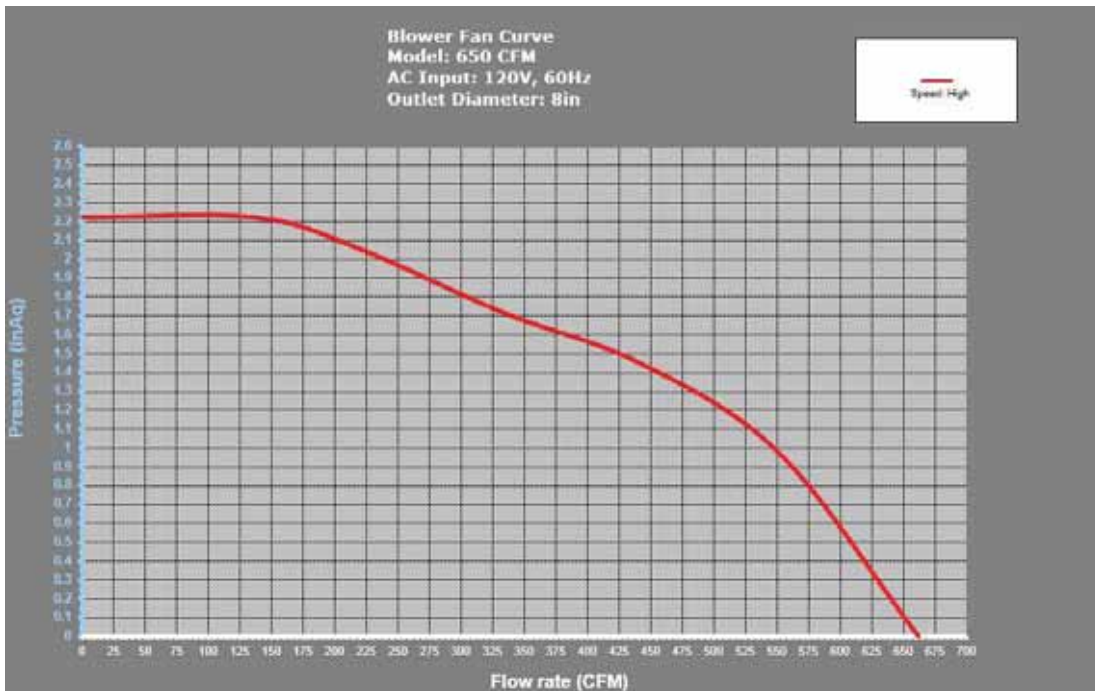
Fan Curve Diagrams

Airflow Control Technology (ACT)

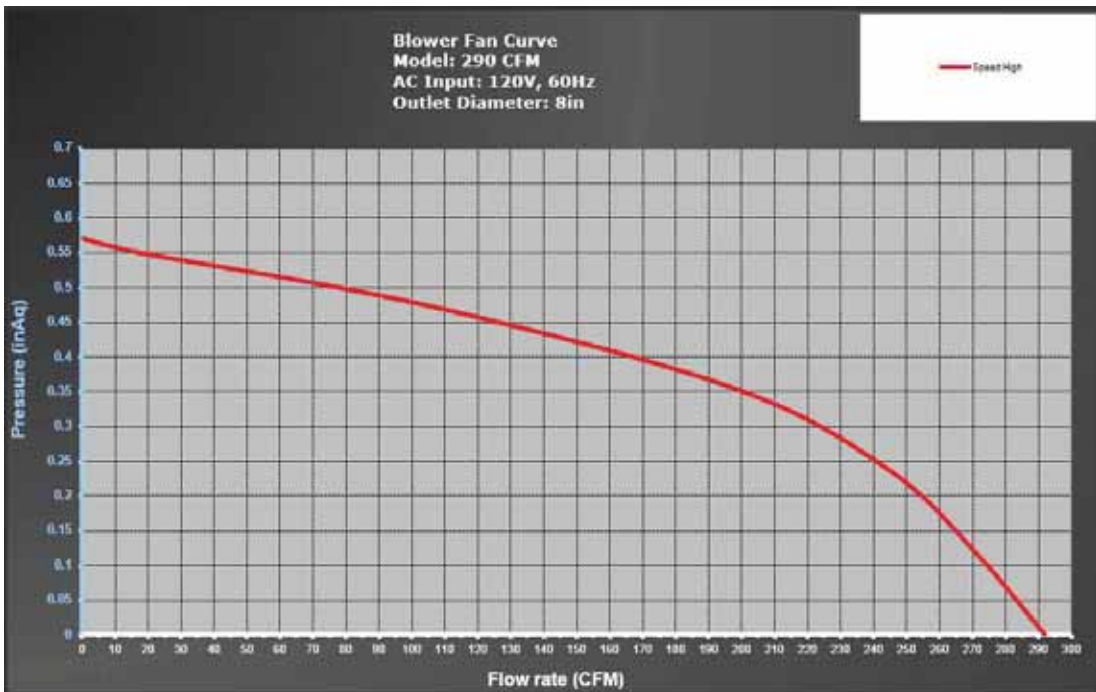
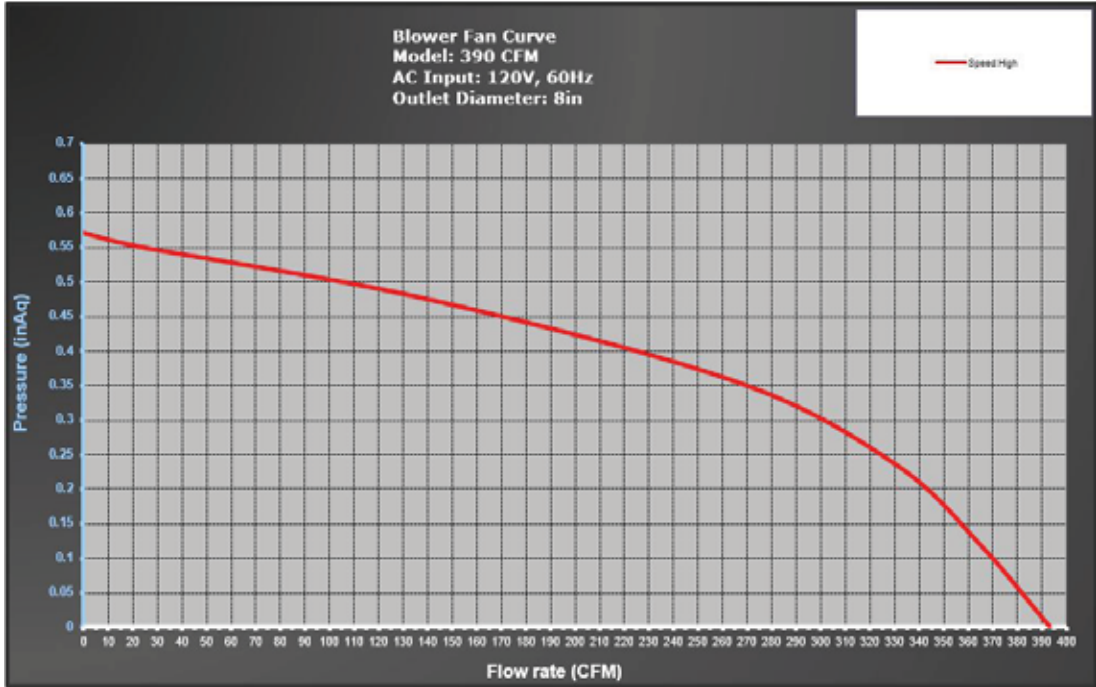
Some local codes limit the maximum amount of CFM a range hood can move. ACT allows you to control the maximum blower CFM of hoods with of select Zephyr Ventilation range hoods without the need for expensive make up air kits. ACT enables the installer to easily set the maximum blower speed to one of two most commonly specified CFM levels; 390 or 290 CFM. The usage of ACT may not be necessary for your installation. Please check your local codes for CFM restrictions.

By default the maximum blower CFM is set to 650.

To verify if your installer enabled ACT; With hood off, press and hold the power button for three seconds. If 5 LEDs illuminate = default max. CFM, if 4 LEDs illuminate = max. 390 CFM, and if 3 LEDs illuminate = max. 290 CFM. When ACT is enabled, the number of blower speeds will be reduced. 390 CFM = max. 3 speeds and 290 CFM = max. 2 speeds. There should also be a foil label located inside the hood body near the wiring diagram that indicates the blower CFM.



Fan Curve Diagrams

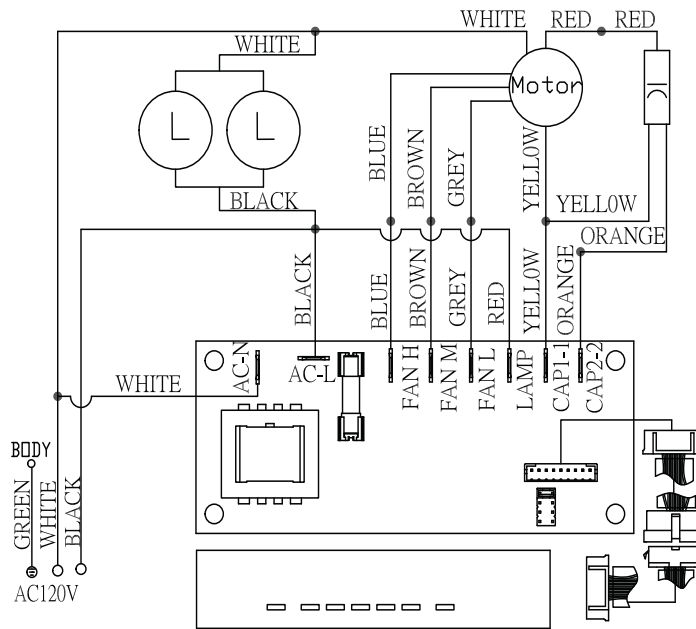


Wiring Diagram

USE ONLY TYPE MR16, GU10, 50 W. **MAX.** HALOGEN LIGHT BULBS.

ZSI-E30AS, ZSI-E36AS	VOLTS	HZ	MAX AMPS
	120	60	4.6

CIRCUIT DIAGRAM



CONDENSER 22+5µF 250V AC FIT AC120V 60Hz

Power consumption shown for default 650 CFM blower configuration

ACT 390 CFM - Fan Max. 393W @ 3.3A

ACT 290 CFM - Fan Max. 365W @ 3.0A

DESCRIPTION	PART#
Replacement Parts	
Baffle Filter (each)	50200050
Halogen 50W Light bulb (each)	Z0B-0020
Optional Accessories	
Recirculating Kit	ZRC-00SI
Replacement Charcoal Filter (each)	Z0F-C091
Duct Cover Extension Kit	Z1C-00SI
Universal Make-Up Air Damper	MUA008A

To order parts, visit us online at <http://store.zephyronline.com> or call us at 1.888.880.8368



ZEPHYR

Limited Warranty

STAPLE YOUR RECEIPT HERE
Proof of the original purchase
date is needed to obtain
service under warranty

TO OBTAIN SERVICE UNDER WARRANTY OR FOR ANY SERVICE RELATED QUESTIONS, please call:
1-888-880-8368

Zephyr Corporation (referred to herein as “we” or “us”) warrants to the original consumer purchaser (referred to herein as “you” or “your”) of Zephyr products (the “Products”) that such Products will be free from defects in materials or workmanship as follows:

Three Year Limited Warranty for Parts: For three years from the date of your original purchase of the Products, we will provide, free of charge, Products or parts (including LED light bulbs, if applicable) to replace those that failed due to manufacturing defects. We may choose, in our sole discretion, to repair or replace parts before we elect to replace the Products.

One Year Limited Warranty for Labor: For one year from the date of your original purchase of the Products, we will provide, free of charge, the labor cost associated with repairing the Products or parts to replace those that failed due to manufacturing defects. After the first year from the date of your original purchase, you are responsible for all labor costs associated with this warranty.

Warranty Exclusions: This warranty covers only repair or replacement, at our option, of defective Products or parts and does not cover any other costs related to the Products including but not limited to: (a) normal maintenance and service required for the Products and consumable parts such as incandescent or halogen light bulbs, metal and carbon filters and fuses; (b) any Products or parts which have been subject to freight damage, misuse, negligence, accident, faulty installation or installation contrary to recommended installation instructions, improper maintenance or repair (other than by us); (c) commercial use of the Products or use otherwise inconsistent with its intended purpose; (d) natural wear of the finish of the Products or wear caused by improper maintenance, use of corrosive and abrasive cleaning products, pads, and oven cleaner products; (e) chips, dents or cracks caused by abuse or misuse of the Products; (f) service trips to your home to teach you how to use the Products; or (g) damage to the Products caused by accident, fire, floods or act of God. If you are outside our service area, additional charges may apply for shipping costs for warranty repair at our designated service locations and for the travel cost to have a service technician come to your home to repair, remove or reinstall the Products. After the first year from the date of your original purchase, you are also responsible for all labor costs associated with this warranty.

Limitations of Warranty. OUR OBLIGATION TO REPAIR OR REPLACE, AT OUR OPTION, SHALL BE YOUR SOLE AND EXCLUSIVE REMEDY UNDER THIS WARRANTY. WE SHALL NOT BE LIABLE FOR INCIDENTAL, CONSEQUENTIAL OR SPECIAL DAMAGES ARISING OUT OF OR IN CONNECTION WITH THE USE OR PERFORMANCE OF THE PRODUCTS. THE EXPRESS WARRANTIES IN THE PRECEDING SECTION ARE EXCLUSIVE AND IN LIEU OF ALL OTHER EXPRESS WARRANTIES. WE HEREBY DISCLAIM AND EXCLUDE ALL OTHER EXPRESS WARRANTIES FOR THE PRODUCTS, AND DISCLAIM AND EXCLUDE ALL WARRANTIES IMPLIED BY LAW, INCLUDING THOSE OF MERCHANTABILITY AND FITNESS FOR A PARTICULAR PURPOSE. Some states or provinces do not allow limitations on the duration of an implied warranty or the exclusion or limitation of incidental or consequential damages, so the above limitations or exclusions may not apply to you. To the extent that applicable law prohibits the exclusion of implied warranties, the duration of any applicable implied warranty is limited to the same two-year period described above. Any oral or written description of the Products is for the sole purpose of identifying the Products and shall not be construed as an express warranty. Prior to using, implementing or permitting use of the Products, you shall determine the suitability of the Products for the intended use, and you shall assume all risk and liability whatsoever in connection with such determination. We reserve the right to use functionally equivalent refurbished or reconditioned parts or Products as warranty replacements or as part of warranty service. This warranty is not transferable from the original purchaser and applies in the United States and Canada.

To Obtain Service Under Limited Warranty: To qualify for warranty service, you must: (a) notify us at the address or telephone number stated below within 60 days of the discovery of the defect; (b) give the model number and part identification number and serial number; and (c) describe the nature of any defect in the Product or part. At the time of the request for warranty service, you must present evidence of your proof of purchase and proof of the original purchase date. If we determine that the warranty exclusions listed above apply or if you fail to provide the necessary documentation to obtain service, you will be responsible for all shipping, travel, labor and other costs related to the services.

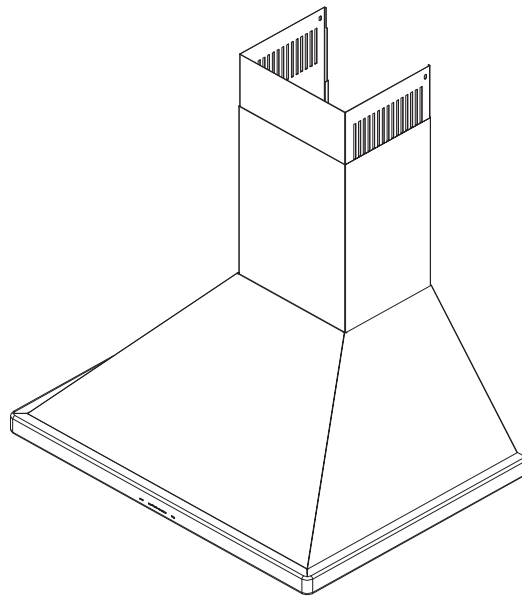
Please check our website for any revisions, www.zephyronline.com.

Guide d'utilisation, d'entretien et d'installation

Siena

ZSI-E30AS

ZSI-E36AS



Model number: _____

Serial Number: _____



MISE EN GARDE DE SÉCURITÉ	2-3
LISTE DU MATÉRIEL	4
INSTALLATION	
Feuille de calcul pour le conduit.....	5
Espace libre et hauteur de montage.....	6
Options d'installation pour le conduit.....	7
Spécifications de la hotte.....	8
Montage de la hotte.....	9
Recirculation d'air sans conduit.....	10
COMMANDES ET CARACTÉRISTIQUES	
ICON Commandes	11-12
ENTRETIEN	
Nettoyage et entretien des filtres	13
Ampoules.....	14
DÉPANNAGE	15
DIAGRAMMES DES COURBES CARACTÉRISTIQUES DES VENTILATEURS	16-17
SCHÉMA DE CÂBLAGE	18
LISTES DES ACCESSOIRES ET DES PIÈCES	19

AVERTISSEMENT

POUR RÉDUIRE LES RISQUES D'INCENDIE OU DE DÉCHARGE ÉLECTRIQUE, N'UTILISEZ PAS CET APPAREIL AVEC UN TABLEAU DE COMMANDE À SEMI-CONDUCTEURS.

AVERTISSEMENT

POUR RÉDUIRE LES RISQUES D'INCENDIE, DE DÉCHARGE ÉLECTRIQUE OU DE BLESSURE, RESPECTEZ CES CONSIGNES :

- N'utilisez cet appareil que de la manière prévue par le fabricant. Si vous avez des questions, communiquez avec le fabricant.
- Avant de procéder au nettoyage ou à l'entretien de l'appareil, éteignez l'alimentation du panneau électrique et bloquez le dispositif de déconnexion pour éviter que l'alimentation électrique ne soit accidentellement rallumée. Si le dispositif de sectionnement d'électricité ne peut être bloqué, attachez un avertissement (comme une étiquette) bien en vue sur le tableau électrique.

ATTENTION

Pour ventilation générale seulement. N'utilisez pas cet appareil pour évacuer des vapeurs et des matériaux explosifs ou dangereux. Prenez garde lors de l'utilisation d'agents nettoyants ou de détergents. Ne devrait être utilisé que dans la cuisine de votre maison.

AVERTISSEMENT

POUR RÉDUIRE LES RISQUES DE FEU DE GRAISSE SUR LA SURFACE DE CUISSON :

- Ne laissez jamais l'appareil sans surveillance lors de son utilisation à haute température. Les débordements par bouillonnement causent de la fumée et des déversements de graisse qui peuvent prendre feu. Faites chauffer l'huile à des températures basses ou moyennes.
- Allumez toujours la hotte lorsque vous cuisinez à haute température ou que vous faites flamber des aliments.
- Nettoyez fréquemment les ventilateurs de la hotte. La graisse ne devrait jamais s'accumuler dans les ventilateurs ou les filtres.
- Utilisez des poêlons aux dimensions adéquates. Utilisez toujours une batterie de cuisine correspondant aux dimensions de l'élément.
- Assurez-vous que le ventilateur, les filtres et les surfaces où la graisse pourrait s'accumuler sont toujours propres.
- Utilisez le réglage haut de la hotte seulement lorsque nécessaire.
- Ne laissez pas la hotte sans surveillance lorsque vous cuisinez.
- Utilisez toujours une batterie de cuisine et des ustensiles convenant au type et à la quantité de nourriture que vous préparez.

AVERTISSEMENT

POUR RÉDUIRE LES RISQUES DE BLESSURE LORS D'UN INCENDIE SUR LA SURFACE DE CUISSON :

- ÉTOUFFEZ LES FLAMMES avec un couvercle, une plaque à biscuits ou un plateau de métal et éteignez ensuite le brûleur. PRENEZ GARDE AUX RISQUES DE BRÛLURE. Si les flammes ne disparaissent pas, ÉVACUEZ LES LIEUX ET APPELEZ LE SERVICE D'INCENDIE.
- NE PRENEZ JAMAIS UN POÊLON EN FEU – Vous pourriez vous brûler.
- N'UTILISEZ PAS D'EAU, ou un linge à vaisselle mouillé – une violente explosion de vapeur s'ensuivra.
- Utilisez un extincteur SEULEMENT si :
 - Vous savez que vous possédez un extincteur de classe ABC et vous savez vous en servir.
 - Le feu est faible et ne s'est pas répandu depuis son point d'origine.
 - Vous avez appelé le service d'incendie.
 - Vous pouvez sortir facilement de l'endroit où vous combattez le feu.

AVERTISSEMENT

POUR RÉDUIRE LES RISQUES D'INCENDIE, DE DÉCHARGE ÉLECTRIQUE OU DE BLESSURE, SUIVEZ LES CONSIGNES SUIVANTES :

- Les travaux d'installation et de câblage électrique doivent être faits par une personne qualifiée selon les stipulations de tous les normes et standards en vigueur, dont les normes des constructions ayant une cote de résistance au feu.
- Pour prévenir les contre-explosions, une certaine quantité d'air est nécessaire pour la combustion et l'évacuation des gaz par le carneau (cheminée) de l'appareil de combustion. Respectez les directives du fabricant d'outillage de chauffage et les normes de sécurité comme celles publiées par la NFPA (Association nationale des services d'incendie), par la Société américaine des ingénieurs en chauffage, réfrigération et climatisation (ASHRAE) et par les normes des autorités locales.
- Lorsque vous coupez ou percez un mur ou un plafond, assurez-vous de ne pas endommager le câblage électrique ou toute autre installation technique dissimulée.
- Les ventilateurs canalisés doivent toujours évacuer l'air à l'extérieur.
- N'installez JAMAIS un interrupteur à une distance atteignable depuis un bain ou une douche.
- Assurez-vous que l'alimentation électrique est éteinte avant de procéder à l'installation, au câblage ou à l'entretien de l'appareil

ATTENTION

POUR RÉDUIRE LES RISQUES D'INCENDIE, N'UTILISEZ QUE DES CONDUITS D'AÉRATION EN MÉTAL.

ATTENTION

Pour réduire les risques d'incendie et pour évacuer l'air convenablement, assurez-vous de canaliser l'air à l'extérieur de la maison. N'installez pas l'échappement du conduit dans les espaces entre les murs, le plafond, le grenier, les vides sanitaires ou le garage.

FONCTIONNEMENT

Laissez toujours les grilles de sûreté et les filtres en place. Sans ces éléments, les ventilateurs en marche pourraient accrocher des cheveux, des doigts ou des vêtements amples.

Le fabricant se dégage de toute responsabilité dans les cas de non-respect des instructions transmises dans le présent manuel pour l'installation, l'entretien et l'utilisation adéquate du produit. Le fabricant se dégage également de toute responsabilité pour des blessures qui résulteraient de la négligence lors de l'utilisation. De plus, la garantie prend fin automatiquement lors de l'entretien inapproprié de l'appareil.

***NOTE : Veuillez vérifier les actualisations du produit sur le site Web www.zephyronline.com avant de procéder à des travaux.**

EXIGENCES ÉLECTRIQUES

Important :

Respectez tous les codes et règlements en vigueur.

Il est de la responsabilité du client de :

- Communiquer avec un installateur-électricien qualifié.
- S'assurer que l'installation électrique est adéquate et qu'elle respecte le Code national de l'électricité, la plus récente édition* du ANSI/NFPA 70 ou des normes du CSA C22.1-94, le Code canadien de l'électricité, section 1, la plus récente édition** du code C22.2 No.0-M91 ainsi que tous les codes et règlements en vigueur.

Si les codes permettent l'utilisation d'un fil de garde isolé et que vous en utilisez un, il est recommandé qu'un électricien qualifié détermine si le cheminement du fil est adéquat.

N'effectuez pas la mise à la terre à un tuyau de gaz.

Demandez à un électricien qualifié si vous n'êtes pas certain que la hotte a été mise à la terre adéquatement.

N'introduisez aucun fusible dans le circuit neutre ou de mise à la terre.

*National Fire Protection Association Batterymarch Park, Quincy, Massachusetts 02269

** CSA International 8501 East Pleasant Valley Road, Cleveland, Ohio 44131-5575

Cet appareil requiert une alimentation électrique de 120V 60Hz. Il doit être connecté à un circuit terminal individuel dûment mis à la terre, protégé par un disjoncteur de circuit ou un fusible temporisé de 15 ou 20 ampères. Le câblage doit compter 2 fils avec mise à la terre. Veuillez vous référer au Diagramme électrique étiqueté sur l'appareil.

Un raccord de câble (non inclus) pourrait également être exigé par les normes et réglementations locales. Informez-vous des exigences et des normes locales. Achetez et installez le connecteur approprié si nécessaire.

ZSI-E30AS / ZSI-E36AS - 550 Watts, 4,6 Ampères

La consommation énergétique indiquée ci-dessus s'applique aux spécifications par défaut. Les hottes de Zephyr dont la technologie de contrôle du débit d'air (TCDA) est activée consomment moins d'énergie. Consultez le schéma de câblage à la fin du manuel pour obtenir de plus amples renseignements.

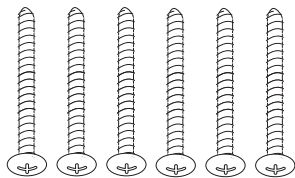
MODÈLES: ZSI-E30AS, ZSI-E36AS

PIÈCES FOURNIES

- 1 - Hotte avec ventilateur interne
- 2 - Filtres déflecteurs
- 1 - Ensemble de recouvrement de conduit (parties supérieure et inférieure)
- 1 - Support mural pour le recouvrement de conduit
- 2 - Ampoules halogènes 50W
- 1 - Registre antirefoulement circulaire de 8"
- 1 - Trousse de quincaillerie

CONTENU DE LA TROUSSE DE QUINCAILLERIE

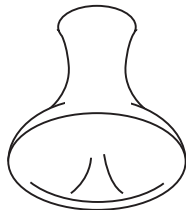
(6) M4 x 1-1/2"



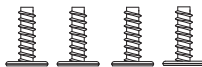
(2) M4 x 8



(1) Ventouse pour enlever des ampoules

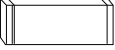


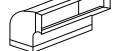



















(4) M4 x 8"



PIÈCES NON FOURNIES

- Conduit et tous les outils d'installation
- Raccord de câble (si exigé par les codes en vigueur)
- Accessoire – prolongement pour recouvrement de conduit
- Accessoire – recirculation d'air

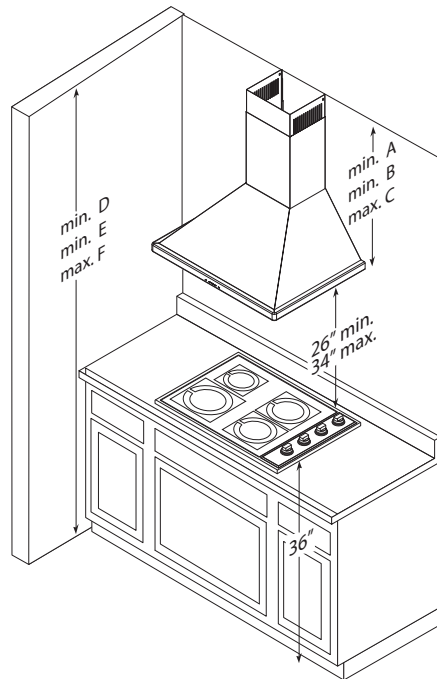
Pièces de conduit		Longueur x Nombre utilisé	Total
	3-1/4" x 10" rect., droit	1 pi x () =	pi
	6" circ., droit	1 pi x () =	pi
	7" circ., droit	1 pi x () =	pi
	3-1/4" x 10" rect., coude à 90°	15 pi x () =	pi
	3-1/4" x 10" rect., coude à 45°	9 pi x () =	pi
	3-1/4" x 10" rect., coude plat à 90°	24 pi x () =	pi
	3-1/4" x 10" embout mural rect./registre	30 pi x () =	pi
	3-1/4" x 10" rect. à circ. de 6"	5 pi x () =	pi
	3-1/4" x 10" coude à 90° rect. à circ. de 6"	20 pi x () =	pi
	6" circ., coude à 90°	15 pi x () =	pi
	6" circ., coude à 45°	9 pi x () =	pi
Sous-total - colonne 1 =			pi

Pièces de conduit		Longueur x Nombre utilisé	Total
	6" embout mural circ./registre	30 pi x () =	pi
	6" chapeau de toiture circ.	30 pi x () =	pi
	6" circ. à rect. de 3-1/4" x 10"	1 pi x () =	pi
	6" circ. à rect. de 3-1/4" x 10", coude à 90°	16 pi x () =	pi
	7" or 10" circ., coude à 90°	15 pi x () =	pi
	7" or 10" circ., coude à 45°	9 pi x () =	pi
	7" or 10" embout mural circ./registre	30 pi x () =	pi
	7" or 10" circ., chapeau de toiture	30 pi x () =	pi
	7" circ. à rect. de 3-1/4" x 10"	8 pi x () =	pi
	7" circ. à rect. de 3-1/4" x 10", coude à 90°	23 pi x () =	pi
Sous-total - colonne 2 =			pi
Sous-total - colonne 1 =			pi
Total du conduit =			pi

Longueur maximale du conduit d'aération :

Pour un mouvement d'air convenable, la longueur totale d'un conduit d'aération ne devrait pas compter plus que l'équivalent de 100 pieds.





Hauteur de la hotte	Recouvrement de conduit standard	Prolongement de rec. de conduit
min. avec conduit (A)	27-1/2"	46"
min. avec recirc. d'air (B)	32"	50-1/2"
maximum (C)	42"	79"
Hauteur de plafond		
min. avec conduit (D)	89-1/2" (7' 5-1/2")	108" (9')
min. avec recirc. d'air (E)	94" (7' 10")	112-1/2" (9' 4-1/2")
maximum (F)	112" (9' 4")	149" (12' 5")

CONDUIT D'AÉRATION

Un conduit circulaire de 8" doit être utilisé pour assurer une circulation d'air maximale.

N'utilisez que des conduits en métal rigide. Les conduits souples pourraient réduire la circulation d'air jusqu'à 50 %.

Utilisez la feuille de calcul de la page 5 pour obtenir la longueur totale du conduit.

Lorsqu'il possible de le faire, diminuez TOUJOURS le nombre de pièces et de changements de direction. Si un long tronçon de conduit est nécessaire, augmentez le diamètre du conduit de 8" à 10".

Si des changements de direction ou des adaptateurs sont nécessaires, installez-les le plus loin possible de l'ouverture et le plus éloigné possible l'un de l'autre.

La hauteur de montage minimale ne devrait pas être moins de 26".

La hauteur de montage maximale ne devrait pas dépasser 34".

Il est important d'installer la hotte à la hauteur de montage adéquate. Les hottes installées trop basses pourraient être endommagées par la chaleur en plus de présenter des risques d'incendie plus élevés tandis que les hottes installées trop hautes seront difficiles à atteindre et verront leur efficacité et leur rendement réduits.

Si elles sont disponibles, consultez les exigences de hauteur d'espace libre requise par le fabricant de la cuisinière ainsi que la hauteur recommandée de montage de la hotte au-dessus de la surface de cuisson. Informez-vous toujours des normes et des réglementations locales en vigueur pour toute différence par rapport aux normes du fabricant.

Ensemble de recouvrement de conduit disponible pour les plafonds atteignant 12 pieds. N° de pièce et information pour commander disponibles à la page 19.

ENDOMMAGEMENT LORS DE LA LIVRAISON/ INSTALLATION:

- Veuillez vous assurer que toutes les pièces de l'appareil ne sont pas endommagées avant l'installation.
- Si l'appareil est endommagé durant la livraison, retournez l'appareil à l'endroit où vous l'avez acheté pour réparation ou remplacement.
- Si l'appareil est endommagé par le client, la réparation ou le remplacement est à la charge du client.
- Si l'appareil est endommagé par l'installateur (si autre que le client), le client et l'installateur doivent venir à une entente pour la réparation ou le remplacement.

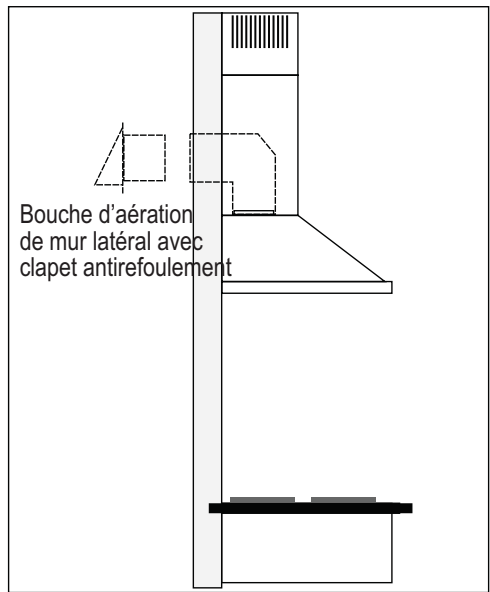
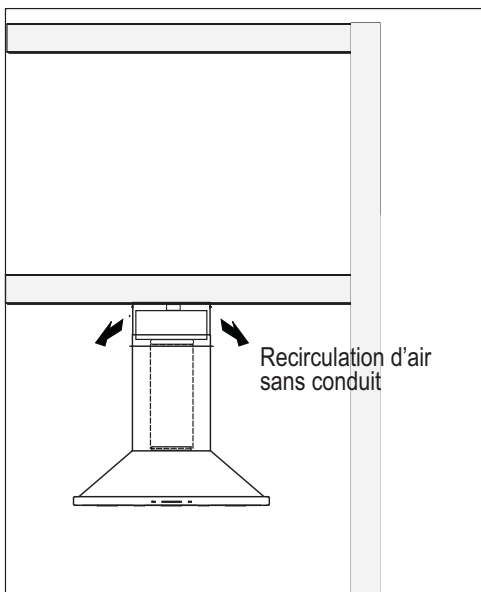
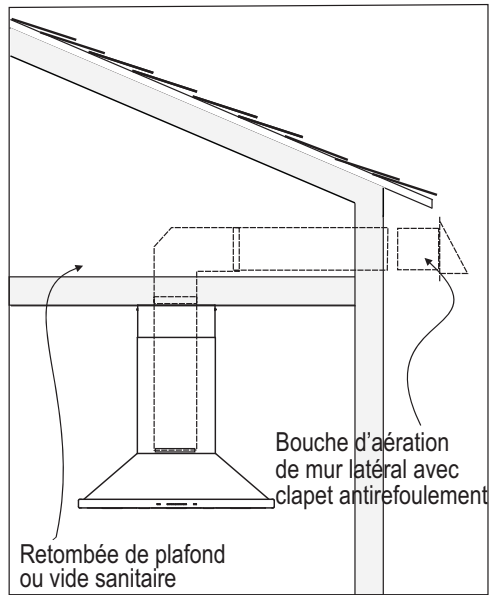
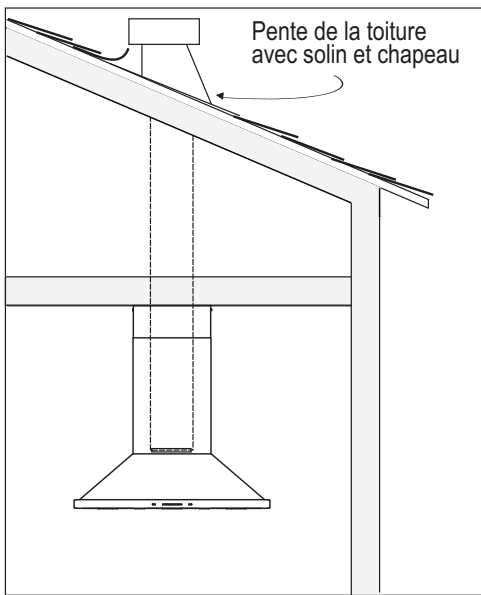
AVERTISSEMENT DE RISQUE D'INCENDIE

N'évacuez ou ne terminez JAMAIS l'échappement du conduit dans les espaces entre les murs, les vides sanitaires, le plafond, le grenier, ou le garage. Tous les échappements doivent être dirigés à l'extérieur de la maison, à moins que l'option de recirculation d'air ne soit utilisée.

N'utilisez que des conduits en métal pour cloison simple.

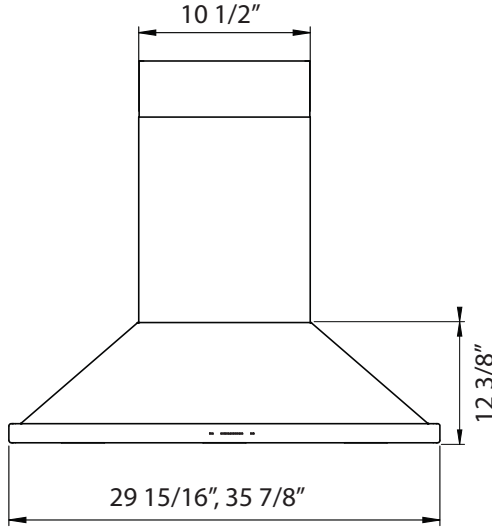
Fixez toutes les pièces du conduit avec des vis à tôle et isolez tous les joints avec du ruban adhésif en toile ou du ruban réflecteur certifié.

Quelques options pour le conduit d'aération

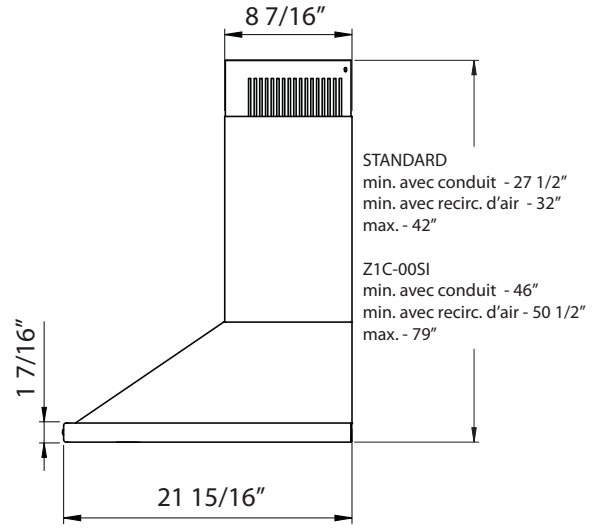


Installation – Spécifications de la hotte

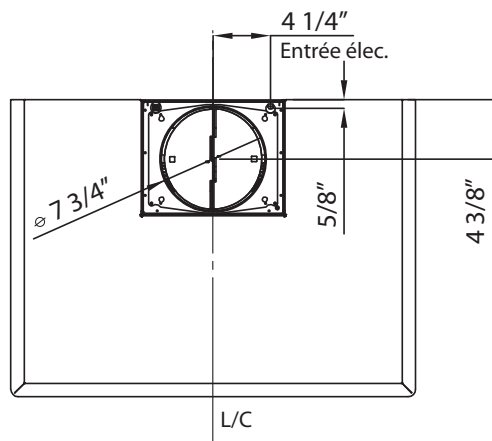
Devant de la hotte



Côté de la hotte



Dessus de la hotte



⚠ ATTENTION : Compte tenu du poids et des dimensions de la hotte, au moins deux installateurs sont nécessaires.

1. Prenez la mesure entre la surface de la cuisinière et la base de la hotte; marquez la ligne A (min. 26" à partir du dessus de la cuisinière).
2. Marquez la ligne centrale avec exactitude.
3. Marquez la ligne de hauteur de montage B (à 1-5/16" de la ligne A).
4. Marquez la ligne de hauteur de montage C (à 13-1/8" de la ligne A).
5. Marquez la largeur de montage B à partir de la L/C (12-3/4").
6. Marquez la largeur de montage C à partir de la L/C (9-7/16").
7. Fixez (2) vis M6 x 1-1/4" aux poutres de la ligne C. Ne tournez pas les vis jusqu'au fond. **Note : Vous pourriez avoir à ajouter des renforcements de bois derrière la cloison sèche si aucune poutre n'est présente. Des dispositifs d'ancrage au mur peuvent également être utilisés, mais vérifiez d'abord les réglementations locales avant d'utiliser de tels dispositifs. Le fait de ne pas utiliser des ancrages muraux et des vis convenables pour soutenir le poids de la hotte pourrait entraîner des blessures ou endommager la surface de cuisson ou le comptoir.**
8. Installez le collier du conduit circulaire de 8" avec registre antirefoulement sur la partie supérieure du bâti de la hotte à l'aide de quatre (4) vis à tête plate M4 x 8.
9. Suspendez la hotte aux vis et serrez-les à la main (FIG. A #1). Utilisez la dernière vis M6 x 1-1/4" pour fixer plus solidement la hotte au mur à partir de l'intérieur de la hotte.
10. Centrez et fixez à l'aide de (2) vis M6 x 1" le support de montage du recouvrement de conduit au mur juste en dessous du plafond ou de la retombée de plafond.
11. Procédez à l'installation des composantes électriques.
12. *Installez le conduit et appliquez le ruban à conduit.
13. Allumez la hotte et assurez-vous qu'il n'y a pas de fuites autour du ruban à conduit.
14. Fixez les plaques de recouvrement coulissantes du conduit à la hotte et faites glisser la plaque de recouvrement intérieure (partie supérieure) vers le haut. Fixez-la au support de fixation du recouvrement de conduit à l'aide de deux (2) vis M4 x 8".

* Si vous utilisez le mode de reprise d'air, vous devez fixer la plaque du déflecteur d'air au mur avant d'installer le conduit et les pièces de recouvrement du conduit. Vous aurez également à installer des filtres à charbon et des supports. Consultez la page 10 pour obtenir plus de détails.

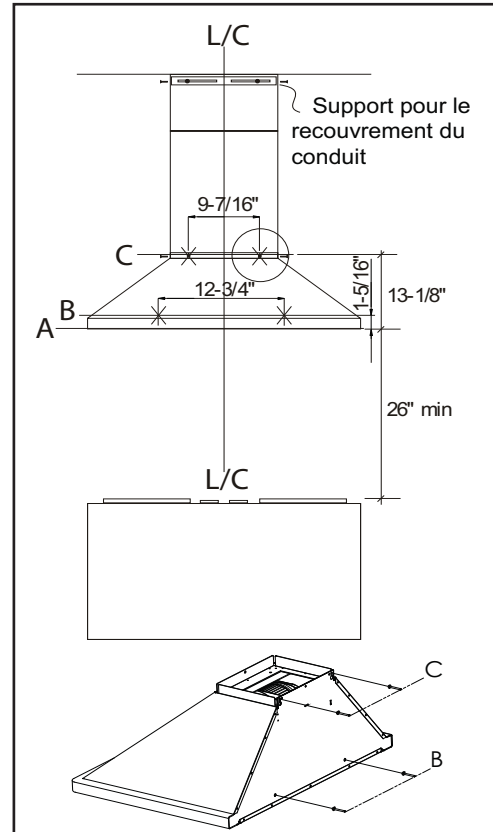


FIG. A

⚠ AVERTISSEMENT : Le câblage électrique doit être réalisé par une personne qualifiée en conformité avec tous les codes et toutes les normes en vigueur. Cette hotte doit être mise à la terre convenablement. Coupez l'alimentation électrique du panneau électrique avant de procéder au câblage.

La configuration de reprise sans conduit a été conçue pour les applications où il est impossible d'installer un conduit d'aération. Lorsque transformée, la hotte fonctionne comme une hotte de recirculation d'air plutôt que comme un système d'évacuation d'air. Les vapeurs et fumées de cuisson sont aspirées et filtrées par un ensemble optionnel de filtres à charbon. L'air est ensuite purifié et redirigé à l'intérieur de la maison.

Nous recommandons de TOUJOURS évacuer l'air à l'extérieur de la maison en utilisant le conduit en place ou, s'il y a possibilité, en installant un nouveau conduit. La hotte est plus efficace lorsqu'utilisée comme système d'évacuation d'air. Vous ne devriez recourir à la configuration de recirculation d'air que lorsqu'il est impossible d'installer un conduit d'aération.

Lorsque la configuration de recirculation d'air est choisie, un ensemble de filtres à charbon doit être installé sur l'ensemble de filtres déflecteurs standards. Commandez-les en vous référant au numéro de pièce ci-dessous. Les filtres déflecteurs standards sont conçus pour capturer les résidus de cuisson et les filtres à charbon optionnels aident à la purification des vapeurs et fumées de la cuisson lors de la recirculation d'air.

TROUSSE DE RECIRCULATION D'AIR (REQUIS SI AUCUN CONDUIT N'EST UTILISÉ)

L'ensemble comprend des filtres à charbon, des supports de filtres à charbon et un déflecteur d'air.

Modèle de hotte	Numéro de pièce	Filtres par paquet
ZSI-E30AS	ZRC-00SI	2
ZSI-E36AS	ZRC-00SI	2

1. Fixez la plaque du déflecteur d'air au mur, sous le support de recouvrement de conduit (FIG.B).
2. Enlevez les filtres déflecteurs de la hotte. Installez les filtres à charbon sur le côté arrière des filtres déflecteurs.
3. Fixez les filtres à charbon au côté arrière des filtres déflecteurs en utilisant deux attaches par filtre.
4. Remettez les filtres déflecteurs en place.
5. Activez l'indicateur de changement des filtres à charbon sur le tableau de commande (consultez les détails à la page 12). Le microprocesseur des commandes vous informera de la nécessité de changer les filtres à charbon après 120 heures d'utilisation. Commandez des filtres à charbon de remplacement apparaissant sur la liste ci-dessous.

NOTE : Consultez le manuel fourni avec la trousse de recirculation d'air pour obtenir de plus amples renseignements.

Filtres à charbon de remplacement

Modèle de hotte	Numéro de pi	Qtée à commander
ZSI-E30AS	Z0F-C091	2
ZSI-E36AS	Z0F-C091	2

NE NETTOYEZ PAS LES FILTRES À CHARBON. Vous pourriez avoir à changer les filtres à charbon plus souvent selon vos habitudes culinaires.

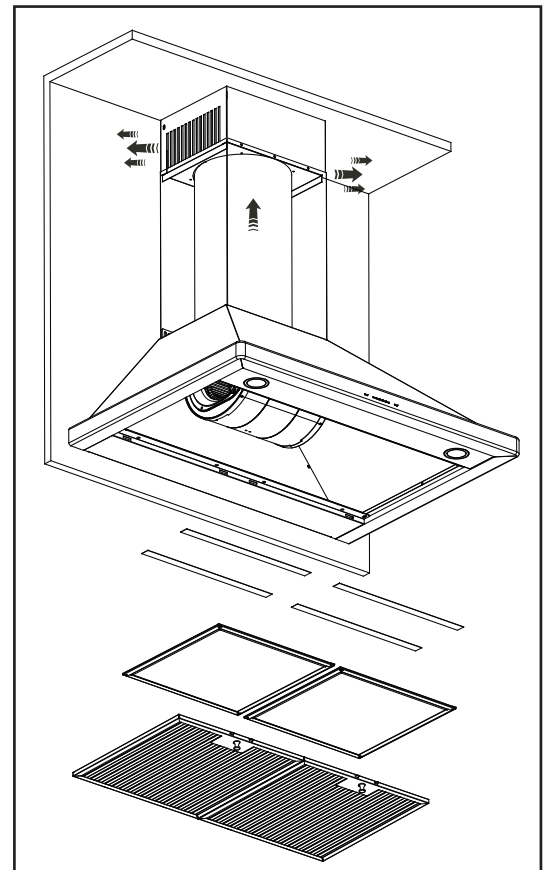
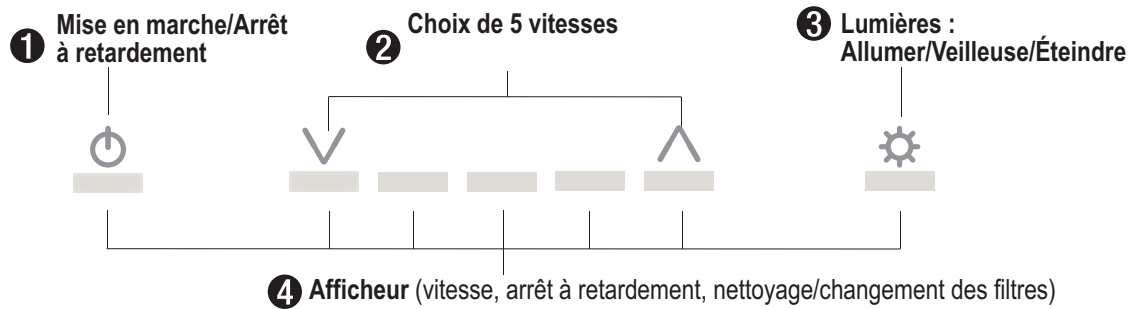


FIG.B



1 MISE EN MARCHÉ/ARRÊT À RETARDEMENT

Fonction de la touche de mise en marche

- La touche permet d'allumer et d'éteindre toutes les fonctions de la hotte (ventilateurs et lumières).
- La hotte se rappelle la dernière vitesse et le dernier niveau d'éclairage utilisés.
(Exemple : Appuyez sur la touche lorsque le ventilateur fonctionne à la vitesse 4 et que les lumières sont allumées à haute intensité. Si vous appuyez de nouveau sur la touche , le ventilateur repart à la vitesse 4 et les lumières se rallument à haute intensité.)

Fonction de la touche d'arrêt à retardement

- Lorsque le ventilateur est en cours d'utilisation, appuyez sur la touche et maintenez-la enfoncée pendant deux secondes. Le ventilateur passe à la vitesse 1 et le compte à rebours de la minuterie de l'arrêt à retardement commence.
Les DEL et s'illuminent et clignotent lentement en fonction du temps qu'il reste avant l'arrêt automatique du ventilateur et des lumières.
- Appuyez sur la touche lorsque la fonction d'arrêt à retardement est en cours d'utilisation pour éteindre la hotte et annuler la fonction d'arrêt à retardement.

Vérification de la TCDA

- La technologie de contrôle du débit d'air permet à l'installateur d'ajuster la quantité maximale d'évacuation de pi^3/min du ventilateur afin de respecter les codes et règlements en vigueur.
 - Pour vérifier la quantité maximale d'évacuation de pi^3/min du ventilateur :
 - Lorsque la hotte est éteinte, appuyez sur la touche et maintenez-la enfoncée pendant deux secondes. Si cinq icônes de ventilateur s'illuminent, le réglage est ajusté au maximum. Si quatre icônes s'illuminent, le maximum est de $390 \text{ pi}^3/\text{min}$. Si trois icônes s'illuminent, le maximum est de $290 \text{ pi}^3/\text{min}$.

2 TOUCHE DE CHOIX DE VITESSE

Touche de réduction de vitesse du ventilateur

- Appuyez sur cette touche pour réduire la vitesse du ventilateur. 5, 4, 3, 2, 1.
- Si le ventilateur est à la vitesse 1 et que vous appuyez sur cette touche, le ventilateur s'éteint.

Touche d'augmentation de vitesse du ventilateur

- Appuyez sur cette touche pour augmenter la vitesse du ventilateur. 1, 2, 3, 4, 5.
- Si le ventilateur est éteint et que vous appuyez sur cette touche, le ventilateur s'allume à la vitesse 1.

Choix de vitesse avec TCDA activée

- Lorsque la TCDA est activée, le nombre de vitesses du ventilateur est réduit comme suit :
 - $390 \text{ pi}^3/\text{min}$ = 4 vitesses maximum
 - $290 \text{ pi}^3/\text{min}$ = 3 vitesses maximum

3 TOUCHE DE CONTRÔLE DES LUMIÈRES ⚙

- Il existe deux intensités : haute et basse.
- Lorsque les lumières sont éteintes, appuyez une fois pour les allumer à haute intensité. Appuyez de nouveau pour les mettre en veilleuse. Appuyez encore une fois pour les éteindre.

4 AFFICHEUR

Rappel de nettoyage des filtres à tamis *(toujours activé)*

- Après 30 heures d'utilisation du ventilateur, l'icône ▼ commence à clignoter lentement, indiquant qu'il est temps de nettoyer les filtres à tamis.
- **Pour réinitialiser** : Lorsque la hotte est éteinte : tenez la touche ▼ enfoncée pendant trois secondes. Tous les indicateurs DEL clignotent deux fois, confirmant la réinitialisation de la minuterie de 30 heures.

Indicateur de remplacement des filtres à charbons *(désactivé par défaut, doit être activé lors de l'utilisation du mode de recirculation d'air)*

- Pour activer le rappel de remplacement des filtres à charbon :
 - Lorsque la hotte est éteinte, tenez les touches ▲ et ⚙ enfoncées simultanément pendant deux secondes. Tous les indicateurs DEL s'illuminent pendant trois secondes, confirmant l'activation du rappel de remplacement des filtres à charbon.
- Pour désactiver le rappel de remplacement des filtres à charbon :
 - Lorsque la hotte est éteinte, tenez les touches ▲ et ⚙ enfoncées simultanément pendant deux secondes. Tous les indicateurs DEL clignotent deux fois, confirmant la désactivation du rappel de remplacement des filtres à charbon.
- Après 120 heures d'utilisation du ventilateur, la touche ▲ clignote lentement, indiquant que les filtres à charbon doivent être remplacés.
- **Pour réinitialiser** : Lorsque la hotte est éteinte : tenez la touche ▲ enfoncée pendant deux secondes. Tous les indicateurs DEL clignotent deux fois, confirmant la réinitialisation de la minuterie de 120 heures.

ENTRETIEN DES SURFACES

Nettoyez régulièrement les surfaces de la hotte avec de l'eau savonneuse chaude et un chiffon de coton propre. N'utilisez pas de détergent abrasif ou corrosif, de laines d'acier ou de tampons à récurer; ils égratigneront et endommageront les surfaces.

Pour les taches plus tenaces, utilisez du produit dégraissant liquide.

Après le nettoyage, vous pouvez polir les surfaces avec des produits de polissage à acier inoxydable non abrasifs pour redonner de l'éclat et du lustre aux surfaces. Frottez toujours doucement, avec un chiffon de coton propre, et dans le sens du grain.

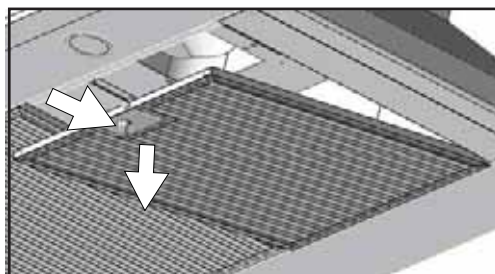
N'utilisez pas de produits à blanchir au chlore ou d'agents nettoyants « orange ».

Filtere déflecteurs

Les filtres déflecteurs installés par le fabricant ont pour fonction de filtrer les résidus et la graisse de cuisson. Ils ne nécessitent aucun remplacement sur une base régulière, mais doivent être gardés propres.

Enlevez-les et nettoyez-les à la main ou au lave-vaisselle avec de l'eau tiède. Vaporisez avec du détergent pour graisse et laissez tremper pour éliminer la saleté accumulée.

Séchez les filtres et réinstallez-les avant d'utiliser la hotte.



Pour enlever les filtres déflecteurs

1. Poussez sur les poignées à ressort
2. Tirez sur la poignée du filtre vers le bas pour enlever le filtre

Si les filtres se détériorent en raison de leur âge ou d'une utilisation prolongée, veuillez les remplacer par les pièces suivantes :

Modèle de hotte	Numéro de pièce	Quantité à commander
ZSI	50200050	2

REPLACEMENT DES AMPOULES

ATTENTION : Les ampoules deviennent extrêmement chaudes lorsqu'allumées.

Veillez NE PAS les toucher avant de les avoir éteintes et laissées refroidir. Le contact avec les ampoules chaudes pourrait causer de sérieuses brûlures.

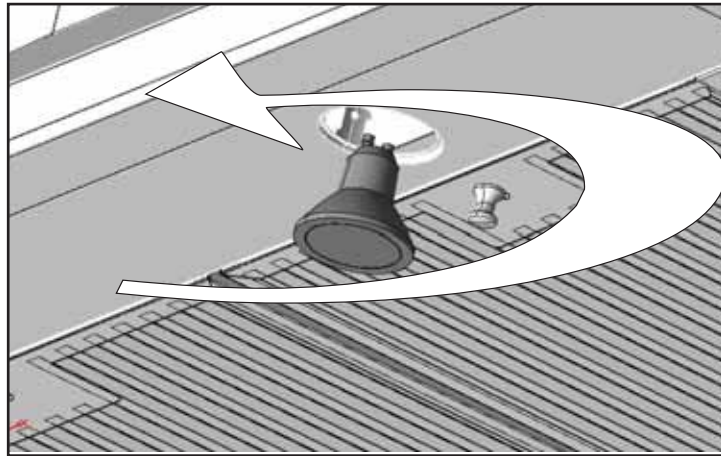
Assurez-vous que l'alimentation électrique est coupée et que les ampoules ne sont pas chaudes.

Enlevez les ampoules en les dévissant dans le sens contraire des aiguilles d'une montre. Note : les ampoules ne se dévissent pas; après une rotation de 60 degrés, elles s'arrêtent et tombent de la douille.

Lorsqu'il est difficile de retirer les ampoules après un usage prolongé, fixez une ventouse correspondant plus ou moins à la taille de l'ampoule ou utilisez des gants en latex ou en caoutchouc et tournez dans le sens inverse des aiguilles d'une montre.

Les ampoules de remplacement sont disponibles dans les magasins spécialisés en éclairage. Procurez-vous des ampoules halogènes GU-10 50W.

Consultez la page 19 du présent guide pour obtenir les numéros de pièces Zephyr.



PROCÉDURES DE DÉPANNAGE POUR LA HOTTE SIENA WALL

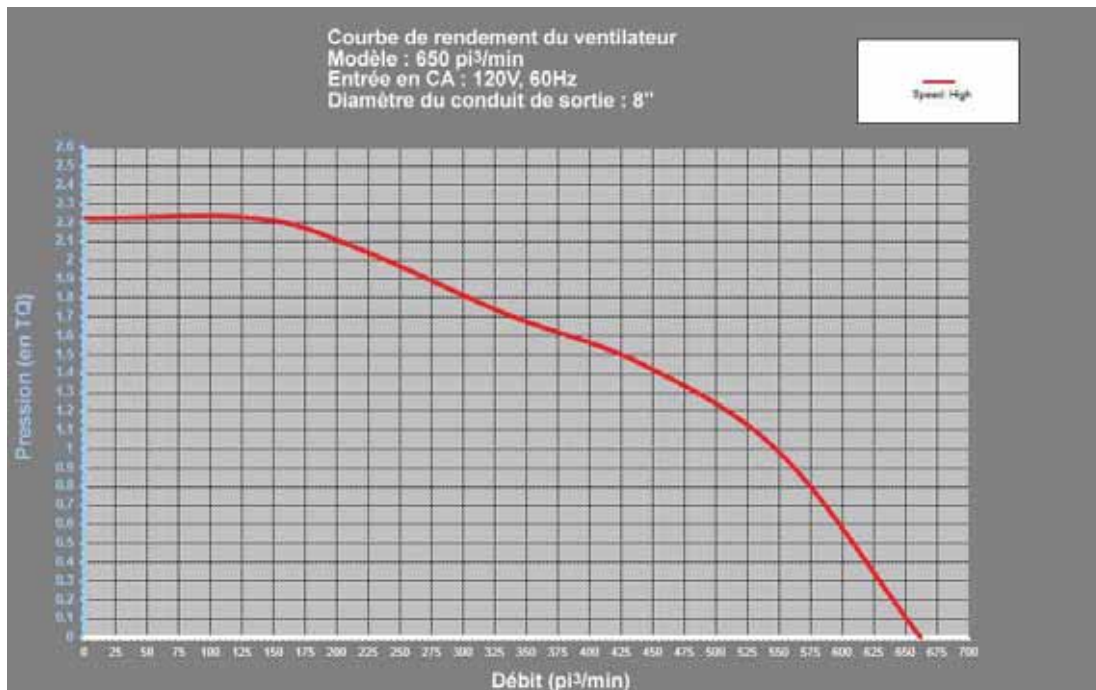
Problème	Cause	Solution
Après l'installation, l'appareil ne fonctionne pas.	1. Le bloc d'alimentation n'est pas allumé	1. Assurez-vous que l'alimentation du disjoncteur et de l'appareil est allumée
	2. La ligne électrique et le raccord de câble ne sont pas correctement branchés	2. Vérifiez que le branchement de l'appareil a été fait correctement
	3. Les câbles du tableau de commandes sont desserrés.	3. Assurez-vous que les câbles du tableau de commandes sont branchés correctement.
	4. Les fils électriques du tableau de contrôle et de commande sont débranchés	4. Assurez-vous que les fils électriques entre les tableaux de contrôle et de commande sont branchés convenablement
	5. Tableau de contrôle/commande défectueux	5. Remplacez le tableau de contrôle/commande
Les lumières fonctionnent, mais le ventilateur ne tourne pas.	1. Le câble du ventilateur est débranché.	1. Vérifiez tous les câbles du ventilateur pour vous assurer qu'ils sont adéquatement branchés.
	2. Le ventilateur est défectueux, possiblement bloqué	2. Remplacez le ventilateur
	3. Le système de protection thermique détecte que le moteur est trop chaud pour fonctionner et l'éteint.	3. Le moteur fonctionnera normalement lorsque le système de protection thermique aura refroidi
	4. Tableau de contrôle/commande défectueux	4. Remplacez la pièce défectueuse
L'appareil vibre.	1. Le moteur n'est pas bien fixé en place	1. Fixez solidement le moteur en place
	2. La roue du ventilateur est endommagée	2. Remplacez le ventilateur
	3. La hotte n'est pas bien fixée en place	3. Vérifiez l'installation de la hotte
L'appareil émet un sifflement.	1. L'un des filtres est mal placé.	1. Ajustez les filtres jusqu'à ce que le sifflement cesse.
	2. Les joints des tuyaux ne sont pas bien scellés ou les conduits ne sont pas connectés adéquatement.	2. Vérifiez les joints du conduit pour vous assurer qu'ils sont adéquatement scellés.
Le moteur fonctionne, mais pas les lumières.	1. L'ampoule halogène est défectueuse	1. Remplacez l'ampoule halogène
	2. Le câble de l'ampoule halogène est desserré.	2. Vérifiez les connexions des câbles de l'ampoule au tableau de commande et au niveau des ampoules. Rebranchez les câbles qui sont desserrés.
Le ventilateur s'allume seul	1. Une lumière ou lampe de la cuisine éclaire directement le tableau de commande.	1. Le tableau de commande est sensible à la lumière. Une source de lumière directe sur le tableau de commande peut perturber les fonctions des interrupteurs.
Les différentes vitesses du ventilateur semblent toutes les mêmes.	1. Vous n'utilisez pas le bon diamètre de conduit.	1. Installez un conduit circulaire d'au moins 8".
La hotte ne fonctionne pas bien.	1. La hotte est possiblement installée trop haut par rapport à la cuisinière	1. Ajustez la distance entre la surface de la cuisinière et la base de la hotte entre 26" et 34"
	2. Du vent provenant d'une fenêtre ou d'une porte ouverte avoisinante nuit à la ventilation	2. Fermez toutes les portes et fenêtres pour éliminer les courants d'air
	3. L'ouverture du conduit ou le conduit lui-même est bloqué	3. Fermez toutes les portes et fenêtres pour éliminer les courants d'air
	4. L'ouverture du conduit est contre le vent	4. Ajustez l'orientation de l'ouverture du conduit
	5. Mauvaises dimensions de conduit d'aération	5. Remplacez le conduit par un conduit adéquat de 8" ou plus.
Le filtre en métal vibre.	1. Le filtre en métal est desserré	1. Assurez-vous que les attaches métalliques de la poignée ne sont pas bloquées. Ou remplacez le filtre à tamis.
	2. Le ressort du filtre est brisé ou desserré.	2. Désinstallez et réinstallez le filtre, poussez le loquet du filtre vers le haut. Remplacez le filtre s'il le faut.

Technologie de contrôle du débit d'air (TCDA)

Certains codes et règlements limitent la quantité maximale de pi^3/min qu'une hotte peut extraire. La TCDA permet de contrôler la quantité maximale de pi^3/min qu'évacuent un éventail de hottes Zephyr, éliminant la nécessité d'acheter un dispositif d'air d'appoint dispendieux. La TCDA permet à l'installateur d'ajuster facilement la vitesse maximale du ventilateur à l'un des niveaux de pi^3/min les plus fréquemment utilisés : $390 \text{ pi}^3/\text{min}$ ou $290 \text{ pi}^3/\text{min}$. Il est possible que l'utilisation de la TCDA ne soit pas requise pour votre installation. Veuillez vérifier les codes en vigueur dans votre région pour connaître les restrictions en matière de pieds cubes par minute.

Par défaut, le nombre maximal de pi^3/min du ventilateur est de 650.

Pour vérifier si votre installateur a activé la TCDA, appuyez sur la touche de mise en marche et tenez-la enfoncée pendant trois secondes lorsque la hotte est éteinte. Si cinq indicateurs DEL s'allument, la hotte est réglée pour évacuer le maximum de pi^3/min par défaut; si quatre indicateurs DEL s'allument, la hotte est réglée pour évacuer un maximum de $390 \text{ pi}^3/\text{min}$; si trois indicateurs DEL s'allument, la hotte est réglée pour évacuer un maximum de $290 \text{ pi}^3/\text{min}$. Si la TCDA est activée, le nombre de vitesses du ventilateur est réduit, comme suit : $390 \text{ pi}^3/\text{min} = 3$ vitesses max.; $290 \text{ pi}^3/\text{min} = 2$ vitesses max. Une étiquette en aluminium devrait également se trouver à l'intérieur du pavillon de la hotte, près du schéma de câblage indiquant le nombre de pi^3/min que peut évacuer le ventilateur.



Diagrammes des courbes caractéristiques des ventilateurs

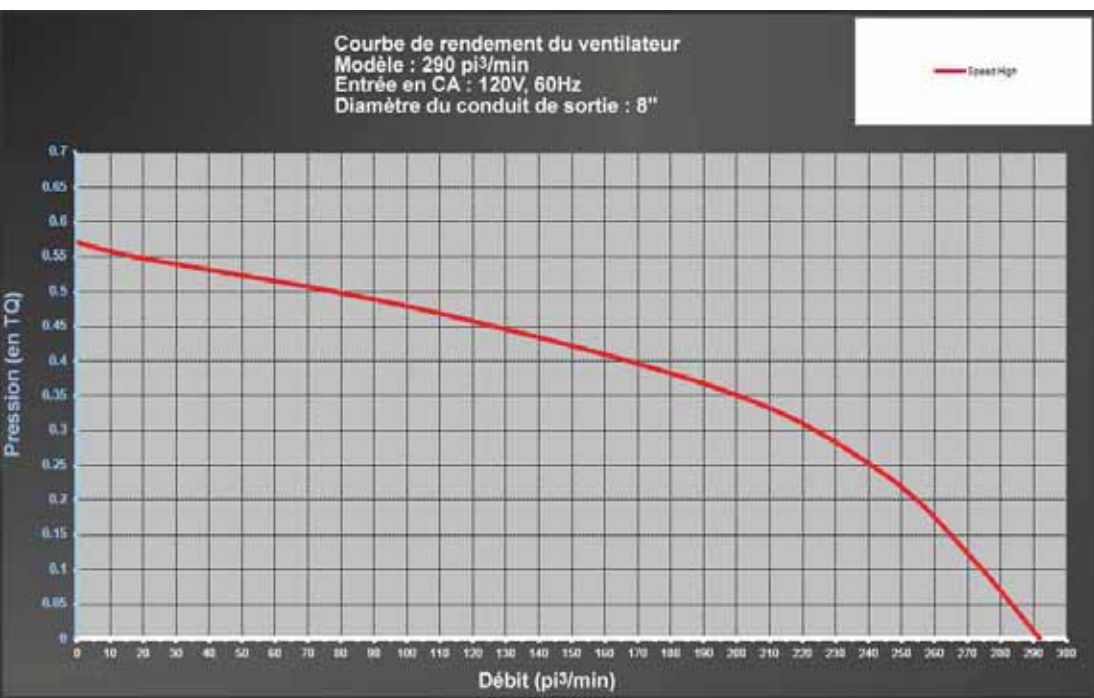
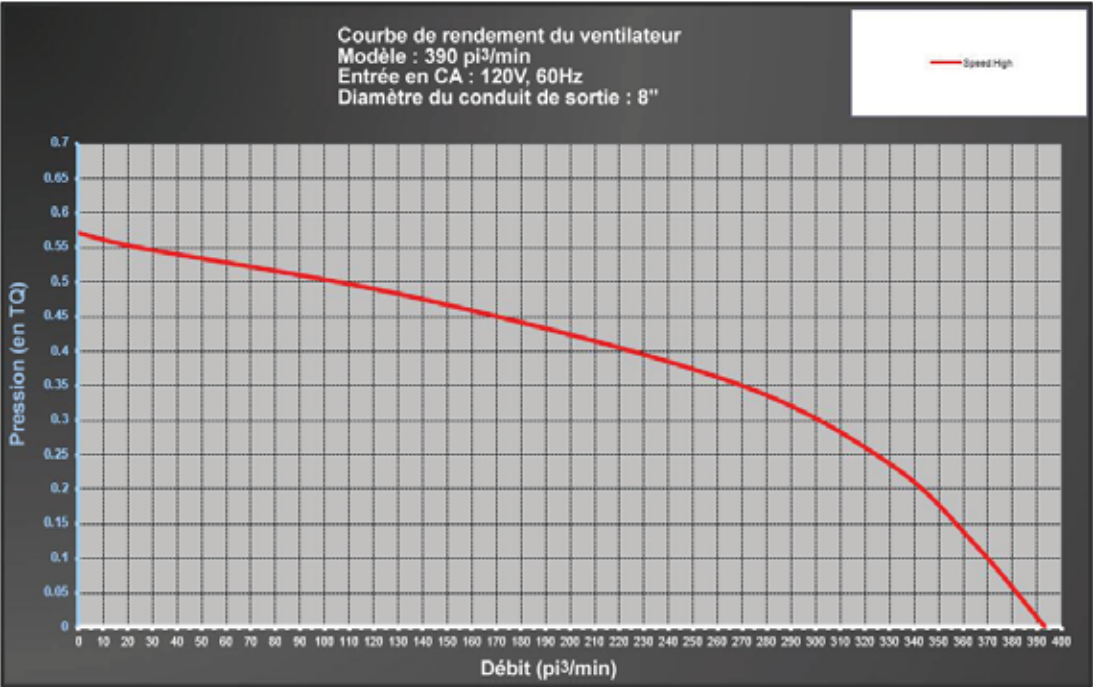
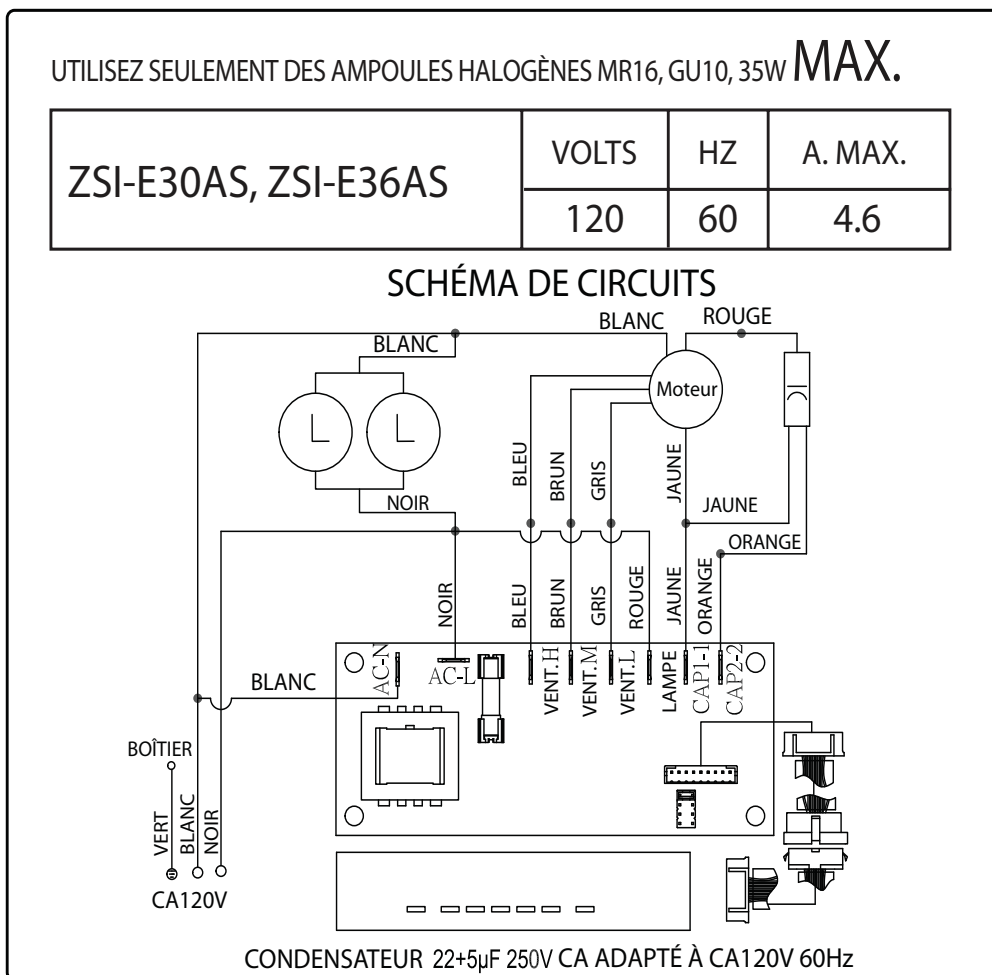


Schéma de câblage



Consommation énergétique avec configuration par défaut d'un ventilateur de 650 pi³/min.

ACT 390 pi³/min - Max. du ventilateur : 393W à 3,3 A

ACT 290 pi³/min - Max. du ventilateur : 365W à 3,0 A

DESCRIPTION	N° DE PIÈCE
Pièces de remplacement	
Filtre défecteur (unité)	50200050
Ampoule halogène de 50W (unité)	Z0B-0020
Accessoires optionnels	
Trousse de recirculation d'air	ZRC-00SI
Filtre à charbon de remplacement (unité)	Z0F-C091
Trousse de prolongement de recouvrement de conduit	Z1C-00SI

Pour commander des pièces, visitez notre site Web au <http://www.zephyronline.com> ou communiquez avec nous par téléphone au 1-888-880-8368

ZEPHYR

Garantie limitée

AGRAFEZ VOTRE REÇU ICI

Une preuve de la date d'achat originale est nécessaire pour obtenir du service lorsque le produit est sous garantie

POUR OBTENIR DU SERVICE SOUS GARANTIE OU POUR TOUTE QUESTION LIÉE À L'ENTRETIEN, veuillez communiquer avec nous au 1-888-880-8368

Zephyr Corporation (désigné aux présentes sous le nom de « nous ») garantit au premier acheteur (désigné aux présentes sous le nom de « vous » ou « votre ») de produits Zephyr (les « Produits ») que lesdits produits sont exempts de défauts de fabrication ou de main-d'œuvre selon les conditions suivantes :

Garantie de trois ans sur les pièces : Garantie de trois ans à partir de la date d'achat originale du Produit. Nous fournirons sans frais les Produits ou les pièces (y compris les ampoules LED, le cas échéant) de remplacement qui comportaient des défauts de fabrication. Nous pourrions choisir, à notre seule discrétion, de réparer ou de remplacer des pièces avant de prendre la décision de remplacer le Produit.

Garantie limitée d'un an sur la main-d'œuvre : Garantie d'un an à partir de la date d'achat originale du Produit. Nous couvrirons sans frais les frais de main-d'œuvre afférents à la réparation du Produit ou des pièces de remplacement qui comportaient des défauts de fabrication. Un an après la date d'achat originale, vous serez responsable de tous les frais de main-d'œuvre associés à la présente garantie.

Exclusions de la garantie : Cette garantie ne couvre que la réparation ou le remplacement, à notre gré, de pièces ou de Produits défectueux et ne couvre aucun autre coût afférent aux Produits, dont, sans s'y limiter, les frais liés : (a) à l'entretien normal des Produits et au remplacement des pièces consommables, comme les incandescence ou halogène-ampoules, les filtres métalliques, les filtres à charbon et les fusibles; (b) à tout Produit ou pièce ayant été endommagé durant le transport ou étant le résultat d'un mauvais usage, d'une négligence, d'un accident, d'une installation incorrecte ou ne respectant pas les notices d'installation recommandées, d'un entretien ou d'une réparation inapproprié (dont ne nous sommes pas responsables); (c) à une utilisation commerciale ou ne correspondant pas à l'utilisation pour laquelle les Produits sont conçus; (d) à l'usure naturelle du fini, à l'usure due à un entretien inadéquat, à l'utilisation de produits nettoyants corrosifs ou abrasifs, de tampons nettoyeurs et de produits de nettoyage pour le four; (e) aux éclats, entailles ou fissures résultant d'un abus ou d'une mauvaise utilisation du Produit; (f) aux déplacements d'un technicien de service à votre domicile pour vous montrer comment utiliser les Produits; (g) aux dommages causés par un accident, un incendie, une inondation ou un cas fortuit. Si vous vous trouvez à l'extérieur du territoire que nous desservons, des frais supplémentaires pourraient s'appliquer pour la livraison des produits à nos points de service désignés pour une réparation sous garantie ou vous pourriez avoir à déboursier les frais de déplacement du technicien à votre domicile pour que le Produit soit réparé, enlevé ou réinstallé. Un an après la date d'achat originale du Produit, vous êtes également responsable de tous les frais de main-d'œuvre associés à la présente garantie.

Restrictions de la garantie. NOTRE OBLIGATION DE RÉPARER OU DE REMPLACER, À NOTRE GRÉ, LE PRODUIT CONSTITUE VOTRE SEUL ET UNIQUE RECOURS SOUS LA PRÉSENTE GARANTIE. NOUS NE NOUS PORTONS PAS RESPONSABLES POUR TOUT DOMMAGE INDIRECT, ACCESSOIRE OU PARTICULIER RÉSULTANT OU AYANT UN LIEN AVEC L'UTILISATION OU LE RENDEMENT DES PRODUITS. LES GARANTIES EXPRESSES DE LA SECTION PRÉCÉDENTE SONT EXCLUSIVES ET TIENNENT LIEU DE TOUTE AUTRE GARANTIE EXPRESSE. PAR LES PRÉSENTES, NOUS REJETONS ET EXCLUONS TOUTE AUTRE GARANTIE EXPRESSE POUR LES PRODUITS ET TOUTES LES GARANTIES TACITES PRÉVUES PAR LA LOI, DONT CELLES RELATIVES À LA QUALITÉ MARCHANDE OU À L'ADÉQUATION DU PRODUIT POUR UNE UTILISATION PARTICULIÈRE. Certains États ou provinces n'autorisent pas les restrictions sur la durée d'une garantie implicite ou l'exclusion ou la restriction des dommages indirects ou accessoires; par conséquent, les exclusions et restrictions mentionnées ci-dessus pourraient ne pas s'appliquer à votre cas. Dans la mesure où une loi applicable interdit l'exclusion de garanties implicites, la durée de toute garantie implicite applicable se limite à la période de deux ans décrite ci-dessus. L'unique objectif de toute description orale ou écrite est de présenter les Produits et celle-ci ne devrait pas être interprétée comme une garantie expresse. Avant d'utiliser ou de permettre l'utilisation des Produits, vous devrez déterminer si les Produits conviennent aux utilisations prévues et vous devrez assumer tout risque et toute responsabilité relatifs à ces utilisations. Nous nous réservons le droit d'utiliser des pièces reconstruites ou remises à neuf pour remplacer l'une des fonctionnalités dans le cadre de la présente garantie ou de l'une des parties de la présente garantie. L'acheteur original ne peut transférer la présente garantie et celle-ci n'est valide qu'aux États-Unis et au Canada.

Pour obtenir du service sous la garantie : Pour avoir droit à du service sous garantie, vous devez : (a) nous avertir en utilisant l'adresse ou le numéro de téléphone inscrit ci-dessous dans les soixante jours suivant la détection du défaut; (b) donner le numéro du modèle, le numéro d'identification de la pièce ainsi que le numéro de série; et (c) décrire la nature de tout défaut de la pièce ou du Produit. Au moment de faire la demande de service sous garantie, vous devrez présenter votre preuve d'achat et la preuve de la date d'achat originale. Si nous déterminons que les exclusions de la garantie énumérées ci-dessus s'appliquent ou si vous vous trouvez dans l'incapacité de nous fournir la documentation nécessaire pour obtenir du service, vous serez responsable de tous les frais d'expédition, de déplacement, de main-d'œuvre ou de tout autre coût afférent au service.

Veuillez consulter notre site Web au www.zephyronline.com pour savoir si des révisions ont été apportées à la garantie.

Zephyr Corporation Service Department, 2277 Harbor Bay Parkway, Alameda, CA 94502 1-888-880-8368