



HOSHIZAKI

Instruction Manual

HX Series
Heated Medical Equipment

Models
Warming Cabinet A



hoshizakiamerica.com

Issued: 11-6-2025
Revised: 12-18-2025

⚠ WARNING

Only qualified service technicians should install and service the appliance. To obtain the name and phone number of your local Hoshizaki Certified Service Representative, visit www.hoshizakiamerica.com. No installation or service should be undertaken until the technician has thoroughly read this Instruction Manual. Likewise, the owner/manager should not proceed to operate the appliance until the installer has instructed them on its proper operation. Failure to install, operate, and maintain the appliance in accordance with this manual may adversely affect safety, performance, component life, and warranty coverage. Proper installation is the responsibility of the installer. Product failure or property damage due to improper installation is not covered under warranty.

Hoshizaki provides this manual primarily to assist qualified service technicians in the installation, maintenance, and service of the appliance. An electronic version is available at www.hoshizakiamerica.com.

Should the reader have any questions or concerns which have not been satisfactorily addressed, please call, send an e-mail message, or write to the Hoshizaki Technical Support Department for assistance.

Phone: 1-800-233-1940; (770) 487-2331

E-mail: tech-support@hoshizaki.com

HOSHIZAKI AMERICA, INC.

618 Highway 74 South

Peachtree City, GA 30269

Attn: Hoshizaki Technical Support Department

NOTE: To expedite assistance, all correspondence/communication **MUST** include the following information:

- Model Number _____
- Serial Number _____
- Complete and detailed explanation of the problem.

IMPORTANT

This manual should be read carefully before the appliance is installed and operated. Read the warnings and guidelines contained in this manual carefully as they provide essential information for the continued safe use and maintenance of the appliance. Retain this manual for any further reference that may be necessary.

CONTENTS

Important Safety Information	4
I. Specifications.....	7
A. Construction	7
B. Electrical Data	8
II. Installation Instructions	9
A. Location	9
B. Checks Before Installation.....	10
C. Setup.....	11
D. Electrical Connection	12
E. Final Checklist.....	13
1. Pre-Startup	13
2. Post-Startup.....	13
III. Operating Instructions.....	14
A. Important Notes About Usage	14
B. Startup	16
C. Controls and Adjustments	17
D. Control Module Icons	19
E. Alarm Safeties	20
F. Safety Devices	21
IV. Cleaning and Maintenance Instructions.....	22
A. Cleaning	22
B. Maintenance.....	23
V. Preparing the Appliance for Periods of Non-Use	24
VI. Decommissioning and Disposal	25

Important Safety Information

Throughout this manual, notices appear to bring your attention to situations which could result in death, serious injury, damage to the appliance, or damage to property.

⚠ WARNING	Indicates a hazardous situation that, if not avoided, could result in death or serious injury.
NOTICE	Indicates a situation that, if not avoided, could result in damage to the appliance or property.
IMPORTANT	Indicates important information about the use and care of the appliance.


⚠ WARNING

- Only qualified service technicians should install and service the appliance.
- No installation, operation, or maintenance should be undertaken until the technician has thoroughly read this Instruction Manual. All safety precautions must be followed.
- Follow handling instructions carefully in compliance with U.S. government regulations.
- Dispose of properly in accordance with federal or local regulations.
- This appliance is not designed or intended to warm synthetic blend fabrics, metal items, flammable liquids, or hazardous liquids; do not place any of these in the appliance.
- Do not store explosive substances such as aerosol cans with a flammable propellant in this appliance.
- Do not store flammable or hazardous liquids in the appliance.
- Do not place any product on the floor of the cabinet. All product must be placed on properly installed shelves.
- Keep the area around the appliance clean. Dirt, dust, or insects in the appliance could cause harm to individuals or damage to the equipment.
- Do not throw anything onto the shelves or load any single shelf with more than 120 lb. (54.5 kg) of product. They might fall off and cause injury.

The appliance should be destined only to the use for which it has been expressly conceived. Any other use should be considered improper and therefore dangerous. The manufacturer cannot be held responsible for injury or damage resulting from improper, incorrect, and unreasonable use. Failure to install, operate, and maintain the appliance in accordance with this manual will adversely affect safety, performance, component life, and warranty coverage. **To reduce the risk of death, electric shock, serious injury, or fire, follow basic precautions including the following:**

- Wear appropriate personal protective equipment (PPE) when servicing the appliance.
- The appliance must be installed in accordance with applicable national, state, and local codes and regulations.
- This appliance is not intended for use above 2,000 m (6,561 ft). Installation above 2,000 m (6,561 ft) may adversely affect safety, performance, and component life.
- Appliance is heavy. Use care when lifting or positioning. Work in pairs when needed to prevent injury or damage.

⚠ WARNING Continued

- The appliance requires an independent power supply of proper capacity. See the nameplate for electrical specifications. Failure to use an independent power supply of proper capacity can result in a tripped breaker, blown fuse, damage to existing wiring, or component failure. This could lead to heat generation or fire.
- **THIS APPLIANCE MUST BE GROUNDED:** This appliance is equipped with a NEMA 115VAC 5-15 three-prong grounding plug  to reduce the risk of potential shock hazards. It must be plugged into a properly grounded, independent 3-prong wall outlet. If the outlet is a 2-prong outlet, it is your personal responsibility to have a qualified electrician replace it with a properly grounded, independent 3-prong wall outlet. Do not remove the ground prong from the plug and do not use an adapter plug. Failure to follow these instructions may result in death, electric shock, or fire.
- To reduce the risk of electric shock, do not touch the control module or plug with damp hands.
- To reduce the risk of electric shock, press and hold the "U" button for 1 sec. to turn the appliance off before unplugging the appliance.
- Unplug the appliance before servicing.
- Do not block access to the power supply cord or electrical outlet when positioning.
- Do not use an appliance with a damaged power cord. The power cord should not be altered, jerked, bundled, weighed down, pinched, or tangled. Such actions could result in electric shock or fire. To unplug the appliance, be sure to pull the plug, not the cord, and do not jerk the cord.
- Do not use an extension cord.
- If the power cord is damaged, it must be replaced by the manufacturer, its service agent, or similarly qualified persons in order to avoid a hazard. Upon replacement, the GREEN ground wire in the power cord must be connected to the designated grounding screw.
- Do not make any alterations to the appliance. Alterations could result in electric shock, injury, fire, or damage to the appliance.
- Do not splash, pour, or spray water directly onto or into the appliance. This might cause short circuit, electric shock, corrosion, or failure.
- Do not block air inlets or outlets, otherwise heating performance may be reduced.
- Do not tightly pack the cabinet. Allow some space between items to ensure good air flow. Also allow space between items and interior surfaces.
- The appliance is not intended for use by persons (including children) with reduced physical, sensory, or mental capabilities, or lack of experience and knowledge, unless they have been given supervision or instruction concerning use of the appliance by a person responsible for their safety.
- Children should be supervised to ensure that they do not play with the appliance.
- Do not climb, stand, or hang on the appliance or doors or allow children or animals to do so. Do not climb into the appliance or allow children or animals to do so. Death or serious injury could occur or the appliance could be damaged.
- Be careful not to pinch fingers when opening and closing the doors. Be careful when opening and closing the doors when children are in the area.

⚠ WARNING Continued

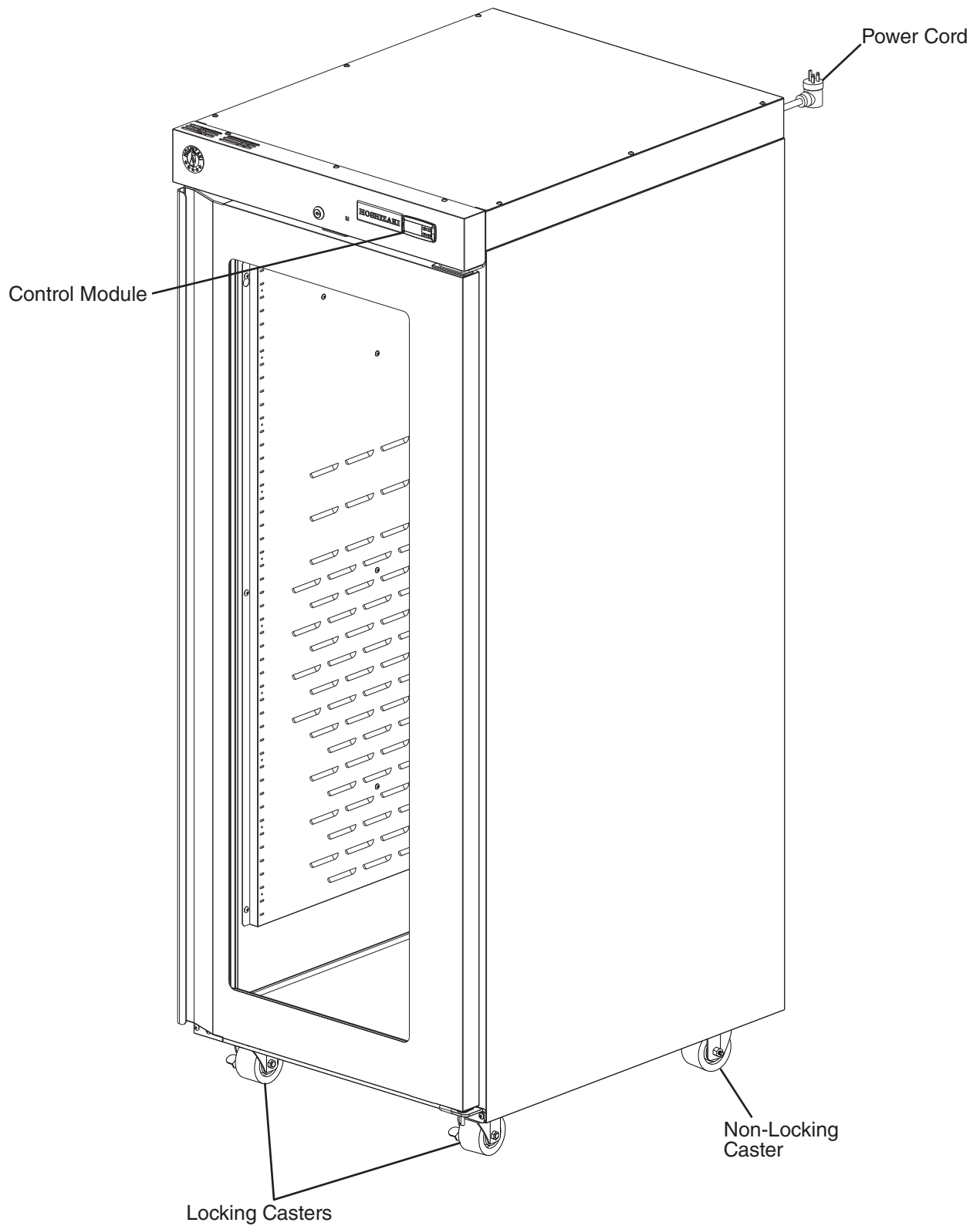
- Open and close the doors with care. Opening the doors too quickly or forcefully may cause injury or damage to the appliance or surrounding equipment.
- Do not use combustible spray or place volatile or flammable substances in or near the appliance. They might catch fire.
- Do not place items on the top of the appliance.
- Do not store liquid containers on top of the appliance.

NOTICE

- Protect the floor when moving the appliance to prevent damage to the floor.
- Do not leave the appliance on during extended periods of non-use or extended absences. To properly prepare the appliance for these occasions, follow the instructions in "V. Preparing the Appliance for Periods of Non-Use."
- Keep ventilation openings clear of obstruction.
- To prevent deformation or cracks, do not spray insecticide onto the plastic parts or let them come into contact with oil.
- To avoid damage to the gasket, use only the door handle when opening and closing.

I. Specifications

A. Construction



B. Electrical Data

The nameplate provides electrical data. The nameplate is located on the top of the cabinet interior. For certification marks, see the nameplate.

We reserve the right to make changes in specifications and design without prior notice.

Model Number	HXHC1A-FGE HXHC1A-FS HXHC1A-HGE HXHC1A-HS
AC Supply Voltage	~115V \pm 6%
Frequency	60Hz
Phase \emptyset	1Ph
Amperes	10A

II. Installation Instructions

⚠ WARNING

- This appliance must be installed in accordance with all applicable national, state, and local regulations.
- Failure to install, operate, and maintain the appliance in accordance with this manual will adversely affect safety, performance, component life, and warranty coverage.
- Appliance is heavy. Use care when lifting or positioning. Work in pairs when needed to prevent injury or damage.
- Do not block access to the power cord electrical outlet when positioning.

A. Location

⚠ WARNING

- This appliance is intended for indoor use only.
- Normal operating ambient temperature:
 - Heated Warming Cabinet 45°F to 100°F (7°C to 38°C), Relative Humidity ≤93%
- Operation of the appliance, for extended periods, outside of this normal temperature range may affect appliance performance.

For best operating results:

- The location should provide a firm and level foundation for the appliance.
- The appliance should not be located in a corrosive environment.
- The door of the appliance should not be blocked or prevented from opening.
- The appliance must be located in a position where the power supply cord is easily accessible for unplugging the appliance from the electrical outlet.
- Minimum Clearance:

Models	Front	Side	Top	Rear
HXHC1A-FGE HXHC1A-FS HXHC1A-HGE HXHC1A-HS	26" (66 cm)	0" (0 cm)	0" (0 cm)	0" (0 cm)

B. Checks Before Installation

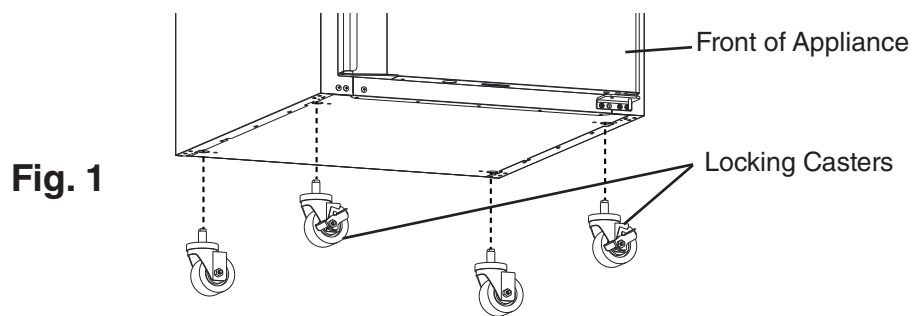
- Visually inspect the exterior of the shipping package and immediately report any damage to the carrier. Upon opening the package, any concealed damage should also be immediately reported to the carrier.
- See the nameplate label on the top of the cabinet interior. Check that your voltage supplied corresponds with the voltage specified on the nameplate.
- Remove the shipping carton, tape, and packing material. Remove the protective plastic film from the exterior panels on all models. If the appliance is exposed to the sun or to heat, remove the film after the appliance cools.
- Remove all accessory containers before discarding the packing materials. Dispose of all packing materials in a proper and environmentally responsible manner.
- Check for missing or damaged accessories.

C. Setup

1. Casters Installation and Leveling the Appliance

a) Casters Installation

- 1) Move as close to the permanent location as possible.
 - 2) Remove the 2 bolts securing the appliance to the pallet, then remove the appliance from the pallet. Block the appliance securely at a height of 8 in. (20 cm) off the floor.
NOTICE! Do not allow the door(s) to bear the weight of the appliance.
- a) Casters: Attach and tighten the casters to the bottom of the appliance. Locking casters should be attached to the front of the appliance. See Fig. 1.
NOTICE! Ensure casters are completely threaded into appliance and tight.



b) Leveling the Appliance

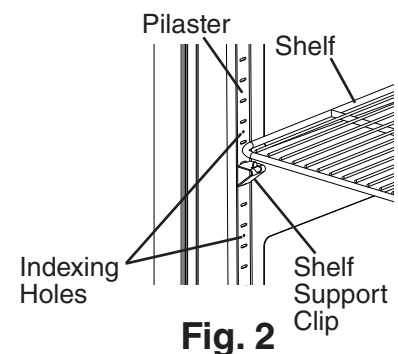
After installing the casters, lower the appliance to the floor and check the level of the appliance.

- a) Casters: If the appliance is out of level, follow the instructions and steps found in HS-3590 provided in the accessories bag. Otherwise, continue to the next section.
NOTICE! Make sure the casters are tight and no gap is left between the casters, shim plates, and appliance.

2. Install the Shelves


Shelf support clips are provided in the accessory pack.

- 1) Place the shelf support clips into the pilasters (4 shelf support clips per shelf). Indexing holes are provided on the pilasters in evenly spaced intervals to assist in positioning the support clips at the same height. See Fig. 2.
- 2) Place the shelves in position on the shelf support clips.



D. Electrical Connection

WARNING

- Electrical connection must meet national, state, and local electrical code requirements. Failure to meet these code requirements could result in death, electric shock, serious injury, fire, or severe damage to equipment.
 - This appliance requires an independent power supply of proper capacity. See the nameplate for electrical specifications. Failure to use an independent power supply of proper capacity can result in a tripped breaker, blown fuse, damage to existing wiring, or component failure. This could lead to heat generation or fire.
 - **THIS APPLIANCE MUST BE GROUNDED:** This appliance is equipped with a NEMA 115VAC 5-15 three-prong grounding plug  to reduce the risk of potential shock hazards. It must be plugged into a properly grounded, independent 3-prong wall outlet. If the outlet is a 2-prong outlet, it is your personal responsibility to have a qualified electrician replace it with a properly grounded, independent 3-prong wall outlet. Do not remove the ground prong from the plug and do not use an adapter plug. Failure to follow these instructions may result in death, electric shock, or fire.
 - To reduce the risk of electric shock, do not touch the plug with damp hands.
 - Press and hold the "U" button for 1 sec. to turn the appliance off before unplugging the appliance to reduce the risk of electric shock.
 - Do not use an extension cord.
 - Do not use an appliance with a damaged power cord. The power cord should not be altered, jerked, bundled, weighed down, pinched, or tangled. Such actions could result in electric shock or fire. To unplug the appliance, be sure to pull the plug, not the cord, and do not jerk the cord.
 - If the power cord is damaged, it must be replaced by the manufacturer, its service agent, or similarly qualified persons in order to avoid a hazard. Upon replacement, the GREEN ground wire in the power cord must be connected to the designated grounding screw.
- Usually an electrical permit and services of a licensed electrician are required.
 - The maximum allowable voltage variation is ± 6 percent of the nameplate rating.

E. Final Checklist

1. Pre-Startup

- 1) Is the appliance level?
- 2) Are the casters properly tightened to the appliance?
- 3) Have the front casters been locked?
- 4) Is the appliance in a site where the ambient temperature is within 45°F to 100°F (7°C to 38°C)?
- 5) Have the shipping carton, tape, and packing material been removed from the appliance? Has the protective plastic film been removed from the exterior panels on all models and from the interior door panels on solid door models?
- 6) Have the appliance and accessories been checked for shipping damage?
- 7) Has the power supply voltage been checked or tested against the nameplate rating? Is the power supply a properly grounded, independent wall outlet? Does the electrical connection meet all national, state, and local code and regulation requirements?
- 8) Is the power cord electrical outlet unobstructed?
- 9) Have the shelves been properly installed?
- 10) Has the end user been given the instruction manual, instructed on how to operate the appliance, and given the importance of the recommended periodic maintenance?
- 11) Has the end user been given the contact information of an authorized service agent?
- 12) Has the warranty card been filled out and forwarded to the factory for warranty registration?
- 13) Continue to "III.B. Startup".

2. Post-Startup

- 1) Are the door gaskets sealing properly?
- 2) Is the cabinet properly packed?
- 3) Is the ambient temperature within range?
- 4) Has the temperature been properly set?

III. Operating Instructions

A. Important Notes About Usage

⚠ WARNING

- Be sure to follow all Important Safety Information located at the beginning of this manual.
- Failure to install, operate, and maintain the appliance in accordance with this manual will adversely affect safety, performance, component life, and warranty coverage and may result in costly water damage.

This appliance is designed and intended to warm the following:

- Blankets and Linens
- Miscellaneous Liquid Types
- Surgical Irrigation Solution
- Blood and Blood Products
- Containers - Plastic and Tempered Glass Only

⚠ WARNING

- | | |
|--|---|
| <ul style="list-style-type: none">• Some surfaces are hot, care should be taken to avoid burns.• Failure to install, operate, and maintain the appliance in accordance with this manual may adversely affect safety, performance, component life, and warranty coverage.• To reduce the risk of electric shock, do not touch the control module or plug with damp hands.• To reduce the risk of electric shock, press and hold the "U" button for 1 sec. to turn the appliance off before unplugging the appliance.• Do not splash, pour, or spray water directly onto or into the appliance. This might cause short circuit, electric shock, corrosion, or failure.• The appliance is not intended for use by persons (including children) with reduced physical, sensory, or mental capabilities, or lack of experience and knowledge, unless they have been given supervision or instruction concerning use of the appliance by a person responsible for their safety. | <ul style="list-style-type: none">• Care should be used when placing items on top of the appliance. Foreign objects or moisture could enter the appliance and result in electric shock or fire.• This appliance is not designed or intended to warm synthetic blend fabrics.• Open and close the doors with care. Opening the doors too quickly or forcefully may cause injury or damage to the appliance or surrounding equipment.• Keep the area around the appliance clean. Dirt, dust, or insects in the appliance could cause harm to individuals or damage to the equipment.• Do not throw anything onto the shelves or load any single shelf with more than 120 lb. (54.5 kg) of product. They might fall off and cause injury.• Do not block air inlets or outlets, otherwise heating performance may be reduced.• Do not tightly pack the cabinet. Allow some space between items to ensure good air flow. Also allow space between items and interior surfaces. |
|--|---|

⚠ WARNING Continued

- Do not place any product on the floor of the cabinet. All product must be placed on properly installed shelves.
- Be careful not to pinch fingers when opening and closing the doors. Be careful when opening and closing the doors when children are in the area.
- Do not place metal items in the appliance.

NOTICE

- Normal operating ambient temperature must be within 45°F to 100°F (7°C to 38°C).
- Normal operating relative humidity condition should be $\leq 93\%$.
- Protect the floor when moving the appliance to prevent damage to the floor
- Keep ventilation openings, in the appliance enclosure or in the built-in structure, clear of obstruction. Blockage of airflow could negatively affect performance and damage the appliance.
- Do not place objects on top of the appliance.
- To prevent deformation or cracks, do not spray insecticide onto the plastic parts or let them come into contact with oil.
- To avoid damage to the gasket, use only the door handle when opening and closing.
- Do not leave the appliance on during extended periods of non-use, extended absences. To properly prepare the appliance for these occasions, follow the instructions in "V. Preparing the Appliance for Periods of Non-Use."

B. Startup

WARNING

- All parts are factory-adjusted. Improper adjustments may adversely affect safety, performance, component life, and warranty coverage.
- To reduce the risk of electric shock, do not touch the plug with damp hands.

- 1) Plug the appliance into the electrical outlet. At startup, there is a slight delay before the heater(s) start. **WARNING! To reduce the risk of electric shock, do not touch the plug with damp hands.**
- 2) If the cabinet temperature is not displayed on the control module, press and hold the "U" button (on/off button) for 1 sec. See Fig. 3.

Default Temperature Setting	Default Temperature Scale	Temperature Range
130°	°F	80°-140°F

- 3) Allow the appliance to heat up prior to filling with blankets or other items.
- 4) Return to "II.E.2. Post-Startup".

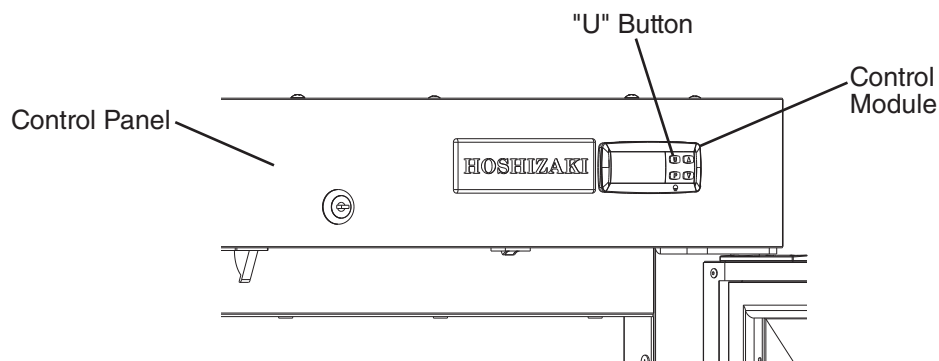


Fig. 3

C. Controls and Adjustments

1. Temperature Display

The cabinet temperature is displayed on the control module. See Fig. 4.

The default display is in °F. To convert from °F to °C, see “III.C.3. Changing the Temperature Display Scale (°F or °C).”

- Heated Warming Cabinet temperature setpoint is adjustable between 80°F and 140°F (26.7°C and 60.0°C). **The factory default is 130°F (54.4°C).**

Note: This appliance has been pre-programmed with 3 preset setpoints.

- Preset 1 (SP1) - 130°F (54.4°C) for Patient Blanket/Linens
- Preset 2 (SP2) - 100°F (37.8°C) for Surgical Irrigation Solution
- Preset 3 (SP3) - 98°F (36.7°C) for Blood and Blood Products

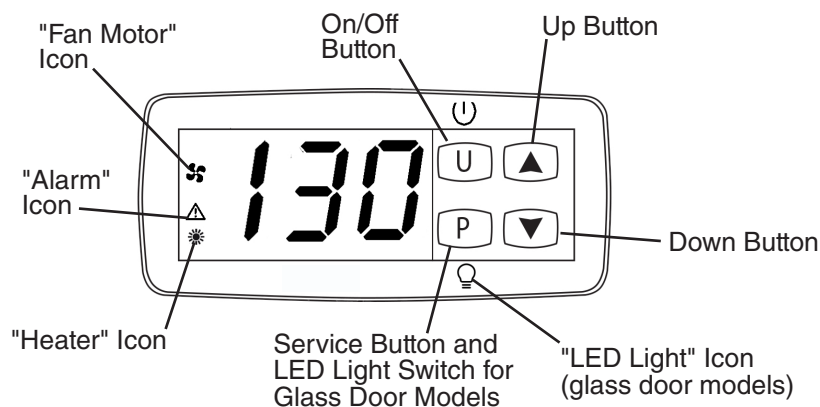


Fig. 4

2. Adjusting the Temperature Setpoint and Presets

The temperature setpoint is the value for the cabinet temperature. The temperature differential for the heater(s) to turn on or off is $\pm 1.5^{\circ}\text{F}$ ($\pm 0.8^{\circ}\text{C}$) of the temperature setpoint. For example, with a temperature setpoint of 130°F (54.4°C), the heater(s) come on at 128.5°F (53.6°C) and the heater(s) go off at 131.5°F (55.2°C). If necessary, adjust the temperature setpoint as follows:

- 1) To change the temperature setpoint, press and release the "P" button or the up or down button. The current temperature setpoint appears. Press the up or down button until the desired value is displayed. After a few seconds, the display returns to the current cabinet temperature and the temperature setpoint is saved.
- 2) To change between preset setpoints, press and hold the "U" and "P" buttons together for 5 seconds. Press the Up or Down arrow to scroll through the presets. Press the "P" button to save the selection. Press and hold the "U" button to return to normal display mode.

3. Changing the Temperature Display Scale (°F or °C)

There are 4 temperature display settings from which to choose.

The factory temperature display default is F0 for °F whole number.

For a whole number temperature display scale value, select F0 or C0.

For a temperature display scale value to one decimal point, select F1 or C1.

Display Setting	Temperature Display Example
F0 - Factory Default	130°F
C0	54°C
F1	130.0°F
C1	54.4°C

To change the temperature display setting, follow the steps below.





- 1) Press the "U" and "P" buttons together for 5 seconds. . .uP is displayed.
- 2) Press the "P" button. The current display setting (F0, F1, C0, or C1) and . .uP start flashing.
- 3) Press the up or down button until the desired temperature display setting appears.
- 4) Press the "P" button to save the selection. . .uP is displayed. To return to normal display mode, press and hold the "U" button for 5 sec. Display returns to normal display mode. If no other button is pressed after pressing the "P" button, 25 sec. later, display returns to normal display mode.

Note: If no selection is saved within 30 seconds, the display returns to normal display mode and the temperature display setting remains unchanged.



D. Control Module Icons

Control module icons inform you of energized components and if the appliance is in alarm. See Fig. 5.

Control Module Icons	
Icon	Meaning
	Heater(s) Heater(s) energized. Heater(s) de-energize when door is open.
	Fan Motor Fan motor energized. Fan motor de-energizes when door is open.
	LED Light (glass door models) Glass door cabinet LED light. The cabinet LED light is controlled by the "P" button.
	Alarm Appliance is in alarm. See "III.E. Alarm Safeties" for details.

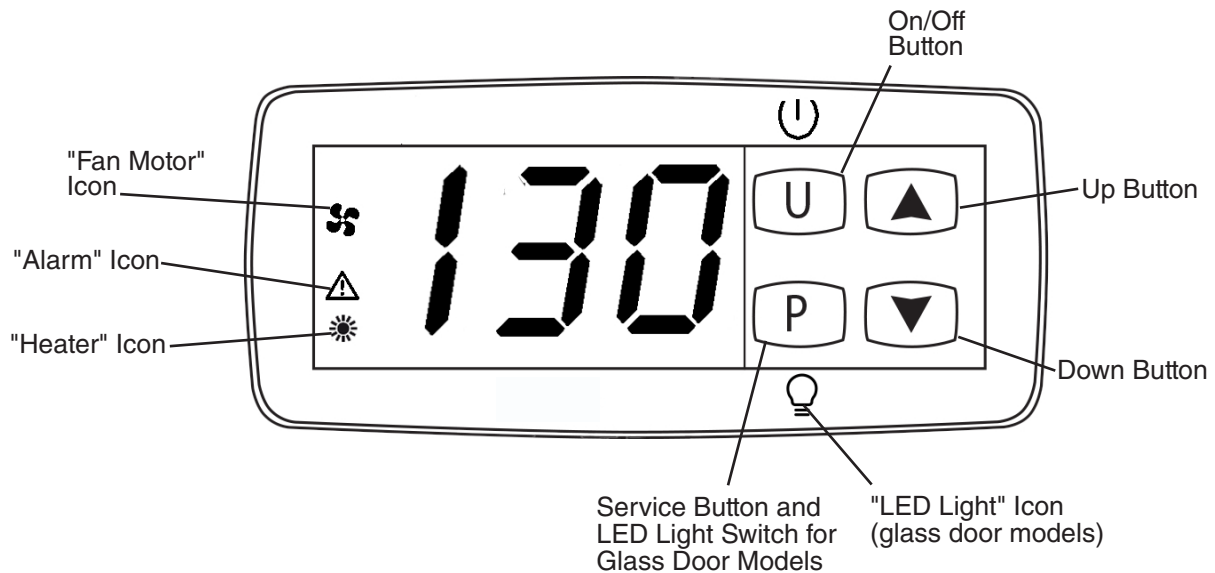


Fig. 5

E. Alarm Safeties

Alarm signals are designed to protect the appliance. These alarms give information or warnings in the event the appliance is operating out of acceptable parameters. Should one of the alarms occur, follow the instructions in the table below to address the alarm. The alarm code and alarm icon flash with audible alarm.

Alarm Signals		
Alarm Code	Problem	Corrective Action/Reset Details
oP	Door Switch Alarm: Door has remained open for more than 2 minutes. Door Is Open or The Door Switch has failed.	If obvious corrections such as closing doors does not correct the alarm, call a qualified service technician. Beeps continuously after 2 min. To silence the alarm, press and release any button.
(-)E1	Cabinet Thermistor Malfunction Alarm Cabinet thermistor has failed.	Call a qualified service technician. Beeps continuously. To silence the alarm, press and release the up button. Appliance cycles 1 min. on, 10 min. off. -E1 - Cabinet thermistor out of place or open. E1 - Cabinet thermistor shorted.
Hi	High Temperature Alarm Cabinet temperature has remained above 150°F (65.6°C) for more than 2 minutes.	If obvious corrections do not bring temperature back in range, call a qualified service technician. Beeps continuously. To silence the alarm and clear "Hi" from the display, press and release any button. The alarm icon stays on. Automatically resets when temperature returns to normal.
Lo	Low Temperature Alarm Cabinet temperature has remained below 80°F (26.7°C) for more than 2 minutes.	If obvious corrections do not bring the temperature back in range, call a qualified service technician. Beeps continuously. To silence the alarm and clear "Lo" from the display, press and release any button. The alarm icon stays on. Automatically resets when temperature returns to normal.
UHi	High Voltage Alarm (140VAC±5% or more)	Call a qualified service technician.
ULo	Low Voltage Alarm (100VAC±5% or less)	Beeps until voltage is in range. The heater(s) de-energize if voltage protection operates. The voltage safeties automatically reset when voltage is corrected.

F. Safety Devices

1. High Temperature Safety Cut-Out Switch

The high temperature safety cut-out switch activates and de-energizes the heating element when the temperature increases to 200°F (93.3°C). The heating element automatically resets when the temperature decreases to below 185°F (85.0°C).

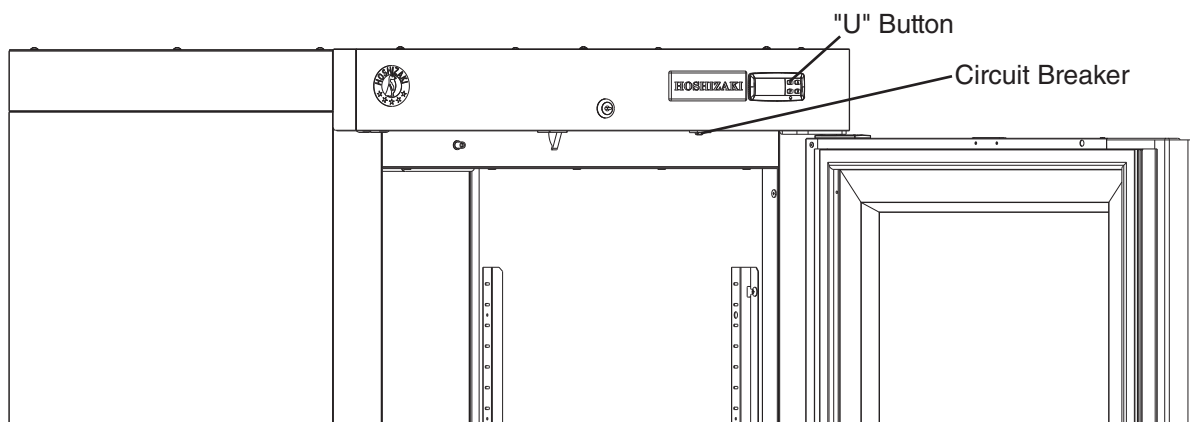
2. Heating Element Overload Protection

The heating element overload protection (circuit breaker) activates and de-energizes the heating element when the heating element amperage exceeds the allowable limit. Manual reset is required.

To reset the circuit breaker, do one of the following:

- Unplug the power cord from the electrical outlet. Press the reset on the circuit breaker. Plug the power cord back into the electrical outlet.
- Press the "U" button on the control module for 1 sec. to turn off the appliance. Press the reset on the circuit breaker. Press the "U" button to turn on the appliance.

If circuit breaker continues to trip, consult with a qualified service technician.



IV. Cleaning and Maintenance Instructions

A. Cleaning

⚠ WARNING

- Before cleaning the appliance, press and hold the "U" button to turn "OFF" the appliance, unplug the appliance to prevent electric shock by unexpected entrance of water into the appliance or injury by moving parts. To reduce the risk of electric shock, do not touch the plug with damp hands.
- Before cleaning the appliance, remove all items, trays, and containers.
- Allow the appliance to cool before attempting to touch and clean potentially hot surfaces.
- Do not splash, pour, or spray water directly onto or into the appliance. This might cause a short circuit, electric shock, corrosion, or failure.
- Carefully follow instructions provided with cleaning and sanitizing products.

NOTICE

- To prevent damage to the plastic surfaces, do not use the following: hot water, thinner, benzene, alcohol, petroleum, soap powder, polishing powder, alkaline cleaner, acid, scouring pad and especially those strong cleaners for use on a ventilating fan or a cooking range.
- To prevent corrosion and damage to stainless steel surfaces, use only products formulated for use on stainless steel appliances. Do not use steel wool, abrasive products, or products containing sodium hypochlorite (chlorine bleach).
- Use a clean cloth for cleaning.
- The manufacturer or its agent is to be consulted if there is any doubt about the compatibility of decontamination or cleaning agents with parts of the equipment or with materials contained in it.

1. Exterior

Wipe the exterior occasionally with a clean, soft cloth. Use a damp cloth containing a neutral cleaner to wipe off oil or dirt buildup. Clean any rust colored spots using a non-abrasive cleanser.

2. Cabinet Interior

Spills should be wiped up promptly to avoid unpleasant odors. The cabinet interior should be cleaned periodically with a mild soap or detergent and warm water. **NOTICE! Do not use hot water to clean the cabinet interior.**

3. Door Gaskets

Door gaskets should be cleaned regularly with mild soap and warm water to remove dirt and grease.

4. Shelves

Remove and clean regularly.

B. Maintenance

The appliance must be maintained in accordance with this instruction manual. An electronic version is available at www.hoshizakiamerica.com. Consult with your local Hoshizaki Certified Service Representative about maintenance service. Failure to maintain the appliance in accordance with this manual may adversely affect safety, performance, component life, and warranty coverage.

WARNING

- Only qualified service technicians should service the appliance.
- Press and hold the "U" button for 1 sec. to turn the appliance off, then unplug the appliance before performing maintenance or troubleshooting to prevent electric shock or injury by moving parts. To reduce the risk of electric shock, do not touch the plug with damp hands.
- Before performing maintenance or troubleshooting, remove all items, trays, and containers.

1. Power Supply Connection

If the plug or power cord is damaged, contact your local Hoshizaki service representative or local Hoshizaki distributor immediately and ask for repairs.

All other maintenance or service on this appliance should be performed in accordance with the Hoshizaki Service Manual by a qualified service technician.

V. Preparing the Appliance for Periods of Non-Use

When shutting down the appliance for periods of non-use, follow the instructions below.

⚠ WARNING

- Prevent the doors from closing to reduce the risk of children getting trapped.
- To reduce the risk of electric shock, do not touch the plug with damp hands.

NOTICE

Clean the appliance. See "IV.A. Cleaning" for details.

- 1) Before shutting down the appliance, remove all items, trays, and containers.
- 2) Press and hold the "U" button for 1 sec. to turn the appliance off, then unplug the appliance from the electrical outlet. See Fig. 6.

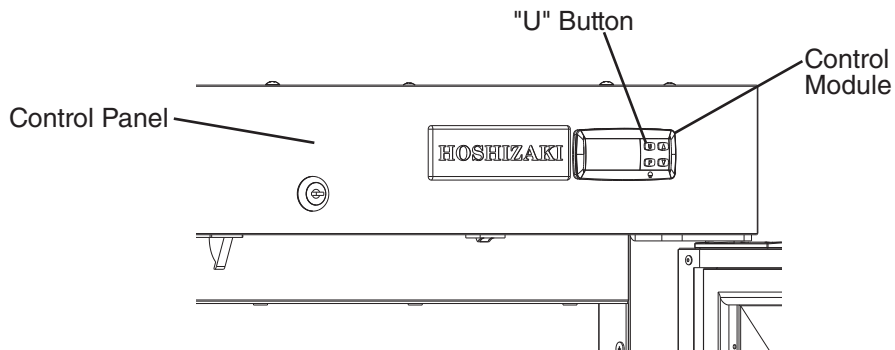


Fig. 6

VI. Decommissioning and Disposal

⚠ WARNING

Remove the door to reduce the risk of children getting trapped. Leave the shelves in place so that children may not easily climb inside.
--

The appliance must be disposed of in accordance with applicable national, state, and local codes and regulations.

HOSHIZAKI AMERICA, INC.

618 Hwy. 74 South, Peachtree City, GA 30269 USA (P) 770.487.2331 (F) 770.487.3360 hoshizakiamerica.com 1A8297-010

