

# **VEVOR<sup>®</sup>**

## **TOUGH TOOLS, HALF PRICE**

Technical Support and E-Warranty Certificate [www.vevor.com/support](http://www.vevor.com/support)

## **ORBITAL SANDER**

**MODEL: R7313**

We continue to be committed to provide you tools with competitive price.

"Save Half", "Half Price" or any other similar expressions used by us only represents an estimate of savings you might benefit from buying certain tools with us compared to the major top brands and does not necessarily mean to cover all categories of tools offered by us. You are kindly reminded to verify carefully when you are placing an order with us if you are actually saving half in comparison with the top major brands.

# VEVOR®

TOUGH TOOLS, HALF PRICE

## ORBITAL SANDER

MODEL: R7313















### NEED HELP? CONTACT US!

Have product questions? Need technical support? Please feel free to contact us:

**Technical Support and E-Warranty Certificate**  
**[www.vevor.com/support](http://www.vevor.com/support)**

This is the original instruction, please read all manual instructions carefully before operating. VEVOR reserves a clear interpretation of our user manual. The appearance of the product shall be subject to the product you received. Please forgive us that we won't inform you again if there are any technology or software updates on our product.

	<p>Warning-To reduce the risk of injury, user must read instructions manual carefully.</p>
     	<p>Always wear ANSI approved safety goggles when working with tools and equipment.</p> <p>Wear eye protection.</p> <p>Wear ear protection.</p> <p>Wear protective gloves.</p> <p>Wear a dust mask.</p> <p>Wear protective, slip-resistant footwear.</p>
	<p>Compliance is a EC &amp; UK security certification.</p>
 	<p>This product is subject to the provision of European Directive 2012/19/EC. The symbol showing a wheellie bin crossed through indicates that the product requires separate refuse collection in the European Union. This applies to the product and all accessories marked with this symbol. Products marked as such may not be discarded with normal domestic waste, but must be taken to a collection point for recycling electrical and electronic devices.</p>
	<p>Switch the product off and disconnect it from the power supply before assembly, cleaning, adjustments, maintenance, storage and transportation.</p>
	<p>This product is of protection class II. That means it is equipped with enhanced or double insulation.</p>

## IMPORTANT SAFEGUARDS

Thank you for using this product. In order to make sure that you can operate the machine correctly, read this instruction carefully before operation and keep it properly for future reference. Please be sure to read the precautions and safety rules on this page to ensure your safe use.

This manual will outline safety warnings and precautions, operating, maintenance and cleaning. The warnings and instructions reviewed in this manual cannot cover all possible conditions and situations that may occur. Caution and common sense are not built into this product, since we believe that the uses will comply with these codes. If you have any problems, please call us. Do not try to fix the problems yourself, or it will cause injury or property damage.

**Please read ALL the instructions before using your machine.**

### 1. WORK AREA SAFETY

- Keep work area clean and well lit. Cluttered or dark areas invite accidents.
- Do not operate power tools in explosive atmospheres, such as in the presence of flammable liquids, gases or dust. Power tools create sparks which may ignite the dust or fumes.
- Keep children and bystanders away while operating a power tool. Distractions can cause you to lose control.

### 2. ELECTRICAL SAFETY

- Power tool plugs must match the outlet. Never modify the plug in any way. Do not use any adapter plugs with earthed (grounded) power tools. Unmodified plugs and matching outlets will reduce risk of electric shock.
- Avoid body contact with earthed or grounded surfaces such as pipes, radiators, ranges and refrigerators. There is an increased risk of electric shock if your body is earthed or grounded.
- Do not expose power tools to rain or wet conditions. Water entering a power tool will increase the risk of electric shock.
- Do not abuse the cord. Never use the cord for carrying, pulling or unplugging the power tool. Keep cord away from heat, oil, sharp edges or

moving parts. Damaged or entangled cords increase the risk of electric shock.

- When operating a power tool outdoors, use an extension cord suitable for outdoor use. Use of a cord suitable for outdoor use reduces the risk of electric shock.
- If operating a power tool in a damp location is unavoidable, use an earth leakage circuit breaker. Use of an earth leakage circuit breaker reduces the risk of electric shock.

### **3. PERSONAL SAFETY**

- Stay alert, watch what you are doing and use common sense when operating a power tool. Do not use a power tool while you are tired or under the influence of drugs, alcohol or medication. A moment of inattention while operating power tools may result in serious personal injury.
- Use personal protective equipment. Always wear eye protection. Protective equipment such as dust mask, non-skid safety shoes, hard hat, or hearing protection used for appropriate conditions will reduce personal injuries.
- Prevent unintentional starting. Ensure the switch is in the off-position before connecting to power source and/or battery pack, picking up or carrying the tool. Carrying power tools with your finger on the switch or energising power tools that have the switch on invites accidents.
- Remove any adjusting key or wrench before turning the power tool on. A wrench or a key left attached to a rotating part of the power tool may result in personal injury.
- Do not overreach. Keep proper footing and balance at all times. This enables better control of the power tool in unexpected situations.
- Dress properly. Do not wear loose clothing or jewelry. Keep your hair, clothing and gloves away from moving parts. Loose clothes, jewelry or long hair can be caught in moving parts.
- If devices are provided for the connection of dust extraction and collection facilities, ensure these are connected and properly used. Use of dust collection can reduce dust-related hazards.

### **4. POWER TOOL USE AND CARE**

- Do not force the power tool. Use the correct power tool for your application. The correct power tool will do the job better and safer at the rate for which it was designed.
- Do not use the power tool if the switch does not turn it on and off. Any power tool that cannot be controlled with the switch is dangerous and must be repaired.
- Disconnect the plug from the power source and/or the battery pack from the power tool before making any adjustments, changing accessories, or storing power tools. Such preventive safety measures reduce the risk of starting the power tool accidentally.
- Store idle power tools out of the reach of children and do not allow persons unfamiliar with the power tool or these instructions to operate the power tool. Power tools are dangerous in the hands of untrained users.
- Maintain power tools. Check for misalignment or binding of moving parts, breakage of parts and any other condition that may affect the power tool's operation. If damaged, have the power tool repaired before use. Many accidents are caused by poorly maintained power tools.
- Keep cutting tools sharp and clean. Properly maintained cutting tools with sharp cutting edges are less likely to bind and are easier to control.
- Use the power tool, accessories and tool bits etc., in accordance with these instructions, taking into account the working conditions and the work to be performed. Use of the power tool for operations different from those intended could result in a hazardous situation.

## **5.SERVICE**

- Have your power tool serviced by a qualified repair person using only identical replacement parts. This will ensure that the safety of the power tool is maintained.

# **SAFETY INSTRUCTIONS FOR SANDER**

## **1. SAFETY INSTRUCTIONS FOR ALL OPERATIONS**

a) This power tool is intended to function as a sanding. Read all safety warnings, instructions, illustration and specifications provided with this power tool. Failure to follow all instructions listed below may result in

electric shock, fire and/or serious injury.

b) This power tool is not recommended for grinding, wire brushing or cutting off operations. Operations for which the power tool was not designed may create a hazard and cause personal injury.

c) Do not allow any loose portion of the bonnet or its attachment strings to spin freely. Tuck away or trim any loose attachment strings. Loose and spinning attachment strings can entangle your fingers or snag on the work piece.

d) Do not use accessories which are not specifically designed and recommended by the tool manufacturer. Just because the accessory can be attached to your power tool, it does not assure safe operation.

e) The rated speed of the accessory must be at least equal to the maximum speed marked on the power tool. Accessories running faster than their rated speed can fly apart.

f) The outside diameter and the thickness of your accessory must be within the capacity rating of your power tool. Incorrectly sized accessories cannot be adequately guarded or controlled.

g) The arbour size of wheels, flanges, backing pads or any other accessory must properly fit the spindle of the power tool. Accessories with arbour holes that do not match the mounting hardware of the power tool will run out of balance, vibrate excessively and may cause loss of control.

h) Do not use a damaged accessory. Before each use inspect the accessory such as abrasive wheels for chips and cracks, backing pads for cracks, tear or excess wear, wire brushes for loose or cracked wires. If the power tool or accessory is dropped, inspect for damage or install an undamaged accessory. After inspecting and installing an accessory, position yourself and bystanders away from the plane of the rotating accessory and run the power tool at maximum no load speed for one minute. Damaged accessories will normally break apart during this test time.

i) Wear personal protective equipment. Depending on application, use face shield, safety goggles or safety glasses. As appropriate, wear dust mask, hearing protectors, gloves and shop apron capable of stopping small abrasive or

work piece fragments. The eye protection must be capable of stopping flying debris generated by various operations. The dust mask or respirator must be capable of filtering particles generated by your operation.

Prolonged exposure to high intensity noise may cause hearing loss.

j) Keep bystanders a safe distance away from work area. Anyone entering the work area must wear personal protective equipment. Fragments of the work piece or of a broken accessory may fly away and cause injury beyond the immediate area of operation.

k) Position the cord clear of the spinning accessory. If you lose control, the cord may be cut or snagged and your hand or arm may be pulled into the spinning accessory.

l) Never lay the power tool down until the accessory has come to a complete stop. The spinning accessory may grab the surface and pull the power tool out of your control.

m) Do not run the power tool while carrying it at your side. Accidental contact with the spinning accessory could snag your clothing, pulling the accessory into your body.

n) Regularly clean the power tool's air vents. The motor's fan will draw the dust inside the housing and excessive accumulation of powdered metal may cause electrical hazards.

o) Do not operate the power tool near flammable materials. Sparks could ignite these materials.

p) Do not use accessories that require liquid coolants. Using water or other liquid coolants may result in electrocution or shock.

## **2. KICK BACK AND RELATED WARNINGS**

Kickback is a sudden reaction to a pinched or snagged rotating wheel, backing pad, brush or any other accessory. Pinching or snagging causes rapid stalling of the rotating accessory which in turn causes the uncontrolled power tool to be forced in the direction opposite of the accessory's rotation at the point of the binding.

For example, if an abrasive wheel is snagged or pinched by the workpiece, the edge of the wheel that is entering into the pinch point can dig into the surface of the material causing the wheel to climb out or kick out. The wheel may either jump toward or away from the operator, depending on the

direction of the wheel's movement at the point of pinching. Abrasive wheels may also break under these conditions. Kickback is the result of power tool misuse and/or incorrect operating procedures or conditions and can be avoided by taking proper precautions as given below.

a) Maintain a firm grip on the power tool and position your body and arm to allow you to resist kickback forces. Always use auxiliary handle, if provided, for maximum control over kickback or torque reaction during start-up. The operator can control torque reactions or kickback forces, if proper precautions are taken.

b) Never place your hand near the rotating accessory. The accessory may kickback over your hand.

c) Do not position your body in the area where power tool will move if kickback occurs. Kickback will propel the tool in the direction opposite to the wheel's movement at the point of snagging.

d) Use special care when working corners, sharp edges etc. Avoid bouncing and snagging the accessory. Corners, sharp edges or bouncing have a tendency to snag the rotating accessory and cause loss of control or kickback.

e) Do not attach a saw chain woodcarving blade or toothed saw blade. Such blades create frequent kickback and loss of control.

## GENERAL

- Use this tool for sanding wood、 paint removal、 polishing.
- Use the sanding paper and sponge pad which are supplied with this tool
- Only use this tool for dry sanding.
- This tool should not be used by people under the age of 16 years
- Always disconnect plug from power source before making any adjustment or changing any accessory
- Do not work materials containing asbestos (asbestos is considered carcinogenic).

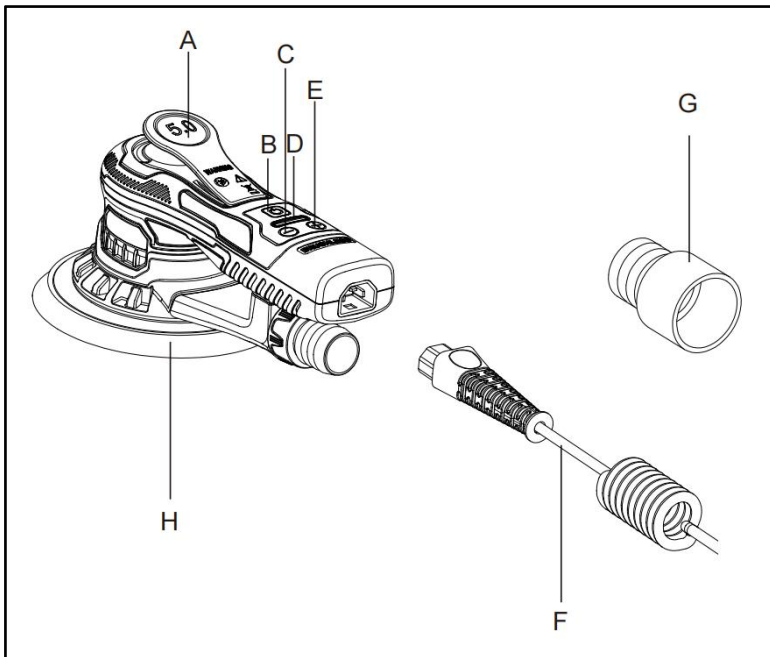
## ACCESSORIES

- Use only accessories with an allowable speed matching at least the highest no-load speed of the tool.
- Do not use damaged, deformed or vibrating accessories.

## OUTDOOR USE

- When used outdoors, connect the tool via a fault current (FI) circuit breaker with a triggering current of 30mA maximum, and only use an extension cord which is intended for outdoor use and equipped with a splashproof coupling-socket.

## PRODUCT OVERVIEW



- A. Lever      B. On / Off Key      C. RPM-      D. LED  
E. RPM-      F Power cord      G. Connect adaptor      H. Backing pad

## PRODUCT PARAMETERS

MODEL	Region	Voltage	Power	Plug Type
R7313	North America	AC120 V 60Hz	350W	American PLUG
	Europe	AC220-240V 50Hz	350W	European PLUG
	Australia	AC220-240V 50Hz	350W	Australia PLUG
No-load Speed		4000 - 10000 RPM		
Dia. $\Phi$ Max		5inch(127mm) / 6inch(150mm)		
Eccentric		5mm		
Connect adaptor		$\Phi$ 28mm		

**Note: Please use the correct power source voltage.**

**Attention: Some models have 5-inch Hook & loop backing pads that need to be purchased separately.**

## BEFORE USING

Before using the appliance for the first time, peel off any promotional and packaging materials and check that the product is clean and dust-free. Please dispose of all plastic bags carefully and keep them away from children and pets. Check all components provided according to the list in this manual.

- Always check that the supply voltage is the same as the voltage indicated on the nameplate of the tool (tools with a rating of 230V or 240V can also be connected to a 220V supply).
- Dust from material such as paint containing lead, some wood species, minerals and metal may be harmful (contact with or inhalation of the dust may cause allergic reactions and/or respiratory diseases to the operator or bystanders); wear a dust mask and work with a dust extraction device when connectable.
- Certain kinds of dust are classified as carcinogenic (such as oak and beech dust) especially in conjunction with additives for wood conditioning;

wear a dust mask and work with a dust extraction device when connectable

- Follow the dust-related national requirements for the materials you want to work with.
- Secure the work-piece (a work-piece clamped with clamping devices or in a vice is held more securely than by hand).
- Do not clamp the tool in a vice.
- Use completely unrolled and safe extension cords with a capacity of 10 Amps.

## AFTER USE

- Before you put down the tool, switch off the motor and ensure that all moving parts have come to a complete standstill
- After switching off the tool, never stop the rotation of the accessory by a lateral force applied against it.

### Proper use of tool

This sander is designed for sanding all types of materials, i.e. metals, wood, stone, plastics, etc. using abrasives designed for this purpose. Do not use this sander for any other purpose than that specified without consulting the manufacturer or the manufacturer's authorized supplier

### Work stations

The tool is intended to be operated as a hand-held tool. It is always recommended that the tool should be used when standing on a solid floor. It can be in any position but before any such use, the operator must be in a secure position, having a firm grip and footing and be aware that the sander can develop a torque reaction. See the section "Operating instructions".

## ATTACHING AND CHANGING THE SANDING PAPER

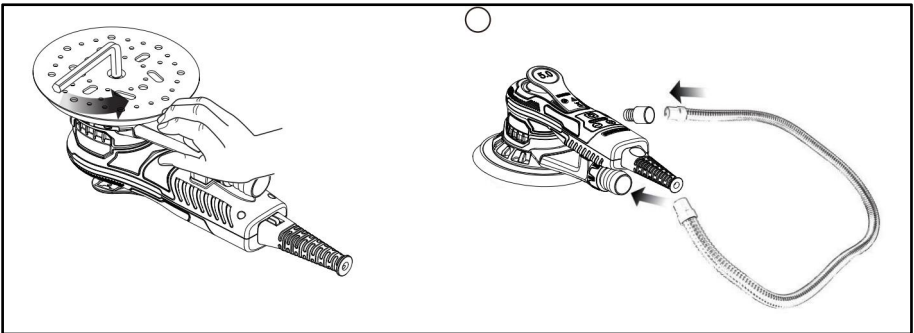
Place the sanding paper in the center of the sanding pad and press on. The holes in the sanding paper must be in alignment with the holes in the sanding pad. For round sanding pad only: conduct a test run to check that the sanding disc is clamped in the center.

## REPLACING THE BACKING PAD

- Flip the sander over and place on a flat, level surface.
- Use the S6 wrench to unscrew the screw in the center of the disk counterclockwise.
- Remove the old pad and change to the new one.
- Tighten the screw clockwise.

## VACUUM PIPE INSTALLATION

- Choose one end of the vacuum pipe, connected to the dust outlet of the machine.
- Choose another end of the vacuum pipe, connect with 35mm adapter first, then connected with the vacuum cleaner.



## OPERATING INSTRUCTIONS

The tool is intended to be operated as a hand held tool. The tool can be used in any position. Note! The sander can develop a torque reaction when started. Make sure the sander is switched off. Select a suitable abrasive and secure it to the backing pad. Make sure the abrasive is centered on the backing pad. Switch on the sander by pressing the On/Off key, The sander LED is now green.

1. The sander can now be started by pressing the lever.
2. The speed can be adjusted between 4,000rpm and max rpm by adjusting the position of the lever.

3. The max rpm can be adjusted by pressing rpm+or rpm-,Each press increases or reduces the speed by 1,200rpm until it reaches the limits.The rpm can be adjusted in the range 4,000 to 10,000 rpm.
4. The tool has two speed control modes.In the default mode the speed can be adjusted linearly by changing the position of the lever.In the other mode the speed remains fixed at the set max rpm when the tool is running.When the rpm+and rpm-buttons are pressed simultaneously the tool toggles between the two controlling modes.
5. When sanding,always place the tool on the work surface before starting the tool.Always remove the tool from the work surface before stopping it.This will prevent gouging of the work surface due to excess speed of the abrasive.
6. When sanding is finished,turn off the sander by pressing the On/Off key. The sander LED is now turned off.

## TROUBLESHOOTING GUIDE

Symptom	Possible cause	Solution
The sander LED shows normal,the rpm-and rpm+ keys are normal,but the switch does not work	Damaged Hall components.	Send machine back to after sales service, changing hall components.
After plugging in,no matter what button is pressed, the LED light will not light up.	Switch damaged.	Change switch components.
The LED light does not light up and the machine stops working.	Input voltage is lower than 170VAC $\pm 10$ VAC, the machine enters low voltage protection.	Change to the right input voltage, above 180V and below 285V.
The LED1,LED3,LED5 light up, Other lights off.	Input voltage is higher than 275VAC $\pm 10$ VAC, the machine enters high voltage protection.	Change to the right input voltage, above 180V and below 285V.

The LED1,LED6 light up, other lights off.	The three wires of the motor are loose or broken.	Send machine back to after sales service for repair.
---	---	--

## CLEANING & STORAGE

1. Please unplug the power cord and make sure the product is stopped before cleaning.
2. Wipe with a dry towel, do not soak in liquid.
3. Always keep tool and cord clean(especially ventilation slots).
4. Do not attempt to clean ventilation slots by inserting pointed objects through openings.

**TIPS:** Compressed air can be used to clean the powder on the surface of the product.

5. Always unplug the machine before storage.
6. Always ensure the machine is cleaned, cooled, and dried before the string.
7. Cleaning and user maintenance shall not be carried out by children without supervision.

**Manufacturer:** Shanghaimuxinmuyeyouxiangongsi

**Address:** Shuangchenglu 803nong11hao1602A-1609shi, baoshanqu, shanghai 200000 CN.

**Imported to AUS:** SIHAO PTY LTD, 1 ROKEVA STREET EASTWOOD NSW 2122 Australia

**Imported to USA:** Sanven Technology Ltd., Suite 250, 9166 Anaheim Place, Rancho Cucamonga, CA 91730

<b>EC</b>	<b>REP</b>
-----------	------------

E-CrossStu GmbH  
Mainzer Landstr.69, 60329 Frankfurt am Main.

<b>UK</b>	<b>REP</b>
-----------	------------

YH CONSULTING LIMITED.  
C/O YH Consulting Limited Office 147, Centurion House,  
London Road, Staines-upon-Thames, Surrey, TW18 4AX

**VEVOR<sup>®</sup>**

**TOUGH TOOLS, HALF PRICE**

**Technical Support and E-Warranty Certificate**

**[www.vevor.com/support](http://www.vevor.com/support)**

# VEVOR®

## TOUGH TOOLS, HALF PRICE

Assistance technique et certificat de garantie électronique [www.vevor.com/support](http://www.vevor.com/support)

### PONCEUSE ORBITALE

MODÈLE : R7313

Nous continuons à nous engager à vous fournir des outils à des prix compétitifs.

« Économisez la moitié », « Moitié prix » ou toute autre expression similaire utilisée par nous ne représente qu'une estimation des économies que vous pourriez réaliser en achetant certains outils chez nous par rapport aux grandes marques et ne couvre pas nécessairement toutes les catégories d'outils que nous proposons.

Nous vous rappelons de bien vouloir vérifier soigneusement lorsque vous passez une commande chez nous si vous économisez réellement la moitié par rapport aux grandes marques.

**VEVOR**<sup>®</sup>  
TOUGH TOOLS, HALF PRICE

PONCEUSE ORBITALE

MODÈLE : R7313



**BESOIN D'AIDE? CONTACTEZ-NOUS!**

Vous avez des questions sur nos produits ? Vous avez besoin d'assistance technique ?  
N'hésitez pas

à nous contacter : Assistance technique et certificat de garantie  
électronique [www.vevor.com/support](http://www.vevor.com/support)

Il s'agit de la notice d'utilisation d'origine. Veuillez lire attentivement toutes les instructions du manuel avant de l'utiliser. VEVOR se réserve le droit d'interpréter clairement notre manuel d'utilisation. L'apparence du produit dépend du produit que vous avez reçu. Veuillez nous excuser, nous ne vous informerons plus si des mises à jour technologiques ou logicielles sont disponibles sur notre produit.

	<p>Avertissement - Pour réduire le risque de blessure, l'utilisateur doit lire Lisez attentivement le manuel d'instructions.</p>
    	<p>Portez toujours des lunettes de sécurité approuvées par l'ANSI lorsque vous travaillez avec des outils et du matériel.</p> <p>Portez une protection pour les yeux.</p> <p>Portez une protection auditive.</p> <p>Portez des gants de protection.</p> <p>Portez un masque anti-poussière.</p> <p>Portez des chaussures de protection antidérapantes.</p>
 	<p>Compliance est une certification de sécurité CE et UK.</p>
 	<p>Ce produit est soumis aux dispositions de la directive européenne 2012/19/CE. Le symbole représentant une poubelle à roulettes barrée à travers indique que le produit nécessite un tri sélectif collecte dans l'Union européenne. Ceci s'applique au produit et tous les accessoires marqués de ce symbole. Produits marqués comme tels ne peuvent pas être jetés avec les déchets domestiques normaux déchet, mais doit être apporté à un point de collecte pour recyclage appareils électriques et électroniques.</p>
	<p>Éteignez le produit et débranchez-le de l'alimentation électrique avant montage, nettoyage, réglages, entretien, stockage et le transport.</p>
	<p>Ce produit est de classe de protection II. Cela signifie qu'il est équipé avec isolation renforcée ou double.</p>

## MESURES DE SÉCURITÉ IMPORTANTES

Nous vous remercions d'avoir utilisé ce produit. Afin de vous assurer que vous pouvez utiliser la machine correctement, lisez attentivement ces instructions avant fonctionnement et conservez-le correctement pour référence ultérieure. Assurez-vous de lire les précautions et règles de sécurité sur cette page pour assurer votre utilisation en toute sécurité. Ce manuel décrit les avertissements et précautions de sécurité, le fonctionnement, l'entretien et le nettoyage. Les avertissements et instructions examinés dans ce manuel ne peuvent pas couvrir toutes les conditions et situations possibles qui peuvent survenir. La prudence et le bon sens ne sont pas intégrés dans ce produit, car nous pensons que les utilisations seront conformes à ces codes. Si vous avez des problèmes, veuillez nous appeler. N'essayez pas de résoudre les problèmes vous-même, car cela pourrait entraîner des blessures ou des dommages matériels. Veuillez lire TOUTES les instructions avant d'utiliser votre machine.

### 1. SÉCURITÉ DE LA ZONE DE TRAVAIL

- Gardez la zone de travail propre et bien éclairée. Les zones encombrées ou sombres invitent accidents.
- N'utilisez pas d'outils électriques dans des atmosphères explosives, comme dans présence de liquides, gaz ou poussières inflammables. Les outils électriques créent des étincelles qui peuvent enflammer la poussière ou les fumées.
- Gardez les enfants et les spectateurs à l'écart lorsque vous utilisez un outil électrique.

Les distractions peuvent vous faire perdre le contrôle.

### 2. SÉCURITÉ ÉLECTRIQUE

- Les fiches des outils électriques doivent correspondre à la prise. Ne modifiez jamais la fiche de quelque façon que ce soit. N'utilisez pas d'adaptateur avec alimentation reliée à la terre. outils. Des fiches non modifiées et des prises adaptées réduiront le risque de choc électrique choc.
- Évitez tout contact corporel avec des surfaces reliées à la terre ou à la masse telles que des tuyaux, des radiateurs, des cuisinières et des réfrigérateurs. Il existe un risque accru de décharge électrique. choc électrique si votre corps est relié à la terre ou à la masse.
- N'exposez pas les outils électriques à la pluie ou à des conditions humides. L'eau pénétrant dans un L'utilisation d'un outil électrique augmente le risque de décharge électrique. • Ne pas maltraiter le cordon. Ne jamais utiliser le cordon pour transporter, tirer ou débrancher l'outil électrique. Gardez le cordon à l'écart de la chaleur, de l'huile, des bords tranchants ou

pièces mobiles. Les cordons endommagés ou emmêlés augmentent le risque d'électrocution choc.

- Lorsque vous utilisez un outil électrique à l'extérieur, utilisez une rallonge adaptée pour une utilisation en extérieur. L'utilisation d'un cordon adapté à une utilisation en extérieur réduit le risque de choc électrique.

- Si l'utilisation d'un outil électrique dans un endroit humide est inévitable, utilisez un disjoncteur de fuite à la terre. L'utilisation d'un disjoncteur de fuite à la terre réduit le risque de choc électrique.

### 3. SÉCURITÉ PERSONNELLE

- Restez vigilant, regardez ce que vous faites et faites preuve de bon sens lorsque vous utilisez un outil électrique. N'utilisez pas d'outil électrique lorsque vous êtes fatigué ou sous l'influence de drogues, d'alcool ou de médicaments. Un moment de L'inattention lors de l'utilisation d'outils électriques peut entraîner des blessures graves. blessure.

- Utilisez un équipement de protection individuelle. Porter toujours une protection pour les yeux. Les équipements de protection tels que les masques anti-poussière, les chaussures de sécurité antidérapantes, les casques de sécurité ou les protections auditives utilisés dans les conditions appropriées réduiront les risques personnels. blessures.

- Évitez tout démarrage involontaire. Assurez-vous que l'interrupteur est en position d'arrêt avant de connecter à la source d'alimentation et/ou à la batterie, de ramasser ou porter l'outil. Transporter des outils électriques avec le doigt sur l'interrupteur ou L'activation d'outils électriques dont l'interrupteur est en position marche peut entraîner des accidents. • Retirez toute clé de réglage ou de serrage avant de mettre l'outil électrique sous tension. Une clé ou une clé laissée attachée à une pièce rotative de l'outil électrique peut entraîner des blessures corporelles.

- Ne vous penchez pas trop. Gardez toujours une bonne position et un bon équilibre. permet un meilleur contrôle de l'outil électrique dans des situations inattendues. • Habillez-vous correctement. Ne portez pas de vêtements amples ni de bijoux. Gardez vos cheveux, vos vêtements et vos gants éloignés des pièces mobiles. Vêtements amples, bijoux ou vêtements longs les cheveux peuvent être happés par les pièces mobiles. • Si des dispositifs sont prévus pour le raccordement de l'extraction de poussière et installations de collecte, assurez-vous qu'elles sont connectées et utilisées correctement. Utilisation de La collecte des poussières peut réduire les risques liés à la poussière.

### 4. UTILISATION ET ENTRETIEN DES OUTILS ÉLECTRIQUES

- Ne forcez pas l'outil électrique. Utilisez l'outil électrique adapté à votre application. L'outil électrique approprié fera le travail mieux et de manière plus sûre pour lequel il a été conçu.
- N'utilisez pas l'outil électrique si l'interrupteur ne permet pas de l'allumer et de l'éteindre. Un outil électrique qui ne peut pas être contrôlé avec l'interrupteur est dangereux et doit être réparé.

Débranchez la fiche de la source d'alimentation et/ou la batterie de l'outil électrique avant d'effectuer des réglages, de changer des accessoires ou le stockage des outils électriques. De telles mesures de sécurité préventives réduisent le risque

- Rangez les outils électriques inutilisés hors de portée des enfants et ne les laissez pas aux personnes qui ne connaissent pas l'outil électrique ou ces instructions pour utiliser l'outil électrique. Les outils électriques sont dangereux entre les mains d'utilisateurs non formés.
- Entretenez les outils électriques. Vérifiez qu'il n'y a pas de mauvais alignement ou de blocage des pièces mobiles, de bris de pièces et de toute autre condition pouvant affecter le fonctionnement de l'outil électrique. En cas de dommage, faites réparer l'outil électrique avant de l'utiliser. De nombreux accidents sont causés par des outils électriques mal entretenus.
- Gardez les outils de coupe bien aiguisés et propres. Des outils de coupe bien entretenus avec des bords tranchants sont moins susceptibles de se coincer et sont plus faciles à contrôler.
- Utilisez l'outil électrique, les accessoires et les embouts d'outils, etc., conformément aux instructions, en tenant compte des conditions de travail et du travail à exécuter. Utilisation de l'outil électrique pour des opérations différentes de celles prévues pourrait entraîner une situation dangereuse.

## 5.SERVICE

- Faites entretenir votre outil électrique par un réparateur qualifié utilisant uniquement des pièces de rechange identiques. Cela garantira la sécurité de l'alimentation et l'outil est maintenu.

# CONSIGNES DE SÉCURITÉ POUR LA PONCEUSE

## 1. CONSIGNES DE SÉCURITÉ POUR TOUTES LES OPÉRATIONS

a) Cet outil électrique est conçu pour fonctionner comme une ponceuse. Lisez toutes les consignes de sécurité, avertissements, instructions, illustrations et spécifications fournies avec ce produit électrique. Le non-respect de toutes les instructions ci-dessous peut entraîner

- choc électrique, incendie et/ou blessures graves. b) Cet outil électrique n'est pas recommandé pour le meulage, le brossage métallique ou la coupe opérations hors service. Les opérations pour lesquelles l'outil électrique n'a pas été conçu peuvent créer un danger et causer des blessures corporelles. c) Ne laissez aucune partie détachée du capot ou de ses cordons de fixation tourner librement. Rangez ou coupez les cordons de fixation lâches. Desserrez et les cordes de fixation rotatives peuvent emmêler vos doigts ou s'accrocher à l'ouvrage pièce.
- d) N'utilisez pas d'accessoires qui ne sont pas spécifiquement conçus et recommandés par le fabricant de l'outil. Ce n'est pas parce que l'accessoire peut être fixé à votre outil électrique, il ne garantit pas un fonctionnement sûr. e) La vitesse nominale de l'accessoire doit être au moins égale à la vitesse maximale indiquée sur l'outil électrique. Accessoires fonctionnant plus vite que leur vitesse nominale peut voler en éclats.
- f) Le diamètre extérieur et l'épaisseur de votre accessoire doivent être compris la capacité nominale de votre outil électrique. Des accessoires de taille incorrecte ne peuvent pas être correctement protégés ou contrôlés. g) La taille de l'arbre des roues, des brides, des tampons de support ou de tout autre accessoire doit s'adapter correctement à la broche de l'outil électrique. Accessoires avec mandrin les trous qui ne correspondent pas au matériel de montage de l'outil électrique fonctionneront déséquilibré, vibre excessivement et peut entraîner une perte de contrôle. h) N'utilisez pas d'accessoire endommagé. Avant chaque utilisation, inspectez accessoires tels que des meules abrasives pour les éclats et les fissures, des tampons de support pour fissures, déchirures ou usure excessive, brosses métalliques pour fils desserrés ou fissurés. Si le Si l'outil électrique ou l'accessoire tombe, inspectez-le pour déceler tout dommage ou installez un accessoire non endommagé. Après avoir inspecté et installé un accessoire, placez-vous et les personnes à proximité loin du plan de rotation accessoire et faites fonctionner l'outil électrique à la vitesse maximale à vide pendant une minute. Les accessoires endommagés se briseront normalement pendant ce test temps.
- i) Porter un équipement de protection individuelle. Selon l'application, utiliser écran facial, lunettes de sécurité ou lunettes de protection. Selon le cas, portez un masque anti-poussière, des protections auditives protecteurs, gants et tablier d'atelier capables d'arrêter les petits abrasifs ou

fragments de pièces à usiner. La protection oculaire doit être capable d'arrêter débris volants générés par diverses opérations. Le masque anti-poussière ou le respirateur doit être capable de filtrer les particules générées par votre opération.

Une exposition prolongée à un bruit de forte intensité peut entraîner une perte auditive.

j) Gardez les spectateurs à une distance sécuritaire de la zone de travail. Toute personne entrant la zone de travail doit porter un équipement de protection individuelle. Des fragments de pièce à usiner ou d'un accessoire cassé peut s'envoler et provoquer des blessures irréparables.

k) Placez le cordon à l'écart de l'accessoire

rotatif. Si vous perdez le contrôle,

le cordon peut être coupé ou accroché et votre main ou votre bras peut être tiré dans le accessoire de filage.

l) Ne posez jamais l'outil électrique tant que l'accessoire n'est pas en position arrêt complet. L'accessoire rotatif peut saisir la surface et tirer le

m) Ne faites pas fonctionner l'outil

électrique en le portant à vos côtés.

le contact avec l'accessoire rotatif pourrait accrocher vos vêtements et tirer accessoire dans votre corps. n)

Nettoyez régulièrement les bouches d'aération de l'outil électrique. Le ventilateur du moteur aspirera poussière à l'intérieur du boîtier et accumulation excessive de poudre métallique peut provoquer des risques électriques.

o) N'utilisez pas l'outil électrique à proximité de matériaux inflammables. Des étincelles pourraient enflammer ces matériaux. p)

N'utilisez pas d'accessoires nécessitant des liquides de refroidissement. L'utilisation d'eau ou d'autres les liquides de refroidissement peuvent provoquer une électrocution ou un choc électrique.

## 2. REBOND ET AVERTISSEMENTS CONNEXES

Le rebond est une réaction soudaine à une roue rotative, un tampon de support, une brosse ou tout autre accessoire pincé ou accroché. Le pincement ou l'accrochage provoque calage rapide de l'accessoire rotatif qui à son tour provoque la outil électrique incontrôlé à forcer dans la direction opposée à celle rotation de l'accessoire au point de fixation.

Par exemple, si une meule abrasive est accrochée ou pincée par la pièce,

le bord de la roue qui pénètre dans le point de pincement peut s'enfoncer dans la surface du matériau provoquant le déplacement ou le déplacement de la roue.

la roue peut sauter vers ou loin de l'opérateur, selon la

sens de déplacement de la meule au point de pincement. Meules abrasives peut également se briser dans ces conditions. Le rebond est le résultat d'un outil électrique une mauvaise utilisation et/ou des procédures ou conditions d'exploitation incorrectes et peuvent être évité en prenant les précautions appropriées comme indiqué ci-dessous. a) Maintenez une prise ferme sur l'outil électrique et positionnez votre corps et votre bras pour vous permettent de résister aux forces de rebond. Utilisez toujours la poignée auxiliaire, si elle est fournie, pour un contrôle maximal du rebond ou de la réaction de couple lors du démarrage. l'opérateur peut contrôler les réactions de couple ou les forces de rebond, si elles sont appropriées des précautions sont prises. b) Ne placez jamais votre main à proximité de l'accessoire rotatif. L'accessoire peut rebond sur votre main. c) Ne placez pas votre corps dans la zone où l'outil électrique se déplacera si Un rebond se produit. Le rebond propulsera l'outil dans la direction opposée à le mouvement de la roue au point d'accrochage. d) Soyez particulièrement prudent lorsque vous travaillez dans les coins, les bords tranchants, etc. Évitez rebondir et accrocher l'accessoire. Coins, bords tranchants ou rebonds ont tendance à accrocher l'accessoire rotatif et à provoquer une perte de contrôle ou un pot-de-vin. e) Ne fixez pas de chaîne de scie, de lame de sculpture sur bois ou de lame de scie dentée. De telles lames créent des rebonds fréquents et des pertes de contrôle.

## GÉNÉRAL

- Utilisez cet outil pour poncer le bois, enlever la peinture et polir. • Utilisez le papier abrasif et le tampon éponge fournis avec cet outil
  - N'utilisez cet outil que pour le ponçage à sec. •
- Cet outil ne doit pas être utilisé par des personnes de moins de 16 ans
- Débranchez toujours la fiche de la source d'alimentation avant de procéder à toute opération. réglage ou changement de tout accessoire
  - Ne travaillez pas avec des matériaux contenant de l'amiante (l'amiante est considéré cancérigène).

## ACCESSOIRES

- Utilisez uniquement des accessoires dont la vitesse autorisée correspond au moins à la vitesse à vide la plus élevée de l'outil. •

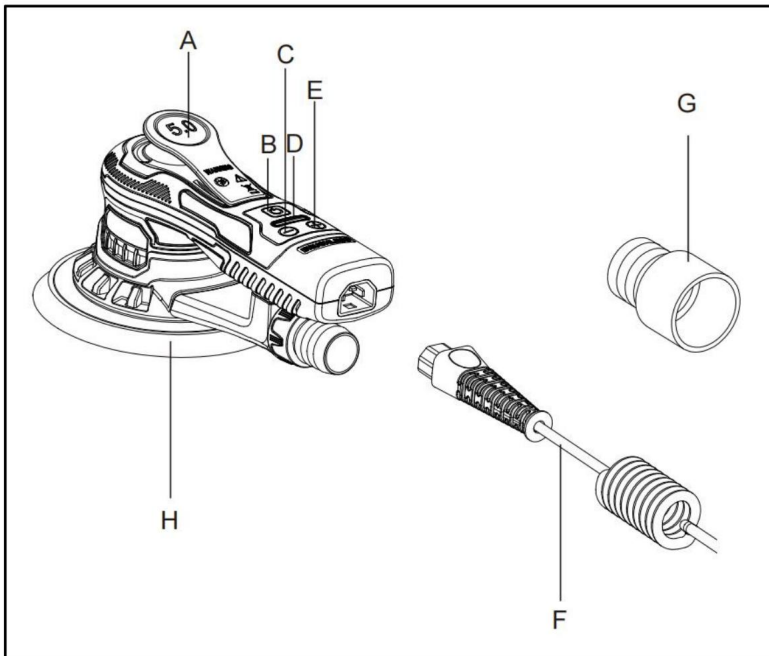
N'utilisez pas d'accessoires endommagés, déformés ou vibrants.

## UTILISATION EXTÉRIEURE

· En cas d'utilisation à l'extérieur, connectez l'outil via un circuit de courant de défaut (FI) disjoncteur avec un courant de déclenchement de 30 mA maximum, et n'utilisez qu'un rallonge qui est

destiné à une utilisation en extérieur et équipé d'une prise de raccordement étanche aux projections d'eau.

## APERÇU DU PRODUIT



A. Levier

B. Touche marche/arrêt C. RPM-

D. LED

E. Cordon d'alimentation RPM-F

G. Adaptateur de connexion H. Tampon de support

## PARAMÈTRES DU PRODUIT

MODÈLE	Région	Tension	Type de prise d'alimentation
R7313	Nord Amérique	CA 120 V 60 Hz 350 W	Américain PRISE
	Europe	220-240 V CA 50 Hz	350 W européen PRISE
	Australie	220-240 V CA 50 Hz	Prise Australienne 350 W
Vitesse à vide		4000 - 10000 tr/min	
Dia.ΦMax		5 pouces (127 mm) / 6 pouces (150 mm)	
Excentrique		5 mm	
Adaptateur de connexion		Φ28mm	

Remarque : veuillez utiliser la tension de source d'alimentation correcte.

Attention : certains modèles sont équipés de tampons auto-agrippants de 5 pouces qui doivent être achetés séparément.

## AVANT UTILISATION

Avant d'utiliser l'appareil pour la première fois, retirez tous les emballages promotionnels et matériaux d'emballage et vérifiez que le produit est propre et sans poussière.

Veuillez jeter soigneusement tous les sacs en plastique et les conserver hors de portée des enfants, enfants et animaux domestiques. Vérifiez tous les composants fournis selon la liste dans ce manuel.

- Vérifiez toujours que la tension d'alimentation est la même que la tension indiqué sur la plaque signalétique de l'outil (outils d'une puissance nominale de 230 V ou 240 V peut également être connecté à une alimentation 220 V).
- La poussière provenant de matériaux tels que la peinture contenant du plomb, certaines essences de bois, les minéraux et les métaux peut être nocive (contact ou inhalation de la poussière) peut provoquer des réactions allergiques et/ou des maladies respiratoires chez l'opérateur ou spectateurs) ; porter un masque anti-poussière et travailler avec un dispositif d'extraction de poussière lorsqu'il est connectable.
- Certains types de poussières sont classés comme cancérigènes (comme le chêne et poussière de hêtre) notamment en association avec des additifs pour le conditionnement du bois ;

porter un masque anti-poussière et travailler avec un dispositif d'extraction de poussière lorsque connectable

- Respectez les exigences nationales en matière de poussière pour les matériaux que vous souhaitez travailler avec.

- Fixer la pièce (une pièce serrée avec des dispositifs de serrage ou dans un étau est maintenu plus solidement qu'à la main).

- Ne serrez pas l'outil dans un étau.

- Utilisez des rallonges entièrement déroulées et sûres d'une capacité de 10

Amplis.

## APRES UTILISATION

- Avant de poser l'outil, éteignez le moteur et assurez-vous que tous les pièces mobiles sont complètement arrêtées

- Après avoir éteint l'outil, n'arrêtez jamais la rotation de l'accessoire par un force latérale appliquée contre elle.

Utilisation correcte de l'outil

Cette ponceuse est conçue pour poncer tous types de matériaux, c'est-à-dire métaux, bois, pierre, plastiques, etc. à l'aide d'abrasifs conçus à cet effet. Ne pas utiliser cette ponceuse à d'autres fins que celles spécifiées sans consulter le fabricant ou le fournisseur autorisé du fabricant

Postes de travail

L'outil est destiné à être utilisé comme un outil portatif. Il est toujours

il est recommandé d'utiliser l'outil en se tenant debout sur un sol solide.

peut être dans n'importe quelle position mais avant toute utilisation, l'opérateur doit être dans une position sûre, avoir une prise et un appui fermes et être conscient que la ponceuse peut développer une réaction de couple. Voir la section « Instructions d'utilisation ».

## FIXATION ET CHANGEMENT DU PAPIER ABRASIF

Placez le papier de verre au centre du patin de ponçage et appuyez.

Les trous du papier abrasif doivent être alignés avec les trous du

patin de ponçage. Pour le patin de ponçage rond uniquement : effectuez un essai pour vérifier que le disque de ponçage est serré au centre.

## REPLACEMENT DU TAMPON DE SUPPORT

- Retournez la ponceuse et placez-la sur une surface plane et horizontale. •

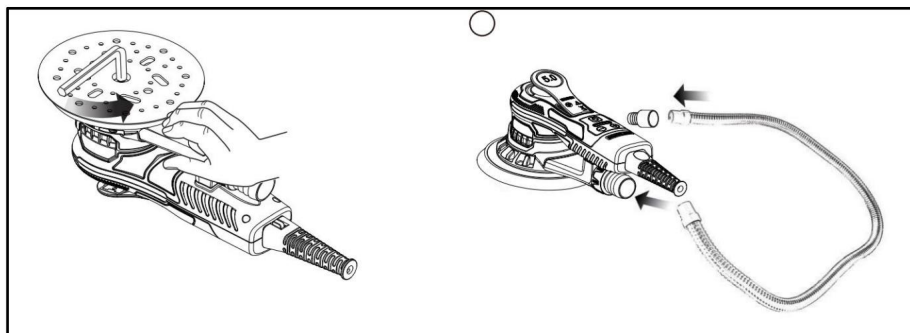
Utilisez la clé S6 pour dévisser la vis au centre du disque

dans le sens inverse des aiguilles d'une montre.

- Retirez l'ancienne plaquette et remplacez-la par la nouvelle. • Serrez la vis dans le sens des aiguilles d'une montre.

## INSTALLATION DE TUYAUX SOUS VIDE

- Choisissez une extrémité du tuyau d'aspiration, connectée à la sortie de poussière de l' machine.
- Choisissez une autre extrémité du tuyau d'aspiration, connectez-la avec un adaptateur 35 mm d'abord, puis connecté à l'aspirateur.



## MODE D'EMPLOI

L'outil est destiné à être utilisé comme un outil portatif. L'outil peut être utilisé dans n'importe quelle position. Remarque ! La ponceuse peut développer une réaction de couple lorsque démarré. Assurez-vous que la ponceuse est éteinte. Sélectionnez un abrasif approprié et fixez-le au support. Assurez-vous que l'abrasif est centré sur le plateau de support. Allumez la ponceuse en appuyant sur la touche marche/arrêt, la ponceuse La LED est maintenant verte.

1. La ponceuse peut maintenant être démarrée en appuyant sur le levier.
2. La vitesse peut être réglée entre 4 000 tr/min et le régime maximal en réglage de la position du levier.

3. Le régime maximal peut être réglé en appuyant sur rpm+ ou rpm-. Chaque pression augmente ou réduit la vitesse de 1 200 tr/min jusqu'à atteindre les limites.

Le régime peut être réglé dans la plage de 4 000 à 10 000 tr/min.

4. L'outil dispose de deux modes de contrôle de vitesse. Dans le mode par défaut, la vitesse peut être ajusté de manière linéaire en changeant la position du levier. Dans l'autre mode la vitesse reste fixée au régime maximal défini lorsque l'outil est en cours d'exécution. Lorsque les boutons rpm+ et rpm- sont enfoncés simultanément, L'outil bascule entre les deux modes de contrôle.

5. Lors du ponçage, placez toujours l'outil sur la surface de travail avant de commencer l'outil. Retirez toujours l'outil de la surface de travail avant de l'arrêter. Cela évitera de creuser la surface de travail en raison d'une vitesse excessive de la abrasif.

6. Une fois le ponçage terminé, éteignez la ponceuse en appuyant sur la touche Marche/Arrêt. La LED de la ponceuse est maintenant éteinte.

## GUIDE DE DÉPANNAGE

Symptôme	Cause possible	Solution
La LED de la ponceuse indique un état normal, la rpm-et rpm+ les touches sont normales, mais l'interrupteur ne fonctionne pas	Salle endommagée composants.	Renvoyer la machine au service après-vente service, changement composants de la salle.
Après avoir branché, quoi qu'il arrive le bouton est enfoncé, la lumière LED ne s'allume pas.	Interrupteur endommagé.	Changer de commutateur composants.
La lumière LED ne s'allume pas et la machine s'arrête fonctionnement.	La tension d'entrée est inférieure de 170 VCA $\pm 10$ VAC, la machine entre en basse tension protection.	Changer vers la droite tension d'entrée, au-dessus 180 V et moins 285V.
Les LED1, LED3, LED5 s'allument, les autres lumières s'éteignent.	La tension d'entrée est plus élevée que 275VAC $\pm 10$ VAC, la machine entre en haut protection de tension.	Changer vers la droite tension d'entrée, au-dessus de 180 V et en dessous de 285V.

Les LED1, LED6 s'allument, les autres lumières éteintes.	Les trois fils de la le moteur est desserré ou cassé.	Renvoyer la machine au service après-vente service de réparation.
--	---	---

## NETTOYAGE ET STOCKAGE

1. Veuillez débrancher le cordon d'alimentation et assurez-vous que le produit est arrêté avant le nettoyage.
2. Essuyez avec une serviette sèche, ne pas tremper dans du liquide.
3. Gardez toujours l'outil et le cordon propres (en particulier les fentes d'aération).
4. N'essayez pas de nettoyer les fentes d'aération en insérant des objets pointus à travers les ouvertures.

CONSEILS : L'air comprimé peut être utilisé pour nettoyer la poudre à la surface de le produit.

5. Débranchez toujours la machine avant de la ranger.
6. Assurez-vous toujours que la machine est nettoyée, refroidie et séchée avant chaîne.
7. Le nettoyage et l'entretien de l'appareil ne doivent pas être effectués par des enfants. sans surveillance.

Fabricant : Shanghaimuxinmuyeyouxiangongsi

Adresse : Shuangchenglu 803nong11hao1602A-1609shi, baoshanqu, shanghai 200000 CN.

Importé en Australie : SIHAO PTY LTD, 1 ROKEVA STREET, ASTWOOD  
NSW 2122 Australie

Importé aux États-Unis : Sanven Technology Ltd., Suite 250, 9166 Anaheim  
Lieu, Rancho Cucamonga, CA 91730

REPRÉSENTANT	DE LA CE
--------------	----------

E-CrossStu GmbH  
Mainzer Landstr.69, 60329 Francfort-sur-le-Main.

REPRÉSENTANT	DU ROYAUME-UNI
--------------	----------------

YH CONSULTING LIMITÉE.  
C/O YH Consulting Limited Bureau 147, Centurion House,  
London Road, Staines-upon-Thames, Surrey, TW18 4AX

**VEVOR<sup>®</sup>**

**TOUGH TOOLS, HALF PRICE**

Assistance technique et certificat de garantie  
électronique [www.vevor.com/support](http://www.vevor.com/support)

# VEVOR®

## TOUGH TOOLS, HALF PRICE

Technischer Support und E-Garantie-Zertifikat [www.vevor.com/support](http://www.vevor.com/support)

### EXZENTRIERSCHLEIFER

MODELL: R7313

Wir sind weiterhin bestrebt, Ihnen Werkzeuge zu wettbewerbsfähigen Preisen anzubieten.

„Sparen Sie die Hälfte“, „Halber Preis“ oder andere ähnliche Ausdrücke, die wir verwenden, stellen nur eine Schätzung der Ersparnis dar, die Sie beim Kauf bestimmter Werkzeuge bei uns im Vergleich zu den großen Topmarken erzielen können, und decken nicht unbedingt alle von uns angebotenen Werkzeugkategorien ab. Wir möchten Sie freundlich daran erinnern, bei Ihrer Bestellung bei uns sorgfältig zu prüfen, ob Sie im Vergleich zu den großen Topmarken tatsächlich die Hälfte sparen.

# VEVOR<sup>®</sup>

TOUGH TOOLS, HALF PRICE

EXZENTRIERSCHLEIFER

MODELL: R7313









### Brauchen Sie Hilfe? Kontaktieren Sie uns!

Haben Sie Fragen zum Produkt? Benötigen Sie technischen Support? Bitte kontaktieren Sie uns:

**Technischer Support und E-Garantie-Zertifikat [www.vevor.com/support](http://www.vevor.com/support)**

Dies ist die Originalanleitung. Bitte lesen Sie alle Anweisungen sorgfältig durch, bevor Sie das Gerät in Betrieb nehmen. VEVOR behält sich eine klare Auslegung unserer Bedienungsanleitung vor. Das Erscheinungsbild des Produkts richtet sich nach dem Produkt, das Sie erhalten haben. Bitte verzeihen Sie uns, dass wir Sie nicht erneut informieren, wenn es Technologie- oder Software-Updates für unser Produkt gibt.

	<p>Warnung-Um das Verletzungsrisiko zu verringern, muss der Benutzer Lesen Sie die Bedienungsanleitung sorgfältig durch.</p>
	<p>Tragen Sie bei der Arbeit immer eine ANSI-geprüfte Schutzbrille mit Werkzeugen und Geräten. Tragen Sie einen Augenschutz. Tragen Sie einen Gehörschutz. Tragen Sie Schutzhandschuhe. Tragen Sie eine Staubmaske. Tragen Sie schützendes und rutschfestes Schuhwerk.</p>
	<p>Compliance ist eine Sicherheitszertifizierung der EG und des Vereinigten Königreichs.</p>
	<p>Dieses Produkt unterliegt den Bestimmungen der europäischen Richtlinie 2012/19/EG. Das Symbol einer durchgestrichenen Mülltonne durch bedeutet, dass das Produkt einer getrennten Entsorgung unterliegt Sammlung in der Europäischen Union. Dies gilt für das Produkt und alle mit diesem Symbol gekennzeichneten Zubehörteile. Produkte gekennzeichnete Produkte dürfen nicht mit dem normalen Hausmüll entsorgt werden. Abfall, sondern müssen zur Wiederverwertung an einer Sammelstelle abgegeben werden elektrische und elektronische Geräte.</p>
	<p>Schalten Sie das Produkt aus und trennen Sie es von der Stromversorgung vor Montage, Reinigung, Einstellungen, Wartung, Lagerung und Transport.</p>
	<p>Dieses Produkt ist in Schutzklasse II. Das heißt, es ist ausgestattet mit verstärkter oder doppelter Isolierung.</p>

## WICHTIGE SICHERHEITSHINWEISE

Vielen Dank, dass Sie dieses Produkt verwenden. Um sicherzustellen, dass Sie  
Um die Maschine richtig zu bedienen, lesen Sie diese Anleitung sorgfältig durch, bevor Sie  
und bewahren Sie sie für spätere Verwendung gut auf. Bitte lesen Sie sie unbedingt  
die Vorsichtsmaßnahmen und Sicherheitsregeln auf dieser Seite, um Ihre sichere Verwendung zu gewährleisten.  
In diesem Handbuch werden Sicherheitshinweise und Vorsichtsmaßnahmen sowie Bedienung, Wartung  
und Reinigung beschrieben. Die in diesem Handbuch beschriebenen Hinweise und Anweisungen  
Das Handbuch kann nicht alle möglichen Bedingungen und Situationen abdecken, die auftreten können.  
Vorsicht und gesunder Menschenverstand sind in diesem Produkt nicht eingebaut, da wir glauben  
dass die Verwendung diesen Vorschriften entspricht. Wenn Sie Probleme haben, rufen Sie uns bitte an.  
Versuchen Sie nicht, die Probleme selbst zu beheben, da dies zu Verletzungen führen kann.  
oder Sachschäden.

**Bitte lesen Sie ALLE Anweisungen, bevor Sie Ihre Maschine verwenden.**

### 1. SICHERHEIT AM ARBEITSBEREICH

- Halten Sie den Arbeitsbereich sauber und gut beleuchtet. Unordnung oder dunkle Bereiche laden Unfälle.
- Betreiben Sie Elektrowerkzeuge nicht in explosionsgefährdeten Bereichen, wie z. B. in Vorhandensein von brennbaren Flüssigkeiten, Gasen oder Staub. Elektrowerkzeuge erzeugen Funken da dies den Staub oder die Dämpfe entzünden könnte.
- Halten Sie Kinder und andere Personen während der Benutzung eines Elektrowerkzeugs fern. Durch Ablenkung können Sie die Kontrolle verlieren.

### 2. ELEKTRISCHE SICHERHEIT

- Der Stecker des Elektrowerkzeugs muss in die Steckdose passen. Verändern Sie den Stecker niemals in irgendeiner Weise. Verwenden Sie keine Adapterstecker mit geerdetem Netzstecker. Werkzeuge. Unveränderte Stecker und passende Steckdosen verringern das Risiko von Stromschlägen Schock.
- Vermeiden Sie Körperkontakt mit geerdeten Oberflächen wie Rohren, Heizkörpern, Herden und Kühlschränken. Es besteht ein erhöhtes Risiko für elektrische Stromschlag, wenn Ihr Körper geerdet ist. • Setzen Sie Elektrowerkzeuge nicht Regen oder Nässe aus. Elektrowerkzeug erhöht das Risiko eines elektrischen Schlages. • Missbrauchen Sie das Kabel nicht. Verwenden Sie das Kabel niemals zum Tragen, Ziehen oder Trennen Sie das Elektrowerkzeug vom Stromnetz. Halten Sie das Kabel fern von Hitze, Öl, scharfen Kanten oder

bewegliche Teile. Beschädigte oder verwickelte Kabel erhöhen das Risiko eines Stromschlags.

Schock.

- Wenn Sie ein Elektrowerkzeug im Freien benutzen, verwenden Sie ein Verlängerungskabel, das für den Einsatz im Freien. Die Verwendung eines für den Außenbereich geeigneten Kabels verringert das Risiko Stromschlag.

- Wenn der Betrieb eines Elektrowerkzeugs in feuchter Umgebung unvermeidlich ist, verwenden Sie einen Erdungsstecker Fehlerstrom-Schutzschalter. Der Einsatz eines Fehlerstrom-Schutzschalters reduziert die Gefahr eines Stromschlags. Es besteht die Gefahr eines Stromschlags.

### **3. PERSÖNLICHE SICHERHEIT**

- Bleiben Sie wachsam, achten Sie darauf, was Sie tun, und verwenden Sie Ihren gesunden Menschenverstand, wenn Sie ein Elektrowerkzeug benutzen, wenn Sie müde sind oder unter dem Einfluss von Drogen, Alkohol oder Medikamenten. Ein Moment der Unachtsamkeit beim Umgang mit Elektrowerkzeugen kann zu schweren Verletzungen führen.

Verletzungen. • Verwenden Sie persönliche Schutzausrüstung. Tragen Sie immer einen Augenschutz. Schutzausrüstung wie Staubmaske, rutschfeste Sicherheitsschuhe, Schutzhelm oder Gehörschutz je nach Einsatzbedingungen verringern das persönliche Verletzungsrisiko.

- Verhindern Sie unbeabsichtigtes Starten. Stellen Sie sicher, dass sich der Schalter in der Aus-Position befindet vor dem Anschließen an die Stromquelle und/oder den Akku, vor dem Aufnehmen oder Tragen des Werkzeugs. Das Tragen von Elektrowerkzeugen mit dem Finger auf dem Schalter oder das Einschalten von Elektrowerkzeugen mit eingeschaltetem Schalter kann zu Unfällen führen. • Entfernen Sie vor dem Einschalten des Elektrowerkzeugs alle Einstellschlüssel oder Schraubenschlüssel.

Ein in einem rotierenden Teil des Elektrowerkzeugs steckender Schraubenschlüssel oder Schlüssel kann zu

- Überstrecken Sie sich

nicht. Achten Sie stets auf einen sicheren Stand und halten Sie das Gleichgewicht.

- Ermöglicht eine bessere Kontrolle des Elektrowerkzeugs in unerwarteten Situationen. • Ziehen Sie sich angemessen an. Tragen Sie keine weite Kleidung oder Schmuck. Halten Sie Haare, Kleidung und Handschuhe von beweglichen Teilen fern. Weite Kleidung, Schmuck oder lange Haare können in beweglichen Teilen hängen bleiben. •

- Wenn Vorrichtungen für den Anschluss von Staubabsaugung und Sammelstellen, stellen Sie sicher, dass diese angeschlossen und ordnungsgemäß genutzt werden. Durch Staubabsaugung können staubbedingte Gefahren verringert werden.

### **4. VERWENDUNG UND PFLEGE VON ELEKTROWERKZEUGEN**

- Überlasten Sie das Elektrowerkzeug nicht. Verwenden Sie das richtige Elektrowerkzeug für Ihre Anwendung. Das richtige Elektrowerkzeug erledigt die Arbeit besser und sicherer bei der

- Benutzen Sie das Elektrowerkzeug nicht, wenn der Schalter nicht funktioniert.

Das Benutzen eines Elektrowerkzeugs, das nicht mit dem Schalter gesteuert werden kann, ist gefährlich und

- Ziehen Sie den

Stecker aus der Steckdose und/oder den Akkupack aus der

das Elektrowerkzeug, bevor Sie Einstellungen vornehmen, Zubehörteile wechseln oder

Lagerung von Elektrowerkzeugen. Solche vorbeugenden Sicherheitsmaßnahmen verringern das Risiko unbeabsichtigtes Starten des Elektrowerkzeugs. •

Bewahren Sie unbenutzte Elektrowerkzeuge außerhalb der Reichweite von Kindern auf und lassen Sie

Personen, die mit dem Elektrowerkzeug oder dieser Anleitung nicht vertraut sind, dürfen das Gerät nicht

Elektrowerkzeug. Elektrowerkzeuge sind in den Händen von unerfahrenen Benutzern gefährlich. • Warten

Sie Elektrowerkzeuge. Überprüfen Sie, ob bewegliche Teile falsch ausgerichtet sind oder klemmen, Teile gebrochen sind oder andere Zustände vorliegen, die die Leistung des Elektrowerkzeugs beeinträchtigen können.

Betrieb. Lassen Sie das Elektrowerkzeug bei Beschädigung vor dem Einsatz reparieren. Viele

Unfälle werden durch schlecht gewartete Elektrowerkzeuge verursacht. • Halten

Sie Schneidwerkzeuge scharf und sauber. Ordnungsgemäß gewartete Schneidwerkzeuge

mit scharfen Schneidkanten verklemmen sich weniger und sind leichter zu kontrollieren. • Verwenden Sie

Elektrowerkzeug, Zubehör und Werkzeugbits usw. gemäß

diese Anweisungen unter Berücksichtigung der Arbeitsbedingungen und der

Verwendung des Elektrowerkzeugs für andere Zwecke als die, die

beabsichtigte Verwendung kann zu einer gefährlichen Situation führen.

## **5.SERVICE**

- Lassen Sie Ihr Elektrowerkzeug nur von einem qualifizierten Reparaturfachmann reparieren und verwenden Sie dabei

identische Ersatzteile. Dadurch wird die Sicherheit des Netzteils gewährleistet

Werkzeug wird gewartet.

## **SICHERHEITSHINWEISE FÜR SCHLEIFER**

### **1. SICHERHEITSHINWEISE FÜR ALLE ARBEITSVORGÄNGE**

a) Dieses Elektrowerkzeug ist für den Einsatz als Schleifgerät vorgesehen. Lesen Sie alle Sicherheitshinweise Warnungen, Anweisungen, Abbildungen und Spezifikationen, die mit diesem

Elektrowerkzeug. Die Nichtbeachtung aller unten aufgeführten Anweisungen kann zu

Stromschlag, Feuer und/oder schwere Verletzungen.

b) Dieses Elektrowerkzeug ist nicht zum Schleifen, Bürsten oder Schneiden geeignet.

Arbeiten, für die das Elektrowerkzeug nicht ausgelegt ist, können

eine Gefahr darstellen und zu Verletzungen führen. c)

Lassen Sie keine losen Teile der Motorhaube oder deren Befestigungsschnüre

frei drehen. Verstauen oder schneiden Sie alle losen Befestigungsschnüre ab. Lose und

rotierende Befestigungsschnüre können Ihre Finger verwickeln oder am Werkstück hängen bleiben

d)

Verwenden Sie kein Zubehör, das nicht speziell dafür vorgesehen ist und

vom Werkzeughersteller empfohlen. Nur weil das Zubehör

an Ihrem Elektrowerkzeug angebracht werden, gewährleistet es keinen sicheren Betrieb.

e) Die Nenndrehzahl des Zubehörs muss mindestens der

Die auf dem Elektrowerkzeug angegebene Höchstgeschwindigkeit. Zubehör, das schneller läuft als

ihre Nenngeschwindigkeit kann auseinanderfliegen.

f) Der Außendurchmesser und die Dicke Ihres Zubehörs müssen innerhalb

die Belastbarkeit Ihres Elektrowerkzeugs. Falsch dimensionierte Zubehörteile können nicht

ausreichend geschützt oder kontrolliert werden. g)

Die Dorngröße von Rädern, Flanschen, Stütztellern oder anderem Zubehör

muss richtig auf die Spindel des Elektrowerkzeugs passen. Zubehör mit Dorn

Löcher, die nicht mit den Befestigungsteilen des Elektrowerkzeugs übereinstimmen, führen zu

aus dem Gleichgewicht geraten, übermäßig vibrieren und zu einem Kontrollverlust führen.

h) Verwenden Sie kein beschädigtes Zubehör. Überprüfen Sie vor jedem Gebrauch das

Zubehör wie Schleifscheiben für Absplinterungen und Risse, Stützteller für

Risse, Abnutzung oder übermäßigen Verschleiß, Drahtbürsten für lose oder gerissene Drähte. Wenn die

Wenn das Elektrowerkzeug oder Zubehör herunterfällt, überprüfen Sie es auf Schäden oder installieren Sie einen

unbeschädigtes Zubehör. Nach der Überprüfung und Installation eines Zubehörs sollten Sie

und umstehende Personen sich von der Ebene des rotierenden

und lassen Sie das Elektrowerkzeug eine Stunde lang mit maximaler Leerlaufdrehzahl laufen.

Minute. Beschädigte Zubehörteile brechen normalerweise während dieses Tests auseinander

Zeit.

i) Tragen Sie persönliche Schutzausrüstung. Je nach Anwendung verwenden Sie

Gesichtsschutz,

Schutzbrille oder Schutzgläser. Tragen Sie ggf. eine Staubmaske, Gehörschutz

Schutzhandschuhe und Schürze, die kleine abrasive oder

Werkstücksplitter. Der Augenschutz muss in der Lage sein, herumfliegende Trümmer, die bei verschiedenen Operationen entstehen. Die Staubmaske oder Atemschutzmaske muss in der Lage sein, die bei Ihrem Betrieb entstehenden Partikel zu filtern.

Länger andauernde Belastung durch Lärm mit hoher Intensität kann zu Hörverlust führen.

j) Halten Sie umstehende Personen in sicherem Abstand vom Arbeitsbereich.

Der Arbeitsbereich muss persönliche Schutzausrüstung tragen. Fragmente der Das Werkstück oder ein zerbrochenes Zubehörteil können wegfliegen und Verletzungen verursachen, die im unmittelbaren Arbeitsbereich. k) Positionieren

Sie das Kabel so, dass es nicht in der Nähe des rotierenden Zubehörs ist. Wenn Sie die Kontrolle verlieren, Das Kabel kann durchtrennt oder eingeklemmt werden und Ihre Hand oder Ihr Arm können in das Spinnzubehör.

l) Legen Sie das Elektrowerkzeug niemals ab, bevor das Einsatzwerkzeug zum Stillstand gekommen ist vollständig zum Stillstand. Das rotierende Zubehör kann sich an der Oberfläche festsetzen und das

m) Lassen Sie das Elektrowerkzeug nicht laufen, während Sie es tragen.

Der Kontakt mit dem rotierenden Zubehör könnte Ihre Kleidung beschädigen und die

n) Reinigen Sie regelmäßig die Lüftungsschlitze des Elektrowerkzeugs. Der Lüfter des Motors saugt die Staub im Gehäuse und übermäßige Ansammlung von Metallpulver kann elektrische Gefahren verursachen.

o) Betreiben Sie das Elektrowerkzeug nicht in der Nähe von brennbaren Materialien. Funken könnten diese Materialien entzünden.

p) Verwenden Sie kein Zubehör, das flüssige Kühlmittel benötigt. Die Verwendung von Wasser oder anderen flüssige Kühlmittel können einen Stromschlag oder Schock verursachen.

## **2. KICKBACK UND DAMIT VERBUNDENE WARNHINWEISE**

Ein Rückschlag ist eine plötzliche Reaktion auf ein eingeklemmtes oder hängengebliebenes rotierendes Rad, einen Stützteller, eine Bürste oder ein anderes Zubehör. Einklemmen oder Hängenbleiben verursacht schnelles Blockieren des rotierenden Zubehörs, was wiederum dazu führt, dass unkontrolliertes Elektrowerkzeug in die entgegengesetzte Richtung gezwungen wird Drehung des Zubehörs am Bindungspunkt.

Wenn beispielsweise eine Schleifscheibe am Werkstück hängen bleibt oder eingeklemmt wird, Die Kante des Rades, die in den Quetschpunkt eintritt, kann sich in die Oberfläche des Materials, wodurch das Rad herausklettert oder herausschlägt. Die Das Lenkrad kann je nach Fahrer entweder auf den Fahrer zu oder von ihm weg springen.

Richtung der Bewegung des Rades an der Klemmstelle. Schleifräder

kann unter diesen Bedingungen auch brechen. Rückschlag ist das Ergebnis von Elektrowerkzeug

Missbrauch und/oder falsche Betriebsverfahren oder Bedingungen und kann

vermeiden, indem Sie die unten aufgeführten Vorsichtsmaßnahmen ergreifen.

a) Halten Sie das Elektrowerkzeug fest und positionieren Sie Ihren Körper und Arm so,

ermöglichen Ihnen, Rückschlagkräften entgegenzuwirken. Verwenden Sie immer den Zusatzhandgriff, falls vorhanden,

für maximale Kontrolle über Rückschlag oder Drehmomentreaktion beim Start. Die

Der Bediener kann Drehmomentreaktionen oder Rückschlagkräfte kontrollieren, wenn richtig

Vorsichtsmaßnahmen getroffen

werden. b) Halten Sie Ihre Hand niemals in die Nähe des rotierenden Zubehörs. Das Zubehör kann

c) Halten Sie Ihren Körper von der

Bewegung des Elektrowerkzeugs fern, wenn es

Rückschlag auftritt. Der Rückschlag treibt das Werkzeug in die entgegengesetzte Richtung

die Bewegung des Rades an der Stelle, an der es hängen bleibt. d)

Gehen Sie besonders vorsichtig vor, wenn Sie Ecken, scharfe Kanten usw. bearbeiten. Vermeiden Sie

das Zubehörteil aufprallt und hängen bleibt. Ecken, scharfe Kanten oder aufprallende

neigen dazu, sich am rotierenden Zubehör zu verfangen und einen Kontrollverlust zu verursachen

oder Rückschlag.

e) Befestigen Sie keine Sägekette, kein Holzschritzsägeblatt und kein gezahntes Sägeblatt.

Bei solchen Klingen kommt es häufig zu Rückschlägen und Kontrollverlust.

## ALLGEMEIN

• Verwenden Sie dieses Werkzeug zum Schleifen von Holz, Entfernen von Farbe und

Polieren. • Verwenden Sie das mit diesem Werkzeug mitgelieferte Schleifpapier und den Schwamm.

• Verwenden Sie dieses Werkzeug nur zum

Trockenschleifen. • Dieses Werkzeug darf nicht von Personen unter 16 Jahren verwendet werden.

• Ziehen Sie immer den Stecker aus der Steckdose, bevor Sie

Anpassung oder Austausch von Zubehörteilen

• Bearbeiten Sie keine asbesthaltigen Materialien (Asbest gilt als

krebserregend).

## ZUBEHÖR

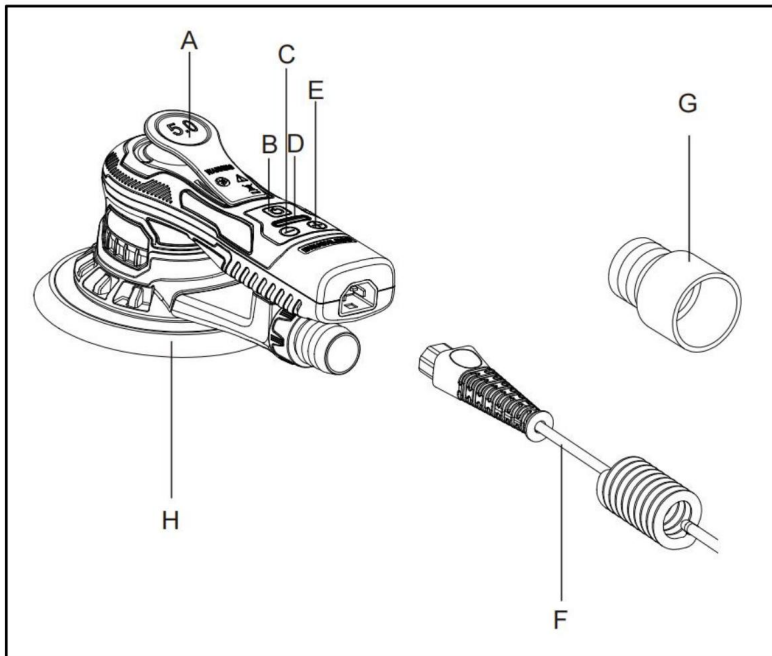
- Verwenden Sie nur Zubehör mit einer zulässigen Geschwindigkeit, die mindestens der höchste Leerlaufdrehzahl des Werkzeugs. •
- Keine beschädigten, verformten oder vibrierenden Zubehöerteile verwenden.

### Verwendung im Außenbereich

· Bei Einsatz im Außenbereich das Gerät über einen Fehlerstrom-Schutzschalter (FI) anschließen mit einem Auslösestrom von maximal 30 mA und verwenden Sie nur einen Verlängerungskabel, das

Für den Einsatz im Außenbereich vorgesehen und mit einer spritzwassergeschützten Kupplungssteckdose ausgestattet.

## PRODUKTÜBERSICHT



A. Hebel

B. Ein-/Aus-Taste C. Drehzahl- G.

D. LED

E. Drehzahl - F Netzkabel

Adapter anschließen H. Stützsteller

## PRODUKTPARAMETER

MODELL	Region	Stromspannung	Netzsteckertyp
R7313	Norden Amerika	Wechselstrom 120 V, 60 Hz	350 W amerikanisch STECKER
	Europa	Wechselstrom 220-240 V 50 Hz	350 W europäisch STECKER
	Australien	Wechselstrom 220-240 V 50 Hz	350 W Australien-Stecker
Leerlaufdrehzahl		4000 - 10000 U/min	
Durchm. $\ddot{y}$ Max		5 Zoll (127 mm) / 6 Zoll (150 mm)	
Exzenter		5 mm	
Adapter anschließen		$\ddot{y}$ 28 mm	

**Hinweis: Bitte verwenden Sie die richtige Stromquellenspannung.**

**Achtung: Einige Modelle haben 5-Zoll-Klett-Stützteller, die müssen separat erworben werden.**

### VOR DEM GEBRAUCH

Vor der ersten Inbetriebnahme alle Werbe- und

Verpackungsmaterialien und prüfen Sie, ob das Produkt sauber und staubfrei ist.

Bitte entsorgen Sie alle Plastiktüten sorgfältig und bewahren Sie sie fern von

Kinder und Haustiere. Überprüfen Sie alle mitgelieferten Komponenten gemäß der Liste in dieses Handbuch.

- Überprüfen Sie immer, dass die Versorgungsspannung mit der Spannung übereinstimmt auf dem Typenschild des Werkzeugs angegeben (Werkzeuge mit einer Leistung von 230V 240 V kann auch an eine 220-V-Stromversorgung angeschlossen werden.
- Staub von Materialien wie bleihaltiger Farbe, einigen Holzarten, Mineralien und Metall kann gesundheitsschädlich sein (Kontakt mit oder Einatmen des Staubs kann allergische Reaktionen und/oder Atemwegserkrankungen beim Bediener oder umstehende Personen); tragen Sie eine Staubmaske und arbeiten Sie mit einem Staubabsauggerät wenn anschließbar.

Bestimmte Staubarten gelten als krebserregend (z. B. Eichen- und Buchenmehl), insbesondere in Verbindung mit Zusätzen zur Holzaufbereitung;

Tragen Sie eine Staubmaske und arbeiten Sie mit einer Staubabsaugung, wenn anschließbar

- Beachten Sie die staubbezogenen nationalen Anforderungen für die Materialien, die Sie zum Arbeiten.

- Sichern Sie das Werkstück (mit Spannvorrichtungen eingespanntes Werkstück oder im Schraubstock wird sicherer gehalten als mit der Hand).

Spannen Sie das Werkzeug nicht in einen

Schraubstock ein. • Verwenden Sie vollständig abgerollte und sichere Verlängerungskabel mit einer Kapazität von 10 Ampere.

#### NACH DEM GEBRAUCH

- Bevor Sie das Werkzeug ablegen, schalten Sie den Motor aus und stellen Sie sicher, dass alle bewegliche Teile sind völlig zum Stillstand gekommen

- Nach dem Ausschalten des Werkzeugs darf die Drehung des Zubehörs niemals durch seitliche Kraft, die dagegen ausgeübt wird.

#### **Richtiger Einsatz des Werkzeugs**

Dieser Schleifer ist zum Schleifen aller Arten von Materialien, d. h. Metalle, Holz, Stein, Kunststoffe usw., mit speziell dafür vorgesehenen Schleifmitteln konzipiert. Verwenden Sie keine

Verwenden Sie diesen Schleifer nicht für andere als die angegebenen Zwecke, ohne Rücksprache mit dem Hersteller oder autorisierter Lieferant des Herstellers

#### **Arbeitsplätze**

Das Werkzeug ist für den Einsatz als Handwerkzeug vorgesehen. Es ist immer

Es wird empfohlen, das Werkzeug auf festem Boden zu verwenden.

kann in jeder Position sein, aber vor einer solchen Verwendung muss der Bediener in einer

Sichere Position, festen Halt und Stand und seien Sie sich bewusst, dass der Schleifer

kann eine Drehmomentreaktion entwickeln. Siehe Abschnitt „Bedienungsanleitung“.

#### **Anbringen und Wechseln des Schleifpapiers**

Das Schleifpapier mittig auf den Schleifteller legen und andrücken.

Die Löcher im Schleifpapier müssen mit den Löchern im

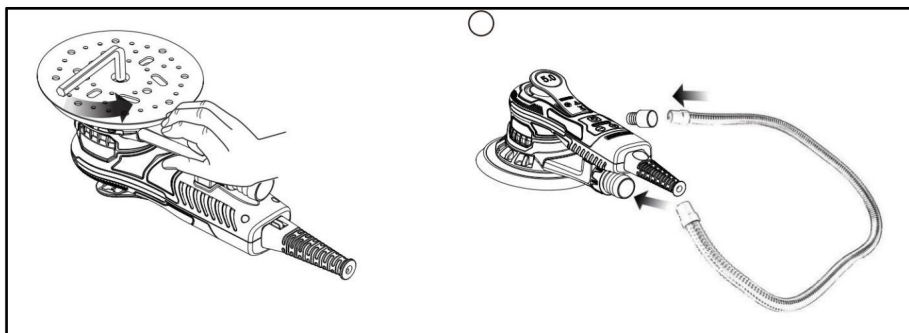
Schleifteller. Nur für runden Schleifteller: Führen Sie einen Probelauf durch, um zu prüfen, ob die Schleifscheibe wird mittig eingespannt.

## AUSTAUSCH DES STÜTZTELLERS

- Drehen Sie den Schleifer um und legen Sie ihn auf eine flache, ebene Fläche.
- Lösen Sie mit dem S6-Schlüssel die Schraube in der Mitte der Scheibe gegen den Uhrzeigersinn.
- Entfernen Sie den alten Belag und wechseln Sie zum neuen.
- Ziehen Sie die Schraube im Uhrzeigersinn fest.

## VAKUUMROHRINSTALLATION

- Wählen Sie ein Ende des Vakuumrohrs, das mit dem Staubauslass des Maschine.
- Wählen Sie ein anderes Ende des Vakuumrohrs und verbinden Sie es mit einem 35-mm-Adapter zuerst, dann mit dem Staubsauger verbunden.



## BEDIENUNGSANLEITUNG

Das Werkzeug ist für den Einsatz als Handwerkzeug vorgesehen. Das Werkzeug kann in jeder Position verwendet werden. Hinweis! Der Schleifer kann eine Drehmomentreaktion entwickeln, wenn gestartet. Stellen Sie sicher, dass der Schleifer ausgeschaltet ist. Wählen Sie ein geeignetes Schleifmittel und befestigen Sie es am Stützteller. Stellen Sie sicher, dass das Schleifmittel mittig auf dem Schleifteller. Schalten Sie den Schleifer durch Drücken der Ein-/Aus-Taste ein. Der Schleifer Die LED leuchtet jetzt grün.

1. Jetzt kann der Schleifer durch Drücken des Hebels gestartet werden.
2. Die Drehzahl kann zwischen 4.000 U/min und max. U/min eingestellt werden durch Einstellen der Position des Hebels.

3. Die maximale Drehzahl kann durch Drücken von rpm+ oder rpm- eingestellt werden.

erhöht oder verringert die Drehzahl um 1.200 U/min, bis die Grenzen erreicht sind.

Die Drehzahl ist im Bereich von 4.000 bis 10.000 U/min einstellbar.

4. Das Werkzeug verfügt über zwei Geschwindigkeitsregelungsmodi. Im Standardmodus ist die Geschwindigkeit kann durch Veränderung der Hebelposition linear eingestellt werden.

Im Modus bleibt die Drehzahl bei der eingestellten maximalen Drehzahl konstant, wenn das Werkzeug

Wenn die Tasten rpm+ und rpm- gleichzeitig gedrückt werden,

Das Tool wechselt zwischen den beiden Steuerungsmodi.

5. Legen Sie beim Schleifen das Werkzeug immer auf die Arbeitsfläche, bevor Sie beginnen

das Werkzeug. Entfernen Sie das Werkzeug immer von der Arbeitsfläche, bevor Sie aufhören

Dadurch wird verhindert, dass die Arbeitsfläche durch zu hohe Geschwindigkeit des Schleifmittel.

6. Wenn der Schleifvorgang abgeschlossen ist, schalten Sie den Schleifer durch Drücken der Ein-/Aus-Taste aus.

Die Schleifer-LED ist jetzt ausgeschaltet.

## ANLEITUNG ZUR FEHLERSUCHE

Symptom	Mögliche Ursache	Lösung
Die Schleifer-LED zeigt normal an, rpm- und rpm+ Tasten sind normal, aber der Schalter funktioniert nicht	Beschädigte Halle Komponenten.	Maschine zurückschicken zum After-Sales Service, Änderung Hallenkomponenten.
Nach dem Einstecken, egal was Taste gedrückt wird, leuchtet die LED leuchtet nicht.	Schalter beschädigt.	Schalter ändern Komponenten.
Die LED-Leuchte leuchtet nicht und die Maschine bleibt stehen Arbeiten.	Die Eingangsspannung ist niedriger als 170VAC ±10VAC, die Maschine tritt in Niederspannung ein Schutz.	Wechsel nach rechts Eingangsspannung, über 180 V und darunter 285 V.
Die LED1, LED3, LED5 leuchten, die anderen Lichter sind aus.	Die Eingangsspannung ist höher als 275VAC±10VAC, die Maschine geht hoch Spannungsschutz.	Wechsel nach rechts Eingangsspannung, über 180V und unter 285 V.

Die LED1,LED6 leuchten, andere Licht aus.	Die drei Drähte des Motor sind lose oder gebrochen.	Maschine zurückschicken zum After-Sales Service zur Reparatur.
---	---	--

## REINIGUNG & LAGERUNG

1. Bitte ziehen Sie den Netzstecker und stellen Sie sicher, dass das Produkt gestoppt ist vor der Reinigung.

2. Mit einem trockenen Handtuch abwischen, nicht in Flüssigkeit einweichen.

3. Halten Sie Werkzeug und Kabel stets sauber (insbesondere Lüftungsschlitze).

4. Versuchen Sie nicht, Lüftungsschlitze durch Einführen spitzer Gegenstände zu reinigen durch Öffnungen.

**TIPPS:** Mit Druckluft kann das Pulver auf der Oberfläche von das Produkt.

5. Trennen Sie die Maschine vor der Lagerung immer vom Stromnetz.

6. Stellen Sie immer sicher, dass die Maschine gereinigt, abgekühlt und getrocknet ist, bevor Sie

Zeichenfolge.

7. Reinigung und Benutzerwartung dürfen nicht von Kindern durchgeführt werden ohne Aufsicht.

**Hersteller:** Shanghai muxin muyeyouxiangongsi

**Adresse:** Shuangchenglu 803nong11hao1602A-1609shi, baoshanqu, Shanghai 200000 CN.

**Nach AUS importiert:** SIHAO PTY LTD, 1 ROKEVA STREET EASTWOOD  
NSW 2122 Australien

**Importiert in die USA:** Sanven Technology Ltd., Suite 250, 9166 Anaheim  
Ort, Rancho Cucamonga, CA 91730

<b>Vertreter der EG</b>	
-------------------------	--

E-CrossStu GmbH  
Mainzer Landstr.69, 60329 Frankfurt am Main.

<b>UK REP</b>	
---------------	--

YH CONSULTING LIMITED.  
C/O YH Consulting Limited Office 147, Centurion House,  
London Road, Staines-upon-Thames, Surrey, TW18 4AX

**VEVOR**<sup>®</sup>

**TOUGH TOOLS, HALF PRICE**

**Technischer Support und E-Garantie-Zertifikat**

**[www.vevor.com/support](http://www.vevor.com/support)**

# VEVOR®

## TOUGH TOOLS, HALF PRICE

Supporto tecnico e certificato di garanzia elettronica [www.vevor.com/support](http://www.vevor.com/support)

### LEVIGATRICE ORBITALE

MODELLO: R7313

Continuiamo a impegnarci per fornirvi strumenti a prezzi competitivi.

"Risparmia la metà", "Metà prezzo" o qualsiasi altra espressione simile da noi utilizzata rappresenta solo una stima del risparmio che potresti ottenere acquistando determinati utensili con noi rispetto ai principali marchi principali e non significa necessariamente coprire tutte le categorie di utensili da noi offerti. Ti ricordiamo gentilmente di verificare attentamente quando effettui un ordine con noi se stai effettivamente risparmiando la metà rispetto ai principali marchi principali.

# VEVOR<sup>®</sup>

TOUGH TOOLS, HALF PRICE

LEVIGATRICE ORBITALE

MODELLO: R7313














## HAI BISOGNO DI AIUTO? CONTATTACI!

Hai domande sul prodotto? Hai bisogno di supporto tecnico? Non esitare a contattarci:

**Supporto**

**tecnico e certificato di garanzia elettronica [www.vevor.com/  
support](http://www.vevor.com/support)**

Questa è l'istruzione originale, si prega di leggere attentamente tutte le istruzioni del manuale prima di utilizzare. VEVOR si riserva una chiara interpretazione del nostro manuale utente. L'aspetto del prodotto sarà soggetto al prodotto ricevuto. Vi preghiamo di perdonarci se non vi informeremo di nuovo se ci sono aggiornamenti tecnologici o software sul nostro prodotto.

	<p>Attenzione: per ridurre il rischio di lesioni, l'utente deve leggere attentamente il manuale di istruzioni.</p>
     	<p>Indossare sempre occhiali di sicurezza omologati ANSI quando si lavora con strumenti e attrezzature.</p> <p>Indossare protezioni per gli occhi.</p> <p>Indossare protezioni acustiche.</p> <p>Indossare guanti protettivi.</p> <p>Indossare una maschera antipolvere.</p> <p>Indossare calzature protettive e antiscivolo.</p>
	<p>Compliance è una certificazione di sicurezza CE e UK.</p>
	<p>Questo prodotto è soggetto alle disposizioni della Direttiva Europea 2012/19/CE. Il simbolo raffigurante un bidone della spazzatura barrato attraverso indica che il prodotto richiede un rifiuto separato raccolto nell'Unione Europea. Ciò vale per il prodotto e tutti gli accessori contrassegnati con questo simbolo. Prodotti contrassegnati come tali non possono essere smaltiti con i normali rifiuti domestici rifiuti, ma devono essere portati in un punto di raccolta per il riciclaggio dispositivi elettrici ed elettronici.</p>
	<p>Spegnere il prodotto e scollegarlo dall'alimentazione elettrica prima del montaggio, pulizia, regolazioni, manutenzione, stoccaggio e trasporti.</p>
	<p>Questo prodotto è di classe di protezione II. Ciò significa che è dotato con isolamento migliorato o doppio.</p>

## IMPORTANTI MISURE DI SICUREZZA

Grazie per aver utilizzato questo prodotto. Per assicurarti di poter utilizzare la macchina correttamente, leggere attentamente queste istruzioni prima funzionamento e conservarlo correttamente per riferimento futuro. Si prega di leggere attentamente le precauzioni e le norme di sicurezza presenti in questa pagina per garantire un utilizzo sicuro. Questo manuale descriverà le avvertenze e le precauzioni di sicurezza, il funzionamento, la manutenzione e la pulizia. Le avvertenze e le istruzioni esaminate in questo Il manuale non può coprire tutte le possibili condizioni e situazioni che potrebbero verificarsi. La cautela e il buon senso non sono incorporati in questo prodotto, poiché crediamo che gli usi saranno conformi a questi codici. Se hai problemi, chiamaci. Non cercare di risolvere i problemi da solo, o causerai lesioni o danni alla proprietà.

**Si prega di leggere TUTTE le istruzioni prima di utilizzare la macchina.**

### 1. SICUREZZA NELL'AREA DI LAVORO

- Mantenere l'area di lavoro pulita e ben illuminata. Le aree disordinate o buie invitano incidenti.

- Non utilizzare utensili elettrici in atmosfere esplosive, come ad esempio presenza di liquidi, gas o polveri infiammabili. Gli utensili elettrici creano scintille che possono incendiare la polvere o i fumi. •

Tenere lontani i bambini e gli astanti durante l'utilizzo di un elettrodomestico.

Le distrazioni possono farti perdere il controllo.

### 2. SICUREZZA ELETTRICA

- Le spine degli utensili elettrici devono essere adatte alla presa. Non modificare mai la spina in alcun modo.

Non utilizzare adattatori con alimentazione con messa a terra

strumenti. Le spine non modificate e le prese corrispondenti ridurranno il rischio di scosse elettriche shock.

- Evitare il contatto del corpo con superfici collegate a terra o a massa come tubi, radiatori, fornelli e frigoriferi. Esiste un rischio maggiore di scosse elettriche.

scosse elettriche se il tuo corpo è collegato a terra o a

massa. • Non esporre gli utensili elettrici alla pioggia o a condizioni di bagnato. L'acqua che entra in un

elettrodomestico aumenta il rischio di scosse elettriche. • Non abusare

del cavo. Non utilizzare mai il cavo per trasportare, tirare o

scogliere l'utensile elettrico. Tenere il cavo lontano da calore, olio, bordi taglienti o

parti in movimento. I cavi danneggiati o aggrovigliati aumentano il rischio di scosse elettriche. shock.

- Quando si utilizza un elettrotensile all'aperto, utilizzare una prolunga adatta per uso esterno. L'uso di un cavo adatto all'uso esterno riduce il rischio di scossa elettrica.

- Se è inevitabile utilizzare un elettrotensile in un luogo umido, utilizzare un interruttore differenziale. L'uso di un interruttore differenziale riduce la rischio di scossa elettrica.

### **3. SICUREZZA PERSONALE**

- Resta vigile, guarda cosa stai facendo e usa il buon senso quando azionare un elettrotensile. Non utilizzare un elettrotensile quando si è stanchi o sotto l'effetto di droghe, alcol o farmaci. Un momento di la disattenzione durante l'uso di utensili elettrici può causare gravi danni personali lesioni.

- Utilizzare dispositivi di protezione individuale. Indossare sempre protezioni per gli occhi. Dispositivi di protezione come maschera antipolvere, scarpe di sicurezza antiscivolo, casco o protezioni acustiche utilizzati in condizioni appropriate ridurranno i rischi personali. lesioni. •

Prevenire l'avvio involontario. Assicurarsi che l'interruttore sia in posizione off prima di collegare alla fonte di alimentazione e/o al pacco batteria, sollevare o trasportare l'utensile. Trasportare utensili elettrici con il dito sull'interruttore o L'accensione di utensili elettrici con l'interruttore acceso può provocare incidenti. •

Rimuovere qualsiasi chiave di regolazione o chiave inglese prima di accendere l'utensile elettrico. una chiave inglese o una chiave lasciata attaccata a una parte rotante dell'utensile elettrico può causare in caso di lesioni

personali. • Non sporgersi troppo. Mantenere sempre un appoggio e un equilibrio adeguati. Questo consente un migliore controllo dell'utensile elettrico in situazioni impreviste. • Vestirsi in modo appropriato. Non indossare abiti larghi o gioielli. Tenere capelli, abiti e guanti lontani dalle parti in movimento. Abiti larghi, gioielli o lunghi

i capelli possono rimanere impigliati nelle parti in

movimento. • Se sono previsti dispositivi per il collegamento dell'aspirazione della polvere e strutture di raccolta, assicurarsi che siano collegate e utilizzate correttamente. L'uso di la raccolta della polvere può ridurre i rischi ad essa correlati.

### **4. USO E CURA DEGLI UTENSILI ELETTRICI**

- Non forzare l'utensile elettrico. Utilizzare l'utensile elettrico corretto per il proprio applicazione. L'utensile elettrico corretto svolgerà il lavoro meglio e in modo più sicuro velocità per cui è stato progettato.
- Non

utilizzare l'utensile elettrico se l'interruttore non lo accende e lo spegne. Qualsiasi L'utensile elettrico che non può essere controllato con l'interruttore è pericoloso e deve essere riparato.

- Scollegare la spina dalla fonte di alimentazione e/o il pacco batteria da l'utensile elettrico prima di effettuare qualsiasi regolazione, cambiare accessori o riporre gli utensili elettrici. Tali misure di sicurezza preventive riducono il rischio di avviare accidentalmente l'elettrostrumento.
- 

Conservare gli elettrostrumenti inutilizzati fuori dalla portata dei bambini e non consentirne l'uso persone che non hanno familiarità con l'utensile elettrico o con le presenti istruzioni per l'uso elettrostrumento. Gli elettrostrumenti sono pericolosi nelle mani di utenti non addestrati.

- Manuteneere gli elettrostrumenti. Controllare eventuali disallineamenti o inceppamenti delle parti mobili, rotture di parti e qualsiasi altra condizione che possa influire sull'elettrostrumento.

funzionamento. Se danneggiato, far riparare l'utensile elettrico prima dell'uso. Molti gli incidenti sono causati da utensili elettrici mal mantenuti.

- Mantenere gli

utensili da taglio affilati e puliti. Utensili da taglio mantenuti correttamente con bordi taglienti affilati hanno meno probabilità di incepparsi e sono più facili da controllare.

- 

Utilizzare l'utensile elettrico, gli accessori e le punte dell'utensile ecc., in conformità con queste istruzioni, tenendo conto delle condizioni di lavoro e del lavoro da eseguire. Utilizzo dell'utensile elettrico per operazioni diverse da quelle intenzionale potrebbe dare luogo a una situazione pericolosa.

## 5.SERVIZIO

- Far riparare l'elettrostrumento da un tecnico qualificato utilizzando solo parti di ricambio identiche. Ciò garantirà la sicurezza dell'alimentazione

lo strumento è sottoposto a manutenzione.

## ISTRUZIONI DI SICUREZZA PER LEVIGATRICE

### 1. ISTRUZIONI DI SICUREZZA PER TUTTE LE OPERAZIONI

a) Questo elettrostrumento è destinato a funzionare come levigatrice. Leggere tutte le norme di sicurezza avvertenze, istruzioni, illustrazioni e specifiche fornite con questo elettrostrumento. La mancata osservanza di tutte le istruzioni elencate di seguito può comportare

sosse elettriche, incendi e/o lesioni gravi. b) Questo elettroutensile non è consigliato per la molatura, la spazzolatura dei fili o il taglio operazioni di spegnimento. Le operazioni per le quali l'utensile elettrico non è stato progettato possono creare un pericolo e causare lesioni personali. c) Non lasciare che alcuna parte allentata del cofano o dei suoi fili di fissaggio girare liberamente. Riporre o tagliare eventuali fili di fissaggio allentati. Allentare e le corde degli accessori rotanti possono impigliarsi nelle dita o impigliarsi nel lavoro pezzo.

d) Non utilizzare accessori che non siano stati specificatamente progettati e consigliato dal produttore dell'utensile. Solo perché l'accessorio può essere collegato al vostro elettroutensile, non garantisce un funzionamento sicuro. e) La velocità nominale dell'accessorio deve essere almeno uguale alla velocità massima indicata sull'utensile elettrico. Accessori che funzionano più velocemente di la loro velocità nominale può andare in pezzi.

f) Il diametro esterno e lo spessore del tuo accessorio devono essere compresi tra la capacità nominale del tuo elettroutensile. Gli accessori di dimensioni non corrette non possono essere adeguatamente protetti o controllati. g) Le dimensioni dell'albero delle ruote, delle flange, dei cuscinetti di supporto o di qualsiasi altro accessorio deve adattarsi correttamente al mandrino dell'utensile elettrico. Accessori con albero i fori che non corrispondono all'hardware di montaggio dell'utensile elettrico funzioneranno fuori equilibrio, vibrano eccessivamente e possono causare la perdita di controllo. h) Non utilizzare un accessorio danneggiato. Prima di ogni utilizzo ispezionare il accessori come mole abrasive per scheggiature e crepe, platorelli di supporto per crepe, strappi o usura eccessiva, spazzole metalliche per fili allentati o screpolati. Se il l'elettroutensile o l'accessorio è caduto, ispezionare per eventuali danni o installare un accessorio non danneggiato. Dopo aver ispezionato e installato un accessorio, posizionatevi e posizionate gli astanti lontano dal piano di rotazione accessorio e far funzionare l'elettroutensile alla massima velocità a vuoto per un minuto. Gli accessori danneggiati normalmente si romperanno durante questo test tempo.

i) Indossare dispositivi di protezione individuale. A seconda dell'applicazione, utilizzare visiera, occhiali di sicurezza o occhiali di sicurezza. Se appropriato, indossare maschera antipolvere, protezione acustica protezioni, guanti e grembiule da officina in grado di fermare piccoli oggetti abrasivi o

frammenti del pezzo in lavorazione. La protezione degli occhi deve essere in grado di arrestare detriti volanti generati da varie operazioni. La maschera antipolvere o respiratore deve essere in grado di filtrare le particelle generate dalle vostre operazioni.

L'esposizione prolungata a rumori ad alta intensità può causare la perdita dell'udito.

j) Mantenere gli astanti a distanza di sicurezza dall'area di lavoro. Chiunque entri nell'area di lavoro devono essere indossati dispositivi di protezione individuale. Frammenti di pezzo in lavorazione o di un accessorio rotto potrebbe volare via e causare lesioni oltre l'area immediata di funzionamento. k)

Posizionare il cavo lontano dall'accessorio rotante. Se si perde il controllo, il cavo potrebbe essere tagliato o impigliato e la tua mano o il tuo braccio potrebbero essere tirati dentro accessorio rotante.

l) Non appoggiare mai l'elettrotensile finché l'accessorio non è giunto a fine corsa. arresto completo. L'accessorio rotante potrebbe afferrare la superficie e tirare il fuori dal tuo controllo. m) Non far

funzionare l'utensile elettrico mentre lo porti al tuo fianco. Accidentale

il contatto con l'accessorio rotante potrebbe impigliarsi nei vestiti, tirandoli accessorio nel tuo corpo. n) Pulisci

regolarmente le prese d'aria dell'utensile elettrico. La ventola del motore aspirerà l' polvere all'interno dell'alloggiamento ed accumulo eccessivo di polvere metallica può causare pericoli elettrici. o) Non

utilizzare l'utensile elettrico in prossimità di materiali infiammabili. Potrebbero formarsi scintille. incendiare questi materiali. p)

Non utilizzare accessori che richiedono refrigeranti liquidi. Utilizzare acqua o altri i refrigeranti liquidi possono provocare folgorazioni o scosse elettriche.

## **2. KICK BACK E AVVERTENZE CORRELATE**

Il contraccolpo è una reazione improvvisa a una ruota rotante, un platorello, una spazzola o qualsiasi altro accessorio pizzicato o incastrato. Le cause di pizzicamento o incastro rapido arresto dell'accessorio rotante che a sua volta provoca l' utensile elettrico non controllato da forzare nella direzione opposta a quella rotazione dell'accessorio nel punto di legatura.

Ad esempio, se una mola abrasiva rimane impigliata o pizzicata dal pezzo in lavorazione, il bordo della ruota che entra nel punto di schiacciamento può scavare nel superficie del materiale che causa la fuoriuscita o il calcio della ruota.

la ruota può saltare verso o lontano dall'operatore, a seconda dell'

direzione del movimento della ruota nel punto di pizzicamento. Ruote abrasive potrebbe anche rompersi in queste condizioni. Il contraccolpo è il risultato di un utensile elettrico uso improprio e/o procedure o condizioni operative non corrette e possono essere evitato adottando le dovute precauzioni come indicato di seguito. a)

Mantenere una presa salda sull'utensile elettrico e posizionare il corpo e il braccio in modo da consentono di resistere alle forze di contraccolpo. Utilizzare sempre la maniglia ausiliaria, se fornita, per il massimo controllo sul contraccolpo o sulla reazione di coppia durante l'avviamento. l'operatore può controllare le reazioni di coppia o le forze di contraccolpo, se appropriate siano prese le dovute

precauzioni. b) Non mettere mai la mano vicino all'accessorio rotante. L'accessorio potrebbe contraccolpo sulla mano. c) Non

posizionare il corpo nell'area in cui l'utensile elettrico si muoverà se si verifica un contraccolpo. Il contraccolpo spingerà l'utensile nella direzione opposta a il movimento della ruota nel punto di inceppamento. d) Prestare particolare attenzione quando si lavora su angoli, spigoli vivi ecc. Evitare rimbalzando e impigliando l'accessorio. Angoli, spigoli vivi o rimbalzi hanno la tendenza a impigliarsi nell'accessorio rotante e causare la perdita di controllo o tangente.

e) Non montare una lama per intaglio del legno o una lama dentata sulla sega a catena. Tali lame provocano frequenti contraccolpi e perdita di controllo.

## GENERALE

- Utilizzare questo strumento per levigare il legno, rimuovere la vernice e lucidare. • Utilizzare la carta abrasiva e la spugna fornite con questo strumento
- Utilizzare questo strumento solo per la levigatura a secco. • Questo strumento non deve essere utilizzato da persone di età inferiore ai 16 anni
- Scollegare sempre la spina dalla fonte di alimentazione prima di effettuare qualsiasi operazione regolazione o modifica di qualsiasi accessorio
- Non lavorare materiali contenenti amianto (l'amianto è considerato cancerogeno).

## ACCESSORI

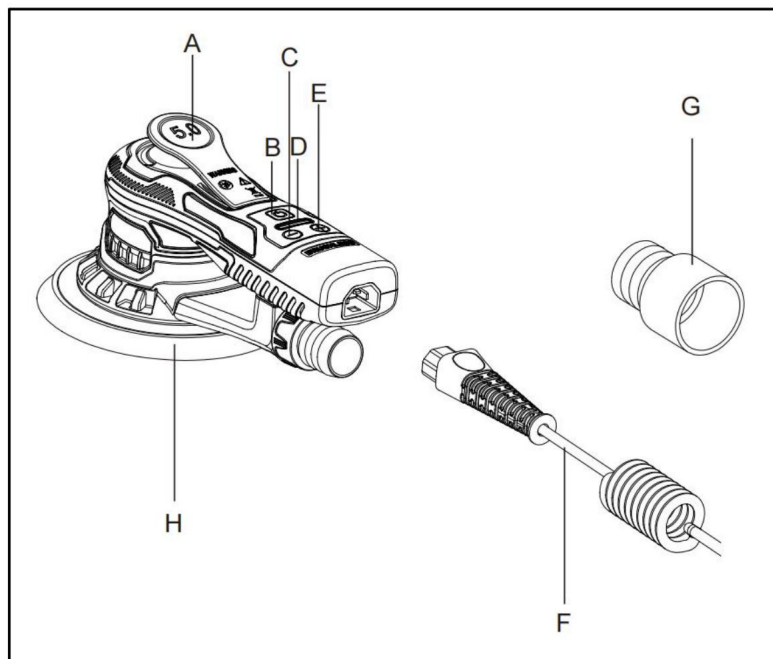
- Utilizzare solo accessori con una velocità consentita che corrisponda almeno a quella massima velocità a vuoto dell'utensile. •

Non utilizzare accessori danneggiati, deformati o vibranti.

## USO ESTERNO

- Quando utilizzato all'esterno, collegare l'utensile tramite un circuito di corrente di guasto (FI) interruttore con una corrente di attivazione di 30 mA massimo e utilizzare solo un prolunga che è destinato all'uso esterno e dotato di presa di collegamento antispruzzo.

## PANORAMICA DEL PRODOTTO



A. Leva

B. Tasto On/Off C. RPM- G.

D. LED

E. RPM- F Cavo di alimentazione

Adattatore di collegamento H. Platorello di supporto

## PARAMETRI DEL PRODOTTO

MODELLO	Regione	Voltaggio	Tipo di spina di alimentazione
R7313	Nord America	AC120V 60Hz 350W	americano TAPPO
	Europa	AC220-240V 50 Hz	350W europeo TAPPO
	Australia	AC220-240V 50 Hz	SPINA AUSTRALIANA 350W
Velocità a vuoto		4000 - 10000 giri/min	
Diametro yMax		5 pollici (127 mm) / 6 pollici (150 mm)	
Eccentrico		5 millimetri	
Collegare l'adattatore		y28mm	

**Nota: utilizzare la tensione di alimentazione corretta.**

**Attenzione: alcuni modelli hanno platorelli con velcro da 5 pollici che devono essere acquistati separatamente.**

## PRIMA DELL'USO

Prima di utilizzare l'apparecchio per la prima volta, rimuovere eventuali adesivi promozionali e materiali di imballaggio e verificare che il prodotto sia pulito e privo di polvere.

Si prega di smaltire con cura tutti i sacchetti di plastica e di tenerli lontano dalla bambini e animali domestici. Controllare tutti i componenti forniti in base all'elenco in questo manuale.

- Controllare sempre che la tensione di alimentazione sia la stessa della tensione indicato sulla targhetta dell'utensile (utensili con classificazione 230V or 240V può anche essere collegato a un'alimentazione a 220V).

La polvere proveniente da materiali come vernice contenente piombo, alcune specie di legno, minerali e metallo può essere dannosa (contatto o inalazione della polvere può causare reazioni allergiche e/o malattie respiratorie all'operatore o astanti); indossare una maschera antipolvere e lavorare con un dispositivo di aspirazione della polvere quando collegabile.

Alcuni tipi di polvere sono classificati come cancerogeni (come la quercia e polvere di faggio) in particolare in combinazione con additivi per il condizionamento del legno;

indossare una maschera antipolvere e lavorare con un dispositivo di aspirazione della polvere quando collegabile

- Seguire i requisiti nazionali relativi alla polvere per i materiali desiderati con cui lavorare.
- Fissare il pezzo in lavorazione (un pezzo in lavorazione bloccato con dispositivi di serraggio o in una morsa è tenuto più saldamente che a mano).
- Non bloccare l'utensile in una morsa.
- Utilizzare prolunghe completamente srotolate e sicure con una capacità di 10

Amplificatori.

## DOPO L'USO

- Prima di riporre l'utensile, spegnere il motore e assicurarsi che tutti i le parti mobili si sono fermate completamente
- Dopo aver spento l'utensile, non fermare mai la rotazione dell'accessorio con un forza laterale applicata contro di essa.

### Uso corretto dello strumento

Questa levigatrice è progettata per levigare tutti i tipi di materiali, ad esempio metalli, legno, pietra, plastica, ecc. utilizzando abrasivi progettati per questo scopo. Non utilizzare questa levigatrice per qualsiasi scopo diverso da quello specificato senza consultare il produttore o fornitore autorizzato dal produttore

### Postazioni di lavoro

Lo strumento è concepito per essere utilizzato come strumento portatile. È sempre si consiglia di utilizzare lo strumento quando ci si trova su un pavimento solido. può essere in qualsiasi posizione ma prima di tale utilizzo, l'operatore deve essere in una posizione sicura, con una presa e un appoggio saldi e sii consapevole che la levigatrice può sviluppare una reazione di coppia. Vedere la sezione "Istruzioni per l'uso".

## APPLICAZIONE E SOSTITUZIONE DELLA CARTA VETRATA

Posizionare la carta abrasiva al centro del platorello e premere.

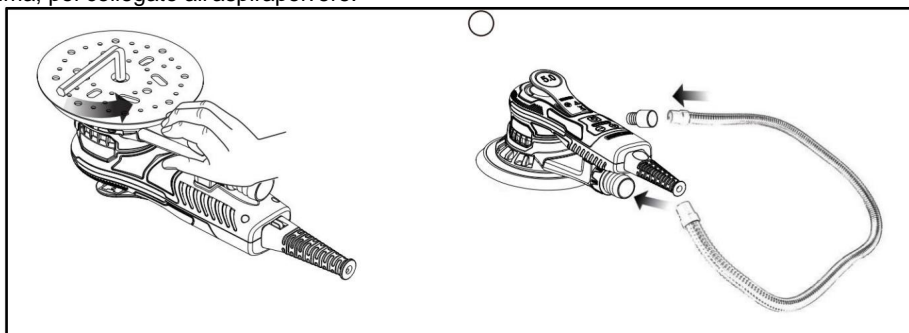
I fori nella carta vetrata devono essere allineati con i fori nella tampone abrasivo. Solo per tampone abrasivo rotondo: effettuare una prova di funzionamento per verificare che il disco abrasivo è bloccato al centro.

## SOSTITUZIONE DEL PLATORELLO DI SUPPORTO

- Capovolgere la levigatrice e posizionarla su una superficie piana e livellata.
- Utilizzare la chiave S6 per svitare la vite al centro del disco antiorario.
- Rimuovere la vecchia pastiglia e sostituirla con quella nuova.
- Serrare la vite in senso orario.

## INSTALLAZIONE TUBI PER VUOTO

- Scegliere un'estremità del tubo del vuoto, collegata all'uscita della polvere dell' macchina.
- Scegli un'altra estremità del tubo del vuoto, collegalo con l'adattatore da 35 mm prima, poi collegato all'aspirapolvere.



## ISTRUZIONI PER L'USO

L'utensile è concepito per essere utilizzato come utensile portatile. L'utensile può essere utilizzato in qualsiasi posizione. Nota! La levigatrice può sviluppare una reazione di coppia quando avviato. Assicurarsi che la levigatrice sia spenta. Selezionare un abrasivo adatto e fissarlo al platorello. Assicurarsi che l'abrasivo sia centrato sul platorello. Accendere la levigatrice premendo il tasto On/Off, La levigatrice Il LED ora è verde.

1. Ora è possibile avviare la levigatrice premendo la leva.
2. La velocità può essere regolata tra 4.000 giri/min e il massimo numero di giri/min tramite regolazione della posizione della leva.

3. Il numero massimo di giri al minuto può essere regolato premendo rpm+ o rpm-, ogni pressione aumenta o riduce la velocità di 1.200 giri/min fino a raggiungere i limiti.

il numero di giri al minuto può essere regolato in un intervallo compreso tra 4.000 e 10.000 giri al minuto.

4. Lo strumento ha due modalità di controllo della velocità. Nella modalità predefinita la velocità può essere regolato linearmente cambiando la posizione della leva. Nell'altro modalità la velocità rimane fissa al massimo rpm impostato quando l'utensile è in esecuzione. Quando i pulsanti rpm+ e rpm- vengono premuti contemporaneamente, lo strumento alterna le due modalità di controllo.

5. Durante la levigatura, posizionare sempre l'utensile sulla superficie di lavoro prima di iniziare l'utensile. Rimuovere sempre l'utensile dalla superficie di lavoro prima di fermarsi. Ciò impedirà la scalfitura della superficie di lavoro dovuta alla velocità eccessiva dell'abrasivo.

6. Una volta terminata la levigatura, spegnere la levigatrice premendo il tasto On/Off. Il LED della levigatrice è ora spento.

## GUIDA ALLA RISOLUZIONE DEI PROBLEMI

Sintomo	Possibile causa	Soluzione
Il LED della levigatrice mostra normale, il rpm-e rpm+ i tasti sono normali, ma l'interruttore non funziona	Sala danneggiata componenti.	Rispedisci indietro la macchina al post-vendita servizio, cambiamento componenti della sala.
Dopo aver collegato, non importa cosa il pulsante viene premuto, la luce LED non si accenderà.	Interruttore danneggiato.	Cambia interruttore componenti.
La luce LED non si accende e la macchina si ferma lavorando.	La tensione di ingresso è inferiore di 170 V CA $\pm 10$ VAC, la macchina entra in bassa tensione protezione.	Cambia a destra tensione di ingresso, sopra 180 V e inferiore 285 V.
I LED1, LED3, LED5 si accendono, le altre luci sono spente.	La tensione di ingresso è più alta di 275VAC $\pm 10$ VAC, la macchina entra in alto protezione dalla tensione.	Cambia a destra tensione di ingresso, sopra 180V e inferiore a 285 V.

Il LED1,LED6 si accendono, altri luci spente.	I tre fili del motore è allentato o rotto.	Rispedisci indietro la macchina al post-vendita servizio di riparazione.
---	--	--

## PULIZIA E CONSERVAZIONE

1. Scollegare il cavo di alimentazione e assicurarsi che il prodotto sia fermo prima della pulizia.
2. Asciugare con un panno asciutto, non immergere in liquidi.
3. Mantenere sempre puliti l'utensile e il cavo (in particolare le fessure di ventilazione).
4. Non tentare di pulire le fessure di ventilazione inserendo oggetti appuntiti attraverso le aperture.

**SUGGERIMENTI:** Per pulire la polvere sulla superficie di il prodotto.

5. Scollegare sempre la macchina prima di riporla.
6. Assicurarsi sempre che la macchina sia pulita, raffreddata e asciugata prima dell'uso corda.
7. La pulizia e la manutenzione da parte dell'utente non devono essere eseguite da bambini senza supervisione.

**Produttore:** Shanghaimuxinmuyeyouxiangongsi

**Indirizzo:** Shuangchenglu 803nong11hao1602A-1609shi, baoshanqu, shanghai 200000 CN.

**Importato in AUS:** SIHAO PTY LTD, 1 ROKEVA STREETEASTWOOD

Nuovo Galles del Sud 2122 Australia

**Importato negli USA:** Sanven Technology Ltd., Suite 250, 9166 Anaheim

Luogo, Rancho Cucamonga, CA 91730

Rappresentante della CE	
-------------------------	--

E-CrossStu GmbH  
Mainzer Landstr.69, 60329 Francoforte sul Meno.

RAPPRESENTANZA DEL REGNO UNITO	
--------------------------------	--

CONSULENZA YH LIMITATA.  
C/O YH Consulting Limited Ufficio 147, Centurion House,  
Via Roma, 101, 00186 Roma, Italia

**VEVOR**®

**TOUGH TOOLS, HALF PRICE**

**Supporto tecnico e certificato di garanzia  
elettronica [www.vevor.com/support](http://www.vevor.com/support)**

# VEVOR<sup>®</sup>

## TOUGH TOOLS, HALF PRICE

Soporte técnico y certificado de garantía electrónica [www.vevor.com/support](http://www.vevor.com/support)

### LIJADORA ORBITAL

MODELO: R7313

Seguimos comprometidos a brindarle herramientas a precios competitivos.

"Ahorre la mitad", "mitad de precio" o cualquier otra expresión similar que utilicemos solo representa una estimación del ahorro que podría obtener al comprar ciertas herramientas con nosotros en comparación con las principales marcas y no necesariamente significa que cubra todas las categorías de herramientas que ofrecemos. Le recordamos que, al realizar un pedido con nosotros, verifique cuidadosamente si realmente está ahorrando la mitad en comparación con las principales marcas.

**VEVOR**<sup>®</sup>  
TOUGH TOOLS, HALF PRICE

LIJADORA ORBITAL

MODELO: R7313



¿NECESITAS AYUDA? ¡CONTÁCTANOS!

¿Tiene preguntas sobre el producto? ¿Necesita asistencia técnica? No dude en ponerse en contacto con

nosotros: Asistencia técnica y certificado de garantía electrónica  
[www.vevor.com/support](http://www.vevor.com/support)

Estas son las instrucciones originales, lea atentamente todas las instrucciones del manual antes de utilizar el producto. VEVOR se reserva una interpretación clara de nuestro manual de usuario. La apariencia del producto estará sujeta al producto que recibió. Perdónenos por no informarle nuevamente si hay actualizaciones de tecnología o software en nuestro producto.

	<p>Advertencia: Para reducir el riesgo de lesiones, el usuario debe leer Lea atentamente el manual de instrucciones.</p>
     	<p>Utilice siempre gafas de seguridad aprobadas por la ANSI cuando trabaje. con herramientas y equipos. Use protección para los ojos. Utilice protección para los oídos. Utilice guantes protectores. Use una mascarilla antipolvo. Utilice calzado protector y antideslizante.</p>
	<p>Compliance es una certificación de seguridad de la CE y el Reino Unido.</p>
	<p>Este producto está sujeto a las disposiciones de la Directiva Europea 2012/19/CE. El símbolo que muestra un contenedor de basura cruzado a través de indica que el producto requiere un contenedor de basura separado recogida en la Unión Europea. Esto se aplica al producto y todos los accesorios marcados con este símbolo. Productos marcados como tales no pueden desecharse con los desechos domésticos normales. residuos, sino que deben llevarse a un punto de recogida para su reciclaje Dispositivos eléctricos y electrónicos.</p>
	<p>Apague el producto y desconéctelo de la fuente de alimentación. Antes del montaje, limpieza, ajustes, mantenimiento y almacenamiento. y transporte.</p>
	<p>Este producto es de clase de protección II, es decir, está equipado con aislamiento mejorado o doble.</p>

## MEDIDAS DE SEGURIDAD IMPORTANTES

Gracias por utilizar este producto. Para asegurarnos de que pueda

Para utilizar la máquina correctamente, lea atentamente estas instrucciones antes de la operación y guárdela en un lugar adecuado para futuras consultas. Asegúrese de leer las precauciones y normas de seguridad de esta página para garantizar su uso seguro.

Este manual describe las advertencias y precauciones de seguridad, el funcionamiento, el mantenimiento y la limpieza. Las advertencias e instrucciones que se analizan en este manual

El manual no puede cubrir todas las posibles condiciones y situaciones que pueden ocurrir.

La precaución y el sentido común no están incluidos en este producto, ya que creemos que los usos cumplan con estos códigos. Si tiene algún problema, llámenos. No intente solucionar los problemas usted mismo, ya que podría causar lesiones o daños a la propiedad.

Lea TODAS las instrucciones antes de utilizar su máquina.

### 1. SEGURIDAD EN EL ÁREA DE TRABAJO

- Mantenga el área de trabajo limpia y bien iluminada. Las áreas desordenadas u oscuras invitan a accidentes.

- No utilice herramientas eléctricas en atmósferas explosivas, como en el caso de la presencia de líquidos, gases o polvos inflamables. Las herramientas eléctricas generan chispas que pueden encender el polvo o los humos.

Mantenga a los niños y a las personas cercanas alejados mientras utiliza una herramienta eléctrica. Las distracciones pueden hacer que pierdas el control.

### 2. SEGURIDAD ELÉCTRICA

- Los enchufes de las herramientas eléctricas deben coincidir con los de la toma de corriente. Nunca modifique el enchufe de ninguna manera.

No utilice ningún enchufe adaptador con toma de tierra.

Herramientas. Los enchufes sin modificar y las tomas de corriente compatibles reducirán el riesgo de descarga eléctrica por choque.

- Evite el contacto corporal con superficies conectadas a tierra, como tuberías, radiadores, estufas y refrigeradores. Existe un mayor riesgo de descarga eléctrica.

descarga eléctrica si su cuerpo está conectado a tierra.

- No

exponga las herramientas eléctricas a la lluvia ni a condiciones húmedas. El agua que entra en una

El uso de herramientas eléctricas aumentará el riesgo de descarga

eléctrica.

- No abuse del cable. Nunca utilice el cable para transportar, tirar o

Desconectar la herramienta eléctrica. Mantener el cable alejado del calor, aceite, bordes afilados o

Piezas móviles. Los cables dañados o enredados aumentan el riesgo de descarga eléctrica. choque.

- Cuando utilice una herramienta eléctrica al aire libre, utilice un cable de extensión adecuado.

Para uso en exteriores. El uso de un cable apto para uso en exteriores reduce el riesgo de descarga eléctrica.

- Si es inevitable utilizar una herramienta eléctrica en un lugar húmedo, utilice una toma de tierra.

Disyuntor de fuga a tierra. El uso de un disyuntor de fuga a tierra reduce la

Riesgo de descarga eléctrica.

### 3. SEGURIDAD PERSONAL

- Manténgase alerta, observe lo que hace y use el sentido común cuando

operar una herramienta eléctrica. No utilice una herramienta eléctrica si está cansado o

bajo los efectos de drogas, alcohol o medicamentos. Un momento de

La falta de atención al utilizar herramientas eléctricas puede provocar lesiones personales graves.

lesiones.

- Utilice equipo de protección personal. Utilice siempre protección para los ojos.

El equipo de protección, como mascarilla antipolvo, calzado de seguridad antideslizante, casco o protección

auditiva, utilizado en condiciones adecuadas, reducirá el riesgo personal.

- Evite el

arranque involuntario. Asegúrese de que el interruptor esté en la posición de apagado.

Antes de conectarlo a la fuente de alimentación y/o al paquete de baterías, levantarlo o

Llevar la herramienta. Llevar herramientas eléctricas con el dedo en el interruptor o

El uso de herramientas eléctricas con el interruptor encendido puede provocar accidentes. • Retire

cualquier llave de ajuste o llave inglesa antes de encender la herramienta eléctrica.

Una llave inglesa o una llave que se deje colocada en una parte giratoria de la herramienta eléctrica puede provocar

en caso de lesiones

personales. • No se estire demasiado. Mantenga el equilibrio y la posición adecuada en todo momento.

permite un mejor control de la herramienta eléctrica en situaciones inesperadas. • Vístase

adecuadamente. No use ropa suelta ni joyas. Mantenga su cabello, ropa y guantes alejados de las piezas

móviles. La ropa suelta, las joyas o los guantes largos

El cabello puede quedar atrapado en las piezas

móviles. • Si se proporcionan dispositivos para la conexión de extracción de polvo y

instalaciones de recolección, asegúrese de que estén conectadas y se utilicen correctamente. Uso de

La recolección de polvo puede reducir los peligros relacionados con el polvo.

### 4. USO Y CUIDADO DE LAS HERRAMIENTAS ELÉCTRICAS

- No fuerce la herramienta eléctrica. Utilice la herramienta eléctrica correcta para su trabajo.

Aplicación. La herramienta eléctrica correcta hará el trabajo mejor y de manera más segura.

velocidad para la cual fue diseñada. • No utilice

la herramienta eléctrica si el interruptor no la enciende y apaga.

La herramienta eléctrica que no se puede controlar con el interruptor es peligrosa y debe

ser reparado. •

Desconecte el enchufe de la fuente de alimentación y/o la batería del

la herramienta eléctrica antes de realizar cualquier ajuste, cambiar accesorios o

almacenamiento de herramientas eléctricas. Estas medidas de seguridad preventivas reducen el riesgo de

poner en marcha la herramienta eléctrica accidentalmente.

- Guarde las herramientas eléctricas que no estén en uso fuera del alcance de los niños y no permita que

personas que no estén familiarizadas con la herramienta eléctrica o con estas instrucciones para operarla

Herramienta eléctrica. Las herramientas eléctricas son peligrosas en manos de usuarios no capacitados. •

Realice el mantenimiento de las herramientas eléctricas. Compruebe si hay piezas móviles desalineadas o atascadas,

piezas rotas o cualquier otra condición que pueda afectar el funcionamiento de la herramienta eléctrica.

Operación. Si la herramienta eléctrica está dañada, repárela antes de usarla.

Los accidentes son causados por herramientas eléctricas mal mantenidas. • Mantenga

las herramientas de corte afiladas y limpias. Las herramientas de corte mantenidas adecuadamente

con bordes cortantes afilados tienen menos probabilidades de atascarse y son más fáciles de controlar. • Utilice

la herramienta eléctrica, los accesorios y las brocas, etc., de acuerdo con

Estas instrucciones, teniendo en cuenta las condiciones de trabajo y el trabajo

a realizar. Utilización de la herramienta eléctrica para operaciones distintas a las

lo previsto podría dar lugar a una situación peligrosa.

## 5. SERVICIO

- Haga que un técnico de reparación calificado repare su herramienta eléctrica utilizando únicamente

Repuestos idénticos. Esto garantizará la seguridad de la energía.

La herramienta se mantiene.

# INSTRUCCIONES DE SEGURIDAD PARA LA LIJADORA

## 1. INSTRUCCIONES DE SEGURIDAD PARA TODAS LAS OPERACIONES

a) Esta herramienta eléctrica está diseñada para funcionar como lijadora. Lea todas las instrucciones de seguridad.

Advertencias, instrucciones, ilustraciones y especificaciones proporcionadas con este

herramienta eléctrica. El incumplimiento de todas las instrucciones que se enumeran a continuación puede provocar

descarga eléctrica, incendio y/o lesiones graves. b) Esta herramienta eléctrica no se recomienda para esmerilar, cepillar con alambre o cortar. fuera de servicio. Las operaciones para las cuales la herramienta eléctrica no fue diseñada pueden crear un peligro y causar lesiones personales. c) No permita que ninguna parte suelta del capó o sus cordones de sujeción giren libremente. Guarda o corta cualquier cuerda de sujeción suelta. Las cuerdas de sujeción giratorias pueden enredarse en los dedos o engancharse en la pieza de trabajo. pieza.

d) No utilice accesorios que no estén específicamente diseñados y recomendado por el fabricante de la herramienta. El hecho de que el accesorio pueda e) La velocidad nominal del accesorio debe ser al menos igual a la velocidad nominal del motor.

Velocidad máxima marcada en la herramienta eléctrica. Accesorios que funcionan más rápido que Su velocidad nominal puede descontrolarse.

f) El diámetro exterior y el grosor de su accesorio deben estar dentro de La capacidad nominal de su herramienta eléctrica. Los accesorios de tamaño incorrecto no pueden

g) El tamaño del eje de las ruedas, bridas, platos de apoyo o cualquier otro accesorio

Debe ajustarse correctamente al husillo de la herramienta eléctrica. Accesorios con mandril Los agujeros que no coincidan con el hardware de montaje de la herramienta eléctrica se ejecutarán desequilibrado, vibrar excesivamente y puede provocar la pérdida de control. h) No utilice un accesorio dañado. Antes de cada uso inspeccione el

accesorios como ruedas abrasivas para astillas y grietas, almohadillas de respaldo para grietas, desgarras o desgaste excesivo, cepillos de alambre para cables sueltos o agrietados. Si el Si se cae la herramienta eléctrica o el accesorio, inspecciónelos para ver si tienen daños o instale un Accesorio sin daños. Después de inspeccionar e instalar un accesorio, colóquese usted y coloque a las personas que se encuentren cerca lejos del plano de rotación.

accesorio y haga funcionar la herramienta eléctrica a la velocidad máxima sin carga durante un minuto. Los accesorios dañados normalmente se romperán durante esta prueba. tiempo.

i) Use equipo de protección personal. Dependiendo de la aplicación, utilice pantalla facial,

gafas de seguridad o anteojos de seguridad. Según corresponda, use máscara contra el polvo, protectores auditivos protectores, guantes y delantal de taller capaces de detener pequeños abrasivos o

fragmentos de la pieza de trabajo. La protección ocular debe ser capaz de detener escombros que se generan en el aire durante diversas operaciones. La máscara antipolvo o el respirador Debe ser capaz de filtrar las partículas generadas por su operación.

La exposición prolongada a ruidos de alta intensidad puede provocar pérdida de audición.

j) Mantenga a los transeúntes a una distancia segura del área de trabajo. Cualquier persona que ingrese

El área de trabajo debe llevar equipo de protección personal. Fragmentos de la

La pieza de trabajo o un accesorio roto pueden salir volando y causar lesiones más allá de el área inmediata de operación. k) Coloque

el cable lejos del accesorio giratorio. Si pierde el control, el

El cable puede cortarse o engancharse y su mano o brazo pueden ser jalados hacia adentro.

Accesorio giratorio.

l) Nunca deje la herramienta eléctrica en el suelo hasta que el accesorio se haya detenido.

parada completa. El accesorio giratorio puede agarrar la superficie y tirar del

m) No utilice la herramienta eléctrica

mientras la lleva a su lado. Accidentalmente

El contacto con el accesorio giratorio podría enganchar su ropa y tirar de ella.

accesorio en su cuerpo. n) Limpie

periódicamente las rejillas de ventilación de la herramienta eléctrica. El ventilador del motor aspirará el aire

Polvo dentro de la carcasa y acumulación excesiva de metal en polvo.

o) No utilice la herramienta eléctrica

cerca de materiales inflamables. Pueden producirse chispas.

encender estos materiales.

p) No utilice accesorios que requieran refrigerantes líquidos. El uso de agua u otros

Los refrigerantes líquidos pueden provocar electrocución o descarga eléctrica.

## 2. RETROCESO Y ADVERTENCIAS RELACIONADAS

El contragolpe es una reacción repentina a una rueda giratoria, un disco de soporte, un cepillo o cualquier otro accesorio que se haya enganchado o pellizcado.

bloqueo rápido del accesorio giratorio que a su vez provoca el

herramienta eléctrica incontrolada que se debe forzar en la dirección opuesta a la rotación del accesorio en el punto de encuadernación.

Por ejemplo, si una rueda abrasiva queda enganchada o pellizcada por la pieza de trabajo,

El borde de la rueda que entra en el punto de pinzamiento puede clavarse en el superficie del material que hace que la rueda se salga o se salga.

La rueda puede saltar hacia el operador o alejarse de él, dependiendo de la

Dirección del movimiento de la rueda en el punto de pinzamiento. Ruedas abrasivas

También puede romperse en estas condiciones. El contragolpe es el resultado de la herramienta eléctrica.

mal uso y/o procedimientos o condiciones de funcionamiento incorrectos y pueden ser

evitarse tomando las precauciones adecuadas como se indica a

continuación. a) Mantenga un agarre firme en la herramienta eléctrica y coloque su cuerpo y brazo

le permiten resistir las fuerzas de contragolpe. Utilice siempre la manija auxiliar, si está provista,

para un control máximo sobre el contragolpe o la reacción de torsión durante el arranque.

El operador puede controlar las reacciones de torsión o las fuerzas de retroceso, si es adecuado.

b) Nunca coloque la mano

cerca del accesorio giratorio. El accesorio puede

contragolpe sobre su mano. c) No

coloque su cuerpo en el área donde se moverá la herramienta eléctrica si

Se produce un contragolpe. El contragolpe impulsará la herramienta en la dirección opuesta a la

d) Tenga especial cuidado al trabajar en esquinas, bordes afilados,

etc. Evite

rebote y enganche del accesorio. Esquinas, bordes afilados o rebotes

tienen tendencia a enganchar el accesorio giratorio y provocar la pérdida de control

o contragolpe.

e) No coloque una hoja de sierra para tallado de madera o una hoja de sierra dentada en la cadena de sierra.

Estas cuchillas generan frecuentes contragolpes y pérdida de control.

## GENERAL

• Utilice esta herramienta para lijar madera, quitar pintura y pulir. • Utilice el papel de lija y la almohadilla de esponja que se suministran con esta herramienta.

• Utilice esta herramienta únicamente para lijar en

seco. • Esta herramienta no debe ser utilizada por personas menores de 16 años.

• Desconecte siempre el enchufe de la fuente de alimentación antes de realizar cualquier operación.

ajuste o cambio de cualquier accesorio

• No trabaje con materiales que contengan amianto (el amianto se considera carcinogénico).

## ACCESORIOS

- Utilice únicamente accesorios con una velocidad permitida que coincida al menos con la velocidad máxima sin carga de la herramienta. •

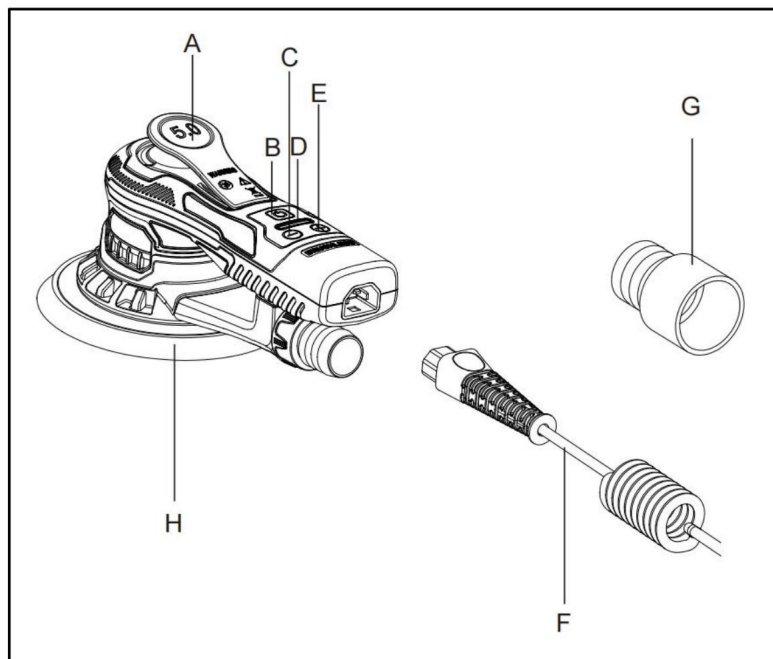
No utilice accesorios dañados, deformados o vibrantes.

## USO EXTERIOR

- Cuando se utilice al aire libre, conecte la herramienta a través de un circuito de corriente de falla (FI) disyuntor con una corriente de activación de 30 mA como máximo, y utilice únicamente un cable de extensión que es

Diseñado para uso en exteriores y equipado con un conector de acoplamiento a prueba de salpicaduras.

## DESCRIPCIÓN GENERAL DEL PRODUCTO



A. Palanca

B. Tecla de encendido/apagado C.

D. LED

E. RPM-F Cable de alimentación

RPM- G. Adaptador de conexión H. Almohadilla de respaldo

## PARÁMETROS DEL PRODUCTO

MODELO	Región	Voltaje	Tipo de enchufe de alimentación
R7313	Norte América	CA 120 V 60 Hz 350 W	Americano ENCHUFAR
	Europa	CA 220-240 V 50 Hz	350 W europeo ENCHUFAR
	Australia	CA 220-240 V 50 Hz	ENCHUFE DE AUSTRALIA DE 350 W
Velocidad sin carga		4000-10000 RPM	
Diámetro $\Phi$ Máx.		5 pulgadas (127 mm) / 6 pulgadas (150 mm)	
Excéntrico		5 mm	
Conectar adaptador		$\Phi$ 28 mm	

Nota: utilice el voltaje de fuente de alimentación correcto.

Atención: Algunos modelos tienen almohadillas de respaldo con gancho y bucle de 5 pulgadas que debe comprarse por separado.

## ANTES DE USAR

Antes de utilizar el aparato por primera vez, retire cualquier etiqueta promocional o materiales de embalaje y comprobar que el producto esté limpio y libre de polvo.

Deseche todas las bolsas de plástico con cuidado y manténgalas alejadas de niños y mascotas. Compruebe todos los componentes suministrados según la lista en Este manual.

- Compruebe siempre que la tensión de alimentación sea la misma que la tensión indicado en la placa de identificación de la herramienta (herramientas con una clasificación de 230 V o 240V también se puede conectar a una fuente de alimentación de 220V).
- El polvo de materiales como pintura que contiene plomo, algunas especies de madera, minerales y metales puede ser dañino (contacto con el polvo o inhalación del mismo). Puede provocar reacciones alérgicas y/o enfermedades respiratorias al operador o transeúntes); use una máscara contra el polvo y trabaje con un dispositivo de extracción de polvo cuando se puede conectar.
- Ciertos tipos de polvo están clasificados como cancerígenos (como el de roble y polvo de haya), especialmente en combinación con aditivos para el acondicionamiento de la madera;

Use una máscara antipolvo y trabaje con un dispositivo de extracción de polvo cuando conectable

- Siga los requisitos nacionales relacionados con el polvo para los materiales que desee

Trabajar con.

- Asegure la pieza de trabajo (una pieza de trabajo sujeta con dispositivos de sujeción o en un tornillo de banco se sujeta con más seguridad que con la mano).
- No sujete la herramienta en un tornillo de banco.
- Utilice cables de extensión completamente desenrollados y seguros con una capacidad de 10 Amperios.

## DESPUÉS DEL USO

- Antes de dejar la herramienta, apague el motor y asegúrese de que todo esté en su sitio.

Las partes móviles se han paralizado por completo

- Después de apagar la herramienta, nunca detenga la rotación del accesorio con un fuerza lateral aplicada contra él.

Uso adecuado de la herramienta

Esta lijadora está diseñada para lijar todo tipo de materiales, es decir, metales, madera, piedra, plásticos, etc., utilizando abrasivos diseñados para este fin. No utilice

Esta lijadora para cualquier otro propósito que el especificado sin consultar al fabricante o el proveedor autorizado del fabricante

Estaciones de trabajo

La herramienta está diseñada para utilizarse como herramienta portátil. Siempre es

Se recomienda utilizar la herramienta estando sobre un suelo sólido.

Puede estar en cualquier posición, pero antes de cualquier uso, el operador debe estar en una posición segura, con un agarre y apoyo firmes y tenga en cuenta que la lijadora

Puede desarrollarse una reacción de torsión. Consulte la sección "Instrucciones de funcionamiento".

## COLOCACIÓN Y CAMBIO DEL PAPEL DE LIJA

Coloque el papel de lija en el centro de la almohadilla de lijado y presione.

Los agujeros del papel de lija deben estar alineados con los agujeros del

Almohadilla de lijado. Solo para almohadillas de lijado redondas: realice una prueba para verificar que

El disco de lijado se sujeta en el centro.

## SUSTITUCIÓN DE LA ALMOHADILLA DE RESPALDO

- Dé la vuelta a la lijadora y colóquela sobre una superficie plana y nivelada.
- Utilice la llave S6 para desatornillar el tornillo en el centro del disco.

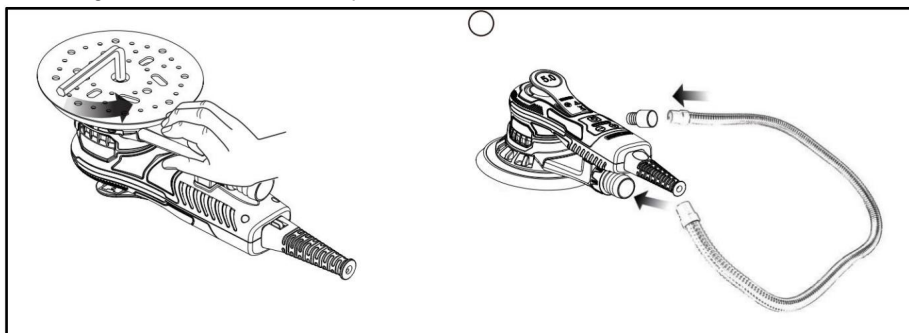
sinistrórsum.

- Retire la almohadilla vieja y cámbiela por la nueva. • Apriete el tornillo en el sentido de las agujas del reloj.

## INSTALACIÓN DE TUBERÍA DE VACÍO

- Elija un extremo del tubo de vacío, conectado a la salida de polvo del máquina.
- Elija otro extremo del tubo de vacío y conéctelo con un adaptador de 35 mm.

Primero, luego lo conectamos con la aspiradora.



## INSTRUCCIONES DE USO

La herramienta está diseñada para usarse como herramienta portátil. La herramienta puede Se puede utilizar en cualquier posición. ¡Nota! La lijadora puede generar una reacción de torsión cuando Asegúrese de que la lijadora esté apagada. Seleccione un abrasivo adecuado.

y fíjelo al plato de soporte. Asegúrese de que el abrasivo esté centrado en el

Almohadilla de respaldo. Encienda la lijadora presionando la tecla de encendido/apagado. La lijadora El LED ahora está verde.

1. Ahora se puede poner en marcha la lijadora presionando la palanca.
2. La velocidad se puede ajustar entre 4.000 rpm y las rpm máximas mediante ajustando la posición de la palanca.

3. Las rpm máximas se pueden ajustar presionando rpm+ o rpm-. Cada vez que presione aumenta o reduce la velocidad en 1.200 rpm hasta alcanzar los límites.

Las rpm se pueden ajustar en el rango de 4.000 a 10.000 rpm.

4. La herramienta tiene dos modos de control de velocidad. En el modo predeterminado, la velocidad se puede ajustar linealmente cambiando la posición de la palanca. En el otro

modo la velocidad permanece fija en las rpm máximas establecidas cuando la herramienta está en funcionamiento. Cuando se presionan simultáneamente los botones rpm+ y rpm-

La herramienta alterna entre los dos modos de control.

5. Al lijar, coloque siempre la herramienta sobre la superficie de trabajo antes de comenzar.

la herramienta. Retire siempre la herramienta de la superficie de trabajo antes de detenerse.

Esto evitará que se produzcan rayaduras en la superficie de trabajo debido al exceso de velocidad de la abrasivo.

6. Una vez finalizado el lijado, apague la lijadora presionando la tecla Encendido/Apagado.

El LED de la lijadora ahora está apagado.

## GUÍA DE SOLUCIÓN DE PROBLEMAS

Síntoma	Posible causa	Solución
El LED de la lijadora muestra normal, el rpm-y rpm+ Las teclas son normales, pero el interruptor no funciona	Sala dañada Componentes.	Devolver la máquina Para postventa servicio, cambio Componentes de la sala.
Después de enchufarlo, no importa qué Se presiona el botón, la luz LED No se encenderá.	Interruptor dañado.	Cambiar interruptor Componentes.
La luz LED no se enciende y la máquina se detiene laboral.	El voltaje de entrada es menor de 170 V CA ±10 V CA, la máquina entra en bajo voltaje protección.	Cambiar a la derecha voltaje de entrada, arriba 180 V y menos 285 V.
Los LED1, LED3, LED5 se encienden, las demás luces se apagan.	El voltaje de entrada es más alto de 275 V CA ± 10 V CA, La máquina entra en alta protección de voltaje.	Cambiar a la derecha voltaje de entrada, por encima de 180 V y por debajo de 285 V.

<p>El LED1, LED6 se encienden, otros Luces apagadas.</p>	<p>Los tres cables de la El motor está suelto o roto.</p>	<p>Devolver la máquina Para postventa servicio de reparación.</p>
--	---	---

## LIMPIEZA Y ALMACENAMIENTO

1. Desenchufe el cable de alimentación y asegúrese de que el producto esté apagado.  
Antes de limpiar.

2. Limpiar con una toalla seca, no sumergir en líquido.

3. Mantenga siempre limpias la herramienta y el cable (especialmente las ranuras de ventilación).

4. No intente limpiar las ranuras de ventilación insertando objetos puntiagudos.

A través de aberturas.

CONSEJOS: Se puede utilizar aire comprimido para limpiar el polvo de la superficie de  
El producto.

5. Desenchufe siempre la máquina antes de guardarla.

6. Asegúrese siempre de que la máquina esté limpia, enfriada y seca antes de...  
cadena.

7. La limpieza y el mantenimiento por parte del usuario no deberán ser realizados por niños.  
sin supervisión.

Fabricante: Shanghaimuxinmuyeyouxiangongsi

Dirección: Shuangchenglu 803nong11hao1602A-1609shi, baoshanqu, shanghai 200000 CN.

Importado a Australia: SIHAO PTY LTD, 1 ROKEVA STREETEASTWOOD

Nueva Gales del Sur 2122 Australia

Importado a EE. UU.: Sanven Technology Ltd., Suite 250, 9166 Anaheim

Lugar, Rancho Cucamonga, CA 91730

<p>REPRESENTANTE CE</p>	
-------------------------	--

E-CrossStu GmbH

Mainzer Landstr.69, 60329 Fráncfort del Meno.

<p>REPRESENTANTE DEL REINO UNIDO</p>	
--------------------------------------	--

YH CONSULTING LIMITADA.

C/O YH Consulting Limited Oficina 147, Centurion House,  
Carretera de Londres, Staines-upon-Thames, Surrey, TW18 4AX

**VEVOR**®

**TOUGH TOOLS, HALF PRICE**

Soporte técnico y certificado de garantía  
electrónica [www.vevor.com/support](http://www.vevor.com/support)

# VEVOR<sup>®</sup>

## TOUGH TOOLS, HALF PRICE

Wsparcie techniczne i certyfikat gwarancji elektronicznej [www.vevor.com/support](http://www.vevor.com/support)

### SZLIFIERKA ORBITALNA

MODEL: R7313

Nadal staramy się oferować Państwu narzędzia w konkurencyjnych cenach.

„Oszczędź połowę”, „Połowa ceny” lub inne podobne wyrażenia używane przez nas stanowią jedynie szacunkowe oszczędności, jakie możesz uzyskać, kupując u nas określone narzędzia w porównaniu z głównymi markami i niekoniecznie oznaczają one objęcie wszystkich kategorii narzędzi oferowanych przez nas. Uprzejmie przypominamy, aby dokładnie sprawdzić, czy składając u nas zamówienie faktycznie oszczędzasz połowę w porównaniu z głównymi markami.

**VEVOR**<sup>®</sup>  
TOUGH TOOLS, HALF PRICE

SZLIFIERKA ORBITALNA

MODEL: R7313














POTRZEBUJESZ POMOCY? SKONTAKTUJ SIĘ Z NAMI!

Masz pytania dotyczące produktu? Potrzebujesz wsparcia technicznego? Skontaktuj się z nami: Wsparcie

techniczne i certyfikat E-Gwarancji [www.vevor.com/support](http://www.vevor.com/support)

To jest oryginalna instrukcja, przed użyciem należy uważnie przeczytać wszystkie instrukcje. VEVOR zastrzega sobie jasną interpretację naszej instrukcji obsługi. Wygląd produktu będzie zależał od produktu, który otrzymałeś. Prosimy o wybaczenie, że nie poinformujemy Cię ponownie, jeśli w naszym produkcie pojawią się jakiegokolwiek aktualizacje technologiczne lub oprogramowania.

	<p>Ostrzeżenie – aby zmniejszyć ryzyko obrażeń, użytkownik musi przeczytać uważnie przeczytaj instrukcję obsługi.</p>
    	<p>Podczas pracy należy zawsze nosić okulary ochronne zatwierdzone przez ANSI. z narzęz dżiami i sprzętem.</p> <p>Stosuj ochronę oczu. Noś ochronniki słuchu. Założ rękawice ochronne. Noś maskę przeciwpyłową. Noś obuwie ochronne, antypoślizgowe.</p>
 	<p>Compliance to certyfikat bezpieczeństwa wydany przez WE i Wielką Brytanię .</p>
	<p>Niniejszy produkt podlega postanowieniom Dyrektywy Europejskiej 2012/19/WE. Symbol przedstawiający przekreślony kosz na śmieci przez wskazuje, że produkt wymaga oddzielnego składowania zbiórka w Unii Europejskiej. Dotyczy produktu oraz wszystkie akcesoria oznaczone tym symbolem. Produkty oznaczone jako takie nie mogą być wyrzucane razem ze zwykłymi odpadami domowymi odpady, ale muszą zostać dostarczone do punktu zbiórki w celu recyklingu urządzenia elektryczne i elektroniczne.</p>
	<p>Wyłącz produkt i odłącz go od zasilania. przed montażem, czyszczeniem, regulacjami, konserwacją, przechowywaniem i transport.</p>
	<p>Ten produkt jest klasy ochrony II. Oznacza to, że jest wyposażony z ulepszoną lub podwójną izolacją.</p>

## WAŻNE ZABEZPIECZENIA

Dziękujemy za korzystanie z tego produktu. Aby mieć pewność, że możesz

aby prawidłowo obsługiwać maszynę, przed jej użyciem należy uważnie przeczytać niniejszą instrukcję eksploatacji i zachowaj ją prawidłowo do wykorzystania w przyszłości. Upewnij się, że przeczytałeś

Aby zapewnić bezpieczne korzystanie z serwisu, zapoznaj się ze środkami ostrożności i zasadami bezpieczeństwa przedstawionymi na tej stronie.

W niniejszej instrukcji przedstawiono ostrzeżenia i środki ostrożności dotyczące bezpieczeństwa, obsługi, konserwacji i czyszczenia. Ostrzeżenia i instrukcje omówione w niniejszej instrukcji

Instrukcja nie jest w stanie objąć wszystkich możliwych warunków i sytuacji, jakie mogą wystąpić.

Produkt ten nie jest produktem, który cechuje ostrożność i zdrowy rozsądek, ponieważ uważamy, że

że użytkownicy będą przestrzegać tych kodów. Jeśli masz jakiegokolwiek problemy, zadzwoń do nas. Nie próbuj

naprawiać problemów samodzielnie, ponieważ spowoduje to obrażenia

lub uszkodzenia mienia.

Przed użyciem urządzenia należy przeczytać WSZYSTKIE instrukcje.

### 1. BEZPIECZEŃSTWO W MIEJSCU PRACY

- Utrzymuj miejsce pracy w czystości i dobrym oświetleniu. Zagrażone lub ciemne obszary zachęcają do wypadki.

- Nie należy używać elektronarzędzi w atmosferach wybuchowych, np.

obecność łatwopalnych cieczy, gazów lub pyłów. Narzędzia elektryczne wytwarzają iskry

które mogą spowodować zapłon pyłu lub oparów. •

Podczas obsługi elektronarzędzia należy trzymać dzieci i osoby postronne z dala.

Rozproszenie uwagi może spowodować utratę kontroli.

### 2. BEZPIECZEŃSTWO ELEKTRYCZNE

- Wtyczki elektronarzędzi muszą pasować do gniazdka. Nigdy nie modyfikuj wtyczki w żaden sposób.

Nie należy używać żadnych adapterów z uziemionym wtykiem zasilającym.

narzędzia. Niezmodyfikowane wtyczki i dopasowane gniazda zmniejszają ryzyko porażenia prądem.

zaszkokować.

- Unikaj kontaktu ciała z uziemionymi lub uziemionymi powierzchniami, takimi jak rury, grzejniki, kuchenki i

lodówki. Istnieje zwiększone ryzyko porażenia prądem.

porażenia prądem, jeśli twoje ciało jest uziemione lub uziemione. •

Nie wystawiaj elektronarzędzi na działanie deszczu lub wilgoci. Woda dostająca się do

elektronarzędzi zwiększa ryzyko porażenia prądem. • Nie nadużywaj

przewodu. Nigdy nie używaj przewodu do przenoszenia, ciągnięcia, ciągnięcia, ciągnięcia lub

odłączanie elektronarzędzia. Trzymaj przewód z dala od ciepła, oleju, ostrych krawędzi lub

ruchome części. Uszkodzone lub splątane przewody zwiększają ryzyko porażenia prądem zaszokować.

- Podczas używania elektronarzędzia na zewnątrz należy używać przedłużacza odpowiedniego do użytku na zewnątrz. Użycie przewodu nadającego się do użytku na zewnątrz zmniejsza ryzyko porażenia prądem.

- Jeżeli nie można uniknąć używania elektronarzędzia w wilgotnym miejscu, należy użyć uziemienia. wyłącznik różnicowoprądowy. Zastosowanie wyłącznika różnicowoprądowego zmniejsza ryzyko porażenia prądem.

### 3. BEZPIECZEŃSTWO OSOBISTE

- Zachowaj czujność, zwracaj uwagę na to, co robisz i kieruj się zdrowym rozsądkiem, obsługi elektronarzędzia. Nie używaj elektronarzędzia, gdy jesteś zmęczony lub pod wpływem narkotyków, alkoholu lub leków. Chwilna nieuwaga podczas obsługi elektronarzędzia może skutkować poważnymi obrażeniami ciała

obrażenia. • Stosować środki ochrony osobistej. Zawsze nosić okulary ochronne.

Środki ochrony osobistej, takie jak maska przeciwpyłowa, antypoślizgowe obuwie robocze, kask ochronny lub ochrona słuchu stosowane w odpowiednich warunkach, zmniejszają ryzyko obrażeń ciała.

obrażeń. •

Zapobiegaj przypadkowemu uruchomieniu. Upewnij się, że przełącznik jest w pozycji wyłączonej przed podłączeniem do źródła zasilania i/lub akumulatora, podniesieniem lub

noszenie narzędzia. Noszenie elektronarzędzia palcem na przełączniku lub

Podłączanie elektronarzędzia z włączonym przełącznikiem może być przyczyną wypadków. • Przed włączeniem elektronarzędzia należy usunąć klucz regulacyjny lub klucz francuski. A

pozostawienie klucza lub kluczyka przymocowanego do obracającej się części elektronarzędzia może spowodować w przypadku obrażeń ciała.

- Nie wychylaj się za bardzo. Zawsze utrzymuj równowagę i odpowiednie oparcie.

umożliwia lepszą kontrolę elektronarzędzia w nieoczekiwanych sytuacjach. • Ubierz się odpowiednio.

Nie noś luźnej odzieży ani biżuterii. Trzymaj włosy, odzież i ręce daleko od ruchomych części. Luźna odzież, biżuteria lub długie

włosy mogą zostać wciągnięte przez ruchome części.

- Jeżeli przewidziano urządzenia do podłączenia odsysania pyłu i

obiektów zbiorczych, upewnij się, że są one podłączone i prawidłowo używane. Korzystanie z zbierania pyłu może ograniczyć zagrożenia związane z pyłem.

### 4. UŻYTKOWANIE I KONSERWACJA ELEKTRONARZĘDZI

- Nie używaj elektronarzędzia na siłę. Używaj właściwego elektronarzędzia dla swojego zastosowania. Prawidłowe elektronarzędzie wykona pracę lepiej i bezpieczniej szybkości, dla której zostało zaprojektowane.
- Nie używaj elektronarzędzia, jeśli przełącznik nie włącza i nie wyłącza go. Wszelkie elektronarzędzie, którego nie można kontrolować za pomocą przełącznika, jest niebezpieczne i musi zostać naprawione.
- Odłącz wtyczkę od źródła zasilania i/lub akumulator od przed wykonaniem jakichkolwiek regulacji, wymianą akcesoriów lub przechowywaniem elektronarzędzia. Takie środki zapobiegawcze zmniejszają ryzyko przypadkowego uruchomienia elektronarzędzia.
- Przechowuj nieużywane elektronarzędzia w miejscu niedostępnym dla dzieci i nie pozwalaj im osobom niezaznajomionym z elektronarzędziem lub niniejszą instrukcją obsługi elektronarzędzia. Elektronarzędzia są niebezpieczne w rękach nieprzeszkolonych użytkowników.
- Konserwacja elektronarzędzia. Sprawdzanie, czy ruchome części nie są źle ustawione lub zablokowane, czy nie ma pęknięć części i innych warunków, które mogą mieć wpływ na elektronarzędzie. działanie. W przypadku uszkodzenia, przed użyciem należy oddać elektronarzędzie do naprawy. Wiele wypadki są spowodowane przez źle konserwowane elektronarzędzia.
- Utrzymuj narzędzia tnące ostre i czyste. Prawidłowo konserwowane narzędzia tnące z ostrymi krawędziami tnącymi są mniej podatne na zakleszczanie i łatwiejsze do kontrolowania.
- Używaj elektronarzędzia, akcesoriów i końcówek narzędziowych itp. zgodnie z niniejszej instrukcji, biorąc pod uwagę warunki pracy i zakres prac do wykonania. Użycie elektronarzędzia do operacji innych niż te, zamierzone działanie może spowodować niebezpieczną sytuację.

## 5. USŁUGA

- Oddawaj elektronarzędzie do serwisu wyłącznie przez wykwalifikowanego pracownika, używając wyłącznie identyczne części zamienne. Zapewni to bezpieczeństwo zasilania narzędzia jest konserwowane.

## INSTRUKCJE BEZPIECZEŃSTWA DLA SZLIFIERKI

### 1. INSTRUKCJE BEZPIECZEŃSTWA DLA WSZYSTKICH OPERACJI

- a) To elektronarzędzie jest przeznaczone do pracy jako szlifierka. Przeczytaj wszystkie informacje dotyczące bezpieczeństwa ostrzeżenia, instrukcje, ilustracje i specyfikacje dołączone do tego dokumentu elektronarzędzia. Nieprzestrzeganie wszystkich poniższych instrukcji może skutkować

porażenie prądem, pożar i/lub poważne obrażenia. b) Nie zaleca się używania tego elektronarzędzia do szlifowania, szczotkowania lub cięcia operacji wyłączonych. Operacje, do których elektronarzędzie nie zostało zaprojektowane, mogą stwarzać zagrożenie i powodować obrażenia ciała. c) Nie dopuścić do tego, aby jakakolwiek luźna część ścieżki maski lub jej sznurki mocujące się do niej obracać się swobodnie. Schować lub przyciąć wszelkie luźne sznurki mocujące. Luźne i wirujące sznurki mocujące mogą zaplątać twoje palce lub zaczepić się o pracę szt. d)

Nie należy używać akcesoriów, które nie zostały specjalnie zaprojektowane i zalecane przez producenta narzędzia. Tylko dlatego, że akcesorium może być przymocowana do elektronarzędzia, nie gwarantuje to bezpiecznej pracy. e) Znamionowa prędkość obrotowa akcesorium musi być co najmniej równa maksymalnej prędkości podanej na elektronarzędziu. Akcesoria pracujące szybciej niż ich znamionowa prędkość może się rozpaść.

f) Średnica zewnętrzna trzyna i grubość akcesorium muszą mieścić się w granicach mocy znamionowej elektronarzędzia. Nieprawidłowo dobrane akcesoria nie mogą być odpowiednio osłonięte lub kontrolowane. g)

Rozmiar trzpienia kół, kołnierzy, podkładek lub innych akcesoriów musi być prawidłowo dopasowany do wrzeciona elektronarzędzia. Akcesoria z trzpieniem otwory, które nie pasują do osprzętu tu montażowego elektronarzędzia, będą się przebijać niezrównoważone, nadmiernie wibrować i może spowodować utratę kontroli. h) Nie używać uszkodzonego akcesorium. Przed każdym użyciem sprawdź akcesoria takie jak tarcze ściernie do usuwania odprysków i piasek, podkładki do piaskownicy, rozdarcia lub nadmierne zużycie, szczotki druciane do luźnych lub piasek tych drutów. Jeśli elektronarzędzie lub akcesorium upadnie, sprawdź, czy nie ma uszkodzeń lub zamontuj nieuszkodzone akcesorium. Po sprawdzeniu i zamontowaniu akcesorium należy ustawić się i osoby postronne z dala od płaszczyzny obracającego się urządzenia. akcesorium i uruchom elektronarzędzie z maksymalną prędkością bez obciążenia przez jeden minuta. Uszkodzone akcesoria zazwyczaj rozpadają się podczas tego testu czas.

i) Stosować środki ochrony osobistej. W zależności od zastosowania należy stosować: osłonę twarzy,

okulary ochronne lub gogle ochronne. W razie potrzeby należy nosić maskę przeciwpyłową, okulary ochronne ochraniacze, rękawice i fartuchy warsztatowe, które mogą zatrzymać małe materiały ściernie lub

fragmenty obrabianego przedmiotu. Ochrona oczu musi być w stanie zatrzymać latające odłamki generowane przez różne operacje. Maski przeciwpyłowa lub respirator musi być zdolny do filtrowania cząstek wytwarzanych w trakcie Twojej działalności.

Długotrwałe narażenie na hałas o dużym natężeniu może spowodować utratę słuchu.

j) Utrzymuj osoby postronne w bezpiecznej odległości od miejsca pracy. Każda osoba wchodząca w miejsce pracy należy nosić środki ochrony osobistej. Fragmenty

obrabanego przedmiotu lub uszkodzone akcesorium może odlecieć i spowodować obrażenia wykraczające poza bezpośrednim obszarze działania. k)

Umieść przewód z dala od wirującego akcesorium. W przypadku utraty kontroli, przewód może zostać przecięty lub zaplątany, a twoja ręka lub ramię może zostać wciągnięte do akcesorium wirujące.

l) Nigdy nie odkładaj elektronarzędzia, dopóki element osprzętu nie osiągnie odpowiedniej temperatury. całkowite zatrzymanie. Wirujący element może chwycić powierzchnię i pociągnąć elektronarzędzie poza twoją kontrolą.

m) Nie uruchamiaj elektronarzędzia, trzymając je przy sobie. Przypadkowe kontakt z wirującym akcesorium może spowodować zaczepienie ubrania i pociągnięcie cię akcesorium do ciała. n) Regularnie

czyszczyć otwory wentylacyjne elektronarzędzia. Wentylator silnika będzie zasysał kurz wewnątrz obudowy i nadmierne gromadzenie się sproszkowanego metalu może powodować zagrożenia

elektryczne. o) Nie używaj elektronarzędzia w pobliżu materiałów łatwopalnych. Mogą powstać iskry. zapalić te materiały. p) Nie

używać akcesoriów wymagających płynnych środków chłodzących. Używanie wody lub innych Płyny chłodzące mogą spowodować porażenie prądem lub wstrząs.

## 2. KICK BACK I POWIĄZANE OSTRZEŻENIA

Odrzut to nagła reakcja na zakleszczenie lub zaczepienie obracającego się koła, podkładki, szczotki lub innego akcesorium. Zakleszczenie lub zaczepienie powoduje: szybkie zatrzymanie się obracającego się osprzętu, co z kolei powoduje niekontrolowane wciśnięcie cię elektronarzędzia w kierunku przeciwnym do obrót akcesorium w miejscu wiązania.

Na przykład, jeżeli tarcza ścierna zostanie zaczepiona lub zaciśnięta przez obrabiany przedmiot, krawędź koła wchodząca w punkt zacisku może wbić się w powierzchnia materiału powodująca wysunięcie cię lub wyrzucenie koła. koło może podskoczyć w kierunku operatora lub od niego, w zależności od

kierunek ruchu koła w punkcie zaciskania. Koła ściernie może również pęknąć w tych warunkach. Odrzut jest wynikiem działania elektronarzędzia niewłaściwego użycia i/lub nieprawidłowych procedur lub warunków operacyjnych i może być można tego uniknąć, podejmując odpowiednie środki ostrożności, jak podano poniżej. a) Trzymaj mocno elektronarzędzie i ustaw ciało i ramię tak, aby pozwalają na przeciwstawienie się siłom odrzutu. Zawsze używaj uchwytu pomocniczego, jeśli jest dostępny, dla maksymalnej kontroli nad odrzutem lub reakcją momentu obrotowego podczas rozruchu. operator może kontrolować reakcje momentu obrotowego lub siły odrzutu, jeśli jest to właściwe środki ostrożności. b) Nigdy nie umieszczaj ręki w pobliżu obracającego się akcesorium. Akcesorium może odrzucić nad dłoń. c) Nie ustawiaj ciała w miejscu, w którym elektronarzędzie może się poruszać, jeśli nastąpi odrzut. Odrzut spowoduje, że narzędzie zostanie odrzucone w kierunku przeciwnym do ruchu koła w miejscu zaczepienia. d) Należy zachować szczególną ostrożność podczas pracy na narożnikach, ostrych krawędziach itp. Unikaj odbijanie i zaczepianie akcesorium. Narożniki, ostre krawędzie lub odbijanie mają tendencję do zaczepiania obracającego się osprzętu i powodowania utraty kontroli lub łopówki. e) Nie mocuj łańcucha tnącego do drewna ani brzeszczotu zębatego. Takie ostrza często powodują odrzut i utratę kontroli.

## OGÓLNY

- Użyj tego narzędzia do szlifowania drewna, usuwania farby i polerowania. • Użyj papieru ściernego i gąbki dołączonej do tego narzędzia.
- Używaj tego narzędzia wyłącznie do szlifowania na sucho. • Narzędzie tego nie powinny używać osoby poniżej 16 roku życia.
- Zawsze odłączaj wtyczkę od źródła zasilania przed wykonaniem jakichkolwiek czynności. regulacja lub zmiana jakichkolwiek akcesoriów
- Nie należy pracować z materiałami zawierającymi azbest (azbest jest uważany za rakotwórcze).

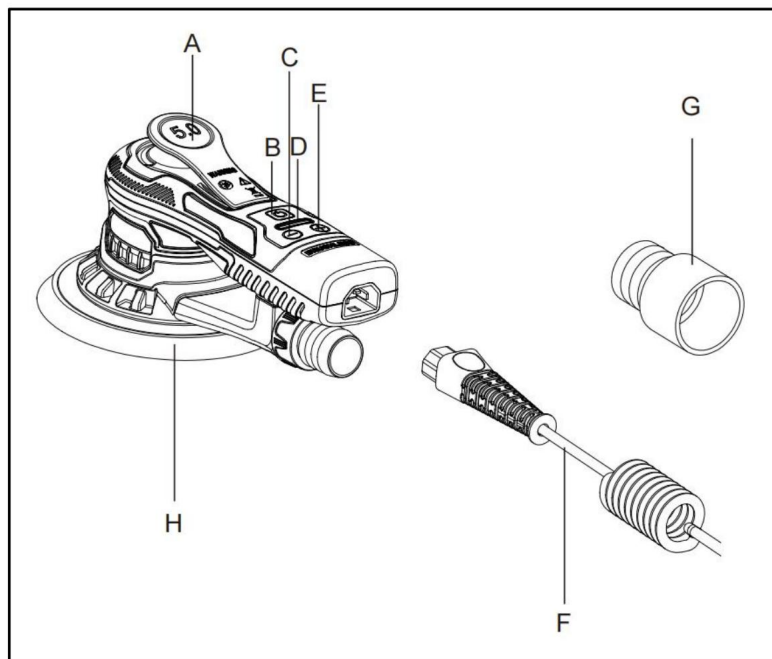
## AKCESORIA

- Używaj wyłącznie akcesoriów, których dopuszczalna prędkość jest co najmniej taka sama jak najwyższa prędkość bez obciążenia narzędzia.
- Nie należy używać uszkodzonych, zdeformowanych lub wibrujących akcesoriów.

## UŻYTKOWANIE NA ZEWNĄTRZ

- W przypadku stosowania na zewnątrz należy podłączyć narzędzie za pomocą obwodu prądu zwarciowego (FI) wyłącznika o maksymalnym prądzie wyzwalającym 30 mA i używać wyłącznie przedłużacza, który jest przeznaczony do stosowania na zewnątrz i wyposażony w bryzgoszczelne gniazdo przyłączeniowe.

## PRZEGLĄD PRODUKTU



A. Dźwignia

B. Przycisk włączania/wyłączania C.

D. Dioda LED

E. RPM-F Przewód zasilający

RPM- G. Podłącz adapter H. Podkładka oporowa

## PARAMETRY PRODUKTU

MODEL	Region	Woltaż	Typ wtyczki	zasilającej
R7313	Północ Ameryka	Prąd zmienny 120 V 60 Hz	350 W	amerykański WTYCZKA
	Europa	Prąd zmienny 220-240 V 50Hz	350 W	europejski WTYCZKA
	Australia	Prąd zmienny 220-240 V 50Hz	WTYCZKA	AUSTRALIJSKA 350W
Prędkość bez obciążenia		4000 - 10000 obr./min.		
Średnica ΦMax		5 cali (127 mm) / 6 cali (150 mm)		
Ekscentryczny		5mm		
Podłącz adapter		Φ28mm		

Uwaga: Proszę używać źródła zasilania o właściwym napięciu.

Uwaga: Niektóre modele mają 5-calowe podkładki z rzepem, należy zakupić osobno.

## PRZED UŻYCIEM

Przed pierwszym użyciem urządzenia należy zdjąć wszelkie naklejki promocyjne i materiały opakowaniowe i sprawdzić, czy produkt jest czysty i wolny od kurzu.

Prosimy o ostrożną utylizację wszystkich plastikowych toreb i przechowywanie ich w miejscu niedostępnym dla dzieci, dzieci i zwierząt domowych. Sprawdź wszystkie dostarczone komponenty zgodnie z listą w tej instrukcji.

- Zawsze sprawdzaj, czy napięcie zasilania jest takie samo, jak napięcie podane na tabliczce znamionowej narzędzia (narzędzie o napięciu znamionowym 230V lub 240 V można również podłączyć do zasilania 220 V).
- Pył z materiałów zawierających ołów, takich jak farby, niektóre gatunki drewna, minerały i metale, może być szkodliwy (kontakt z pyłem lub jego wdychanie może powodować reakcje alergiczne i/lub choroby układu oddechowego u operatora lub osoby postronne); należy nosić maskę przeciwpyłową i pracować przy użyciu urządzenia odpylającego po podłączeniu.

Niektóre rodzaje pyłu są klasyfikowane jako rakotwórcze (np. dąb i pył bukowy) zwłaszcza w połączeniu z dodatkami do kondycjonowania drewna;

należy nosić maskę przeciwpyłową i pracować przy użyciu urządzenia odsysającego pył, podłączalny

• Postępuj zgodnie z krajowymi wymogami dotyczącymi pyłu w przypadku materiałów, których chcesz używać. z którym można pracować.

• Zabezpiecz przedmiot obrabiany (przedmiot obrabiany zamocowany za pomocą urządzeń zaciskowych lub (w imadle jest trzymany pewniej niż ręcznie). • Nie zaciskaj narzędzia w imadle. • Używaj całkowicie rozwiniętych i bezpiecznych przedłużaczy o pojemności 10

Wzmacniacze.

## PO UŻYCIU

• Przed odłożeniem narzędzia wyłącz silnik i upewnij się, że wszystkie ruchome części całkowicie się zatrzymały

• Po wyłączeniu narzędzia nigdy nie zatrzymuj obrotów akcesorium za pomocą siły bocznej przyłożonej do niego.

Prawidłowe użycie narzędzia

Ta szlifierka jest przeznaczona do szlifowania wszelkiego rodzaju materiałów, np. metali, drewna, kamienia, tworzyw sztucznych itp. za pomocą materiałów ściernych przeznaczonych do tego celu. Nie używaj tej szlifierki do jakiegokolwiek innego celu niż określony bez konsultacji z producentem lub autoryzowanym dostawcą producenta Stanowiska pracy

Narzędzie jest przeznaczone do użytku ręcznego. Zawsze należy je zalecać korzystanie z narzędzia stojąc na twardym podłożu.

może znajdować się w dowolnej pozycji, ale przed każdym użyciem operator musi znajdować się w bezpiecznej pozycji, mocny chwyt i oparcie oraz świadomość, że szlifierka może wytworzyć reakcję momentu obrotowego. Zobacz rozdział „Instrukcja obsługi”.

## ZAKŁADANIE I WYMIANA PAPIERU ŚCIERNEGO

Umieść papier ścierny na środku płytki ściernej i dociśnij.

Otwory w papierze ściernym muszą być wyrównane z otworami w papierze ściernym.

podkładka ścierna. Tylko w przypadku okrągłej podkładki ścierniej: przeprowadź próbę, aby sprawdzić, czy tarcza ścierna jest zamocowana centralnie.

## WYMIANA PODKŁADKI PODKŁADOWEJ

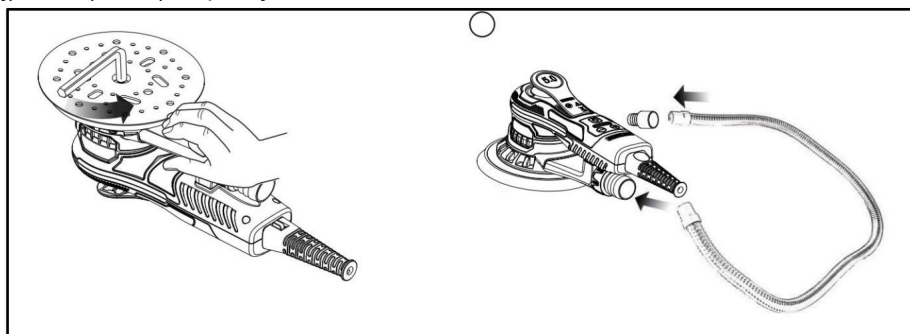
- Odwróć szlifierkę i połóż ją na płaskiej, równej powierzchni.
- Za pomocą klucza S6 odkręć śrubę znajdującą się na środku tarczy.

przeciwie do ruchu wskazówek zegara.

- Wymij starą podkładkę i wymień ją na nową.
- Dokręć śrubę zgodnie z ruchem wskazówek zegara.

## INSTALACJA RUR PODCIŚNIENIOWYCH

- Wybierz jeden koniec rury odkurzacza, podłączony do wylotu pyłu maszyna.
- Wybierz drugi koniec rury próżniowej i podłącz go za pomocą adaptera 35 mm najpierw, a potem podłączamy do odkurzacza.



## INSTRUKCJA OBSŁUGI

Narzędzie jest przeznaczone do obsługi jako narzędzie ręczne. Narzędzie może być używane w dowolnej pozycji. Uwaga! Szlifierka może wytworzyć reakcję momentu obrotowego, gdy rozpocznie pracę. Upewnij się, że szlifierka jest wyłączona. Wybierz odpowiedni materiał ścierny i przymocuj go do podkładki. Upewnij się, że materiał ścierny jest wyśrodkowany na podkładce. Włącz szlifierkę naciskając przycisk On/Off, Szlifierka

Dioda LED świeci teraz na zielono.

1. Teraz można uruchomić szlifierkę naciskając dźwignię.
2. Prędkość można regulować w zakresie od 4000 obr./min do maks. obr./min. regulacja położenia dźwigni.

3. Maksymalne obroty na minutę można regulować, naciskając przycisk rpm+ lub rpm-. Każde naciśnięcie zwiększa lub zmniejsza prędkość o 1200 obr./min aż do osiągnięcia wartości granicznych.

Obroty można regulować w zakresie od 4000 do 10 000 obr./min.

4. Narzędzie ma dwa tryby kontroli prędkości. W trybie domyślnym prędkość można regulować liniowo poprzez zmianę położenia dźwigni. W drugim przypadku w tym trybie prędkość pozostaje stała i wynosi maksymalną liczbę obrotów na minutę, gdy narzędzie jest w biegu. Gdy przyciski rpm+ i rpm- zostaną naciśnięte jednocześnie, narzędzie przełącza pomiędzy dwoma trybami sterowania.

5. Podczas szlifowania zawsze przed rozpoczęciem pracy należy odłożyć narzędzie na powierzchnię roboczą. Zawsze zdejmuj narzędzie z powierzchni roboczej przed zatrzymaniem. To zapobiegnie powstawaniu wyżłobień na powierzchni roboczej spowodowanych nadmierną prędkością ścierną.

6. Po zakończeniu szlifowania wyłącz szlifierkę naciskając przycisk Wł./Wył. Dioda LED szlifierki jest teraz wyłączona.

## INSTRUKCJA ROZWIĄZYWANIA PROBLEMÓW

Objaw	Możliwa przyczyna	Rozwiązanie
Dioda LED szlifierki świeci normalnie, obr./min-i obr./min+ klawisze są normalne, ale przełącznik nie działa	Zniszczona Hala składniki.	Odeślij maszynę do obsługi posprzedażowej usług, zmiana elementy hali.
Po podłączeniu, bez względu na wszystko naciśnięty przycisk, dioda LED świeci nie zaświeci się.	Przełącznik uszkodzony.	Zmień przełącznik składniki.
Dioda LED nie świeci i maszyna się zatrzymuje pracując.	Napięcie wejściowe jest niższe niż 170VAC $\pm 10VAC$ , maszyna wchodzi do niskiego napięcia ochrona.	Zmień na prawo napięcie wejściowe, powyżej 180 V i poniżej 285 V.
Diody LED1, LED3, LED5 świecą się, pozostałe światła gasną.	Napięcie wejściowe jest wyższe niż 275VAC $\pm 10VAC$ , maszyna wchodzi wysoko zabezpieczenie napięcia.	Zmień na prawo napięcie wejściowe, powyżej 180V i poniżej 285V.

Diody LED1, LED6 świecą, pozostałe zgasic światło.	Trzy przewody silnik jest luźny lub złamany.	Odeślij maszynę do obsługi posprzedażowej Usługa naprawy.
--	--	---

## CHYZSZCZENIE I PRZECHOWYWANIE

1. Odłącz przewód zasilający i upewnij się , że produkt jest wyłączony. przed czyszczeniem.
  2. Wytrzyj suchym ręcznikiem, nie moczyć w płynie.
  3. Zawsze utrzymuj narzędzie i przewód w czystości (zwłaszcza otwory wentylacyjne).
  4. Nie próbuj czyścić otworów wentylacyjnych, wkładając do nich ostre przedmioty. przez otwory.
- WSKAZÓWKA:** Do czyszczenia proszku na powierzchni można użyć sprężonego powietrza. Produkt.
5. Przed przechowywaniem urządzenia należy je zawsze odłączyć od zasilania.
  6. Zawsze upewnij się , że maszyna jest wyczyszczona, schłodzona i wysuszona przed smyczkowy.
  7. Czyszczenie i konserwacja urządzenia przez użytkownika nie powinny być wykonywane przez dzieci. bez nadzoru.

Producent: Shanghai muxinmuyeyouxiangongsi

Adres: Shuangchenglu 803nong11hao1602A-1609shi, baoshanqu, szanghaj 200000 CN.

Importowane do AUS: SIHAO PTY LTD, 1 ROKEVA STREET EASTWOOD  
NSW 2122 Australia

Importowane do USA: Sanven Technology Ltd., Suite 250, 9166 Anaheim  
Miejsce, Rancho Cucamonga, CA 91730

Przedstawiciel UE	
-------------------	--

E-CrossStu GmbH  
Mainzer Landstr.69, 60329 Frankfurt nad Menem.

REP WIELKIEJ BRYTANII	
-----------------------	--

YH CONSULTING LIMITED.  
C/O YH Consulting Limited Biuro 147, Centurion House,  
London Road, Staines-upon-Thames, Surrey, TW18 4AX

# VEVOR<sup>®</sup>

**TOUGH TOOLS, HALF PRICE**

Wsparcie techniczne i certyfikat gwarancji  
elektronicznej [www.vevor.com/support](http://www.vevor.com/support)

# VEVOR<sup>®</sup>

## TOUGH TOOLS, HALF PRICE

Technische ondersteuning en e-garantiecertificaat [www.vevor.com/support](http://www.vevor.com/support)

### EXCENTRISCHE SCHUURMACHINE

### MODEL: R7313

Wij streven er voortdurend naar om u gereedschappen tegen concurrerende prijzen te leveren.

"Save Half", "Half Price" of andere soortgelijke uitdrukkingen die wij gebruiken, geven alleen een schatting van de besparingen die u kunt behalen door bepaalde gereedschappen bij ons te kopen in vergelijking met de grote topmerken en betekent niet noodzakelijkerwijs dat alle categorieën gereedschappen die wij aanbieden, worden gedekt. Wij

herinneren u eraan om zorgvuldig te controleren of u daadwerkelijk de helft bespaart in vergelijking met de grote topmerken wanneer u een bestelling bij ons plaatst.

# VEVOR<sup>®</sup>

TOUGH TOOLS, HALF PRICE

EXCENTRISCHE SCHUURMACHINE

MODEL: R7313














HULP NODIG? NEEM CONTACT MET ONS OP!

Heeft u vragen over het product? Heeft u technische ondersteuning nodig? Neem dan gerust contact met

ons op: **Technische ondersteuning en E-garantiecertificaat**  
[www.vevor.com/support](http://www.vevor.com/support)

Dit is de originele instructie, lees alle handleidingen zorgvuldig door voordat u het product gebruikt. VEVOR behoudt zich een duidelijke interpretatie van onze gebruikershandleiding voor. Het uiterlijk van het product is afhankelijk van het product dat u hebt ontvangen. Vergeef ons dat we u niet opnieuw zullen informeren als er technologie- of software-updates voor ons product zijn.

	<p>Waarschuwing - Om het risico op letsel te verminderen, moet de gebruiker de volgende informatie lezen: Lees de gebruiksaanwijzing zorgvuldig door.</p>
     	<p>Draag altijd een door ANSI goedgekeurde veiligheidsbril tijdens het werken met gereedschap en apparatuur. Draag een oogbescherming. Draag gehoorbescherming. Draag beschermende handschoenen. Draag een stofmasker. Draag beschermende, slipvaste schoenen.</p>
 	<p>Compliance is een EG- en VK-beveiligingscertificering.</p>
	<p>Dit product is onderworpen aan de bepalingen van de Europese richtlijn 2012/19/EG. Het symbool met een doorgestreepte kliko geeft aan dat het product gescheiden afval nodig heeft inzameling in de Europese Unie. Dit geldt voor het product en alle accessoires die met dit symbool zijn gemarkeerd. Producten Als zodanig gemarkeerd, mag u het niet met het normale huishoudelijke afval weggooien. afval, maar moet naar een inzamelpunt voor recycling worden gebracht elektrische en elektronische apparaten.</p>
	<p>Schakel het product uit en koppel het los van de stroomvoorziening vóór montage, reiniging, afstellingen, onderhoud, opslag en transport.</p>
	<p>Dit product is van beschermingsklasse II. Dat wil zeggen dat het is uitgerust met verbeterde of dubbele isolatie.</p>

## BELANGRIJKE VEILIGHEIDSMATREGELEN

Bedankt voor het gebruiken van dit product. Om er zeker van te zijn dat u  
Gebruik de machine correct, lees deze instructies aandachtig door voordat u  
bediening en bewaar het goed voor toekomstige referentie. Lees het alstublieft zorgvuldig door  
de voorzorgsmaatregelen en veiligheidsregels op deze pagina om een veilig gebruik te garanderen.  
Deze handleiding beschrijft veiligheidswaarschuwingen en voorzorgsmaatregelen, bediening,  
onderhoud en reiniging. De waarschuwingen en instructies die in deze handleiding worden besproken,  
De handleiding kan niet alle mogelijke omstandigheden en situaties dekken die zich kunnen voordoen.  
Voorzichtigheid en gezond verstand zijn niet ingebouwd in dit product, omdat wij van mening zijn  
dat het gebruik aan deze codes zal voldoen. Als u problemen ondervindt, bel ons dan. Probeer de  
problemen niet zelf op te lossen, anders zal het letsel veroorzaken  
of schade aan eigendommen.

**Lees ALLE instructies voordat u uw apparaat gebruikt.**

### 1. VEILIGHEID OP DE WERKPLEK

- Houd de werkplek schoon en goed verlicht. Rommelige of donkere ruimtes nodigen uit tot ongelukken.
- Gebruik geen elektrisch gereedschap in explosieve atmosferen, zoals in de aanwezigheid van ontvlambare vloeistoffen, gassen of stof. Elektrisch gereedschap creëert vonken die het stof of de dampen kunnen doen ontbranden.
- Houd kinderen en omstanders uit de buurt terwijl u een elektrisch gereedschap bedient. Afleidingen kunnen ervoor zorgen dat u de controle verliest.

### 2. ELEKTRISCHE VEILIGHEID

- Stekkers van elektrisch gereedschap moeten passen bij het stopcontact. Wijzig de stekker nooit op welke manier dan ook. Gebruik geen adapterstekkers met geaarde stroom gereedschap. Ongewijzigde stekkers en bijpassende stopcontacten verminderen het risico op elektrische schok.
- Vermijd lichamelijk contact met geaarde oppervlakken zoals leidingen, radiatoren, fornuizen en koelkasten. Er is een verhoogd risico op elektrische schok als uw lichaam geaard is.
- Stel elektrisch gereedschap niet bloot aan regen of natte omstandigheden. Water dat in een elektrisch gereedschap verhoogt het risico op een elektrische schok.
- Misbruik het snoer niet. Gebruik het snoer nooit om te dragen, trekken of het loskoppelen van het elektrische gereedschap. Houd het snoer uit de buurt van hitte, olie, scherpe randen of

bewegende delen. Beschadigde of verstrengelde snoeren vergroten het risico op elektrische schok.

- Gebruik bij het gebruik van elektrisch gereedschap buitenshuis een verlengsnoer dat geschikt is voor buitengebruik. Het gebruik van een snoer dat geschikt is voor buitengebruik vermindert het risico op elektrische schok.
- Als het gebruik van elektrisch gereedschap op een vochtige locatie onvermijdelijk is, gebruik dan een aardlekschakelaar. Het gebruik van een aardlekschakelaar vermindert de risico op elektrische schokken.

### **3. PERSOONLIJKE VEILIGHEID**

- Blijf alert, let op wat u doet en gebruik uw gezonde verstand wanneer u iets doet. een elektrisch gereedschap bedienen. Gebruik geen elektrisch gereedschap als u moe bent of onder invloed van drugs, alcohol of medicijnen. Een moment van Onoplettendheid bij het bedienen van elektrisch gereedschap kan leiden tot ernstige persoonlijke verwondingen. letsel. •

Gebruik persoonlijke beschermingsmiddelen. Draag altijd oogbescherming.

Beschermende uitrusting zoals een stofmasker, antislip veiligheidsschoenen, een veiligheidshelm of gehoorbescherming die voor de juiste omstandigheden wordt gebruikt, zal de persoonlijke

- Voorkom onbedoeld starten. Zorg ervoor dat de schakelaar in de uit-stand staat voordat u het apparaat aansluit op de stroombron en/of de batterij, het oppakken of het gereedschap dragen. Elektrisch gereedschap dragen met uw vinger op de schakelaar of Het inschakelen van elektrisch gereedschap met de schakelaar aan is een uitnodiging voor ongelukken. • Verwijder alle afstelsleutels of moersleutels voordat u het elektrisch gereedschap inschakelt. A Een sleutel of een sleutel die aan een draaiend onderdeel van het elektrische gereedschap is bevestigd, kan het gevolg zijn bij persoonlijk letsel. •

Reik niet te ver. Zorg te allen tijde voor een goede voet en evenwicht. Dit

- Kleed u goed. Draag geen losse kleding of sieraden. Houd uw haar, kleding en handschoenen uit de buurt van bewegende delen. Losse kleding, sieraden of lange haar kan vast komen te zitten in bewegende delen.

- Als er apparaten zijn voorzien voor de aansluiting van stofafzuiging en verzamelfaciliteiten, zorg ervoor dat deze zijn aangesloten en correct worden gebruikt. Gebruik van Door stofafzuiging kunnen stofgerelateerde gevaren worden verminderd.

### **4. GEBRUIK EN ZORG VAN ELEKTRISCH GEREEDSCHAP**

- Forceer het elektrische gereedschap niet. Gebruik het juiste elektrische gereedschap voor uw toepassing. Het juiste elektrische gereedschap zal de klus beter en veiliger klaren op de snelheid waarvoor het is ontworpen.
- Gebruik het elektrische gereedschap niet als de schakelaar het niet aan en uit zet.

elektrisch gereedschap dat niet met de schakelaar kan worden bediend, is gevaarlijk en moet worden gerepareerd.

- Haal de stekker uit het stopcontact en/of haal de accu uit het stopcontact.

het elektrische gereedschap voordat u aanpassingen doet, accessoires vervangt of het opbergen van elektrisch gereedschap. Dergelijke preventieve veiligheidsmaatregelen verminderen het risico op per ongeluk het elektrische gereedschap starten.

- Bewaar elektrisch gereedschap dat niet wordt gebruikt buiten het bereik van kinderen en laat het niet personen die niet bekend zijn met het elektrische gereedschap of deze instructies voor het bedienen ervan elektrisch gereedschap. Elektrisch gereedschap is gevaarlijk in de handen van ongetrainde gebruikers.

Onderhoud elektrisch gereedschap. Controleer op verkeerde uitlijning of vastlopen van bewegende onderdelen, breuk van onderdelen en andere omstandigheden die de prestaties van het elektrisch gereedschap kunnen beïnvloeden. werking. Laat het elektrische gereedschap repareren voordat u het gebruikt, als het beschadigd is. Veel ongelukken worden veroorzaakt door slecht onderhouden elektrisch gereedschap.

- Houd snijgereedschappen scherp en schoon. Goed onderhouden snijgereedschappen met scherpe snijkanten hebben minder kans om vast te lopen en zijn gemakkelijker te controleren.
- Gebruik het elektrische gereedschap, de accessoires en de gereedschapsbits enz. in overeenstemming met deze instructies, rekening houdend met de werkomstandigheden en het werk uit te voeren. Gebruik van het elektrisch gereedschap voor andere handelingen dan die bedoeld, kan een gevaarlijke situatie ontstaan.

## 5. DIENSTEN

- Laat uw elektrisch gereedschap onderhouden door een gekwalificeerde reparateur die uitsluitend identieke vervangende onderdelen. Dit zorgt ervoor dat de veiligheid van de stroomvoorziening gewaarborgd is. gereedschap wordt onderhouden.

# VEILIGHEIDSINSTRUCTIES VOOR SCHUURMACHINE

## 1. VEILIGHEIDSINSTRUCTIES VOOR ALLE WERKZAAMHEDEN

a) Dit elektrische gereedschap is bedoeld om te functioneren als een schuurmachine. Lees alle veiligheidsinstructies waarschuwingen, instructies, illustraties en specificaties die bij dit product worden geleverd elektrisch gereedschap. Als u niet alle onderstaande instructies opvolgt, kan dit leiden tot

elektrische schok, brand en/of ernstig letsel. b) Dit

elektrische gereedschap wordt niet aanbevolen voor het slijpen, borstelen of snijden bewerkingen waarvoor het elektrische gereedschap niet is ontworpen, kunnen

een gevaar opleveren en persoonlijk letsel veroorzaken. c)

Laat geen enkel los deel van de motorkap of de bevestigingskoorden losraken.

draai vrij rond. Stop losse bevestigingsdraden weg of knip ze bij. Losse en

draaiende bevestigingskoorden kunnen uw vingers verstrikken of aan het werk blijven haken stuk. d)

Gebruik geen accessoires die niet speciaal zijn ontworpen en

aanbevolen door de gereedschapsfabrikant. Alleen omdat het accessoire kan

Als u het accessoire niet op uw elektrische gereedschap aansluit, garandeert dit geen veilige werking. e) Het

nominale toerental van het accessoire moet ten minste gelijk zijn aan het nominale toerental van het accessoire.

maximale snelheid aangegeven op het elektrische gereedschap. Accessoires die sneller werken dan hun nominale snelheid kan uit elkaar vliegen.

f) De buitendiameter en de dikte van uw accessoire moeten binnen

de capaciteitsclassificatie van uw elektrisch gereedschap. Accessoires met een verkeerde maat kunnen niet

g) De asgrootte van wielen, flenzen, steunschijven

of andere accessoires

moet goed op de spindel van het elektrische gereedschap passen. Accessoires met spindel

gaten die niet overeenkomen met de bevestigingsmaterialen van het elektrische gereedschap, zullen

uit balans raken, overmatig trillen en verlies van controle kunnen veroorzaken. h) Gebruik

geen beschadigd accessoire. Controleer voor elk gebruik de

accessoires zoals schuurschijven voor chips en scheuren, steunschijven voor

scheuren, scheuren of overmatige slijtage, staalborstels voor losse of gearsten draden. Als de

Als het elektrische gereedschap of de accessoire valt, controleer dan op schade of installeer een

onbeschadigde accessoire. Nadat u een accessoire hebt geïnspecteerd en geïnstalleerd,

plaatst u uzelf en omstanders uit de buurt van het vlak van de roterende

accessoire en laat het elektrische gereedschap gedurende één uur op maximaal onbelast toerental draaien

minuut. Beschadigde accessoires zullen normaal gesproken tijdens deze test uit elkaar vallen tijd.

i) Draag persoonlijke beschermingsmiddelen. Gebruik afhankelijk van de toepassing

gelaatsscherm,

veiligheidsbril of veiligheidsbril. Draag indien nodig een stofmasker, gehoorbescherming

beschermers, handschoenen en werkplaatsschorten die kleine schurende of

werkstukfragmenten. De oogbescherming moet in staat zijn om rondvliegend puin dat door verschillende handelingen wordt gegenereerd. Het stofmasker of de beademingsapparatuur moet in staat zijn om de deeltjes die door uw werkzaamheden worden gegenereerd, te filteren.

Langdurige blootstelling aan lawaai met een hoge intensiteit kan gehoorverlies veroorzaken.

j) Houd omstanders op een veilige afstand van het werkgebied. Iedereen die het werkgebied betreedt, het werkgebied moet persoonlijke beschermingsmiddelen dragen. Fragmenten van de werkstuk of een kapot accessoire kan wegvliegen en letsel veroorzaken buiten het bereik van het directe werkgebied. k) Plaats het snoer uit

de buurt van het draaiende accessoire. Als u de controle verliest, Het snoer kan worden doorgesneden of vastgeklemd en uw hand of arm kan in de draaiende accessoire.

l) Leg het elektrische gereedschap nooit neer voordat het accessoire volledig is opgeladen. volledige stop. Het draaiende accessoire kan het oppervlak grijpen en de

m) Gebruik het elektrische gereedschap niet terwijl u het aan uw zijde draagt. Onbedoeld

contact met het draaiende accessoire kan uw kleding doen vastlopen, waardoor de accessoire in uw lichaam. n) Reinig regelmatig de ventilatieopeningen van het elektrische gereedschap. De ventilator van de motor zal de stof in de behuizing en overmatige ophoping van metaalpoeder kan elektrische gevaren veroorzaken. o)

Gebruik het elektrische gereedschap niet in de buurt van ontvlambare materialen. Vonken kunnen deze materialen ontsteken. p)

Gebruik geen accessoires die vloeibare koelmiddelen nodig hebben. Gebruik water of andere Vloeibare koelmiddelen kunnen elektrocutie of schokken veroorzaken.

## **2. TERUGLEUNEN EN GERELATEERDE WAARSCHUWINGEN**

Terugslag is een plotselinge reactie op een beknelde of vastgelopen draaiend wiel, steunschijf, borstel of een ander accessoire. Knijpen of vastlopen veroorzaakt snel vastlopen van het roterende accessoire, wat op zijn beurt de ongecontroleerd elektrisch gereedschap dat in de tegenovergestelde richting van de rotatie van het accessoire op het punt van de binding.

Als bijvoorbeeld een slijpschijf blijft haken of wordt afgeknelde door het werkstuk, de rand van het wiel dat het knelpunt binnengaat, kan in de oppervlak van het materiaal waardoor het wiel eruit klimt of wegschiet. De Het wiel kan naar de operator toe of van hem af springen, afhankelijk van de

richting van de beweging van het wiel op het punt van knijpen. Schuurwielen kan ook breken onder deze omstandigheden. Terugslag is het resultaat van elektrisch gereedschap verkeerd gebruik en/of onjuiste bedieningsprocedures of -omstandigheden en kunnen

U kunt dit voorkomen door de juiste voorzorgsmaatregelen te nemen, zoals hieronder aangegeven.

a) Houd het elektrische gereedschap stevig vast en plaats uw lichaam en arm in een positie waarin u het gereedschap stevig vasthoudt.

u in staat stellen om terugslagkrachten te weerstaan. Gebruik altijd een hulphandgreep, indien aanwezig, voor maximale controle over terugslag of koppelreactie tijdens het opstarten. De

De operator kan koppelreacties of terugslagkrachten beheersen, indien correct

voorzorgsmaatregelen worden

genomen. b) Plaats uw hand nooit in de buurt van het draaiende accessoire. Het accessoire kan

terugslag over uw hand. c) Plaats

uw lichaam niet in het gebied waar het elektrische gereedschap naartoe zal bewegen als

terugslag treedt op. Terugslag zal het gereedschap in de tegenovergestelde richting van de

de beweging van het wiel op het punt dat het vastloopt. d) Wees

extra voorzichtig bij het werken aan hoeken, scherpe randen enz. Vermijd

stuiteren en haken aan het accessoire. Hoeken, scherpe randen of stuiteren

hebben de neiging om vast te haken in het draaiende accessoire en verlies van controle te veroorzaken of terugslag.

e) Bevestig geen zaagketting, houtsnijblad of getand zaagblad.

Zulke messen veroorzaken vaak terugslag en verlies van controle.

## ALGEMEEN

- Gebruik dit gereedschap voor het schuren van hout, het verwijderen van verf en het polijsten.
  - Gebruik het schuurpapier en de spons die bij dit gereedschap worden geleverd.
  - Gebruik dit gereedschap alleen voor droog schuren.
  - Dit gereedschap mag niet worden gebruikt door personen jonger dan 16 jaar.
  - Haal altijd de stekker uit het stopcontact voordat u iets doet.
- aanpassing of verandering van een accessoire
- Werk niet met materialen die asbest bevatten (asbest wordt als asbest beschouwd).
- kankerverwekkend).

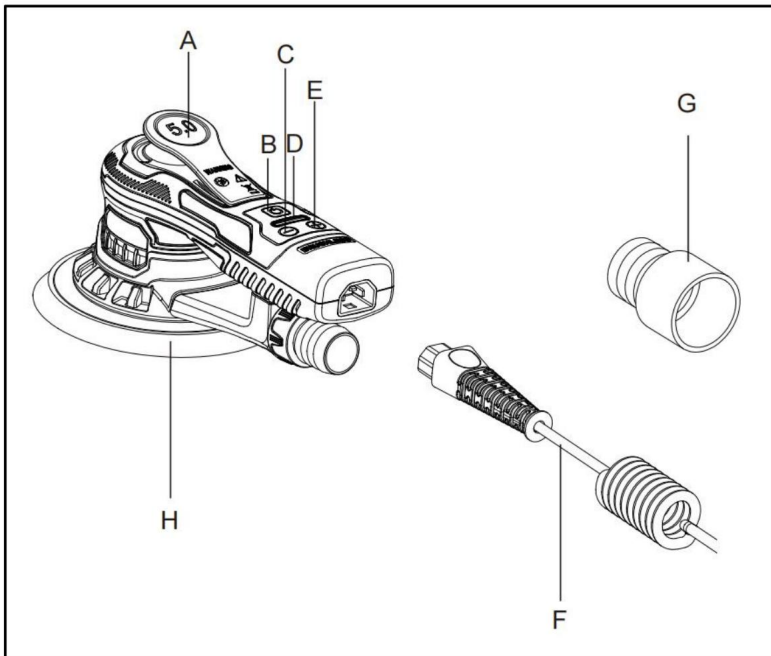
## ACCESSOIRES

- Gebruik alleen accessoires met een toegestane snelheid die ten minste overeenkomt met de hoogste onbelaste snelheid van het gereedschap.
- Gebruik geen beschadigde, vervormde of trillende accessoires.

## BUITEN GEBRUIK

- Wanneer u het gereedschap buitenshuis gebruikt, sluit u het aan via een aardlekschakelaar (FI). schakelaar met een activeringsstroom van maximaal 30 mA en gebruik alleen een verlengsnoer dat is bedoeld voor gebruik buitenshuis en voorzien van een spatwaterdichte koppelbus.

## PRODUCT OVERZICHT



A. Heftboom

B. Aan/uit-toets C. RPM-

D. LED-lampje

E. RPM- F Stroomkabel

Aansluitadapter H. Steunpad

## PRODUCTPARAMETERS

MODEL	Regio	Spanning	Stekkertype
R7313	Noorden Amerika	AC120V 60Hz 350W	Amerikaans PLUG
	Europa	AC220-240V 50Hz	Europese PLUG
	Australië	AC220-240V 50Hz	350W Australische stekker
Snelheid zonder belasting		4000 - 10000 toeren per minuut	
Dia. yMax		5 inch (127 mm) / 6 inch (150 mm)	
Excentriek		5mm	
Adapter aansluiten		y28mm	

**Let op: Gebruik de juiste voedingsspanning.**

**Let op: Sommige modellen hebben 5-inch klittenband-achterplaten die moeten apart worden aangeschaft.**

## VOOR GEBRUIK

Verwijder vóór het eerste gebruik van het apparaat alle promotionele en verpakkingsmaterialen en controleer of het product schoon en stofvrij is.

Gooi alle plastic zakken zorgvuldig weg en houd ze uit de buurt van kinderen en huisdieren. Controleer alle meegeleverde componenten volgens de lijst in deze handleiding.

- Controleer altijd of de voedingsspanning gelijk is aan de spanning aangegeven op het typeplaatje van het gereedschap (gereedschappen met een vermogen van 230V of 240V kan ook worden aangesloten op een 220V-voeding).
- Stof van materialen zoals loodhoudende verf, sommige houtsoorten, mineralen en metaal kunnen schadelijk zijn (contact met of inademing van het stof kan schadelijk zijn). kan allergische reacties en/of luchtwegaandoeningen bij de gebruiker veroorzaken of omstanders); draag een stofmasker en werk met een stofafzuiging wanneer aansluitbaar.
- Bepaalde soorten stof worden geclassificeerd als kankerverwekkend (zoals eiken- en beukenstof) vooral in combinatie met additieven voor houtconditionering;

Draag een stofmasker en werk met een stofafzuiging wanneer aansluitbaar

- Volg de nationale vereisten met betrekking tot stof voor de materialen die u wilt om mee te werken.
- Bevestig het werkstuk (een werkstuk dat is vastgeklemd met klemrichtingen of in een bankschroef wordt steviger vastgehouden dan met de hand).
- Klem het gereedschap niet vast in een bankschroef.
- Gebruik volledig afgerolde en veilige verlengsnoeren met een capaciteit van 10 Versterkers.

## NA GEBRUIK

- Voordat u het gereedschap neerlegt, schakelt u de motor uit en zorgt u ervoor dat alle bewegende delen zijn volledig tot stilstand gekomen
- Stop na het uitschakelen van het gereedschap nooit de rotatie van het accessoire door een zijdelingse kracht die ertegen wordt uitgeoefend.

### **Juist gebruik van gereedschap**

Deze schuurmachine is ontworpen voor het schuren van alle soorten materialen, zoals metalen, hout, steen, kunststoffen, enz. met schuurmiddelen die voor dit doel zijn ontworpen. Gebruik niet deze schuurmachine voor enig ander doel dan het aangegeven doel gebruiken zonder de fabrikant of de geautoriseerde leverancier van de fabrikant

### **Werkplekken**

Het gereedschap is bedoeld om als handgereedschap te worden gebruikt. Het is altijd aanbevolen om het gereedschap te gebruiken wanneer u op een stevige vloer staat. kan in elke positie worden gebruikt, maar vóór elk dergelijk gebruik moet de bediener zich in een veilige positie, met een stevige grip en voet en wees u ervan bewust dat de schuurmachine kan een koppelreactie ontwikkelen. Zie het hoofdstuk "Gebruiksaanwijzing".

## HET BEVESTIGEN EN VERWISSELEN VAN HET SCHUURPAPIER

Plaats het schuurpapier in het midden van het schuurblok en druk het aan.

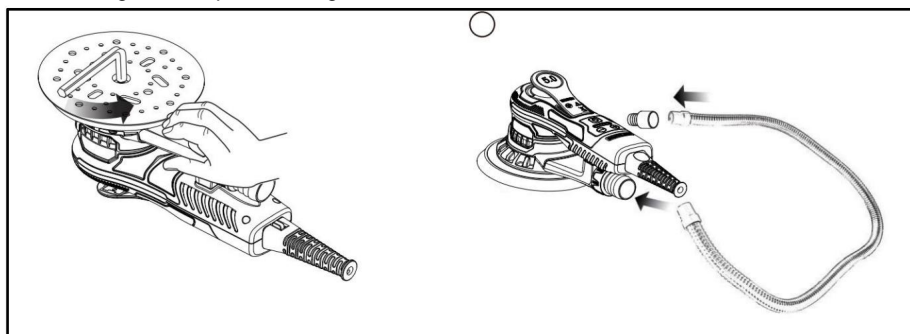
De gaten in het schuurpapier moeten in lijn liggen met de gaten in de schuurpad. Alleen voor ronde schuurpad: voer een testrun uit om te controleren of De schuurschijf wordt in het midden vastgeklemd.

## VERVANGEN VAN DE BACKING PAD

- Draai de schuurmachine om en plaats deze op een vlak, horizontaal oppervlak.
- Gebruik de S6-sleutel om de schroef in het midden van de schijf los te draaien tegen de klok in.
- Verwijder het oude kussentje en vervang het door het nieuwe.
- Draai de schroef met de klok mee vast.

## INSTALLATIE VAN VACUÛMLEIDINGEN

- Kies één uiteinde van de vacuÛmbuis, aangesloten op de stofuitlaat van de machine.
- Kies een ander uiteinde van de vacuÛmbuis en sluit deze aan met een 35 mm-adapter eerst, dan aangesloten op de stofzuiger.



## GEBRUIKSAANWIJZING

Het gereedschap is bedoeld om als handgereedschap te worden gebruikt. Het gereedschap kan in elke positie gebruikt. Let op! De schuurmachine kan een koppelreactie ontwikkelen wanneer gestart. Zorg ervoor dat de schuurmachine is uitgeschakeld. Selecteer een geschikt schuurmiddel en bevestig het aan de backing pad. Zorg ervoor dat het schuurmiddel gecentreerd is op de backing pad. Schakel de schuurmachine in door op de aan/uit-toets te drukken. De schuurmachine LED is nu groen.

1. De schuurmachine kan nu worden gestart door op de hendel te drukken.
2. De snelheid kan worden aangepast tussen 4.000 tpm en max. tpm door de positie van de hendel aanpassen.

3. Het maximale toerental kan worden aangepast door op rpm+ of rpm- te drukken. Bij elke druk op verhoogt of verlaagt de snelheid met 1200 tpm totdat de limieten worden bereikt.

Het toerental kan worden ingesteld tussen 4.000 en 10.000 toeren per minuut.

4. Het gereedschap heeft twee snelheidsregelstanden. In de standaardstand is de snelheid kan lineair worden aangepast door de positie van de hendel te veranderen. In de andere modus blijft de snelheid vast op het ingestelde maximale toerental wanneer het gereedschap is draaien. Wanneer de rpm+ en rpm-knoppen gelijktijdig worden ingedrukt,

Met dit gereedschap schakelt u tussen de twee besturingsmodi.

5. Plaats bij het schuren altijd het gereedschap op het werkoppervlak voordat u begint het gereedschap. Verwijder het gereedschap altijd van het werkoppervlak voordat u stopt

Dit voorkomt dat er groeven in het werkoppervlak ontstaan door een te hoge snelheid van de schurend.

6. Wanneer u klaar bent met schuren, schakelt u de schuurmachine uit door op de aan/uit-knop te drukken. De LED van de schuurmachine is nu uitgeschakeld.

## HANDLEIDING VOOR PROBLEEMOPLOSSING

Symptoom	Mogelijke oorzaak	Oplossing
De LED van de schuurmachine geeft normaal aan, de rpm-en rpm+ toetsen zijn normaal, maar de schakelaar werkt niet	Beschadigde hal componenten.	Stuur machine terug naar aftersales service, veranderen onderdelen van de hal.
Na het aansluiten, wat er ook gebeurt knop wordt ingedrukt, het LED-lampje gaat niet branden.	Schakelaar beschadigd.	Schakelaar wijzigen componenten.
Het LED-lampje brandt niet en de machine stopt werken.	Ingangsspanning is lager dan 170VAC $\pm 10$ VAC, de machine gaat naar lage spanning bescherming.	Verandering naar rechts ingangsspanning, boven 180V en lager 285V.
LED1, LED3, LED5 lichten op, de andere lichten zijn uit.	Ingangsspanning is hoger dan 275VAC $\pm 10$ VAC, de machine gaat hoog spanningsbeveiliging.	Verandering naar rechts ingangsspanning, boven 180V en onder 285V.

De LED1,LED6 lichten op, andere licht uit.	De drie draden van de motor zitten los of gebroken.	Stuur machine terug naar aftersales service voor reparatie.
--	---	---

## REINIGING & OPSLAG

1. Haal de stekker uit het stopcontact en zorg ervoor dat het product is uitgeschakeld. vóór het schoonmaken.
2. Veeg af met een droge handdoek, laat het niet weken in vloeistof.
3. Houd het gereedschap en het snoer altijd schoon (vooral de ventilatiesleuven).
4. Probeer de ventilatiesleuven niet schoon te maken door er puntige voorwerpen in te steken door openingen.

**TIPS:** Perslucht kan worden gebruikt om het poeder op het oppervlak van het product.

5. Haal altijd de stekker uit het stopcontact voordat u het apparaat opbergt.
6. Zorg er altijd voor dat de machine schoon, afgekoeld en gedroogd is voordat u de machine weer in gebruik neemt. snaar.
7. Reiniging en gebruikersonderhoud mogen niet door kinderen worden uitgevoerd zonder toezicht.

**Fabrikant:** Shanghaimuxinmuyeyouxiangongsi

**Adres:** Shuangchenglu 803nong11hao1602A-1609shi, baoshanqu, shanghai 200000 CN.

**Geïmporteerd naar AUS:** SIHAO PTY LTD, 1 ROKEVA STREETEASTWOOD NSW 2122 Australië

**Geïmporteerd naar de VS:** Sanven Technology Ltd., Suite 250, 9166 Anaheim Plaats, Rancho Cucamonga, CA 91730



E-CrossStu GmbH  
Mainzer Landstr.69, 60329 Frankfurt am Main.



YH CONSULTING LIMITED.  
C/O YH Consulting Limited Kantoor 147, Centurion House,  
Londen Road, Staines-upon-Thames, Surrey, TW18 4AX

**VEVOR**<sup>®</sup>

**TOUGH TOOLS, HALF PRICE**

Technische ondersteuning en e-  
garantiecertificaat [www.vevor.com/support](http://www.vevor.com/support)

# VEVOR®

## TOUGH TOOLS, HALF PRICE

Teknisk support och e-garanticertifikat [www.vevor.com/support](http://www.vevor.com/support)

## ORBITALSLIPPARE

MODELL: R7313

Vi fortsätter att vara engagerade i att ge dig verktyg till konkurrenskraftiga priser.

"Spara hälften", "halva priset" eller andra liknande uttryck som används av oss representerar bara en uppskattning av besparingar du kan dra nytta av att köpa vissa verktyg hos oss jämfört med de stora toppmärkena och betyder inte nödvändigtvis att täcka alla kategorier av verktyg som erbjuds av oss. Du påminns vänligen om att noggrant kontrollera när du gör en beställning hos oss om du faktiskt sparar hälften i jämförelse med de främsta stora varumärkena.

# VEVOR®

TOUGH TOOLS, HALF PRICE

ORBITALSLIPPARE

MODELL: R7313



## BEHÖVER HJÄLP? KONTAKTA OSS!

Har du produktfrågor? Behöver du teknisk support? Kontakta oss gärna: **Teknisk support och e-garanticertifikat [www.vevor.com/support](http://www.vevor.com/support)**

Detta är den ursprungliga instruktionen, läs alla instruktioner noggrant innan du använder den. VEVOR reserverar sig för en tydlig tolkning av vår användarmanual. Utseendet på produkten är beroende av den produkt du fått. Ursäkta oss att vi inte kommer att informera dig igen om det finns någon teknik eller mjukvaruuppdateringar på vår produkt.

	<p>Varning - För att minska risken för skada måste användaren läsa bruksanvisningen noggrant.</p>
    	<p>Bär alltid ANSI godkända skyddsglasögon när du arbetar med verktyg och utrustning.</p> <p>Använd ögonskydd.</p> <p>Använd hörselskydd.</p> <p>Använd skyddshandskar.</p> <p>Bär dammask.</p> <p>Bär skyddande, halksäkra skor.</p>
 	<p>Compliance är en säkerhetscertifiering från EG och Storbritannien.</p>
	<p>Denna produkt omfattas av bestämmelserna i det europeiska direktivet 2012/19/EG. Symbolen som visar en korsad soptunna genom indikerar att produkten kräver separat avfall insamling i Europeiska unionen. Detta gäller produkten och alla tillbehör märkta med denna symbol. Produkter märkt som sådan får inte kasseras med normala hushållsapparater avfall, men måste lämnas till en samlingsplats för återvinning elektriska och elektroniska apparater.</p>
	<p>Stäng av produkten och koppla bort den från strömförsörjningen före montering, rengöring, justeringar, underhåll, förvaring och transporter.</p>
	<p>Denna produkt är av skyddsklass II. Det betyder att den är utrustad med förstärkt eller dubbel isolering.</p>

## VIKTIGA SÄKERHETSÅTGÄRDER

Tack för att du använder den här produkten. För att vara säker på att du kan använda maskinen på rätt sätt, läs denna instruktion noggrant innan drift och förvara den på rätt sätt för framtida referens. Se till att läsa försiktighetsåtgärderna och säkerhetsreglerna på denna sida för att säkerställa din säkra användning. Denna handbok kommer att beskriva säkerhetsvarningar och försiktighetsåtgärder, drift, underhåll och rengöring. Varningarna och instruktionerna som granskas i denna manualen kan inte täcka alla möjliga förhållanden och situationer som kan uppstå. Försiktighet och sunt förnuft är inte inbyggt i denna produkt, eftersom vi tror att användningarna kommer att följa dessa koder. Om du har några problem, vänligen ring oss. Försök inte åtgärda problemen själv, annars kommer det att orsaka skada eller egendomsskada.

**Läs ALLA instruktioner innan du använder din maskin.**

### 1. SÄKERHET FÖR ARBETSOMRÅDE

- Håll arbetsområdet rent och väl upplyst. Röriga eller mörka områden inbjuder olyckor.
- Använd inte elverktyg i explosionsfarliga miljöer, t.ex närvaro av brandfarliga vätskor, gaser eller damm. Elverktyg skapar gnistor som kan antända damm eller ångor.
- Håll barn och åskådare borta när du använder ett elverktyg. Distractioner kan få dig att tappa kontrollen.

### 2. ELEKTRISK SÄKERHET

- Elverktygskontakter måste matcha uttaget. Modifiera aldrig kontakten på något sätt. Använd inga adapterkontakter med jordad (jordad) ström verktyg. Omodifierade stickproppar och matchande uttag minskar risken för elchock.
- Undvik kroppskontakt med jordade eller jordade ytor som rör, radiatorer, spisar och kylskåp. Det finns en ökad risk för elstöt om din kropp är jordad eller jordad.
- Utsätt inte elverktyg för regn eller våta förhållanden. Vatten som tränger in i elverktyg ökar risken för elektriska stötar.
- Missbruk inte sladden. Använd aldrig sladden för att bära, dra eller koppla ur elverktyget. Håll sladden borta från värme, olja, vassa kanter eller

rörliga delar. Skadade eller trasslade sladdar ökar risken för el chock.

- När du använder ett elverktyg utomhus, använd en lämplig förlängningssladd för utomhusbruk. Användning av en sladd lämplig för utomhusbruk minskar risken för elektrisk stöt.
- Om det är oundvikligt att använda ett elverktyg på en fuktig plats, använd jord läckagebrytare. Användning av en jordfelsbrytare minskar risk för elektriska stötar.

### **3. PERSONLIG SÄKERHET**

- Var uppmärksam, titta på vad du gör och använd sunt förnuft när använda ett elverktyg. Använd inte ett elverktyg när du är trött eller påverkad av droger, alkohol eller mediciner. Ett ögonblick av ouppmärksamhet när du använder elverktyg kan leda till allvarliga personskador skada.
- Använd personlig skyddsutrustning. Använd alltid ögonskydd. Skyddsutrustning som dammask, halkfria skyddsskor, hjälm eller hörselskydd som används för lämpliga förhållanden kommer att minska personlig skador. •

Förhindra oavsiktlig start. Se till att strömbrytaren är i avstängt läge innan du ansluter till strömkälla och/eller batteripaket, plockar upp eller bära verktyget. Bär elverktyg med fingret på strömbrytaren eller strömförande elverktyg som har strömbrytaren på inbjuder till olyckor. • Ta bort eventuell justeringsnyckel eller skiftnyckel innan du slår på elverktyget. A skiftnyckel eller en nyckel som sitter kvar på en roterande del av elverktyget kan uppstå vid personskada. •

Räck inte för mycket. Håll alltid rätt fotfäste och balans. Detta möjliggör bättre kontroll över elverktyget i oväntade situationer. • Klä dig ordentligt. Bär inte löst sittande kläder eller smycken. Håll ditt hår, kläder och handskar borta från rörliga delar. Lösa kläder, smycken eller långa hår kan fastna i rörliga delar. • Om anordningar tillhandahålls för anslutning av dammsug och insamlingsanläggningar, se till att dessa är anslutna och används på rätt sätt. Användning av dammupsamling kan minska dammrelaterade faror.

### **4. ANVÄNDNING OCH SKÖTSEL AV ELVERKTYG**

- Tvinga inte elverktyget. Använd rätt elverktyg för din ansökan. Rätt elverktyg kommer att göra jobbet bättre och säkrare röntan som den utformades för. •

Använd inte elverktyget om strömbrytaren inte slår på och av det. Några elverktyg som inte kan styras med strömbrytaren är farligt och måste repareras. •

Dra ut kontakten från strömkällan och/eller batteripaketet från elverktyget innan du gör några justeringar, byter tillbehör eller förvaring av elverktyg. Sådana förebyggande säkerhetsåtgärder minskar risken för starta elverktyget av misstag. • Förvara inaktiva elverktyg utom räckhåll för barn och tillåt det inte personer som inte är bekanta med elverktyget eller dessa instruktioner för att använda elverktyg. Elverktyg är farliga i händerna på utbildade användare. • Underhåll elverktyg. Kontrollera om rörliga delar är felinriktade eller fastnar, går sönder delar och andra tillstånd som kan påverka elverktygets drift. Om det är skadat, låt det elverktyg repareras före användning. Många olyckor orsakas av dåligt underhållna elverktyg. • Håll skärverktyg vassa och rena. Rätt underhållna skärverktyg med vassa skåreggar är mindre benägna att binda och är lättare att kontrollera. • Använd elverktyget, tillbehören och verktygsbitar etc. i enlighet med dessa instruktioner, med hänsyn till arbetsförhållandena och arbetet ska utföras. Användning av elverktyget för andra operationer än dessa avsett kan resultera i en farlig situation.

## **5.SERVICE**

- Låt endast en kvalificerad reparatör serva ditt elverktyg identiska reservdelar. Detta kommer att säkerställa att säkerheten för makten verktyget bibehålls.

# **SÄKERHETSINSTRUKTIONER FÖR SLIPARE**

## **1. SÄKERHETSINSTRUKTIONER FÖR ALLA ANVÄNDNINGAR**

a) Detta elverktyg är avsett att fungera som slipning. Läs all säkerhet varningar, instruktioner, illustration sand specifikationer medföljer detta elverktyg. Underlåtenhet att följa alla instruktioner nedan kan leda till

elektriska stötar, brand och/eller allvarliga skador. b) Detta elverktyg rekommenderas inte för slipning, stålborstning eller skärning operationer som elverktyget inte är konstruerat för kan

skapar en fara och orsakar personskador. c)

Tillåt inte någon lös del av motorhuvens eller dess fästsnöre snurra fritt. Lägg undan eller klipp av eventuella lösa fästsnören. Lös och snurrande fästsnören kan trassla in dina fingrar eller haka på verket bit. d)

Använd inte tillbehör som inte är specifikt utformade och rekommenderas av verktygstillverkaren. Bara för att tillbehöret kan monteras på ditt elverktyg, det garanterar inte säker användning. e)

Tillbehörets nominella hastighet måste vara minst lika med maxhastighet markerad på elverktyget. Tillbehör går snabbare än deras nominella hastighet kan flyga isär.

f) Ytterdiametern och tjockleken på ditt tillbehör måste vara inom kapacitetsklassificeringen för ditt elverktyg. Felaktiga tillbehör kan inte vara tillräckligt bevakad eller kontrollerad.

g) Axelstorleken på hjul, flänsar, stödkuddar eller något annat tillbehör måste passa till elverktygets spindel. Tillbehör med axel

hål som inte stämmer överens med monteringsdetaljerna på elverktyget kommer att köras

ur balans, vibrerar för mycket och kan orsaka förlust av kontroll. h) Använd inte ett skadat tillbehör. Inspektera före varje användning

tillbehör som slipskivor för spån och sprickor, stödkuddar för

sprickor, revor eller överflödigt slitage, stålborstar för lösa eller spruckna trådar. Om

elverktyg eller tillbehör tappas, inspektera för skador eller installera en

oskadat tillbehör. Efter att ha inspekterat och installerat ett tillbehör, placera dig själv och åskådare borta från planet för den roterande

tillbehör och kör elverktyget med maximal hastighet utan belastning för en

minut. Skadade tillbehör kommer normalt att gå isär under detta test tid.

i) Använd personlig skyddsutrustning . Beroende på användningsområde ansiktsskydd,

skyddsglasögon eller skyddsglasögon. Bär vid behov dammmask, hörsel skydd, handskar och butiksförkläde som kan stoppa små slipmedel eller

fragment av arbetsstycket. Ögonskyddet måste kunna stoppa flygande skräp som genereras av olika operationer. Dammmasken eller andningsskyddet måste kunna filtrera partiklar som genereras av din verksamhet.

Långvarig exponering för högintensivt buller kan orsaka hörselnedsättning.

j) Håll åskådare på säkert avstånd från arbetsområdet. Alla som kommer in i arbetsområdet ska bära personlig skyddsutrustning. Fragment av arbetsstycke eller trasigt tillbehör kan flyga iväg och orsaka skador bortom det omedelbara verksamhetsområdet.

k) Placera sladden borta från det snurrande tillbehöret. Om du tappar kontrollen, sladden kan skäras av eller haka sig och din hand eller arm kan dras in i spinning tillbehör.

l) Lägg aldrig ner elverktyget förrän tillbehöret har kommit till a helt stopp. Det snurrande tillbehöret kan ta tag i ytan och dra i elverktyg utom din kontroll. m) Kör

inte elverktyget när du bär det vid din sida. Tillfällig kontakt med det snurrande tillbehöret kan fastna i dina kläder och dra i den tillbehör i din kropp. n) Rengör

regelbundet elverktygets lufthål. Motorns fläkt kommer att dra damm inuti höljet och överdriven ansamling av pulverformig metall kan orsaka elektriska faror. o)

Använd inte elverktyget i närheten av brandfarliga material. Gnistor kunde antända dessa material.

p) Använd inte tillbehör som kräver flytande kylmedel. Använd vatten eller annat flytande kylmedel kan leda till elektriska stötar eller stötar.

## **2. SLÅ BAKÅT OCH RELATERADE VARNINGAR**

Bakslag är en plötslig reaktion på ett klämt eller fastklämt roterande hjul, stöddyna, borste eller något annat tillbehör. Orsaker som kläms eller fastnar snabb avstängning av det roterande tillbehöret vilket i sin tur orsakar okontrollerat elverktyg som ska tvingas i motsatt riktning mot tillbehörets rotation vid bindningspunkten.

Till exempel, om en slipskiva fastnar eller kläms av arbetsstycket, kanten på hjulet som går in i klämpunkten kan gräva in i ytan på materialet som får hjulet att klättra ut eller sparka ut. De hjulet kan antingen hoppa mot eller bort från föraren, beroende på

riktningen för hjulets rörelse vid den punkt då det kläms. Slipande hjul kan också gå sönder under dessa förhållanden. Kickback är resultatet av elverktyg felaktig användning och/eller felaktiga driftsprocedurer eller förhållanden och kan vara undvikas genom att vidta lämpliga försiktighetsåtgärder enligt nedan. a) Håll ett stadigt grepp om elverktyget och placera din kropp och arm mot det gör att du kan motstå kastkrafter. Använd alltid hjälphandtag, om det finns, för maximal kontroll över kast eller vridmomentreaktion under uppstart. De Föraren kan kontrollera vridmomentreaktioner eller kastkrafter, om så är lämpligt försiktighetsåtgärder vidtas.

b) Placera aldrig din hand nära det roterande tillbehöret. Tillbehöret kan bakslag över din hand. c)

Placera inte din kropp i det område där elverktyget rör sig bakslag inträffar. Kickback kommer att driva verktyget i motsatt riktning hjulets rörelse vid punkten för att haka. d) Var särskilt försiktig när du arbetar med hörn, vassa kanter etc. Undvik studsar och hakar i tillbehöret. Hörn, vassa kanter eller studsande har en tendens att haka fast det roterande tillbehöret och orsaka förlust av kontroll eller bakslag.

e) Fäst inte en sågkedja för träsnideri eller tandad sågklinga. Sådana blad skapar ofta kast och förlust av kontroll.

## ALLMÄN

- Använd detta verktyg för att slipa träyborttagning av färgypolering. • Använd slippapper och svampdyna som medföljer detta verktyg
- Använd endast detta verktyg för torrslipning. • Detta verktyg bör inte användas av personer under 16 år
- Dra alltid ur kontakten från strömkällan innan du gör något justering eller ändring av något tillbehör
- Arbeta inte med material som innehåller asbest (asbest övervägs carcinogen).

## TILLBEHÖR

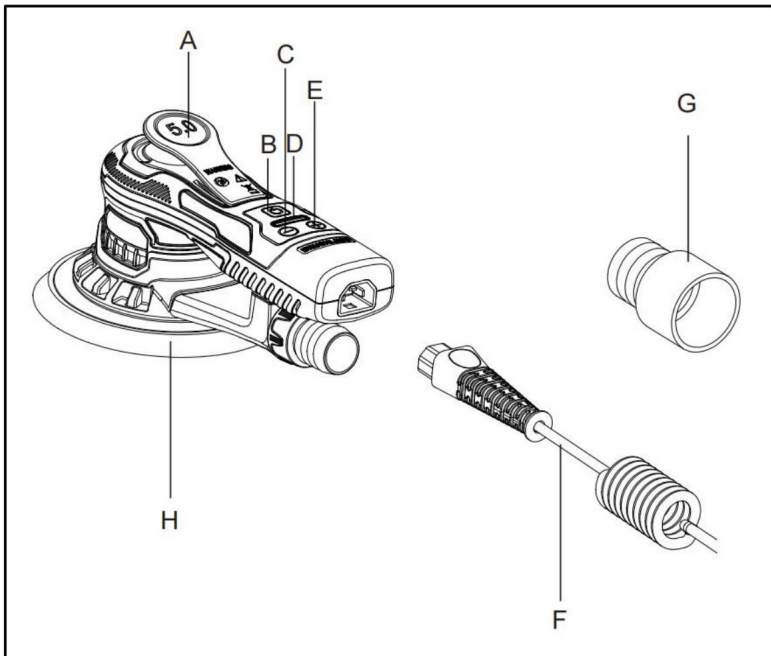
- Använd endast tillbehör med en tillåten hastighet som motsvarar minst verktygets högsta tomgångshastighet. •

Använd inte skadade, deformerade eller vibrerande tillbehör.

## ANVÄNDNING UTMOMHUS

- Vid användning utomhus, anslut verktyget via en felströmskrets (FI)-brytare med en utlösningsström på max 30mA, och använd endast en förlängningsladd som är avsedd för utomhusbruk och utrustad med ett stänksäkert kopplingsuttag.

## PRODUKTÖVERSIKT



- A. Spak      B. På/av-knapp      C. RPM-      G. Anslut      D. LED  
E. RPM-      F. Nätsladd      adapter      H. Stödplatta

## PRODUKTPARAMETRAR

MODELL	Område	Spänning	Typ av strömkontakt
R7313	Norr Amerika	AC120 V 60Hz 350W	amerikansk PLUGG
	Europa	AC220-240V 50 Hz	Europeiska PLUGG
	Australien	AC220-240V 50 Hz	350W Australia PLUG
No-load hastighet		4000 - 10000 RPM	
Dia.ϕ Max		5 tum (127 mm) / 6 tum (150 mm)	
Excentrisk		5 mm	
Anslut adaptern		ϕ28 mm	

**Obs: Använd rätt strömkällas spänning.**

**Observera: Vissa modeller har 5-tums kardborreskydd som måste köpas separat.**

## INNAN ANVÄNDNING

Innan du använder apparaten för första gången, dra bort eventuella reklam- och förpackningsmaterial och kontrollera att produkten är ren och dammfri.

Kassera alla plastpåsar försiktigt och håll dem borta från

barn och husdjur. Kontrollera alla komponenter som tillhandahålls enligt listan i denna manual.

- Kontrollera alltid att matningsspänningen är densamma som spänningen anges på verktygets märkskylt (verktyg med en klassificering på 230V or 240V kan även anslutas till en 220V matning).
- Damm från material som färg som innehåller bly, vissa träslag, mineraler och metall kan vara skadligt (kontakt med eller inandning av damm) kan orsaka allergireaktioner och/eller luftvägssjukdomar hos operatören eller åskådare); bär dammmask och arbeta med en dammsugaranordning när det går att ansluta.

Vissa typer av damm klassificeras som cancerframkallande (som ek och bokdamm) speciellt i kombination med tillsatser för träkonditionering;

bär dammsmask och arbeta med en dammsugaranordning när anslutningsbar

- Följ de dammrelaterade nationella kraven för de material du vill ha att arbeta med.
- Säkra arbetsstycket (ett arbetsstycke fastklämt med spännanordningar resp i ett skruvstycke hålls säkrare än för hand).
- Kläm inte fast verktyget i ett skruvstäd.
- Använd helt utrullade och säkra förlängningsladdar med en kapacitet på 10 ampere.

#### EFTER ANVÄNDNING

- Innan du lägger ner verktyget, stäng av motorn och se till att allt rörliga delar har stannat helt
- Efter att ha stängt av verktyget, stoppa aldrig rotationen av tillbehöret med en lateral kraft applicerad mot den.

#### Korrekt användning av verktyget

Denna slipmaskin är designad för att slipa alla typer av material, t.ex. metaller, trä, sten, plast, etc. med hjälp av slipmedel avsedda för detta ändamål. Använd inte denna slipmaskin för något annat ändamål än det som anges utan att konsultera tillverkaren eller tillverkarens auktoriserade leverantör

#### Arbetsstationer

Verktyget är avsett att användas som ett handhållet verktyg. Det är det alltid rekommenderas att verktyget ska användas när man står på ett fast golv kan vara i vilken position som helst men innan sådan användning måste operatören vara i en säker position, ha ett stadigt grepp och fotfäste och var medveten om att slipmaskinen kan utveckla en vridmomentreaktion. Se avsnittet "Bruksinstruktioner".

#### FÄSTA OCH BYTA SLIPPAPPER

Placera slippappret i mitten av slippattan och tryck på.

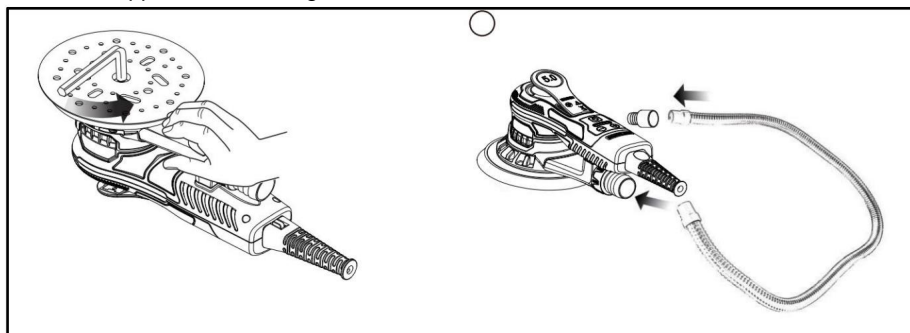
Hålen i slippapperet måste vara i linje med hålen i slippapperet slippatta. Endast för rund slippatta: gör en testkörning för att kontrollera det slipskivan kläms fast i mitten.

## BYTE AV BAKKUDEN

- Vänd på slipmaskinen och placera den på en plan, jämn yta. • Använd S6-nyckeln för att skruva loss skruven i mitten av skivan moturs.
- Ta bort den gamla dynan och byt till den nya. • Dra åt skruven medurs.

## MONTERING AV VAKUUMRÖR

- Välj ena änden av vakuumsröret, ansluten till dammutloppet maskin.
- Välj en annan ände av vakuumsröret, anslut med 35 mm adapter först, sedan kopplad till dammsugaren.



## DRIFTSINSTRUKTIONER

Verktöget är avsett att användas som ett handhållet verktyg. Verktöget kan vara används i vilken position som helst. Notera! Slipmaskinen kan utveckla en vridmomentreaktion när startade. Se till att slipmaskinen är avstängd. Välj ett lämpligt slipmedel och fäst den på stödplattan. Se till att slipmedlet är centrerat på stöddyna. Slå på slipmaskinen genom att trycka på På/Av-knappen, The Sander LED är nu grön.

1. Slipmaskinen kan nu startas genom att trycka på spaken.
2. Hastigheten kan justeras mellan 4 000 rpm och max rpm med justering av spakens läge.

3. Max rpm kan justeras genom att trycka på rpm+eller rpm-,Varje tryckning ökar eller minskar hastigheten med 1 200 rpm tills den når gränserna rpm kan justeras i området 4 000 till 10 000 rpm.
4. Verktyget har två hastighetskontrolllägen. I standardläget är hastigheten kan justeras linjärt genom att ändra spakens läge. I den andra läge förblir hastigheten fast vid det inställda maxvarvtalet när verktyget är körs. När rpm+ och rpm-knapparna trycks ned samtidigt verktyget växlar mellan de två kontrolllägena.
5. Vid slipning, placera alltid verktyget på arbetsytan innan du börjar verktyget. Ta alltid bort verktyget från arbetsytan innan du stannar Detta kommer att förhindra mejsling av arbetsytan på grund av för hög hastighet slipmedel.
6. När slipningen är klar, stäng av slipmaskinen genom att trycka på På/Av-knappen. Slipmaskinens LED är nu släckt.

## FELSÖKNINGSGUIDE

Symptom	Möjlig orsak	Lösning
LED-lampan för slipmaskinen visar normal rpm-och rpm+ nycklar är normala, men omkopplaren fungerar inte	Skadad Hall komponenter.	Skicka tillbaka maskinen till efterförsäljning service, förändras hallkomponenter.
Efter att ha kopplat in, oavsett vad knappen är nedtryckt, lyser LED kommer inte att lysa.	Strömbrytare skadad.	Byt omkopplare komponenter.
LED-lampan tänds inte och maskinen stannar arbetsätt.	Ingångsspänningen är lägre än 170VAC $\pm 10$ VAC, maskinen går in i lågspänning skydd.	Byt till höger ingångsspänning, ovan 180V och lägre 285V.
LED1,LED3,LED5 tänds, Övriga lampor släckta.	Ingångsspänningen är högre än 275VAC $\pm 10$ VAC, maskinen går in högt spänningsskydd.	Byt till höger ingångsspänning, över 180V och under 285V.

LED1, LED6 lyser, annat lyser av.	De tre trådarna i motorn är lös eller bruten.	Skicka tillbaka maskinen till efterförsäljning service för reparation.
-----------------------------------	---	--

## RENGÖRING & FÖRVARING

1. Dra ur nätsladden och se till att produkten är stoppad före rengöring.
2. Torka av med en torr handduk, blöt inte i vätska.
3. Håll alltid verktyg och sladd rena (särskilt ventilationsöppningar).
4. Försök inte rengöra ventilationsöppningar genom att föra in spetsiga föremål genom öppningar.

**TIPS:** Tryckluft kan användas för att rengöra pulvret på ytan av produkten.

5. Koppla alltid ur maskinen före förvaring.
6. Se alltid till att maskinen är rengjord, kyld och torkad innan den sträng.
7. Rengöring och användarunderhåll får inte utföras av barn utan tillsyn.

**Tillverkare:** Shanghaimuxinmuyeyouxiangongsi

**Adress:** Shuangchenglu 803nong11hao1602A-1609shi, baoshanqu, shanghai 200000 CN.

**Importerad till AUS:** SIHAO PTY LTD, 1 ROKEVA STREETEASTWOOD NSW 2122 Australien

**Importerad till USA:** Sanven Technology Ltd., Suite 250, 9166 Anaheim Place, Rancho Cucamonga, CA 91730



E-CrossStu GmbH  
Mainzer Landstr.69, 60329 Frankfurt am Main.



YH CONSULTING LIMITED.  
C/O YH Consulting Limited Office 147, Centurion House,  
London Road, Staines-upon-Thames, Surrey, TW18 4AX

**VEVOR**<sup>®</sup>

**TOUGH TOOLS, HALF PRICE**

**Teknisk support och e-garanticertifikat**

**[www.vevor.com/support](http://www.vevor.com/support)**