



CATALOG OF REPLACEMENT PARTS

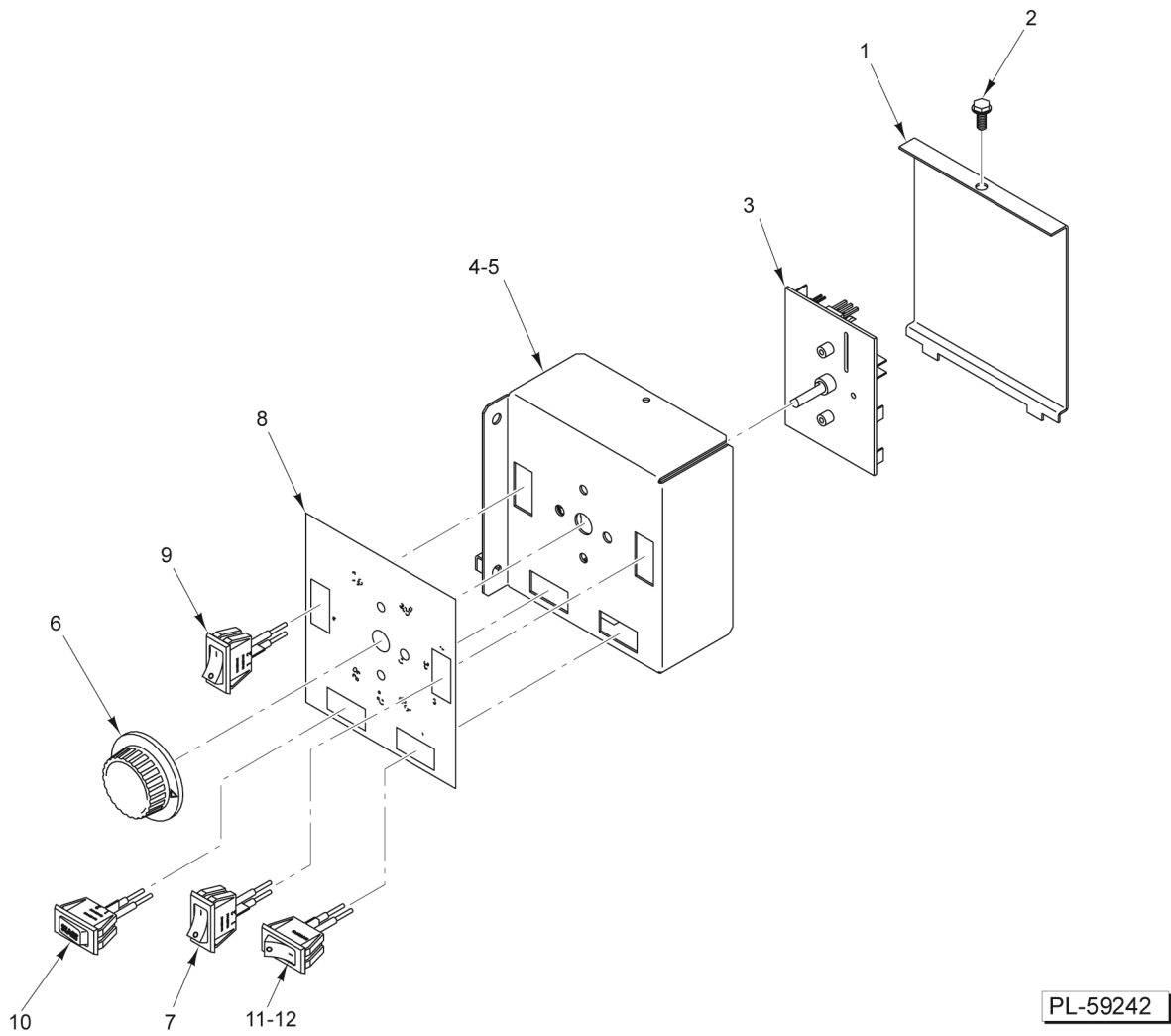
GRA, GRAF, GRBD, & GRBDF
SERIES GAS FRYER



Table of Contents

5	CONTROL BOX
7	POWER SUPPLY BOX
9	BODY UNIT (STAND-ALONE)
11	BODY UNIT (BATTERY)
15	BURNER COMPONENTS (STAND-ALONE)
17	BURNER COMPONENTS (BATTERY)
19	GAS VALVE
21	GAS INLET MANIFOLD
23	TANK AND DRAIN (STAND-ALONE)
25	TANK AND DRAIN (BATTERY)
27	OIL RETURN (BATTERY)
29	FILTER ASSEMBLY
31	BASKETLIFT COMPONENTS (OPTIONAL)
33	RECOMMENDED SPARE PARTS LIST





PL-59242

CONTROL BOX

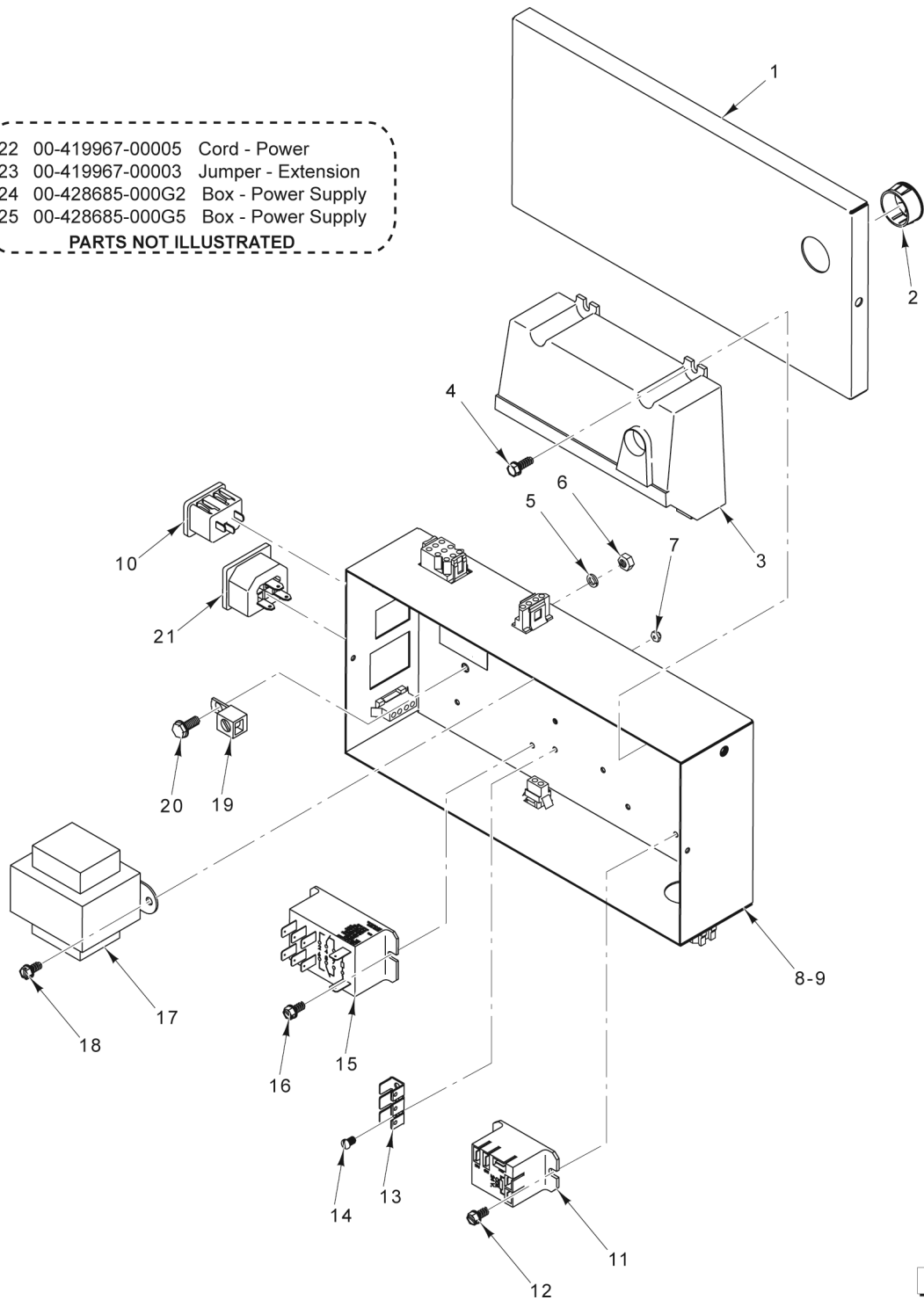


CONTROL BOX

ILLUS.	PART NO.	NAME OF PART	AMT.
	PL-PL-59242		
1	00-957822-00001	Cover - Control Box.....	1
2	SD-032-07	Self-Tapping Screw 10-24 x 1/2 Hex Washer Hd., Type TT.....	1
3	00-956926-000G1	Control Assy. - Behind Door (W/no LED's).....	1
4	00-499716-00001	Plate - Control Mounting (LH).....	1
5	00-499716-00002	Plate - Control Mounting (RH) (2G4, 2G6, 2G8, 3G4, 3G6, 3G8, 4G4, 4G6, & 4G8)	1
6	00-411242-00001	Knob.....	1
7	00-427755-000G1	Switch Assy. - Power.....	1
8	00-956827-00002	Overlay.....	1
9	00-427755-000G1	Switch- Rocker S.P.S.T.....	1
10	00-427755-000G2	Switch Assy. (Start).....	1
11	00-427755-000G1	Switch Assy. - Power (Filter).....	1
12	00-426251-00002	Plug - Switch (Non-Filter).....	1



- 22 00-419967-00005 Cord - Power
 23 00-419967-00003 Jumper - Extension
 24 00-428685-000G2 Box - Power Supply
 25 00-428685-000G5 Box - Power Supply
PARTS NOT ILLUSTRATED



PL-59243

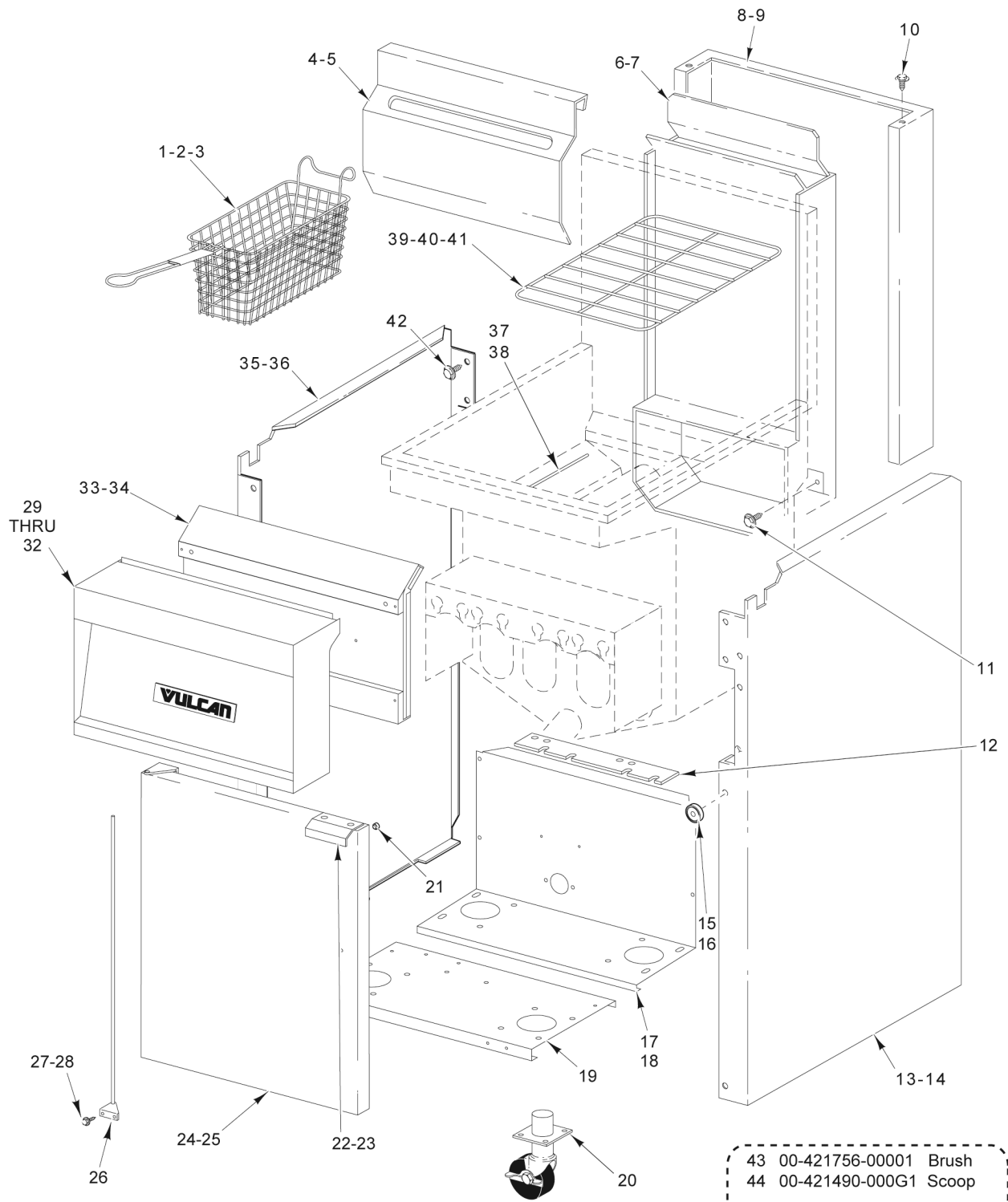
POWER SUPPLY BOX



POWER SUPPLY BOX

ILLUS.	PART NO.	NAME OF PART	AMT.
PL-PL-59243			
1	00-428684-00002	Lid - Power Supply.....	1
2	FE-024-24	Bushing - Electrical Snap.....	1
3	00-857207-00001	Module - Ignition.....	1
4	SD-037-49	Self-Tapping Screw 8-18 x 1/2 Hex Washer Hd., Type AB.....	4
5	WL-004-40	Lockwasher 10 Helical.....	1
6	NS-044-09	Nut Assy. 10-24 Hex KEPS.....	1
7	NS-047-32	Lock Nut 4-40.....	2
8	00-428716-000G1	Box - Power Supply (Filter).....	1
9	00-428716-000G2	Box - Power Supply (120 V.) (Non-Filter).....	1
10	00-419973-000G1	Receptacle - Male Power.....	1
11	00-497125-00001	Relay (SPDT, 24 VAC) (Battery Units) (Filter).....	1
12	SD-036-03	Self-Tapping Screw 8-18 x 3/8 Hex Washer Hd., Type AB.....	2
13	00-419317	Lug - Terminal.....	1
14	SC-060-23	Mach. Screw 4-40 x 1/4 Slotted Rd. Hd.....	2
15	00-428864-00001	Relay (Battery Units).....	1
16	SD-036-03	Self-Tapping Screw 8-18 x 3/8 Hex Washer Hd., Type AB.....	2
17	00-411500-00012	Transformer (120 VAC, 24 V., 40 VA).....	1
18	SD-036-03	2
19	00-417856-00001	Lug - Ground.....	1
20	SD-032-07	Self-Tapping Screw 10-24 x 1/2 Hex Washer Hd., Type TT.....	1
21	00-419973-000G2	Receptacle - Female Power (Battery Units).....	1
22	00-419967-00005	Cord - Power Supply (84 In.).....	1
23	00-419967-00003	Jumper - Extension (24-1/2 In.).....	1
24	00-428685-000G2	Box - Power Supply (With Filtration) (Incls. Items 1 thru 8 & 10 thru 21).....	1
25	00-428685-000G5	Box - Power Supply (Without Filtration) (Incls. Items 1 thru 7 & 9 thru 21).....	1





PL-59244

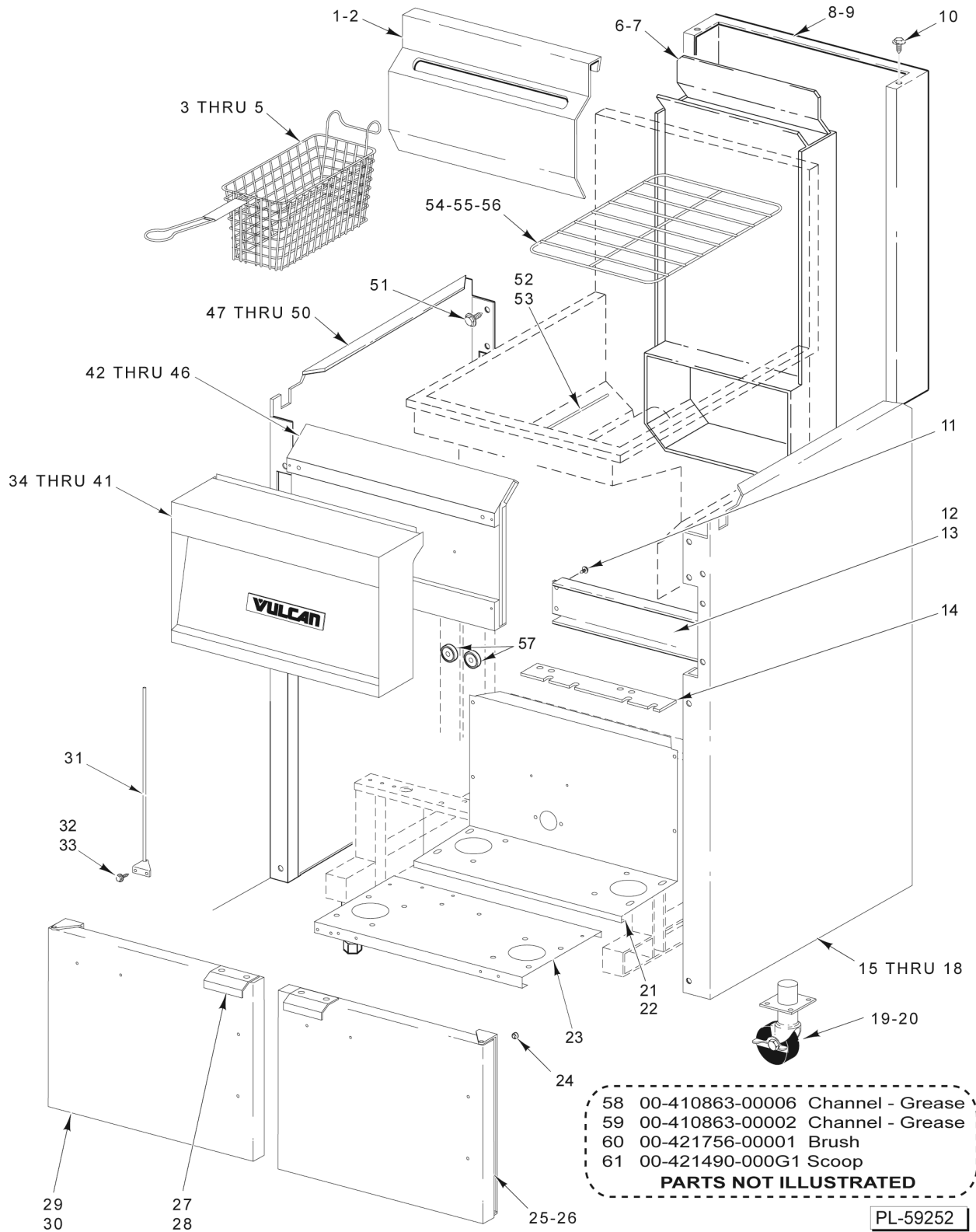
BODY UNIT (STAND-ALONE)



BODY UNIT (STAND-ALONE)

ILLUS.	PART NO.	NAME OF PART	AMT.
PL-PL-59244			
1	00-499223-00001	Basket - Twin (1G4).....	2
2	00-499223-00002	Basket - Twin (1G6).....	2
3	00-499223-00003	Basket - Twin (1G8).....	1
4	00-417056-00002	Hanger - Basket (1G4).....	2
5	00-418321-00002	Hanger - Basket (1G6 & 1G8).....	2
6	00-418201-000G2	Flue Assy. (4 Tube) (1G4).....	1
7	00-418205-000G2	Flue Assy. (5 Tube) (1G6 & 1G8).....	1
8	00-416959-00002	Wrap - Flue (4 Tube) (1G4).....	1
9	00-418336-00002	Wrap - Flue (5 Tube) (1G6 & 1G8).....	1
10	SD-032-07	Self-Tapping Screw 10-24 x 1/2 Hex Washer Hd., Type TT.....	2
11	SD-037-70	Self-Tapping Screw 1/4-20 x 1/2 Hex Washer Hd., Type TT.....	4
12	00-428688-00001	Bracket - Power Supply Mounting.....	1
13	00-419648-00002	Body - RH Side (SST) (1G4 & 1G6).....	1
14	00-420596-00004	Body - RH Side (SST) (1G8).....	1
15	RS-033-04	Rivet - Pop.....	1
16	00-497296-000G1	Magnet Assy.....	1
17	00-497428-00001	Body - Bottom (1G4).....	1
18	00-497428-00003	Body - Bottom (1G6).....	1
19	00-497428-00004	Body - Bottom (1G8).....	1
20	00-421893-00001	Caster (W/Mount Plate) (Set).....	1
21	00-420769-00001	Bumper - Rubber.....	1
22	00-419653	Handle - Door.....	1
23	RS-033-04	Rivet - Pop.....	2
24	00-499487-000G1	Door Assy. (LH) (1G4).....	1
25	00-499487-000G5	Door Assy. (LH) (1G6 & 1G8).....	1
26	00-428023-000G2	Hinge Assy. (LH Door).....	1
27	SD-032-07	Self-Tapping Screw 10-24 x 1/2 Hex Washer Hd., Type TT.....	1
28	NS-044-09	Nut Assy. 10-24 Hex KEPS.....	1
29	00-428116-000G1	Frame - Front Assy. (1G4).....	1
30	00-428116-000G2	Frame - Front Assy. (1G6 & 1G8).....	1
31	00-417700-00002	Nameplate (6 In.).....	1
32	NS-047-79	Lock Nut 3/16.....	2
33	00-418379-000G1	Heat Shield (1G4).....	1
34	00-418324-000G1	Heat Shield (1G6 & 1G8).....	1
35	00-419648-00001	Body - LH Side (SST) (1G4 & 1G6).....	1
36	00-420596-00003	Body - LH Side (SST) (1G8).....	1
37	00-419379-00001	Probe - Thermistor.....	1
38	00-419592-00001	Clip - Thermistor Probe.....	1
39	00-427883-00002	Screen - Basket Support (1G4).....	1
40	00-427883-00003	Screen - Basket Support (1G6).....	1
41	00-427883-00004	Screen - Basket Support (1G8).....	1
42	SD-037-49	Self-Tapping Screw 8-18 x 1/2 Hex Washer Hd., Type AB.....	AR
43	00-421756-00001	Brush - Fryer Cleaning.....	1
44	00-421490-000G1	Scoop.....	1





BODY UNIT (BATTERY)



BODY UNIT (BATTERY)

ILLUS.	PART NO.	NAME OF PART	AMT.
PL-PL-59252			
1	00-417056-00002	Hanger - Basket (2G4, 3G4, 4G4, & 2XG4).....	2
2	00-418321-00002	Hanger - Basket (2G6, 2G8, 3G6, 3G8, 4G6, 4G8, 2XG6, & 2XG8).....	2
3	00-499223-00001	Basket - Twin (2G4, 3G4, 4G4, & 2XG4).....	AR
4	00-499223-00002	Basket - Twin (2G6, 3G6, 4G6, & 2XG6).....	AR
5	00-499223-00003	Basket - Twin (2G8, 3G8, 4G8, & 2XG8).....	AR
6	00-418201-000G2	Flue Assy. (4 Tube) (2G4, 3G4, 4G4, & 2XG4).....	1
7	00-418205-000G2	Flue Assy. (5 Tube) (2G6, 2G8, 3G6, 3G8, 4G6, 2XG6, 2XG8, & 4G8).....	1
8	00-416959-00002	Flue - Wrap (SST) (2G4, 3G4, 4G4, & 2XG4).....	2
9	00-418336-00002	Flue - Wrap (SST) (2G6, 2G8, 3G6, 3G8, 4G6, 4G8, 2XG6, & 2XG8).....	2
10	SD-032-07	Self-Tapping Screw 10-24 x 1/2 Hex Washer Hd., Type TT.....	2
11	SD-032-07	Self-Tapping Screw 10-24 x 1/2 Hex Washer Hd., Type TT.....	2
12	00-428699-00002	Brace - Rear (2TG4, 3G4, 4G4, & 2XG4).....	1
13	00-428749-00002	NLA - Obsolete--Brace - Rear (2G6, 2G8, 3G6, 3G8, 4G6, 4G8, 2XG6, & 2XG8).....	1
14	00-428688-00001	Bracket - Power Supply Mounting.....	1
15	00-419777-00004	Body - Side (SST) (2G8, 3G8, & 2XG8).....	1
16	00-417711-00002	Body - RH Side (SST) (2G4, 2G6, 3G4, 3G6, 2XG4, & 2XG6).....	1
17	00-419648-00002	Body - RH Side (SST) (4G4 & 2XG4).....	1
18	00-420596-00004	Body - Side (SST) (RH) (4G8).....	1
19	00-418907-00001	Caster - Swivel Assy. (Adjustable).....	2
20	00-418907-00003	Caster.....	2
21	00-497428-00001	Body - Bottom (3G4 & 4G4).....	1
22	00-497428-00003	Body - Bottom (3G6 & 4G6).....	1
23	00-497428-00004	Body - Bottom (3G8 & 2XG4).....	1
24	00-420769-00001	Bumper - Rubber.....	1
25	00-499487-000G8	Door Assy. (RH) (2G6, 2G8, 3G6, 3G8, 4G6, 4G8, 2XG6, & 2XG8).....	1
26	00-499487-000G4	Door Assy. (RH) (2G4, 3G4, 4G4, & 2XG4).....	1
27	00-419653	Handle.....	2
28	RS-033-04	Rivet - Pop.....	4
29	00-499487-000G7	Door Assy. (LH) (2G6, 2G8, 3G6, 3G8, 4G6, 4G8, 2XG6, & 2XG8).....	1
30	00-499487-000G3	Door Assy. (LH) (2G4, 3G4, 4G4, & 2XG4).....	1
31	00-428023-000G2	Hinge Assy. (LH Door).....	2
32	SD-032-07	Self-Tapping Screw 10-24 x 1/2 Hex Washer Hd., Type TT.....	4
33	NS-044-09	Nut Assy. 10-24 Hex KEPS.....	4
34	00-428116-000G3	Frame - Front Assy. (2G4 & 2XG4) (2 Unit).....	1
35	00-428116-000G4	Frame - Front Assy. (2G6, 2G8, & 2XG8) (2 Unit).....	1
36	00-428116-000G5	Frame - Front Assy. (3G4) (3 Unit).....	1
37	00-428116-000G6	Frame - Front Assy. (3G6 & 3G8) (3 Unit).....	1
38	00-428116-000G7	Frame - Front Assy. (4G4) (4 Unit).....	1
39	00-428116-00G12	Frame - Front Assy. (4G6 & 4G8) (4 Unit).....	1
40	00-426806-000G5	Frame - Front Assy. (2XG8) (2 Unit).....	1
41	00-417700-00002	Nameplate (6 In.).....	1
42	00-418379-000G1	Heat Shield (2G4, 3G4, 4G4, & 2XG4).....	1
43	00-418324-000G1	Heat Shield (2G6, 2G8, 3G6, 3G8, 4G6, 4G8, 2XG6, & 2XG8).....	1
44	00-418322-00001	Heat Shield (2XG6 & 2XG8).....	1
45	00-428548-00002	Heat Shield (5 Tube) (2XG8).....	1
46	00-417037-00001	NLA - Obsolete--Shield - Heat (2XG4).....	1
47	00-419777-00003	Body - Side (SST) (2G8 & 2XG8).....	1
48	00-417711-00001	Body - LH Side (SST) (2G4, 2G6, 2XG4, & 2XG6).....	1
49	00-420596-00003	Body - LH Side (SST) (NFR) (3G8 & 4G8).....	1
50	00-419648-00001	Body - LH Side (SST) (HG45/65DF & HG45/65CF) Body - LH Side (SST) (3G4, 3G6, 4G4, & 4G6).....	1
51	SD-036-03	Self-Tapping Screw 8-18 x 3/8 Hex Washer Hd., Type AB.....	AR
52	00-419379-00001	Probe - Thermistor.....	1
53	00-419592-00001	Clip - Thermistor Probe.....	1
54	00-427883-00002	Rack - Basket Support (2G4, 3G4, 4G4, & 2XG4).....	2
55	00-427883-00003	Rack - Basket Support (2G6, 3G6, 4G6, 2XG6).....	2



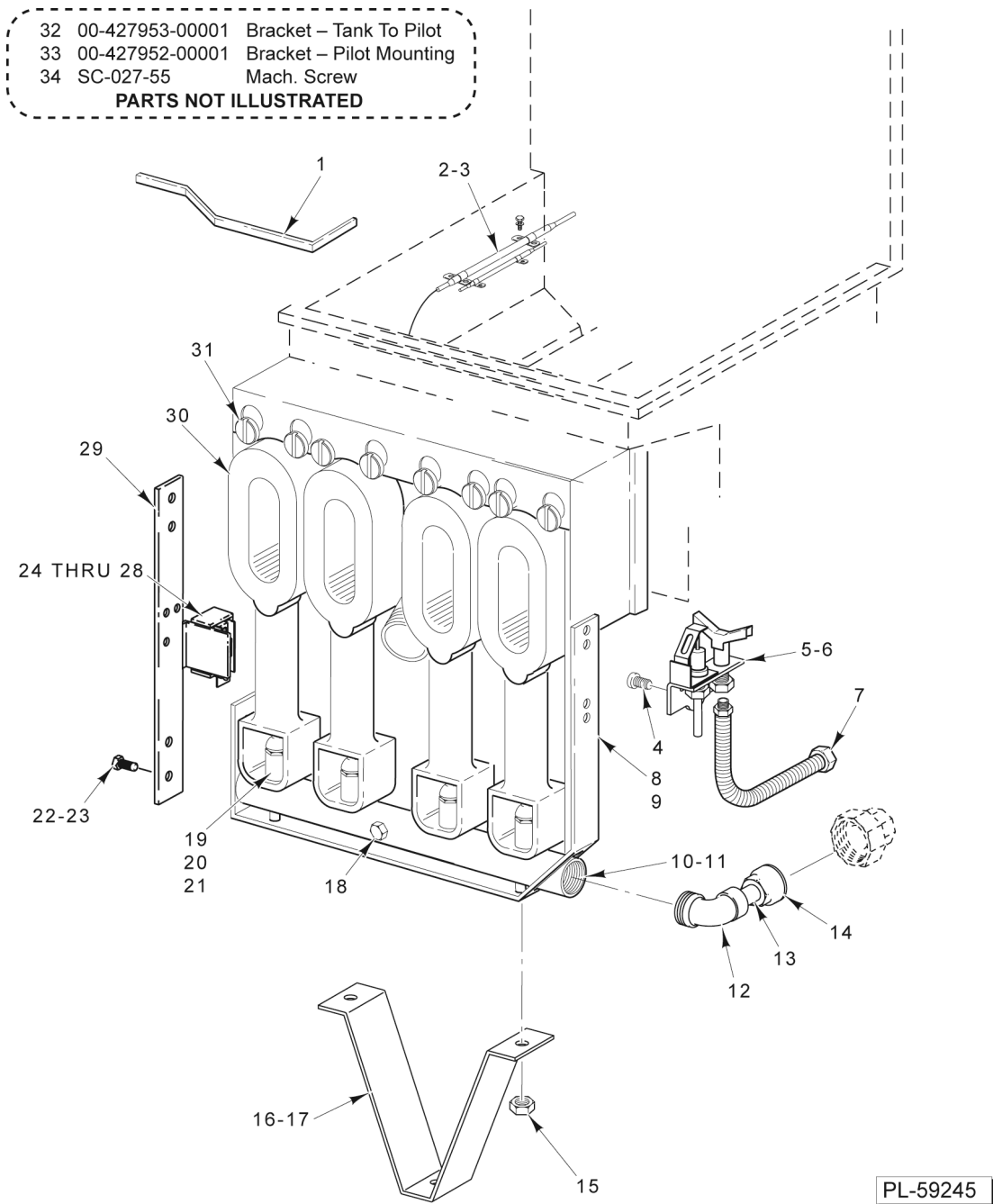
BODY UNIT (BATTERY)

ILLUS.	PART NO.	NAME OF PART	AMT.
PL-PL-59252			
56	00-427883-00004	Rack - Basket Support (2G8, 3G8, 4G8, & 2XG8).....	2
57	00-497296-000G1	Magnet Assy.....	2
58	00-410863-00006	Strip - Grease (2G8, 3G6, 3G8, 4G6, 4G8, & 2XG8).....	1
59	00-410863-00002	Strip - Grease (2G4, 2G6, 3G4, 4G4, 2XG4, & 2XG6).....	1
60	00-421756-00001	Brush - Fryer Cleaning.....	1
61	00-421490-000G1	Scoop.....	1



NOTES





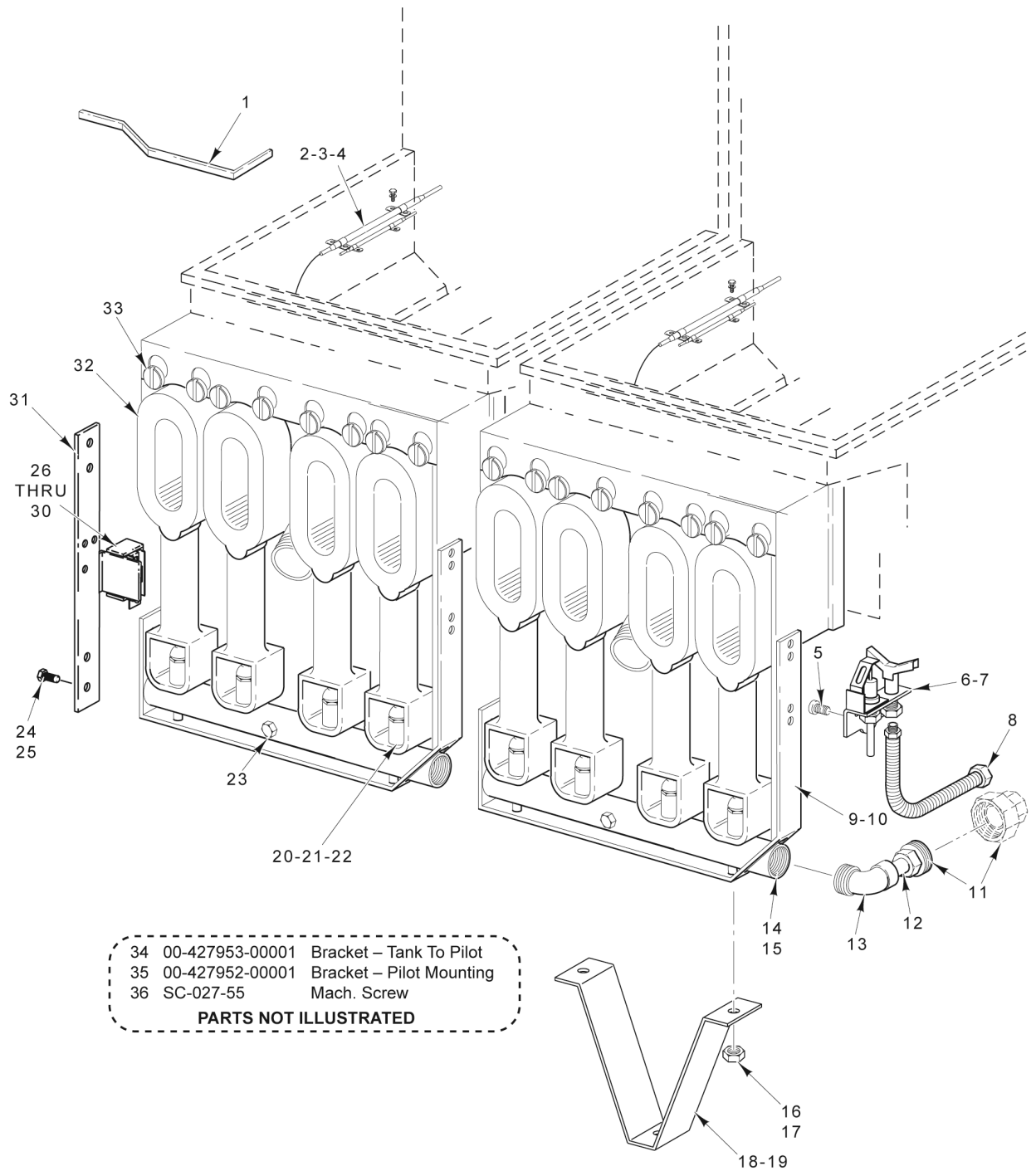
BURNER COMPONENTS (STAND-ALONE)



BURNER COMPONENTS (STAND-ALONE)

ILLUS.	PART NO.	NAME OF PART	AMT.
PL-PL-59245			
1	00-409300-00005	Rod - Clean-Out.....	1
2	00-417522-00003	Clip - Capillary.....	2
3	SD-035-02	Self-Tapping Screw 8-18 x 3/8 Hex Washer Hd., Type AB.....	4
4	SC-018-32	Mach. Screw 8-32 x 3/8 Slotted Pan Hd.....	2
5	00-419316-00001	Pilot (Nat. Gas) (W/Electronic Ignition).....	1
6	00-419316-00002	Pilot (L.P. Gas) (W/Electronic Ignition).....	1
7	00-426505-00023	Tube - Flex 1/4 O.D. x 23 In. Lg.....	1
8	00-418211-00001	Hanger - Manifold (1G4).....	1
9	00-418317-00001	Hanger -Manifold (1G6 & 1G8).....	1
10	00-418212-00001	Manifold - Burner (1G4).....	1
11	00-418318-00001	Manifold - Burner (1G6 & 1G8).....	1
12	FP-086-74	Elbow - Pipe 1/2 x 90 Deg.....	1
13	FP-059-01	Pipe 1/2 x 1 3/4 TBE.....	1
14	FP-022-11	Union - Pipe.....	1
15	NS-047-72	Lock Nut 1/4-20.....	2
16	00-420561-00001	Bracket - Support (1G4).....	1
17	00-420562-00001	Bracket - Support (1G6 & 1G8).....	1
18	FP-085-53	Pipe Plug 1/8.....	1
19	00-010901-00039	Orifice - Spud (NAT Gas) (Sea Level - 2000 Ft.).....	AR
20	00-010901-00052	Orifice - Spud (LP Gas) (Sea Level - 3499 Ft.) Orifice - Spud (LP Gas) (Sea Level - 3499 Ft.).....	AR
21	00-410695-00001	Extension - Orifice.....	AR
22	SD-037-70	Self-Tapping Screw 1/4-20 x 1/2 Hex Washer Hd., Type TT.....	AR
23	NS-046-52	Nut Assy. 1/4-20 Hex.....	AR
24	00-419548	Bracket - Hi-Limit.....	1
25	SD-037-70	Self-Tapping Screw 1/4-20 x 1/2 Hex Washer Hd., Type TT.....	4
26	NS-046-52	Nut Assy. 1/4-20 Hex.....	4
27	SD-036-80	Self-Tapping Screw 8-32 x 3/8 Hex Washer Hd., Type TT.....	2
28	00-410840-00002	Box - Control With Stuffing.....	1
29	00-417714-00001	Extension - Hanger.....	1
30	00-410681-00001	Burner.....	AR
31	00-428035-00001	Bolt - Shoulder.....	AR
32	00-427953-00001	Bracket - Tank To Pilot.....	1
33	00-427952-00001	Bracket - Pilot Mounting.....	1
34	SC-027-55	Mach. Screw 10-32 x 1/4 Slotted Rd. Hd. (Brass).....	2





PL-59246

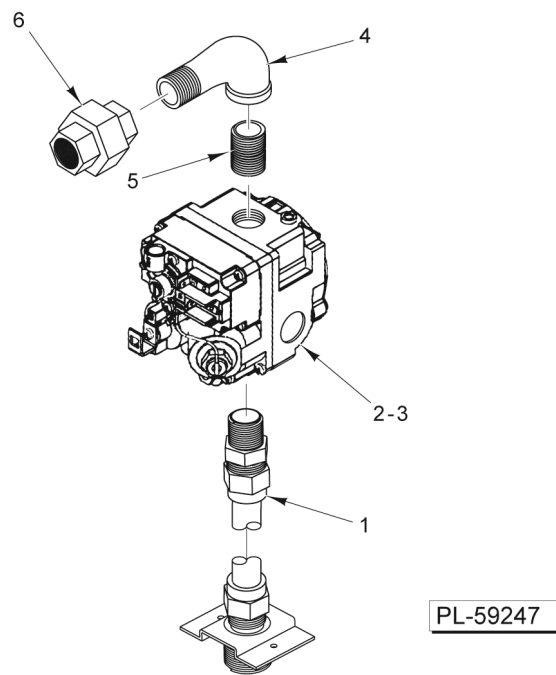
BURNER COMPONENTS (BATTERY)



BURNER COMPONENTS (BATTERY)

ILLUS.	PART NO.	NAME OF PART	AMT.
PL-PL-59246			
1	00-409300-00005	Rod - Clean-Out.....	1
2	00-402558-00005	Clamp.....	2
3	00-417522-00003	Clip - Capillary.....	2
4	SD-035-02	Self-Tapping Screw 8-18 x 3/8 Hex Washer Hd., Type AB.....	4
5	SC-018-32	Mach. Screw 8-32 x 3/8 Slotted Pan Hd.....	2
6	00-419316-00001	Pilot (Nat. Gas) (W/Electronic Ignition).....	1
7	00-419316-00002	Pilot (L.P. Gas) (W/Electronic Ignition).....	1
8	00-426505-00023	Tube - Flex 1/4 O.D. x 23 In. Lg.....	1
9	00-418211-00001	Hanger - Manifold (2G4, 3G4, 4G4, & 2XG4).....	1
10	00-418317-00001	Hanger - Manifold (5 Tube) (2G6, 2G8, 3G6, 3G8, 4G6, 4G8, 2XG6, & 2XG8).....	1
11	FP-022-11	Union - Pipe.....	AR
12	FP-059-01	Pipe 1/2 x 1 3/4 TBE.....	1
13	FP-086-74	Elbow - Street 1/2 x 90 Deg. (Brass).....	1
14	00-418212-00001	Manifold - Burner (2G4, 3G4, 4G4, & 2XG4).....	1
15	00-418318-00001	Manifold - Burner (2G6, 2G8, 3G6, 3G8, 4G6, 4G8, 2XG6, & 2XG8).....	1
16	NS-047-72	Lock Nut 1/4-20.....	2
17	NS-046-52	Nut Assy. 1/4-20 Hex.....	2
18	00-420561-00001	Bracket - Support (3G4 & 4G4).....	1
19	00-420562-00001	Bracket - Support (3G6, 3G8, 4G6, & 4G8).....	1
20	00-010901-00039	Orifice - Spud (NAT Gas) (Sea Level - 2000 Ft.).....	AR
21	00-010901-00052	Orifice - Spud (LP Gas) (Sea Level -3499 Ft.).....	AR
22	00-410695-00001	Extension - Orifice.....	AR
23	FP-085-53	Pipe Plug 1/8.....	1
24	SD-037-70	Self-Tapping Screw 1/4-20 x 1/2 Hex Washer Hd., Type TT.....	AR
25	NS-046-52	Nut Assy. 1/4-20 Hex.....	AR
26	00-419548	Bracket - Hi-Limit.....	1
27	SD-037-70	Self-Tapping Screw 1/4-20 x 1/2 Hex Washer Hd., Type TT.....	4
28	NS-046-52	Nut Assy. 1/4-20 Hex.....	4
29	SD-036-80	Self-Tapping Screw 8-32 x 3/8 Hex Washer Hd., Type TT.....	2
30	00-410840-00002	Box - Control With Stuffing.....	1
31	00-417714-00001	Extension - Hanger.....	1
33	00-410681-00001	Burner.....	AR
34	00-428035-00001	Bolt - Shoulder.....	AR
35	00-427953-00001	Bracket - Tank To Pilot.....	1
36	00-427952-00001	Bracket - Pilot Mounting.....	1
37	SC-027-55	Mach. Screw 10-32 x 1/4 Slotted Rd. Hd. (Brass).....	2





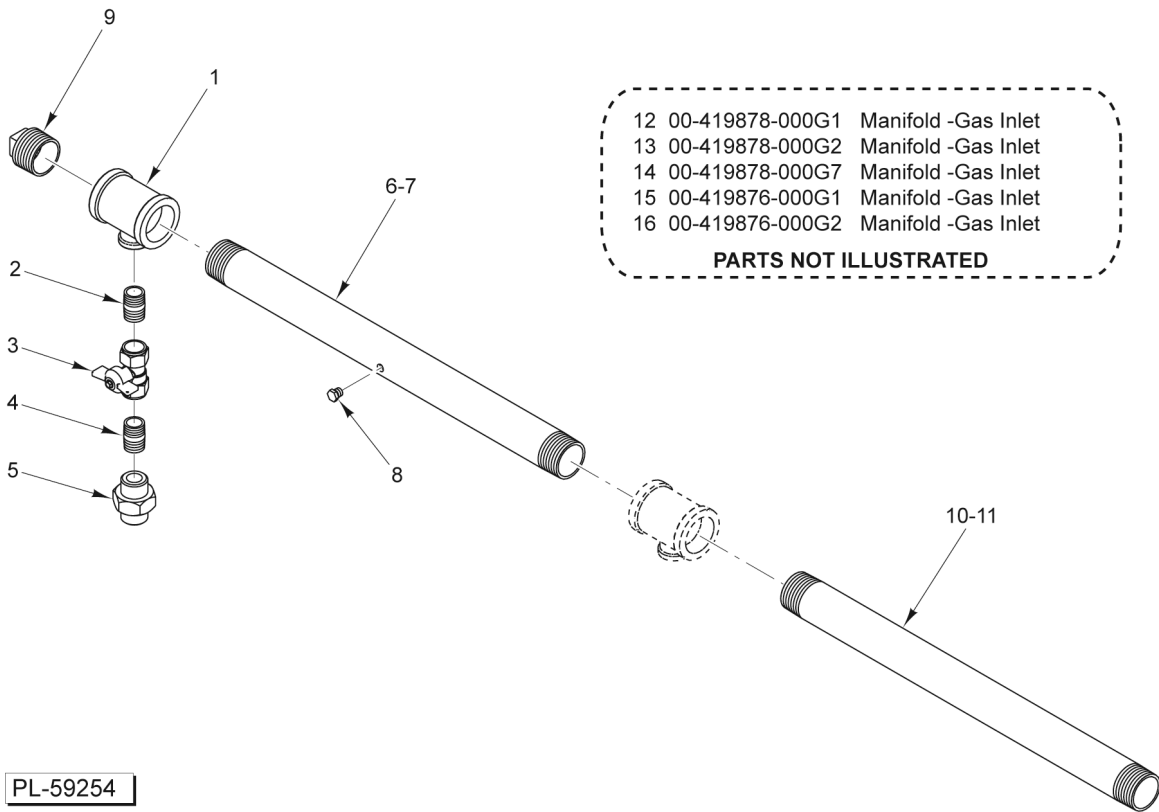
GAS VALVE



GAS VALVE

ILLUS.	PART NO.	NAME OF PART	AMT.
PL-PL-59247			
1	00-427882-000G3	Tube - Flex (Gas Inlet).....	1
2	00-410841-00028	Valve - Combination (NAT) (Electronic Ignition).....	1
3	00-410841-00029	Valve - Combination (LP) (Electronic Ignition).....	1
4	FP-013-17	Elbow - Street 1/2 x 90 Deg.....	1
5	FP-035-95	Pipe 1/2 x 2 TBE.....	1
6	FP-022-11	Union - Pipe.....	1





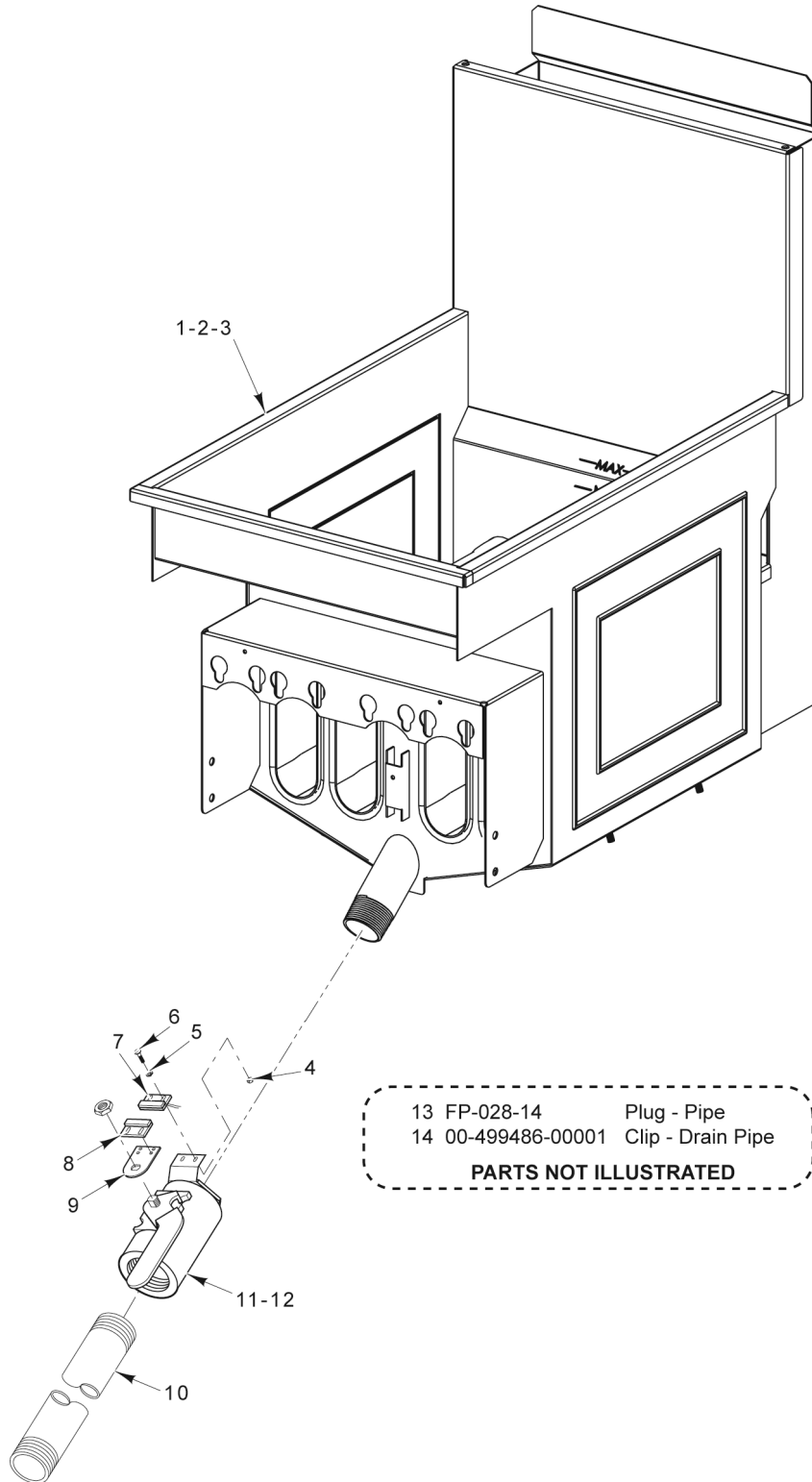
GAS INLET MANIFOLD



GAS INLET MANIFOLD

ILLUS.	PART NO.	NAME OF PART	AMT.
PL-PL-59254			
1	FP-090-80	Tee 1-1/4 x 1-1/4 x 1/2.....	AR
2	FP-035-91	Pipe 1/2 x 1-1/8 TBE.....	AR
3	00-428472-00001	Valve - Ball.....	AR
4	FP-035-91	Pipe 1/2 x 1-1/8 TBE.....	AR
5	FP-022-11	Union - Pipe.....	AR
6	00-957744-00001	Pipe - Rear Gas (With Tap) (2G4, 3G4, & 4G4).....	AR
7	00-957744-00002	Pipe - Rear Gas (With Tap) (3G6 & 3G8).....	AR
8	FP-085-53	Pipe Plug 1/8 (SST).....	AR
9	FP-028-26	Pipe Plug 1-1/4 Sq. Hd.....	AR
10	00-957744-00004	Pipe - Rear Gas (Without Tap) (3G4 & 4G4).....	AR
11	00-957744-00003	Pipe - Rear Gas (Without Tap) (3G6 & 3G8).....	AR
12	00-419878-000G1	Manifold - Gas Inlet (2G4) (Incls. Items 1 thru 6, 8, & 9).....	1
13	00-419878-000G2	Manifold - Gas Inlet (3G4) (Incls. Items 1 thru 6, 8, 9, & 10).....	1
14	00-419878-000G7	Manifold - Gas Inlet (4G4) (Incls. Items 1 thru 6, 8, 9, & 10).....	1
15	00-419876-000G1	Manifold - Gas Inlet (2G6, 2G8, 4G6, & 4G8) (Incls. Items 1 thru 5, 7, 8, & 9).....	1
16	00-419876-000G2	Manifold - Gas Inlet (3G6 & 3G8) (Incls. Items 1 thru 5, 7, 8, 9, & 11).....	1





PL-59248

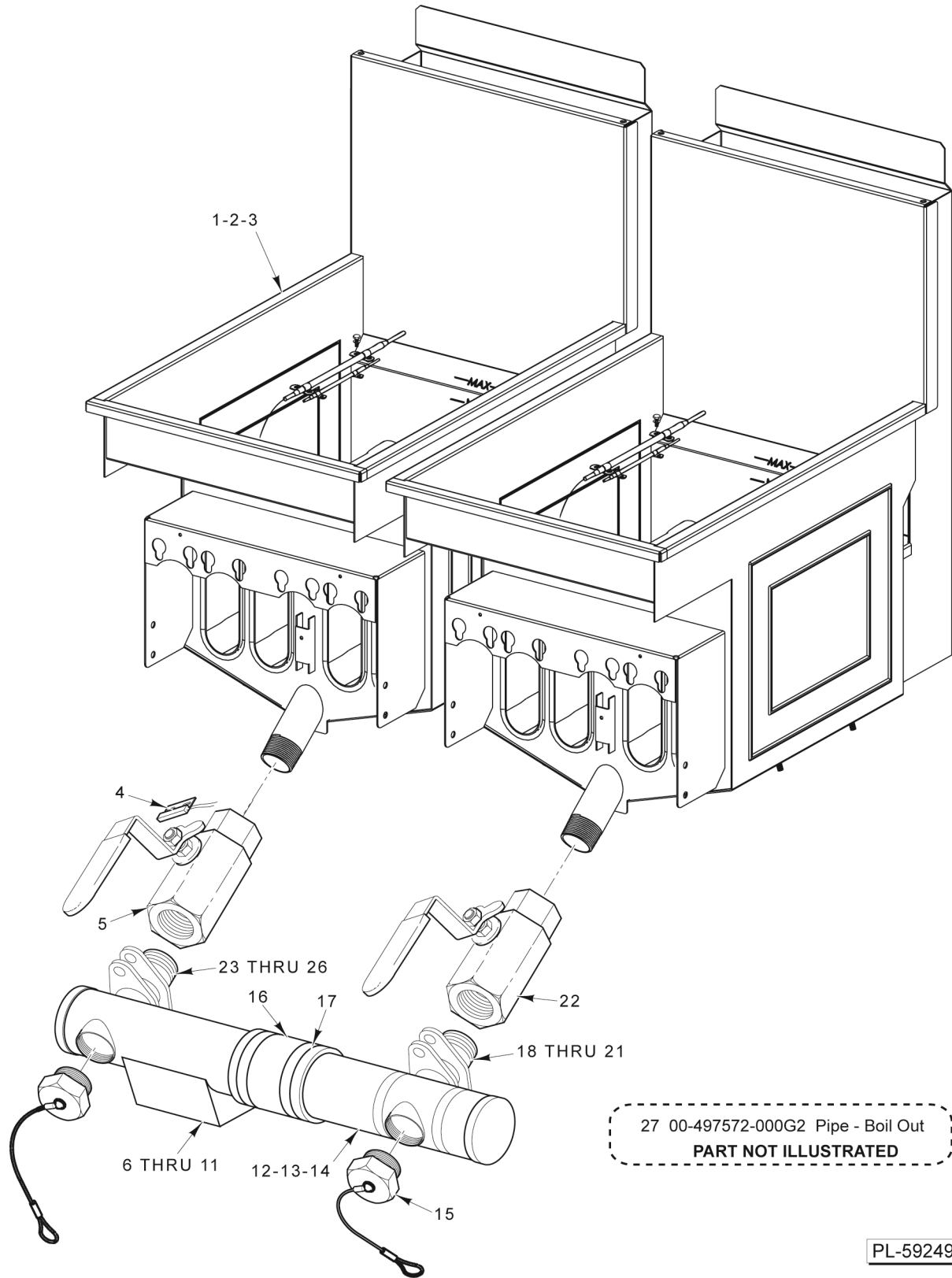
TANK AND DRAIN (STAND-ALONE)



TANK AND DRAIN (STAND-ALONE)

ILLUS.	PART NO.	NAME OF PART	AMT.
PL-PL-59248			
1	00-499701-000G2	Tank Assy. (1G4) (SST).....	1
2	00-499702-000G2	Tank Assy. (1G6) (SST).....	1
3	00-499703-000G2	Tank Assy. (1G8) (SST).....	1
4	NS-044-01	Nut Assy. 4-40 KEPS.....	4
5	WL-003-03	Lockwasher #4 Helical.....	4
6	SC-018-55	Mach. Screw 4-40 x 1/2 Phil. Pan Hd.....	4
7	00-426805-000G1	Switch Assy.....	1
8	00-426801-00002	Switch - Mounted.....	1
9	00-426798-00001	Plate - Switch.....	1
10	FP-085-74	Pipe 1-1/4 x 63/4.....	1
11	00-426803-000G8	Valve - Drain Assy. (1-1/4) (LH) (With Magnet).....	1
12	00-426803-000G9	Valve - Drain Assy. (1-1/4) (RH) (With Magnet).....	1
13	FP-028-14	Pipe - Plug 1/2 Sq. Hd.....	1
14	00-499486-00001	Clip - Drain Pipe.....	1





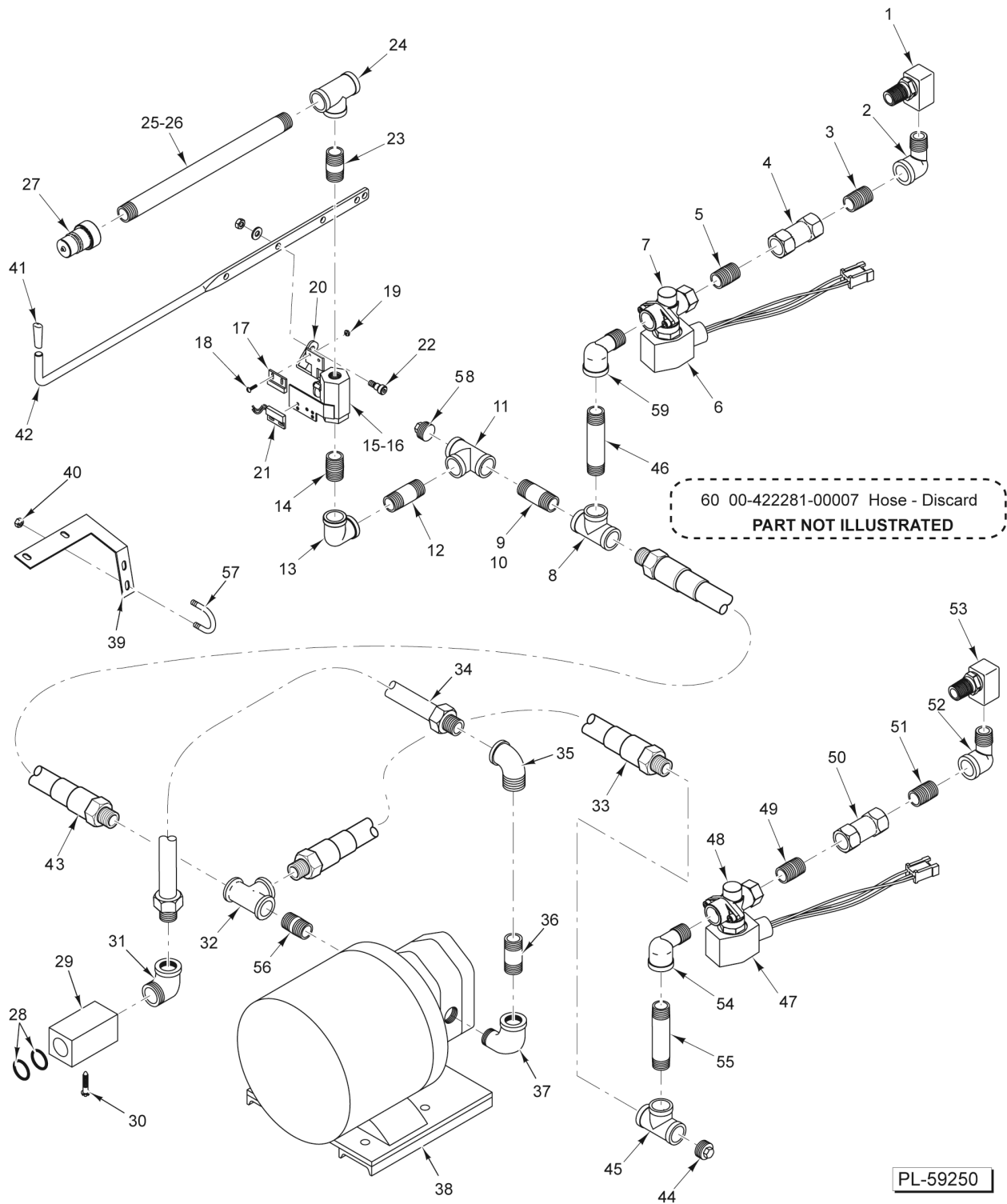
TANK AND DRAIN (BATTERY)



TANK AND DRAIN (BATTERY)

ILLUS.	PART NO.	NAME OF PART	AMT.
PL-PL-59249			
1	00-499701-000G2	Tank Assy. (SST) (2G4, 3G4, 4G4, & 2XG4).....	1
2	00-499702-000G2	Tank Assy. (SST) (2G6, 3G6, 4G6, & 2XG6).....	1
3	00-499703-000G2	Tank - Fry (2G6, 3G8, 4G8, & 2XG8).....	1
4	00-426805-000G1	Switch Assy. (Drain Valve Interlock).....	1
5	00-426803-000G8	Valve - Drain Assy. (LH) (1-1/4) (With Magnet) (2G4, 2G6, 2G8, 3G4, 3G6, 3G8, 4G4, 4G6, & 4G8).....	1
6	00-497567-000G1	Pipe - Drain (LH) With Spout (2G4).....	1
7	00-497567-000G2	Pipe - Drain (LH) With Spout (2G6 & 2G8).....	1
8	00-497569-000G1	Pipe - Drain (Center) With Spout (3G4 & 4G4).....	1
9	00-497569-000G2	Pipe - Drain With Spout (3G6, 3G8, 4G6, & 4G8).....	1
10	00-497568-000G1	Pipe - Drain (Center) (4G4).....	1
11	00-497568-000G2	Pipe - Drain (Center) (4G6 & 4G8).....	1
12	00-497566-000G1	Pipe - Drain (End) (45 Lbs.) (2G4, 3G4, & 4G4).....	1
13	00-497566-000G3	Pipe - Drain (RH) (65/85 Lbs.) (2G6, 2G8, 3G6, 3G8, 4G6, & 4G8).....	1
14	00-497566-000G2	Pipe - End Section (LH) (5 Tube) (3G6, 3G8, 4G6, & 4G8).....	1
15	00-497571-000G1	Plug - Drain.....	2
16	00-419351-00001	Hose - Connect (2G4, 2G6, 2G8, 3G4, 3G6, 3G8, 4G4, 4G6, & 4G8).....	AR
17	00-497409-00001	Clamp - Drain Tube.....	AR
18	00-420726-00001	Flange - Pipe (1 1/4 In.).....	1
19	00-420553-00002	Gasket - Silicone.....	1
20	FP-090-69	Pipe 1 1/4 x 1 TBE.....	1
21	SC-036-13	Cap Screw 1/4-20 x 3/4 Hex Hd.....	2
22	00-426803-000G9	Valve - Drain Assy. (1-1/4) (RH) (With Magnet).....	1
23	00-420553-00002	Gasket - Silicone.....	1
24	00-420726-00001	Flange - Pipe (1 1/4 In.).....	1
25	FP-090-69	Pipe 1 1/4 x 1 TBE.....	1
26	SC-036-13	Cap Screw 1/4-20 x 3/4 Hex Hd.....	2
27	00-497572-000G2	Pipe - Boil Out Bypass (With Hose Fitting).....	1





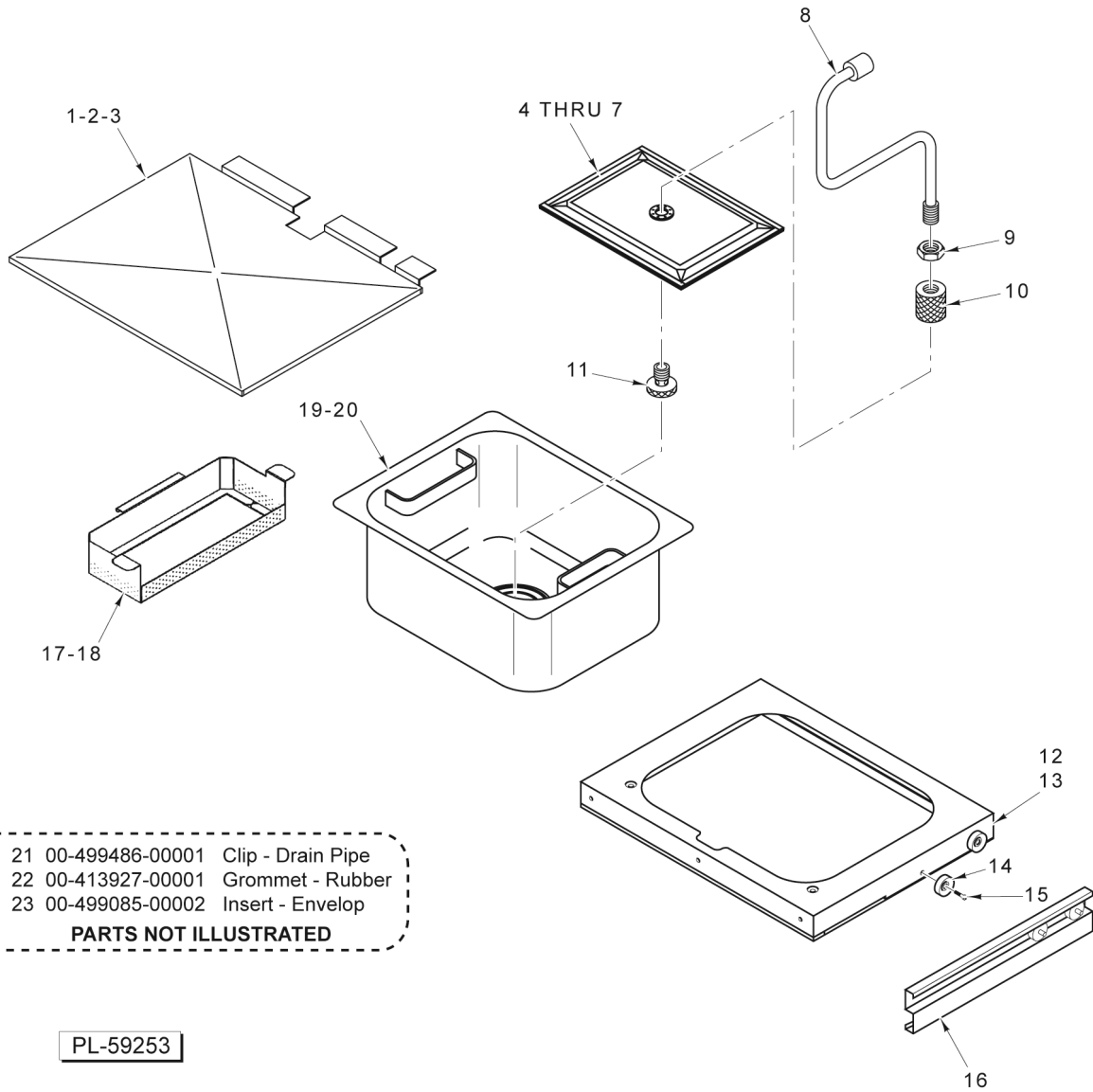
OIL RETURN (BATTERY)



OIL RETURN (BATTERY)

ILLUS.	PART NO.	NAME OF PART	AMT.
PL-PL-59250			
1	00-419251-00001	Fitting - 90 Deg. Swivel.....	1
2	FP-013-17	Elbow - Street 1/2 x 90 Deg.....	1
3	FP-035-91	Pipe 1/2 x 1-1/8 TBE.....	1
4	00-418786-00001	Valve - Check.....	1
5	FP-035-91	Pipe 1/2 x 1-1/8 TBE.....	1
6	00-428691-00002	Valve - Solenoid (120 V.).....	1
7	FP-035-91	Pipe 1/2 x 1-1/8 TBE.....	1
8	FP-019-25	Tee 1/2 x 1/2 x 1/2.....	1
9	FP-035-95	Pipe 1/2 x 2 TBE (2G4, 3G4, 4G4, & 2XG4).....	1
10	FP-059-63	Pipe 1/2 x 6 TBE (2G6, 2G8, 3G6, 3G8, 4G6, 4G8, 2XG6, & 2XG8).....	1
11	FP-019-25	Tee 1/2 x 1/2 x 1/2.....	1
12	FP-035-95	Pipe 1/2 x 2 TBE.....	1
13	FP-077-68	Elbow 1/2 x 90 Deg.....	1
14	FP-035-91	Pipe 1/2 x 1-1/8 TBE.....	1
15	00-428694-000G1	Valve - Discard (LH) (Incls. Items 16 thru 21).....	1
16	00-428753-00001	Valve - Oil Discharge.....	1
17	00-426801-00002	Magnet - Switch Element Head.....	1
18	SC-018-55	Mach. Screw 4-40 x 1/2 Phil. Pan Hd.....	4
19	NS-044-01	Nut Assy. 4-40 KEPS.....	4
20	00-428697-00001	Actuator - Oil Discharge.....	1
21	00-426805-000G2	Switch Assy.....	1
22	SC-116-19	Shoulder Bolt 1/4-20 x 3/4.....	1
23	FP-035-94	Pipe 1/2 x 1-1/2 TBE.....	1
24	FP-019-25	Tee 1/2 x 1/2 x 1/2.....	1
25	FP-036-91	Pipe 1/2 x 9-1/2 TBE (2G4, 2G6, 3G4, 3G6, G4G4, 4G6, 2XG4, & 2XG6).....	1
26	FP-090-81	Pipe 1/2 x 13-1/2 TBE (2G8, 3G8, 4G8, & 2XG8).....	1
27	00-418781-00001	Disconnect - Male.....	1
28	00-426567-00002	O-Ring (Viton).....	2
29	00-426567-00003	Receptacle - Oil Suction.....	1
30	SC-114-01	Mach. Screw 10-32 x 3/8 Hex Washer Hd.....	1
31	FP-013-17	Elbow - Street 1/2 x 90 Deg.....	1
32	FP-019-25	Tee 1/2 x 1/2 x 1/2.....	1
33	00-426602-00001	Tube - Flex (12 In.) (2G4, 3G4, 4G4, 2XG6, & 2XG8).....	1
34	00-426602-00004	Tube - Flex (19 In.).....	1
35	FP-077-68	Elbow 1/2 x 90 Deg.....	1
36	FP-035-95	Pipe 1/2 x 2 TBE.....	1
37	FP-077-68	Elbow 1/2 x 90 Deg.....	1
38	00-417792-00005	Pump Motor Assy. (115 V., 60 Hz.) (8 G.P.M.).....	1
39	00-497087-00001	Bracket - Quick Disconnect (2XG4, 2XG6, & 2XG8).....	2
40	NS-046-52	Nut Assy. 1/4-20 Hex.....	1
41	00-416435-00002	Grip (Yellow).....	1
42	00-428693-00004	Rod - Pull Kleenscreen.....	1
43	00-426602-00001	Tube - Flex (12 In.) (2G4, 3G4, 4G4, 2XG6, & 2XG8).....	1
44	FP-028-14	Pipe - Plug 1/2 Sq. Hd.....	1
45	FP-019-25	Tee 1/2 x 1/2 x 1/2.....	1
46		Pipe.....	1
47	00-428691-00002	Valve - Solenoid (120 V.).....	1
48	FP-035-91	Pipe 1/2 x 1-1/8 TBE.....	1
49	FP-035-91	Pipe 1/2 x 1-1/8 TBE.....	1
50	00-418786-00001	Valve - Check.....	1
51	FP-035-91	Pipe 1/2 x 1-1/8 TBE.....	1
52	FP-013-17	Elbow - Street 1/2 x 90 Deg.....	1
53	00-419251-00001	Fitting - 90 Deg. Swivel.....	1
54		Elbow.....	1
55		Pipe.....	1
56	FP-035-91	Pipe 1/2 x 1-1/8 TBE.....	1
57	00-521820	U-Bolt.....	1
58	FP-028-14	Pipe - Plug 1/2 Sq. Hd.....	1
59		Elbow.....	1
60	00-422281-00007	Hose - Discard (6 Ft.).....	1





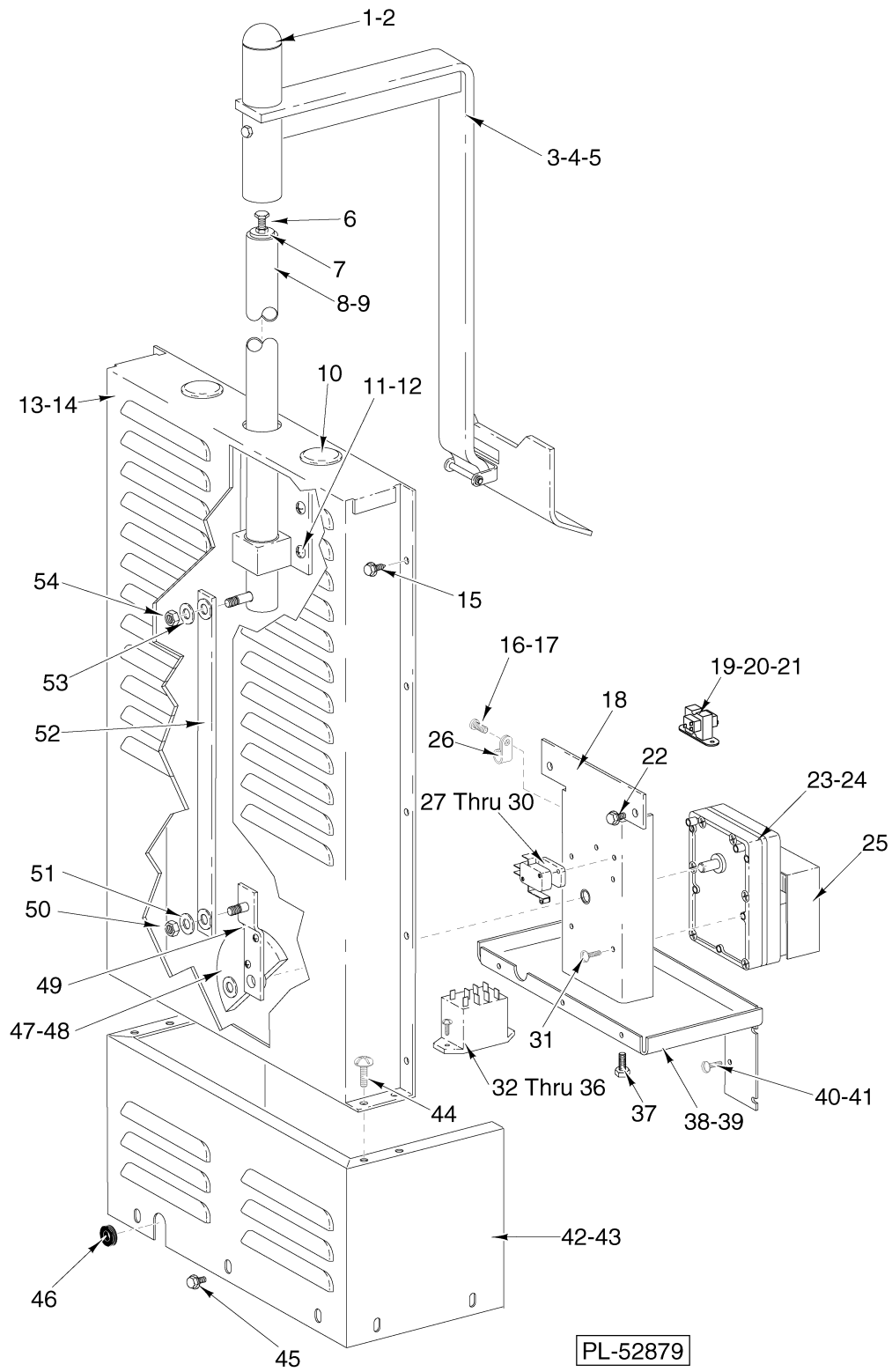
FILTER ASSEMBLY



FILTER ASSEMBLY

ILLUS.	PART NO.	NAME OF PART	AMT.
PL-59253			
1	00-428677-00001	Splash Guard (G4 Series).....	1
2	00-428678-00001	Splash Guard (G6 Series).....	1
3	00-428911-00001	Splash Guard (G8 Series).....	1
4	00-499087-00001	Screen - Fine Mesh Filter (Metal).....	1
5	00-499085-00001	Insert - Filter Screen.....	1
6	00-499086-00001	Filter - Envelope (17.25 x 12.5).....	1
7	00-499089-00001	Clip - Filter.....	1
8	00-499081-000G3	Tube - Suction.....	1
9	NS-017-49	Jam Nut.....	1
10	00-499083-00002	Coupling.....	1
11	00-499084-00002	Knob.....	1
12	00-428180-000G4	Drawer Assy. (G4 Series) (Incls. Item 16).....	1
13	00-428180-000G5	Drawer Assy. (G6 & G8 Series) (Incls. Items 14, 15, & 16).....	1
14	00-426600-00002	Bearing - Roller.....	2
15	00-426600-00003	Screw 1/4-20.....	2
16	00-426600-000G1	Roller Guide Assy.....	1
17	00-426606-000G4	Basket - Scrap (G4 Series).....	1
18	00-426606-000G6	Basket - Scrap (G6 & G8 Series).....	1
19	00-497374-000G1	Vessel Assy. (G4 Series).....	1
20	00-497374-000G2	Vessel Assy. (G6 & G8 Series).....	1
21	00-499486-00001	Clip - Drain Pipe.....	1
22	00-413927-00001	Grommet - Rubber.....	1
23	00-499085-00002	Insert - Fabric Envelope (11 x 15 In.).....	1





BASKETLIFT COMPONENTS (OPTIONAL)



BASKETLIFT COMPONENTS (OPTIONAL)

ILLUS. PL-52879	PART NO.	NAME OF PART	AMT.
1	423374-1	Cap - Rod End.....	1
2	SC-047-35	Set Screw 5/16-18 x 1/2 Hdls, Cup Pt.....	1
3	422495-G1	Lift Assy.....	1
4	422495-G2	Lift Assy.....	1
5	422495-G3	Lift Assy.....	1
6	418118-1	Bolt - Adjusting.....	1
7	NS-018-01	Jam Nut 14-20 Hex.....	1
8	418479-G2	Tube - Basketlift.....	1
9	423262-G1	Tube - Basketlift.....	1
10	PB-004-04	Plug Button (1-1/4).....	2
11	SD-032-07	Self-Tapping Screw 10-24 x 1/2 Hex Washer Hd., Type TT.....	6
12	422247-G1	Bearing Support Assy.....	1
13	422017-1	Wrap - Top.....	1
14	422018-1	Wrap - Top.....	1
15	SD-036-03	Self-Tapping Screw 8-18 x 3/8 Hex Washer Hd., Type AB.....	10
16	SC-109-10	Mach. Screw 6-32 x 3/8 Slotted Pan Hd. (SST).....	1
17	NS-009-07	Nut 6-32 Hex.....	1
18	418123-G1	Plate - Motor.....	1
19	411500-12	Transformer (120 V., A.C., 24 V., 20 VA).....	AR
20	411500-13	Transformer (200-240 V.A.C., 28 V., 20 VA).....	AR
21	SD-032-07	Self-Tapping Screw 10-24 x 1/2 Hex Washer Hd., Type TT.....	2
22	SD-037-80	Self-Tapping Screw 10-24 x 1/2 Hex Washer Hd., Type TT.....	6
23	418156-1	Gear Motor (115V.,60 Hz.).....	1
24	418156-2	Gear Motor (208V).....	1
25	418517-1	Shroud - Motor.....	1
26	078752-12	Clamp - Cable.....	1
27	418159-1	Block - Cam Switch.....	1
28	411496-F3	Switch - Micro.....	1
29	SC-112-90	Mach. Screw 4-40 x 1 Slotted Pan Hd.....	2
30	NS-009-12	Nut 8-32 Hex.....	2
31	SC-018-47	Mach. Screw 10-32 x 3/4 Pan Hd.....	4
32	416535-4	Relay S.P.D.T. 24 V. Coil (Elect. Ignition) (Located on rear of panel).....	1
33	416535-6	Switch - Relay.....	AR
34	416535-7	Switch - Relay (240V).....	AR
35	SC-109-10	Mach. Screw 6-32 x 3/8 Slotted Pan Hd. (SST).....	2
36	NS-009-07	Nut 6-32 Hex.....	2
37	SD-037-80	Self-Tapping Screw 10-24 x 1/2 Hex Washer Hd., Type TT.....	2
38	422730-1	Base - Motor Mounting.....	1
39	422729-1	Base - Motor Mounting.....	1
40	SC-037-80	Cap Screw 10-24 x 1/2 Hex Hd.....	2
41	SD-032-07	Self-Tapping Screw 10-24 x 1/2 Hex Washer Hd., Type TT.....	2
42	418480-1	Wrap - Bottom.....	1
43	418510-1	Wrap - Bottom.....	1
44	SD-036-03	Self-Tapping Screw 8-18 x 3/8 Hex Washer Hd., Type AB.....	14
45	SC-037-80	Cap Screw 10-24 x 1/2 Hex Hd.....	2
46	418482-1	Grommet.....	1
47	418475-G1	Crank-Arm Assy.....	1
48	SC-055-02	Set Screw 1/4-20 x 1/4 Hdls., Cup Pt.....	2
49	SD-015-41	Self-Tapping Screw 8-32 x 1/2 Phil. Pan Hd., "Tapitite".....	2
50	NS-047-73	Lock Nut 5/16-18 Hex.....	1
51	WS-004-33	Washer.....	1
52	418477-G2	Coupler Assy.....	1
53	WS-004-33	Washer.....	1
54	NS-047-73	Lock Nut 5/16-18 Hex.....	1



NO
PICTURE
AVAILABLE

RECOMMENDED SPARE PARTS LIST

use when no PL illustration is needed or available

RECOMMENDED SPARE PARTS LIST

ILLUS. PL-BLANK	PART NO.	NAME OF PART	AMT.
	00-956926-000G1	Control Assy. - Behind Door (W/no LED's).....	1
	00-411242-00001	Knob.....	1
	00-427755-000G1	Switch Assy. - Power.....	1
	00-411496-00B10	Switch - Rocker S.P.S.T.....	1
	00-427755-000G2	Switch Assy. (Start).....	1
	00-427755-000G1	Switch Assy. - Power (Filter).....	1
	00-857207-00001	Module - Ignition.....	1
	00-497125-00001	Relay (SPDT, 24 VAC).....	1
	00-428864-00001	Relay (Battery Units).....	1
	00-411500-00012	Transformer (120 VAC, 24 V., 40 VA).....	1
	00-419967-00005	Cord - Power Supply (84 In.).....	1
	00-427882-000G3	Tube - Flex (Gas Inlet).....	1
	00-410841-00028	Valve - Combination (NAT) (Electronic Ignition).....	1
	00-410841-00029	Valve - Combination (LP) (Electronic Ignition).....	1
	00-428472-00001	Valve - Gas (1/2 In.).....	AR
*	00-418907-00001	Caster - Swivel Assy. (Adjustable).....	2
*	00-418907-00003	Caster.....	2
*	00-426805-000G1	Switch Assy. (Drain Valve Interlock).....	1
*	00-426803-000G8	Valve - Drain Assy. (LH) (1-1/4) (With Magnet) (2G4, 2G6, 2G8, 3G4, 3G6, 3G8, 4G4, 4G6, & 4G8).....	1
*	00-426803-000G9	Valve - Drain Assy. (1-1/4) (RH) (With Magnet).....	1
*	00-420553-00002	Gasket - Silicone.....	1
*	00-418786-00001	Valve - Check.....	2
*	00-428691-00002	Valve - Solenoid (120 V.).....	2
*	00-426801-00002	Switch - Valve Mounted.....	1
*	00-426805-000G2	Switch Assy.....	1
*	00-426567-00002	O-Ring (Viton).....	2
*	00-426602-00001	Tube - Flex (12 In.) (2G4, 3G4, 4G4, 2XG6, & 2XG8).....	1
*	00-426602-00004	Tube - Suction Flex (19 In.).....	1
*	00-417792-00005	Pump Motor Assy. (115 V., 60 Hz.) (8 G.P.M.).....	1
*	00-426602-00001	Tube - Flex (12 In.) (2G4, 3G4, 4G4, 2XG6, & 2XG8).....	1
**	00-497296-000G1	Magnet Assy.....	1
**	00-418907-00002	Caster - Adjustable Swivel.....	1
**	00-421893-00002	Caster - Plate Mount.....	1
**	00-419379-00001	Probe - Thermistor.....	1
**	00-417522-00003	Clip - Capillary.....	2
**	00-419316-00001	Pilot (Nat. Gas) (W/Electronic Ignition).....	1
**	00-419316-00002	Pilot (L.P. Gas) (W/Electronic Ignition).....	1
**	00-426505-00023	Tube - Flex 1/4 O.D. x 23 In. Lg.....	1
**	00-010901-00039	Orifice - Spud (NAT Gas) (Sea Level - 2000 Ft.).....	AR
**	00-010901-00052	Orifice - Spud (LP Gas) (Sea Level - 3499 Ft.).....	AR
**	00-410840-00002	Box - Control Hi-Limit With Stuffing.....	1
**	00-410681-00001	Burner.....	AR
**	00-426805-000G1	Switch Assy.....	1
**	00-426801-00002	Switch - Mounted.....	1
**	00-426803-000G8	Valve - Drain Assy. (1-1/4) (LH) (With Magnet).....	1
**	00-426803-000G9	Valve - Drain Assy. (1-1/4) (RH) (With Magnet).....	1
***	00-499081-000G3	Tube - Suction.....	1
***	00-499084-00002	Knob.....	1
***	00-426600-00002	Bearing - Roller.....	2
***	00-413927-00001	Grommet - Rubber.....	1

* BODY UNIT (BATTERY)
 ** BODY UNIT (STAND-ALONE)
 *** FILTER ASSEMBLY



