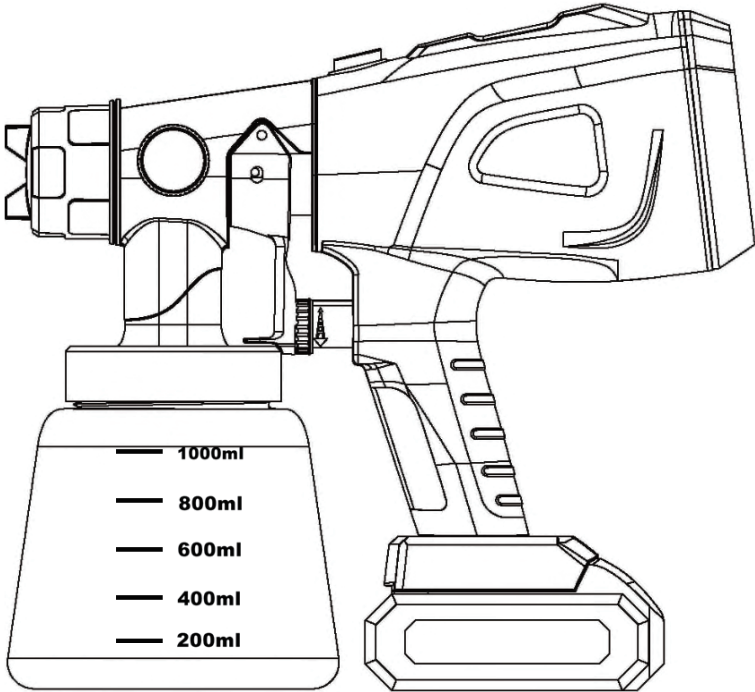


20VMAX

Wireless spray gun Manual



Please read this instruction manual carefully before using the tod

Before using the spray gun, please read this manual carefully, any improper use may cause damage or serious injury!

Technical parameters

| | |
|------------------------------|------------------------|
| Model: YX-SG05 | |
| Voltage: 20V MAX | Spray width: 200-300mm |
| Spraying distance: 200-250mm | Air flow: 160L/min |
| Rated Speed: 42000rpm | Viscosity: 40Din-sec |

Function

Suitable for wall, fence, door, window, metal rust, ceiling

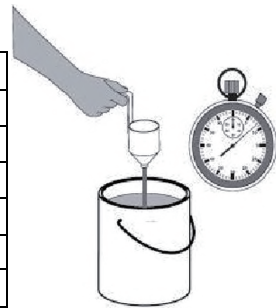
And used for car repairing, high-altitude operations, etc.

Usage method

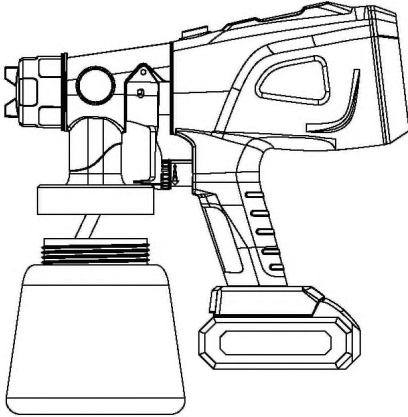
Paint primer needs to be diluted before use

Test method after dilution: fill the viscosity cup and count the time when

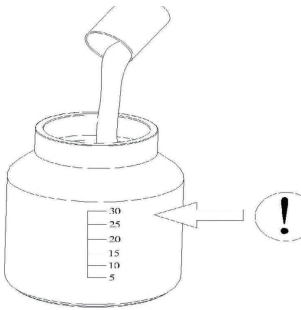
| Paint Name | outflow time(S) |
|----------------------------------|----------------------|
| Solvent-based primer | 20-60 |
| Solvent-based paint | 25-60 |
| water-based primer | 35-60 |
| water-based paint | 30-55 |
| Wood Preservative, Stripper, Oil | No dilution required |
| Car paint | 30-55 |



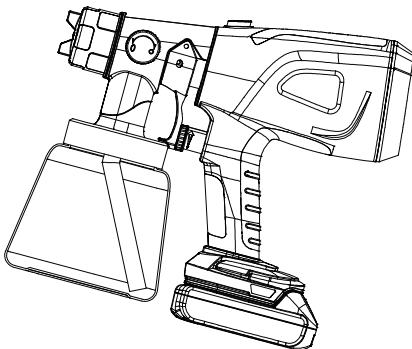
1 Unscrew the paint container from the spray gun



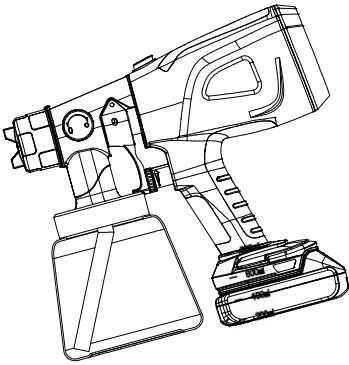
2 Pour the material into the container, no more than 1000ml



3 Adjusting the suction tube



a) If spray in an upward direction, the angled end of the suction tube should be pointing toward the rear of the spray gun

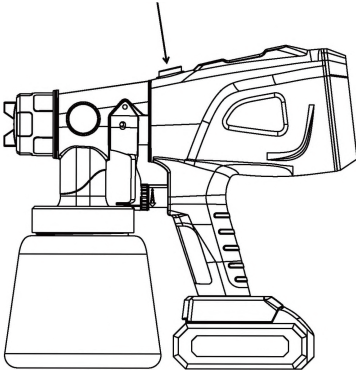


b If spray in a downward direction, the angled end of the suction tube should be pointing the front of the spray gun

4 Remove the motor

a Hold the gun with your hand and press the button

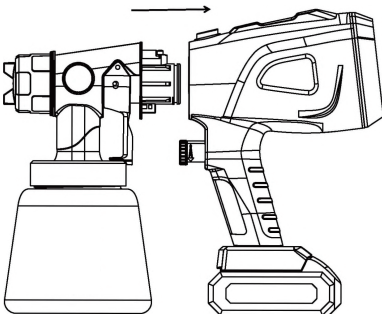
b Pull out to remove the motor from the gun



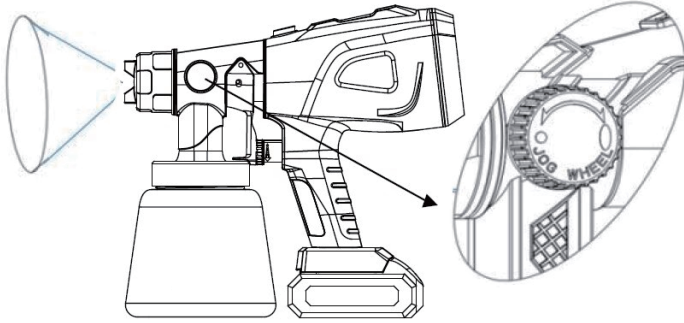
5 Connection between spray gun and body

a Hold the spray gun with your hand, align the bump on the spray gun with the slot on the motor, and then insert it

b When the gun and the main unit are in place, it is locked



- 6 Adjust the needle adjustment nut to meet your requirements
 - a Rotate the nut to the right to reduce the paint and reduce the paint thickness.

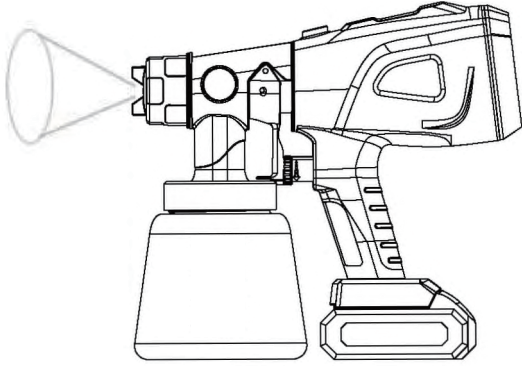


- 7 Spray length adjustment: Turn this knob to adjust the round shape from vertical to
Adjust the required length according to the spraying environment, reduce waste and save materials
 - a The counterclockwise rotation shortens the length, and when it rotates to the stop position, it is sprayed with the largest circle
 - b Adjust the screw to the right to increase paint volume, increase paint thickness

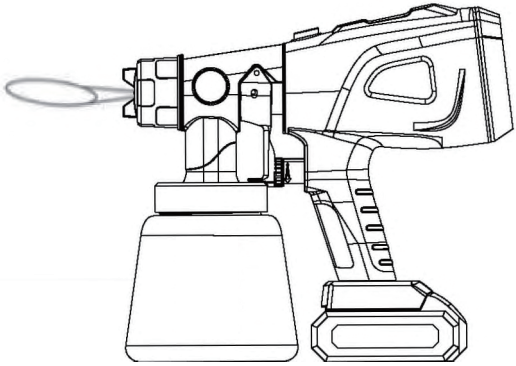
8 Adjust spray patterns

- a The spray gun pattern can be changed from horizontal oval fan pattern to around
- b Detailed pattern to a vertical fan pattern by adjusting the nozzle

Vertical



Level



Troubleshooting
Problem Cause Solution

| Problem | Cause | Solution |
|---|--|---|
| A Little or no material flow | 1. Nozzle clogged 2. Suction tube clogged 3 . material volume setting turn too far to the right 4 . suction tube loose 5 . matrial is too thick 6 . inconsistent paint 7. container is loose | 1. Clean 2. Clean 3 . turn to the left 4 . insert 5 . check viscosity 6 . strain paint 7. tighten the container |
| B .atomization is too coarse | 1. viacosity of material too high 2. material volume setting 3. Nozzle clogged 4 to little pressure build-up | 1. thin 2. turn to the right 3 ,clean 4. tighten container |
| C .spray jet pulsates | 1. material in container running out 2 material is too thick | 1. refill 2 check viscosity |
| D . pattern runs or sags | 1. The liquid in the pot is 2. Liquid viscosity too high | 1 .Add liquid 2- Check viscosity |
| E .too much over-spray | 1. applying too much material | 1 Adjust the material flow or increase movement of spay gun |
| F . pattern is very light and splotchy | 1. moving the spray gun too far | 1 Adjust material flow or decrease movement of spray gun |
| G large cloud of paint | 1.gun too close to surface | 1.move gun away from surface and reduce paint flow |

Warning!

- 1 . Keep your workplace clean and tidy, never use the tool in hazardous areas that contain flammable liquids , gasses or dusts
- 2 . Be sure to read the paint manufacturer's detailed instructions before use
- 3 . Use only paints, solvents or other materials with an ignition point of 73 ° F (22 ° C) or higher
- 4 . Do not point the gun at people or animals. In case of injury, seek medical attention immediately
- 5 . You must clean the spray gun thoroughly after each use
- 6 . Only use the relevant battery

