



DRAPER[®]

SLIMLINE

FLOODLIGHTS

WITH PIR SENSOR

66036/66037/66038



These instructions accompanying the product are the original instructions. This document is part of the product, keep it for the life of the product passing it on to any subsequent holder of the product. Read all these instructions before assembling, operating or maintaining this product.

This manual has been compiled by Draper Tools describing the purpose for which the product has been designed, and contains all the necessary information to ensure its correct and safe use. By following all the general safety instructions contained in this manual, it will ensure both product and operator safety, together with longer life of the product itself.

All photographs and drawings in this manual are supplied by Draper Tools to help illustrate the operation of the product.

Whilst every effort has been made to ensure the accuracy of information contained in this manual, the Draper Tools policy of continuous improvement determines the right to make modifications without prior warning.

1. TITLE PAGE

1.1 INTRODUCTION:

USER MANUAL FOR: Slimline Floodlights with PIR sensor

Stock No's: 66036 / 66037 / 66038.

Part No's: WMCL10W/PIR/B / WMCL20W/PIR/B / WMCL30W/PIR/B.

1.2 REVISIONS:

Date first published May 2017.

As our user manuals are continually updated, users should make sure that they use the very latest version.

Downloads are available from: <http://drapertools.com/manuals>

Draper Tools Limited
Hursley Road
Chandler's Ford
Eastleigh
Hampshire
SO53 1YF
UK

Website: drapertools.com

Product Helpline: +44 (0) 23 8049 4344

General Fax: +44 (0) 23 8026 0784

1.3 UNDERSTANDING THIS MANUALS SAFETY CONTENT:

WARNING! – Information that draws attention to the risk of injury or death.

CAUTION! – Information that draws attention to the risk of damage to the product or surroundings.

1.4 COPYRIGHT © NOTICE:

Copyright © Draper Tools Limited.

Permission is granted to reproduce this publication for personal and educational use only. Commercial copying, redistribution, hiring or lending is prohibited.

No part of this publication may be stored in a retrieval system or transmitted in any other form or means without written permission from Draper Tools Limited.

In all cases this copyright notice must remain intact.

2. CONTENTS

2.1 CONTENTS

1. TITLE PAGE

1.1	INTRODUCTION.....	1
1.2	REVISION HISTORY	2
1.3	UNDERSTANDING THIS MANUAL	2
1.4	COPYRIGHT NOTICE.....	2

2. CONTENTS

2.1	CONTENTS.....	3
-----	---------------	---

3. GUARANTEE

3.1	GUARANTEE	4
-----	-----------------	---

4. INTRODUCTION

4.1	SCOPE.....	5
4.2	SPECIFICATION	5
4.3	HANDLING AND STORAGE.....	5

5. HEALTH AND SAFETY INFORMATION

5.1	GENERAL SAFETY INSTRUCTIONS	
	– 1) Work area safety	6
	– 2) Electrical safety	6
	– 3) Personal safety	6-7
	– 4) Power tool use and care	7
	– 5) Service	7
5.2	ADDITIONAL SAFETY INSTRUCTIONS	

6. TECHNICAL DESCRIPTION

6.1	IDENTIFICATION	8
-----	----------------------	---

7. UNPACKING AND CHECKING

7.1	PACKAGING	9
-----	-----------------	---

8. OPERATION AND USE

8.1	POWER SUPPLY.....	10
8.2	WIRING THE LAMP	10
8.3	MOUNTING THE LAMP.....	10

9. MAINTENANCE

9.1	MAINTENANCE	11
-----	-------------------	----

10. EXPLANATION OF SYMBOLS

10.1	EXPLANATION OF SYMBOLS	12
------	------------------------------	----

11. DISPOSAL

11.1	DISPOSAL.....	13
------	---------------	----

DECLARATION OF CONFORMITY ENCLOSED

3. GUARANTEE

3.1 GUARANTEE

Draper tools have been carefully tested and inspected before shipment and are guaranteed to be free from defective materials and workmanship.

Should the tool develop a fault, please return the complete tool to your nearest distributor or contact:

Draper Tools Limited, Chandler's Ford, Eastleigh, Hampshire, SO53 1YF. England.

Telephone Sales Desk: (023) 8049 4333 or:

Product Helpline (023) 8049 4344.

A proof of purchase must be provided.

If upon inspection it is found that the fault occurring is due to defective materials or workmanship, repairs will be carried out free of charge. This guarantee period covering parts/labour is 12 months from the date of purchase except where tools are hired out when the guarantee period is 90 days from the date of purchase. The guarantee is extended to 24 months for parts only. This guarantee does not apply to normal wear and tear, nor does it cover any damage caused by misuse, careless or unsafe handling, alterations, accidents, or repairs attempted or made by any personnel other than the authorised Draper warranty repair agent.

Note: If the tool is found not to be within the terms of warranty, repairs and carriage charges will be quoted and made accordingly.

This guarantee applies in lieu of any other guarantee expressed or implied and variations of its terms are not authorised.

Your Draper guarantee is not effective unless you can produce upon request a dated receipt or invoice to verify your proof of purchase within the guarantee period.

Please note that this guarantee is an additional benefit and does not affect your statutory rights.

Draper Tools Limited.

4. INTRODUCTION

4.1 SCOPE

Die cast aluminium housing with wall bracket using a ultra bright Chip On Board (COB) LED which produces low heat and an even spread of 120° light and is suitable for outside locations.

4.2 SPECIFICATION

Stock no.....	66036	66037	66038
Part no.....	WMCL10W/PIR/B	WMCL20W/PIR/B	WMCL30W/PIR/B
Rated voltage	230V/50Hz	230V/50Hz	230V/50Hz
LED.....	COB	COB	COB
Wattage	10W	20W.....	30W
Lumens.....	700	1300	1950
Colour Temperature.....	4000K.....	4000K.....	4000K
Ingress protection	IP65	IP65.....	IP65
Product size.....	110x85x85mm	210x170x140mm	225x85x150mm

4.3 HANDLING AND STORAGE

Take care when using this product.

- If any part is worn or damaged, do not use.
- Do not point (shine) the light into any persons or animals eyes.
- Do not submerge in liquids.
- Keep away from children.

5. HEALTH AND SAFETY INFORMATION

5.1 GENERAL SAFETY INSTRUCTIONS

⚠ WARNING: Read all safety warnings and all instructions. Failure to follow the warnings and instructions may result in electric shock, fire and/or serious injury.

Save all warnings and instructions for future reference.

The term “power tool” in the warnings refers to your mains operated (corded) power tool or battery-operated (cordless) power tool.

1) Work area safety

- a) **Keep work area clean and well lit.** Cluttered or dark areas invite accidents.
- b) **Do not operate power tools in explosive atmospheres, such as in the presence of flammable liquids, gases or dust.** Power tools create sparks which may ignite the dust or fumes.
- c) **Keep children and bystanders away while operating a power tool.** Distractions can cause you to lose control.

2) Electrical safety

- a) **Power tool plugs must match the outlet. Never modify the plug in any way.** Do not use any adapter plugs with earthed (grounded) power tools. Unmodified plugs and matching outlets will reduce risk of electric shock.
- b) **Avoid body contact with earthed or grounded surfaces such as pipes, radiators, ranges and refrigerators.** There is an increased risk of electric shock if your body is earthed or grounded.
- c) **Do not expose power tools to rain or wet conditions.** Water entering a power tool will increase the risk of electric shock.
- d) **Do not abuse the cord. Never use the cord for carrying, pulling or unplugging the power tool. Keep cord away from heat, oil, sharp edges or moving parts.** Damaged or entangled cords increase the risk of electric shock.
- e) **When operating a power tool outdoors, use an extension cord suitable for outdoor use.** Use of a cord suitable for outdoor use reduces the risk of electric shock.
- f) **If operating a power tool in a damp location is unavoidable, use a residual current device (RCD) protected supply.** Use of an RCD reduces the risk of electric shock.

3) Personal safety

- a) **Stay alert, watch what you are doing and use common sense when operating a power tool. Do not use a power tool while you are tired or under the influence of drugs, alcohol or medication.** A moment of inattention while operating power tools may result in serious personal injury.
- b) **Use personal protective equipment. Always wear eye protection.** Protective equipment such as dust mask, non-skid safety shoes, hard hat, or hearing protection used for appropriate conditions will reduce personal injuries.
- c) **Prevent unintentional starting. Ensure the switch is in the off position before connecting to power source and/or battery pack, picking up or carrying the tool.** Carrying power tools with your finger on the switch or energising power tools that have the switch on invites accidents.
- d) **Remove any adjusting key or wrench before turning the power tool on.** A wrench or a key left attached to a rotating part of the power tool may result in personal injury.
- e) **Do not overreach. Keep proper footing and balance at all times.** This enables better control of the power tool in unexpected situations.
- f) **Dress properly. Do not wear loose clothing or jewellery. Keep your hair, clothing and gloves away from moving parts.** Loose clothes, jewellery or long hair can be caught in moving parts.

5. HEALTH AND SAFETY INFORMATION

g) **If devices are provided for the connection of dust extraction and collection facilities, ensure these are connected and properly used.** Use of these devices can reduce dust-related hazards.

4) Power tool use and care

- a) **Do not force the power tool. Use the correct power tool for your application.** The correct power tool will do the job better and safer at the rate for which it was designed.
- b) **Do not use the power tool if the switch does not turn it on and off.** Any power tool that cannot be controlled with the switch is dangerous and must be repaired.
- c) **Disconnect the plug from the power source and/or battery pack from the power tool before making any adjustments, changing accessories, or storing power tools.** Such preventive safety measures reduce the risk of starting the power tool accidentally.
- d) **Store idle power tools out of the reach of children and do not allow persons unfamiliar with the power tool or these instructions to operate the power tool.** Power tools are dangerous in the hands of untrained users.
- e) **Maintain power tools. Check for misalignment or binding of moving parts, breakage of parts and any other condition that may affect the power tool's operation. If damaged, have the power tool repaired before use.** Many accidents are caused by poorly maintained power tools.
- f) **Keep cutting tools sharp and clean.** Properly maintained cutting tools with sharp cutting edges are less likely to bind and are easier to control.
- g) **Use the power tool, accessories and tool bits etc. in accordance with these instructions, taking into account the working conditions and the work to be performed.** Use of the power tool for operations different from those intended could result in a hazardous situation.

5) Service

- a) **Have your power tool serviced by a qualified repair person using only identical replacement parts.** This will ensure that the safety of the power tool is maintained.

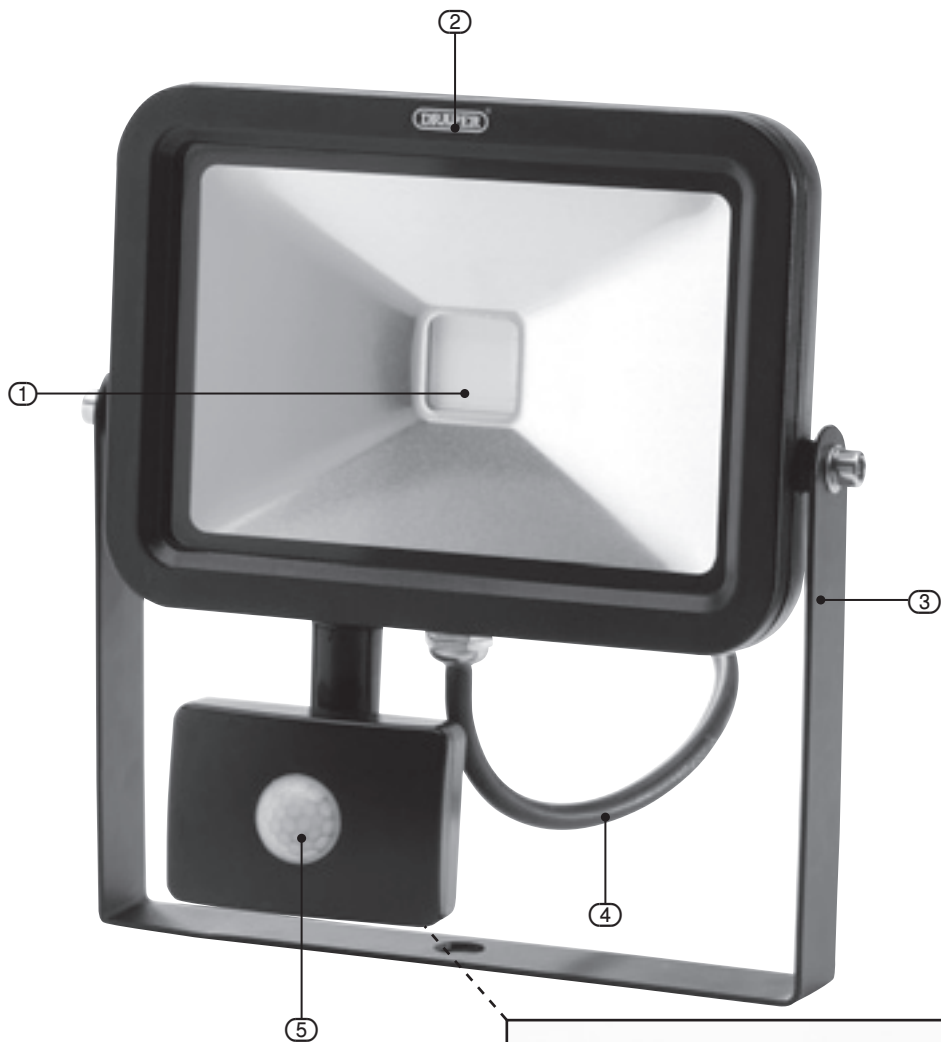
5.2 ADDITIONAL SAFETY INSTRUCTIONS

WARNING: This product must be installed by a qualified electrician.

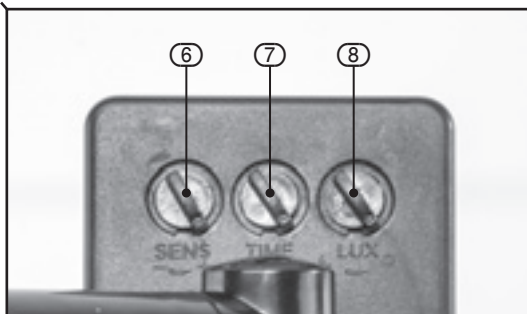
- You must also read and understand the following instructions concerning electrical safety
- Inspect all components and cables before installation, do not use if damaged.
- The LED floodlight must be installed to an appropriate electrical on/off switch
- Ensure the voltage marked on the product is the same as the electrical power supply
- Do not pull the power cable
- Turn off the power supply before installation
- Ensure the light is installed in accordance with the installation instructions
- Only install the light in the vertical position, do not install on a horizontal surface (i.e. Ceiling)
- Do not install in humid environments such as bathrooms, shower rooms, Sauna etc.
- Do not point (Shine) the light directly into a persons eyes
- Do not install the light where it can be damaged or knocked
- Do not use the unit without the front glass installed.

6. TECHNICAL DESCRIPTION

6.1 IDENTIFICATION



- ① COB LED panel.
- ② Lamp head.
- ③ Bracket.
- ④ Power cable.
- ⑤ PIR sensor.
- ⑤ SENS - sensitivity of movement.
- ⑤ TIME - delay adjustment.
- ⑤ LUX - daylight sensitivity adjustment



7. UNPACKING AND CHECKING

7.1 PACKAGING

Carefully remove the floodlight from the packaging and examine it for any sign of damage that may have happened during shipping. If any part is damaged or missing; please contact the Draper Helpline (the telephone number appears on the Title page) and do not attempt to use the floodlight.

The packaging material should be retained at least during the guarantee period: in case the floodlight needs to be returned for repair.

Warning! Some of the packaging materials used may be harmful to children. Do not leave any of these materials in the reach of children.

If any of the packaging is to be thrown away, make sure they are disposed of correctly, according to local regulations.

8. OPERATION AND USE

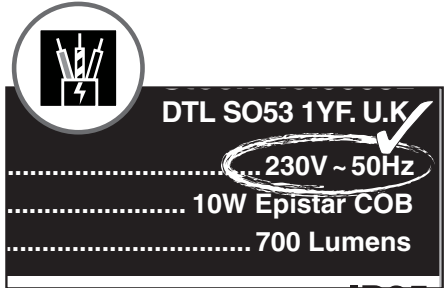
8.1 POWER SUPPLY

Warning:

- This product must be installed by a qualified electrician.
- This floodlight is supplied with a 300mm, 3 core cable.
- The cable is connected directly to the light circuit board.
- Do not remove cable.
- Install into a waterproof junction box.

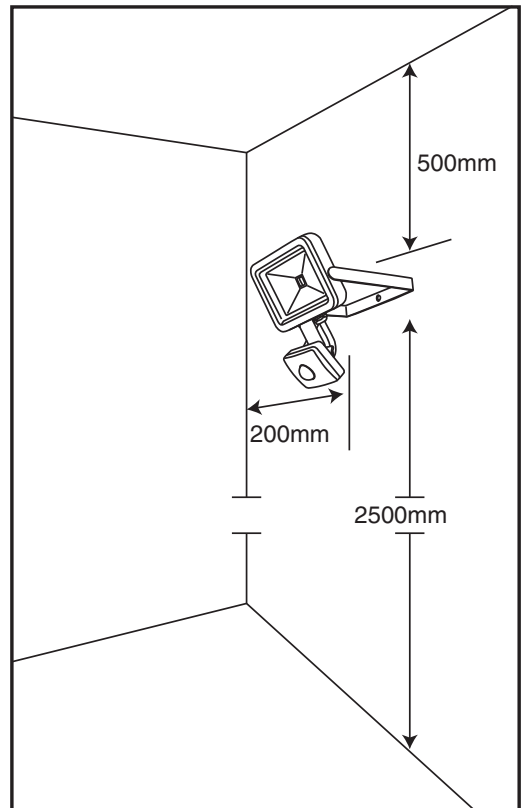
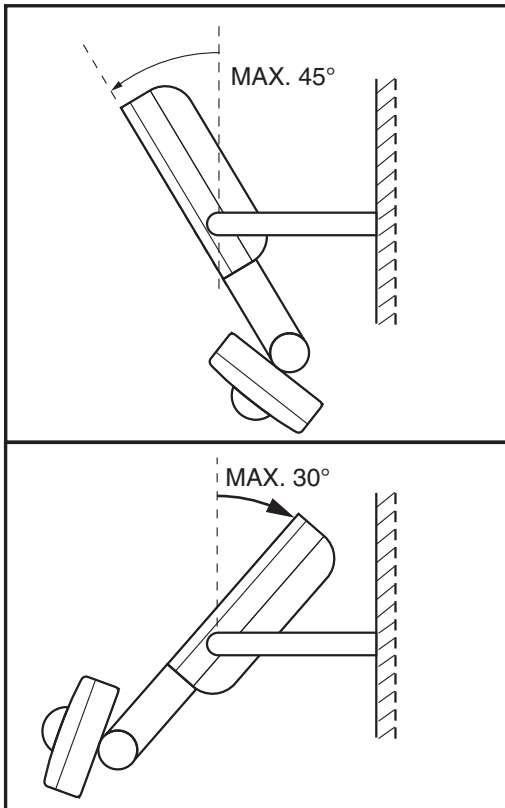
8.2 WIRING THE LAMP

Brown or Red **L** Live
Blue **N** Neutral
Green/Yellow **G** \perp Earth



8.3 MOUNTING THE LAMP

Ensure the lamp is mounted at least 2.5M from the ground and at least 500mm from any overhead surface and 250mm from any side i.e. walls.



9. FLOODLIGHT INSTRUCTIONS

9.1 P.I.R. SENSOR (PASSIVE INFRARED SENSOR)

The P.I.R. detector unit (if fitted) is equipped with 3 adjustable dials for the delay and sensitivity.

SENSITIVITY ADJUSTMENT (SENS):

To help reduced false alarms (e.g. wind moving branches) from activating the light, turn the dial anti-clockwise.

DELAY ADJUSTMENT (TIME):

This dial will adjust the amount of time the lamp will remain illuminated after detection of movement. The time delay is adjustable from six seconds to ten minutes. Turn the dial clockwise to increase the lighting time.

LUX ADJUSTMENT (LUX):

To prevent the light for illuminating during the day. Rotate the dial anti-clockwise to reduce the sensitivity of light.



9. FLOODLIGHT INSTRUCTIONS

9.2 FIELD OF DETECTION

NOTE: This type of lamp can be a menace to neighbours or road users and as such should be mounted to prevent this situation.

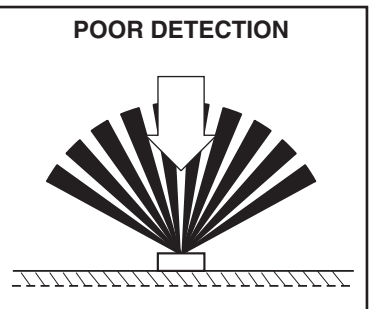
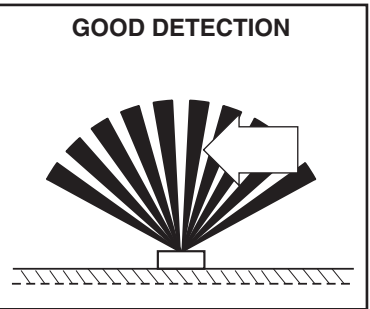
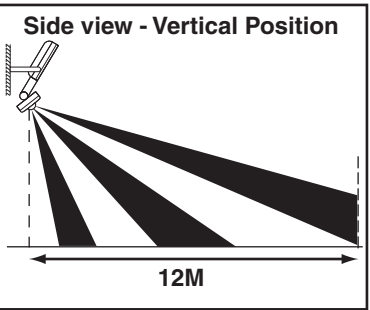
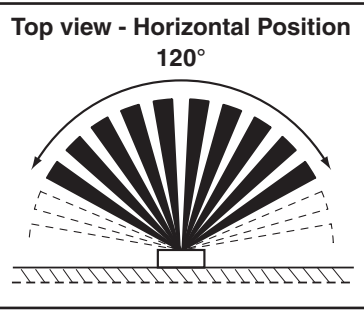
The field of detection for the infra-red lamp can be adjusted to a maximum of 30° in the horizontal position and 30° in the vertical position. The benefit of this feature excludes any false detections from neighbouring areas.

The horizontal position has a permanent 120° field of detection which can be directed to the left or right.

The vertical position can be reduced or expanded within the range shown in the diagram.

The best detection is obtained by approaching the field of detection at 90° to the direction in which the detector unit is facing.

If the field of detection is approached in the same direction as the detector unit is facing, the response time in some cases will be delayed.



9. MAINTENANCE

9.1 MAINTENANCE

There is no serviceable panels in this floodlight.

Use only mild soap and a damp cloth to clean this floodlight.



10. EXPLANATION OF SYMBOLS

10.1 EXPLANATION OF SYMBOLS



WEEE
Do not dispose of Waste Electrical & Electronic Equipment in with domestic rubbish.



Distance from light



Protection rating



Earth



Hard wired into lighting circuit



Warning! Read the instruction manual.



Warning! Do not aim beam at bystanders or look directly into light source.

11. DISPOSAL

11.1 DISPOSAL

At the end of the machine's working life, or when it can no longer be repaired, ensure that it is disposed of according to national regulations.

Contact your local authority for details of collection schemes in your area.

In all circumstances:

- Do not dispose of power tools with domestic waste.
- Do not incinerate.
- Do not abandon in the environment.
- Do not dispose of WEEE* as unsorted municipal waste.



* Waste Electrical & Electronic Equipment.

CONTACTS

Draper Tools Limited, Hursley Road,
Chandler's Ford, Eastleigh, Hampshire. SO53 1YF. U.K.

Helpline: (023) 8049 4344

Sales Desk: (023) 8049 4333

Internet: drapertools.com

E-mail: sales@drapertools.com

General Enquiries: (023) 8026 6355

Service/Warranty Repair Agent:

For aftersales servicing or warranty repairs, please contact the Draper Tools Helpline for details of an agent in your local area.

YOUR DRAPER STOCKIST

RDKC0517

©Published by Draper Tools Limited.

No part of this publication may be reproduced, stored in a retrieval system or transmitted in any form or by any means, electronic, mechanical photocopying, recording or otherwise without prior permission in writing from Draper Tools Ltd.