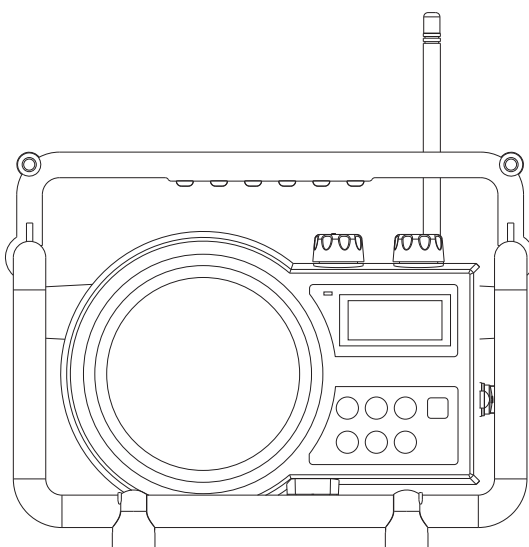


# LUNCHBOX



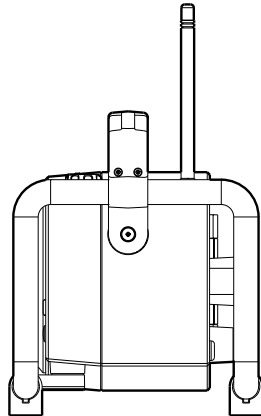
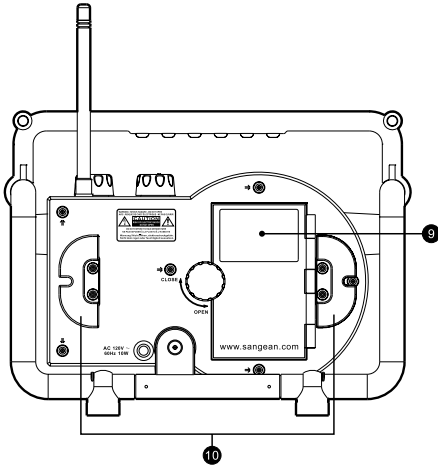
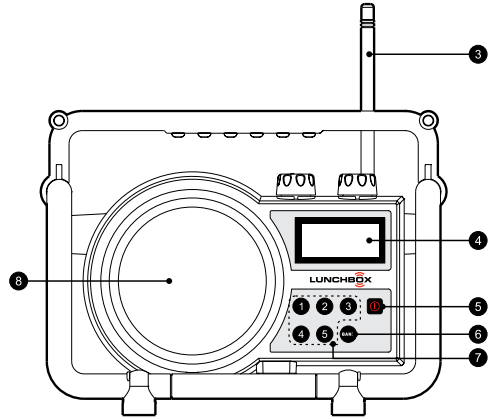
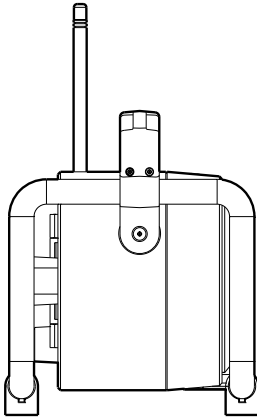
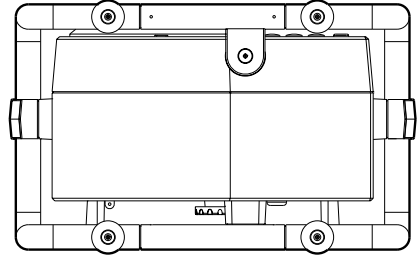
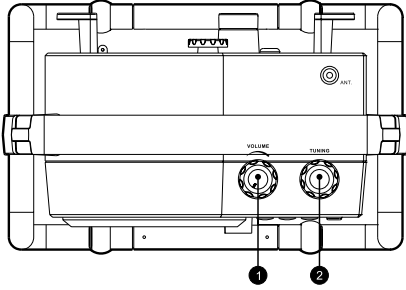
**GB**

Revision 1

## Important Safety Instructions

1. Read these instructions.
2. Keep these instructions.
3. Heed all warnings
4. Follow all instructions
5. Do not use this apparatus near water.
6. Clean only with dry cloth.
7. Do not block any ventilation openings. Install in accordance with the instructions.
8. Do not install near any heat sources such as radiators, heat registers, stoves or other apparatus (including amplifiers) that produce heat.
9. Do not defect the safety purpose of the polarized or grounding-type plug. A polarized plug has two blades with one wider than the other. A grounding type plug has two blades and a third grounding prong. The wide blade or the third prong are provided for your safety. If the provided plug does not fit into your outlet, consult an electrician for replacement of the obsolete outlet – USA version only.
10. Protect the power cord from being walked on or pinched particularly at plug, convenience receptacles, and the point where they exit from the apparatus.

11. Only use attachments/accessories specified by the manufacturer.
12. Use only with the cart, stand, tripod, bracket, or table specified by the manufacturer, or sold with the apparatus. When a cart is used, use caution when moving the cart/apparatus combination to avoid injury from tip-over.
13. Unplug this apparatus during lightning storms or when unused for long periods of time.
14. Refer all servicing to qualified service personnel. Servicing is required when the apparatus has been damaged in any way, such as power-supply cord or plug is damaged, liquid has been spilled or objects have fallen into the apparatus, the apparatus has been exposed to rain or moisture, does not operate normally, or has been dropped.
15. To reduce the risk of fire or electric shock, Do not expose this appliance to Rain or Moisture.
16. The Shock Hazard Marking and Associated Graphical Symbol is provided on the bottom panel of unit.
17. Apparatus shall not be exposed to dripping or splashing and no objects filled with liquids, shall be placed on the apparatus.
18. For outdoors use, to avoid electric shock, use battery only during a raining day or the weather is wet.



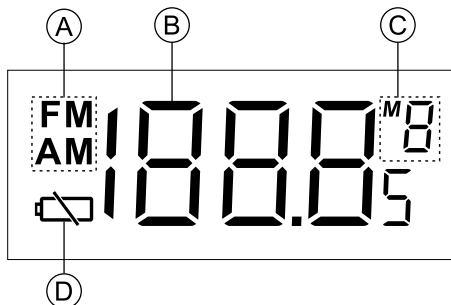
## Controls

- ① Volume Control
- ② Tuning Control
- ③ FM antenna
- ④ LCD display
- ⑤ Power On / Off
- ⑥ Band Selection
- ⑦ Preset Station
- ⑧ Speaker
- ⑨ Battery Compartment
- ⑩ AC power cord storage

GB

## LCD Display

- Ⓐ Band Indicator
- Ⓑ Frequency
- Ⓒ Preset Stations
- Ⓓ Low Battery Indicator



## Power the radio

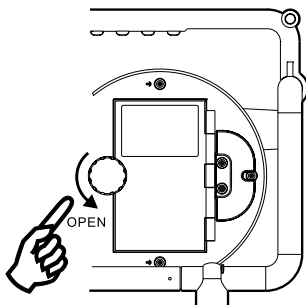
### 1. Battery operation

Installing the batteries, first turn battery cover fixture anti-clockwise to loosen and pull down the battery cover. Insert 4 x C size (UM-2) battery into the compartment. Ensure the battery is inserted in accordance with the diagram shown.

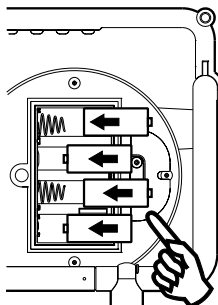
Close the battery cover and fasten the fixture by turning clockwise.

If the radio is not to be used for any extended period of time, it is recommended that the battery is removed from the radio.

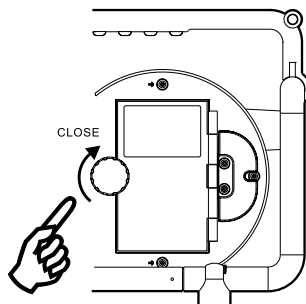
1.



2.



3.



## 2. AC operation

Before you plug the AC power cord into the AC socket, be sure the voltage is correct. If you have batteries in the radio and use the AC power cord, the batteries will automatically be disconnected.

AC power storage is designed to store the cord when the radio is not in use.

## 3. Operating the radio

This radio is equipped with two tuning methods – Manual tuning and Memory presets recall.

### Manual Tuning

1. Press the Power button to turn on the radio.
2. Select the required waveband by pressing the Band button.
3. Be sure to screw in the rubber FM antenna properly to get best reception. For AM (MW) band, rotate the radio to get best signal.
4. Rotate the Tuning Control knob will change the frequency in the following increments  
FM: 50 or 100 kHz  
MW (AM): 9 or 10 kHz
5. Rotate the Volume Control knob to get required sound level.
6. To turn off the radio, press the Power button. Display will show OFF.

## Memory presets recall

Storing stations in preset memories There are 5 memory presets for each waveband.

1. Press the Power button to turn on the radio.
2. Tune to the required station using Tuning Control.
3. Press and hold down the required preset until the radio beeps.  
The preset number will appear in the display and the station will be stored under chosen preset button.
4. Repeat this procedure for the remaining presets.
5. Stations stored in preset memories can be overwritten by following above procedures.

## Recalling stations from preset memories

1. Press the Power button to turn on the radio.
2. Select the required waveband.
3. Momentarily press the required Preset button, the preset number and station frequency will appear in the display.

## Display backlight

When radio is switched on, press any button except Power button will illuminate the LCD display for approx. 15 seconds.

## Setting tuning step

Tuning step in some countries are different from where you purchase the radio. If you buy the radio in Europe and intend to use in Northern America or some Latin American countries, you may have to adjust tuning step so the radio may continue to serve you well.

1. When the radio is switched off, press and hold BAND button 3 seconds until software version 'PXX' shown on the display.
2. Continue pressing BAND button until FM tuning step option shown on the display. Then rotate the Tuning control rotary to select 50 kHz or 100 kHz FM step. Press Band button to confirm the selection. Now the display will show AM tuning step option.
3. Rotate the Tuning control rotary to select 9 kHz or 10 kHz AM step. Press Band button to confirm the setting. Then the tuning step setting is completed.

## Clear the preset stations

Whenever is necessary, you can clear all the preset stations.

When radio is off, press Preset button 5 for more than 2 seconds to clear all the preset stations. Radio will be reset to original factory set status.

## Specifications

Frequency Coverage:

FM 87.50 – 108 MHz

AM (MW) 520 – 1710 kHz (10 kHz)

522 – 1710 kHz (9 kHz)

AC Power:

AC 120V/60Hz/10W (USA)

AC 230V/50Hz/10W (Europe)

Batteries: 4 x UM-2 (C Size)

Output Power:

2 Watt 10% T.H.D. @ 100 Hz @ DC battery 6V

5 Watt 10% T.H.D. @ 100 Hz @ AC 230V or 110V