

VEVOR[®]

TOUGH TOOLS, HALF PRICE

Technical Support and E-Warranty Certificate www.vevor.com/support

CABINET STYLE WOODEN CAT SHELTER USER MANUAL

We continue to be committed to provide you tools with competitive price.

"Save Half", "Half Price" or any other similar expressions used by us only represents an estimate of savings you might benefit from buying certain tools with us compared to the major top brands and does not necessarily mean to cover all categories of tools offered by us. You are kindly reminded to verify carefully when you are placing an order with us if you are actually saving half in comparison with the top major brands.

VEVOR[®]

TOUGH TOOLS, HALF PRICE

CABINET STYLE WOODEN CAT SHELTER

DUSCH2403



NEED HELP? CONTACT US!

Have product questions? Need technical support? Please feel free to contact us:

Technical Support and E-Warranty Certificate
www.vevor.com/support

This is the original instruction, please read all manual instructions carefully before operating. VEVOR reserves a clear interpretation of our user manual. The appearance of the product shall be subject to the product you received. Please forgive us that we won't inform you again if there are any technology or software updates on our product.

Safety precautions

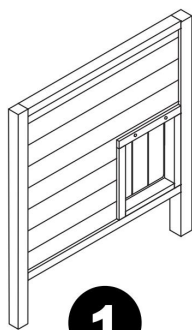
WARNING:

Read this instructions before using this product. Failure to do so can result in serious injury. the basic precautions should always be followed,including the following:

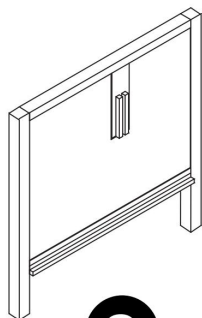
1. The Cabinet Style Wooden Cat Shelter may not be used or stored in hazardous areas. It is not allowed to use the appliance in hazardous locations.
2. The Cabinet Style Wooden Cat Shelter must be checked to ensure that it is in proper working order and is operating safely prior to use. Otherwise,the appliance must not be used.
3. Please keep the Kabinestell Wooden Carter Shelter roof closed, otherwise it will cause water ingress.
4. Please clean up the manure and garbage in the house regularly.
5. The operator must use the Cabinet Style Wooden Cat Shelter properly. He must consider the local conditions and must pay attention to third parties,in particular children,when working with the Cabinet Style Wooden Cat Shelter.
6. This Cabinet Style Wooden Cat Shelter is not intended for use by persons (including children) with reduced physical,sensory or mental abilities or lacking experience and/or knowledge,unless they are super-vised by a person responsible for their safety or are instructed by these persons on the use of the device. Children should be supervised,to ensure that they do not play with the Cabinet Style Wooden Cat Shelter.

SAVE THESE INSTRUCTIONS

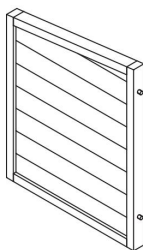
Product List



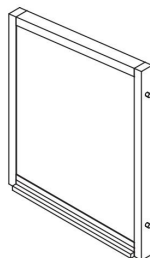
1



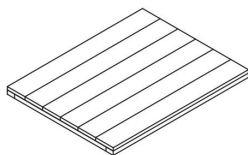
2



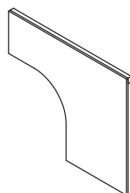
3



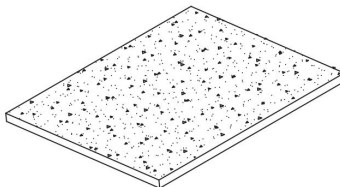
4



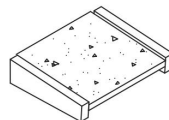
5



6



7



8

A



3.5×50 8+(1Spare parts)

B



3.0×16 8+(1Spare parts)

C

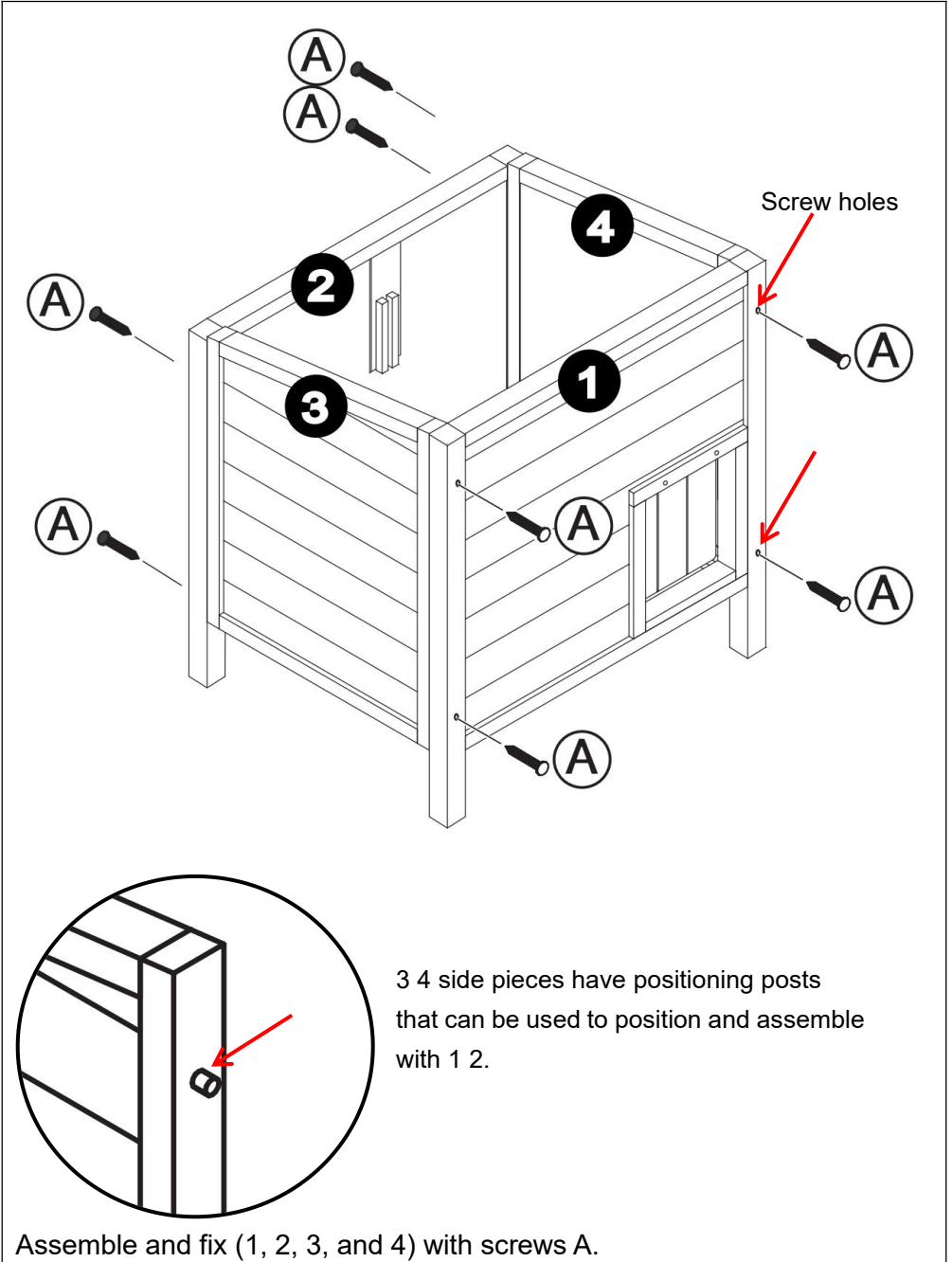


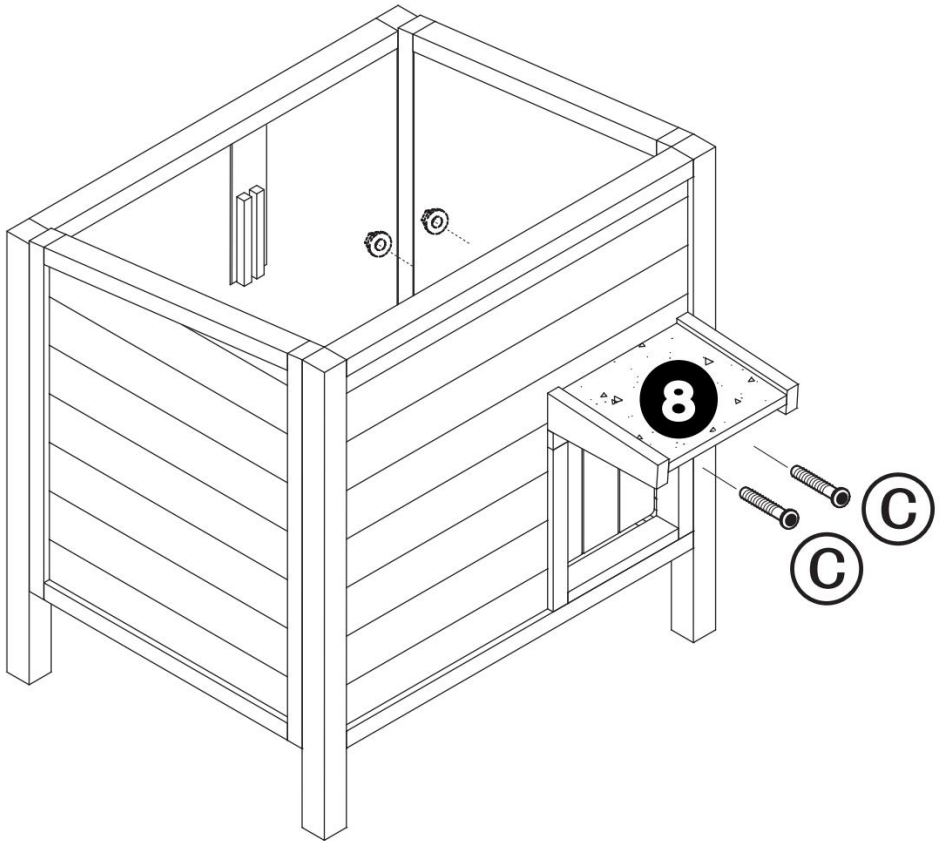
M6×60 2



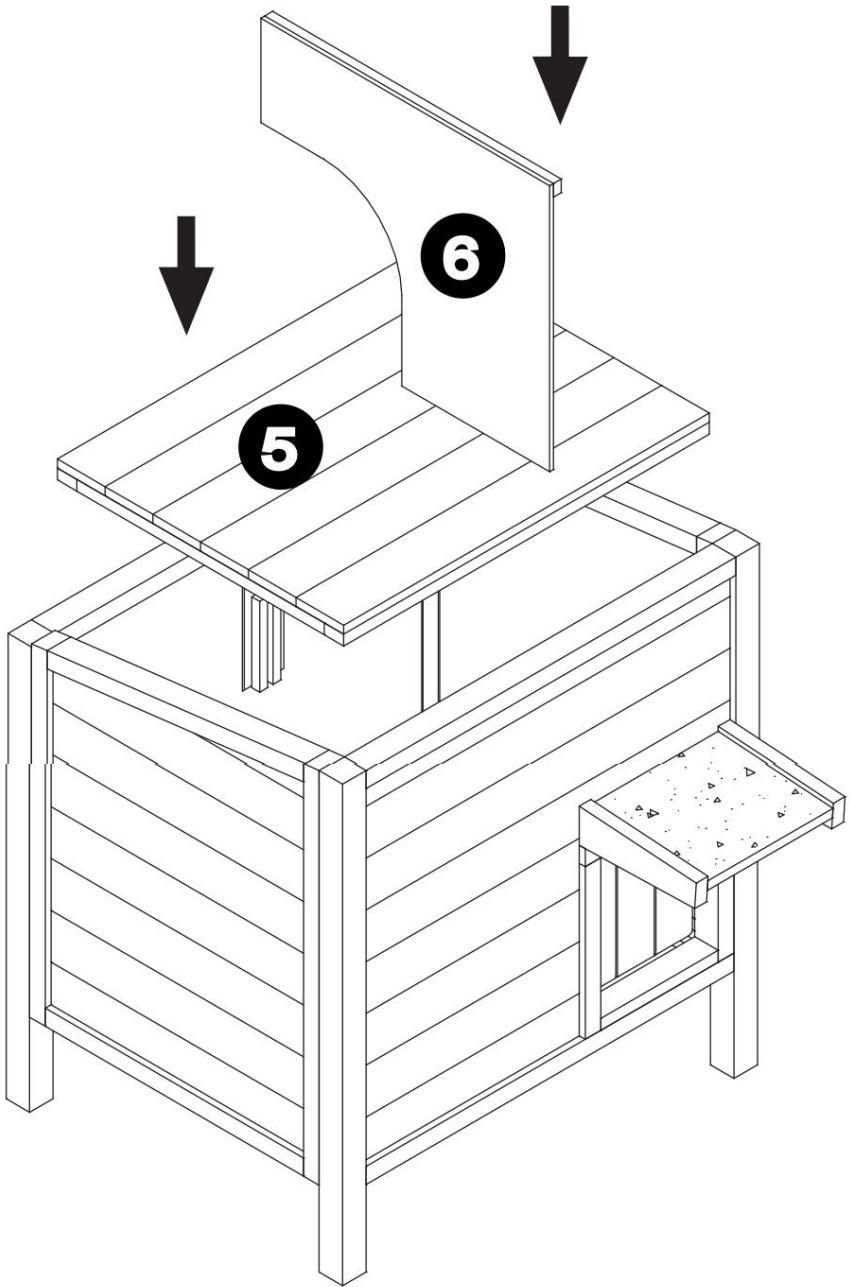
D

Product Assembling

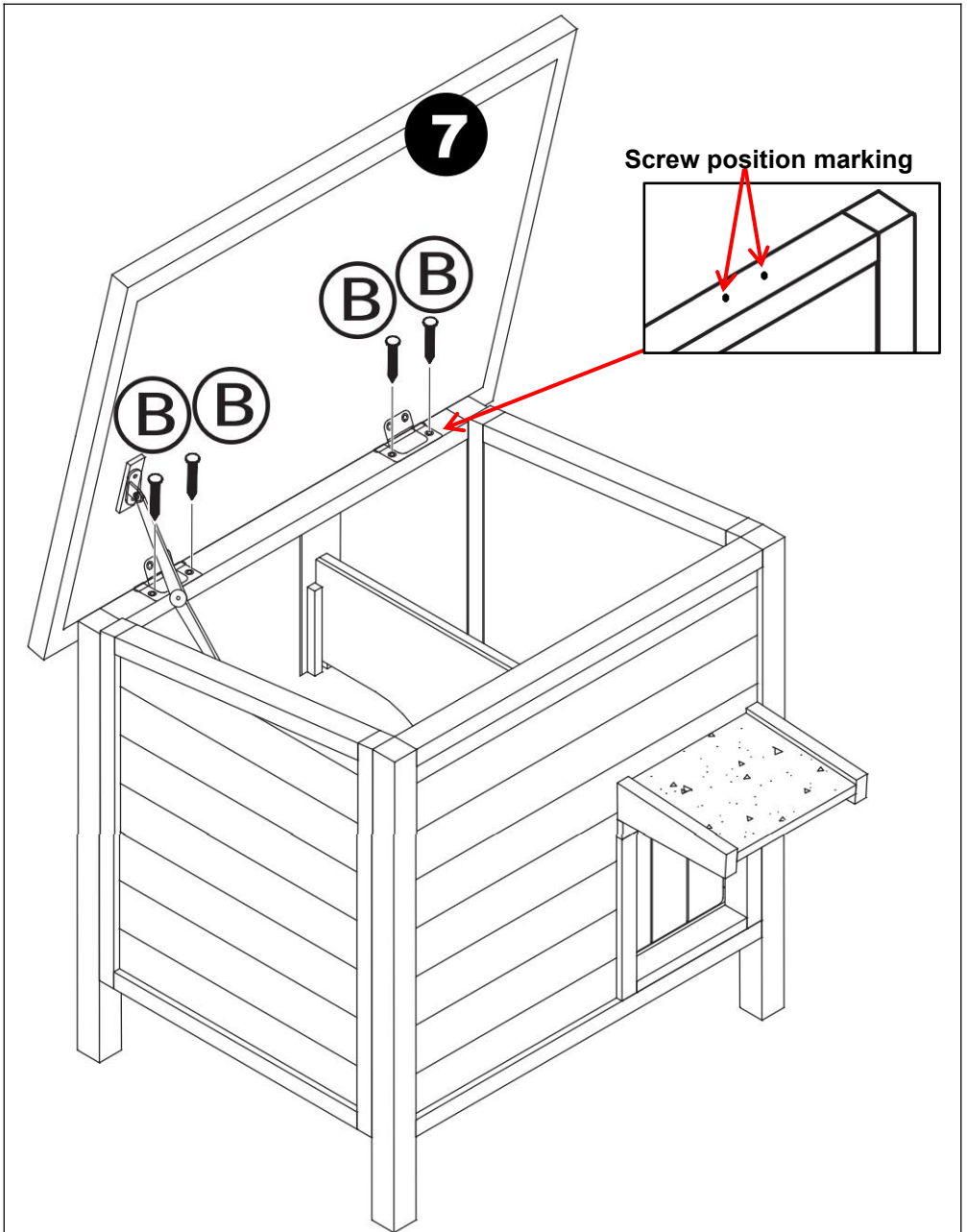




Assemble (8) on the front piece with bolt C.

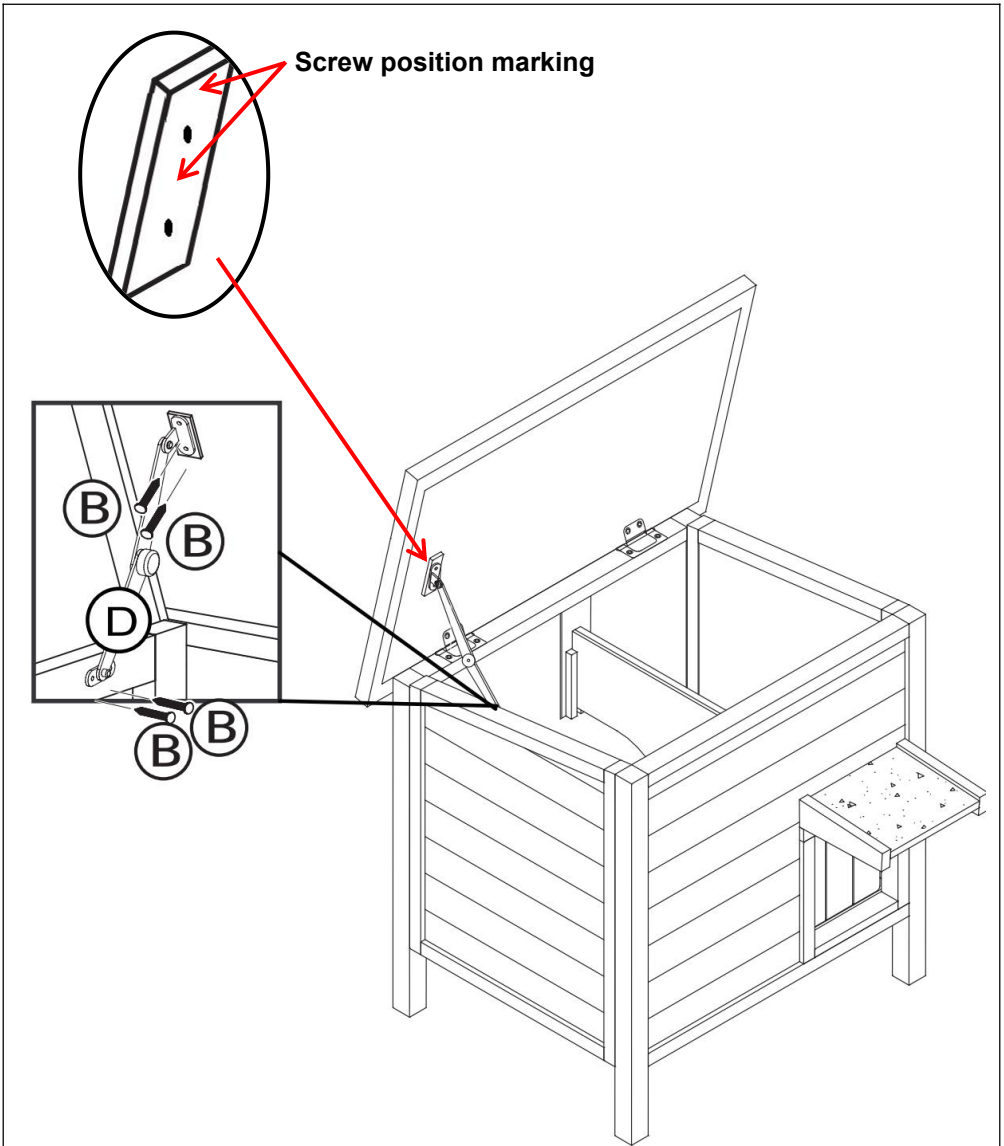


Put (5 and 6) in the direction of the arrows.



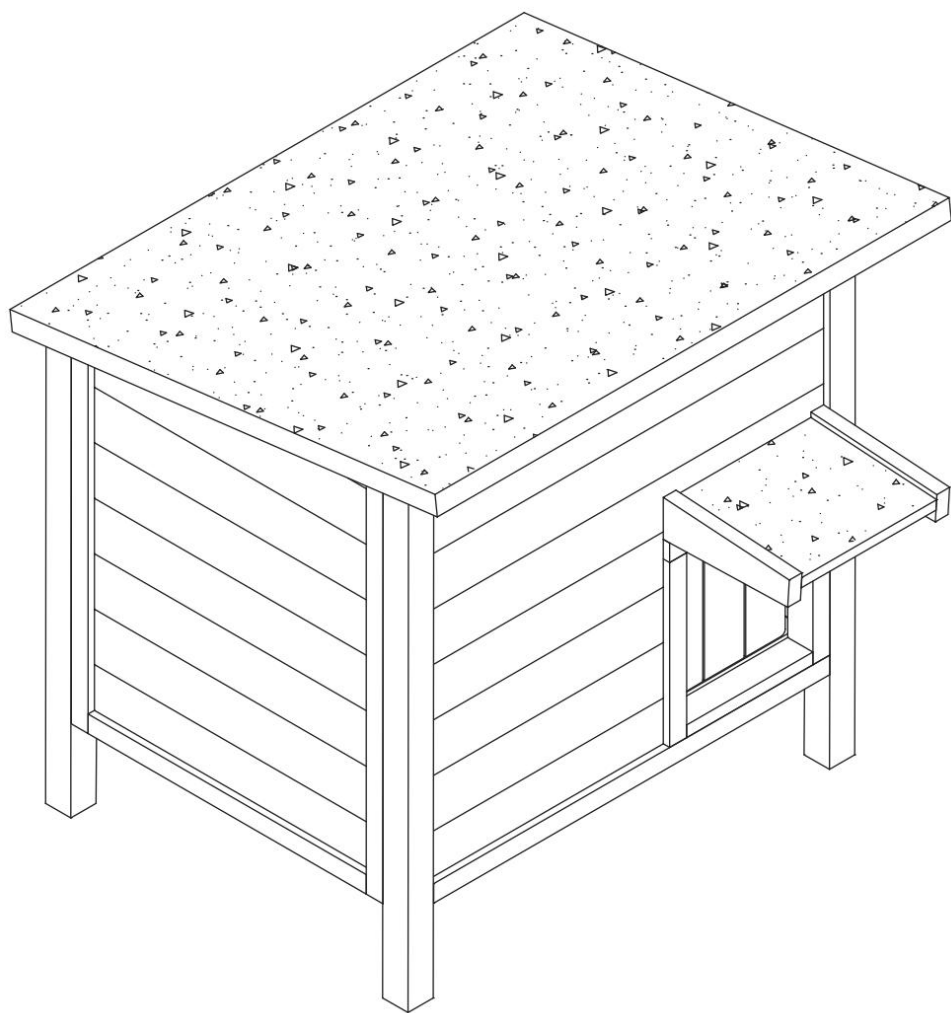
Assemble (7) on the rear piece with screw B.

Note: For screw installation, align the screw positioning identification points on the side panels.



Assemble the two ends of (D) on the roof and the left side sheet with screws B.

Note: For screw installation, align the screw positioning identification points on the side panels.



The assembly is complete.

Manufacturer:Shanghaimuxinmuyeyouxiangongsi

Address: Shuangchenglu 803nong11hao1602A-1609shi, baoshanqu, shanghai 200000 CN.

Imported to AUS: SIHAO PTY LTD. 1 ROKEVA STREETEASTWOOD NSW 2122 Australia

Imported to USA: Sanven Technology Ltd. Suite 250, 9166 Anaheim Place, Rancho Cucamonga, CA 91730

| | |
|-----------|------------|
| EC | REP |
|-----------|------------|

E-CrossStu GmbH

Mainzer Landstr.69, 60329 Frankfurt am Main.

| | |
|-----------|------------|
| UK | REP |
|-----------|------------|

YH CONSULTING LIMITED.

C/O YH Consulting Limited Office 147, Centurion House,
London Road, Staines-upon-Thames, Surrey, TW18 4AX

VEVOR[®]

TOUGH TOOLS, HALF PRICE

Technical Support and E-Warranty Certificate

www.vevor.com/support

VEVOR[®]

TOUGH TOOLS, HALF PRICE

Técnico Soporte y certificado de garantía electrónica www.vevor.com/support

ESTILO GABINETE DE MADERA REFUGIO PARA GATOS MANUAL DE USUARIO

We continue to be committed to provide you tools with competitive price.

"Save Half", "Half Price" or any other similar expressions used by us only represents an estimate of savings you might benefit from buying certain tools with us compared to the major top brands and does not necessarily mean to cover all categories of tools offered by us. You are kindly reminded to verify carefully when you are placing an order with us if you are actually saving half in comparison with the top major brands.

VEVOR[®]

TOUGH TOOLS, HALF PRICE

CABINET STYLE WOODEN CAT SHELTER

DUSCH2403



NEED HELP? CONTACT US!

Have product questions? Need technical support? Please feel free to contact us:

Technical Support and E-Warranty Certificate
www.vevor.com/support

This is the original instruction, please read all manual instructions carefully before operating. VEVOR reserves a clear interpretation of our user manual. The appearance of the product shall be subject to the product you received. Please forgive us that we won't inform you again if there are any technology or software updates on our product.

Precauciones de seguridad

ADVERTENCIA:

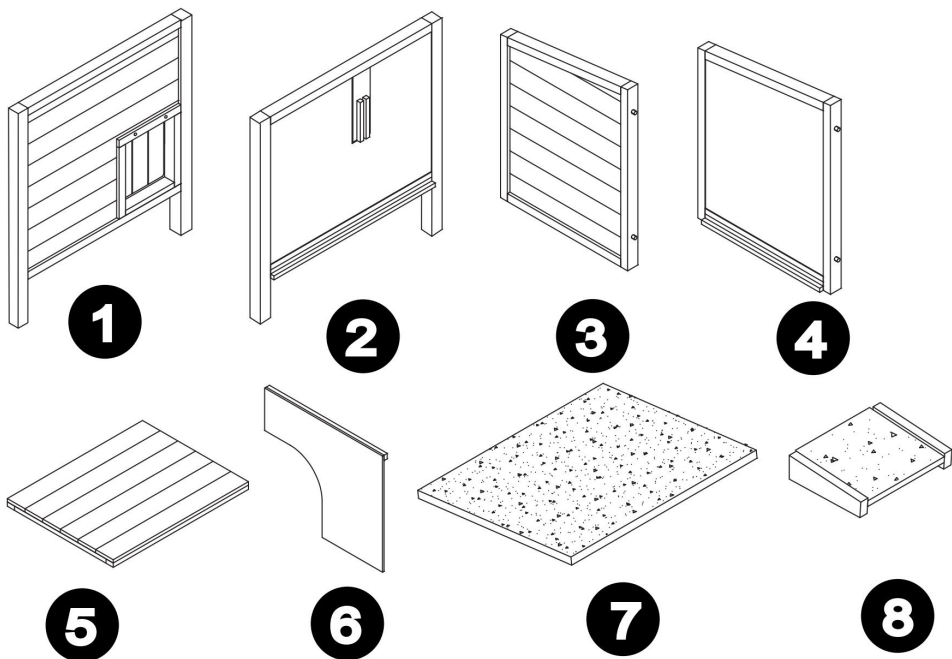
Lea estas instrucciones antes de usar este producto. De lo contrario, se pueden producir lesiones graves. Siempre se deben seguir las precauciones básicas , incluidas las siguientes:

7. El refugio para gatos de madera estilo gabinete No se puede utilizar ni almacenar en zonas peligrosas. No está permitido utilizar el aparato en lugares peligrosos.
8. El refugio para gatos de madera estilo gabinete Se debe verificar para garantizar que esté en buenas condiciones de funcionamiento y que funcione de manera segura antes de su uso. De lo contrario , no se debe utilizar el aparato.
9. Mantenga cerrado el techo del Kabinestell Wooden Carter Shelter, de lo contrario provocará la entrada de agua.
10. Limpie el estiércol y la basura de la casa con regularidad.
11. El operador debe utilizar el refugio para gatos de madera estilo gabinete. adecuadamente. Debe tener en cuenta las condiciones locales y prestar atención a terceros , en particular a los niños , cuando trabaje con el refugio para gatos de madera Cabinet Style .
12. Este refugio para gatos de madera estilo gabinete no está destinado a ser utilizado por personas (incluidos niños) con capacidades físicas , sensoriales o

mentales reducidas o que carezcan de experiencia y/o conocimientos , a menos que estén supervisados por una persona responsable de su seguridad o sean instruidos por estas personas sobre el uso de el dispositivo. Los niños deben ser supervisados para asegurarse de que no jueguen con el Refugio para gatos de madera estilo gabinete .

GUARDA ESTAS INSTRUCCIONES

Lista de productos



A



3.5×50 8+ (1Spare parts)

B



3.0×16 8+ (1Spare parts)

C

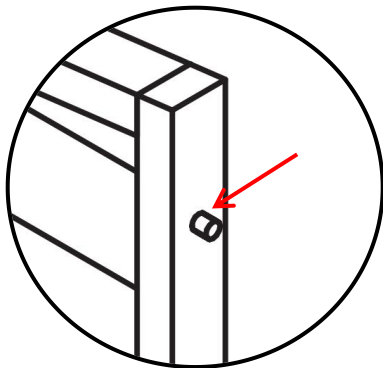
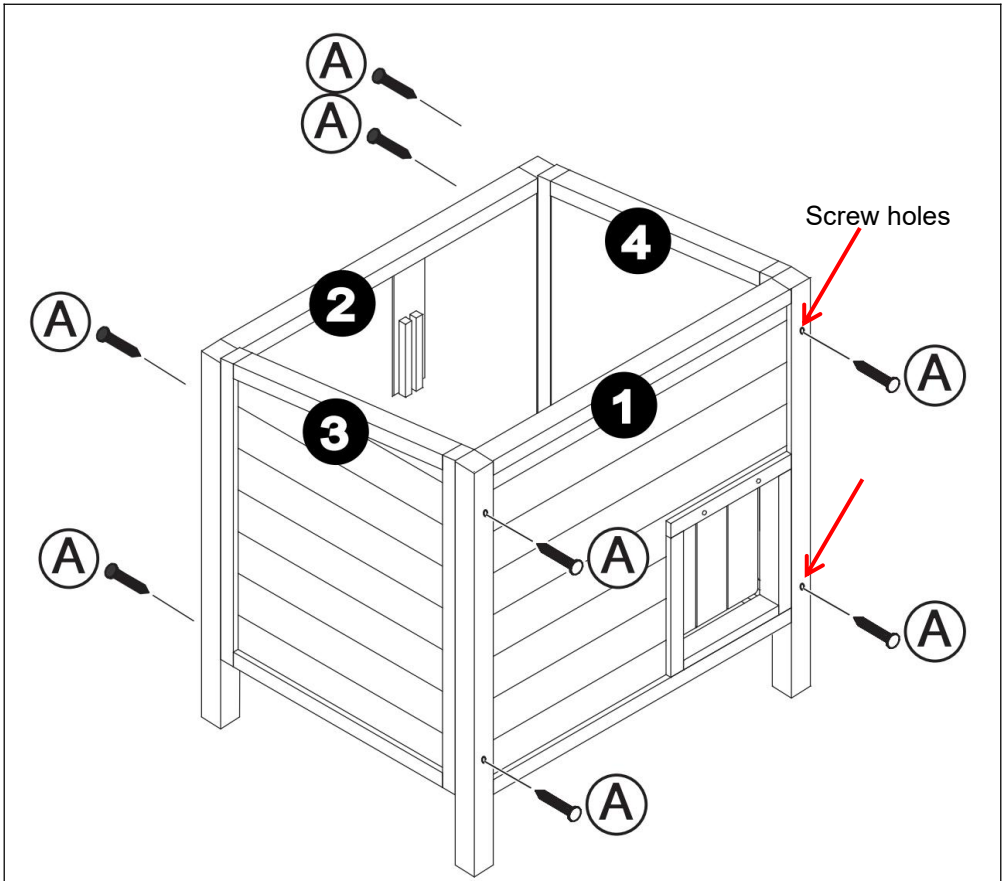


M6×60 2



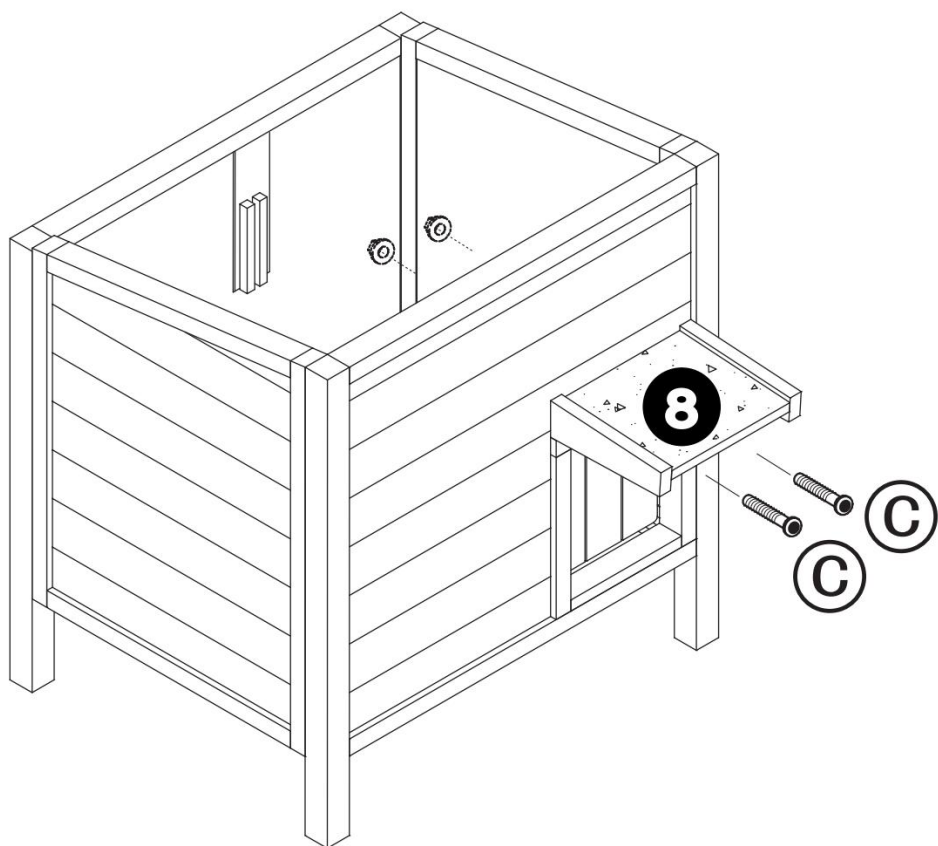
D

Producto A montaje

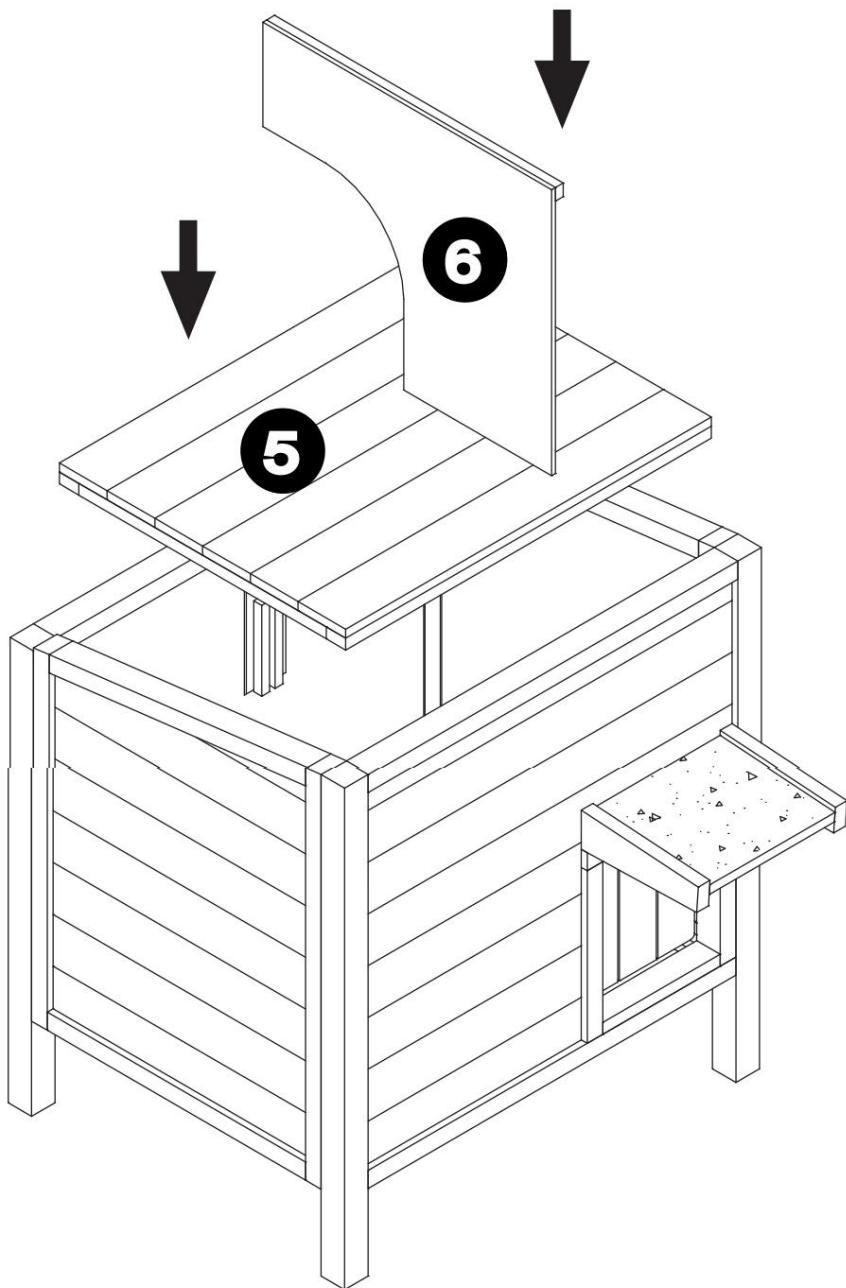


3 4 side pieces have positioning posts that can be used to position and assemble with 1 2.

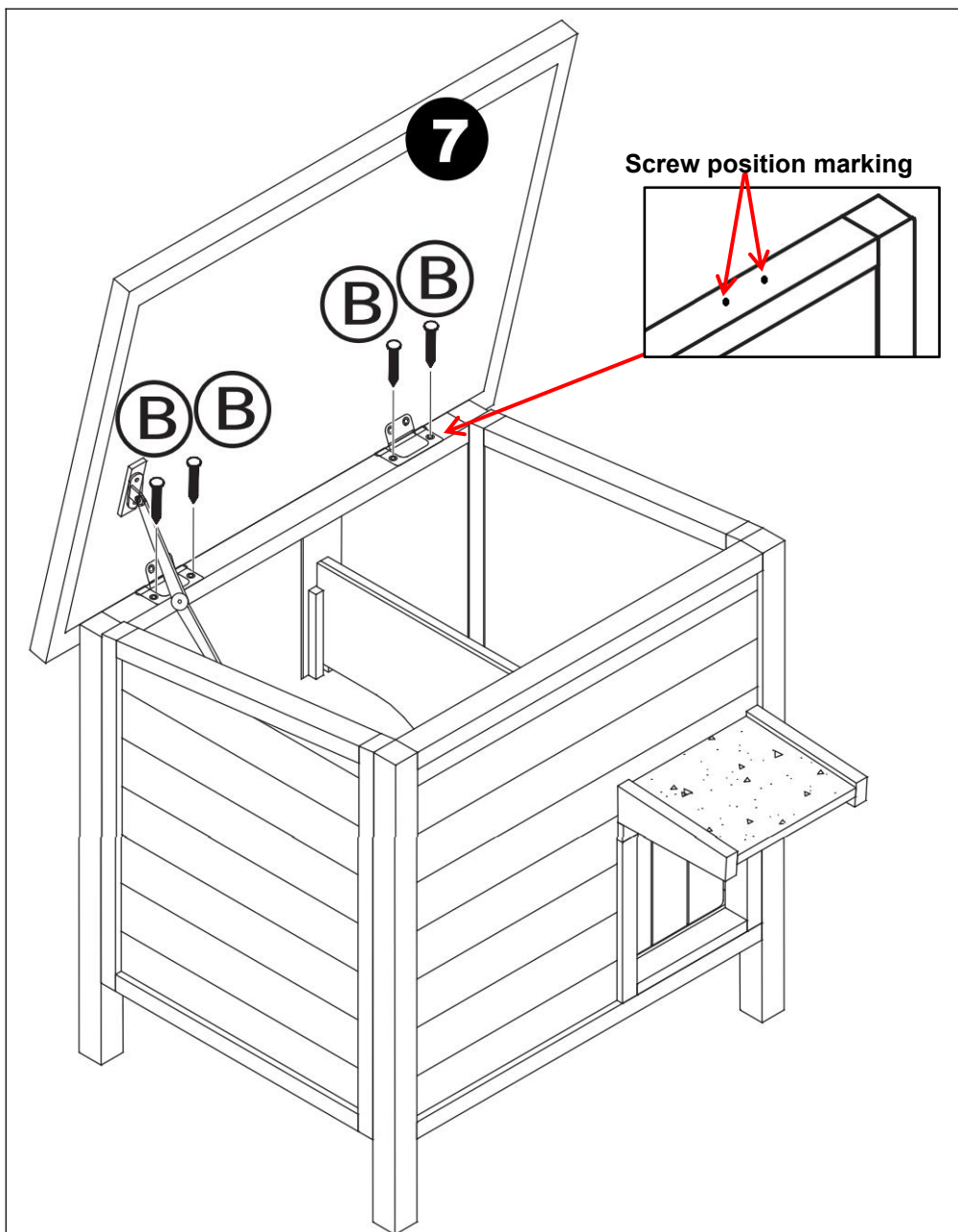
Ensamble y fije (1, 2, 3 y 4) con los tornillos A.



Montar (8) en la pieza frontal con el perno C.

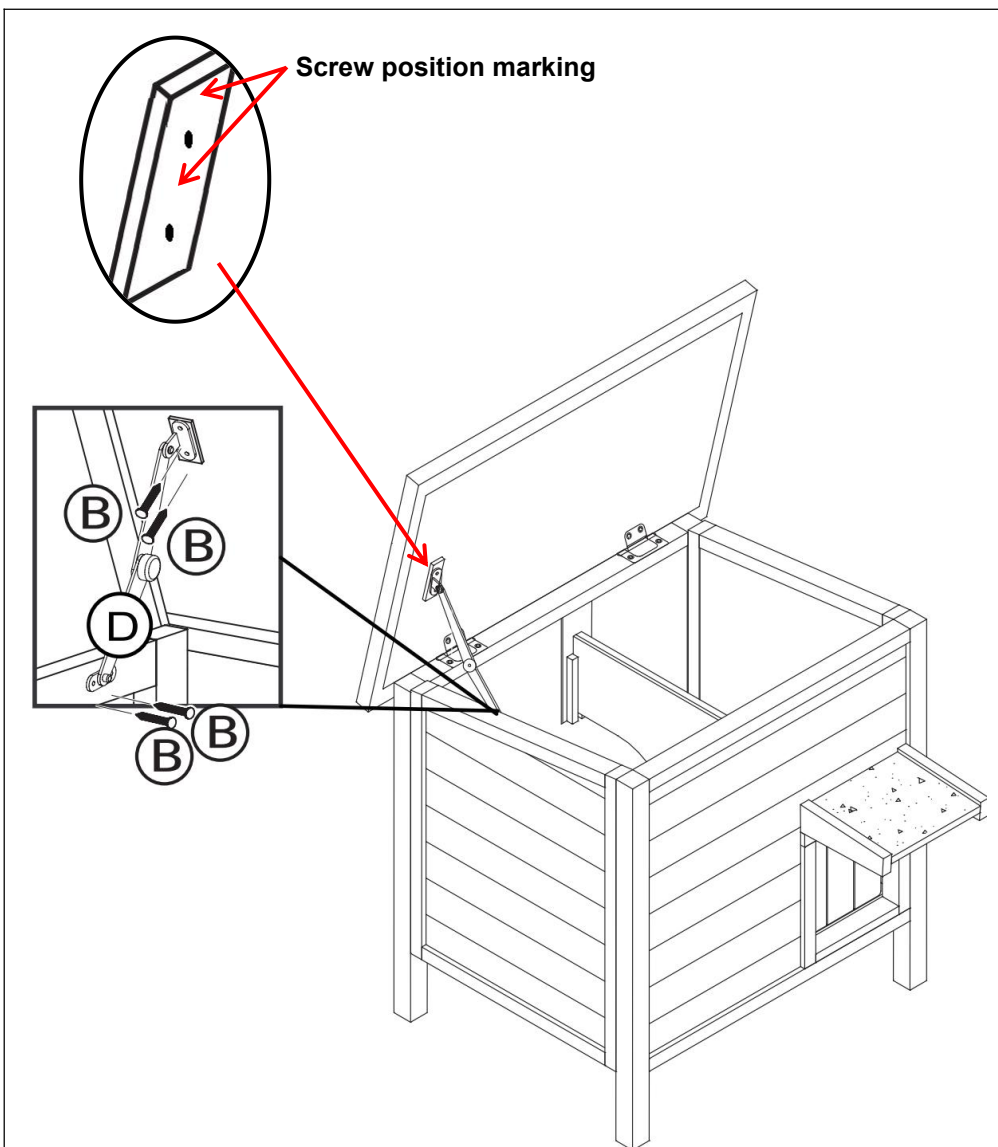


Pon (5 y 6) en la dirección de las flechas .



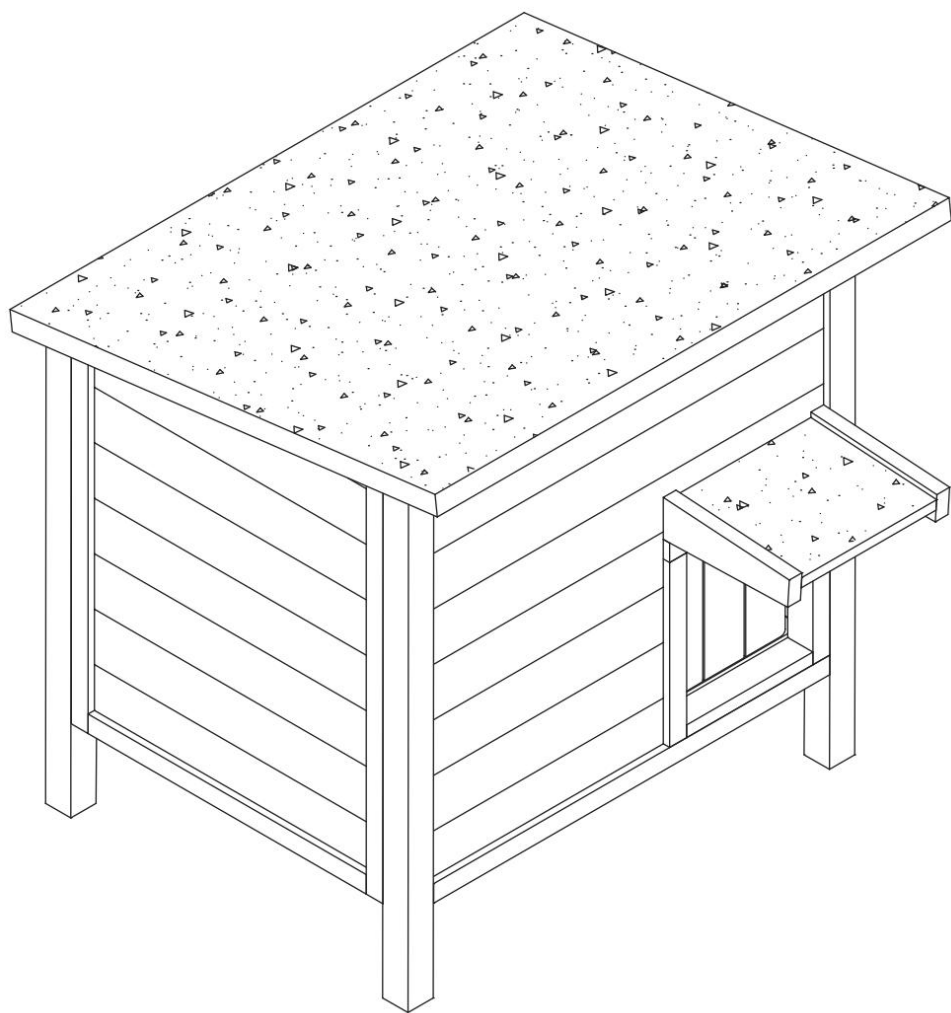
Montar (7) en la pieza trasera con el tornillo B .

Nota: Para la instalación de tornillos, alinee los puntos de identificación de posición de los tornillos en los paneles laterales.



Ensamble los dos extremos de (D) en el techo y la lámina lateral izquierda con tornillos B .

Nota: Para la instalación de tornillos, alinee los puntos de identificación de posición de los tornillos en los paneles laterales.



El montaje está completo .

Fabricante : Shanghaimuxinmuyeyouxiangongsi

Dirección: Shuangchenglu 803nong11hao1602A-1609shi, baoshanqu, shanghai 200000 CN.

Importado a AUS: SIHAO PTY LTD. 1 ROKEVA STREET ASTWOOD NSW 2122 Australia

Importado a EE. UU.: Sanven Technology Ltd. Suite 250, 9166 Anaheim Lugar, Rancho Cucamonga, CA 91730

| | |
|-----------|------------|
| EC | REP |
|-----------|------------|

E-CrossStu GmbH

Mainzer Landstr.69, 60329 Frankfurt am Main.

| | |
|-----------|------------|
| UK | REP |
|-----------|------------|

YH CONSULTING LIMITED.

C/O YH Consulting Limited Office 147, Centurion House,
London Road, Staines-upon-Thames, Surrey, TW18 4AX

VEVOR[®]

TOUGH TOOLS, HALF PRICE

Técnico Certificado de soporte y garantía electrónica

www.vevor.com/support

VEVOR[®]

TOUGH TOOLS, HALF PRICE

Tecnico Supporto e certificato di garanzia elettronica www.vevor.com/support

MOBILE IN STILE LEGNO

RIFUGIO PER GATTI

MANUALE D'USO

We continue to be committed to provide you tools with competitive price.

"Save Half", "Half Price" or any other similar expressions used by us only represents an estimate of savings you might benefit from buying certain tools with us compared to the major top brands and does not necessarily mean to cover all categories of tools offered by us. You are kindly reminded to verify carefully when you are placing an order with us if you are actually saving half in comparison with the top major brands.

VEVOR[®]

TOUGH TOOLS, HALF PRICE

CABINET STYLE WOODEN CAT SHELTER

DUSCH2403



NEED HELP? CONTACT US!

Have product questions? Need technical support? Please feel free to contact us:

Technical Support and E-Warranty Certificate
www.vevor.com/support

This is the original instruction, please read all manual instructions carefully before operating. VEVOR reserves a clear interpretation of our user manual. The appearance of the product shall be subject to the product you received. Please forgive us that we won't inform you again if there are any technology or software updates on our product.

Misure di sicurezza

AVVERTIMENTO:

Leggere queste istruzioni prima di utilizzare questo prodotto. In caso contrario, si potrebbero verificare lesioni gravi. È necessario seguire sempre le precauzioni di base , incluse le seguenti:

13. Il rifugio per gatti in legno stile armadietto non può essere utilizzato o conservato in aree pericolose. Non è consentito utilizzare l'apparecchio in luoghi pericolosi.

14. Il rifugio per gatti in legno stile armadietto deve essere controllato per garantire che sia in buone condizioni di funzionamento e funzioni in sicurezza prima dell'uso. In caso contrario l' apparecchio non deve essere utilizzato.

15. Si prega di tenere chiuso il tetto del riparo in legno Kabinestell Carter, altrimenti potrebbe verificarsi l'ingresso di acqua.

16. Si prega di pulire regolarmente il letame e la spazzatura in casa.

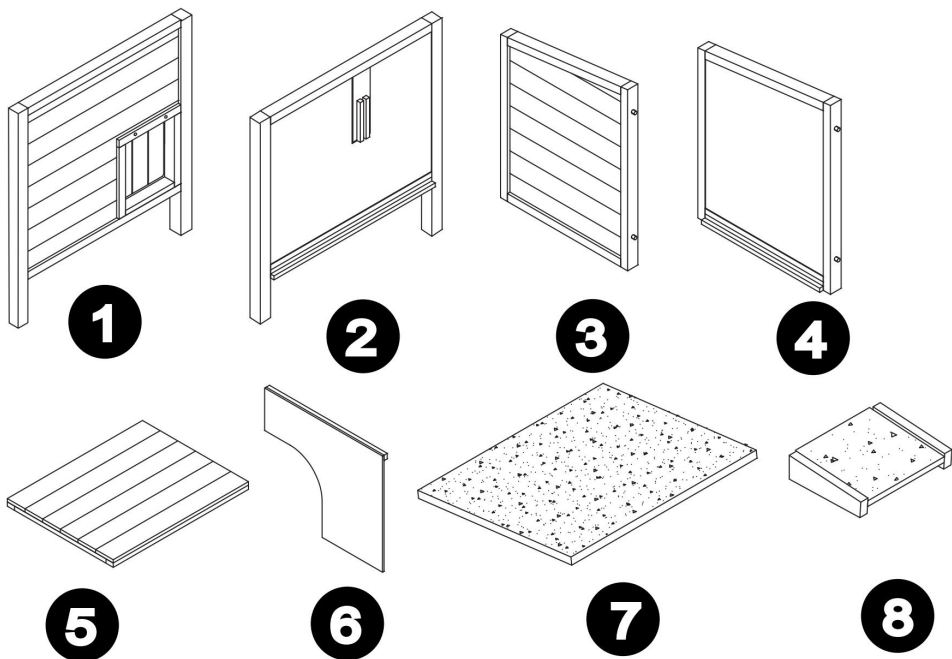
17. L'operatore deve utilizzare il rifugio per gatti in legno stile armadio correttamente. Quando si lavora con il rifugio per gatti in legno Cabinet Style , è necessario considerare le condizioni locali e prestare attenzione a terzi , in particolare ai bambini .

18. Questo rifugio per gatti in legno in stile armadietto non è destinato all'uso da parte di persone (compresi i bambini) con ridotte capacità fisiche , sensoriali o

mentali o prive di esperienza e/o conoscenza , a meno che non siano supervisionate da una persona responsabile della loro sicurezza o siano istruite da queste persone sull'uso di il dispositivo. I bambini devono essere sorvegliati per assicurarsi che non giochino con il Rifugio per gatti in legno stile armadietto .

CONSERVA QUESTE ISTRUZIONI

Elenco prodotti



A



3.5×50 8+ (1 Spare parts)

B



3.0×16 8+ (1 Spare parts)

C

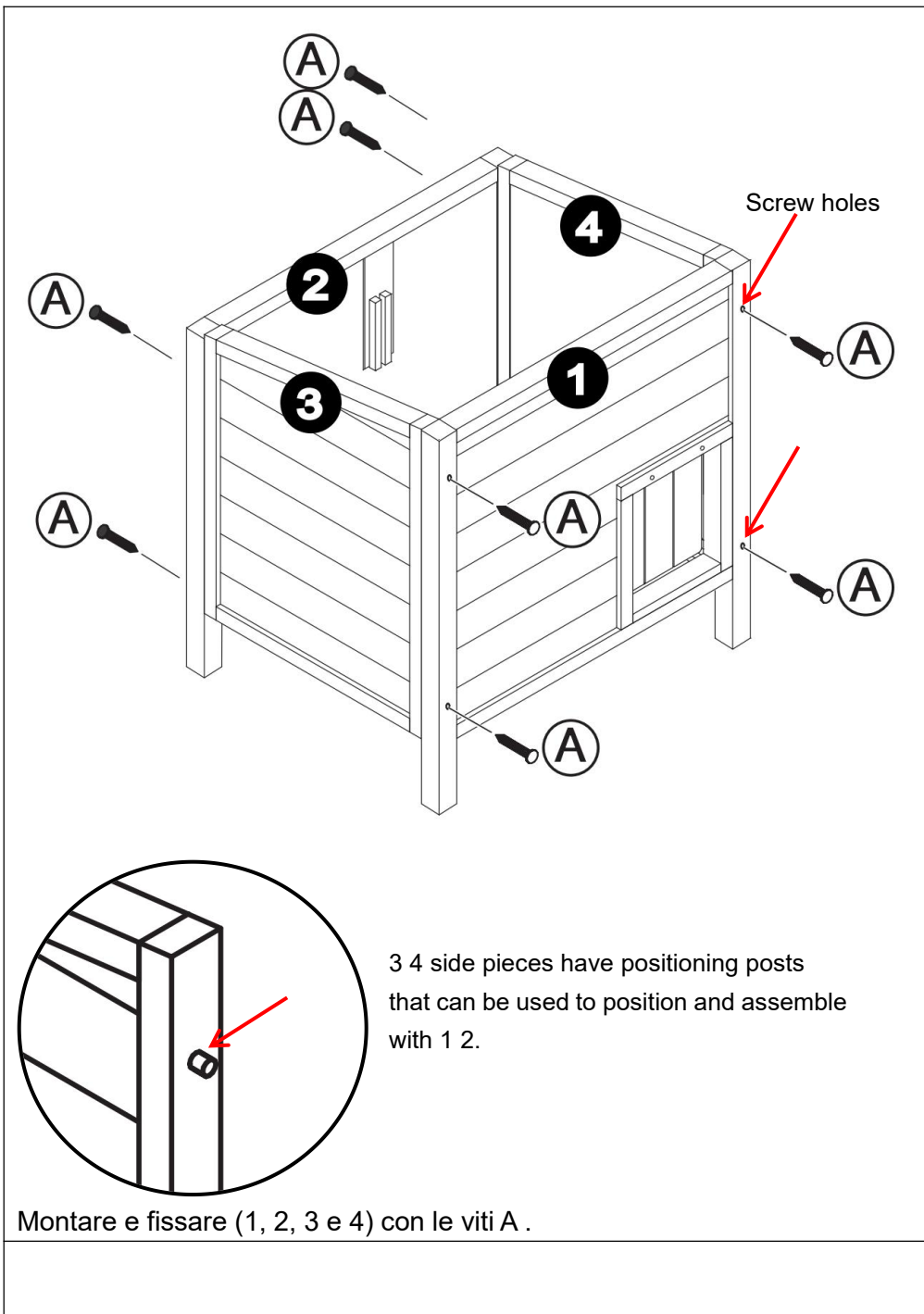


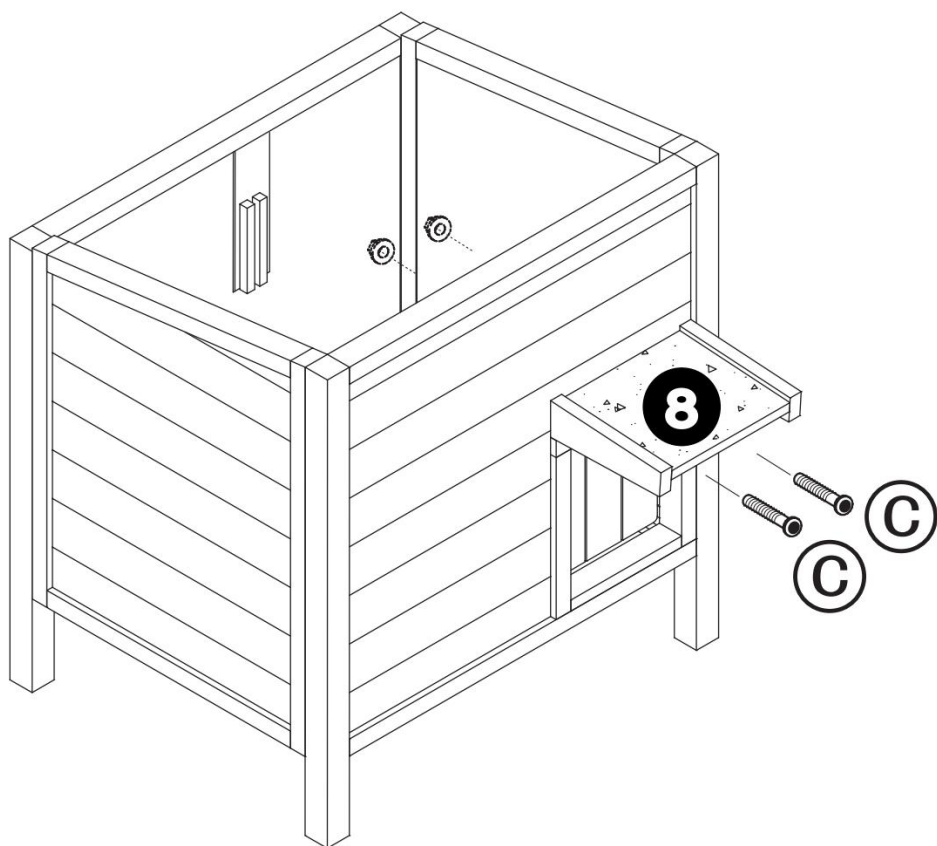
M6×60 2



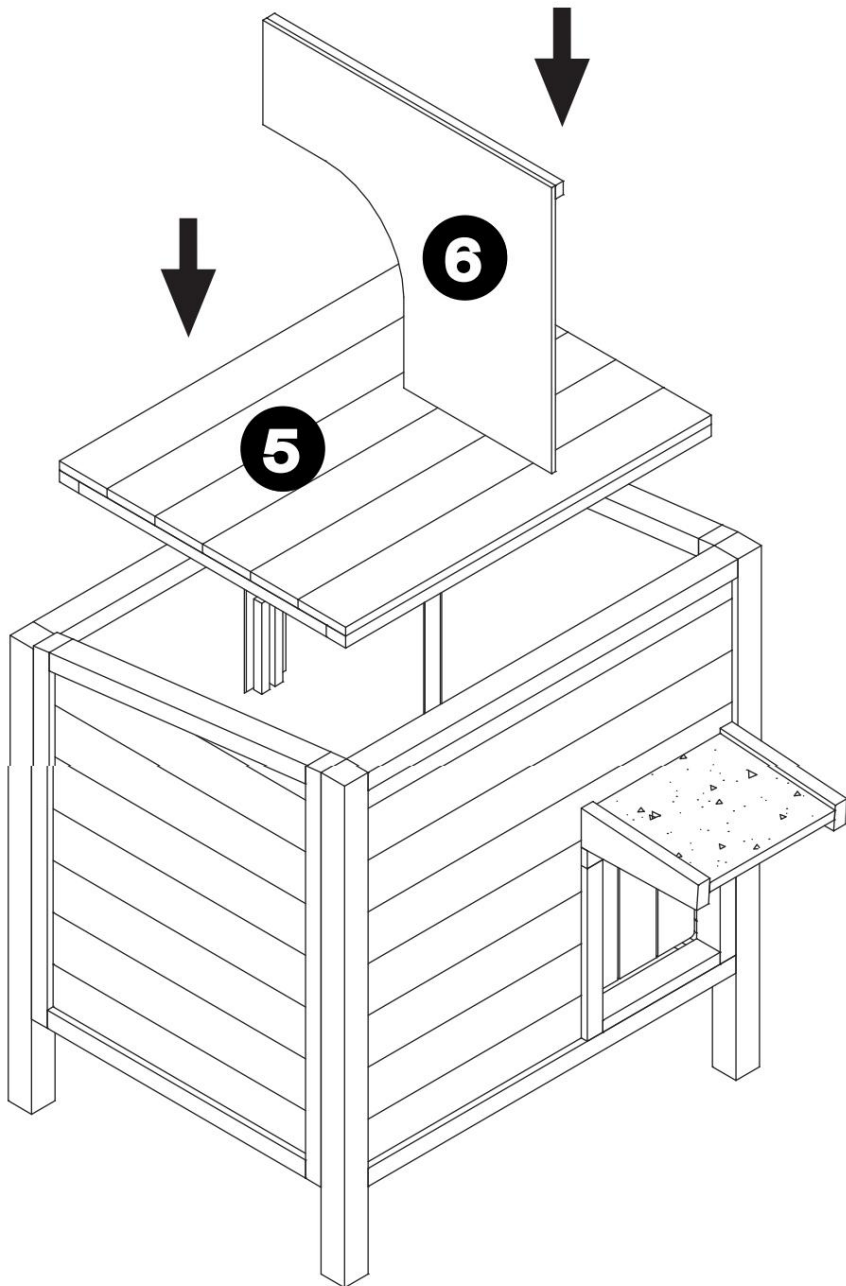
D

Prodotto A assemblaggio

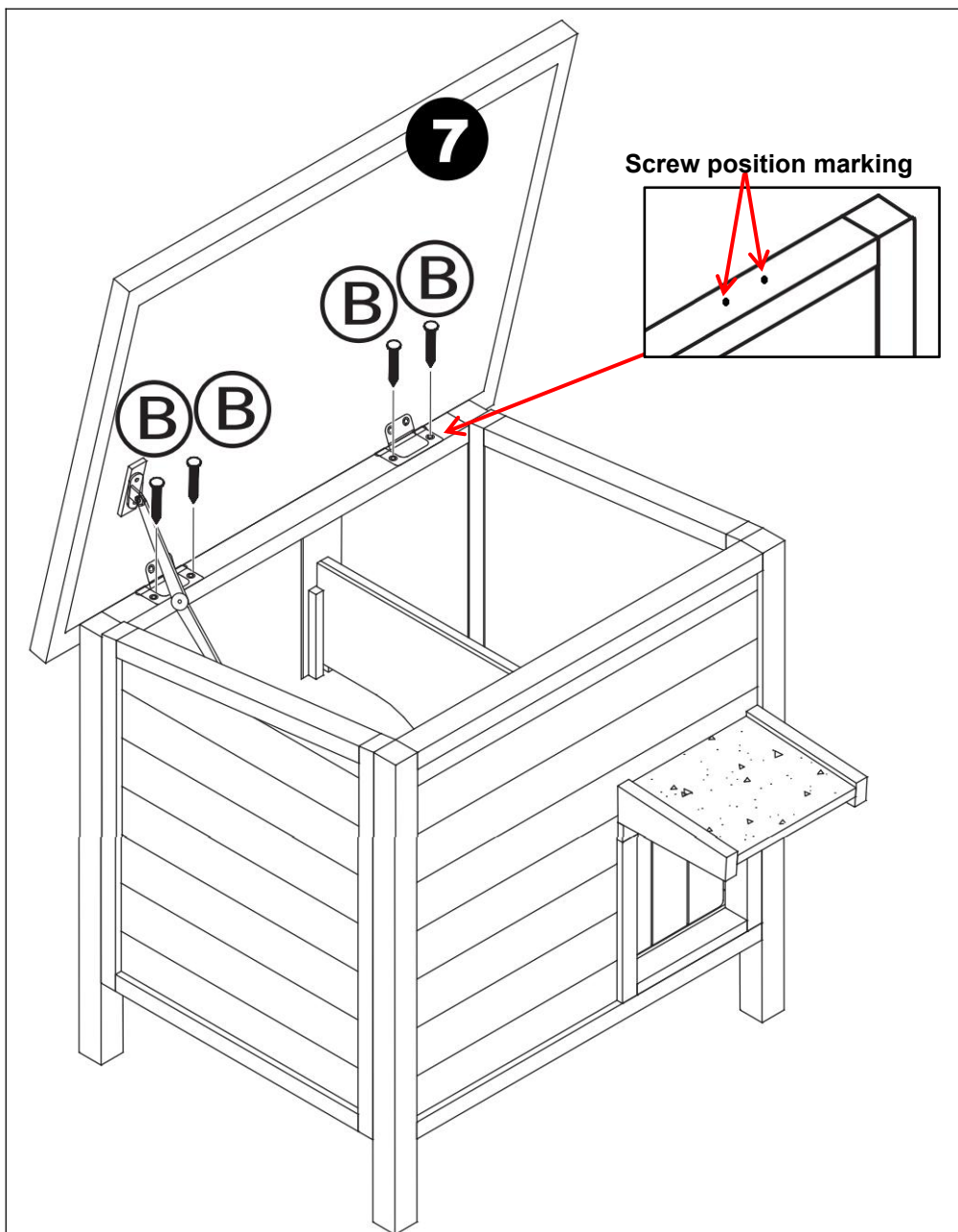




Montare (8) sulla parte anteriore con il bullone C .

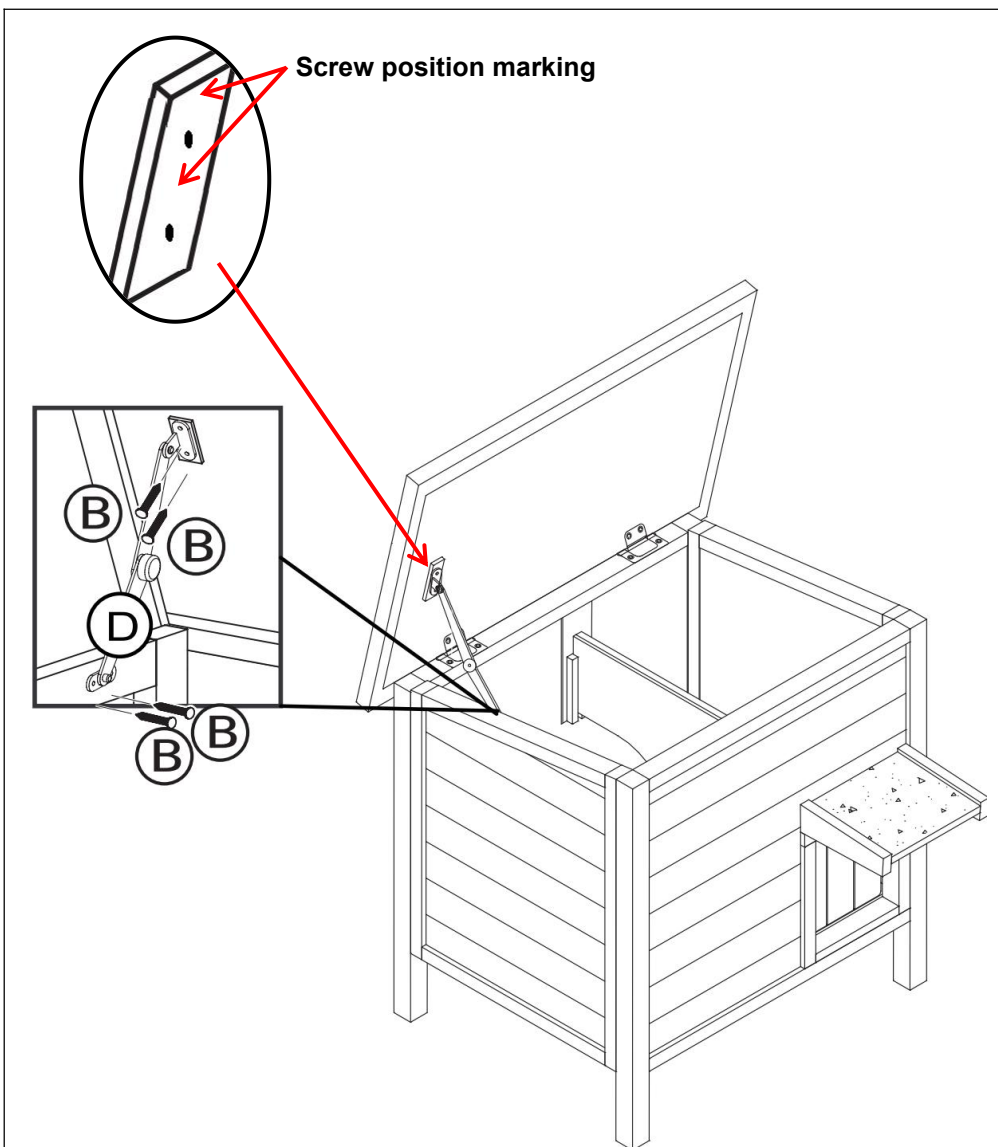


Posizionare (5 e 6) nella direzione delle frecce .



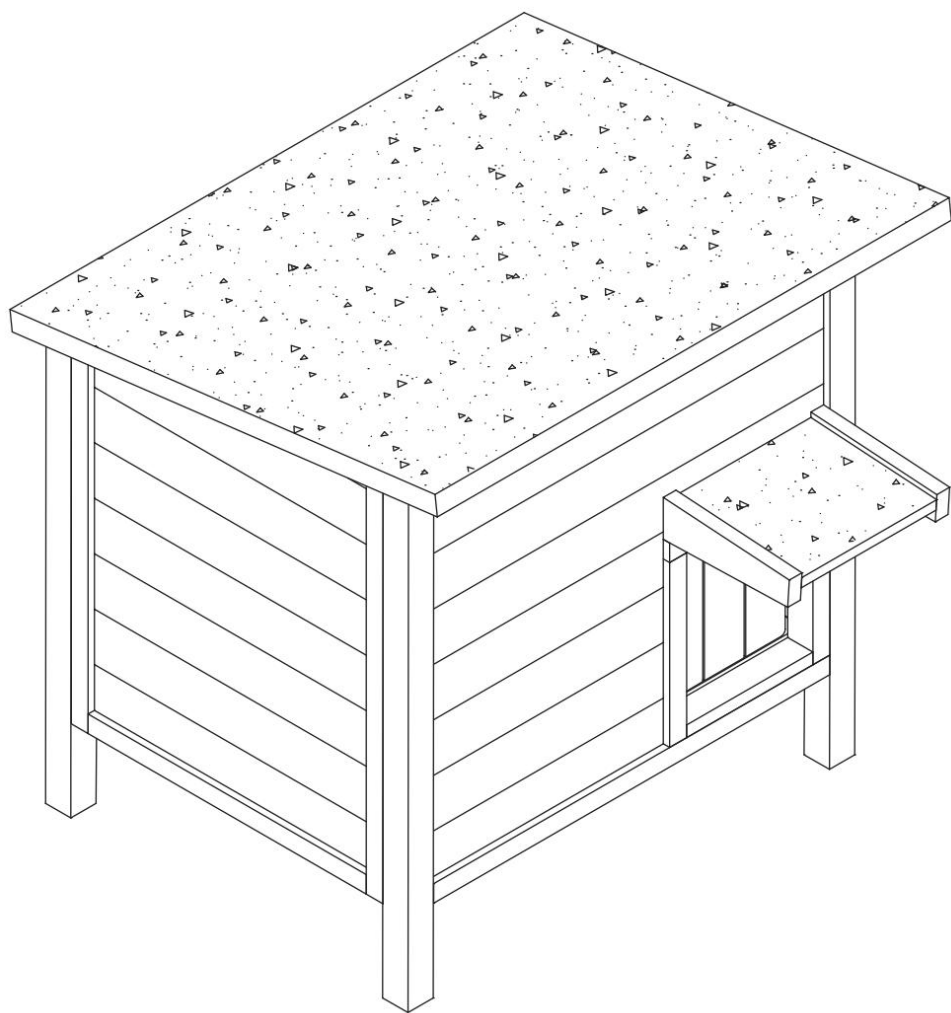
Montare (7) sulla parte posteriore con la vite B .

Nota: per l'installazione con viti, allineare i punti di identificazione del posizionamento delle viti sui pannelli laterali.



Assemblare le due estremità di (D) sul tetto e sulla lamiera laterale sinistra con le viti B .

Nota: per l'installazione con viti, allineare i punti di identificazione del posizionamento delle viti sui pannelli laterali.



L'assemblaggio è completo .

Produttore : Shanghaimuxinmuyeyouxiangongsi

Indirizzo: Shuangchenglu 803nong11hao1602A-1609shi, baoshanqu, shanghai 200000 CN.

Importato in AUS: SIHAO PTY LTD. 1 ROKEVA STREETEASTWOOD NSW 2122 Australia

Importato negli Stati Uniti: Sanven Technology Ltd. Suite 250, 9166 Anaheim

Luogo, Rancho Cucamonga, CA 91730

| | |
|-----------|------------|
| EC | REP |
|-----------|------------|

E-CrossStu GmbH

Mainzer Landstr.69, 60329 Frankfurt am Main.

| | |
|-----------|------------|
| UK | REP |
|-----------|------------|

YH CONSULTING LIMITED.

C/O YH Consulting Limited Office 147, Centurion House,
London Road, Staines-upon-Thames, Surrey, TW18 4AX

VEVOR[®]

TOUGH TOOLS, HALF PRICE

Tecnico Supporto e certificato di garanzia elettronica

www.vevor.com/support

VEVOR[®]

TOUGH TOOLS, HALF PRICE

Techniczny Certyfikat wsparcia i e-gwarancji www.vevor.com/support

SZAFKA W STYLU DREWNIANYM

SCHRONISKO DLA KOTÓW

INSTRUKCJA OBSŁUGI

We continue to be committed to provide you tools with competitive price.

"Save Half", "Half Price" or any other similar expressions used by us only represents an estimate of savings you might benefit from buying certain tools with us compared to the major top brands and does not necessarily mean to cover all categories of tools offered by us. You are kindly reminded to verify carefully when you are placing an order with us if you are actually saving half in comparison with the top major brands.

VEVOR[®]

TOUGH TOOLS, HALF PRICE

CABINET STYLE WOODEN CAT SHELTER

DUSCH2403



NEED HELP? CONTACT US!

Have product questions? Need technical support? Please feel free to contact us:

Technical Support and E-Warranty Certificate
www.vevor.com/support

This is the original instruction, please read all manual instructions carefully before operating. VEVOR reserves a clear interpretation of our user manual. The appearance of the product shall be subject to the product you received. Please forgive us that we won't inform you again if there are any technology or software updates on our product.

Środki ostrożności

OSTRZEŻENIE:

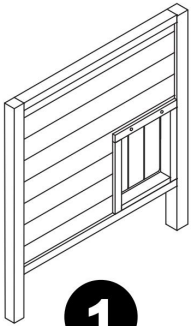
Przeczytaj tę instrukcję przed użyciem tego produktu. Niezastosowanie się do tego może spowodować poważne obrażenia. należy zawsze przestrzegać podstawowych środków ostrożności , w tym:

19. Drewniane schronisko dla kota w stylu szafki nie wolno używać ani przechowywać w obszarach niebezpiecznych. Nie wolno używać urządzenia w miejscach niebezpiecznych.
20. Drewniane schronisko dla kota w stylu szafki przed użyciem należy sprawdzić, czy jest w dobrym stanie i czy działa bezpiecznie. W przeciwnym razie nie wolno używać urządzenia.
21. Dach wiaty Kabinestell Wooden Carter Shelter powinien być zamknięty, w przeciwnym razie spowoduje to wnikanie wody.
22. Prosimy o regularne sprzątanie domu z obornika i śmieci.
23. Operator musi korzystać z drewnianego schroniska dla kota w kształcie szafki odpowiednio. Podczas pracy z drewnianym schroniskiem dla kotów typu Cabinet Style musi on wziąć pod uwagę lokalne warunki i zwracać uwagę na osoby trzecie , w szczególności na dzieci .
24. To drewniane schronisko dla kota w stylu szafki nie jest przeznaczony do użytku przez osoby (w tym dzieci) o ograniczonych zdolnościach fizycznych ,

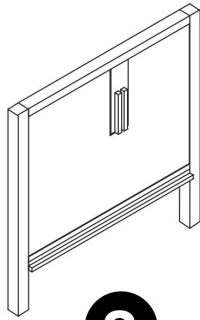
sensorycznych lub umysłowych lub nieposiadające doświadczenia i/lub wiedzy ,
chyba że znajdują się pod nadzorem osoby odpowiedzialnej za ich
bezpieczeństwo lub zostaną przez te osoby poinstruowane w zakresie obsługi
urządzenie. Dzieci należy nadzorować , aby mieć pewność, że nie bawią się
urządzeniem Drewniane schronisko dla kota w stylu szafki .

ZACHOWAJ TE INSTRUKCJE

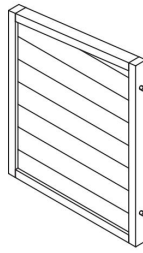
Lista produktów



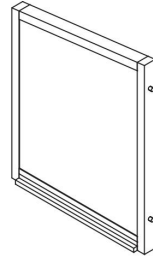
1



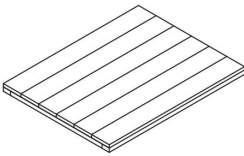
2



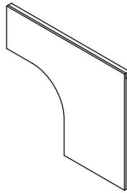
3



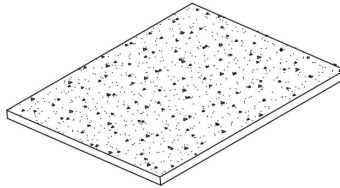
4



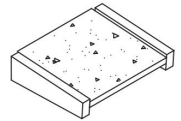
5



6



7



8

A



3.5×50 8+ (1 Spare parts)

B



3.0×16 8+ (1 Spare parts)

C

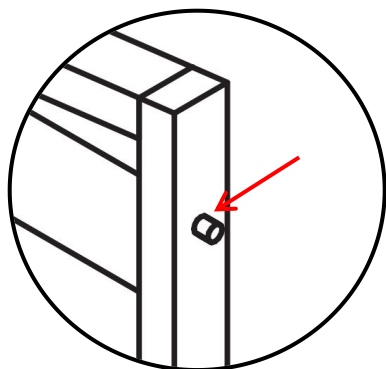
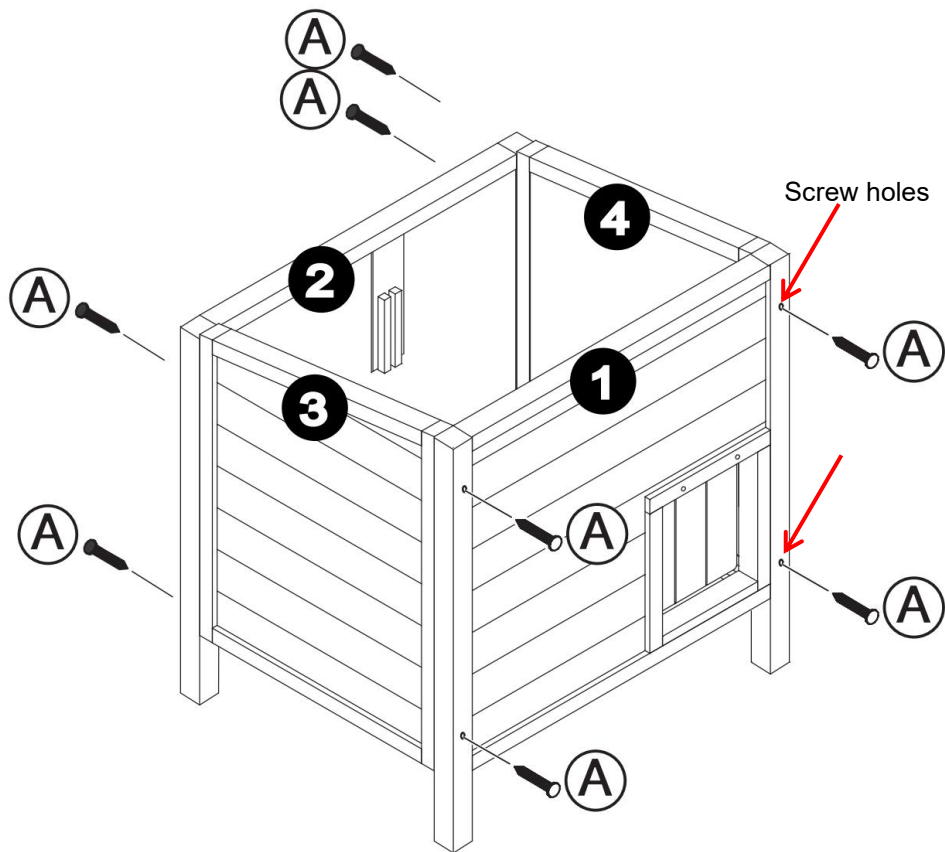


M6×60 2



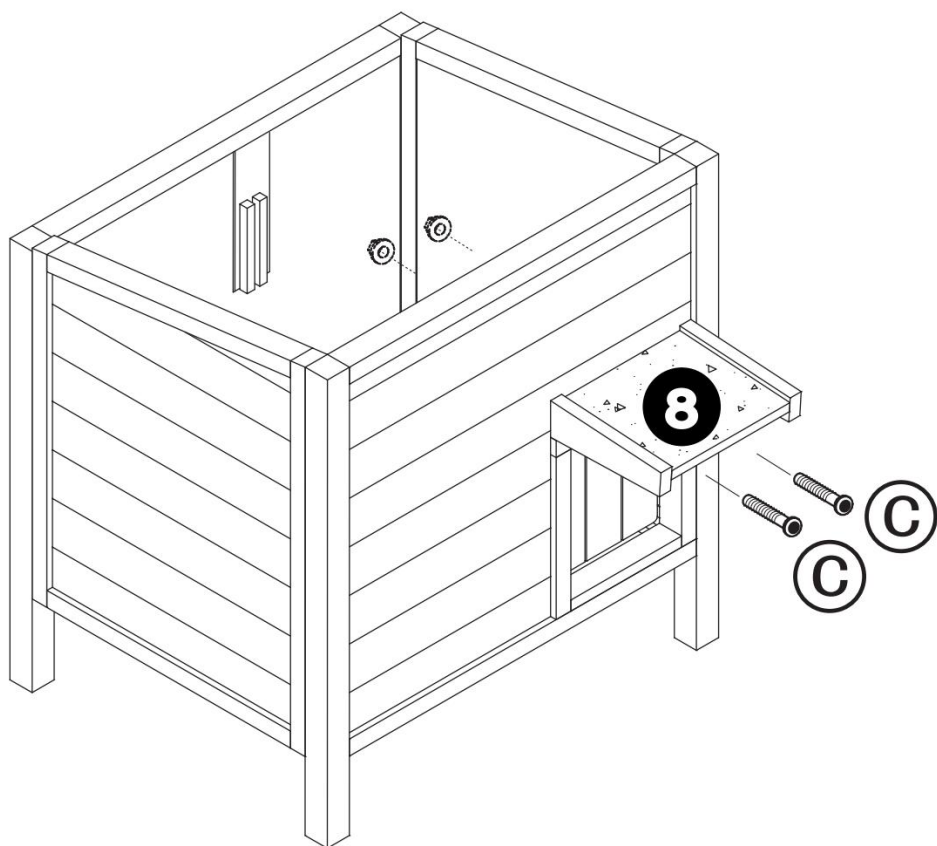
D

Produkt A

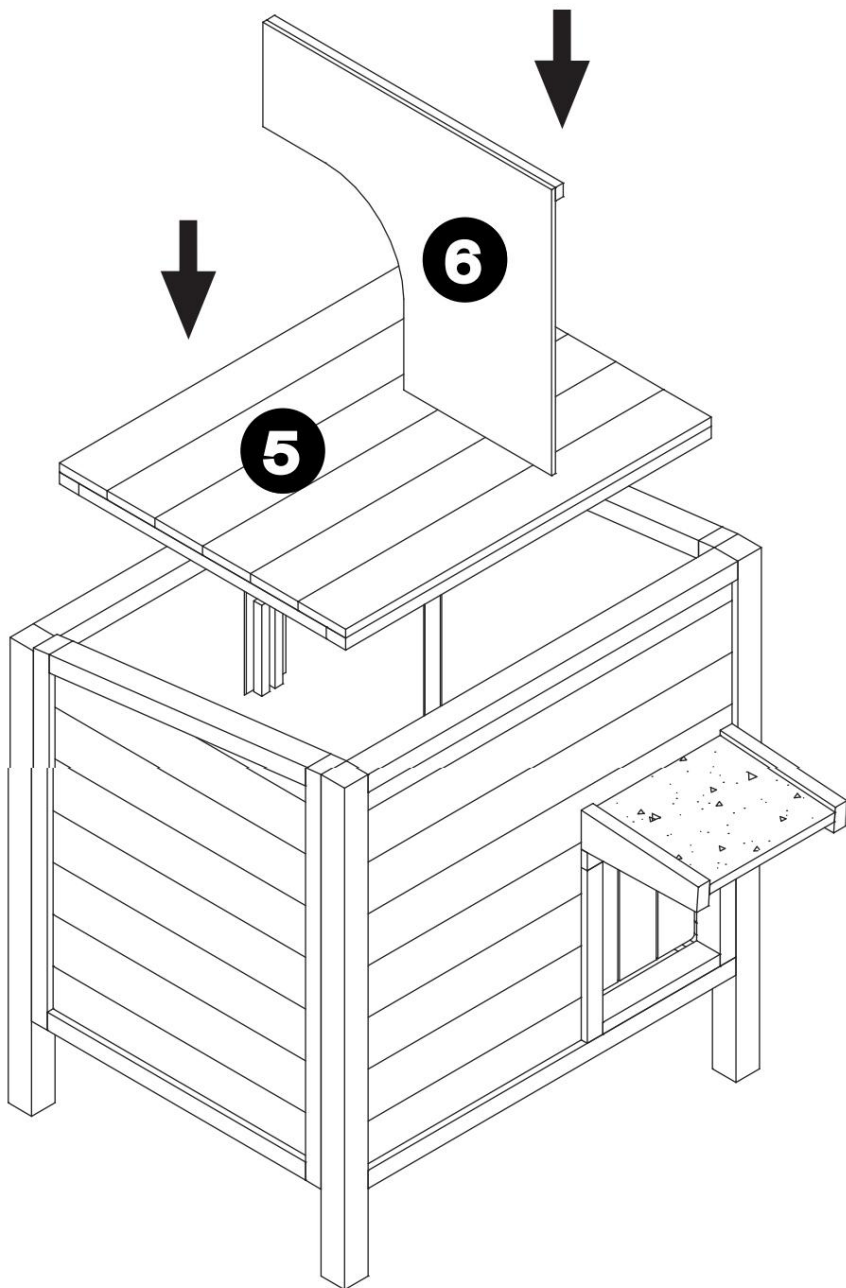


3 4 side pieces have positioning posts that can be used to position and assemble with 1 2.

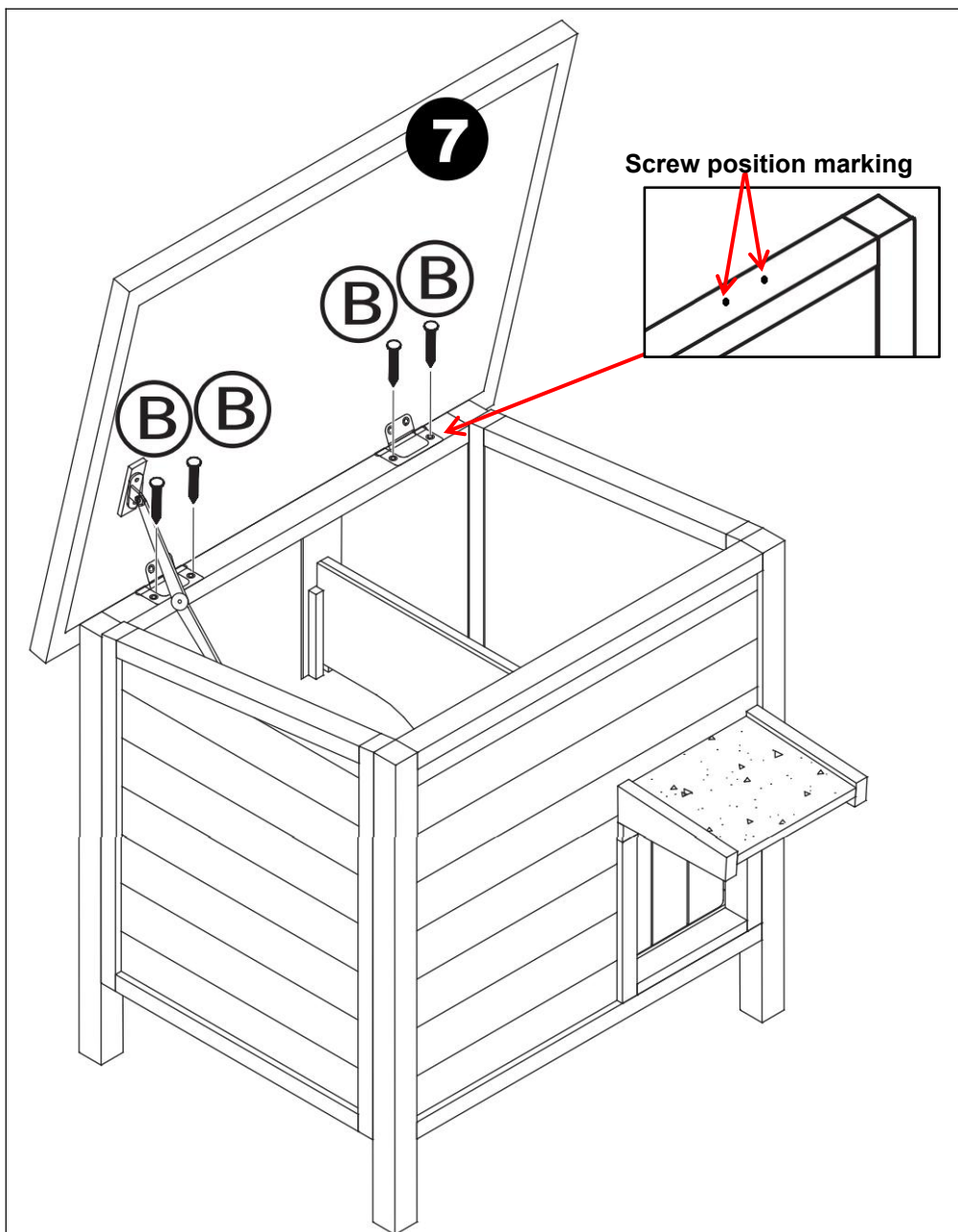
Zmontować i przymocować (1, 2, 3 i 4) śrubami A.



Zamontować (8) na części przedniej za pomocą śruby C .

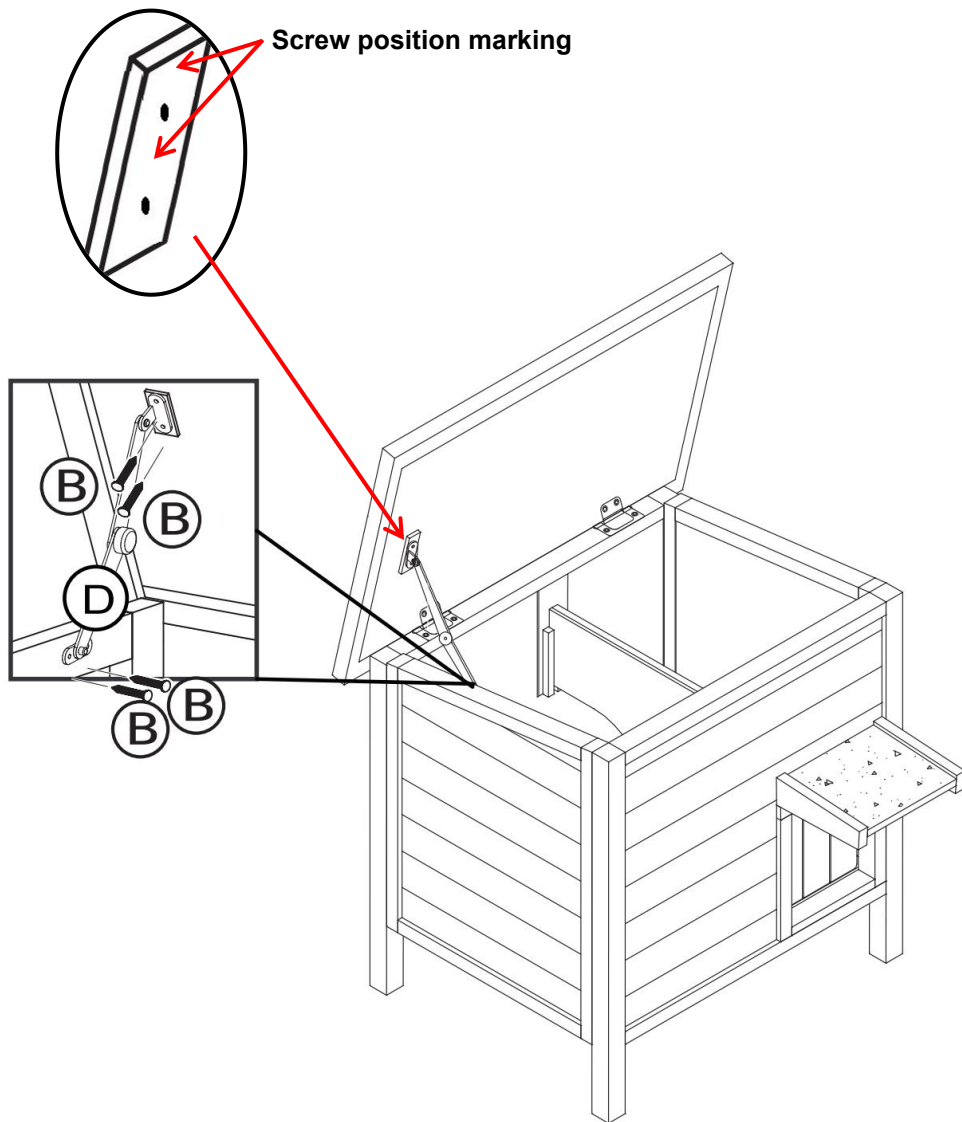


Umieść (5 i 6) w kierunku strzałek .



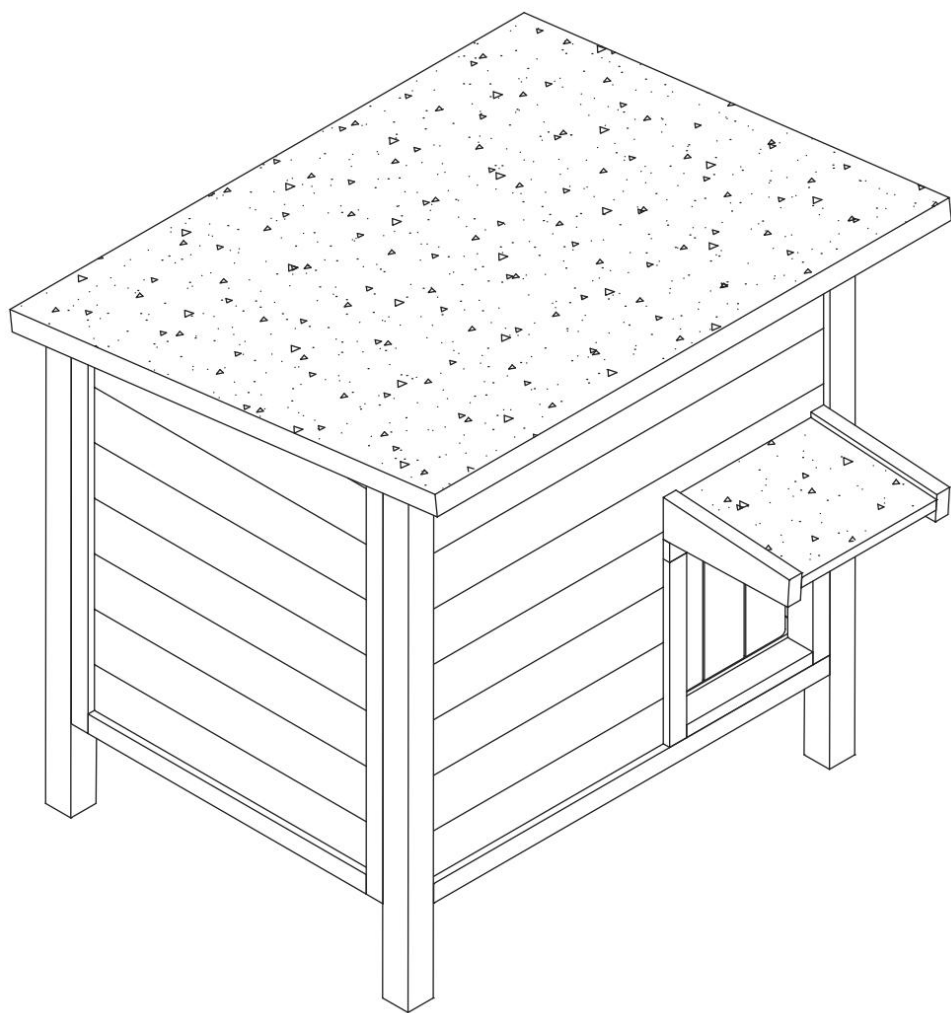
Zamontuj (7) na tylnej części za pomocą śruby B .

Uwaga: W przypadku montażu śrubowego wyrównaj punkty identyfikacyjne położenia śrub na panelach bocznych.



Zamontuj dwa końce (D) na dachu i lewym arkuszu bocznym za pomocą śrub B .

Uwaga: W przypadku montażu śrubowego wyrównaj punkty identyfikacyjne położenia śrub na panelach bocznych.



Montaż jest kompletny .

Producent : Shanghaimuxinmuyeyouxiangongsi

Adres: Shuangchenglu 803nong11hao1602A-1609shi, baoshanqu, szanghaj 200000 CN.

Import do AUS: SIHAO PTY LTD. 1 ROKEVA STREETEASTWOOD NSW 2122 Australia

Import do USA: Sanven Technology Ltd. Suite 250, 9166 Anaheim Place, Rancho Cucamonga, Kalifornia 91730

| | |
|-----------|------------|
| EC | REP |
|-----------|------------|

E-CrossStu GmbH

Mainzer Landstr.69, 60329 Frankfurt am Main.

| | |
|-----------|------------|
| UK | REP |
|-----------|------------|

YH CONSULTING LIMITED.

C/O YH Consulting Limited Office 147, Centurion House,
London Road, Staines-upon-Thames, Surrey, TW18 4AX

VEVOR[®]

TOUGH TOOLS, HALF PRICE

Techniczny Certyfikat wsparcia i e-gwarancji

www.vevor.com/support

VEVOR[®]

TOUGH TOOLS, HALF PRICE

Technisch Support und E-Garantie-Zertifikat www.vevor.com/support

SCHRANKSTIL: HOLZ KATZENUNTERKUNFT BENUTZERHANDBUCH

We continue to be committed to provide you tools with competitive price.

"Save Half", "Half Price" or any other similar expressions used by us only represents an estimate of savings you might benefit from buying certain tools with us compared to the major top brands and does not necessarily mean to cover all categories of tools offered by us. You are kindly reminded to verify carefully when you are placing an order with us if you are actually saving half in comparison with the top major brands.

VEVOR[®]

TOUGH TOOLS, HALF PRICE

CABINET STYLE WOODEN CAT SHELTER

DUSCH2403



NEED HELP? CONTACT US!

Have product questions? Need technical support? Please feel free to contact us:

Technical Support and E-Warranty Certificate
www.vevor.com/support

This is the original instruction, please read all manual instructions carefully before operating. VEVOR reserves a clear interpretation of our user manual. The appearance of the product shall be subject to the product you received. Please forgive us that we won't inform you again if there are any technology or software updates on our product.

Sicherheitsvorkehrungen

WARNUNG:

Lesen Sie diese Anweisungen, bevor Sie dieses Produkt verwenden.

Andernfalls kann es zu schweren Verletzungen kommen. Die grundlegenden Vorsichtsmaßnahmen sollten immer befolgt werden , einschließlich der folgenden:

25. Der hölzerne Katzenunterstand im Schrankstil darf nicht in explosionsgefährdeten Bereichen verwendet oder gelagert werden. Der Einsatz des Gerätes in explosionsgefährdeten Bereichen ist nicht gestattet.

26. Der hölzerne Katzenunterstand im Schrankstil muss vor der Inbetriebnahme auf Funktionstüchtigkeit und Betriebssicherheit geprüft werden. Andernfalls darf das Gerät nicht verwendet werden.

27. Bitte halten Sie das Dach des Kabinestell Wooden Carter Shelter geschlossen, da sonst Wasser eindringen kann.

28. Bitte räumen Sie regelmäßig den Mist und Müll im Haus weg.

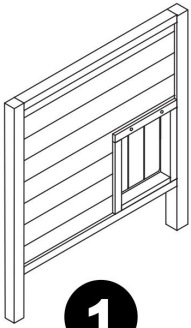
29. Der Betreiber muss den Cabinet Style Wooden Cat Shelter verwenden Er muss die örtlichen Gegebenheiten berücksichtigen und bei der Arbeit mit dem Katzenhaus im Schrankstil aus Holz auf Dritte , insbesondere Kinder , achten .

30. Dieser hölzerne Katzenunterstand im Schrankstil ist nicht für die Benutzung durch Personen (einschließlich Kinder) mit eingeschränkten physischen , sensorischen oder geistigen Fähigkeiten oder mangelnder Erfahrung und/oder

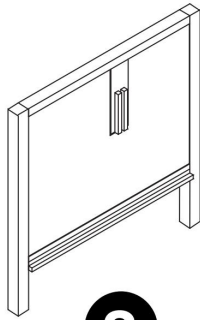
Kenntnissen bestimmt , es sei denn, sie werden von einer für ihre Sicherheit verantwortlichen Person beaufsichtigt oder von dieser Person in die Benutzung des Geräts eingewiesen. Kinder sollten beaufsichtigt werden , um sicherzustellen, dass sie nicht mit dem Gerät spielen. Katzenunterstand aus Holz im Schrankstil .

ANLEITUNG AUFBEWAHREN

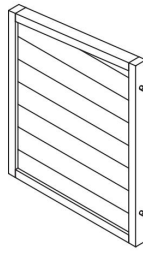
Produktliste



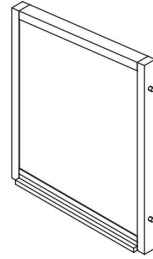
1



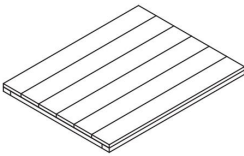
2



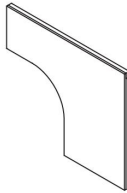
3



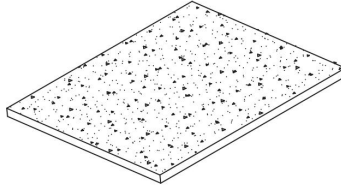
4



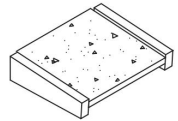
5



6



7



8

A



3.5×50 8+ (1Spare parts)

B



3.0×16 8+ (1Spare parts)

C

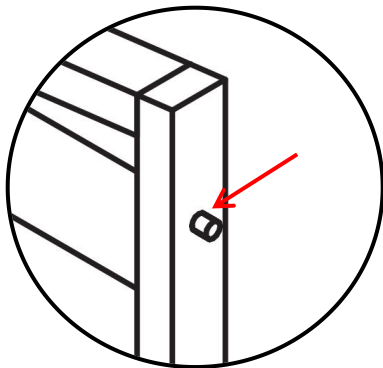
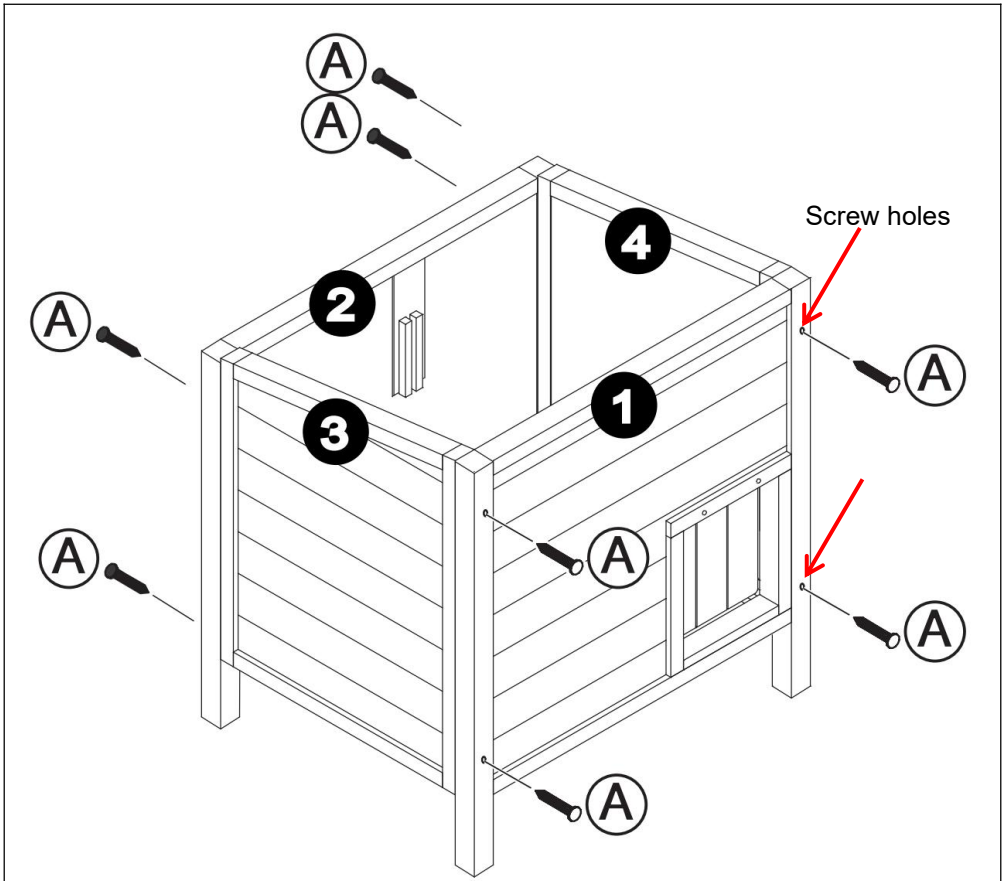


M6×60 2



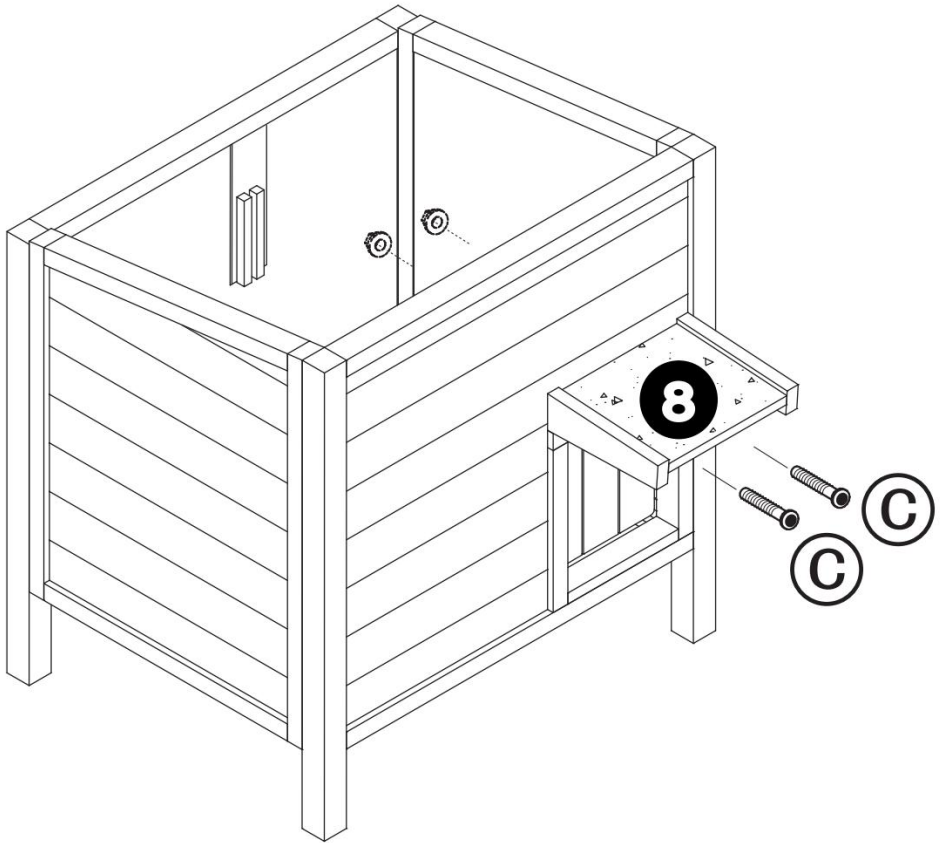
D

Produktzusammenstellung

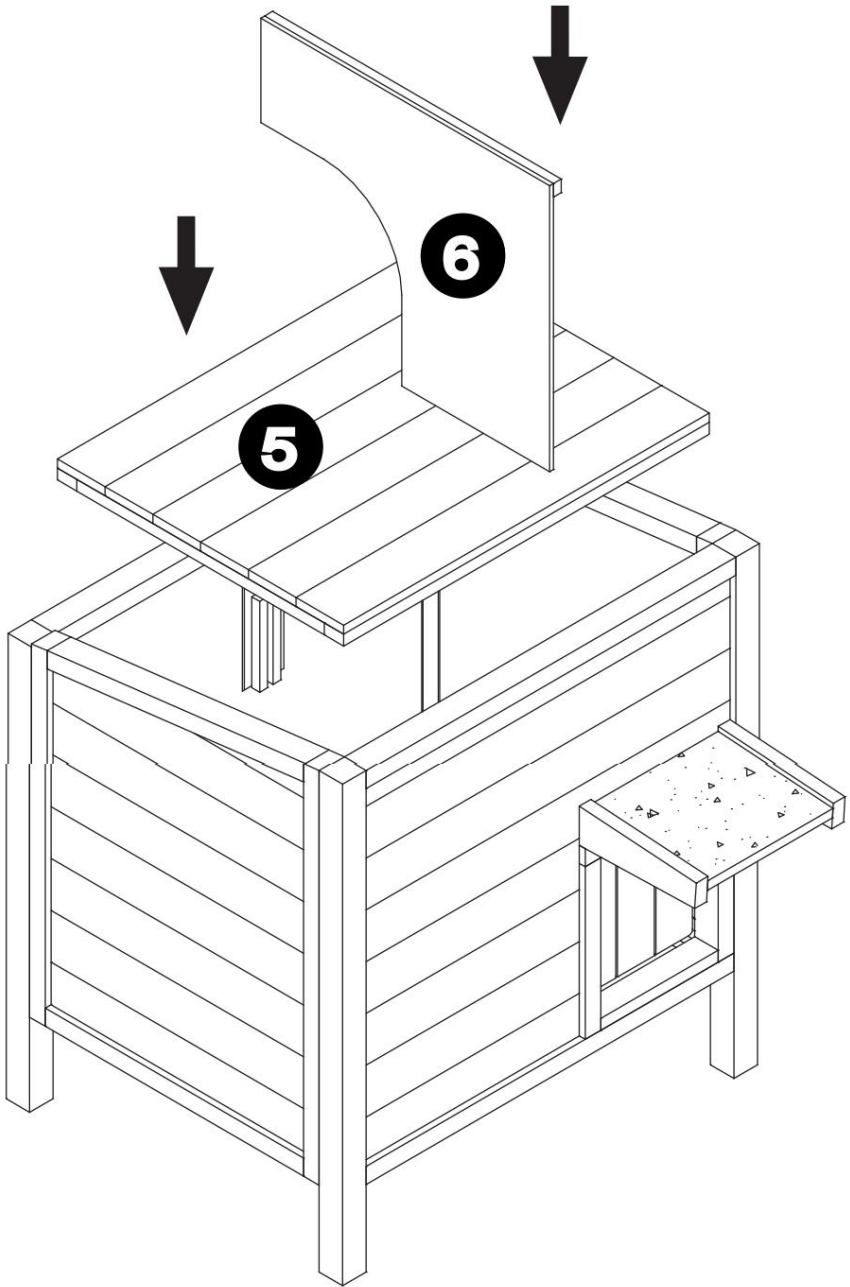


3 4 side pieces have positioning posts that can be used to position and assemble with 1 2.

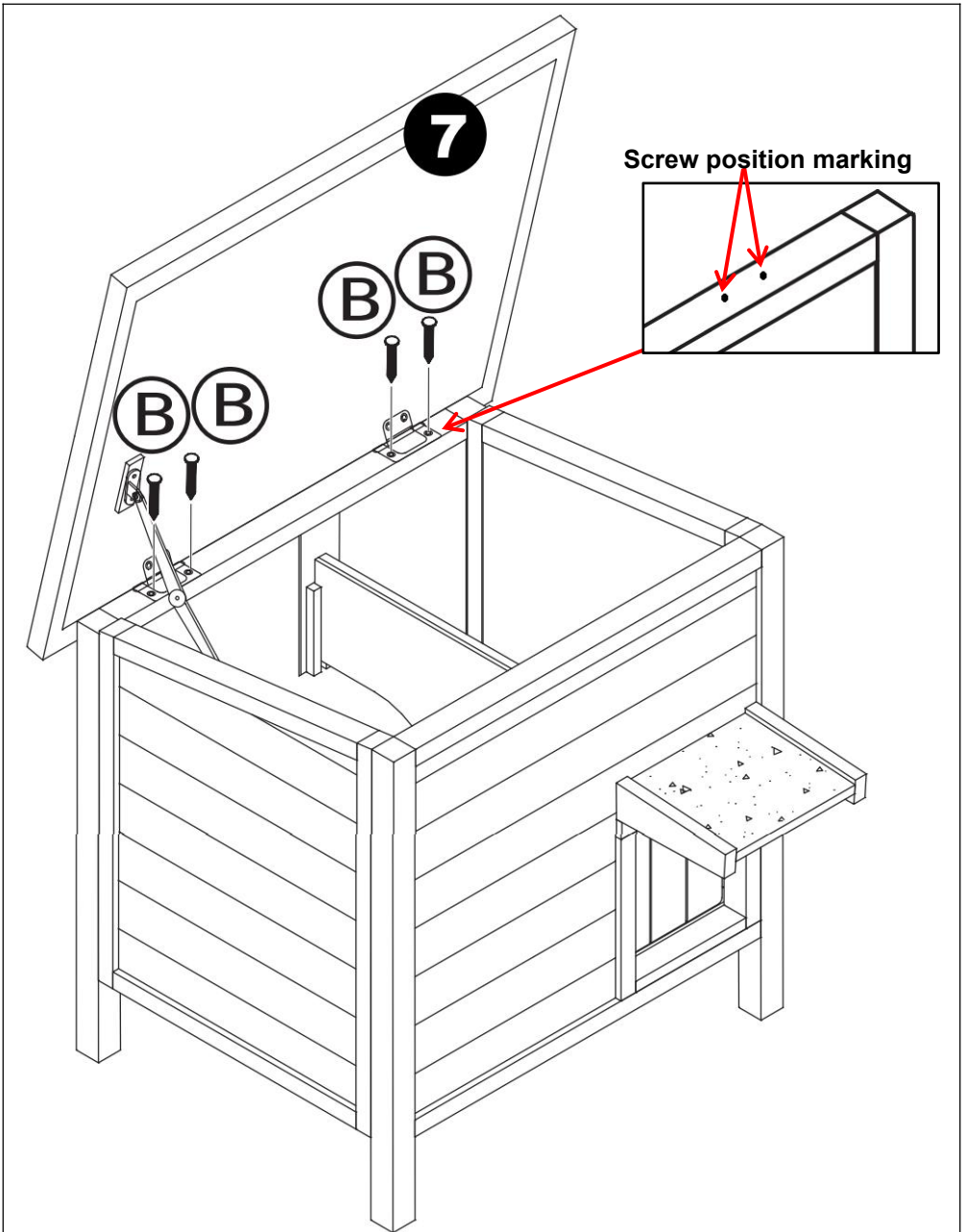
Zusammenbauen und (1, 2, 3 und 4) mit den Schrauben A befestigen .



(8) mit Schraube C am Vorderteil montieren .



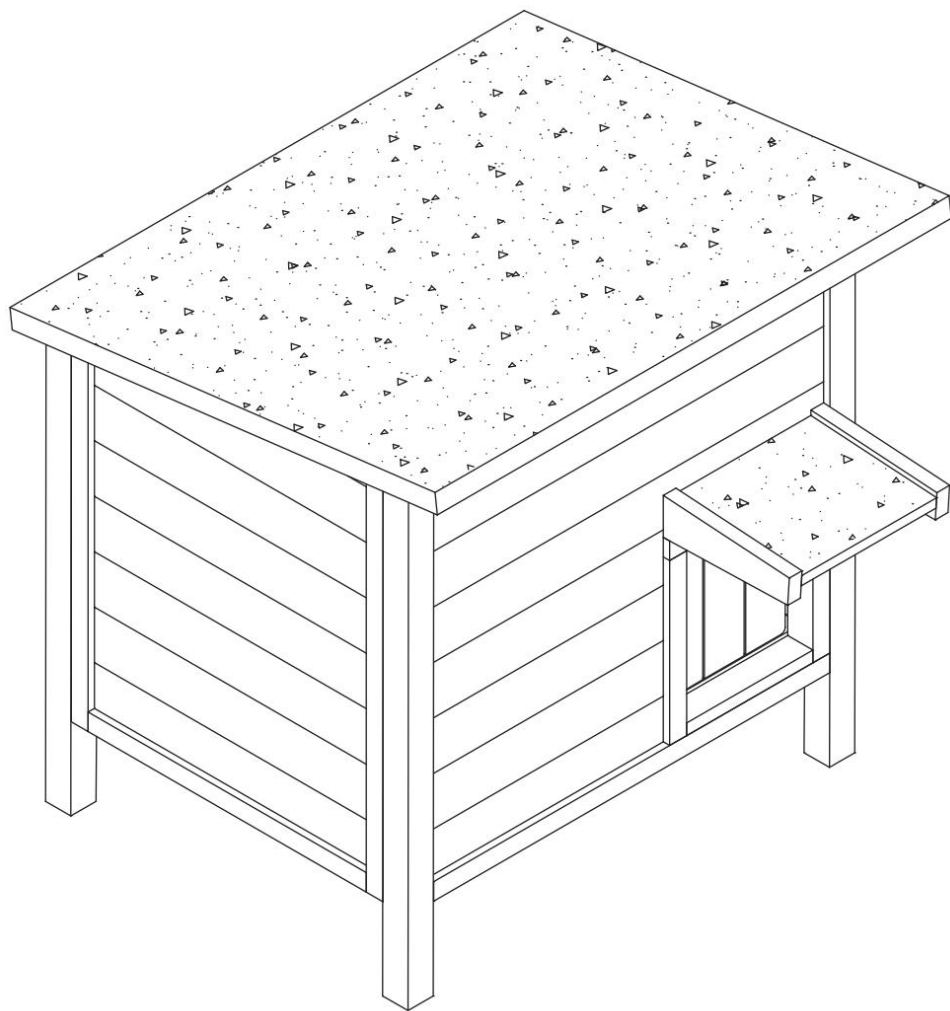
Legen Sie (5 und 6) in Richtung der Pfeile .



(7) mit Schraube B am Rückteil montieren .

Hinweis: Richten Sie zur Schraubmontage die Schraubenpositionierungs-Kennzeichnungspunkte an den

Seitenwänden aus.



Die Montage ist abgeschlossen .

Hersteller : Shanghaimuxinmuyeyouxiangongsi

Adresse: Shuangchenglu 803nong11hao1602A-1609shi, Baoshanqu, Shanghai 200000 CN.

Nach AUS importiert: SIHAO PTY LTD. 1 ROKEVA
STREETEASTWOOD NSW 2122 Australien

Importiert in die USA: Sanven Technology Ltd. Suite 250, 9166 Anaheim
Ort, Rancho Cucamonga, CA 91730

| | |
|-----------|------------|
| EC | REP |
|-----------|------------|

E-CrossStu GmbH

Mainzer Landstr.69, 60329 Frankfurt am Main.

| | |
|-----------|------------|
| UK | REP |
|-----------|------------|

YH CONSULTING LIMITED.

C/O YH Consulting Limited Office 147, Centurion House,
London Road, Staines-upon-Thames, Surrey, TW18 4AX

VEVOR[®]

TOUGH TOOLS, HALF PRICE

Technisch Support und E-Garantie-Zertifikat

www.vevor.com/support

VEVOR[®]

TOUGH TOOLS, HALF PRICE

Technique Assistance et certificat de garantie électronique

www.vevor.com/support

STYLE D'ARMOIRE EN BOIS

REFUGE POUR CHATS

MANUEL DE L'UTILISATEUR

We continue to be committed to provide you tools with competitive price.

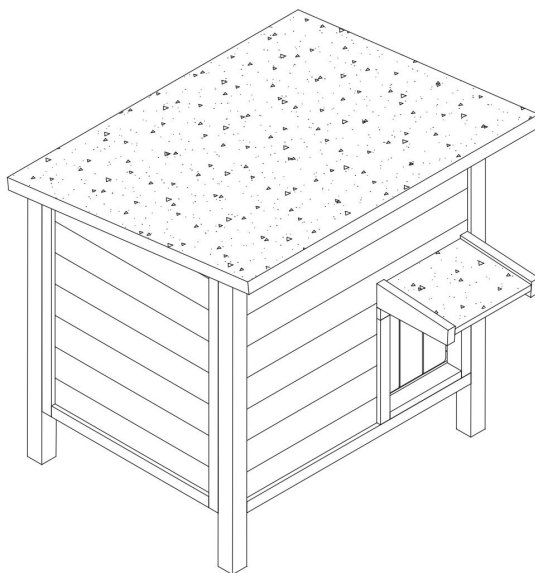
"Save Half", "Half Price" or any other similar expressions used by us only represents an estimate of savings you might benefit from buying certain tools with us compared to the major top brands and does not necessarily mean to cover all categories of tools offered by us. You are kindly reminded to verify carefully when you are placing an order with us if you are actually saving half in comparison with the top major brands.

VEVOR[®]

TOUGH TOOLS, HALF PRICE

CABINET STYLE WOODEN CAT SHELTER

DUSCH2403



NEED HELP? CONTACT US!

Have product questions? Need technical support? Please feel free to contact us:

Technical Support and E-Warranty Certificate
www.vevor.com/support

This is the original instruction, please read all manual instructions carefully before operating. VEVOR reserves a clear interpretation of our user manual. The appearance of the product shall be subject to the product you received. Please forgive us that we won't inform you again if there are any technology or software updates on our product.

Précautions de sécurité

AVERTISSEMENT:

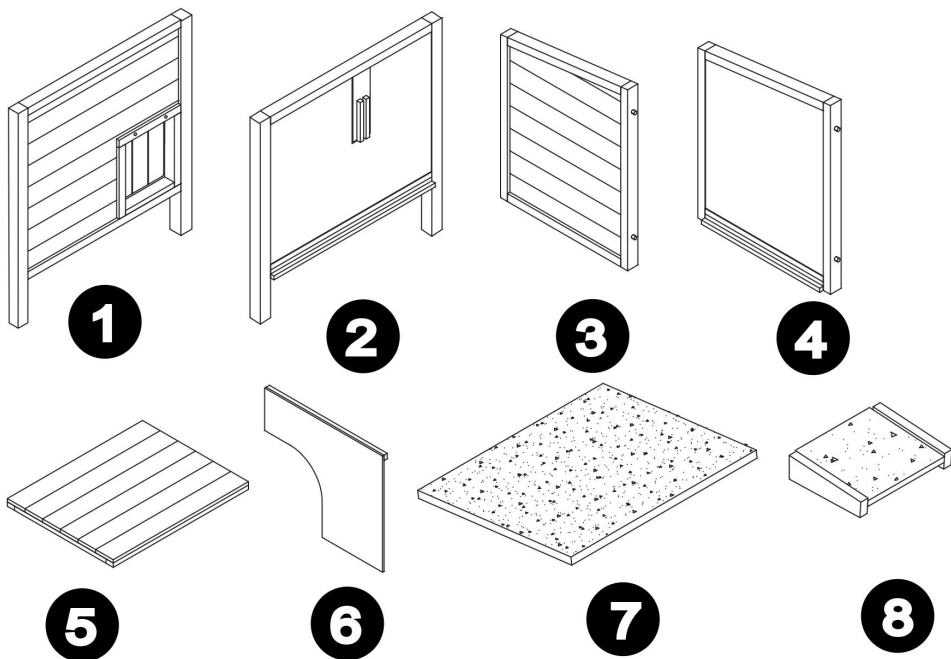
Lisez ces instructions avant d'utiliser ce produit. Ne pas le faire peut entraîner des blessures graves. les précautions de base doivent toujours être suivies , notamment les suivantes :

31. L' abri pour chat en bois de style armoire ne peut pas être utilisé ou stocké dans des zones dangereuses. Il est interdit d'utiliser l'appareil dans des endroits dangereux.
32. L' abri pour chat en bois de style armoire doit être vérifié pour s'assurer qu'il est en bon état de fonctionnement et qu'il fonctionne en toute sécurité avant utilisation. Dans le cas contraire , l'appareil ne doit pas être utilisé.
33. Veuillez garder le toit de l'abri en bois Kabinestell fermé, sinon cela provoquerait une infiltration d'eau.
34. Veuillez nettoyer régulièrement le fumier et les déchets dans la maison.
35. L'opérateur doit utiliser l' abri pour chat en bois de style armoire. correctement. Il doit tenir compte des conditions locales et doit faire attention aux tiers , en particulier aux enfants , lorsqu'il travaille avec l' abri pour chats en bois de style armoire .
36. Cet abri pour chat en bois de style armoire n'est pas destiné à être utilisé par des personnes (y compris des enfants) ayant des capacités physiques ,

sensorielles ou mentales réduites ou manquant d'expérience et/ou de connaissances , à moins qu'elles ne soient supervisées par une personne responsable de leur sécurité ou qu'elles ne soient instruites par ces personnes sur l'utilisation de le dispositif. Les enfants doivent être surveillés pour s'assurer qu'ils ne jouent pas avec le Abri pour chat en bois de style armoire .

CONSERVEZ CES INSTRUCTIONS

Liste de produits



A



3.5×50 8+ (1 Spare parts)

B



3.0×16 8+ (1 Spare parts)

C

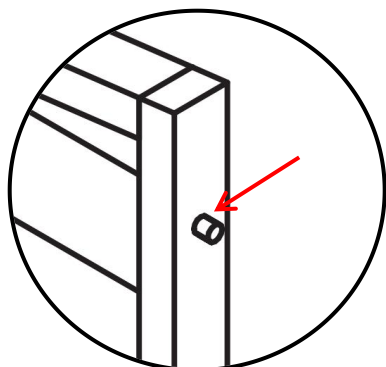
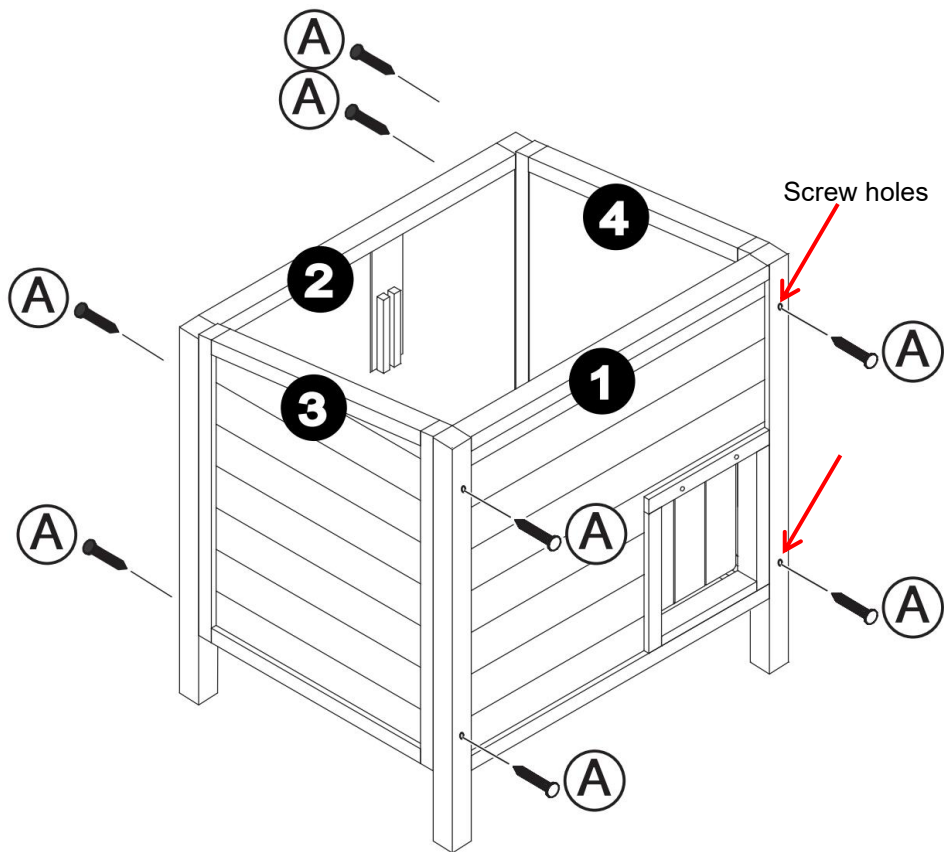


M6×60 2



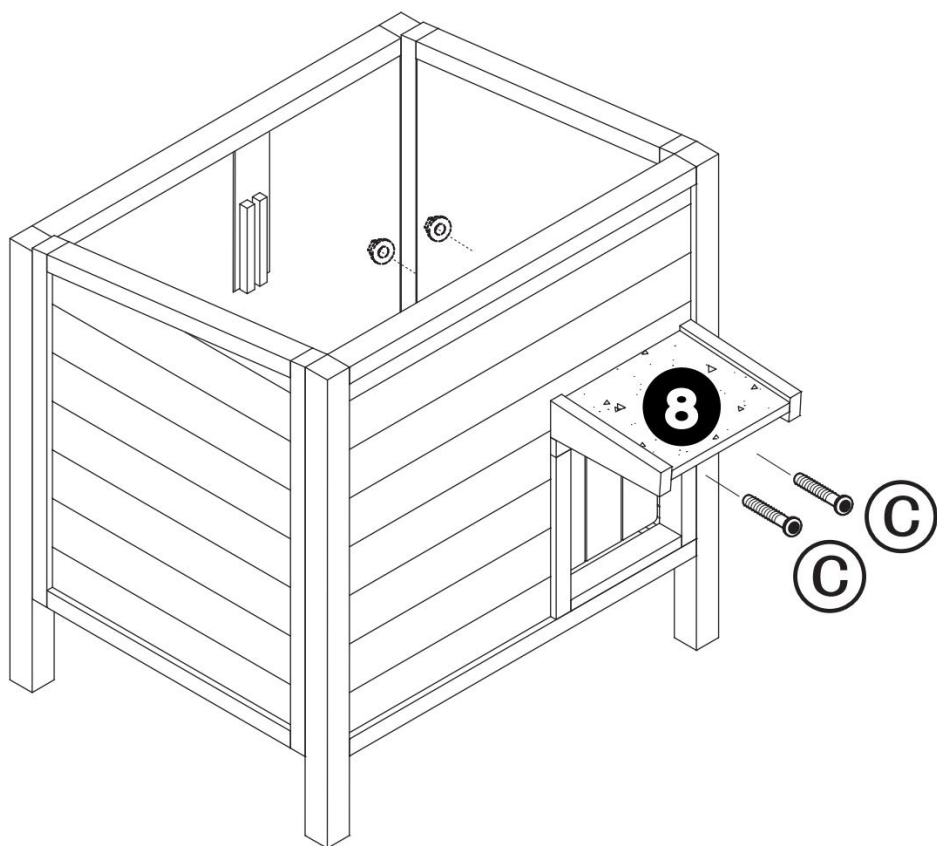
D

Assemblage du produit

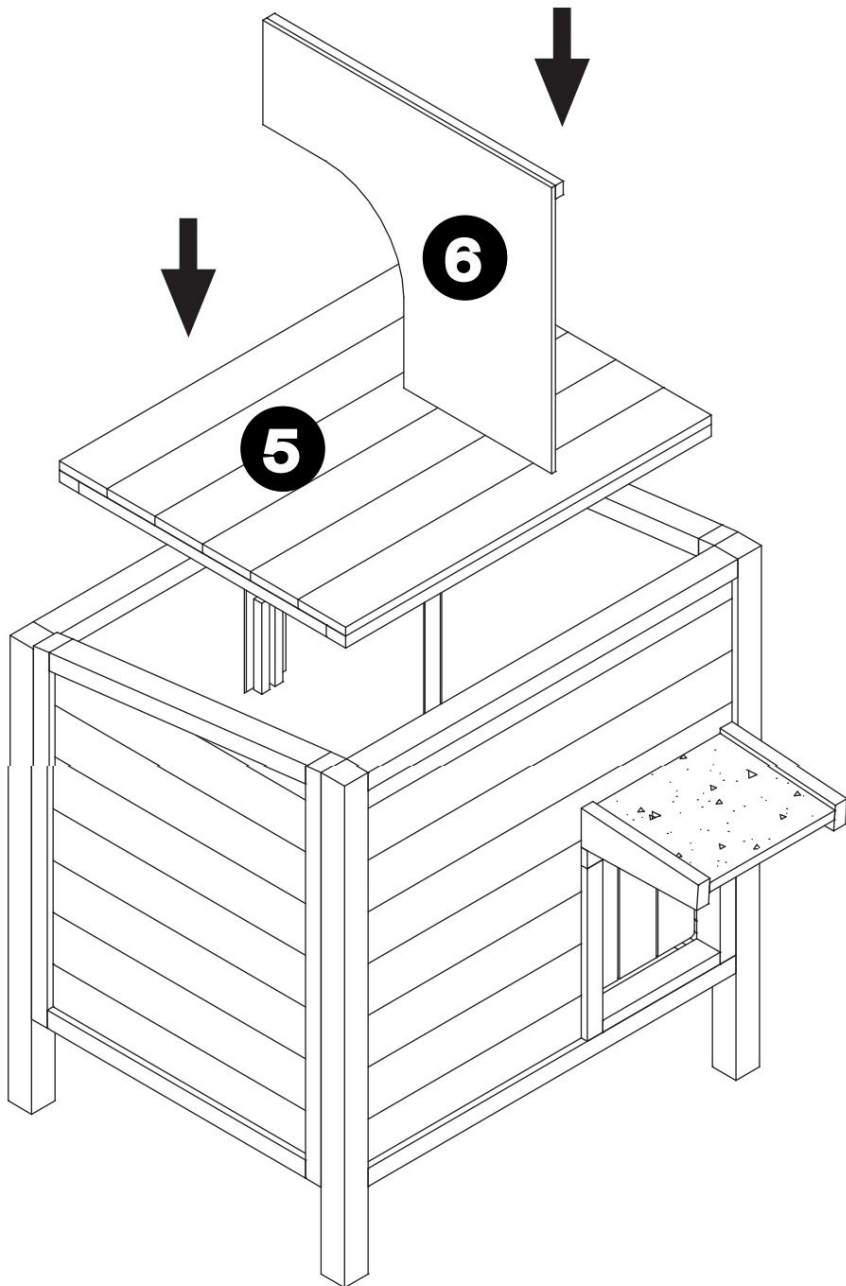


3 4 side pieces have positioning posts that can be used to position and assemble with 1 2.

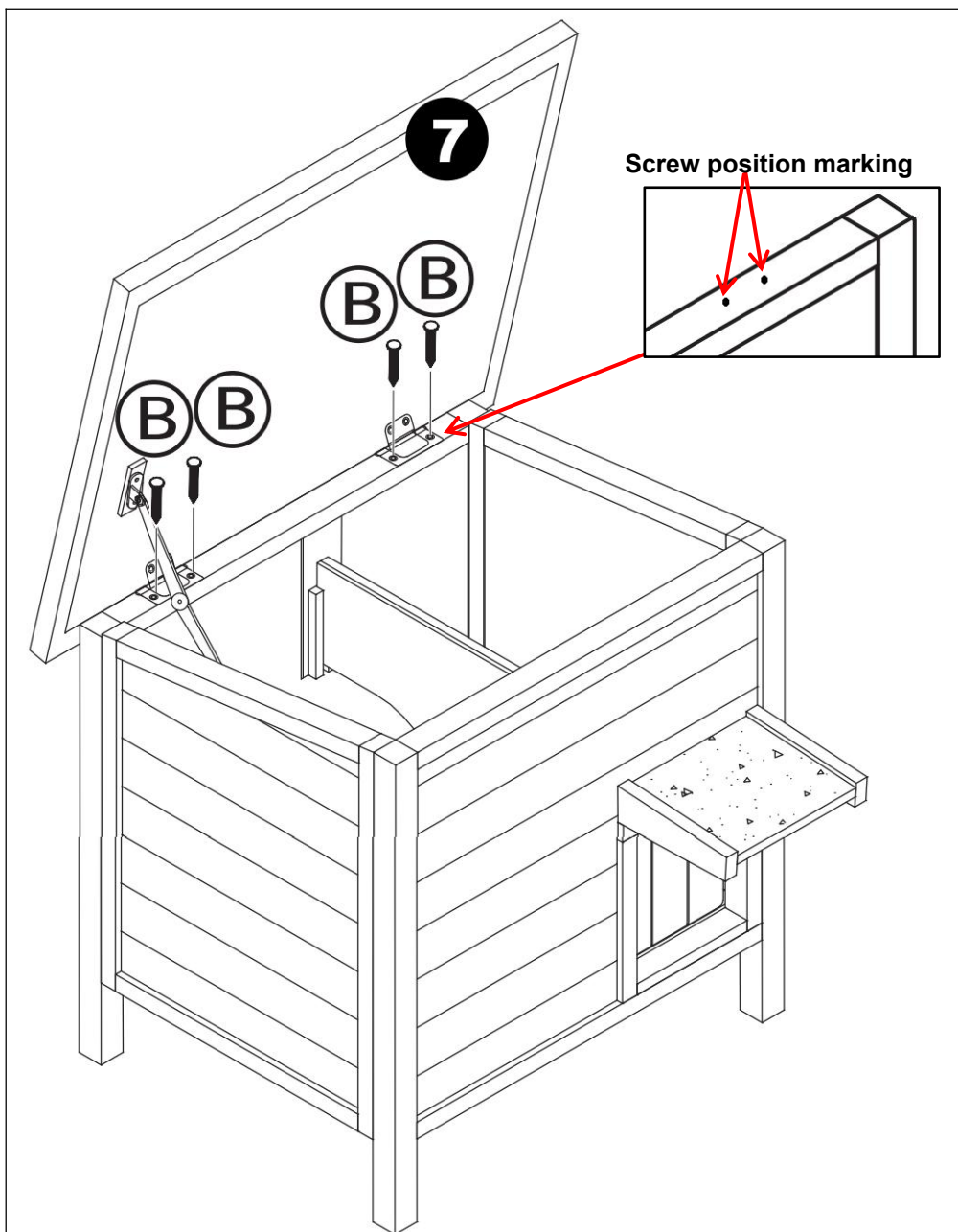
Assemblez et fixez (1, 2, 3 et 4) avec les vis A .



Assembler (8) sur la pièce avant avec la vis C .

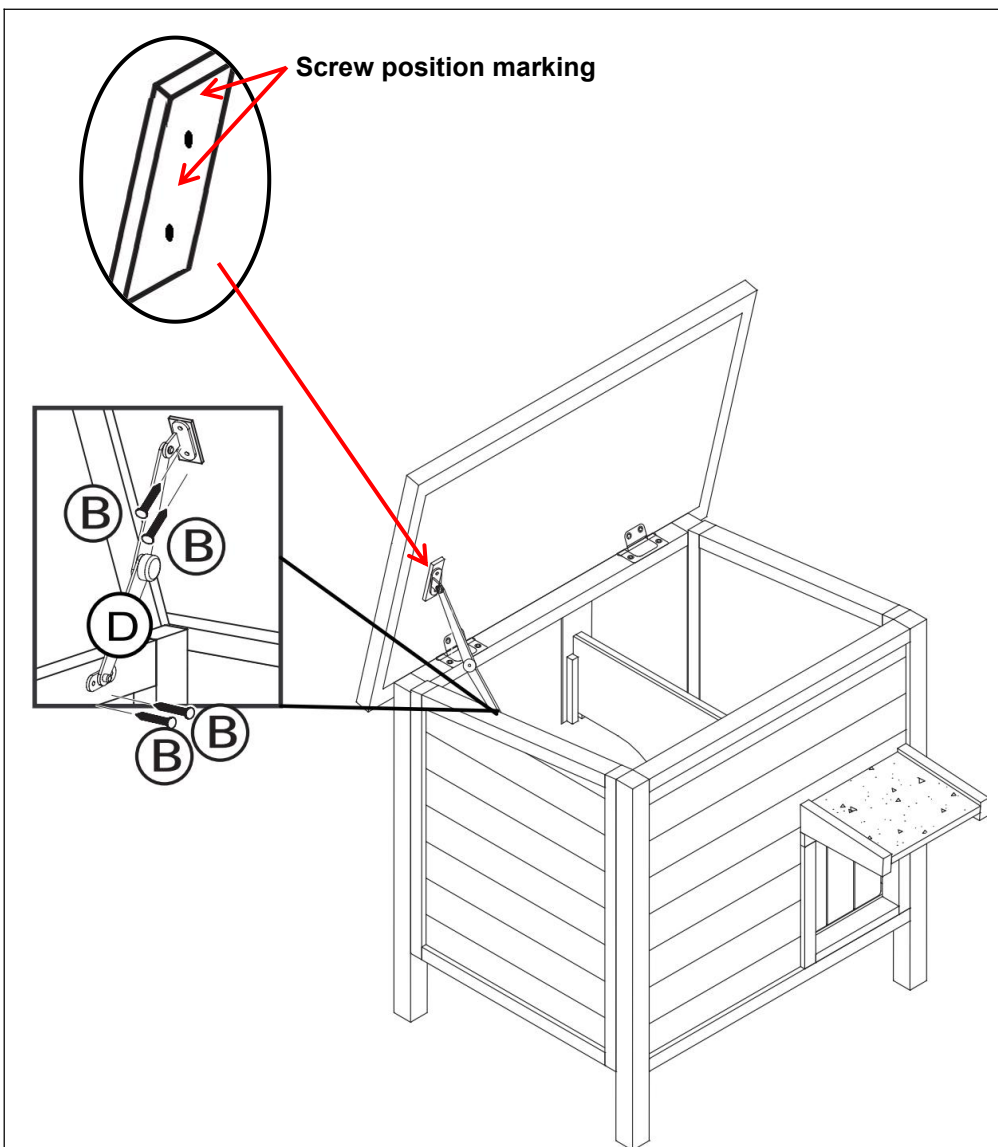


Mettez (5 et 6) dans le sens des flèches .



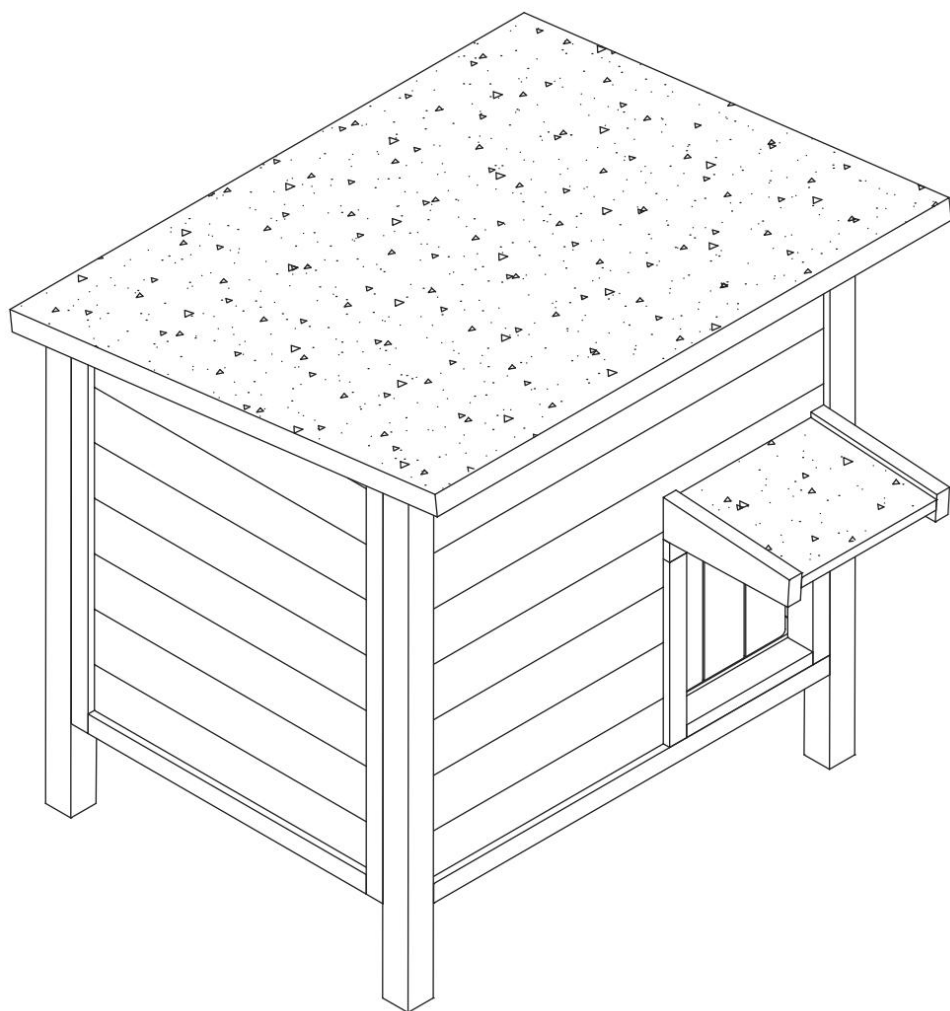
Assembler (7) sur la pièce arrière avec la vis B .

Remarque : Pour l'installation des vis, alignez les points d'identification de positionnement des vis sur les panneaux latéraux.



Assemblez les deux extrémités de (D) sur le toit et la tôle latérale gauche avec les vis B .

Remarque : Pour l'installation des vis, alignez les points d'identification de positionnement des vis sur les panneaux latéraux.



L'assemblage est terminé .

Fabricant : Shanghaimuxinmuyeyouxiangongsi

Adresse : Shuangchenglu 803nong11hao1602A-1609shi, baoshanqu, shanghai 200000 CN.

Importé en Australie : SIHAO PTY LTD. 1 ROKEVA STREETASTWOOD NSW 2122 Australie

Importé aux États-Unis : Sanven Technology Ltd. Suite 250, 9166 Anaheim

Lieu, Rancho Cucamonga, CA 91730

| | |
|-----------|------------|
| EC | REP |
|-----------|------------|

E-CrossStu GmbH

Mainzer Landstr.69, 60329 Frankfurt am Main.

| | |
|-----------|------------|
| UK | REP |
|-----------|------------|

YH CONSULTING LIMITED.

C/O YH Consulting Limited Office 147, Centurion House,
London Road, Staines-upon-Thames, Surrey, TW18 4AX

VEVOR[®]

TOUGH TOOLS, HALF PRICE

Technique Assistance et certificat de garantie électronique

www.vevor.com/support

VEVOR[®]

TOUGH TOOLS, HALF PRICE

Technisch Ondersteuning en e-garantiecertificaat www.vevor.com/support

KABINETSTIJL HOUTEN

KATTENOPVANG

HANDLEIDING

We continue to be committed to provide you tools with competitive price.

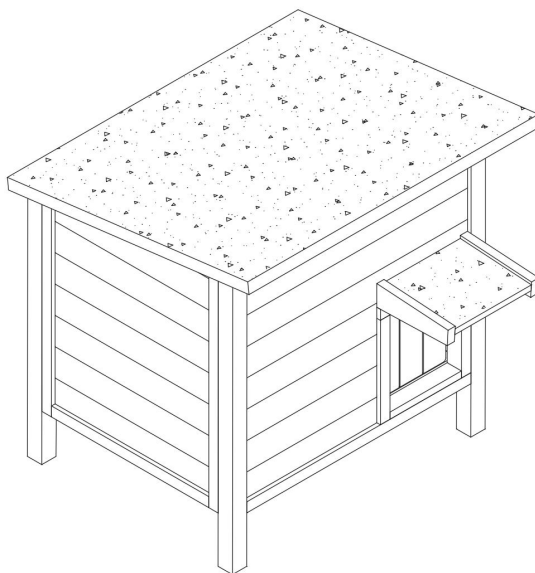
"Save Half", "Half Price" or any other similar expressions used by us only represents an estimate of savings you might benefit from buying certain tools with us compared to the major top brands and does not necessarily mean to cover all categories of tools offered by us. You are kindly reminded to verify carefully when you are placing an order with us if you are actually saving half in comparison with the top major brands.

VEVOR[®]

TOUGH TOOLS, HALF PRICE

CABINET STYLE WOODEN CAT SHELTER

DUSCH2403



NEED HELP? CONTACT US!

Have product questions? Need technical support? Please feel free to contact us:

Technical Support and E-Warranty Certificate
www.vevor.com/support

This is the original instruction, please read all manual instructions carefully before operating. VEVOR reserves a clear interpretation of our user manual. The appearance of the product shall be subject to the product you received. Please forgive us that we won't inform you again if there are any technology or software updates on our product.

Veiligheidsmaatregelen

WAARSCHUWING:

Lees deze instructies voordat u dit product gebruikt. Als u dit niet doet, kan dit leiden tot ernstig letsel. de basisvoorzorgsmaatregelen moeten altijd worden gevolgd , waaronder de volgende:

37. Het houten kattenhok in kaststijl mag niet worden gebruikt of opgeslagen in gevaarlijke gebieden. Het is niet toegestaan het apparaat op gevaarlijke locaties te gebruiken.

38. Het houten kattenhok in kaststijl moet vóór gebruik worden gecontroleerd om er zeker van te zijn dat deze in goede staat verkeert en veilig werkt. Anders mag het apparaat niet worden gebruikt.

39. Houd het dak van de Kabinestell Wooden Carter Shelter gesloten, anders kan er water binnendringen.

40. Ruim regelmatig de mest en het afval in huis op.

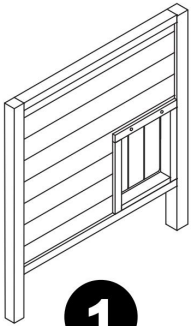
41. De exploitant moet het houten kattenhok in kaststijl gebruiken op de juiste manier. Hij moet rekening houden met de plaatselijke omstandigheden en moet letten op derden , in het bijzonder kinderen , wanneer hij met het houten kattenasiel Kaststijl werkt .

42. Dit houten kattenhok in kaststijl is niet bedoeld voor gebruik door personen (inclusief kinderen) met verminderde lichamelijke , zintuiglijke of geestelijke

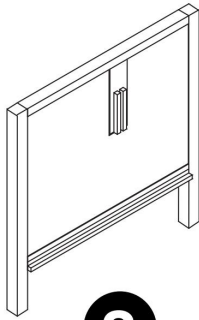
vermogens of gebrek aan ervaring en/of kennis , tenzij zij onder toezicht staan van een persoon die verantwoordelijk is voor hun veiligheid of door deze personen zijn geïnstrueerd over het gebruik van het apparaat. Op kinderen moet toezicht worden gehouden , om er zeker van te zijn dat ze niet met het apparaat spelen
Houten kattenhok in kaststijl .

BEWAAR DEZE INSTRUCTIES

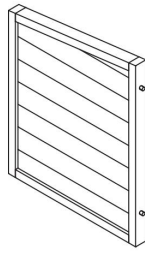
Product lijst



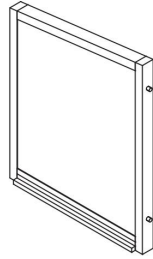
1



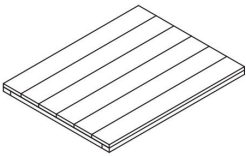
2



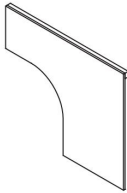
3



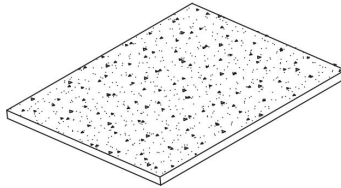
4



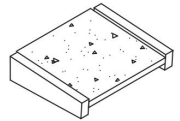
5



6



7



8

A



3.5×50 8+ (1Spare parts)

B



3.0×16 8+ (1Spare parts)

C

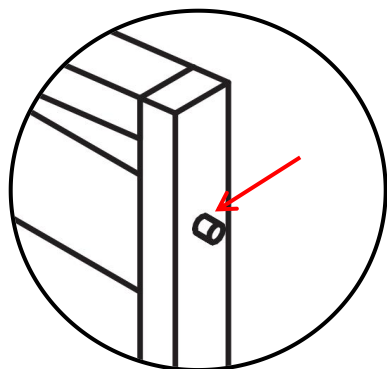
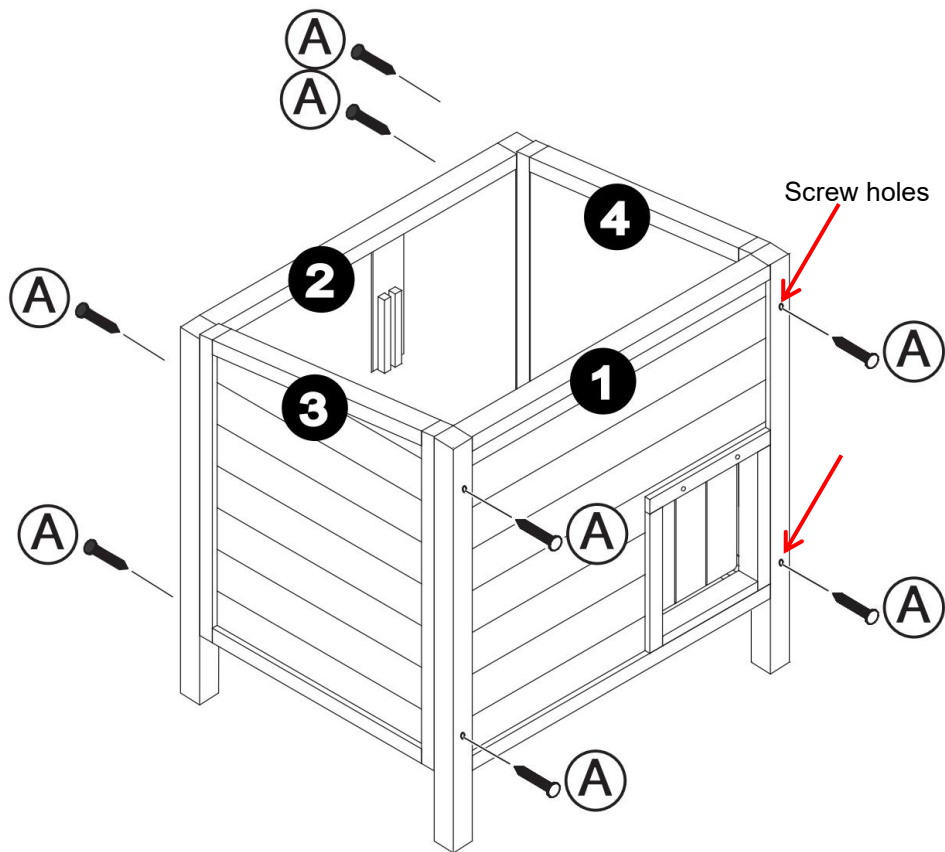


M6×60 2



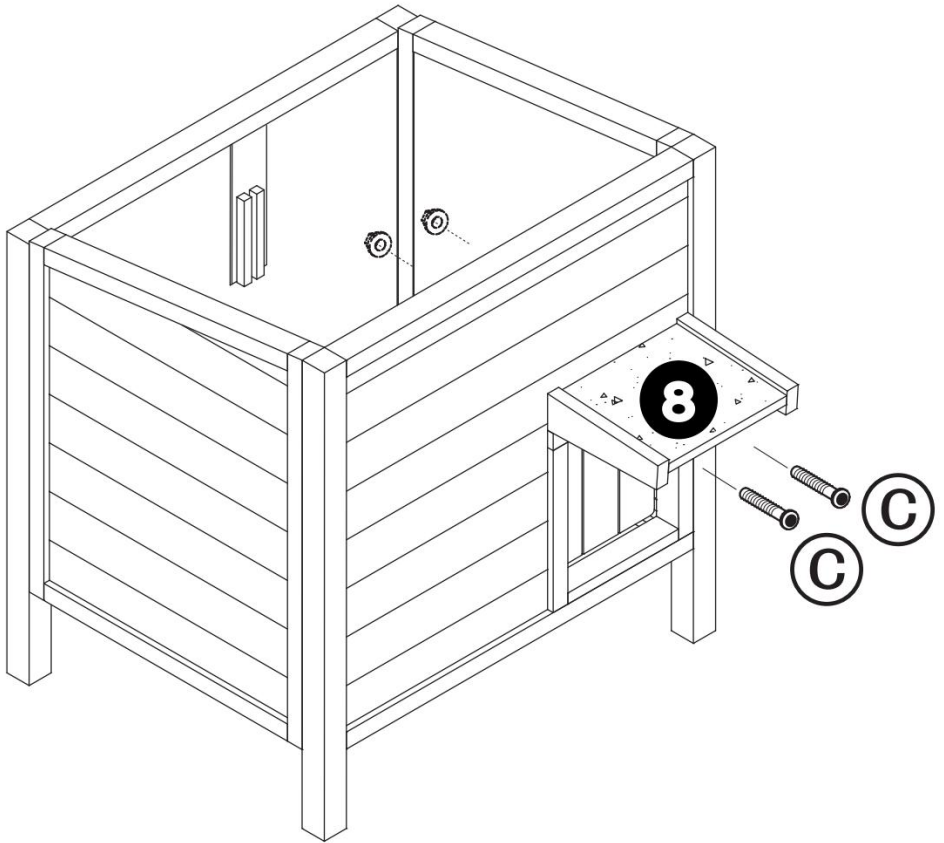
D

Product A montage

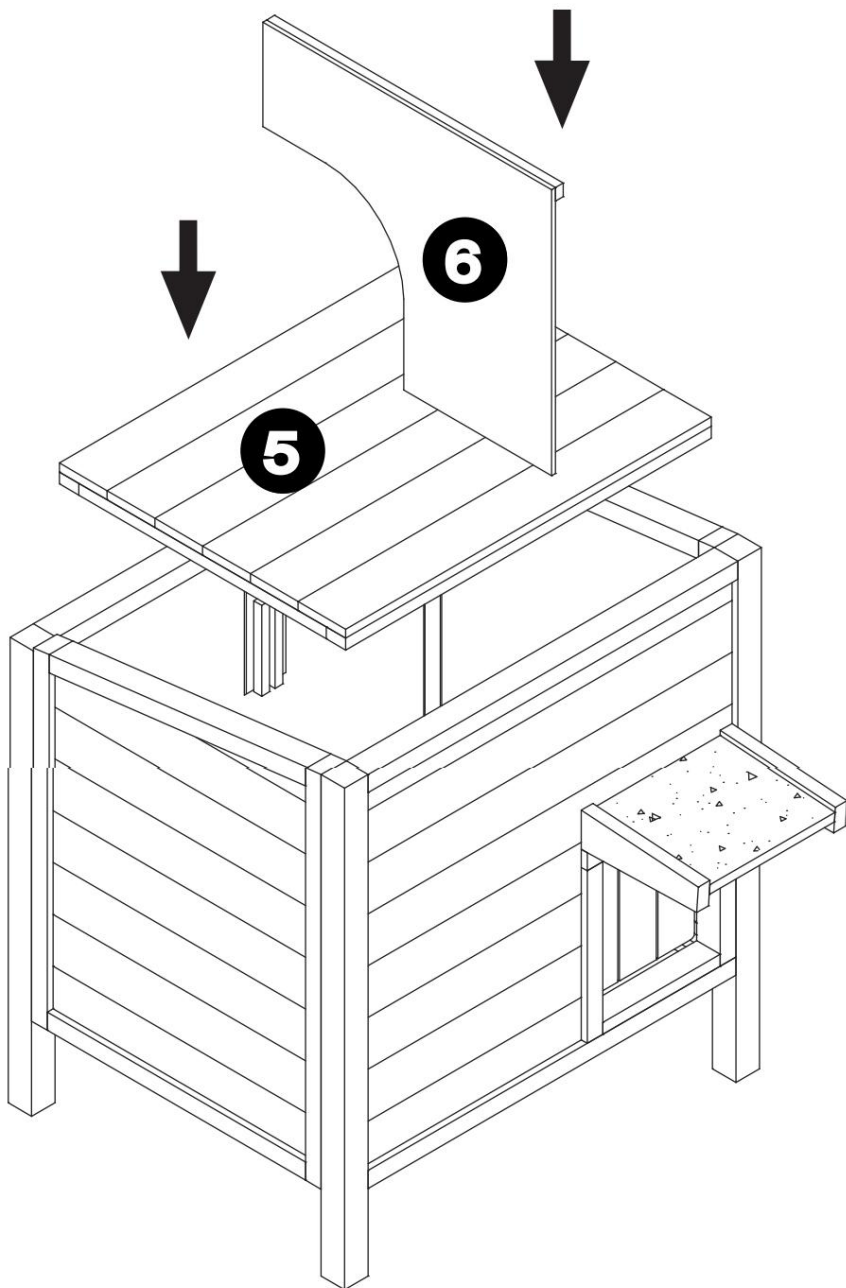


3 4 side pieces have positioning posts that can be used to position and assemble with 1 2.

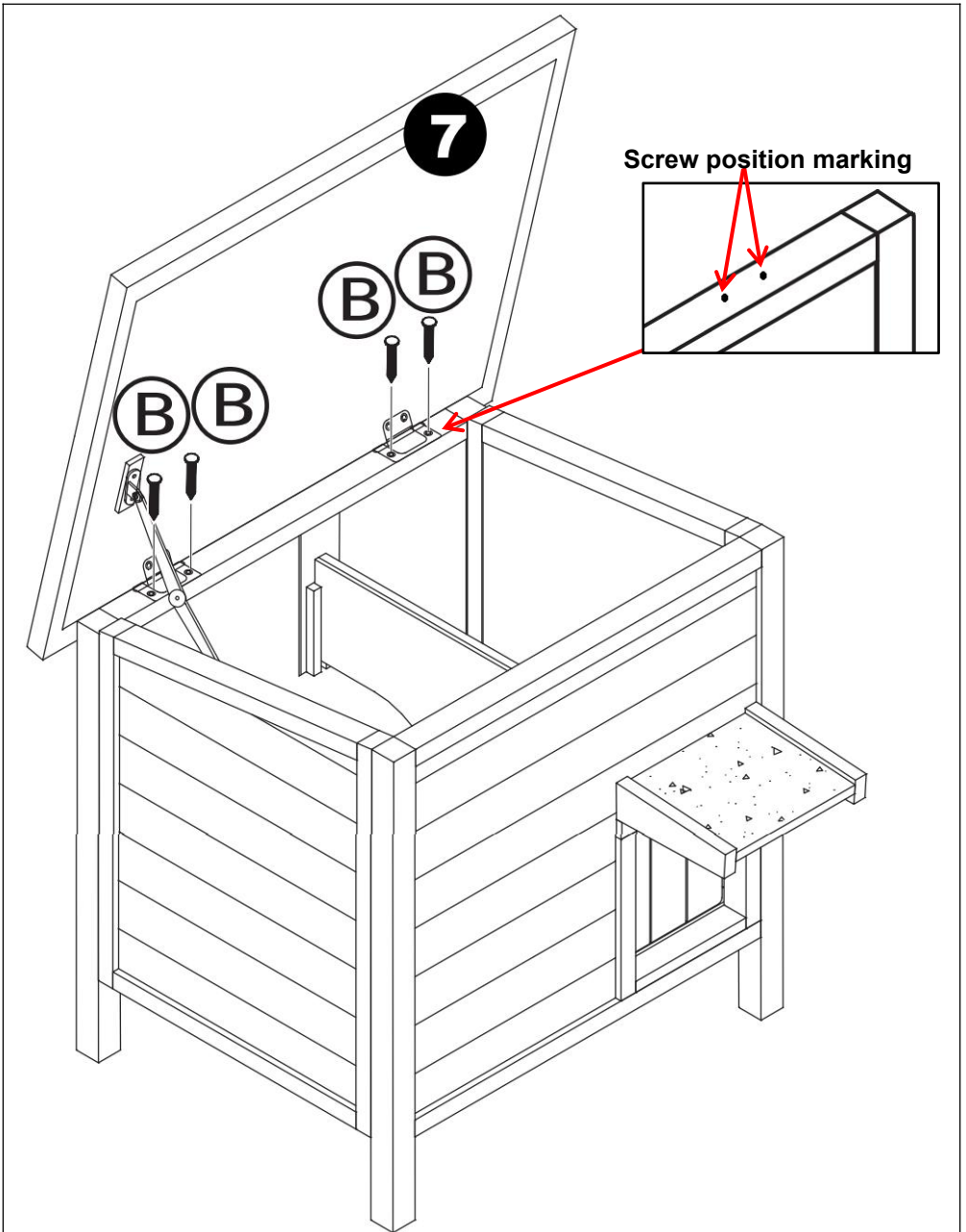
Monteer en bevestig (1, 2, 3 en 4) met schroeven A .



Monteer (8) op het voorstuk met bout C .

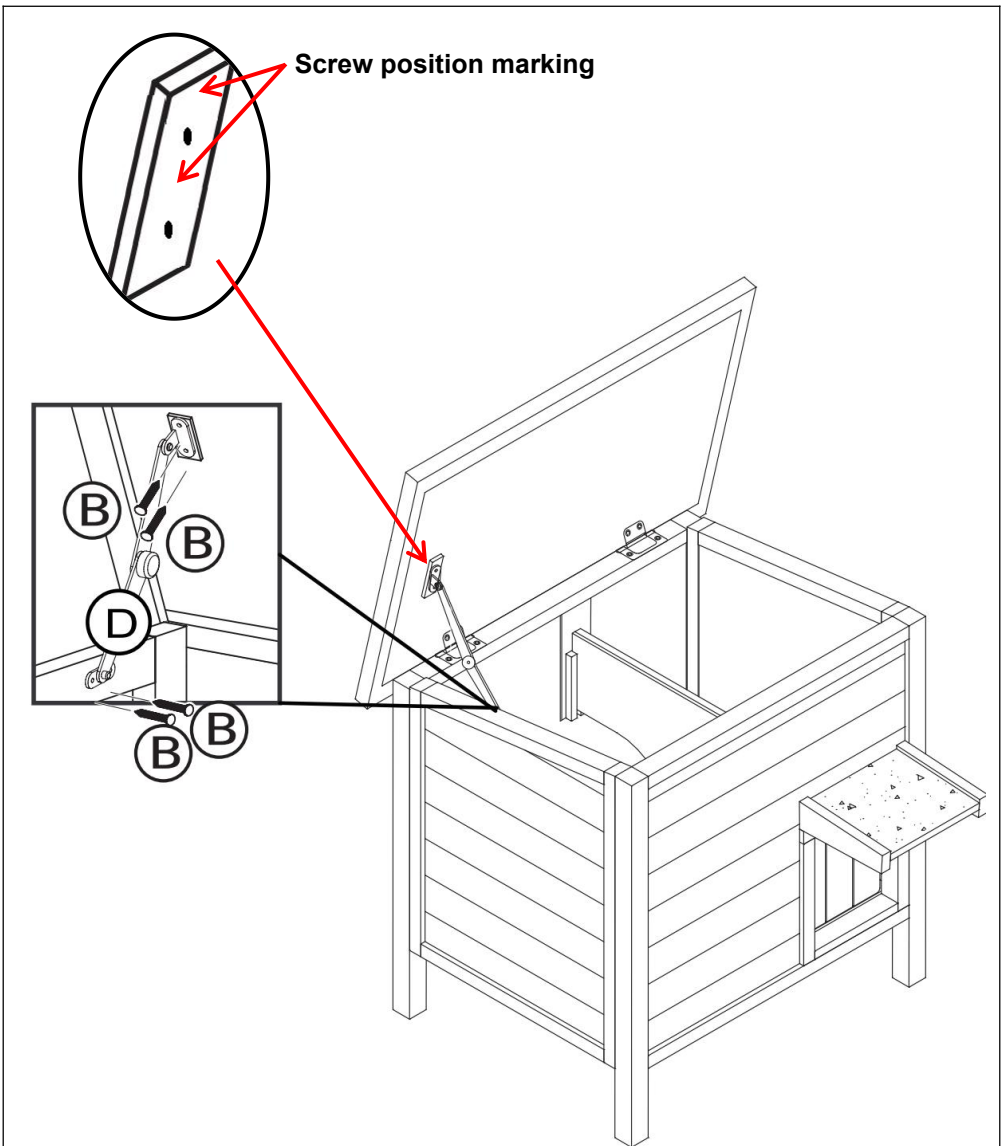


Zet (5 en 6) in de richting van de pijlen .



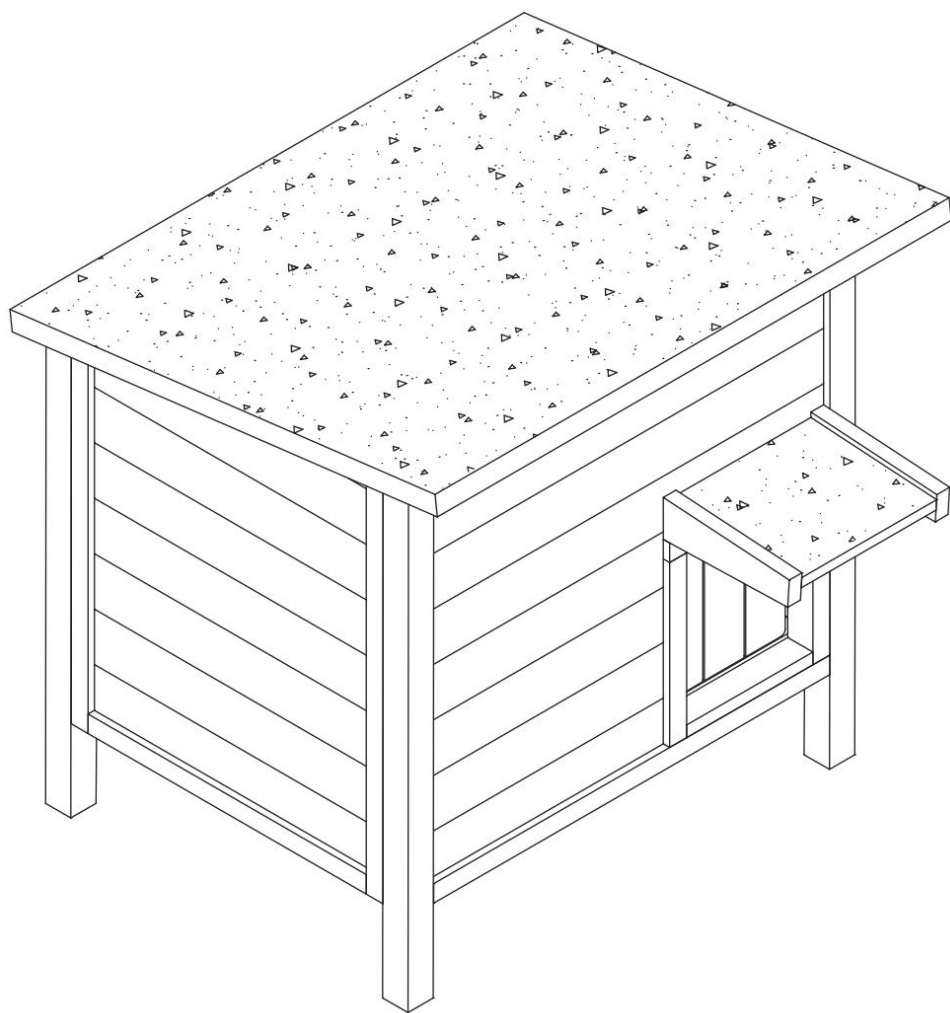
Monteer (7) op het achterstuk met schroef B .

Opmerking: Voor het installeren van schroeven lijnt u de identificatiepunten voor de schroefpositie op de zijpanelen uit.



Monteer de twee uiteinden van (D) op het dak en de linkerzijplaat met schroeven B .

Opmerking: Voor het installeren van schroeven lijnt u de identificatiepunten voor de schroefpositie op de zijpanelen uit.



De montage is voltooid .

Fabrikant : Shanghaimuxinmuyeyouxiangongsi

Adres: Shuangchenglu 803nong11hao1602A-1609shi, baoshanqu, shanghai 200000 CN.

Geïmporteerd naar AUS: SIHAO PTY LTD. 1 ROKEVA
STREETEASTWOOD NSW 2122 Australië

Geïmporteerd in de VS: Sanven Technology Ltd. Suite 250, 9166
Anaheim

Plaats, Rancho Cucamonga, CA 91730

| | |
|-----------|------------|
| EC | REP |
|-----------|------------|

E-CrossStu GmbH

Mainzer Landstr.69, 60329 Frankfurt am Main.

| | |
|-----------|------------|
| UK | REP |
|-----------|------------|

YH CONSULTING LIMITED.

C/O YH Consulting Limited Office 147, Centurion House,
London Road, Staines-upon-Thames, Surrey, TW18 4AX

VEVOR[®]

TOUGH TOOLS, HALF PRICE

Technisch Ondersteuning en e-garantiecertificaat

www.vevor.com/support

VEVOR®

TOUGH TOOLS, HALF PRICE

Teknisk Support och e-garanticertifikat www.vevor.com/support

TRÄ I SKÅPSTIL

KATTHEM

ANVÄNDARMANUAL

We continue to be committed to provide you tools with competitive price.

"Save Half", "Half Price" or any other similar expressions used by us only represents an estimate of savings you might benefit from buying certain tools with us compared to the major top brands and does not necessarily mean to cover all categories of tools offered by us. You are kindly reminded to verify carefully when you are placing an order with us if you are actually saving half in comparison with the top major brands.

VEVOR[®]

TOUGH TOOLS, HALF PRICE

CABINET STYLE WOODEN CAT SHELTER

DUSCH2403



NEED HELP? CONTACT US!

Have product questions? Need technical support? Please feel free to contact us:

Technical Support and E-Warranty Certificate
www.vevor.com/support

This is the original instruction, please read all manual instructions carefully before operating. VEVOR reserves a clear interpretation of our user manual. The appearance of the product shall be subject to the product you received. Please forgive us that we won't inform you again if there are any technology or software updates on our product.

Säkerhetsåtgärder

VARNING:

Läs dessa instruktioner innan du använder denna produkt. Underlåtenhet att göra det kan resultera i allvarliga skador. de grundläggande försiktighetsåtgärderna bör alltid följas , inklusive följande:

43. The Cabinet Style Wooden Cat Shelter får inte användas eller förvaras i farliga områden. Det är inte tillåtet att använda apparaten på farliga platser.

44. The Cabinet Style Wooden Cat Shelter måste kontrolleras för att säkerställa att den är i korrekt fungerande skick och fungerar säkert före användning. I annat fall får apparaten inte användas.

45. Vänligen håll Kabineställ Wooden Carter Shelter-taket stängt, annars kommer det att orsaka vatteninträngning.

46. Städa upp gödsel och sopor i huset regelbundet.

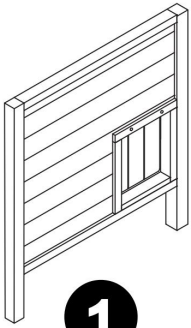
47. Operatören måste använda ett katthem i trä i skåpstil ordentligt. Han måste ta hänsyn till de lokala förhållandena och måste vara uppmärksam på tredje part , särskilt barn , när han arbetar med Cabinet Style Wooden Cat Shelter .

48. Detta katthem i trä i skåpstil är inte avsedd att användas av personer (inklusive barn) med nedsatta fysiska , sensoriska eller mentala förmågor eller som saknar erfarenhet och/eller kunskap, såvida de inte övervakas av en person som ansvarar för deras säkerhet eller instrueras av dessa personer om

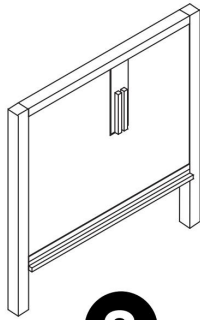
användningen av enheten. Barn bör övervakas för att säkerställa att de inte leker med Kattsydd i skåpstil i trä .

SPARA DESSA INSTRUKTIONER

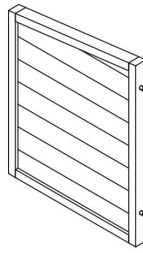
Produktlista



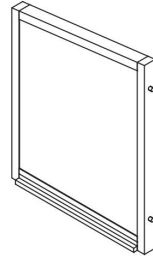
1



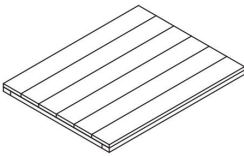
2



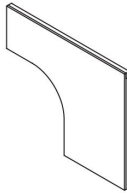
3



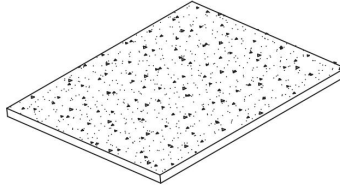
4



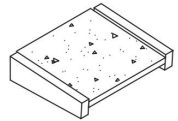
5



6



7



8

A



3.5×50

8+ (1 Spare parts)

B



3.0×16

8+ (1 Spare parts)

C



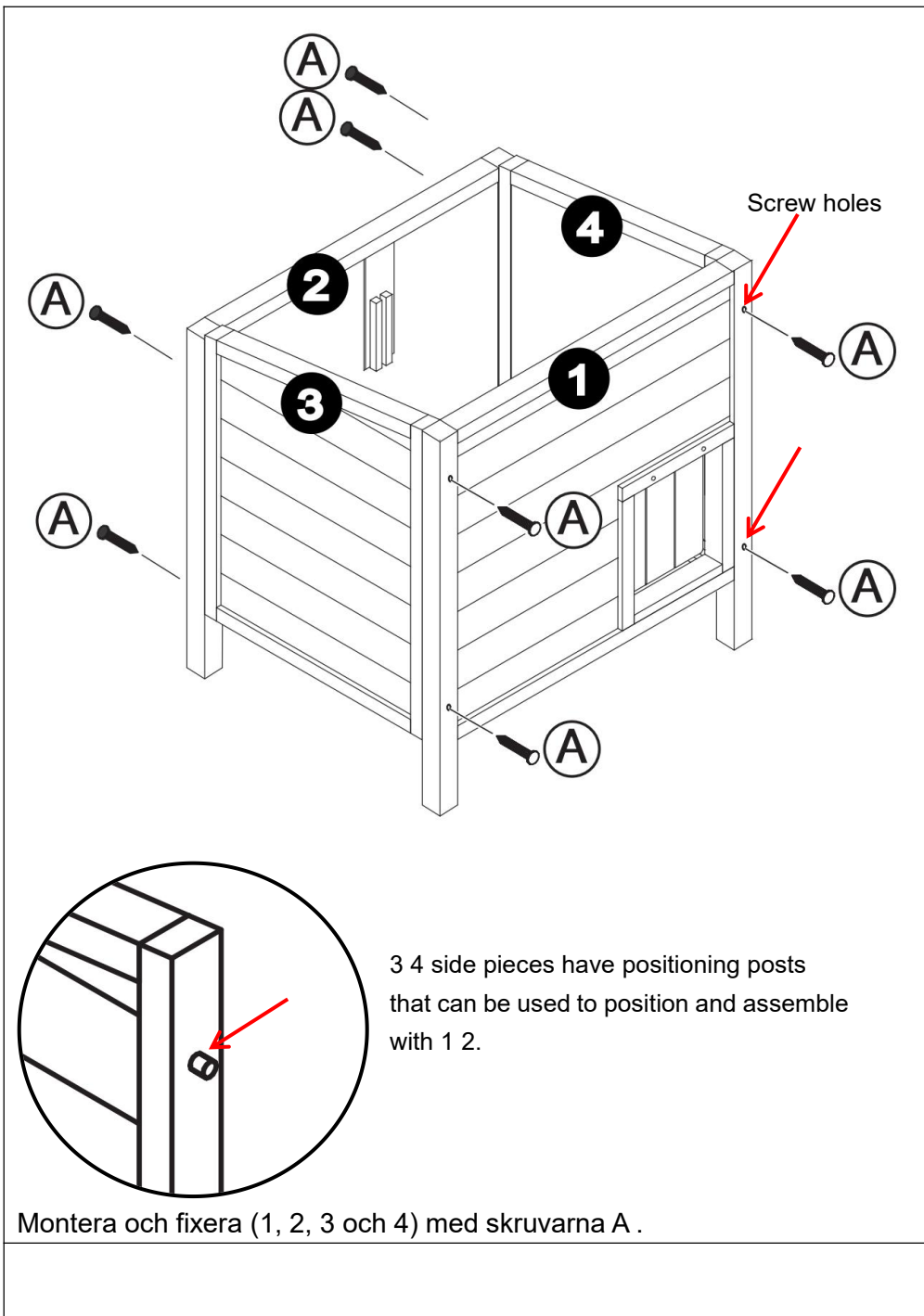
M6×60

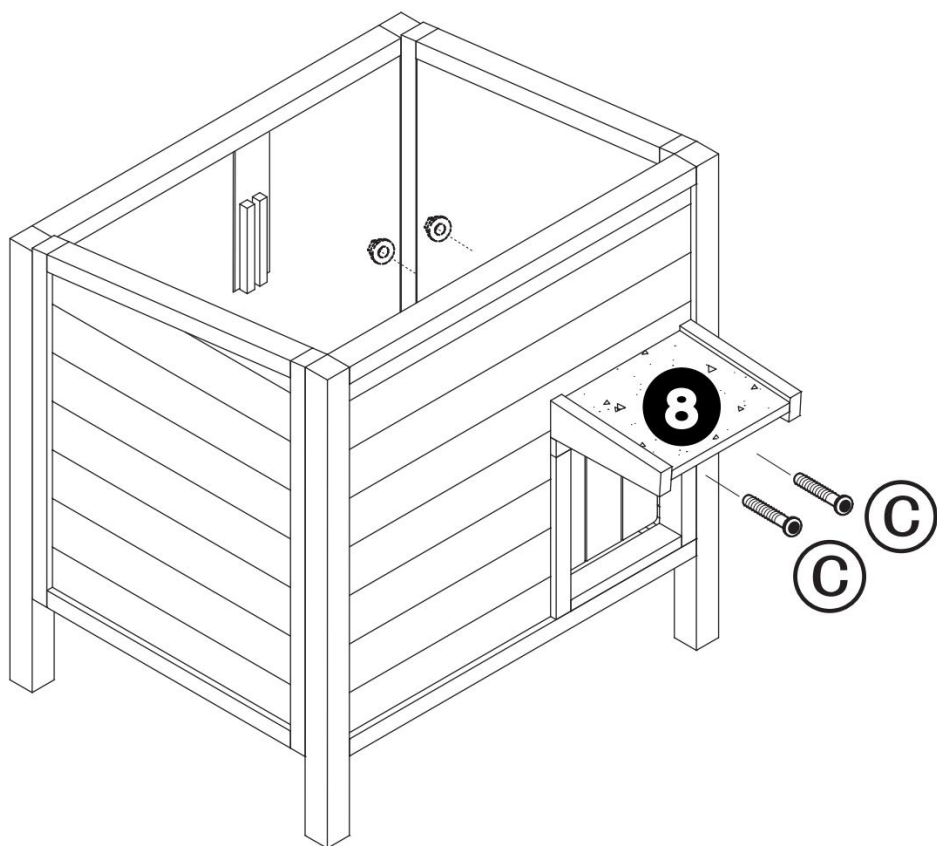
2



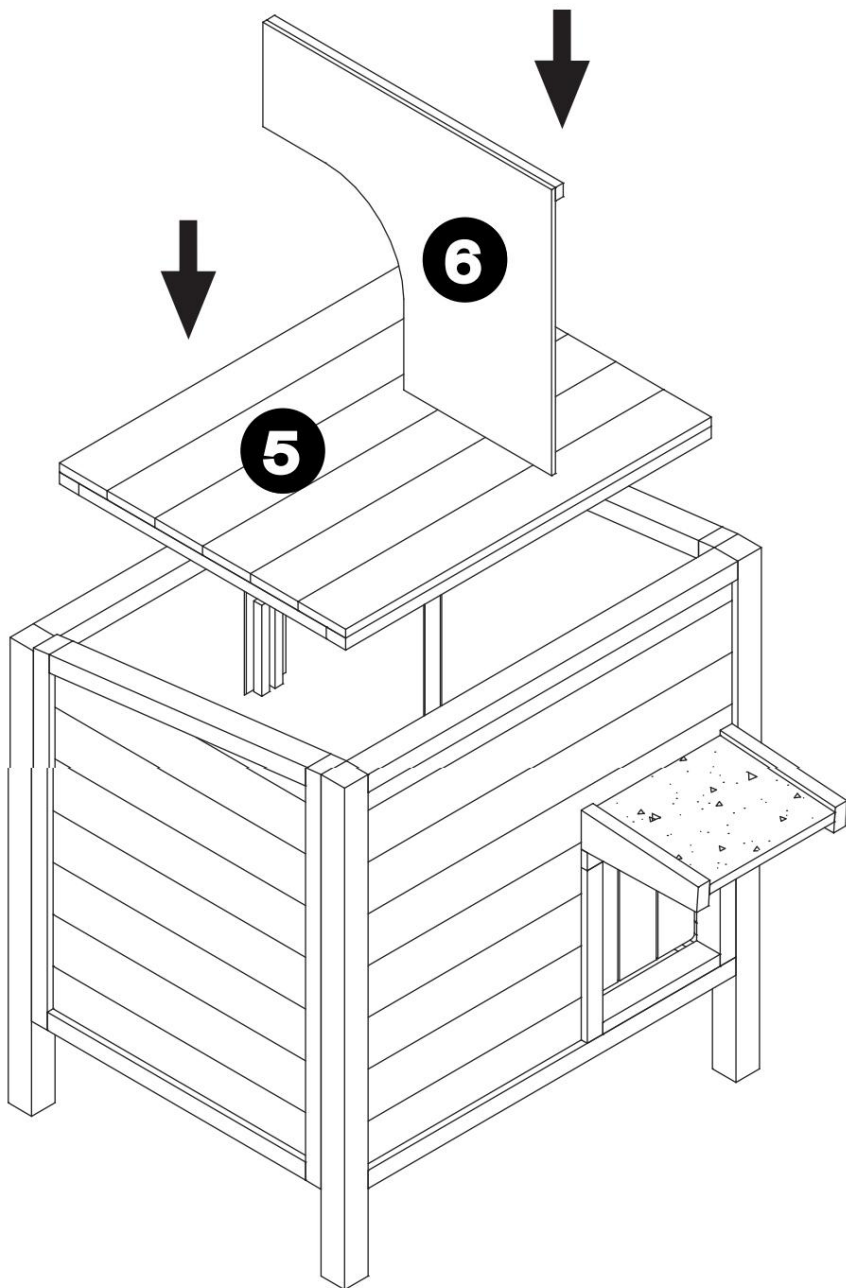
D

Produkt En sammanställning

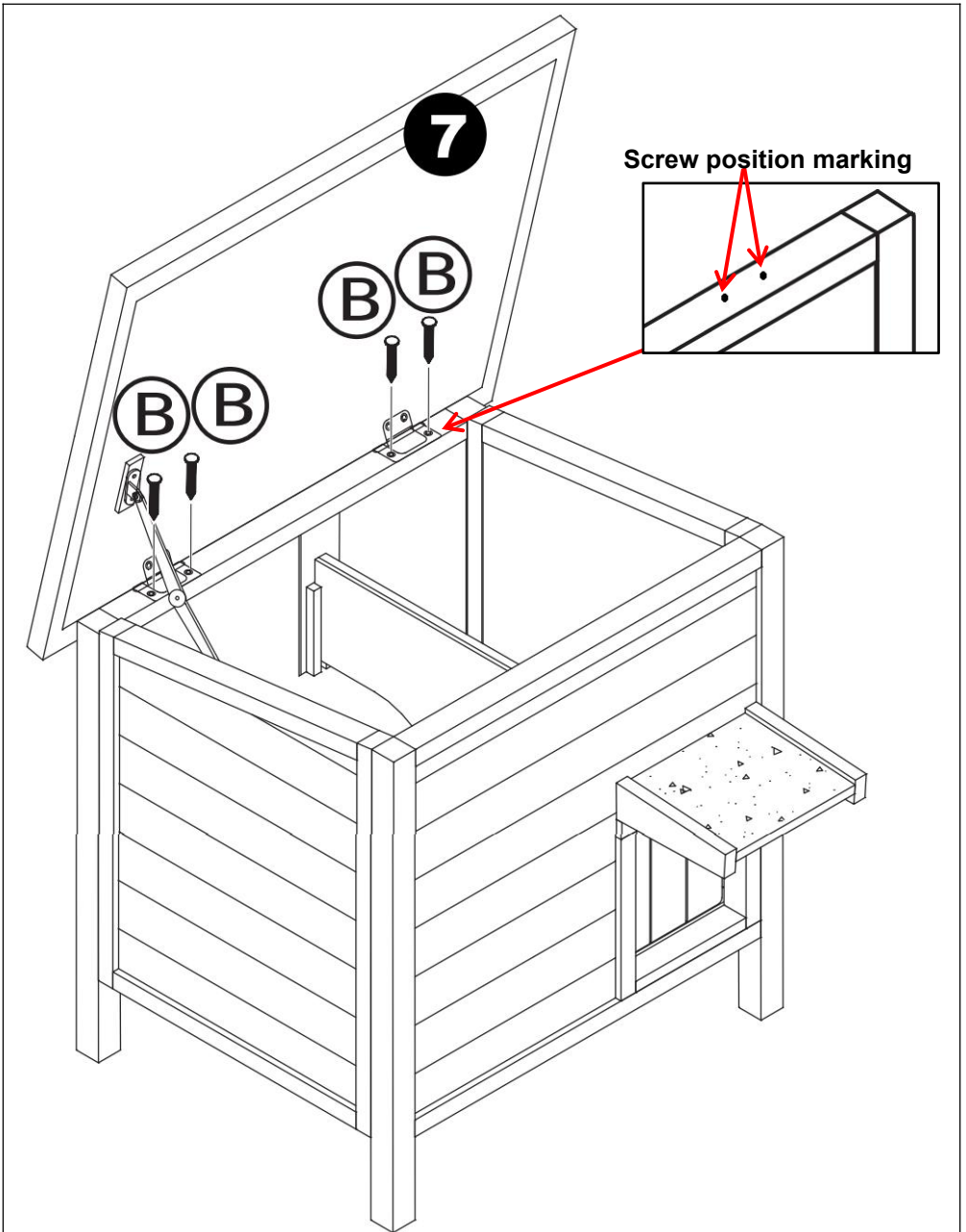




Montera (8) på framstycket med bult C .

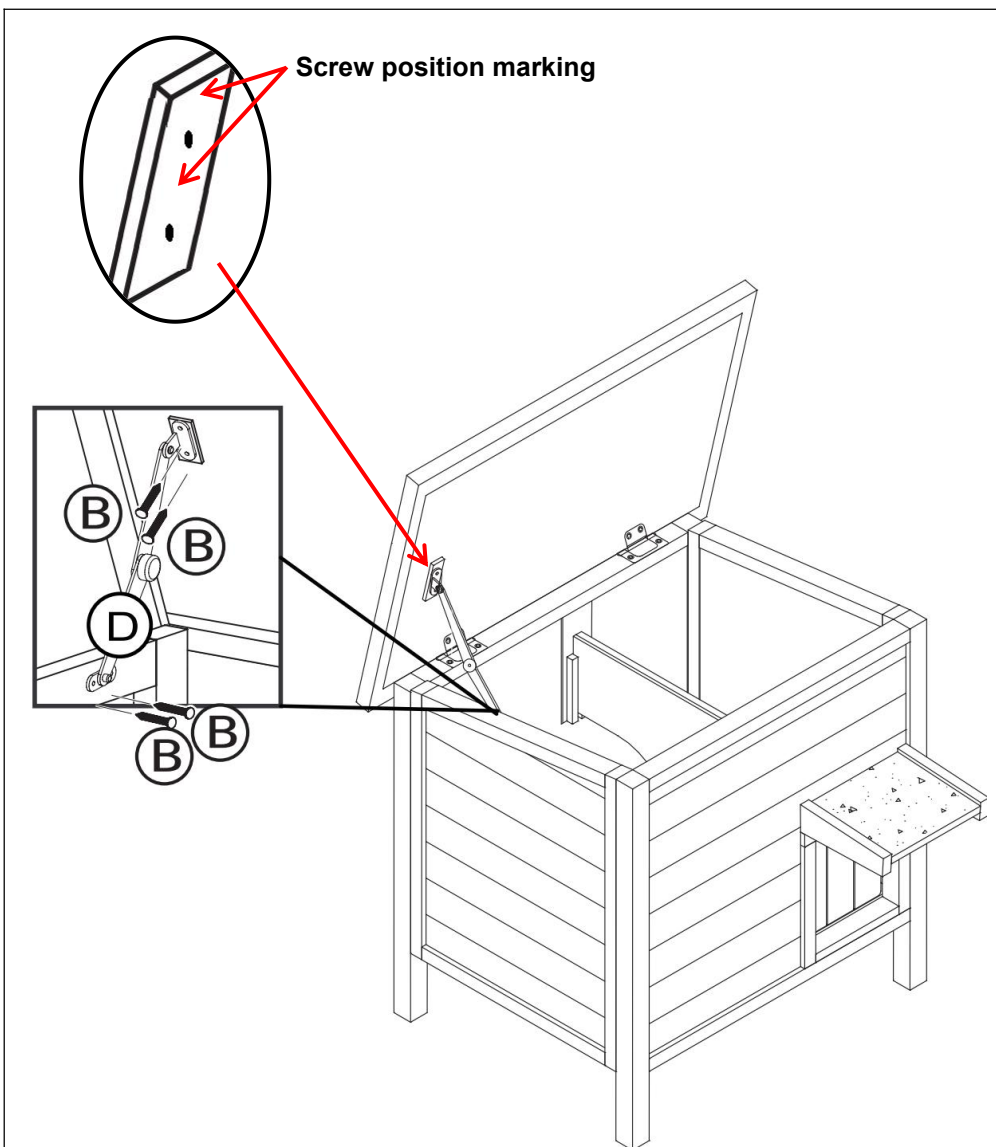


Sätt (5 och 6) i pilarnas riktning .



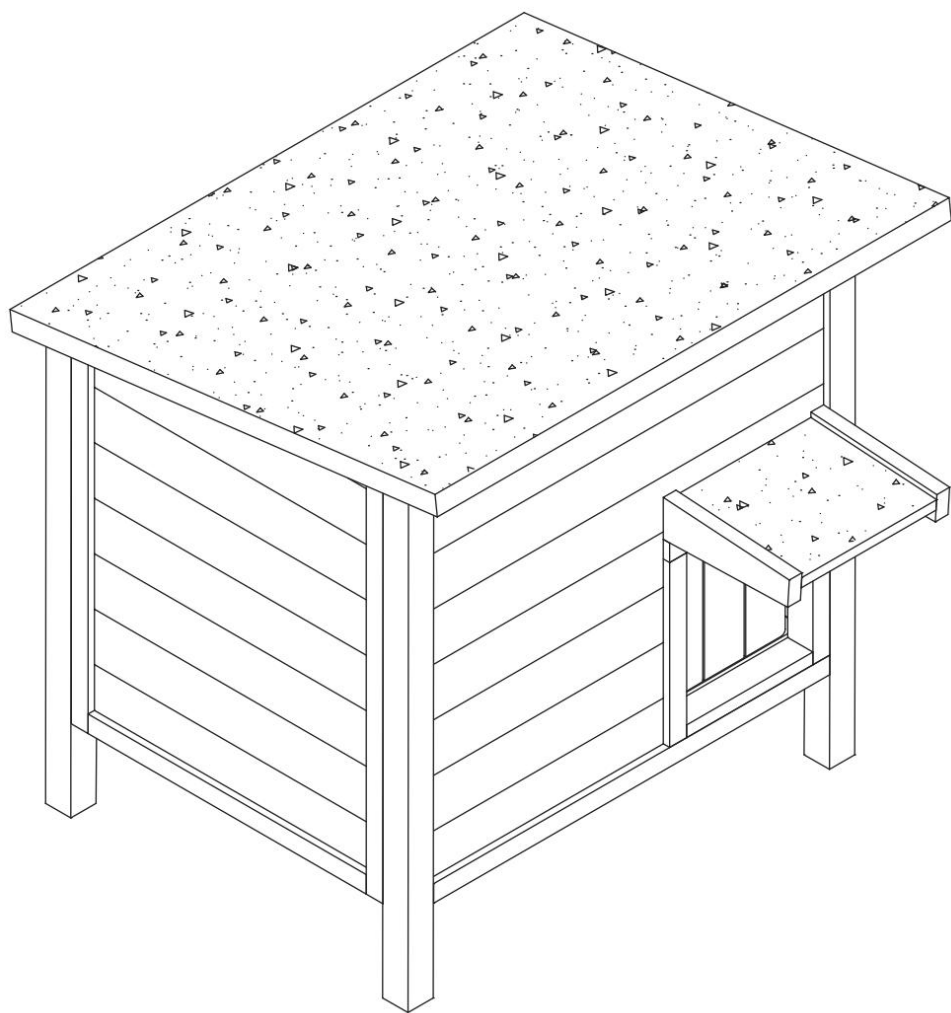
Montera (7) på bakstycket med skruv B .

Obs: För skruvinstitution, rikta in skruvplaceringsidentifieringspunkterna på sidopanelerna.



Montera de två ändarna av (D) på taket och den vänstra sidoplattan med skruvar B .

Obs: För skruvinstallation, rikta in skruvplaceringsidentifieringspunkterna på sidopanelerna.



Monteringen är klar .

Tillverkare : Shanghaimuxinmuyeyouxiangongsi

Adress: Shuangchenglu 803nong11hao1602A-1609shi, baoshanqu, shanghai 200000 CN.

Importerad till AUS: SIHAO PTY LTD. 1 ROKEVA STREETEASTWOOD NSW 2122 Australien

Importerad till USA: Sanven Technology Ltd. Suite 250, 9166 Anaheim Place, Rancho Cucamonga, CA 91730

| | |
|-----------|------------|
| EC | REP |
|-----------|------------|

E-CrossStu GmbH

Mainzer Landstr.69, 60329 Frankfurt am Main.

| | |
|-----------|------------|
| UK | REP |
|-----------|------------|

YH CONSULTING LIMITED.

C/O YH Consulting Limited Office 147, Centurion House,
London Road, Staines-upon-Thames, Surrey, TW18 4AX

VEVOR[®]

TOUGH TOOLS, HALF PRICE

Teknisk Support och e-garanticertifikat

www.vevor.com/support