

OWNER'S MANUAL

DRYER

**Read this owner's manual thoroughly before operating the appliance
and keep it handy for reference at all times.**

DLE7200*E (Elec)
DLG7201*E (Gas)



MFL67731095

www.lg.com

TABLE OF CONTENTS

3 PRODUCT FEATURES

4 SAFETY INSTRUCTIONS

- 5 IMPORTANT SAFETY INSTRUCTIONS
- 7 GROUNDING INSTRUCTIONS
- 8 CALIFORNIA SAFE DRINKING WATER AND TOXIC ENFORCEMENT ACT
- 9 FCC Notice
- 9 FCC RF Radiation Exposure Statement
- 10 PRODUCT SPECIFICATIONS

11 PRODUCT OVERVIEW

- 11 Parts
- 11 Accessories
- 11 Safety Tether Kit
- 11 Two-Way Reversible Door (on some models)

12 INSTALLATION

- 12 Installation Overview
- 12 Product Specifications
- 13 Installation Location Requirements
- 13 Clearances
- 15 Leveling the Dryer
- 15 Reversing the Door
- 23 Installing the Side Vent Kit
- 24 Venting the Dryer
- 26 Connecting Gas Dryers
- 28 Connecting Electric Dryers
- 32 Final Installation Check
- 33 Installation Test (Duct Check)

35 OPERATION

- 35 Using the Dryer
- 36 Check the Lint Filter Before Every Load
- 36 Sorting Loads
- 36 Loading the Dryer
- 37 Using the LG EasyLoad™
- 38 Control Panel
- 40 Cycle Guide
- 42 Cycle Settings and Options
- 44 SMART FUNCTIONS

46 MAINTENANCE

- 46 Regular Cleaning

47 TROUBLESHOOTING

- 47 FAQs: Frequently Asked Questions
- 47 User Support Videos
- 48 Before Calling for Service

55 SMART DIAGNOSIS™

- 55 Using Smart Diagnosis™

56 WARRANTY (USA)

PRODUCT FEATURES

Easy-to-Use Control Panel

An entire selection of user-friendly functions make operating the dryer easy.

Two-Way Easy-Access Reversible Door

The LG EasyLoad™ can be tilted open from the top, hamper-style, allowing you to easily load the dryer without items falling on the floor. The door still swings open to provide easy access for unloading or loading of bulkier items. The door hinge can be reversed to adjust to the installation location.

Flow Sense™ Duct Blockage Sensing System Indicator

The Flow Sense™ duct blockage sensing system detects and alerts you to restrictions in the installed household ductwork that reduce exhaust airflow through the dryer. If you see the alert: Clean or repair the ducts to remove the restrictions. Keep your ducts free of blockage to help increase efficiency and reduce long drying times caused by blocked ducts.

Smart ThinQ™

Download the new LG smart phone app to set options, self-diagnose and troubleshoot problems with the appliance, and other useful features. This function uses Wi-Fi.



**Protocol P154
Sanitization Performance of
Residential Clothes dryer**

SAFETY INSTRUCTIONS

READ ALL INSTRUCTIONS BEFORE USE

Your safety and the safety of others is very important.

We have provided many important safety messages in this manual and on your appliance. Always read and obey all safety messages.



This is the safety alert symbol.

This symbol alerts you to potential hazards that can kill or hurt you and others.

All safety messages will follow the safety alert symbol and either the word DANGER, WARNING, or CAUTION.

These words mean:



DANGER - You will be killed or seriously injured if you do not immediately follow instructions.



WARNING - You may be killed or seriously injured if you do not follow instructions.



CAUTION - You may be slightly injured or cause damage to the product if you do not follow instructions.

All safety messages will tell you what the potential hazard is, tell you how to reduce the chance of injury, and tell you what may happen if the instructions are not followed.



WARNING – Risk of Fire

Install the clothes dryer according to the manufacturer's instructions and local codes.

- Do not install a clothes dryer with flexible plastic venting materials. If flexible metal (foil type) duct is installed, it must be of a specific type identified by the appliance manufacturer as suitable for use with clothes dryers. Flexible venting materials are known to collapse, be easily crushed, and trap lint. These conditions will obstruct clothes dryer airflow and increase the risk of fire.
- To reduce the risk of severe injury or death, follow all installation instructions.
- Save these instructions.



WARNING

FIRE OR EXPLOSION HAZARD

Failure to follow safety warnings exactly could result in serious injury, death or property damage.

—Do not store or use gasoline or other flammable vapors and liquids in the vicinity of this or any other appliance.

—WHAT TO DO IF YOU SMELL GAS

- Do not try to light any appliance.
- Do not touch any electrical switch; do not use any phone in your building.
- Clear the room, building or area of all occupants.
- Immediately call your gas supplier from a neighbor's phone. Follow the gas supplier's instructions.
- If you cannot reach your gas supplier, call the fire department.

—Installation and service must be performed by a qualified installer, service agency or the gas supplier.

IMPORTANT SAFETY INSTRUCTIONS



WARNING

To reduce the risk of fire, electric shock, or injury to persons when using your appliance, follow basic precautions, including the following:

Installation

- Keep area around the exhaust opening and adjacent surrounding areas free from the accumulation of lint, dust, and dirt.
- Do not install or store this appliance where it will be exposed to the weather.
- **Do not place items exposed to cooking oils in your dryer.** Items contaminated with cooking oils may contribute to a chemical reaction that could cause a load to catch fire.
- **Properly ground the dryer to conform with all governing codes and ordinances.** Follow the details in the installation instructions. Electric shock may result if the dryer is not properly grounded.
- **Before use, the dryer must be properly installed as described in this manual.** Electric shock may result if the dryer is not properly grounded.
- Install and store the dryer where it will not be exposed to temperatures below freezing or exposed to the weather.
- **All repairs and servicing must be performed by authorized service personnel unless specifically recommended in this Owner's Manual. Use only authorized factory parts.** Failure to follow this warning may result in serious injury, fire, electric shock, or death.
- **To reduce the risk of electric shock, do not install the dryer in humid spaces.** Failure to follow this warning may result in serious injury, fire, electric shock, or death.
- **Connect to a properly rated, protected, and sized power circuit to avoid electrical overload.** Improper power circuits may melt, creating electric shock and/or fire hazard.
- **Remove all packing items and dispose of all shipping materials properly.** Failure to do so may result in burns, fire, explosion, or death.
- **Place the dryer at least 18 inches (45.7 cm) above the floor for a garage installation.** Failure to do so may result in burns, fire, explosion, or death.
- **Keep all packaging from children.** Packaging material can be dangerous for children. There is a risk of suffocation.
- **Do not install near another heat source such as a stove, oven or heater.** Failure to follow this warning may result in product deformation, smoke, or fire.
- Do not place candles, smoking materials, or other flammables on top of the product. Dripping wax, smoke, or fire may result.
- **Remove all protective vinyl film from the product.** Failure to do so may result in product damage, smoke, or fire.
- **Gas dryers MUST be exhausted to the outside.** Failure to follow these instructions may result in fire or death.
- The dryer exhaust system must be exhausted to the outside of the dwelling. If the dryer is not exhausted outdoors, some fine lint and large amounts of moisture will be expelled into the laundry area. An accumulation of lint in any area of the home may create a health and fire hazard.
- Use only rigid, semi-rigid or flexible metal 4-inch (10.2 cm) diameter duct inside the dryer cabinet or for exhausting to the outside. Use of plastic or other combustible ductwork may cause a fire. Punctured ductwork may cause a fire if it collapses or becomes otherwise restricted in use or during installation.
- **Ductwork is not provided with the dryer, and you should obtain the necessary ductwork locally. The end cap should have hinged dampers to prevent backdraft when the dryer is not in use.** Failure to follow these instructions may result in fire or death.
- **The exhaust duct must be 4 inches (10.2 cm) in diameter with no obstructions. The exhaust duct should be kept as short as possible. Make sure to clean old ducts before installing your new dryer.** Failure to follow these instructions may result in fire or death.
- **Rigid, semi-rigid or flexible metal ducting is recommended for use between the dryer and the wall. All non-rigid metal transition duct must be UL-listed. Use of other materials for transition duct could affect drying time.** Failure to follow these instructions may result in fire or death.
- **Do not use sheet metal screws or other fasteners which extend into the duct that could catch lint and reduce the efficiency of the exhaust system. Secure all joints with duct tape. For complete details, follow the Installation Instructions.** Failure to follow these instructions may result in fire or death.
- Certain internal parts are intentionally not grounded and may present a risk of electronic shock only during servicing. Service personnel - do not contact the following parts while the appliance is energized: CONTROL BOARD

Operation

- Read all instructions before using the appliance.
- Do not dry articles that have been previously cleaned in, washed in, soaked in, or spotted with gasoline, dry-cleaning solvents, or other flammable or explosive substances, as they give off vapors that could ignite or explode.
- Do not reach into the appliance if the drum is moving.
- Do not allow children to play on or in the appliance. Close supervision of children is necessary when the appliance is used near children.
- Do not use fabric softeners or products to eliminate static unless recommended by the manufacturer of the fabric softener or product.
- Do not use heat to dry articles containing foam rubber or similarly textured rubber-like materials.
- Do not tamper with controls.
- Always check the inside of the dryer for foreign objects. Failure to follow these instructions may result in fire or death.
- Do not store plastic, paper, or clothing that may burn or melt on top of the dryer during operation. Failure to follow these instructions may result in fire or death.
- Be careful when opening and closing the door. Fingers and hands can get caught in the door and cause injury if the door drops forward unexpectedly.
- **Do not place heavy items on or lean against the top of the door when it is open.**
- **Do not attempt to pull the hamper door open more than 40 degrees.** The dryer could tip forward, causing injury or damage.
- Do not place items on the top of the dryer.

Steam (steam model):

- **Do not open the dryer door during steam cycles.** Failure to follow these instructions may result in a burn hazard.
- **Do not dry articles that have been previously cleaned in, washed in, soaked in, or spotted with gasoline, dry-cleaning solvents, or other flammable or explosive substances as they give off vapors that could ignite or explode.** Failure to follow these instructions may result in fire or death.

- **Do not fill the steam feeder with gasoline, dry cleaning solvents, or other flammable or explosive substances.** Failure to follow these instructions may result in fire or death.
- **Do not touch the steam nozzle in the drum during or after the steam cycles.** Failure to follow these instructions may result in a burn hazard.
- **Do not fill the steam feeder with hot water (over 86 °F/30 °C).** Failure to follow these instructions may result in a burn hazard.

Maintenance

- Do not repair or replace any part of the appliance or attempt any servicing unless specifically recommended in the user maintenance instructions or in published user-repair instructions that you understand and have the skills to carry out.
- Clean the lint filter before or after each load.
- The interior of the appliance and exhaust duct should be cleaned periodically by qualified service personnel.
- Before the appliance is removed from service or discarded, remove the door to the drying compartment.
- Certain internal parts are intentionally not grounded and may present a risk of electronic shock only during servicing.
Service personnel - do not contact the following parts while the appliance is energized: CONTROL BOARD

**WARNING****Fire Hazard**

Failure to follow safety warnings exactly could result in serious injury, death or property damage.

Do not install a booster fan in the exhaust duct.

Install all clothes dryers in accordance with the installation instructions of the manufacturer of the dryer.

SAVE THESE INSTRUCTIONS

GROUNDING INSTRUCTIONS



WARNING

Improper connection of the equipment-grounding conductor may result in a risk of electric shock. Check with a qualified electrician or service person if you are in doubt that the appliance is properly grounded.

- **This appliance must be grounded.** In the event of malfunction or breakdown, grounding will reduce the risk of electric shock by providing a path of least resistance for electric current.
- **This appliance must be equipped with a cord having an equipment-grounding conductor and a grounding plug.** The plug must be plugged into an appropriate outlet that is properly installed and grounded in accordance with all local codes and ordinances.
- **Do not modify the plug.** If it will not fit the outlet, have a proper outlet installed by a qualified electrician.
- **This appliance must be connected to a grounded metal, permanent wiring system or an equipment-grounding conductor must be run with the circuit conductors and connected to the equipment-grounding terminal or lead on the appliance.** Electric shock may result if the dryer is not properly grounded.
- **The dryer should always be plugged into its own individual electrical outlet which has a voltage rating that matches the rating plate.** This provides the best performance and also prevents overloading house wiring circuits which can cause a fire hazard from overheated wires.
- **Never unplug the dryer by pulling on the power cord. Always grip the plug firmly and pull straight out from the outlet.** The power cord may be damaged, resulting in a risk of fire and electric shock.
- **Repair or replace immediately all power cords that have become frayed or otherwise damaged. Do not use a cord that shows cracks or abrasion damage along its length or at either end.** The power cord may melt, creating electric shock and/or fire hazard.
- **When installing or moving the dryer, be careful not to pinch, crush, or damage the power cord.** This will prevent injury and damage to the dryer from fire and electric shock.
- **Do not, under any circumstances, cut or remove the ground prong from the power cord.** To prevent personal injury or damage to the dryer, the electrical power cord must be plugged into a properly grounded outlet.
- **For personal safety, this dryer must be properly grounded.** Failure to do so may result in electric shock or injury.
- **Refer to the installation instructions in this manual for specific electrical requirements for your model.** Failure to follow these instructions may create an electric shock hazard and/or a fire hazard.
- **This dryer must be plugged into a properly grounded outlet. Electrical shock may result if the dryer is not properly grounded. Have the wall outlet and circuit checked by a qualified electrician to make sure the outlet is properly grounded.** Failure to follow these instructions may create an electric shock hazard and/or a fire hazard.

CALIFORNIA SAFE DRINKING WATER AND TOXIC ENFORCEMENT ACT

- This act requires the Governor of California to publish a list of substances known to the state to cause cancer, birth defects, or other reproductive harm and requires businesses to warn customers of potential exposure to such substances.
- Gas appliances can cause minor exposure to four of these substances, namely benzene, carbon monoxide, formaldehyde, and soot, caused primarily by the incomplete combustion of natural gas or LP fuels.
- Properly adjusted dryers will minimize incomplete combustion. Exposure to these substances can be minimized further by properly venting the dryer to the outdoors.



WARNING

This product contains chemicals known to the State of California to cause cancer and birth defects or other reproductive harm. ***Wash hands after handling.***

FCC Notice (For transmitter module contained in this product)

This equipment has been tested and found to comply with the limits for a Class B digital device, pursuant to Part 15 of the FCC Rules. These limits are designed to provide reasonable protection against harmful interference in a residential installation. This equipment generates, uses, and can radiate radio frequency energy and, if not installed and used in accordance with the instructions, may cause harmful interference to radio communications. However, there is no guarantee that interference will not occur in a particular installation. If this equipment does cause harmful interference to radio or television reception, which can be determined by turning the equipment off and on, the user is encouraged to try to correct the interference by one or more of the following measures:

- Reorient or relocate the receiving antenna.
- Increase the separation between the equipment and the receiver.
- Connect the equipment to an outlet on a circuit different from that to which the receiver is connected.
- Consult the dealer or an experienced radio/TV technician for help.

This device complies with part 15 of the FCC Rules. Operation is subject to the following two conditions:

- (1) this device may not cause harmful interference and
- (2) this device must accept any interference received, including interference that may cause undesired operation of the device.

Any changes or modifications in construction of this device which are not expressly approved by the party responsible for compliance could void the user's authority to operate the equipment.

FCC RF Radiation Exposure Statement

This equipment complies with FCC radiation exposure limits set forth for an uncontrolled environment. This transmitter must not be co-located or operating in conjunction with any other antenna or transmitter.

This equipment should be installed and operated with a minimum distance of 20 cm (7.8 inches) between the antenna and your body. Users must follow the specific operating instructions for satisfying RF exposure compliance.

PRODUCT SPECIFICATIONS

Model	LCW-004
Frequency Range	2412 MHz to 2462 MHz
Output Power (Max)	IEEE 802.11b: 22.44 dBm IEEE 802.11g: 24.68 dBm IEEE 802.11n: 24.11 dBm

OPEN SOURCE SOFTWARE NOTICE

To obtain the source code contained in this product, under GPL, LGPL, MPL and other open source licenses, please visit <http://opensource.lge.com>.

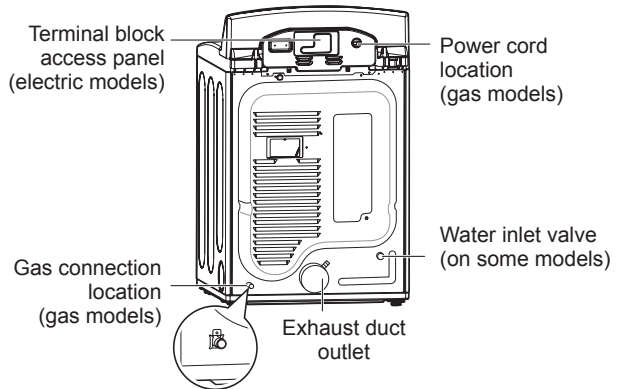
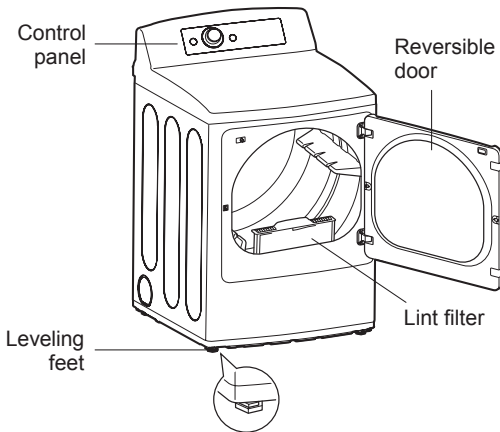
In addition to the source code, all referred license terms, warranty disclaimers and copyright notices are available for download.

LG Electronics will also provide open source code on CD-ROM for a fee covering the cost of performing such distribution (including media, shipping and handling) upon email request to opensource@lge.com.

This offer is valid for three (3) years from the date of purchase of the product.

PRODUCT OVERVIEW

Parts



Accessories

Included Accessories

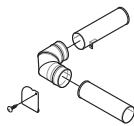


Safety Tether Kit
(on some models)

Optional Accessories

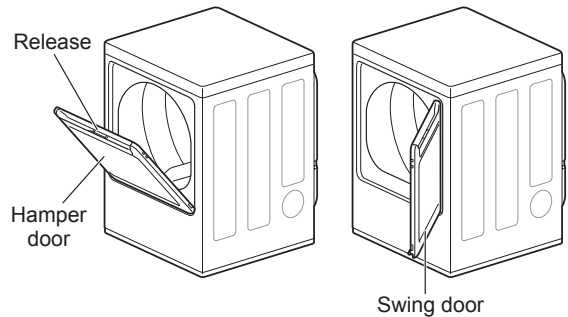


Drying rack
(sold separately)
No. 3750EL0001C



Side vent kit
(sold separately)
Kit No. 383EEL9001B

Two-Way Reversible Door (on some models)



The LG EasyLoad™ feature allows you to open the dryer door from the top, hamper-style, when loading the dryer to help guide clothes into the drum and prevent them from falling onto the floor. When unloading the dryer or loading bulkier items, use the swing door for easy access to the drum.

Safety Tether Kit

This optional kit helps prevent the dryer tipping if children climb on the door or if someone should fall onto the door. It is recommended that you install this kit, depending on your situation, but it is not required. Follow the customer installation instructions included with the kit to properly install the kit. If you do not install the kit, store it out of reach of children.

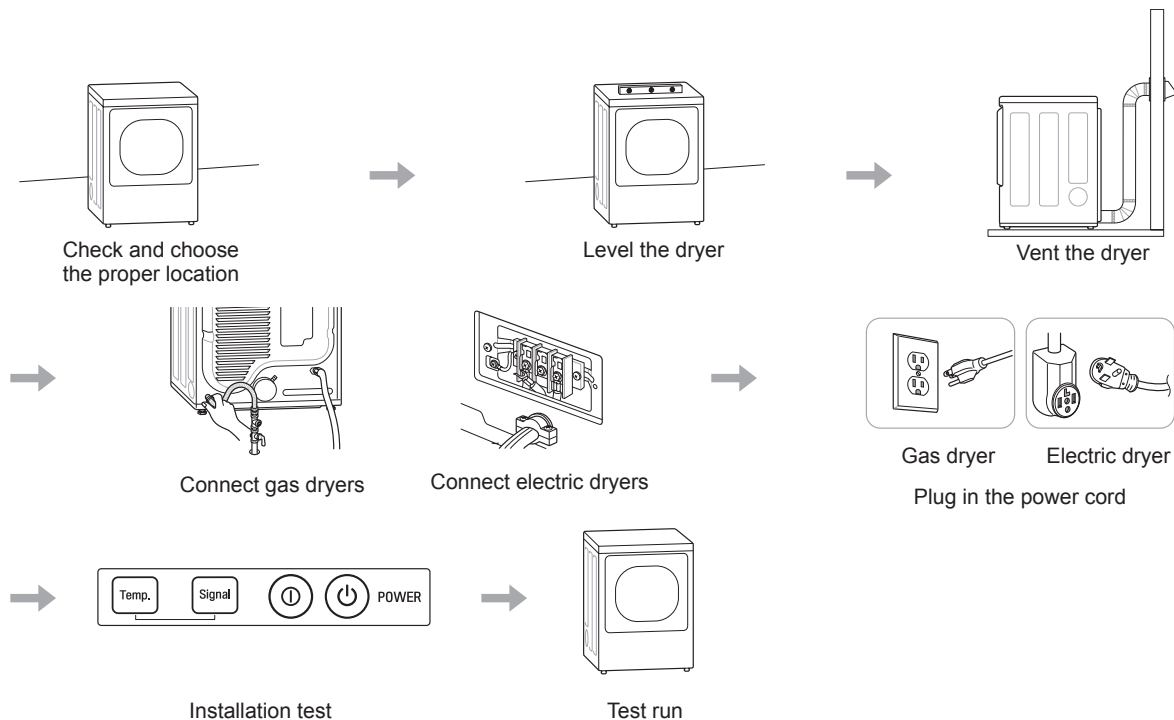
NOTE

- For your safety and for extended product life, use only authorized components. The manufacturer is not responsible for product malfunction or accidents caused by the use of separately purchased unauthorized components or parts.
- The images in this guide may be different from the actual components and accessories, which are subject to change by the manufacturer without prior notice for product improvement purposes.

INSTALLATION

Installation Overview

Please read the following installation instructions first after purchasing this product or transporting it to another location.



Product Specifications

The appearance and specifications listed in this manual may vary due to constant product improvements.

Dryer Models	DLE7200*E, DLG7201*E
Electrical requirements	Please refer to the rating label regarding detailed information.
Gas requirements	NG: 4–10.5-inch WC LP: 8–13-inch WC
Dimensions	27" (W) X 28 15/16" (D) X 44 1/4" (H), 50 1/4" (D with door open) 68.6 cm (W) X 73.4 cm (D) X 112.3 cm (H), 127.5 cm (D with door open)
Net weight	Gas dryer : 132.5 lb (60.1 Kg) Electric dryer : 129.8 lb (58.9 Kg)
Drying capacity - Normal cycle	IEC 7.3 cu.ft. (22.5 lb/10.2 kg)

NOTE

Model numbers can be found on the cabinet inside the door.

Installation Location Requirements

WARNING

Read all installation instructions completely before installing and operating the dryer! It is important that you review this entire manual before installing and using the dryer. Detailed instructions concerning electrical connections, gas connections, and exhaust requirements are provided on the following pages.

The installation requires:

- A location that allows for proper exhaust installation. A gas dryer must be exhausted to the outdoors. See Venting the Dryer.
- A grounded electrical outlet located within 2 ft. (61 cm) of either side of the dryer. See Connecting Electric Dryers .
- A sturdy floor to support the total dryer weight of 200 lb (90.7 kg). The combined weight of a companion appliance should also be considered.
- No other fuel-burning appliance can be installed in the same closet as a dryer.

Do not operate the dryer at temperatures below 45 °F (7 °C). At lower temperatures, the dryer might not shut off at the end of an automatic cycle. This can result in longer drying times. The dryer must not be installed or stored in an area where it will be exposed to water and/or weather. Check code requirements. Some codes limit, or do not permit, installation of the dryer in garages, closets, mobile homes or sleeping quarters. Contact your local building inspector.

NOTE

- The floor must be level, with a maximum slope of 1 inch (2.5 cm) under the entire dryer. Clothes may not tumble properly, and automatic sensor cycles may not operate correctly if dryer is not level.
- For a garage installation, you will need to place the dryer at least 18 inches (46 cm) above the floor. The standard pedestal is 15 inches (38.1 cm). You will need 18 inches (46 cm) from the garage floor to the bottom of the dryer.

Clearances

Installation Spacing for Recessed Area or Closet Installation

The following spacing dimensions are recommended for this dryer. This dryer has been tested for clearances of 1 inch (2.5 cm) on the sides and rear. Recommended clearances should be considered for the following reasons:

- Additional clearances should be considered for ease of installation and servicing.
- Additional clearances might be required for wall, door and floor moldings.
- Additional clearances should be considered on all sides of the dryer to reduce noise transfer. For closet installation, with a door, minimum ventilation openings in the top and bottom of the door are required. Louvered doors with equivalent ventilation openings are acceptable.
- Companion appliance spacing should also be considered.

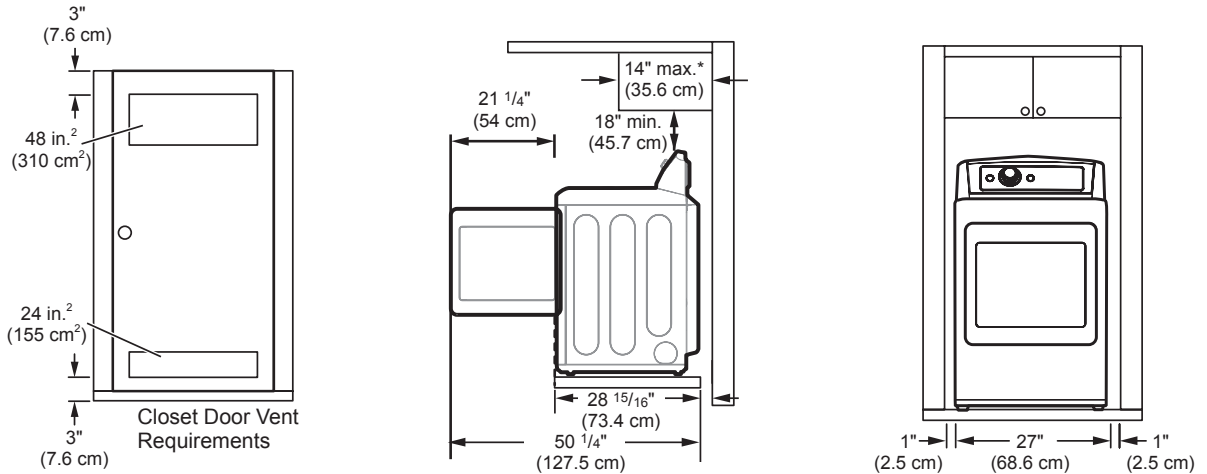
Closet Ventilation Requirements

Closets with doors must have both an upper and lower vent to prevent heat and moisture buildup in the closet. One upper vent opening with a minimum opening of 48 sq. in. (310 cm²) must be installed no lower than 6 feet above the floor. One lower vent opening with a minimum opening of 24 sq. in. (155 cm²) must be installed no more than one foot above the floor. Install vent grills in the door or cut down the door at the top and bottom to form openings. Louvered doors with equivalent ventilation openings are also acceptable.

NOTE

There should be at least a little space around the dryer (or any other appliance) to eliminate the transfer of vibration from one appliance to another. If there is enough vibration, it could cause appliances to make noise or come into contact, causing paint damage and further increasing noise.

Installation Spacing for Recessed Area or Closet

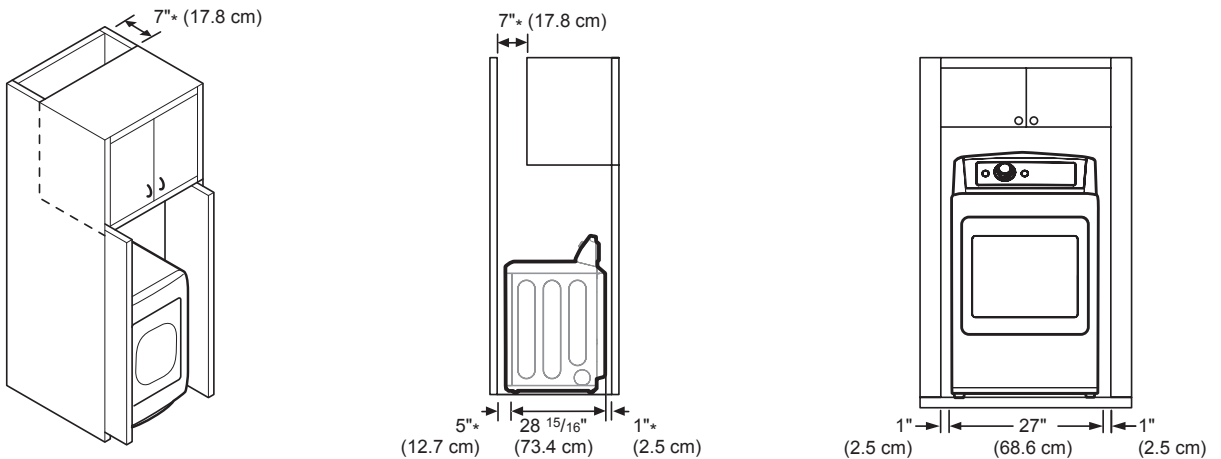


* Required spacing

Installation Spacing for Cabinet

For cabinet installation with a door, minimum ventilation openings in the top of the cabinet are required.

* Required spacing



Leveling the Dryer

WARNING

To reduce the risk of injury to persons, adhere to all industry recommended safety procedures including the use of long-sleeved gloves and safety glasses. Failure to follow this warning may result in serious injury or death.

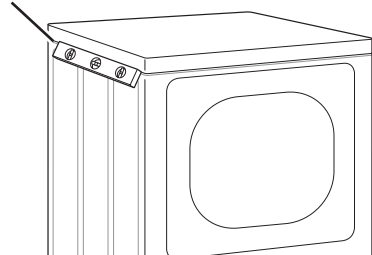
- The appliance is heavy. Two or more people are required when installing the dryer. Failure to follow this warning may result in serious injury or death.
- To ensure that the dryer provides optimal drying performance, it must be level. To minimize vibration, noise, and unwanted movement, the floor must be a perfectly level, solid surface.

NOTE

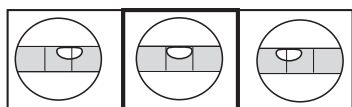
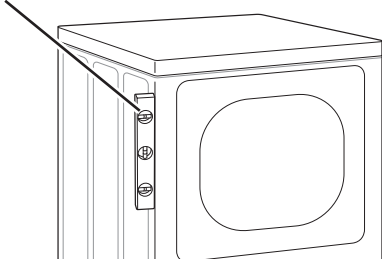
Adjust the leveling feet only as far as necessary to level the dryer. Extending the leveling feet more than necessary may cause the dryer to vibrate.

- 1 Position the dryer in the final location. Check levelness of dryer from side to side. Repeat from front to back.

Place level here

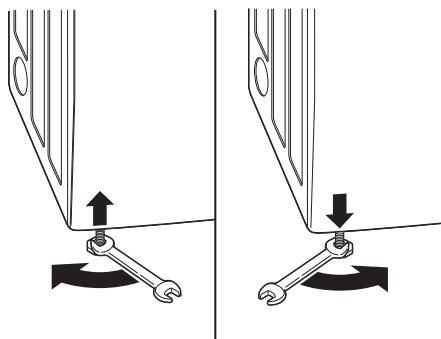


Place level here



Not Level Level Not Level

- 2 Use an adjustable wrench to turn the leveling feet. Unscrew the legs to raise the dryer or screw in the legs to lower it. Raise or lower with the leveling feet until the dryer is level from side to side and front to back. Make sure that all four leveling feet are in firm contact with the floor.



If you are installing the dryer on the optional pedestal, you must use the leveling feet on the pedestal to level the dryer. The dryer leveling feet should be fully retracted.

Reversing the Door

Tools Required

- Phillips or large flat-blade screwdriver (for hinge screws)
- Small flat-blade screwdriver (for lifting out parts)

WARNING

The dryer door is very large and heavy.

Failure to follow the instructions below can result in damage to the dryer, property damage or personal injury.

- To avoid damage to the dryer or the door, support the door with a stool or box that fits under the door, or have an assistant support the weight of the door.
- Avoid dropping the door to prevent damage to the door or the floor.
- Unplug the dryer or turn off power at the main circuit breaker before beginning door reversal.

Door Reversal Instructions

NOTE

The instructions here are for changing the door swing from a right to a left side hinge. If the door has been reversed, and it is necessary to change it back, use care when following these instructions.

Some of the illustrations and the left/right references will be reversed, and you will need to read the instructions carefully.

Swing door

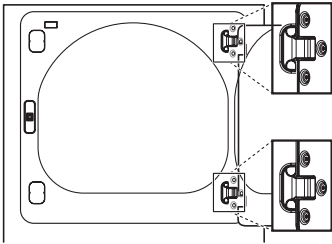
- 1 Open the door from the side so that the hinge screws are accessible.

⚠ WARNING

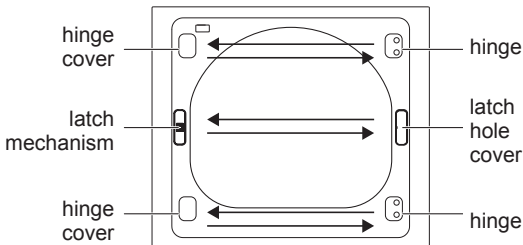
Be sure to support the weight of the door before removing the hinge screws.

- 2 Remove the four hinge screws.

While supporting the door, remove the four hinge screws, two from each hinge. Set the door aside face down on a protected surface to prevent damage to the door or the work surface.

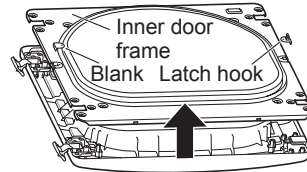


- 3 Reverse the components on the cabinet.

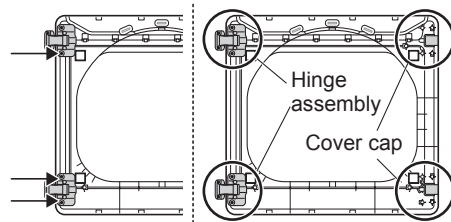


- a. Use a Phillips screwdriver to remove the two screws and the latch mechanism on the front panel of the cabinet.
- b. Remove the latch hole cover by gently prying it up with a flat blade screwdriver, being careful not to scratch the paint. Install the latch hole cover on the opposite side, where the latch mechanism was removed. Install the latch mechanism in the position from which you removed the latch hole cover, using the two screws removed in step a.
- c. Remove the hinge cover by gently prying it up with a flat blade screwdriver, being careful not to scratch the paint. Rotate the hinge cover 180 degrees and install it on the opposite side, where the hinge was attached.

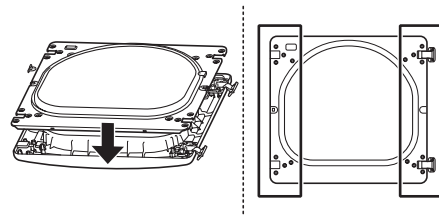
- 4 With the door on a protected surface, remove the 16 screws on the sides of the door and lift off the inner door frame using a flat blade screwdriver. Remove the latch hook and blank and install them on the opposite side.



- 5 Remove the 4 screws securing the hinges to the door frame. Remove the two plastic cover caps. Reinstall the hinges and cover caps on the opposite sides from which they were removed.



- 6 With the hinges and cover caps in the new locations, remount the inner door frame onto the outer door frame with the screws removed in step 4 above.

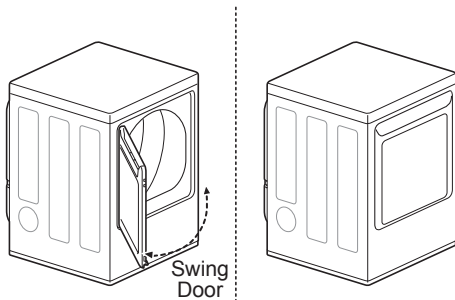


⚠ WARNING

Be sure to support the weight of the door before installing the hinge screws.

7 Reinstall the door.

While supporting the door, install the four hinge screws removed in step 2. Test the swing of the door to make sure the hinges and latch are properly aligned and that the door opens, closes and latches properly.



Easy Load™ Door (on some models)

NOTE

The door reversal procedure for the Easy Load door is far more complex than for a conventional swing door. Read through these instructions in their entirety before beginning the process, to judge whether you prefer to have the procedure done by a professional installer or service person.

The instructions here are for changing the door swing from a right to a left side hinge. If the door has been reversed, and it is necessary to change it back, use care when following these instructions. Some of the illustrations and the left/right references will be reversed, and you will need to read the instructions carefully.

Tools Required

Phillips or large flat-blade screwdriver (for hinge screws)
Small flat-blade screwdriver (for lifting out parts)

WARNING

- The dryer door is very large and heavy.** Failure to follow the instructions below can result in damage to the dryer, property damage or personal injury.
- To avoid damage to the dryer or the door, support the door with a stool or box that fits under the door, or have an assistant support the weight of the door.
 - Avoid dropping the door to prevent damage to the door or the floor.
 - Unplug the dryer or turn off power at the main circuit breaker before beginning door reversal.

ON THE CABINET :

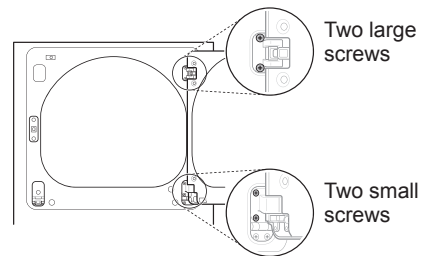
1 Open the door from the side so that the hinge screws are accessible.

WARNING

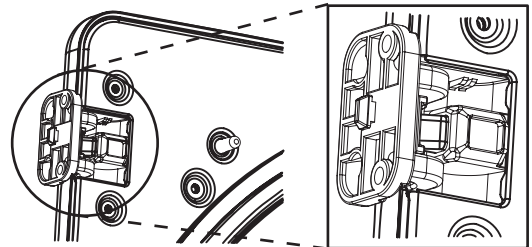
Be sure to support the weight of the door before installing the hinge screws.

2 Remove the door from cabinet.

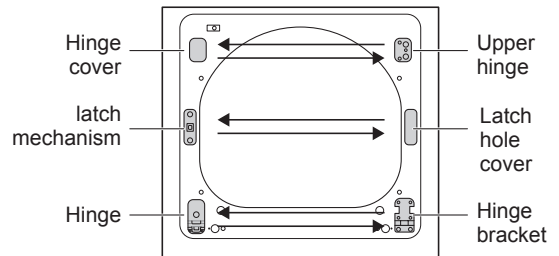
- a. While supporting the door, remove the four hinge screws.



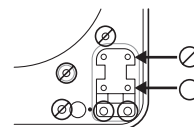
- b. Lift the door slightly to disengage the hinge support and remove the door from the cabinet. Set the door aside face down on a protected work surface.



3 Reverse the components on the cabinet.

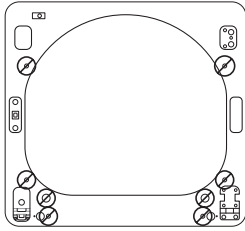


- a. Use a Phillips screwdriver to remove the two screws and the latch mechanism on the front panel of the cabinet.
- b. Remove the latch hole cover by gently prying it up with a flat blade screwdriver, being careful not to scratch the paint. Install the latch hole cover on the opposite side, where the latch mechanism was removed. Install the latch mechanism in the position from which you removed the latch hole cover, using the two screws removed in step a.
- c. Remove the hinge cover by gently prying it up with a flat blade screwdriver, being careful not to scratch the paint. Rotate the hinge cover 180 degrees and install it on the opposite side, where the upper hinge was attached.
- d. Reverse the hinge and the hinge bracket at the bottom of the cabinet. Remove the two screws from the hinge bracket at the bottom right and remove the hinge bracket. Remove the lower of the two screws behind the hinge bracket. Do NOT remove the upper screw behind the hinge bracket. Set the parts aside.

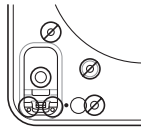


CAUTION

Do NOT remove any of the eight screws on the face of the cabinet (marked below). Doing so could result in damage to the dryer and the need for a service call to repair the dryer.

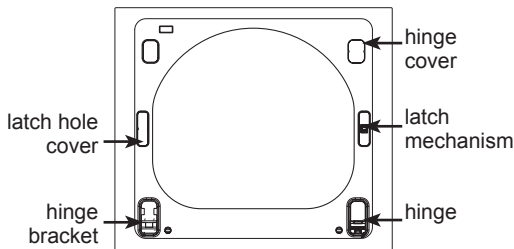


e. Remove the three screws on the hinge at the bottom left. Remove the hinge and reinstall it on the right side. The top screw will occupy the hole where you removed the screw behind the hinge bracket in step d.



f. Install the hinge bracket removed in step d on the bottom left side, first installing one screw behind the hinge bracket.

Cabinet Reversal complete



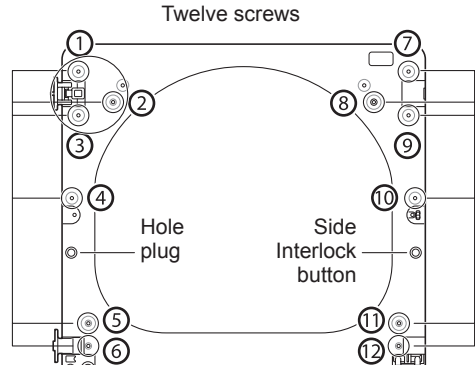
ON THE DOOR:

4 Lift off the door cover.

With the door laid inside facing up on a protected surface, remove the twelve screws on the inside of the door. (The two bottom screws will be different from the rest.) Carefully lift off the door cover with the help of a small flat blade screwdriver inserted in the upper left corner.

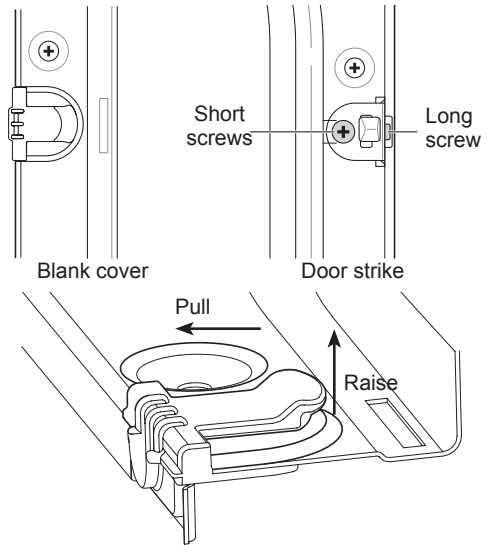
WARNING

The edges of the door cover may be sharp. Take care when handling, or wear gloves to avoid injury.



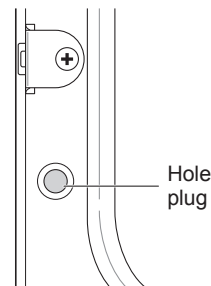
5 Switch the door strike and the blank cover.

Remove the two screws on the door cover that secure the door strike. Switch the door strike and the blank cover, installing them on the opposite sides from which they were removed. It may be difficult to insert the two screws in the door strike on the opposite side. Use a cordless screwdriver if necessary.



Remove blank cover

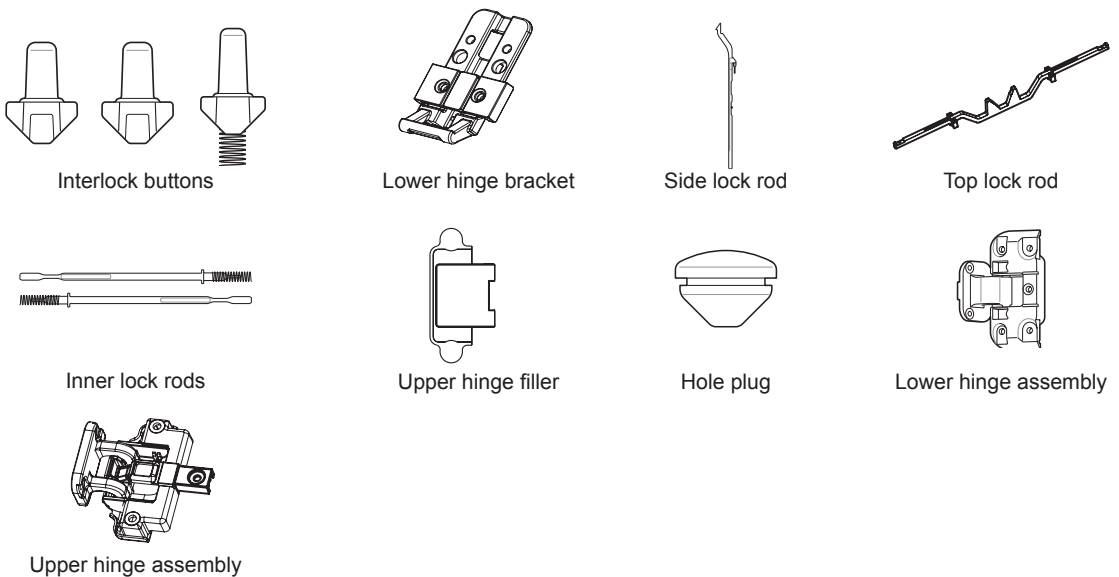
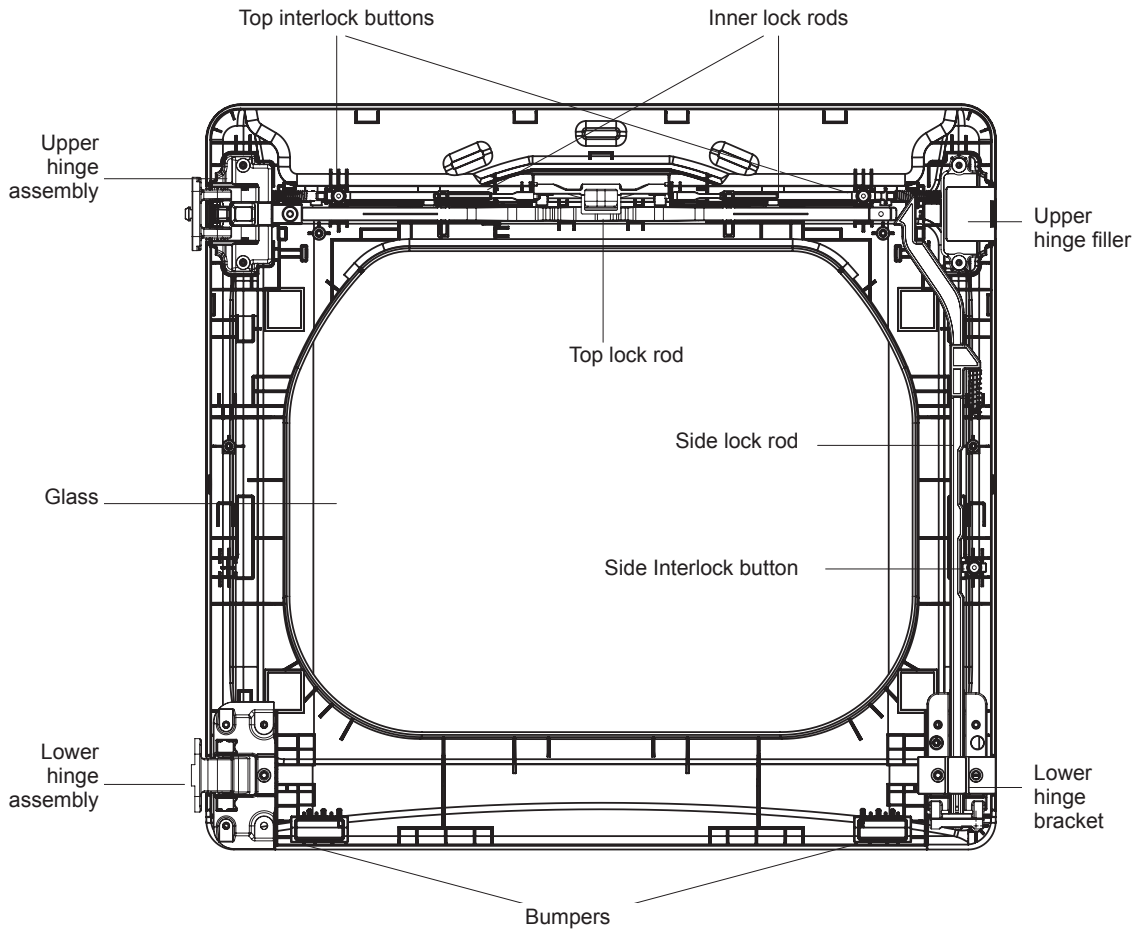
Gently pry out the hole plug on the side of the door cover and install it in the hole on the opposite side.



Set the door cover aside.

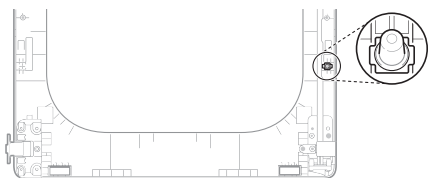
6 Reverse the components inside the door.

You will now be removing and reversing various components inside the door. See below for a detailed diagram and identification of the inner structure and parts of the door. (The diagram shows the “before view” of the door, with the default set-up for a right side hinge swing. After following these instructions, the door should be a mirror image of the illustration.)



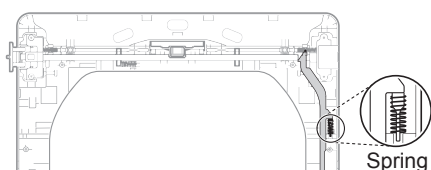
7 Lift out the gray interlock button in the side of the door.

Make sure to remove the spring with the interlock button and to keep the two together. Set the interlock button aside. Do not confuse this with the interlock buttons from the top of the outer door.



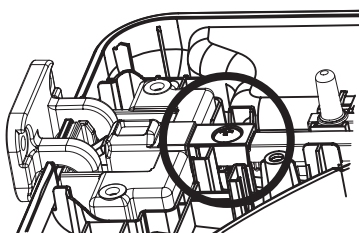
8 Remove the side lock rod.

Remove the side lock rod from the lower hinge bracket by lifting the top end of the rod and sliding it toward the top of the door. The spring should remain attached to the lock rod. Set the lock rod aside.

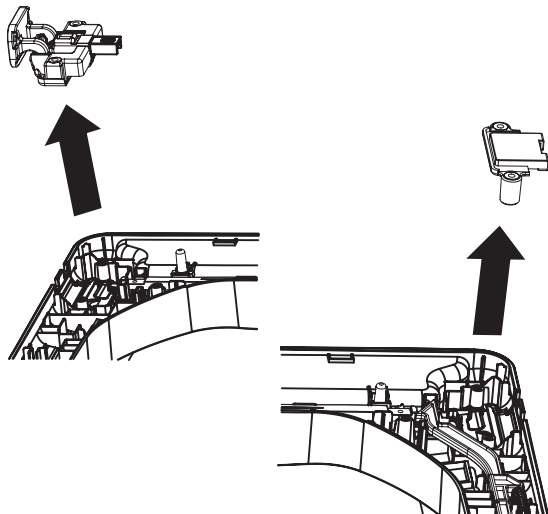


9 Reverse the upper hinge assembly and hinge filler.

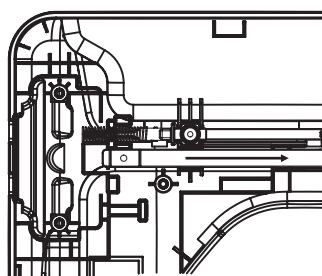
a. Remove the screw connecting the upper hinge assembly to the top lock rod and set it aside.



b. Lift out the upper hinge filler (on the right) and set it aside.

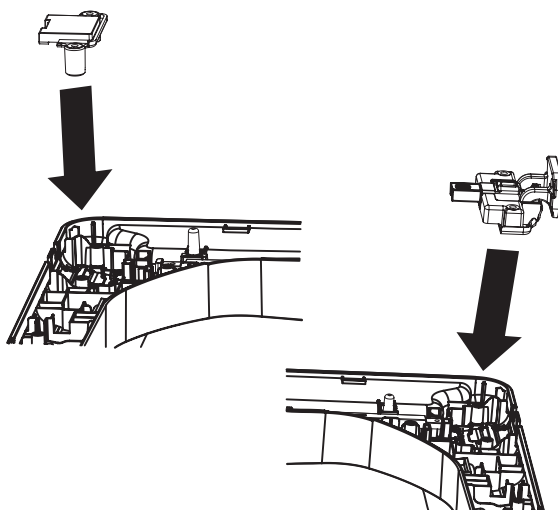


c. Lift out the upper hinge assembly (on the left).

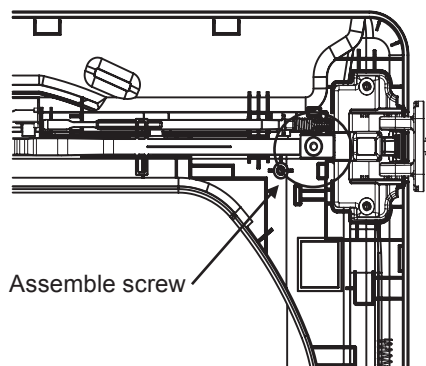


d. Slide the upper lock rod to the right. Rotate the upper hinge assembly 180 degrees, and install it over the lock rod on the right, where you removed the upper hinge filler. Press firmly to fully seat the hinge assembly.

e. Rotate the hinge filler 180 degrees and install it on the upper left side of the door.

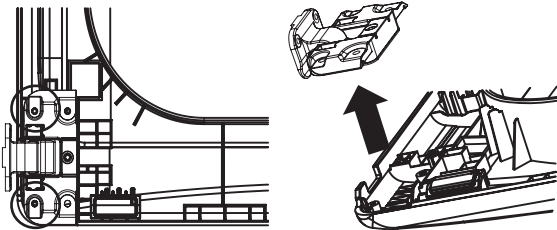
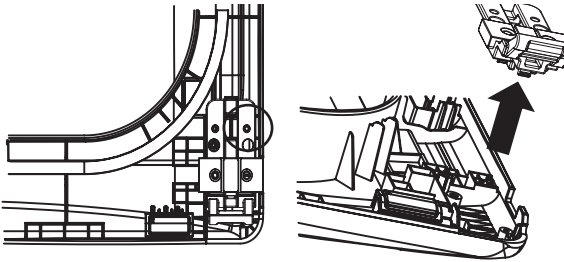


f. Insert and tighten the screw connecting the upper hinge assembly to the top lock rod, removed in step a.

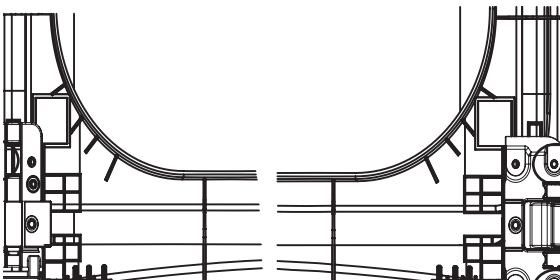
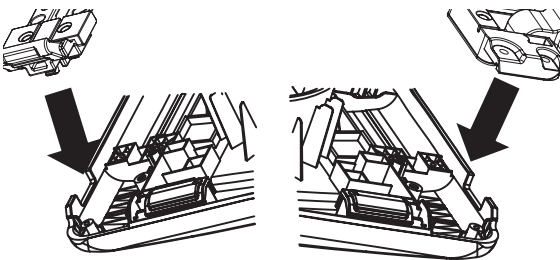


10 Reverse the lower hinge bracket and hinge assembly.

- a. Remove one screw from the lower hinge bracket (on the right) and lift it out. Remove two screws from the lower hinge assembly (on the left) and lift it out.



- b. Rotate the lower hinge assembly 180 degrees and install it on the right side using the two screws removed in step a.
- c. Mount the lower hinge bracket on the lower left with the screw removed in step a.



11 Install the side lock rod.

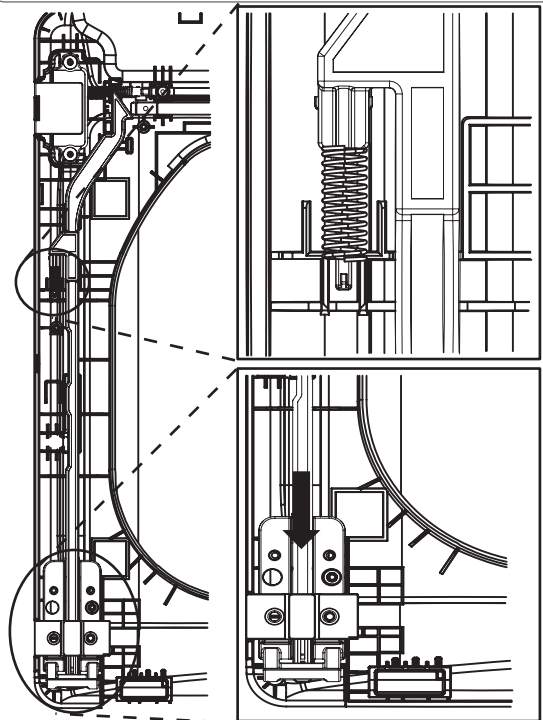
- a. Flip the side lock rod over and insert the lower end into the left hinge bracket.
- b. Lower the rod into the guides on the door while compressing the spring inside the recess.

NOTE

Make sure the top of the side lock rod is beside the top lock rod and the two do not overlap each other. If they are not aligned properly, the door will not operate properly.

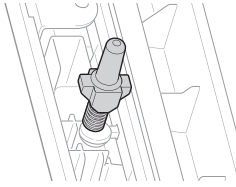
NOTE

Make sure the spring stays on the side lock rod.



12 Reinstall the side interlock button.

Install the side interlock button on the opposite side from which it was removed.

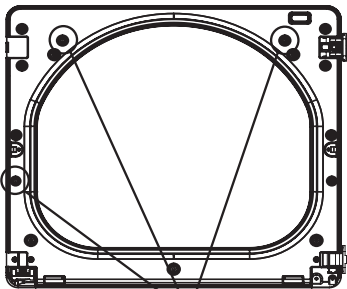
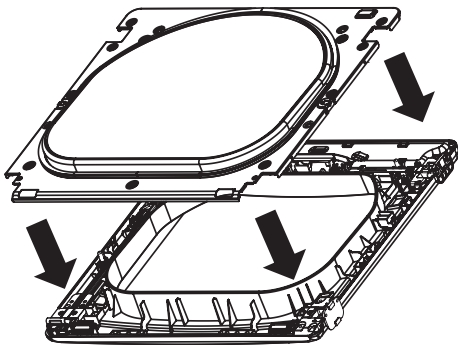


NOTE

Make sure the spring is on the interlock button and is centered in the compartment.

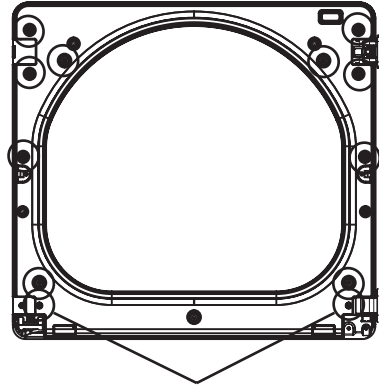
13 Reinstall the door cover.

- a. Clean the glass on the door and door cover, if necessary.
- b. Make sure the three gray interlock buttons are properly installed and that the top and side lock rods intersect properly.
- c. Carefully lower the door cover into place, aligning the holes in the cover with the three interlock buttons and the bumpers on the bottom edge. You may need to force fit the door cover.
- d. Once the door cover is in place, secure it with the 12 screws removed in step 4.



NOTE

Make sure the three interlock buttons are aligned with the holes in the door cover.



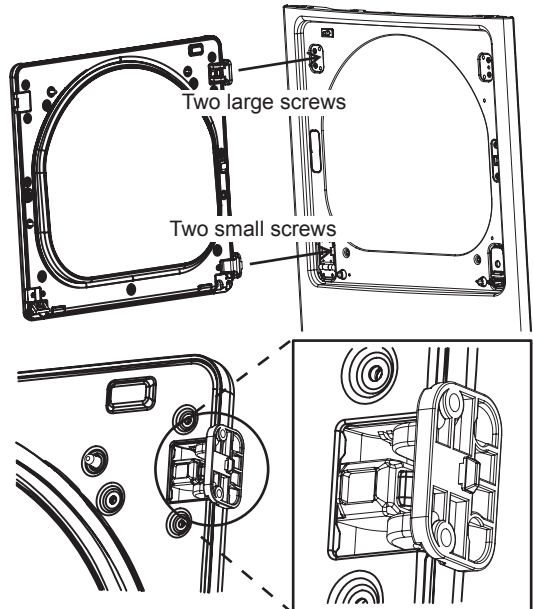
Two different screws

NOTE

Ten similar screws are inserted in the top and sides of the door cover. The two different screws are inserted in the bottom edge.

14 Reassemble the door on cabinet.

While supporting the door, insert the hinge support into the slot in the door and slide the door down slightly to seat it. Install the four hinge screws removed in step 2. Test the swing of the door to check the alignment of the hinges and latch. Make sure the door opens, closes, and latches properly in both directions.



NOTE

If the door is damaged, or if the door does not work after reassembly, contact the call center at 1-800-243-0000.

Installing the Side Vent Kit

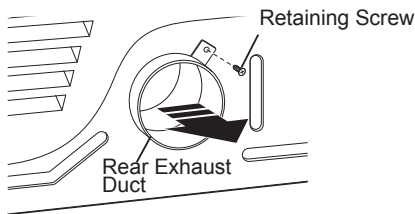
⚠ WARNING

- Use a heavy metal vent.
- Do not use plastic or thin foil ducts.
- Clean old ducts before installing this dryer.
- To reduce the risk of injury to persons, adhere to all industry recommended safety procedures including the use of long-sleeved gloves and safety glasses.
- Failure to follow all of the safety warnings in this manual could result in property damage, injury to persons, or death.

The dryer is shipped to vent to the rear. It can also be configured to vent to the bottom or side (right-side venting is not available on gas models).

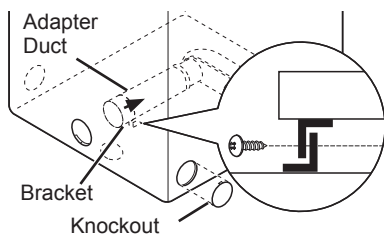
An adapter kit, part number 383EEL9001B, may be purchased from an LG retailer. This kit contains the necessary duct components to change the dryer vent location.

- 1 Remove the rear exhaust duct retaining screw. Pull out the exhaust duct.

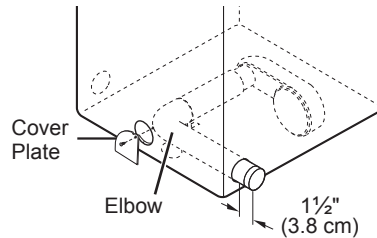


Option 1: Side Venting

- 2 Press the tabs on the knockout and carefully remove the knockout for the desired vent opening (right-side venting is not available on gas models). Press the adapter duct onto the blower housing and secure to the base of the dryer as shown.

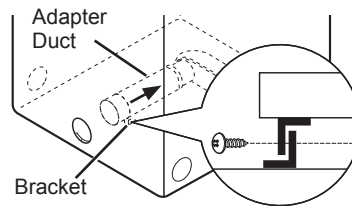


- 3 Preassemble a 4-inch (10.2 cm) elbow to the next 4-inch (10.2 cm) duct section, and secure all joints with duct tape. Be sure that the male end of the elbow faces AWAY from the dryer. Insert the elbow/duct assembly through the side opening and press it onto the adapter duct. Secure it in place with duct tape. Be sure that the male end of the duct protrudes 1½ inches (3.8 cm) to connect the remaining ductwork. Attach the cover plate to the back of the dryer with the included screw.

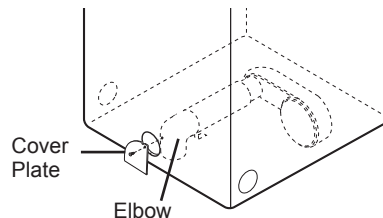


Option 2: Bottom Venting

- 2 Press the adapter duct onto the blower housing and secure it to the base of the dryer as shown.



- 3 Insert the 4-inch (10.2 cm) elbow through the rear opening and press it onto the adapter duct. Be sure that the male end of the elbow faces down through the hole in the bottom of the dryer. Secure it in place with duct tape. Attach the cover plate to the back of the dryer with the included screw.



Venting the Dryer

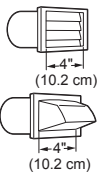
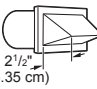
WARNING

To reduce the risk of fire or explosion, electric shock, property damage, injury to persons or death when using this appliance, follow basic safety precautions, including the following:

- **Do not crush or collapse ductwork.** Failure to follow these instructions may result in fire or death.
- **Do not allow ductwork to rest on or contact sharp objects.** Failure to follow these instructions may result in fire or death.
- **If connecting to existing ductwork, make sure it is suitable and clean before installing the dryer.** Failure to follow these instructions may result in fire or death.
- **Venting must conform to local building codes.** Failure to follow these instructions may result in fire or death.
- **Gas dryers MUST exhaust to the outdoors.** Failure to follow these instructions may result in fire or death.
- **Use only 4-inch (10.2 cm) rigid, semi-rigid or flexible metal ductwork inside the dryer cabinet and for venting outside.** Failure to follow these instructions may result in fire or death.
- **To reduce the risk of fire, combustion, or accumulation of combustible gases, DO NOT exhaust dryer air into an enclosed and unventilated area, such as an attic, wall, ceiling, crawl space, chimney, gas vent, or concealed space of a building.** Failure to follow these instructions may result in fire or death.
- **To reduce the risk of fire, DO NOT exhaust the dryer with plastic or thin foil ducting.** Failure to follow these instructions may result in fire or death.
- **The exhaust duct must be 4 inches (10.2 cm) in diameter with no obstructions. The exhaust duct should be kept as short as possible. Make sure to clean any old ducts before installing your new dryer.** Failure to follow these instructions may result in fire or death.
- **Rigid, semi-rigid or flexible metal ducting is recommended for use between the dryer and the wall. All non-rigid metal transition duct must be UL-listed. Use of other materials for transition duct could affect drying time.** Failure to follow these instructions may result in fire or death.

- **DO NOT use sheet metal screws or other fasteners which extend into the duct that could catch lint and reduce the efficiency of the exhaust system. Secure all joints with duct tape.** Failure to follow these instructions may result in fire or death.
- **Do not exceed the recommended duct length limitations noted in the chart.** Failure to follow these instructions may result in extended drying times, fire or death.
- **Ductwork is not provided with the dryer. You should obtain the necessary ductwork locally. The vent hood should have hinged dampers to prevent backdraft when the dryer is not in use.** Failure to follow these instructions may result in fire or death.
- **The total length of flexible metal duct must not exceed 8 ft. (2.4 m).**
- **In Canada, only those foil-type flexible ducts, if any, specifically identified for use with the appliance by the manufacturer should be used.** In the United States, only those foil-type flexible ducts, if any, specifically identified for use with the appliance by the manufacturer and that comply with the Outline for Clothes Dryer Transition Duct, Subject 2158A, should be used.

Ductwork

Wall Cap Type	Number of 90° Elbows	Maximum length of 4-inch (10.2 cm) diameter rigid metal duct
	0	65 ft.(19.8 m)
	1	55 ft.(16.8 m)
	2	47 ft.(14.3 m)
	3	36 ft.(11.0 m)
	4	28 ft.(8.5 m)
Use only for short run installations 	0	55 ft.(16.8 m)
	1	47 ft.(14.3 m)
	2	41 ft.(12.5 m)
	3	30 ft.(9.1 m)
	4	22 ft.(6.7 m)

NOTE

Deduct 6 ft. (1.8 m) for each additional elbow. Do not use more than four 90° elbows.

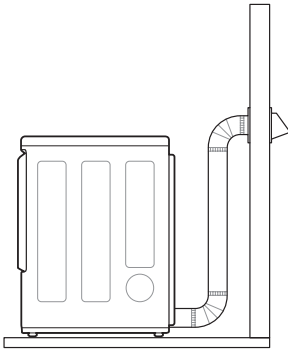
Routing And Connecting Ductwork

NOTE

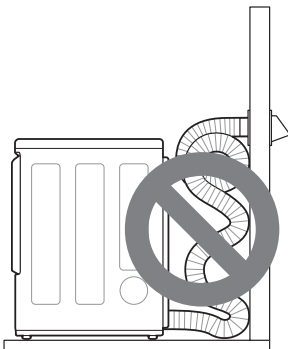
Follow the guidelines below to maximize drying performance and reduce lint buildup and condensation in the ductwork. Ductwork and fittings are NOT included and must be purchased separately.

- Use 4-inch (10.2 cm) diameter rigid, semi-rigid or flexible metal ductwork.
- The exhaust duct run should be as short as possible.
- Use as few elbow joints as possible.
- The male end of each section of exhaust duct must point away from the dryer.
- Use duct tape on all duct joints.
- Insulate ductwork that runs through unheated areas in order to reduce condensation and lint buildup on duct surfaces.
- Incorrect or inadequate exhaust systems are not covered by the dryer warranty. Dryer failures or service required because of such exhaust systems will not be covered by the dryer warranty.

Correct Venting



Incorrect Venting



Connecting Gas Dryers

WARNING

To reduce the risk of fire or explosion, electric shock, property damage, injury to persons, or death when using this appliance, follow basic safety precautions.

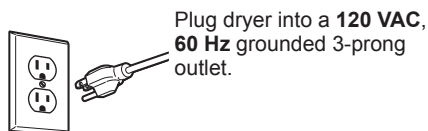
Gas Supply Requirements

- **As shipped from the factory, this dryer is configured for use with natural gas (NG). It can be converted for use with propane (LP) gas. Gas pressure must not exceed 8 inches (20.3 cm) of water column for NG, or 13 inches (33 cm) of water column for LP.**
- **A qualified service or gas company technician must connect the dryer to the gas service. Failure to follow these instructions may result in fire, explosion, or death.**
- **Isolate the dryer from the gas supply system by closing its individual manual shutoff valve during any pressure testing of the gas supply. Failure to do so may result in fire, explosion, or death.**
- **Supply line requirements: Your laundry room must have a rigid gas supply line to the dryer. In the United States, an individual manual shutoff valve MUST be installed within at least 6 ft. (1.8 m) of the dryer, in accordance with the National Fuel Gas Code ANSI Z223.1 or Canadian gas installation code CSA B149.1. A 1/8-inch (0.3 cm) NPT pipe plug must be installed. Failure to do so may result in fire, explosion, or death.**
- **If using a rigid pipe, the rigid pipe should be 1/2 inch IPS. If acceptable under local codes and ordinances and when acceptable to your gas supplier, 3/8-inch (1 cm) approved tubing may be used where lengths are less than 20 ft. (6.1 m). Larger tubing should be used for lengths in excess of 20 ft. (6.1 m). Failure to do so may result in fire, explosion, or death.**
- **Connect the dryer to the type of gas shown on the nameplate. Failure to do so may result in fire, explosion, or death.**
- **To prevent contamination of the gas valve, purge the gas supply of air and sediment before connecting the gas supply to the dryer. Before tightening the connection between the gas supply and the dryer, purge remaining air until the odor of gas is detected. Failure to do so may result in fire, explosion, or death.**

- **DO NOT use an open flame to inspect for gas leaks. Use a noncorrosive leak detection fluid.** Failure to do so may result in fire, explosion, or death.
- **Use only a new AGA- or CSA-certified gas supply line with flexible stainless steel connectors.** Failure to do so may result in fire, explosion, or death.
- **Securely tighten all gas connections.** Failure to do so may result in fire, explosion, or death.
- **Use Teflon tape or a pipe-joint compound that is insoluble in propane (LP) gas on all pipe threads.** Failure to do so may result in fire, explosion, or death.
- **DO NOT attempt any disassembly of the dryer; disassembly requires the attention and tools of an authorized and qualified service technician or company.** Failure to follow this warning may result in fire, explosion, or death.

Electrical Requirements for Gas Models Only

- **Do not, under any circumstances, cut or remove the third (ground) prong from the power cord.** Failure to follow this warning may result in fire, explosion, or death.
- **For personal safety, this dryer must be properly grounded.** Failure to follow this warning may result in fire, explosion, or death.
- **This dryer must be plugged into a 120-VAC, 60-Hz. grounded outlet protected by a 15-ampere fuse or circuit breaker.** Failure to follow this warning may result in fire, explosion, or death.
- **Where a standard 2-prong wall outlet is encountered, it is your personal responsibility and obligation to have it replaced with a properly grounded 3-prong wall outlet.** Failure to follow this warning may result in fire, explosion, or death.



Plug dryer into a **120 VAC, 60 Hz** grounded 3-prong outlet.

WARNING

ELECTRIC SHOCK HAZARD

Failure to follow safety warnings could result in serious injury or death.

This dryer is equipped with a three-prong grounding plug for protection against shock hazard and should be plugged directly into a properly grounded three-prong receptacle. Do not cut or remove the grounding prong from this plug.

Connecting the Gas Supply

- **Installation and service must be performed by a qualified installer, service agency, or the gas supplier.** Failure to do so may result in fire, explosion, or death.
- **Use only a new stainless steel flexible connector and a new AGA-certified connector.** Failure to do so may result in fire, explosion, or death.
- **A gas shutoff valve must be installed within 6 ft. (1.8 m) of the dryer.** Failure to do so may result in fire, explosion, or death.
- **The dryer is configured for natural gas when shipped from the factory. Make sure that the dryer is equipped with the correct burner nozzle for the type of gas being used (natural gas or propane gas).** Failure to do so may result in fire, explosion, or death.
- **If necessary, the correct nozzle (for the LP nozzle kit, order part number 383EEL3002D) should be installed by a qualified technician and the change should be noted on the dryer.** Failure to do so may result in fire, explosion, or death.
- **All connections must be in accordance with local codes and regulations.** Failure to do so may result in fire, explosion, or death.
- **Gas dryers MUST exhaust to the outdoors.** Failure to do so may result in fire, explosion, or death.

NOTE

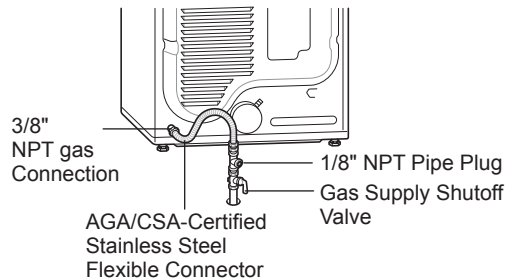
This dryer is configured from the factory for natural gas (NG). If the dryer is to be used with propane (LP) gas, it must be converted by a qualified service technician.

- 1** Make sure that the gas supply to the laundry room is turned OFF and the dryer is unplugged. Confirm that the type of gas available in your laundry room is appropriate for the dryer.
- 2** Remove the shipping cap from the gas fitting at the back of the dryer. Be careful not to damage the threads of the gas connector when removing the shipping cap.
- 3** Connect the dryer to your laundry room's gas supply using a new flexible stainless steel connector with a 3/8-inch NPT fitting.

NOTE

DO NOT use old connectors.

- 4** Securely tighten all connections between the dryer and your laundry room's gas supply.
- 5** Turn on your laundry room's gas supply.
- 6** Check all pipe connections (both internal and external) for gas leaks with a noncorrosive leak-detection fluid.
- 7** Proceed to Venting the Dryer.



High-Altitude Installations

The BTU rating of this dryer is AGA-certified for elevations below 10,000 feet.

If your gas dryer is being installed at an elevation above 10,000 feet, it must be derated by a qualified technician or gas supplier.

Connecting Electric Dryers

Electrical Requirements for Electric Models Only

WARNING

To help prevent fire, electric shock, serious injury, or death, the wiring and grounding must conform to the latest edition of the National Electrical Code, ANSI/NFPA 70 and all applicable local regulations. Please contact a qualified electrician to check your home's wiring and fuses to ensure that your home has adequate electrical power to operate the dryer.

- **This dryer must be connected to a grounded metal, permanent wiring system, or an equipment-grounding conductor must be run with the circuit conductors and connected to the equipment-grounding terminal or lead on the dryer.** Failure to do so may result in fire, explosion, or death.
- **The dryer has its own terminal block that must be connected to a separate 240 VAC, 60-Hertz, single-phase circuit, fused at 30 amperes (the circuit must be fused on both sides of the line). ELECTRICAL SERVICE FOR THE DRYER SHOULD BE OF THE MAXIMUM RATE VOLTAGE LISTED ON THE NAMEPLATE. DO NOT CONNECT THE DRYER TO 110-, 115-, OR 120-VOLT CIRCUIT.** Failure to follow these instructions may result in fire, explosion, or death.
- **If the branch circuit to dryer is 15 ft. (4.5 m) or less in length, use UL (Underwriters Laboratories) listed No. 10 AWG wire (copper wire only), or as required by local codes. If over 15 ft. (4.5 m), use UL-listed No. 8 AWG wire (copper wire only), or as required by local codes. Allow sufficient slack in wiring so the dryer can be moved from its normal location when necessary.** Failure to do so may result in fire, explosion, or death.
- **The power cord (pigtail) connection between the wall receptacle and the dryer terminal block IS NOT supplied with the dryer. Type of pigtail and gauge of wire must conform to local codes and with instructions on the following pages.** Failure to follow these instructions may result in fire, explosion, or death.
- **A 4-wire connection is required for all mobile and manufactured home installations, as well as all new construction after January 1, 1996. A 4-wire connection must be used where local codes do not permit grounding through the neutral wire.** Failure to do so may result in fire, explosion, or death.
- Do not modify the plug and internal wire provided with the dryer.
- The dryer should be connected to a 4-hole outlet.
- If the plug does not fit the outlet, a proper outlet will need to be installed by a qualified electrician.

Special Electrical Requirements for Mobile or Manufactured Homes

- Any installation in a manufactured or mobile home must comply with the Manufactured Home Construction and Safety Standards Title 24 CFR, Part 3280 or Standard CAN/CSA Z240 MH and local codes and ordinances. If you are uncertain whether your proposed installation will comply with these standards, please contact a service and installation professional for assistance.
- **A 4-wire connection is required for all mobile and manufactured home installations, as well as all new construction after January 1, 1996.** Failure to do so may result in fire, explosion, or death.
- A gas dryer must be permanently attached to the floor.
- The electrical connection for an electric dryer must be a 4-wire connection. More detailed information concerning the electrical connection is provided in the Connecting Electric Dryers section.
- To reduce the risk of combustion and fire, the dryer must be vented to the outside.
- DO NOT vent the dryer under a manufactured home or mobile home.
- Electric dryers may be vented to the outside using the back, left, right, or bottom panel.
- Gas dryers may be vented to the outside using the back, left, or bottom panel. Gas dryers may not be vented to the outside using the right side panel because of the burner housing.
- The dryer exhaust duct must be affixed securely to the manufactured or mobile home structure, and the exhaust duct must be made of a material that will resist fire and combustion. It is recommended that you use a rigid, semi-rigid or flexible metal duct.
- DO NOT connect the dryer exhaust duct to any other duct, vent, chimney, or other exhaust duct.
- Make sure the dryer has adequate access to outside fresh air to ensure proper operation. The opening for outside fresh air must be at least 25 sq. in (163 cm²).
- It is important that the clearance of the duct from any combustible construction be at least 2 inches (5 cm), and when venting the dryer to the outdoors, the dryer should be installed with a clearance of at least 1 inch (2.5 cm) at the sides and back of the dryer.
- Venting materials are not supplied with the dryer. You must obtain the venting materials necessary for proper installation.

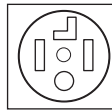
WARNING

Connect the power cord to the terminal block. Connect each wire in the power cord to the terminal block screw with the matching colored wire. The terminal block wire colors are indicated in the manual. Failure to follow these instructions may result in a short or overload.

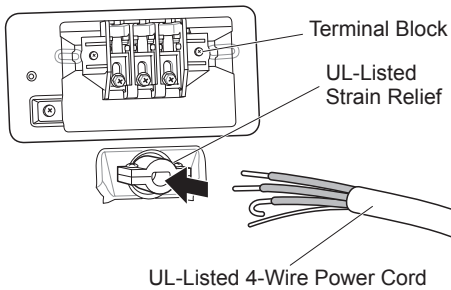
Grounding through the neutral conductor is prohibited for: (1) new branch-circuit installations, (2) mobile homes, (3) recreational vehicles, and (4) areas where local codes prohibit grounding through the neutral conductor.

Four-Wire Power Cord

- A 4-wire connection is required for all mobile and manufactured home installations, as well as all new construction after January 1, 1996.
- A UL-listed strain relief is required.
- Use a 30-amp, 240-volt, 4-wire, UL-listed power cord with #10 AWG-minimum copper conductor and closed loop or forked terminals with upturned ends.



- 1 Remove the terminal block access cover on the upper back of the dryer.
- 2 Install a UL-listed strain relief into the power cord through-hole.
- 3 Thread a 30-amp, 240-volt, 4-wire, UL-listed power cord with #10 AWG-minimum copper conductor through the strain relief.

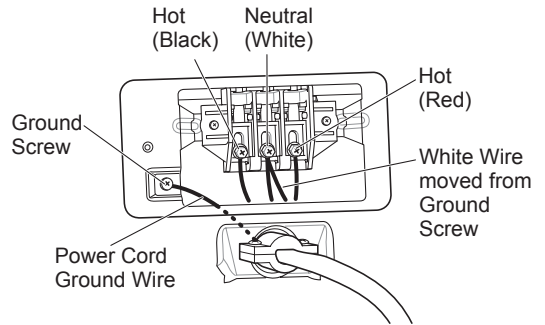


- 4 Transfer the dryer's ground wire from behind the green ground screw to the center screw of the terminal block.

NOTE

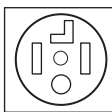
This dryer is supplied with the neutral wire grounded. This white ground wire **MUST BE MOVED** to the neutral terminal when a 4-wire cord is to be used, or where grounding through the neutral conductor is prohibited.

- 5 Attach the two hot leads of the power cord to the outer terminal block screws.
- 6 Attach the white neutral wire to the center screw of the terminal block.
- 7 Attach the power cord ground wire to the green ground screw.
- 8 Tighten all screws securely.
- 9 Reinstall the terminal block access cover.



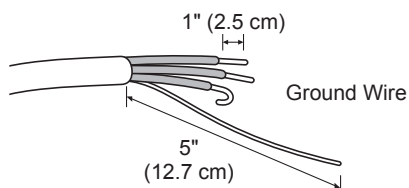
Four-Wire Direct Wire

- A 4-wire connection is required for all mobile and manufactured home installations, as well as all new construction after January 1, 1996.

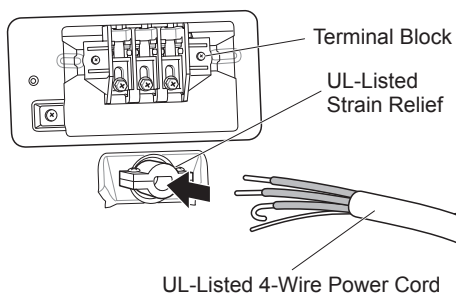


- A UL-listed strain relief is required.
- Use UL-listed 4-wire #10 AWG-minimum copper conductor cable. Allow at least 5 ft. (1.5 m) of wire to allow for removal and reinstallation of the dryer.

- 1 Remove 5 inches (12.7 cm) of the outer covering from the wire. Remove 5 inches (12.7 cm) of insulation from the ground wire. Cut off approximately 1½ inches (3.8 cm) from the other three wires and strip 1 inch (2.5 cm) of insulation from each wire. Bend the ends of the three shorter wires into a hook shape.



- 2 Remove the terminal block access cover on the upper back of the dryer.
- 3 Install a UL-listed strain relief into the power cord through-hole.
- 4 Thread the 4-wire #10 AWG-minimum copper power cable prepared in step 1 through the strain relief.

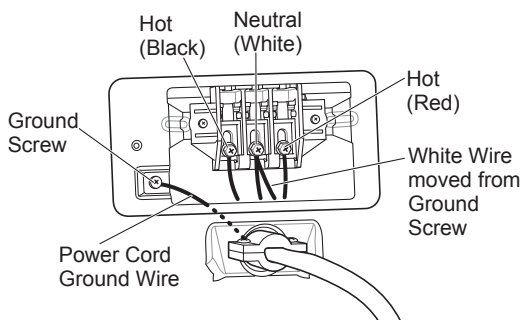


- 5 Transfer the dryer's ground wire from behind the green ground screw to the center screw of the terminal block.

NOTE

This dryer is supplied with the neutral wire grounded. This white ground wire **MUST BE MOVED** to the neutral terminal when a 4-wire cord is to be used, or where grounding through the neutral conductor is prohibited.

- 6 Attach the two hot leads of the power cord to the outer terminal block screws.
- 7 Attach the white neutral wire to the center screw of the terminal block.
- 8 Attach the power cord ground wire to the green ground screw.
- 9 Tighten all screws securely.
- 10 Reinstall the terminal block access cover.



WARNING

Connect the power cord to the terminal block. Connect each wire in the power cord to the terminal block screw with the matching colored wire. The terminal block wire colors are indicated in the manual. Failure to follow these instructions may result in a short or overload.

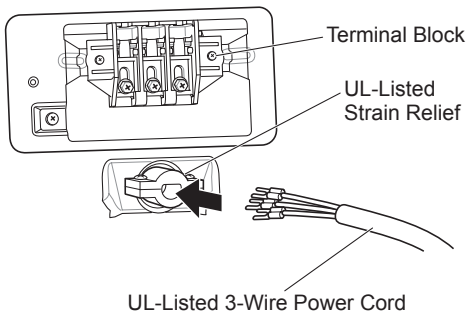
Grounding through the neutral conductor is prohibited for: (1) new branch-circuit installations, (2) mobile homes, (3) recreational vehicles, and (4) areas where local codes prohibit grounding through the neutral conductor.

Three-Wire Power Cord

- A 3-wire connection is NOT permitted on new construction after January 1, 1996.
- A UL-listed strain relief is required.
- Use a 30-amp, 240-volt, 3-wire, UL-listed power cord with #10 AWG-minimum copper conductor and closed loop or forked terminals with upturned ends.



- 1 Remove the terminal block access cover on the upper back of the dryer.
- 2 Install a UL-listed strain relief into the power cord through-hole.
- 3 Thread a 30-amp, 240-volt, 3-wire, UL-listed power cord with #10 AWG-minimum copper conductor through the strain relief.



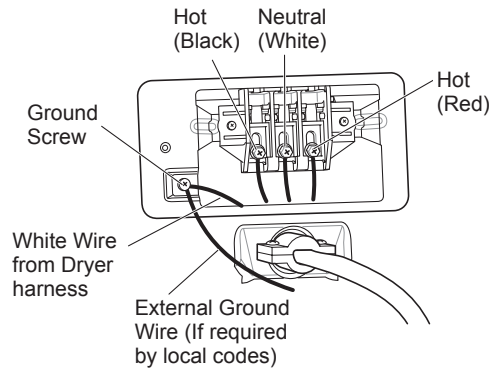
- 4 Attach the two hot leads (black and red) of the power cord to the outer terminal block screws.

- 5 Attach the neutral (white) wire to the center terminal block screw.

NOTE

The dryer is supplied with the neutral conductor grounded. If a 3-wire cord is to be used and is allowed, make sure the white neutral grounding wire is connected to the green ground screw.

- 6 Connect the external ground (if required by local codes) to the green ground screw.
- 7 Tighten all screws securely.
- 8 Reinstall the terminal block access cover.



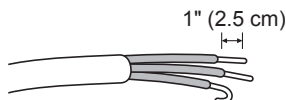
Three-Wire Direct Wire

- A 3-wire connection is NOT permitted on new construction after January 1, 1996.

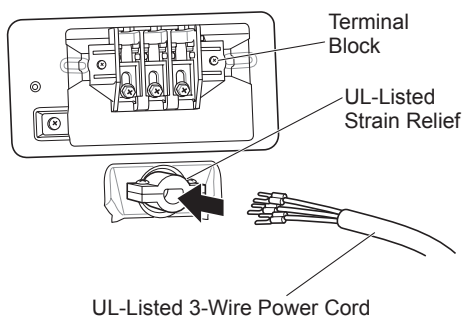


- A UL-listed strain relief is required.
- Use UL-listed 3-wire, #10 AWG-minimum copper conductor cable. Allow at least 5 ft. (1.5 m) length to allow for removal and installation of dryer.

- 1 Remove 3½-inch (8.9 cm) of the outer covering from the wire. Strip 1 inch (2.5 cm) insulation from each wire. Bend the ends of the three wires into a hook shape.



- 2 Remove the terminal block access cover on the upper back of the dryer.
- 3 Install a UL-listed strain relief into the power cord through-hole.
- 4 Thread the 3-wire, #10 AWG-minimum copper conductor power cable prepared in step 1 through the strain relief.



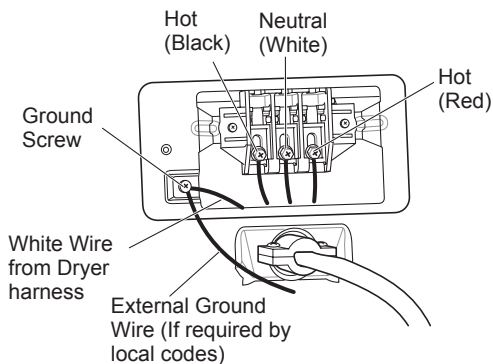
- 5 Attach the two hot leads (black and red) of the power cord to the outer terminal block screws.
- 6 Attach the neutral (white) wire to the center terminal block screw.

NOTE

The dryer is supplied with the neutral conductor grounded. If a 3-wire cord is to be used and is allowed, make sure the white neutral grounding wire is connected to the green ground screw.

- 7 Connect the external ground (if required by local codes) to the green ground screw.
- 8 Tighten all screws securely.

- 9 Reinstall the terminal block access cover.



Final Installation Check

Once you have completed the installation of the dryer and it is in its final location, confirm proper operation with the following tests and the Installation Test (Duct Check) on the following page.

Testing Dryer Heating

GAS MODELS

Close the dryer door, press the **POWER** button to turn the dryer on, and start the dryer on a heat setting. When the dryer starts, the igniter should ignite the main burner.

ELECTRIC MODELS

Close the dryer door, press the **POWER** button to turn the dryer on, and start the dryer on a heat setting. The exhaust air should be warm after the dryer has been operating for 3 minutes.

Checking Airflow

Effective dryer operation requires proper airflow. The adequacy of the airflow can be measured by evaluating the static pressure. Static pressure in the exhaust duct can be measured with a manometer, placed on the exhaust duct approximately 2 ft. (60.9 cm) from the dryer. Static pressure in the exhaust duct should not exceed 0.6-inch (1.5 cm). The dryer should be checked while the dryer is running with no load.

Checking Levelness

Once the dryer is in its final location, recheck the dryer to be sure it is level. Make sure it is level front to back and side to side, and that all four leveling feet are firmly on the floor.

Checking Venting

Vent ductwork should be checked for lint buildup and cleaned at least once per year. If any noticeable reduction in drying performance occurs, check duct for obstructions and blockages.

Installation Test (Duct Check)

Once you have completed the installation of the dryer, use this test to make sure the condition of the exhaust system is adequate for proper operation of the dryer. This test should be performed to alert you to any serious problems in the exhaust system of your home.

- This dryer features Flow Sense™, an innovative sensing system that automatically detects blockages and restrictions in dryer ductwork. Keeping ductwork clean of lint buildup and free of restrictions allows clothes to dry faster and reduces energy use.

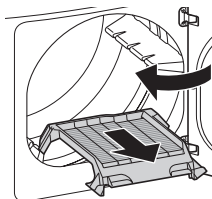
NOTE

The dryer should be cool before starting this test. If the dryer was warmed up during installation, run the AIR DRY cycle for a few minutes to reduce the interior temperature.

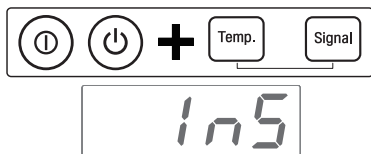
To activate the installation test:

- 1 Remove the drying rack and literature, and then close the door.**

Do not load anything in the drum for this test, as in may affect the accuracy of the results.



- 2 Press and hold the POWER, Temp., and Signal buttons until **1n5** and a usage count alternate in the display.** (The usage count indicates the number of cycles run with no load during the last 5 cycles.)



- 3 Press the START/PAUSE button.**

The dryer will start the test, which will last about 2 minutes. The heat will be turned on and the temperatures in the drum will be measured and displayed. A chime sounds when the test portion of the cycle is complete.



- 4 Check the display for results.**

During the test cycle, monitor the Flow Sense™ display on the control panel. If no bars are displayed, when the cycle ends, the exhaust system is adequate. If the exhaust system is severely restricted, the display will show four bars. Other problems may also be shown with error codes. See the chart below for error code details and solutions.



Flow Sense

NO BARS:
OK



Flow Sense

FOUR BARS:
RESTRICTED

Four bars indicates that the exhaust system is severely restricted. Have the system checked immediately, as performance will be poor.

- 5 End of cycle.**

At the end of the test cycle, **End** will display.

The test cycle will end and the dryer will shut off automatically after a short delay.



- **Check the error code before you call for service**

Error Code	Possible Causes	Solutions
tE1 or tE2	<ul style="list-style-type: none"> • Temperature sensor failure. 	<ul style="list-style-type: none"> • Turn off the dryer and call for service.
HS	<ul style="list-style-type: none"> • Humidity sensor failure. 	<ul style="list-style-type: none"> • Turn off the dryer and call for service.
PS or PF or nP	<ul style="list-style-type: none"> • Electric dryer power cord is not connected correctly, or house power supply is incorrect. • House fuse is blown, circuit breaker has tripped, or power outage has occurred. 	<ul style="list-style-type: none"> • Check the power supply or the connection of the power cord to the terminal block. Refer to the Connecting Electric Dryers section of this manual for complete instructions. • Reset circuit breaker or replace fuse. Do not increase the fuse capacity. If the problem is a circuit overload, have it corrected by a qualified electrician.
gAS	<ul style="list-style-type: none"> • Gas supply or service turned off. (Gas Model only.) 	<ul style="list-style-type: none"> • Confirm that house gas shutoff and the dryer gas shutoff are both fully open.

- **Check the duct condition**

If the Flow Sense™ LED is turned on, check the exhaust system for restrictions and damage. Repair or replace the exhaust system as needed.

NOTE

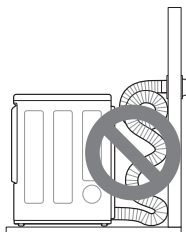
When the dryer is first installed, this test should be performed to alert you to any existing problems with the exhaust duct in your home. However, since the test performed during normal operation provides more accurate information on the condition of the exhaust duct than does the installation test, the number of bars displayed during the two tests may not be the same.

Do not interrupt the test cycle, as this could result in inaccurate results.

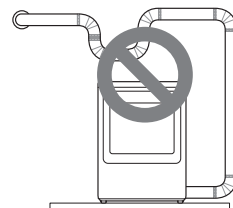
Even if no bars are displayed during the test cycle, some restrictions may still be present in the exhaust system. Refer to the **Venting the Dryer** section of this manual for complete exhaust system and venting requirements.

Restricted or Blocked Airflow

Avoid long runs or runs with multiple elbows or bends.

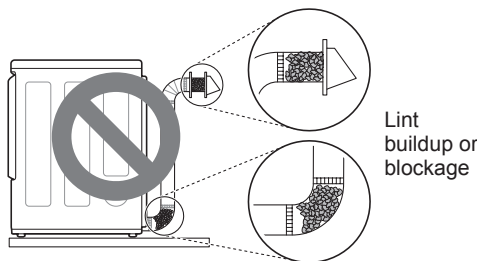


Excess or crushed transition duct



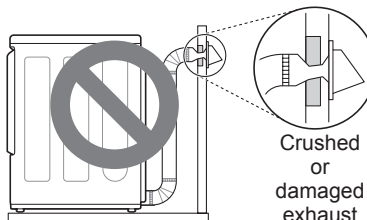
Too many elbows or exhaust too long

Check for blockages and lint buildup.



Lint buildup or blockage

Make sure the ductwork is not crushed or restricted.



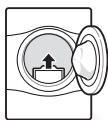
Crushed or damaged exhaust

OPERATION

⚠ WARNING

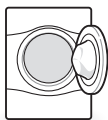
To reduce the risk of fire, electric shock, or injury to persons, read this entire manual, including the **IMPORTANT SAFETY INSTRUCTIONS**, before operating this dryer.

Using the Dryer



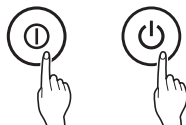
1 Clean the Lint Filter

If the lint filter has not already been cleaned, lift out the filter and remove the lint from the last load. This will help ensure the fastest and most efficient drying performance. Make sure to reinstall the filter, pressing down until it clicks firmly into place. The dryer will not operate without the lint filter in place.



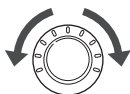
2 Load the Dryer

Load the dryer with the wet laundry from the washer. If the load is extra large, you may need to divide it into smaller loads for proper performance and fabric care.



3 Turn on The Dryer

Press the **POWER** button to turn ON the dryer. The cycle LEDs will illuminate and a chime will sound.



4 Select a Cycle

Turn the cycle selector knob in either direction until the LED for the desired cycle is on. The preset temperature, dry level, and option settings for that cycle will be shown. Refer to page 40. Default settings for the selected cycle can now be changed if desired. This can be done using the cycle modifier buttons as shown on page 38. Cycle options can be added using the option buttons as shown on page 42-43.

NOTE

Not all options or modifiers are available on all cycles. A different chime will sound and the LED will not come on if the selection is not allowed.



5 Begin the Cycle

Press the **START/PAUSE** button to begin the cycle. The cycle can be paused at any time either by opening the door or by pressing the **START/PAUSE** button. If the cycle is not restarted within 60 minutes of being paused, the dryer will shut off and the settings will be lost.



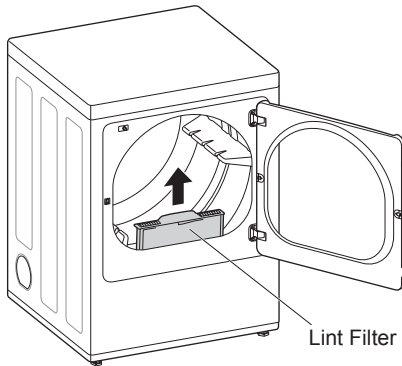
6 End of Cycle

When the cycle is finished, the chime will sound. Immediately remove your clothing from the dryer to reduce wrinkling. If **Wrinkle Care** is selected, the dryer will tumble briefly every few minutes to help prevent wrinkles from setting in the clothes.

Check the Lint Filter Before Every Load

Always make sure the lint filter is clean before starting a new load; a clogged lint filter will increase drying time. To clean, pull the lint filter straight up and roll any lint off the filter with your fingers. Do not rinse or wash the filter to remove lint. Push the lint filter firmly back into place. See **Regular Cleaning** for more information.

Always ensure the lint filter is properly installed before running the dryer. Running the dryer with a loose or missing lint filter will damage the dryer and articles in the dryer.









Sorting Loads

Fabric Care Labels





Most articles of clothing feature fabric care labels that include instructions for proper care.

Fabric Care Labels

Tumble dry

		
Dry	Normal	Permanent Press/ wrinkle resistant
		
Gentle/ delicate	Do not tumble dry	Do not dry (used with do not wash)

Heat setting

			
High	Medium	Low	No heat/air

Group Similar Items

For best results, sort clothes into loads that can be dried with the same drying cycle.

Different fabrics have different care requirements, and some fabrics will dry more quickly than others. For best fabric care results, always dry fabrics with similar care requirements together.

Loading the Dryer

WARNING

To reduce the risk of fire, electric shock, or injury to persons when using this appliance, follow basic precautions, including the following:

- Check all pockets to make sure that they are empty. Items such as clips, pens, coins, and keys can damage both your dryer and your clothes. Flammable objects such as lighters or matches could ignite, causing a fire. Failure to do so may result in fire, explosion, or death.
- Never dry clothes that have been exposed to oil, gasoline, or other flammable substances. Washing clothes will not completely remove oil residues. Failure to obey this warning may result in fire, explosion, or death.

NOTE

Loading Tips

- Combine large and small items in the same load.
- Damp clothes will expand as they dry. Do not overload the dryer; clothes require room to tumble and dry properly.
- Close zippers, hooks, and drawstrings to prevent these items from snagging or tangling on other clothes.

Using the LG EasyLoad™

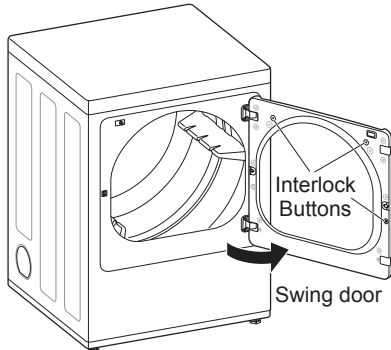
Swing Door

Use the swing door when unloading, or when loading bulkier items, for easy access to the drum.

To open the swing door, grasp the top of the door on the side opposite the hinge and pull.

NOTE

Make sure the hamper door release is completely closed before using the swing door.



⚠ WARNING

Do not press the three interlock buttons when the door is open. The door may fall off and cause serious injury.

- **Do not place heavy items on or lean against the top of the door when it is open.**

The dryer could tip forward, causing injury or property damage.

Hamper Door (on some models)

Use the hamper door when loading. The hamper door opens about 40 degrees and acts as a chute to help guide items into the drum and help prevent items from falling onto the floor. It also comes in handy when unloading a few small items, helping prevent the rest of the laundry from being pulled onto the floor.

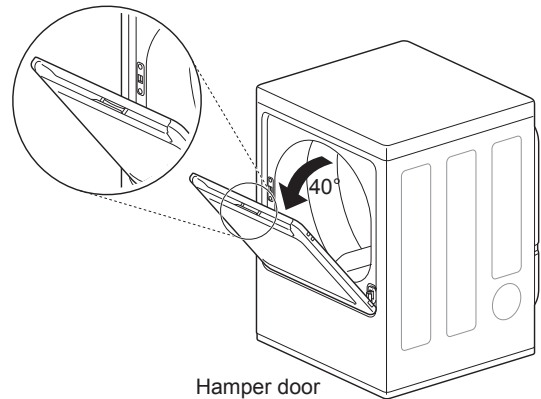
To open the hamper door, press the release on the top of the door and pull the door forward.

Make sure laundry is fully inserted in the drum before closing the door.

NOTE

Make sure the swing door latch is completely closed before pressing the hamper door release.

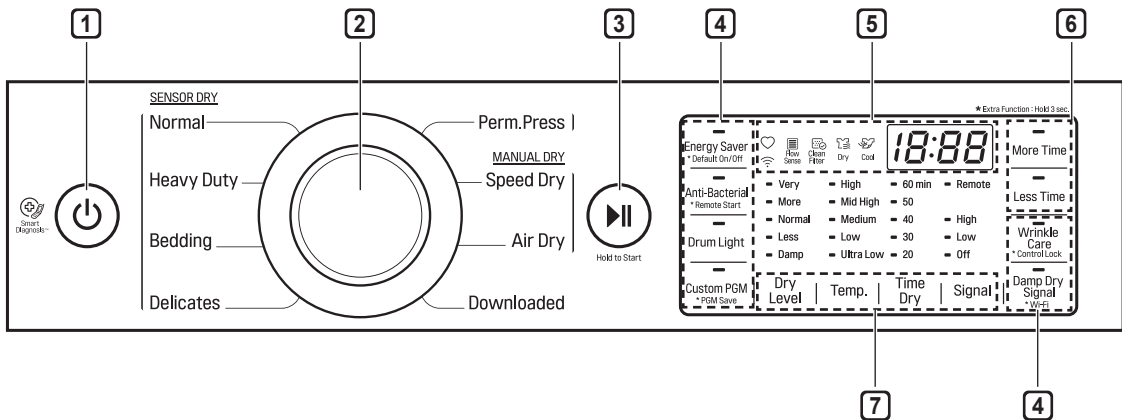
Hamper door release



⚠ WARNING

- Do not attempt to pull the hamper door open more than 40 degrees.
- Be careful when opening and closing the door. Fingers and hands can get caught in the door and cause injury if the door drops forward unexpectedly.

Control Panel



1 POWER Button

Press to turn the dryer ON. Press again to turn the dryer OFF.

NOTE

Pressing the **POWER** button during a cycle will cancel that cycle and any load settings will be lost.

2 Cycle Selector Knob

Turn this knob to select the desired cycle. Once the desired cycle has been selected, the standard presets are shown in the display. On Manual Dry cycles, these settings can be adjusted using the cycle modifier buttons any time before starting the cycle.

3 START/PAUSE Button

Press this button to start the selected cycle. If the dryer is running, use this button to pause the cycle without losing the current settings.

NOTE

If you do not press the **START/PAUSE** button to resume a cycle within 60 minutes, the dryer turns off automatically.

4 Cycle Option Buttons

The option buttons allow you to select additional cycle options. Certain buttons also allow you to activate special functions by pressing and holding the button for 3 seconds.

5 Time and Status Display

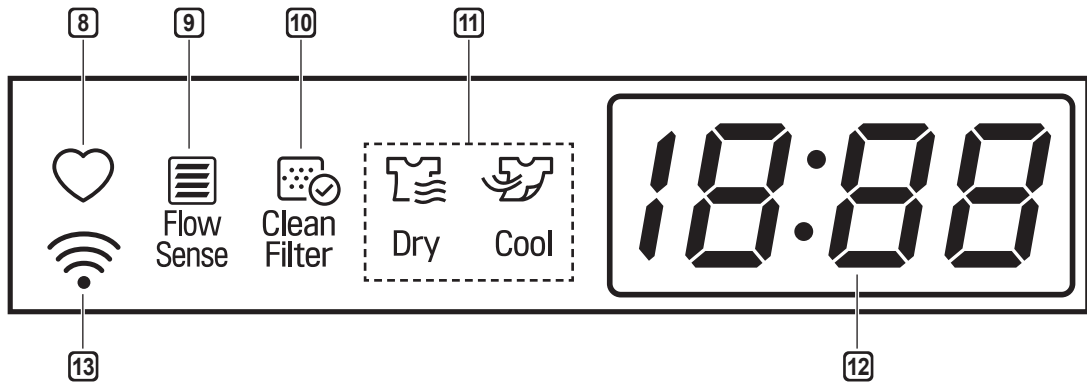
The display shows the settings, estimated time remaining, options, and status messages for the dryer.

6 MORE TIME/LESS TIME Buttons

Use these buttons with the Time Dry and other Manual Dry cycles to adjust the drying time. Press the **MORE TIME** button to increase the selected manual cycle time by 1 minute; press the **LESS TIME** button to decrease the cycle time by 1 minute.

7 Cycle Modifier Buttons

Use these buttons to select the desired cycle settings for the selected cycle. The current settings are shown in the display. Press the button for that modifier to select other settings.



8 Custom PGM

If you have a special combination of settings that you use frequently, you can save these settings as a Custom Program.

9 Flow Sense™ Duct Blockage Sensing System Indicator

The Flow Sense™ duct blockage sensing system detects and alerts you to blockages in the ductwork that reduce exhaust flow from the dryer. Maintaining a clean exhaust system improves operating efficiency and helps minimize service calls, saving you money.

10 Clean Filter Reminder

The display will show Clean Filter when the dryer is turned on as a reminder to check the filter. It turns off when the **START/PAUSE** button is pressed.

11 Cycle Completion Indicator with Check Filter Reminder

This portion of the display shows which stage of the drying cycle is currently underway (Dry, Cool).

12 Estimated Time Remaining

This display shows the estimated time remaining for SENSOR DRY cycles or the actual time remaining for Time Dry or MANUAL DRY cycles.

NOTE

The cycle time on SENSOR DRY cycles may fluctuate as the dryer recalculates drying time for optimal results.

13 Wi-Fi Indicator

When the appliance is connected to the internet through a home Wi-Fi network, this indicator appears.

Cycle Guide

= default setting
 = allowable option

Cycle	Fabric Type	Dry Level	Temp.	Time	More Time/ Less Time	Anti-bac- terial	Wrinkle Care	Damp Dry Signal	Energy Saver
Bedding	Comforters, pillows, shirts	Normal Dry	Medium	55					
		Adjustable							
Heavy Duty	Jeans, heavyweight items	Normal Dry	High	54		<input type="radio"/>	<input type="radio"/>	<input type="radio"/>	
		Adjustable							
Normal	Work clothes, corduroys, etc.	Normal Dry	Medium	Elec : 57 Gas : 63		<input type="radio"/>	<input type="radio"/>	<input type="radio"/>	<input checked="" type="radio"/>
		Adjustable							
Perm. Press	Permanent press, synthetic items	Normal Dry	Low	32			<input type="radio"/>	<input type="radio"/>	
		Adjustable							
Delicates	Lingerie, sheets, blouses	Normal Dry	Low	28			<input type="radio"/>	<input type="radio"/>	
		Adjustable							
Speed Dry	For small loads with short drying times	Auto	High	25	<input type="radio"/>		<input type="radio"/>		
			Adjustable	Adjustable					
Air Dry	For items that require heat- free drying such as plastics or rubber	Off	No Heat	30	<input type="radio"/>		<input type="radio"/>		
				Adjustable					

Sensor dry cycles

Sensor dry cycles utilize LG's unique dual sensor system to detect and compare the moisture level in clothes and in the air and adjust the drying time as needed to ensure superior results. The dryer automatically sets the dryness level and temperature at the recommended setting for each cycle. The estimated time remaining will be shown in the display.

NOTE

To protect your garments not every dryness level, temperature, or option is available with every cycle. See the **Cycle Guide** for details.

Downloaded

If you download a cycle using the Smart ThinQ application, it will be placed in the downloaded cycle position. Choose the Downloaded cycle to run the downloaded cycle.

Manual dry cycles

Use manual dry cycles to select a specific amount of drying time and a drying temperature. When a manual dry cycle is selected, the Estimated Time Remaining display shows the actual time remaining in your cycle. You can change the actual time in the cycle by pressing More Time or Less Time.



CERTIFIED BY NSF/P154

NSF International (formerly the National Sanitation Foundation), certifies that the Anti Bacterial cycle reduces 99.9% of bacteria on laundry, and none of the bacteria will carry over onto the next laundry load.

- The default settings for the **Anti Bacterial** cycle are **High** temperature and **Very Dry**. These default settings cannot be changed.
- Do NOT use this cycle with delicate items or fabrics.

Cycle Settings and Options

Cycle Modifier Buttons

SENSOR DRY cycles have preset settings that are selected automatically. MANUAL DRY cycles have default settings, but you may also customize the settings using the cycle modifier buttons. Press the button for that option to view and select other settings.

Dry Level

Selects the level of dryness for the cycle. Press the **Dry Level** button repeatedly to scroll through available settings.

- This option is only available with SENSOR DRY cycles.
- The dryer will automatically adjust the cycle time. Selecting More Dry or Very Dry will increase the cycle time, while Less Dry or Damp Dry will decrease the cycle time.
- Use a Less Dry or Damp Dry setting for items that you wish to iron.

Temp.

Adjusts the temperature setting. This allows precise care of your fabrics and garments. Press the **Temp.** button repeatedly to scroll through available settings.

Time Dry

Allows you to manually select the drying time, from 20 to 60 minutes, in 10-minute increments. Use this for small loads or to remove wrinkles.

More Time/Less Time

Use the **More Time/Less Time** buttons to add or reduce the drying time of a MANUAL DRY cycle in 1-minute increments.

Signal (Option)

Press the **Signal (Option)** button repeatedly to change the volume or turn on/off the button tones and the end of cycle melody.

Cycle Option Buttons

The dryer features several additional cycle options to customize cycles to meet individual needs. Certain option buttons also feature a special function that can be activated by pressing and holding that option button for 3 seconds. (See Special Functions on the following page for details.)

Adding Cycle Options to a Cycle:

- 1 Turn on the dryer and turn the cycle selector knob to select the desired cycle.
- 2 Use the cycle modifier buttons to adjust the settings for that cycle.
- 3 Press the cycle option button(s) for the option you would like to add. A confirmation message is shown in the display.
- 4 Press the **START/PAUSE** button to start the cycle. The dryer starts automatically.

Wrinkle Care

Selecting this option will tumble the load periodically for up to 3 hours after the selected cycle, or until the door is opened. This is helpful in preventing wrinkles when you are unable to remove items from the dryer immediately.

Damp Dry Signal

With this option, the dryer will signal when the load is approximately 80% dry. This allows you to remove faster-drying lightweight items or items that you would like to iron or hang while still slightly damp.

Special Functions

Some cycle option buttons also activate secondary functions. These special functions are marked with an asterisk (*). Press and hold the option button marked with the special function to activate it.

Drum Light

The drum is equipped with a blue LED that illuminates when the dryer is turned on. This light automatically turns off when the door is closed and the cycle starts. To turn on the light during a cycle, press the Drum Light button. The drum light will illuminate and then turn off automatically after four minutes.

* Control Lock

Use this option to prevent unwanted use of the dryer or to keep cycle settings from being changed while the dryer is operating.

Press and hold the button marked **Control Lock** for 3 seconds to activate or deactivate the Control Lock function. The Control Lock icon will be shown in the display, and all controls will be disabled except the **POWER** button.

NOTE

Once set, Control Lock remains active until it is manually deactivated. Control Lock must be turned off to run another cycle. To deactivate Control Lock, press and hold the **Control Lock** button for 3 seconds.

Energy Saver (on some models)

This option helps to reduce energy consumption in the Normal cycle, depending on the load size. When the Energy Saver option is selected, the cycle begins with an air dry section and the drying time is increased.

NOTE

The Energy Saver option is turned on by default in the Normal cycle. Turn off the Energy Saver option for a faster Normal cycle which begins with heated drying.

* Default On/Off

This option allows the Energy Saver settings to be changed. To run a Normal cycle without the Energy Saver option, press and hold the Energy Saver button for three seconds. ON or OFF appears in the display.

Custom PGM

If you have a special combination of settings that you use frequently, you can save these settings as a custom program.

Saving a Custom Program:

- 1 Turn on the dryer and turn the cycle selector knob to select the desired cycle.
- 2 Use the cycle setting buttons to adjust the settings for that cycle.
- 3 Press the cycle option button(s) for the option you would like to add. A confirmation message will be shown in the display.
- 4 Press and hold the **Custom PGM** button for 3 seconds.

NOTE

You may save only one custom program at a time. Pressing and holding the **Custom PGM** button will overwrite any previously saved custom program.

Recalling a Custom Program:

- 1 Turn on the dryer.
- 2 Press the **Custom PGM** button.
- 3 Press the **START/PAUSE** button to start the cycle.

SMART FUNCTIONS

Application Installation

Search for the LG Smart ThinQ application from the Google Play Store on a smart phone. Follow instructions to download and install the application.

Product Registration

- 1 Run the LG Smart ThinQ application on a smart phone.
- 2 Create an account and sign in.
- 3 Select **Register**.
- 4 Select **Top Load Dryer**.
- 5 Follow the instructions on the smart phone to register the appliance and connect it to a Wi-Fi network.
 - To verify the Wi-Fi connection, check the Wi-Fi icon(📶) on the control panel is lit.

NOTE

- LG Smart ThinQ is not responsible for any network connection problems or any faults, malfunctions, or errors caused by network connection.
- The machine supports 2.4 GHz Wi-Fi networks only.
- If the appliance is having trouble connecting to the Wi-Fi network, it may be too far from the router. Purchase a Wi-Fi repeater (range extender) to improve the Wi-Fi signal strength.
- The Wi-Fi connection may not connect or may be interrupted because of the home network environment.
- The network connection may not work properly depending on the internet service provider.
- The surrounding wireless environment can make the wireless network service run slowly.
- This information is current at the time of publication.
- The application is subject to change for appliance improvement purposes without notice to users.

Using the Wi-Fi Function

Communicate with the appliance from a smart phone using the convenient smart features.

Using the Wi-Fi Function

- 1 Select the appliance in the application.
- 2 Select the menu on the upper right side to access settings and features.

Dryer Cycle (Remote Start + Download Cycle)

Remote Start

Use a smart phone to control the appliance remotely. Or monitor the cycle operation to see the remaining time left in the cycle.

NOTE

- You must first register the appliance and connect to a gateway in order to use the Remote Start function.

Using Remote Start

- 1 Press and hold the REMOTE START button. The Remote LED on the control panel is illuminated.
- 2 Start a cycle from the application on a smart phone. If the cycle is not started, the machine will wait to start the cycle until it is turned off or the Remote Start mode is disabled.

Download Cycle

Download new and specialized cycles that are not included in the standard cycles on the appliance. Appliances that have been successfully registered can download a variety of specialty cycles specific to the appliance. Only one cycle can be stored on the appliance at a time. Once Download Cycle is completed in the dryer, the product keeps the downloaded cycle until a new cycle is downloaded.

NOTE

- You must first register the appliance and connect to a gateway in order to use the Download Cycle function.

Push Alerts (Smart Message)

When the cycle is complete or the appliance has problems, you have the option of receiving push notifications on a smart phone.

NOTE

- You must first register the appliance and connect to a gateway in order to use the Push Alerts function.

Smart Diagnosis™

This function provides useful information for diagnosing and solving issues with the appliance based on the pattern of use.

NOTE

- You must first register the appliance and connect to a gateway in order to use the Smart Diagnosis function.

Energy Monitoring

The dryer's energy usage is affected by the cycle and options so you may see some changes in energy usage from one cycle to another.

NOTE

- You must first register the appliance and connect to a gateway in order to use the Energy Monitoring function.

MAINTENANCE

Regular Cleaning

⚠ WARNING

To reduce the risk of fire, electric shock, or injury to persons when using this appliance, follow basic precautions, including the following:

- **Unplug the dryer before cleaning to avoid the risk of electric shock.** Failure to follow this warning may cause **serious injury, fire, electric shock, or death.**
- **Never use harsh chemicals, abrasive cleaners, or solvents to clean the washer.** They will damage the finish.

Cleaning the Exterior

Proper care of your dryer can extend its life. The outside of the machine can be cleaned with warm water and a mild, nonabrasive household detergent. Immediately wipe off any spills with a soft, damp cloth.

NOTE

- Do not use methylated spirits, solvents, or similar products.
- Never use steel wool or abrasive cleansers; they can damage the surface.

Cleaning the Interior

Wipe around the door opening and seal with a soft, damp cloth to prevent lint and dust buildup that could damage the door seal.

Clean the window with a soft cloth dampened with warm water and a mild, nonabrasive household detergent, then wipe dry.

The stainless steel drum can be cleaned with a conventional stainless steel cleaner, used according to the manufacturer's specifications. Never use steel wool or abrasive cleansers; they may scratch or damage the surface.

Cleaning Around and Under the Dryer

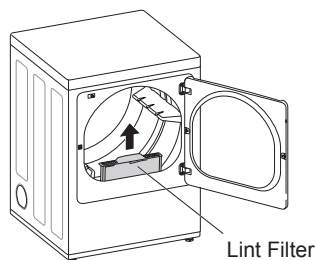
Vacuum lint and dust from around the dryer and underneath it regularly. Vent ductwork should be checked for lint buildup and cleaned at least once per year. If any noticeable reduction in airflow or drying performance occurs, immediately check ductwork for obstructions and blockages.

Maintaining Ductwork

Vent ductwork should be checked for lint buildup once per month and cleaned at least once per year. If any noticeable reduction in airflow or drying performance occurs, immediately check ductwork for obstructions and blockages. Contact a qualified technician or service provider.

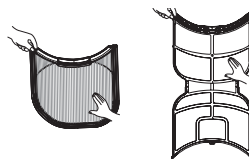
Cleaning the Lint Filter

Always clean the lint from the filter after every cycle.

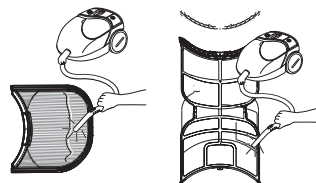


To clean, open the dryer door and pull the lint filter straight up. Then:

- 1 For everyday cleaning, roll any lint off the filter with your fingers, or



- 2 Vacuum the lint filter.



- 3 If the lint filter has become very dirty or clogged with fabric softener, wash the lint filter in warm, soapy water and allow it to dry thoroughly before reinstalling.



NOTE

NEVER operate the dryer without the lint filter in place. **NEVER** operate the dryer with a wet lint filter.

TROUBLESHOOTING

FAQs: Frequently Asked Questions

Q: When I press a button, why does my dryer beep and then nothing happens?

A: The Control Lock feature is turned on. To turn off Control Lock, turn the dryer on, then press and hold the button that has *Control Lock on or under it for 3 seconds.

Q: Why does my dryer take so long to dry clothes?

A: Proper airflow is critical to the efficient operation of clothes dryers. A lint filter which is full of lint or clogged with fabric softener sheet residue can reduce the airflow to the point that the time required to dry clothing will be greatly increased. Another factor affecting dry time is your home exhaust system. An exhaust system which is dirty and clogged with lint, or is excessively long, needs to be professionally cleaned or repaired.

Q: Why does my dryer start by itself every few minutes?

A: This is how the Wrinkle Care feature works. The dryer runs briefly every few minutes for up to 3 hours after the cycle finishes. This feature is designed to help prevent wrinkles from setting in when the dryer is not unloaded immediately after the cycle is finished.

User Support Videos

For further assistance, there are videos and tutorials available through the LG.com website.



- 1 On the lg.com/us home page, click on the Support menu tab to bring up the menu selections. Select **Video Tutorials**.
- 2 Select Appliances and Dryers in the search menu on the new page.

Scan this QR code to quickly access the video search page on the LG website. Once there, select Appliances and Dryers in the search box.

Before Calling for Service

This dryer is equipped with an automatic error-monitoring system to detect and diagnose problems at an early stage. If the dryer does not function properly or does not function at all, check the following before you call for service.

Operation

Problem	Possible Cause	Solutions
The Flow Sense™ indicator remains active after clearing the restriction in the venting.	After clearing the restriction, the Flow Sense™ system requires multiple, consecutive cycles to determine that the performance value has improved before the Flow Sense™ indicator is reset.	If the Flow Sense™ indicator remains active for more than five cycles after the restriction has been cleared, call for service.
Dryer will not turn on	Power cord is not properly plugged in.	Make sure that the plug is securely plugged into a grounded outlet matching the dryer's rating plate.
	House fuse is blown, circuit breaker has tripped, or power outage has occurred.	Reset circuit breaker or replace fuse. Do not increase fuse capacity. If the problem is a circuit overload, have it corrected by a qualified electrician.
Dryer does not heat	House fuse is blown, circuit breaker has tripped, or power outage has occurred.	Reset circuit breaker or replace fuse. Do not increase fuse capacity. If the problem is a circuit overload, have it corrected by a qualified electrician. NOTE Due to the design of electric dryers, it is possible for a circuit problem to allow an electric dryer to run without heat.
	Gas supply or service is turned off (gas models only).	Confirm that the house gas shutoff and the dryer gas shutoff valves are both fully open. Even if gas is not supplied to the dryer, it will run and display error code. Verify that other gas appliances in the home are working normally.
	Energy Saver option selected (on some models)	If using the Cotton/Normal cycle, deselect the energy saver option. The Energy Saver option is selected by default. This option reduces energy use by adding an air dry section to the beginning of the cycle. It is normal to feel no heat at the beginning of the cycle while in Energy Saver mode.
Display show error code nP	Electric dryer power cord is not connected correctly, or house power supply is incorrect.	Check the power supply or the connection of the power cord to the terminal block.
Display show error code gAS	Gas supply or service turned off (gas models only).	Confirm that house gas shutoff and the dryer gas shutoff are both fully open.

Problem	Possible Cause	Solutions
Clothes take too long to dry	Exhaust ducts are blocked, dirty, or duct run is too long.	Confirm that the exhaust duct is properly configured and free of debris, lint, and obstructions. Make sure that outside wall dampers can open properly and are not blocked, jammed, or damaged.
	Load is not properly sorted.	Separate heavy items from lightweight items. Larger and heavier items take longer to dry. Light items in a load with heavy items can fool the sensor because the light items dry faster.
Clothes take too long to dry	Large load of heavy fabrics.	Heavy fabrics take longer to dry because they tend to retain more moisture. To help reduce and maintain more consistent drying times for large and heavy fabrics, separate these items into smaller loads of a consistent size.
	Dryer controls are not set properly.	Use the appropriate control settings for the type of load you are drying. Some loads may require an adjustment of the dry level setting for proper drying.
	Lint filter needs to be cleaned.	Remove the lint from the filter before every load. With the lint removed, hold the filter up to a light to see if it is dirty or clogged. With some loads that produce high amounts of lint, such as new bath towels, it may be necessary to pause the cycle and clean the filter during the cycle.
	House fuse is blown, circuit breaker has tripped, or power outage has occurred.	Reset circuit breaker or replace fuse. Do not increase fuse capacity. If the problem is a circuit overload, have it corrected by a qualified electrician. NOTE Due to the design of electric dryers, it is possible for a circuit problem to allow an electric dryer to run without heat.
	Dryer is overloaded.	Divide extra large loads into smaller loads for better drying performance and efficiency.
Dryer is underloaded.	If you are drying a very small load, add a few extra items to ensure proper tumbling action. If the load is very small and you are using SENSOR DRY cycles, the electronic control cannot properly sense the dryness of the load and may shut off too soon. Use TIME DRY or add some extra wet clothes to the load.	


Problem	Possible Cause	Solutions
Clothes take too long to dry	Energy Saver option selected (on some models)	If using the Cotton/Normal cycle, deselect the Energy Saver option. This option reduces energy use by adding an air dry section to the beginning of the cycle.
Drying time is not consistent	Heat settings, load size, or dampness of clothing is not consistent.	The drying time for a load will vary depending on the type of heat used (electric, natural gas, or LP gas), the size of the load, the type of fabrics, the wetness of the clothes, and the condition of the exhaust duct and lint filter. Even an unbalanced load in the washer can cause poor spinning, resulting in wetter clothes which will take longer to dry.


Performance

Problem	Possible Cause	Solutions
Greasy or dirty spots on clothes	Fabric softener used incorrectly.	Confirm and follow the instructions provided with your fabric softener.
	Clean and dirty clothes are being dried together.	Use your dryer to dry only clean items. Soil from dirty clothes can transfer to the clean clothes in the same or later loads.
	Clothes were not properly cleaned or rinsed before being placed in the dryer.	Stains on dried clothes could be stains that were not removed during the washing process. Make sure that clothes are being completely cleaned or rinsed according to the instructions for your washer and detergent. Some difficult soils may require pre-treating prior to washing.
Clothes are wrinkled	Clothes dried too long (over dried).	Over drying a load of laundry can lead to wrinkled clothes. Try a shorter drying time or LESS DRY setting and remove items while they still retain a slight amount of moisture.
	Clothes left in dryer too long after cycle ends.	Use the WRINKLE CARE option. This feature will tumble the clothes briefly every few minutes for up to 3 hours to help prevent wrinkling.
Clothes are shrinking	Garment care instructions are not being followed.	To avoid shrinking your clothes, always consult and follow fabric care instructions. Some fabrics will naturally shrink when washed. Other fabrics can be washed but will shrink when dried in a dryer. Use a low or no heat setting.
Lint on clothes	Lint filter not cleaned properly.	Remove the lint from the filter before every load. With the lint removed, hold the filter up to a light to see if it is dirty or clogged. If it looks dirty, follow the cleaning instructions. With some loads that produce high amounts of lint, it may be necessary to clean the filter during the cycle.
	Laundry not sorted properly.	Some fabrics are lint producers (i.e., a fuzzy white cotton towel) and should be dried separately from clothes that are lint trappers (i.e., a pair of black linen pants).

Problem	Possible Cause	Solutions
Lint on clothes	Excess static in clothes.	Use a fabric softener to reduce static electricity. Be sure to follow the manufacturer's instructions. Overdrying a load of laundry can cause a buildup of static electricity. Adjust settings and use a shorter drying time, or use SENSOR DRY cycles.
	Dryer is overloaded.	Divide extra large loads into smaller loads for drying.
	Tissue, paper, etc., left in pockets.	Check pockets thoroughly before washing and drying clothes.
Excess static in clothes after drying	Fabric softener is not used or used incorrectly.	Use a fabric softener or the STATIC SHIELD option, if equipped, to reduce static electricity. Be sure to follow the manufacturer's instructions.
	Clothes dried too long (overdried).	Overdrying a load of laundry can cause a buildup of static electricity. Adjust settings and use a shorter drying time, or use AUTO DRY cycles. Select a LESS DRY setting on SENSOR DRY cycles, if necessary.
	Drying synthetics, permanent press, or synthetic blends.	These fabrics are naturally more prone to static buildup. Try using fabric softener, or use LESS DRY and/or shorter TIME DRY time settings.
Clothes have damp spots after a SENSOR DRY cycle.	Very large load or very small load. Single large item such as a blanket or comforter.	<p>If items are too tightly packed or too sparse the sensor may have trouble reading the dryness level of the load. Use a Time Dry cycle for very small loads.</p> <p>Large, bulky items such as blankets or comforters can sometimes wrap themselves into a tight ball of fabric. The outside layers will dry and register on the sensors, while the inner core remains damp. When drying a single bulky item, it may help to pause the cycle once or twice and rearrange the item to unwrap and expose any damp areas.</p> <p>To dry a few remaining damp items from a very large load or a few damp spots on a large item after a sensor cycle has completed, empty the lint trap, then set a Time Dry cycle to finish drying the item(s).</p>

Error Codes

Problem	Possible Cause	Solutions
Error code: tE1 through tE7	Temperature sensor failure.	Turn off the dryer and call for service.
Display shows error code: PS (electric dryers only)	Power cord is connected incorrectly.	Check the connection of the power cord to the terminal block.
<p>*Flow Sense™ indicator shows four bars during the drying cycle or the display shows "d80" after drying</p> <p>* This warning light is not a dryer failure and is not covered by the dryer warranty. Contact a duct cleaning service to set up an appointment to have your exhaust system cleaned and inspected.</p>	<p>Exhaust system is too long or has too many turns/restrictions.</p> <p>Partial blockage of the ductwork due to lint buildup or other foreign object.</p> <p>The appliance has detected a restriction in the external dryer venting.</p>	<p>Install a shorter or straighter duct run. See the Installation Instructions for details.</p> <p>Ductwork should be checked/cleaned immediately. Dryer can be used in this condition, but drying times will be longer and energy consumption will increase.</p> <p>If exhaust restrictions are sensed by the Flow Sense™ system, the indicator will remain on for 2 hours after the end of the cycle. Opening the door or pressing the POWER button will turn off the display.</p>
The Flow Sense™ indicator remains active after clearing the restriction in the venting.	After clearing the restriction, the Flow Sense™ system requires multiple, consecutive cycles to determine that the performance value has improved before the Flow Sense™ indicator is reset.	If the Flow Sense™ indicator remains active for more than five cycles after the restriction has been cleared, call for service.
 <p>Clean Filter</p> <p>indicator light is on during the drying cycle</p>	Lint filter not cleaned properly.	Remove the lint from the filter before every load. With the lint removed, hold the filter up to a light to see if it is dirty or clogged. If it looks dirty, follow the cleaning instructions. With some loads that produce high amounts of lint, it may be necessary to clean the filter during the cycle.

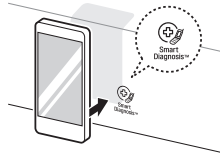
Problem	Possible Cause	Solutions
<p>The display shows d90, d95</p> 	<p>The duct work is about 90%-95% blocked. (“d90” or “d95” error code is displayed for 2 hours only)</p> <p>House exhaust system blocked.</p>	<p>Do not use the dryer until the exhaust system has been cleaned and/or repaired. Using the dryer with a severely restricted exhaust is dangerous and could result in a fire or other property damage.</p> <p>Check the outside dryer vent while the dryer is operating to make sure there is strong airflow.</p> <p>If the exhaust system is extremely long, have it repaired or rerouted.</p> <p>Keep the area around the dryer clean and free of clutter.</p> <p>Check vent hood for damage or lint clogging.</p> <p>Make sure the area around the vent hood is clear.</p>

SMART DIAGNOSIS™



Should you experience any problems with your dryer, it has the capability of transmitting data to your smart phone using the LG Smart Laundry Application or via your telephone to the LG call center.

Smart Diagnosis™ cannot be activated unless your dryer is turned on by pressing the **POWER** button. If your dryer is unable to turn on, then troubleshooting must be done without using Smart Diagnosis™.



Using Smart Diagnosis™

Smart Diagnosis™ Using Your Smart Phone

- 1 Download the LG Smart Laundry & DW application on your smart phone.
- 2 Open the LG Smart Laundry application on your smart phone. Press the right arrow button to advance to the next screen.
- 3 Press the Record button on the smart phone and then hold the mouthpiece of the smart phone near the Smart Diagnosis™ logo on the dryer.
- 4 With the phone held in place, press and hold the Temp. button for 3 seconds.
- 5 Keep the phone in place until the tone transmission has finished. The display will count down the time.
- 6 When the recording is complete, view the diagnosis by pressing the Next button on the phone.

NOTE

- Call quality differences by region may affect the function.
- Use a home telephone for better communication performance, resulting in better service.
- Poor call quality may result in poor data transmission from your phone to the machine, which could cause Smart Diagnosis™ to malfunction.

Smart Diagnosis™ Through the Call Center

- 1 Call the LG call center at: (LG U.S.)
1-800-243-0000
(LG Canada) 1-888-542-2623.
- 2 When instructed to do so by the call center agent, hold the mouthpiece of your phone over the Smart Diagnosis™ logo on the machine. Hold the phone no more than one inch from (but not touching) the machine.

NOTE

Do not touch any other buttons or icons on the display screen.

- 3 Press and hold the Temp. button for 3 seconds.
- 4 Keep the phone in place until the tone transmission has finished. The display will count down the time.
- 5 Once the countdown is over and the tones have stopped, resume your conversation with the call center agent, who will then be able to assist you in using the information transmitted for analysis.

NOTE

- For best results, do not move the phone while the tones are being transmitted.
- If the call center agent is not able to get an accurate recording of the data, you may be asked to try again.

WARRANTY (USA)

Should your LG Dryer (“Product”) fail due to a defect in materials or workmanship under normal home use, during the warranty period set forth below, LG will at its option repair or replace the product. This limited warranty is valid only to the original retail purchaser of the product and applies only when purchased and used within the United States including U.S. Territories. Proof of original retail purchase is required to obtain warranty service under this limited warranty.

Warranty Period	Scope of Warranty	HOW SERVICE IS HANDLED
One (1) year from date of original retail purchase	Parts and Labor	LG will provide parts and labor to repair or replace defective parts.
Ten (10) years from date of original retail purchase	Dryer drum	10years warranty on Dryer Drum, including parts & labor.

- Replacement products and parts are warranted for the remaining portion of the original warranty period or ninety (90) days, whichever is greater.
- Replacement products and parts may be new or remanufactured.

THIS WARRANTY IS IN LIEU OF ANY OTHER WARRANTY, EXPRESS OR IMPLIED, INCLUDING WITHOUT LIMITATION, ANY WARRANTY OF MERCHANTABILITY OR FITNESS FOR A PARTICULAR PURPOSE. TO THE EXTENT ANY IMPLIED WARRANTY IS REQUIRED BY LAW, IT IS LIMITED IN DURATION TO THE EXPRESS WARRANTY PERIOD ABOVE. NEITHER THE MANUFACTURER NOR ITS U.S. DISTRIBUTOR SHALL BE LIABLE FOR ANY INCIDENTAL, CONSEQUENTIAL, INDIRECT, SPECIAL, OR PUNITIVE DAMAGES OF ANY NATURE, INCLUDING WITHOUT LIMITATION, LOST REVENUES OR PROFITS, OR ANY OTHER DAMAGE WHETHER BASED IN CONTRACT, TORT, OR OTHERWISE.

Some states do not allow the exclusion or limitation of incidental or consequential damages or limitations on how long an implied warranty lasts, so the above exclusion or limitation may not apply to you. This warranty gives you specific legal rights and you may also have other rights that vary from state to state.

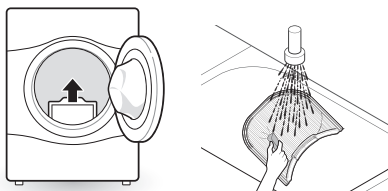
THIS LIMITED WARRANTY DOES NOT COVER:

- Service trips to deliver, pick up, or install or repair the product; instruction to the customer on operation of the product; repair or replacement of fuses or correction of wiring or plumbing, or correction of unauthorized repairs/installation.
- Failure of the product to perform during power failures and interruptions or inadequate electrical service.
- Damage caused by leaky or broken water pipes, frozen water pipes, restricted drain lines, inadequate or interrupted water supply or inadequate supply of air.
- Damage resulting from operating the Product in a corrosive atmosphere or contrary to the instructions outlined in the Product’s owner’s manual.
- Damage to the Product caused by accidents, pests and vermin, lightning, wind, fire, floods, or acts of God.
- Damage or failure caused by unauthorized modification or alteration, or if it is used for other than the intended purpose, or any water leakage where the unit was not properly installed.
- Damage or failure caused by incorrect electrical current, voltage, or plumbing codes, commercial or industrial use, or use of accessories, components, or consumable cleaning products that are not approved by LG.
- Damage caused by transportation and handling, including scratches, dents, chips, and/or other damage to the finish of your product, unless such damage results from defects in materials or workmanship and is reported within one (1) week of delivery.
- Damage or missing items to any display, open box, discounted, or refurbished Product.
- Products with original serial numbers that have been removed, altered, or cannot be readily determined. Model and Serial numbers, along with original retail sales receipt, are required for warranty validation.
- Increases in utility costs and additional utility expenses.
- Repairs when your Product is used in other than normal and usual household use (e.g. commercial use, in offices and recreational facilities) or contrary to the instructions outlined in the Product’s owner’s manual.

- Costs associated with removal of your Product from your home for repairs.
- The removal and reinstallation of the Product if it is installed in an inaccessible location or is not installed in accordance with published installation instructions, including LG's owner's and installation manuals.
- Damage resulting from misuse, abuse, improper installation, repair, or maintenance. Improper repair includes use of parts not approved or specified by LG.

Filter is clogged.

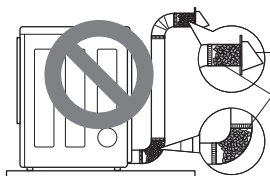
- Not heating, long dry time



- Clean the lint filter.

Duct is clogged.

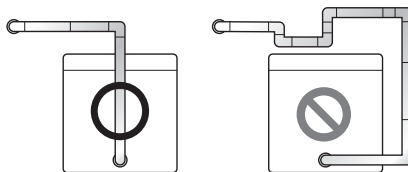
- Not heating, long dry time



- Clean the hood and duct.

Excessive duct length and/or multiple elbows

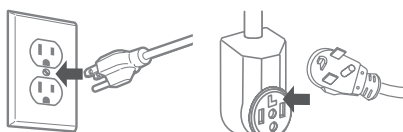
- Not heating, long dry time



- Keep exhaust ducts as short as possible, using as few elbows and bends as possible.

Improperly connected power cord or electrical outlet issue.

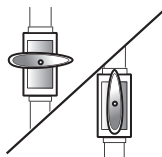
- No Power
- Not Heating



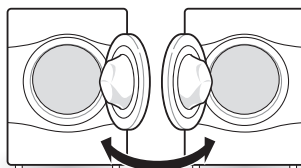
- Reconnect power cord, replace house fuse or reset breaker. If outlet is issue, electrician may be required.

Gas valve is not turned on. (Gas Dryer)

- Not heating



- Open the gas valve

Door Reversal

- Instructions for door reversal can be found in the owner's manual.

The cost of repair or replacement under these excluded circumstances shall be borne by the consumer.

TO OBTAIN WARRANTY SERVICE AND ADDITIONAL INFORMATION

For additional product information, visit the LG website at <http://www.lg.com>

For assistance using this product or to schedule service, contact LG Electronics at 1-800-243-0000.

For further assistance, write: LG Electronics, 201 James Record Road, Huntsville, Alabama 35813

Memo

MANUAL DEL PROPIETARIO

SECADORA

Lea atentamente este manual del propietario antes de poner el aparato en funcionamiento y téngalo a mano en todo momento para su referencia.

DLE7200*E (Elec)
DLG7201*E (Gas)

ÍNDICE

3 CARACTERÍSTICAS DEL PRODUCTO

4 INSTRUCCIONES DE SEGURIDAD

- 5 INSTRUCCIONES IMPORTANTES DE SEGURIDAD
- 7 INSTRUCCIONES DE CONEXIÓN A TIERRA
- 8 LEY SOBRE AGUA POTABLE Y CALIDAD TOXICOLÓGICA DE CALIFORNIA (CALIFORNIA SAFE DRINKING WATER AND TOXIC ENFORCEMENT ACT)
- 9 Nota de la FCC
- 9 Declaración de FCC de exposición a radiaciones de RF
- 10 ESPECIFICACIONES DEL PRODUCTO

11 DESCRIPCIÓN GENERAL DEL PRODUCTO

- 11 Partes
- 11 Accesorios
- 11 Kit de fijación de seguridad
- 11 Puerta reversible de doble sentido (en algunos modelos)

12 INSTALACIÓN

- 12 Descripción general de la instalación
- 12 Especificaciones del producto
- 13 Requisitos del lugar de instalación
- 13 Espacios libres
- 15 Nivelación de la secadora
- 15 Cambio de la dirección de apertura de la puerta
- 23 Instalación del kit de ventilación lateral
- 24 Ventilación de la secadora
- 26 Conexión de secadoras de gas
- 28 Conexión de secadoras eléctricas
- 32 Revisión final de la instalación
- 33 Prueba de instalación (Revisión de conductos)

35 FUNCIONAMIENTO

- 35 Cómo usar la secadora
- 36 Revise el filtro de pelusa antes de cada carga
- 36 Clasificación de cargas
- 36 Carga de la secadora
- 37 Uso de la función LG EasyLoad™
- 38 Panel de control
- 40 Guía de ciclos
- 42 Ajustes y opciones de ciclo
- 44 FUNCIONES INTELIGENTES

46 MANTENIMIENTO

- 46 Limpieza regular

47 SOLUCIÓN DE PROBLEMAS

- 47 Preguntas frecuentes
- 48 Antes de llamar al servicio técnico

55 SMART DIAGNOSIS™

- 55 Uso de Smart Diagnosis™

56 GARANTÍA (EE. UU.)

CARACTERÍSTICAS DEL PRODUCTO

Panel de control fácil de usar

Una completa selección de funciones de fácil manejo simplifica la operación de la secadora.

Puerta reversible de doble sentido para un fácil acceso

La función LG EasyLoad™ le permite abrir la puerta desde la parte superior, por lo que podrá cargar la secadora de forma sencilla sin que se le caigan las prendas al suelo. La puerta también se abre por completo para permitir un fácil acceso en la carga y descarga de prendas más voluminosas. La bisagra de la puerta puede invertirse para ajustarse a la ubicación de la instalación.

Indicador del sistema de detección de bloqueo del conducto Flow Sense™

El sistema de detección de bloqueo del conducto Flow Sense™ detecta y alerta en el caso de que haya restricciones en los conductos domésticos instalados que limiten el flujo de aire de escape de la secadora. Si ve la alerta: Limpie o repare los conductos para eliminar las restricciones. Mantenga los conductos libres de obstrucciones para ayudar a aumentar la eficacia y reducir los tiempos de secado prolongados causados por conductos bloqueados.

Smart ThinQ™

Descargue la nueva aplicación para teléfonos inteligentes LG para configurar opciones, auto diagnóstico y solución de problemas con el dispositivo, así como para otras funciones útiles. Esta función utiliza Wi-Fi.




Protocol P154
Sanitization Performance of
Residential Clothes dryer

INSTRUCCIONES DE SEGURIDAD


LEA TODAS LAS INSTRUCCIONES ANTES DE USAR

Su seguridad y la seguridad de los demás son muy importantes.

Hemos proporcionado muchos mensajes de seguridad importantes en este manual y en su aparato. Siempre lea y obedezca todos los mensajes de seguridad.

 Este es el símbolo de alerta de seguridad.
Este símbolo lo alerta sobre peligros potenciales que pueden ocasionar la muerte o una lesión a usted y a los demás. Todos los mensajes de seguridad estarán seguidos del símbolo de alerta de seguridad y de la palabra PELIGRO, ADVERTENCIA o PRECAUCIÓN.

Estos términos significan lo siguiente:

 **PELIGRO:** Usted morirá o sufrirá lesiones graves si no sigue las instrucciones inmediatamente.

 **ADVERTENCIA:** Podría sufrir lesiones graves o la muerte si no sigue las instrucciones.

 **PRECAUCIÓN:** Usted puede sufrir lesiones leves o causar daños en el producto si no sigue las instrucciones.

Todos los mensajes de seguridad le brindarán información sobre los posibles riesgos, sobre cómo reducir la posibilidad de sufrir lesiones y le dirán qué puede suceder si las instrucciones no se cumplen.

ADVERTENCIA: Riesgo de incendio

- Instale la secadora de ropa de acuerdo con las instrucciones del fabricante y los códigos locales.
- No instale la secadora de ropa con materiales de ventilación de plástico flexibles. Si se instala un conducto flexible metálico (tipo lámina de aluminio), este debe ser de un tipo específico que esté avalado por el fabricante como apto para el uso con secadoras de ropa. Es sabido que los materiales de ventilación flexibles se colapsan, se aplastan con facilidad y atrapan pelusas. Estas condiciones obstruirán el flujo de aire de la secadora y aumentarán el riesgo de incendio.
- Para reducir el riesgo de lesiones graves o la muerte, siga todas las instrucciones de instalación.
- Guarde estas instrucciones.

ADVERTENCIA RIESGO DE INCENDIO O EXPLOSIÓN

Si no se observan estrictamente las advertencias de seguridad, pueden producirse daños materiales, lesiones graves o la muerte.

—No almacene ni use gasolina u otros líquidos o vapores inflamables cerca de este artefacto ni de ningún otro.

—QUÉ HACER SI HUELE GAS

- No intente encender ningún aparato.
- No toque ningún interruptor eléctrico ni use ningún teléfono de su edificio.
- Evacue a todos los ocupantes de la habitación, el edificio o el área.
- Llame a su compañía de gas inmediatamente desde el teléfono de un vecino.
Siga las instrucciones de la compañía de gas.
- Si no puede comunicarse con su compañía de gas, llame al departamento de bomberos.

—La instalación y el mantenimiento deben ser realizados por un instalador, una agencia de servicio o una compañía de gas calificados.

INSTRUCCIONES IMPORTANTES DE SEGURIDAD



ADVERTENCIA

Para reducir el riesgo de incendio, descargas eléctricas o lesiones personales al usar su equipo, siga las precauciones básicas, incluso lo siguiente:

Instalación

- Mantenga el área alrededor de la abertura de escape y las áreas adyacentes libres de acumulación de pelusa, polvo y tierra.
- No instale ni almacene esta secadora en lugares donde pueda estar expuesta a la intemperie.
- **No coloque prendas expuestas a aceites de cocina en su secadora.** Las prendas contaminadas con aceites de cocina pueden contribuir a producir una reacción química que puede ocasionar que una carga se incendie.
- **Conecte la secadora a tierra apropiadamente según los códigos y las ordenanzas vigentes.** Siga las instrucciones de instalación. Si la secadora no se encuentra conectada a tierra adecuadamente, se pueden producir descargas eléctricas.
- **Antes de usarse, la secadora debe estar correctamente instalada como se describe en este manual.** Si la secadora no se encuentra conectada a tierra adecuadamente, se pueden producir descargas eléctricas.
- Instale y almacene la secadora en un lugar que no esté expuesto a temperaturas inferiores al punto de congelación ni a la intemperie.
- **Todas las reparaciones y servicios deberán ser realizados por personal de servicio autorizado, a menos que se den otras recomendaciones específicas en este Manual del propietario. Utilice solo piezas de fábrica autorizadas.** Si no se cumple con esta advertencia, se podrán producir lesiones graves, incendios, descargas eléctricas o la muerte.
- **Con el fin de reducir el riesgo de descargas eléctricas, no instale la secadora en espacios húmedos.** Si no se cumple con esta advertencia, se podrán producir lesiones graves, incendios, descargas eléctricas o la muerte.
- **Conecte a un circuito eléctrico de la capacidad correcta, protegido y del tamaño adecuado para evitar la sobrecarga eléctrica.** Un circuito eléctrico inadecuado se puede fundir, lo que creará riesgo de descargas eléctricas y/o de incendio.
- **Quite todos los elementos de embalaje y desecho adecuadamente todos los materiales de envío.** Si esto no se cumple, se podrán producir quemaduras, un incendio, una explosión o la muerte.
- **Para una instalación en el garaje, coloque la secadora a una altura mínima de 18 pulgadas (45,7 cm) sobre el piso.** Si esto no se cumple, se podrán producir quemaduras, un incendio, una explosión o la muerte.
- **Mantenga todos los envoltorios alejados de los niños.** Los materiales de embalaje pueden resultar peligrosos para los niños. Existe riesgo de asfixia.
- **No instale la secadora cerca de un elemento que genere calor, como una estufa, un horno o un calentador.** Si no se cumple con esta advertencia, se pueden producir deformación, humo o un incendio en el equipo.
- No coloque velas, cigarrillos ni otros objetos inflamables sobre el producto. Se podrá producir un derrame de cera, humo o un incendio.
- **Quite toda la película vinílica que protege al producto.** Si no lo hace puede ocasionar daños en el equipo, humo o un incendio.
- **Las secadoras de gas DEBEN tener escape al exterior.** El incumplimiento de estas instrucciones podrá producir un incendio o la muerte.
- El sistema de escape de la secadora debe tener salida al exterior de la vivienda. Si la secadora no tiene salida al exterior, se expulsará pelusa fina y grandes cantidades de humedad al área de lavado. Una acumulación de pelusa en cualquier parte de la casa puede crear riesgos para la salud y riesgo de incendio.
- Use únicamente conductos de metal semirrígidos o flexibles de 4 pulgadas (10,2 cm) de diámetro dentro del gabinete de la secadora o para escape al exterior. El uso de conductos de plástico o de otro material combustible puede causar incendios. Los conductos agujereados pueden causar incendios si se colapsan o se restringen de alguna manera durante el uso o la instalación.
- **No se suministran los conductos con la secadora; deberá obtenerlos en su localidad. La tapa terminal deberá tener reguladores de tiro con bisagras para prevenir una contracorriente de aire cuando no se use la secadora.** El incumplimiento de estas instrucciones podrá producir un incendio o la muerte.
- **El conducto de escape deberá tener 4 pulgadas (10,2 cm) de diámetro sin obstrucciones. El conducto de escape deberá mantenerse lo más corto posible. Asegúrese de limpiar los conductos antiguos antes de instalar su secadora nueva.** El incumplimiento de estas instrucciones podrá producir un incendio o la muerte.
- **Se recomienda el uso de conductos rígidos, semirrígidos o flexibles entre la secadora y la pared. Todos los conductos metálicos de transición que no sean rígidos deben estar aprobados por UL. El uso de otros materiales para el conducto de transición afectará el tiempo de secado.** El incumplimiento de estas instrucciones podrá producir un incendio o la muerte.
- **No utilice tornillos para chapa metálica ni ningún otro tipo de sujetadores que se extiendan dentro del conducto y puedan atrapar pelusa, y, así, reducir la eficiencia del sistema de escape. Asegure todas las uniones con cinta adhesiva para conductos. Para obtener más detalles, siga las instrucciones de instalación.** El incumplimiento de estas instrucciones podrá producir un incendio o la muerte.
- Algunas piezas internas no están conectadas a tierra intencionalmente y pueden presentar un riesgo de descarga eléctrica solamente durante la operación.
Personal de servicio – No permita que entren en contacto las siguientes piezas mientras el artefacto se encuentra energizado: Tablero de control

Funcionamiento

- Lea todas las instrucciones antes de usar el aparato.
- No seque prendas que hayan sido limpiadas, lavadas, remojadas o salpicadas previamente con gasolina, solventes de limpieza en seco u otras sustancias inflamables o explosivas, ya que emanan vapores que podrían inflamarse o explotar.
- No introduzca las manos en la secadora cuando el tambor esté en movimiento.
- No deje que los niños jueguen sobre la secadora ni dentro de ella. Cuando se usa la secadora cerca de los niños, se necesita una supervisión estricta.
- No use suavizantes para telas ni productos para eliminar estática a menos que hayan sido recomendados por el fabricante del suavizante o del producto.
- No use calor para secar prendas que contengan espuma de caucho o materiales de textura similares al caucho.
- No manipule indebidamente los controles.
- Siempre revise el interior de la secadora para verificar que no haya objetos extraños. El incumplimiento de estas instrucciones podrá producir un incendio o la muerte.
- No guarde plásticos, papel o ropa que puedan quemarse o derretirse sobre la secadora en funcionamiento. El incumplimiento de estas instrucciones podrá producir un incendio o la muerte.
- Tenga cuidado al abrir y cerrar la puerta. Los dedos y las manos podrían quedar enganchados en la puerta y causar danos si esta cae hacia delante de forma inadvertida.
- **No coloque objetos pesados ni se apoye sobre la parte superior de la puerta abierta.**
- **No intente abrir la puerta de tipo cesto más de 40 grados.**
- La secadora podría volcarse hacia delante y causarle lesiones personales o danos materiales.
- No coloque objetos pesados de la secadora.

Vapor (solo para modelos con función de vapor):

- **No abra la secadora durante el ciclo de vapor.** Si no se siguen estas instrucciones, se podría producir una quemadura.
- **No seque prendas que hayan sido limpiadas, lavadas, remojadas o salpicadas previamente con gasolina, solventes de limpieza en seco u otras sustancias inflamables o explosivas, ya que emanan vapores que podrían inflamarse o explotar.** El incumplimiento de estas instrucciones podrá producir un incendio o la muerte.
- **No llene el alimentador de vapor con gasolina, solventes de limpieza en seco u otras sustancias inflamables o explosivas.** El incumplimiento de estas instrucciones podrá producir un incendio o la muerte.
- **No toque la boquilla de vapor del tambor durante del ciclo de vapor o después de él.** Si no se siguen estas instrucciones, se podría producir una quemadura.
- **No llene el alimentador de vapor con agua caliente (superior a 86 °F/30 °C).** Si no se siguen estas instrucciones, se podría producir una quemadura.

Mantenimiento

- No repare ni sustituya ninguna pieza de este aparato ni intente realizar ningún tipo de servicio a menos que se recomiende específicamente en las instrucciones de mantenimiento del usuario o en las instrucciones de reparación del usuario publicadas que usted comprenda y pueda realizarlas.
- Limpie el filtro de pelusas antes o después de cada carga.
- El interior del aparato y el conducto de escape deben ser limpiados periódicamente por personal de mantenimiento calificado.
- Antes de sacar de servicio o desechar la secadora, extraiga la puerta del compartimiento de secado.
- Algunas piezas internas no están conectadas a tierra intencionalmente y pueden presentar un riesgo de descarga eléctrica solamente durante la operación.
Personal de servicio – No permita que entren en contacto las siguientes piezas mientras el artefacto se encuentre energizado: Tablero de control



ADVERTENCIA

Riesgo de incendio

Si no se observan estrictamente las advertencias de seguridad, pueden producirse danos materiales, lesiones graves o la muerte.

No instale un ventilador auxiliar en el tubo de salida.

Instale todas las secadoras de ropa conforme a las instrucciones de instalación del fabricante de la secadora.

GUARDE ESTAS INSTRUCCIONES

INSTRUCCIONES DE CONEXIÓN A TIERRA



ADVERTENCIA

La conexión inadecuada del conductor para la conexión a tierra del equipo puede producir un riesgo de descarga eléctrica. Consulte a un electricista calificado o a personal de mantenimiento si tiene dudas sobre si el aparato se encuentra conectado a tierra apropiadamente.

- **Este aparato debe estar conectado a tierra.** En caso de mal funcionamiento o avería, la conexión a tierra reducirá el riesgo de descarga eléctrica, ya que proporcionará una trayectoria de menor resistencia para la corriente eléctrica.
- **Este aparato debe estar equipado con un cable que tenga un conductor para la conexión a tierra del equipo y un enchufe con conexión a tierra.** El enchufe deberá estar conectado a una toma de corriente instalada en forma adecuada y con conexión a tierra de acuerdo con todos los códigos y las ordenanzas locales.
- **No modifique el enchufe.** Si el enchufe no entra en la toma de corriente, debe solicitar que un electricista calificado instale una toma de corriente adecuada.
- **Este aparato debe estar conectado a un sistema de cableado de metal permanente con conexión a tierra o se debe tender un conductor para la conexión a tierra del equipo con los conductores del circuito y se debe conectar al terminal o al cable de tierra del aparato.** Si la secadora no se encuentra conectada a tierra adecuadamente, se pueden producir descargas eléctricas.
- **La secadora siempre debe estar conectada a su toma de corriente individual, que debe tener un voltaje nominal que coincida con la placa de datos de servicio.** Esto brinda el mejor rendimiento y, además, impide la sobrecarga de los circuitos eléctricos de la casa, lo que podría causar peligro de incendio debido a los cables sobrecalentados.
- **Nunca desenchufe su secadora tirando del cable de alimentación. Siempre agarre el enchufe firmemente y tire de él hacia fuera de la toma de corriente para retirarlo.** El cable de alimentación se puede dañar, lo que puede producir riesgo de incendio o de descarga eléctrica.
- **Repáre o reemplace de inmediato todos los cables de alimentación pelados o dañados. No use un cable con grietas o abrasión visibles en sentido longitudinal o en sus extremos.** El cable de alimentación se puede derretir, lo que producirá peligro de descarga eléctrica y/o de incendio.
- **Al instalar o trasladar la secadora, tenga cuidado de no pellizcar, aplastar ni dañar el cable de alimentación.** Esto evitará lesiones o daños en la secadora a causa de incendios o descargas eléctricas.
- **En ninguna circunstancia, corte o quite el borne de conexión a tierra del cable de alimentación.** Para evitar lesiones personales o daños en la secadora, el cable de alimentación eléctrica debe estar conectado a una toma de corriente debidamente conectada a tierra.
- **Por motivos de seguridad personal, esta secadora debe estar conectada a tierra adecuadamente.** Si esto no se cumple, se podrán producir descargas eléctricas o lesiones.
- **Consulte las instrucciones de instalación de este manual para obtener los requisitos eléctricos específicos de su modelo.** Si no se cumplen estas instrucciones, se podrá causar riesgo de descargas eléctricas y/o incendios.
- **Esta secadora debe estar conectada a una toma de corriente conectada a tierra adecuadamente. Si la secadora no se encuentra conectada a tierra adecuadamente, se pueden producir descargas eléctricas. Contrate a un electricista calificado para que revise la toma de corriente de la pared y el circuito eléctrico y se asegure de que la toma está correctamente conectada a tierra.** Si no se cumplen estas instrucciones, se podrá causar riesgo de descargas eléctricas y/o incendios.

LEY SOBRE AGUA POTABLE Y CALIDAD TOXICOLÓGICA DE CALIFORNIA (CALIFORNIA SAFE DRINKING WATER AND TOXIC ENFORCEMENT ACT)

- Esta ley requiere que el gobernador de California publique una lista de sustancias que el estado considera que causan cáncer, defectos congénitos u otras lesiones reproductivas y obliga a las empresas a alertar a los clientes sobre la posible exposición a tales sustancias.
- Los aparatos de gas pueden causar una exposición leve a cuatro de estas sustancias, principalmente benceno, monóxido de carbono, formaldehído y hollín, generado principalmente por la combustión parcial del gas natural o combustibles licuados del petróleo.
- Las secadoras correctamente calibradas minimizarán la combustión incompleta. Para minimizar aún más la exposición a estas sustancias, se puede dotar a la secadora de la ventilación adecuada al exterior.



ADVERTENCIA

Este producto contiene sustancias químicas que el Estado de California considera que causan cáncer y defectos congénitos u otras lesiones reproductivas. ***Lávese las manos después de usarlo.***

Nota de la FCC (Para el módulo transmisor contenido en este producto)

Este equipo ha sido evaluado y se encontró que cumple con los límites para un equipo digital Clase B conforme a la Parte 15 de las Reglas de la FCC. Estos límites se designan para proporcionar una protección razonable contra la interferencia dañina en una instalación residencial. Este equipo genera, usa y puede irradiar energía de radiofrecuencia y, si no se instala y usa de acuerdo con las instrucciones, puede causar una interferencia dañina a las radiocomunicaciones.

Sin embargo, no hay garantía que la interferencia no ocurra en una instalación particular. Si este equipo causa interferencia dañina a la recepción de radio o televisión, lo cual puede determinarse apagando y encendiendo el equipo, se alienta al usuario a tratar de corregir la interferencia con una o más de las siguientes medidas:

- Reorientar o reubicar la antena de recepción.
- Aumentar la separación entre el equipo y el receptor.
- Conectar el equipo en una toma de un circuito diferente de aquel al que está conectado el receptor.
- Solicitar asistencia al distribuidor o a un técnico de radio/TV cualificado.

Este equipo cumple con la parte 15 de las Reglas de la FCC. La operación está sujeta a las siguientes condiciones:

- (1) este aparato no puede causar interferencias perjudiciales, y
- (2) este aparato debe aceptar cualquier interferencia recibida, incluidas interferencias que puedan causar un funcionamiento no deseado.

Cualquier cambio o modificación en la construcción de este aparato, que no esté expresamente aprobada por la parte responsable de su cumplimiento, podría desautorizar al usuario para operar el equipo.

Declaración de FCC de exposición a radiaciones de RF

Este equipo cumple con los límites de exposición de radiación de la FCC establecidos para un entorno no controlado. Este transmisor no debe colocarse ni operarse en conjunto con otra antena o transmisor.

Este equipo debe instalarse y operarse con una distancia mínima de 20 cm (7,8 pulgadas) entre la antena y su cuerpo. Los usuarios deben seguir las instrucciones operativas específicas para satisfacer el cumplimiento de la exposición de la RF.

ESPECIFICACIONES DEL PRODUCTO

Modelo	LCW-004
Rango de frecuencia	2412 MHz to 2462 MHz
Intensidad de salida (máxima)	IEEE 802.11b: 22.44 dBm IEEE 802.11g: 24.68 dBm IEEE 802.11n: 24.11 dBm

AVISO DE SOFTWARE DE CÓDIGO ABIERTO

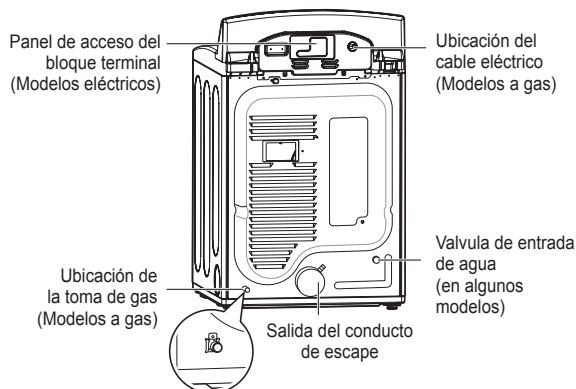
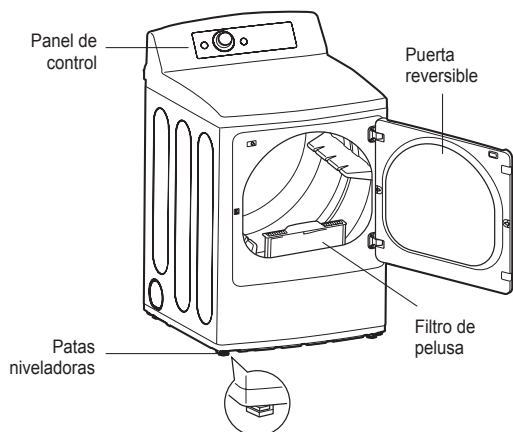
Para obtener el código fuente que contiene este producto bajo licencias GPL, LGPL, MPL y otras licencias de código abierto, visite <http://opensource.lge.com>.

Además del código fuente, podrá descargar las condiciones de las licencias, exención de responsabilidad de la garantía y avisos de copyright.

LG Electronics también proporcionará un código abierto en CD-ROM a un precio que cubra el coste de dicha distribución (incluidos los medios, el envío y el transporte) bajo pedido por correo electrónico a opensource@lge.com. Esta oferta es válida durante tres (3) años desde la fecha de compra del producto.

DESCRIPCIÓN GENERAL DEL PRODUCTO

Partes



Accesorios

Accesorios incluidos

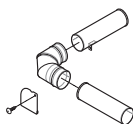


Kit de fijación de seguridad
(en algunos modelos)

Accesorios opcionales

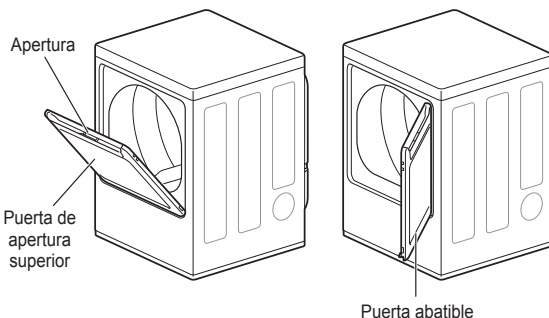


Rejilla de secado
(se vende por separado)
kit: 3750EL0001C



Kit de ventilación lateral
(se vende por separado)
N.º de kit: 383EEL9001B

Puerta reversible de doble sentido (en algunos modelos)



La función LG EasyLoad™ le permite abrir la puerta de la secadora desde la parte superior (como la puerta de un canasto de ropa) cuando carga la secadora, lo que le permite guiar la ropa hacia el tambor y evitar que se caiga al suelo. Para descargar la secadora o cargar prendas más voluminosas, utilice la puerta abatible para un fácil acceso al tambor.

Kit de fijación de seguridad

Este kit opcional ayuda a evitar que la secadora vuelque si los niños se suben a la puerta o si alguien cae sobre la puerta. Se recomienda la instalación de este kit dependiendo de su situación particular, pero no es obligatoria. Siga las instrucciones de instalación incluidas con el kit para instalarlo correctamente. Si no instala el kit, guárdelo fuera del alcance de los niños.

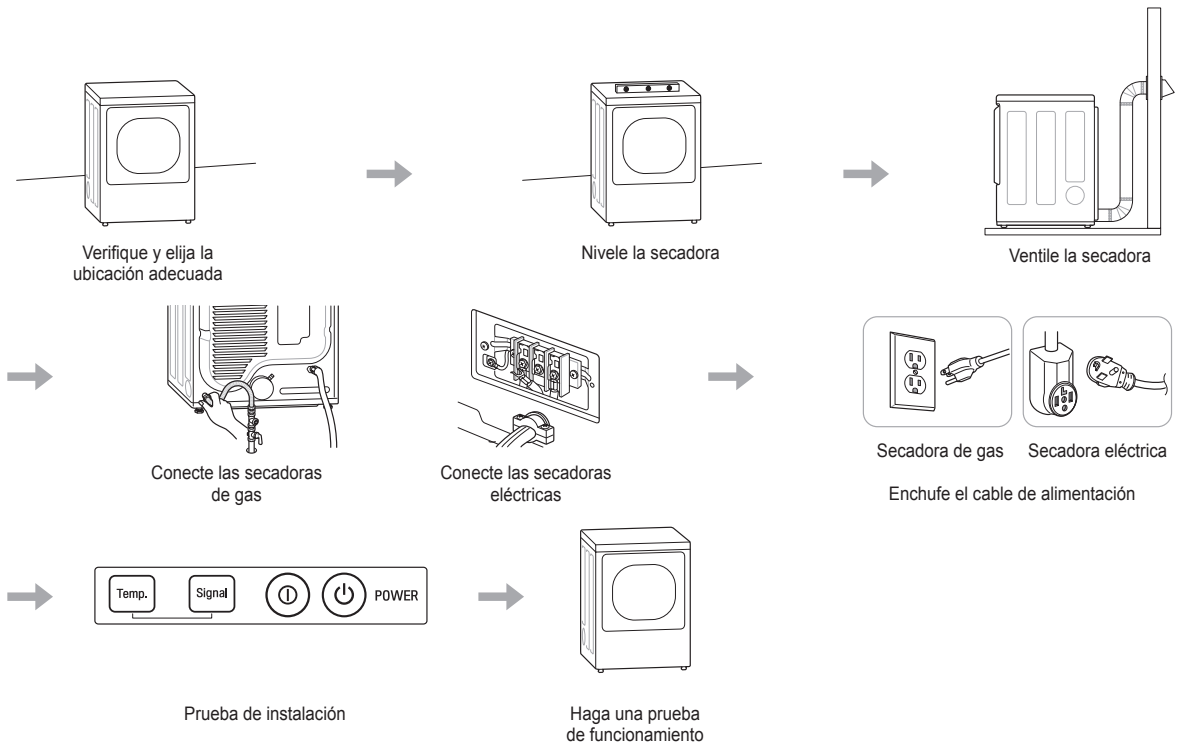
NOTA

- Para su seguridad y con el fin de ampliar la vida útil del producto, utilice solo componentes autorizados. El fabricante no es responsable del mal funcionamiento del producto ni de accidentes causados por el uso de componentes o piezas no autorizados y comprados por separado.
- Las imágenes de esta guía podrían ser diferentes a los componentes y accesorios reales, que están sujetos a cambiar a discreción del fabricante, sin previo aviso, con fines de mejorar el producto.

INSTALACIÓN

Descripción general de la instalación

Lea las siguientes instrucciones de instalación en primer lugar, después de comprar este producto o transportarlo a otra ubicación.



Especificaciones del producto

La apariencia y las especificaciones detalladas en este manual podrían variar, debido a mejoras constantes en el producto.

Modelos de secadoras	DLE7200*E, DLG7201*E
Requisitos eléctricos	Consulte la etiqueta de datos de servicio para más información.
Requisitos de gas	Gas natural: 4 a 10,5 pulgadas de columna de agua Gas licuado de petróleo: 8 a 13 pulgadas de columna de agua (solo para los modelos de gas)
Dimensiones	27" (Ancho) X 28 15/16" (Profundidad) X 44 1/4" (Alto), 50 1/4" (Profundidad con la puerta abierta) 68,6 cm (Ancho) X 73,4 cm (Profundidad) X 112,3 cm (Alto), 127,5 cm (Profundidad con la puerta abierta)
Peso neto	Secadora de gas: 132,5 lb (60,1 Kg) Secadora eléctrica: 129,8 lb (58,9 Kg)
Capacidad de secado - Ciclo normal	IEC 7,3 pies cúbicos (22,5 lb/10,2 kg)

NOTA

Los números de los modelos se encuentran en el gabinete, dentro de la puerta.

Requisitos del lugar de instalación



ADVERTENCIA

¡Lea todas las instrucciones de instalación antes de instalar y operar su secadora! Es importante que revise este manual por completo antes de instalar y usar su secadora. En las siguientes páginas, se proporcionan instrucciones detalladas con respecto a las conexiones eléctricas, a las conexiones de gas y a los requisitos de escape.

La instalación requiere:

- Un lugar que permita la instalación correcta del sistema de escape. La secadora de gas debe tener un escape al exterior. Consulte la sección Ventilación de la secadora.
- Una toma de corriente eléctrica conectada a tierra a 2 pies (61 cm) a uno de los lados de la secadora. Consulte la sección Conexión de secadoras eléctricas.
- Suelo firme para soportar el peso total de la secadora de 200 lb (90,7 kg). Además, se deberá tener en cuenta el peso combinado de un posible aparato adicional que lo acompañe.
- No se puede instalar ningún aparato de combustión en el mismo armario que la secadora.

No utilice la secadora a temperaturas inferiores a 45 °F (7 °C). A temperaturas más bajas, la secadora puede no apagarse al final de un ciclo automático. Esto puede dar lugar a tiempos de secado más prolongados. La secadora no se debe instalar ni almacenar en una zona donde quede expuesta al agua o a la intemperie. Consulte los requisitos normativos. Algunos códigos limitan, o no permiten, la instalación de la secadora en garajes, armarios, casas móviles o dormitorios. Comuníquese con el inspector de construcciones de su localidad.

NOTA

- Debajo de la secadora en su conjunto, el suelo debe estar nivelado y no debe tener una inclinación superior a 1 pulgada (2,5 cm). Si la secadora no está nivelada, las prendas no se centrifugarán apropiadamente y es posible que los ciclos de sensor automático no funcionen correctamente.
- Para la instalación en un garaje, deberá colocar la secadora a un mínimo de 18 pulgadas (46 cm) por encima del suelo. El pedestal convencional es de 15 pulgadas (38,1 cm). Debe dejar una separación de 18 pulgadas (46 cm) entre el piso del garaje y la parte inferior de la secadora.

Espacios libres

Separación para instalación en áreas cerradas o armarios

Se recomienda dejar las siguientes separaciones para esta secadora. Esta secadora se ha evaluado dejando una separación de 1 pulgada (2,5 cm) a ambos lados y en la parte posterior. Se recomienda dejar los espacios libres recomendados por las razones siguientes:

- Se debe considerar dejar espacios libres adicionales para facilitar las tareas de instalación y mantenimiento.
- Es posible que sea necesario dejar espacios libres adicionales para las molduras del techo, el suelo o la pared.
- Se debe considerar dejar espacios libres adicionales a ambos lados de la secadora para reducir la transmisión de ruido. Al realizar la instalación en un armario con puerta, debe haber aberturas de ventilación mínimas en la parte superior e inferior de la puerta. Se permite el uso de puertas de celosía con aberturas de ventilación equivalentes.
- Además, debe considerarse la separación para un aparato adicional que lo acompañe.

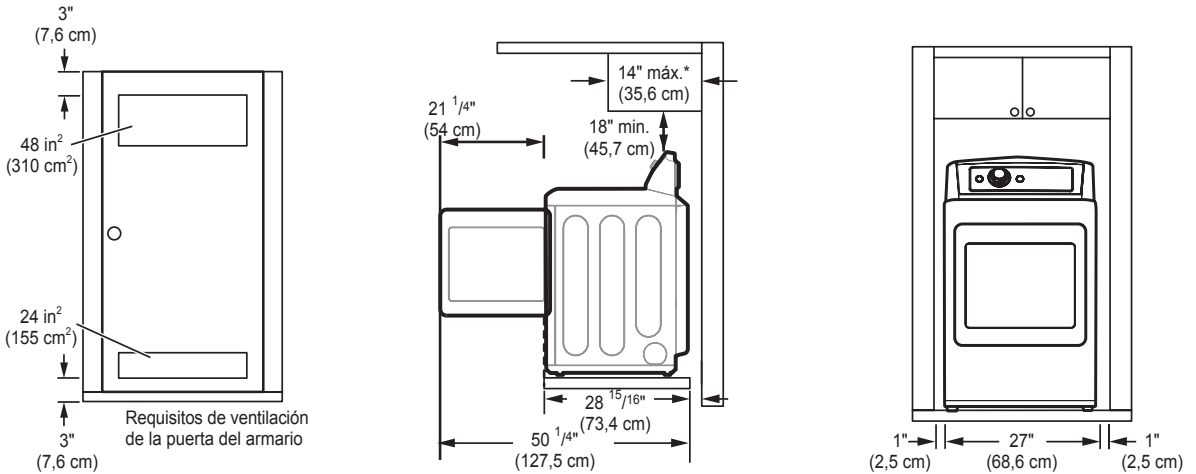
Requisitos de ventilación para armarios

Los armarios con puertas deben tener ventilación tanto en la parte superior como en la inferior para evitar la acumulación de calor y humedad dentro del armario. Se debe instalar una abertura de ventilación superior con una apertura mínima de 48 pulgadas cuadradas (310 cm²) a no menos de 6 pies del suelo. Se debe instalar una abertura de ventilación inferior con una apertura mínima de 24 pulgadas cuadradas (155 cm²) a no más de un pie del suelo. Instale rejillas de ventilación o corte la puerta en las partes superior e inferior para realizar aberturas. También se permite el uso de puertas de celosía con aberturas de ventilación equivalentes.

NOTA

Se debe dejar al menos un pequeño espacio alrededor de la secadora (o de cualquier otro aparato) para eliminar la transferencia de vibración de un aparato a otro. Si hubiera bastante vibración, los aparatos podrían hacer ruido o tocarse, con el consecuente deterioro de la pintura y el incremento del ruido.

Separación para instalación en áreas cerradas o armarios

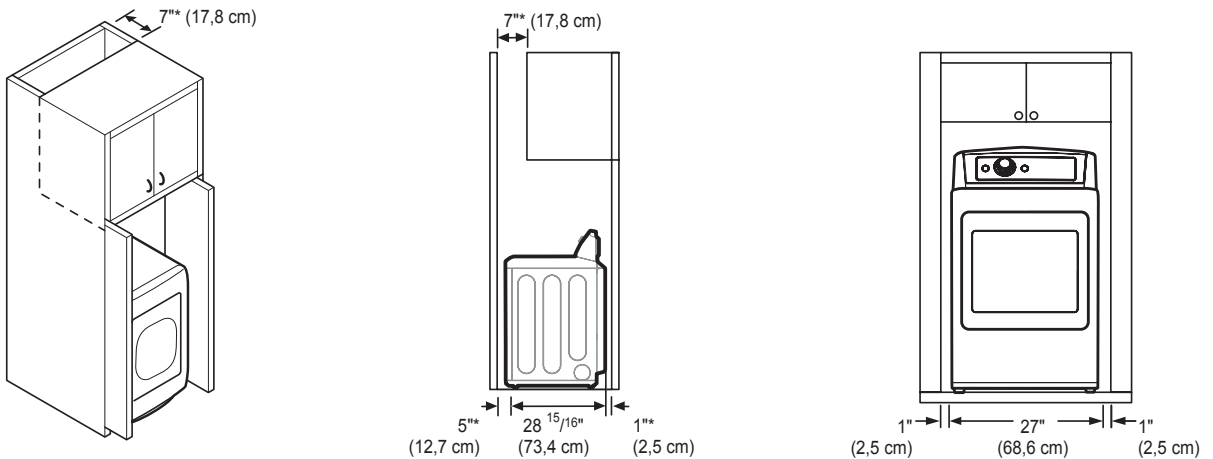


* Separación requerida

Separación para instalación en gabinetes

Para instalaciones en gabinetes con puerta, se requieren aberturas de ventilación mínimas en la parte superior del gabinete.

* Separación requerida



Nivelación de la secadora

⚠ ADVERTENCIA

Para reducir el riesgo de lesiones personales, cumpla con todos los procedimientos de seguridad recomendados por la industria, incluso el uso de guantes con mangas largas y gafas de seguridad. Si no se cumple con esta advertencia, se pueden producir lesiones graves o la muerte.

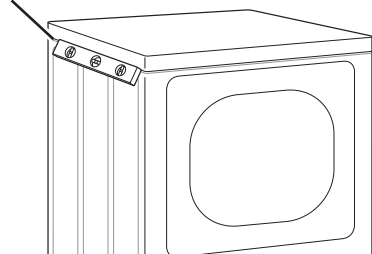
- El aparato es pesado. Se necesitan dos o más personas para la instalación de la secadora. Si no se cumple con esta advertencia, se pueden producir lesiones graves o la muerte.
- Para asegurar que la secadora brinde un desempeño óptimo de secado, debe estar nivelada. Para minimizar la vibración, el ruido y los movimientos no deseados, el piso deberá tener una superficie perfectamente nivelada y sólida.

NOTA

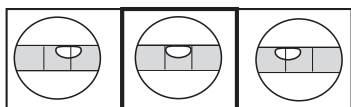
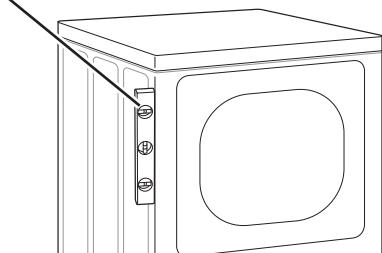
Ajuste las patas niveladoras solo en la medida necesaria para nivelar la secadora. Si se extienden las patas niveladoras más de lo necesario, esto puede causar vibración de la secadora.

- 1 Coloque la secadora en su ubicación definitiva. Verifique que la secadora esté nivelada de lado a lado. Repita desde la parte frontal a la parte trasera.

Coloque el nivel aquí



Coloque el nivel aquí

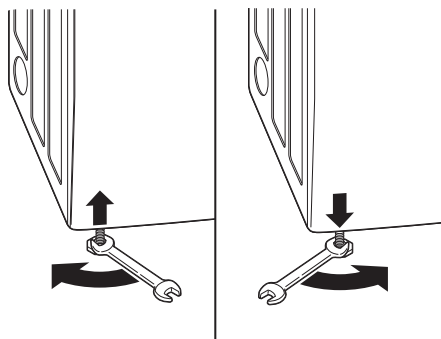


No Nivel

Nivel

No Nivel

- 2 Utilice una llave de tuercas ajustable para girar las patas niveladoras. Desenrosque las patas para levantar la secadora o enrósquelas para bajarla. Suba o baje la secadora con las patas niveladoras hasta que se encuentre nivelada de lado a lado y de adelante hacia atrás. Asegúrese de que las cuatro patas niveladoras se encuentren haciendo contacto firme con el piso.



Si instalará la secadora sobre el pedestal opcional, debe utilizar las patas niveladoras del pedestal para nivelar la secadora. Las patas niveladoras de la secadora deben estar completamente retraídas.

Cambio de la dirección de apertura de la puerta

Herramientas necesarias

Destornillador Phillips o plano grande (para tornillos de bisagra)

Destornillador pequeño de punta plana (para extraer piezas)

⚠ VADVERTENCIA

La puerta de la secadora es muy grande y pesada.

El incumplimiento de estas instrucciones podría causar daños en la secadora, daño a la propiedad o lesiones personales.

- Para evitar daños en la secadora o la puerta, sujete la puerta con un taburete o caja que ajuste debajo de la puerta o pida a otra persona que aguante el peso de la puerta.
- No deje caer la puerta, para prevenir daños a la propia puerta o el suelo.
- Desenchufe la secadora o desconecte el suministro eléctrico antes de invertir la dirección de apertura de la puerta.

Instrucciones para revertir la puerta

NOTA

Las instrucciones aquí son para cambiar la bisagra de la puerta de una bisagra lateral derecha a izquierda. Si la puerta se ha revertido, y es necesario revertirla de nuevo, tenga cuidado al seguir estas instrucciones.

Se invertirán algunas de las ilustraciones y las referencias derecha/izquierda, y deberá leer las instrucciones detenidamente.

Puerta batiente

- 1 Abra la puerta de lado para tener acceso a los tornillos de la bisagra.

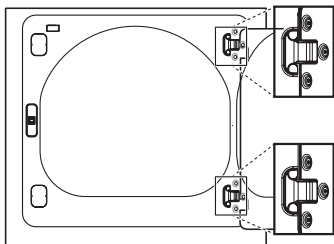


ADVERTENCIA

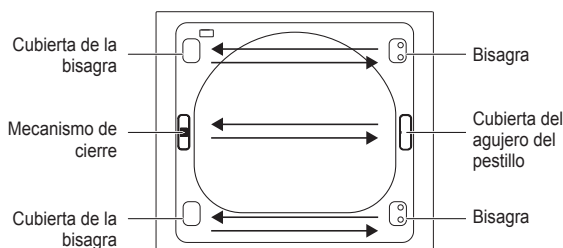
Asegúrese de apoyar el peso de la puerta antes de soltar los tornillos de la bisagra.

- 2 Afloje los cuatro tornillos de las bisagras

Mientras sostenga la puerta, retire los cuatro tornillos de bisagra, dos de cada bisagra. Ponga la puerta a un lado sobre una superficie protegida para prevenir el daño a la puerta o a la superficie de trabajo.

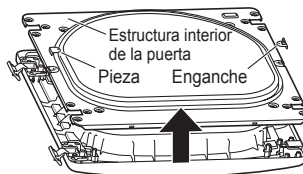


- 3 Reverse the components on the cabinet.

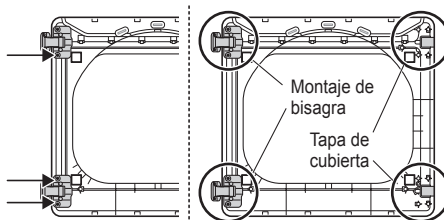


- a. Utilice un destornillador Phillips para extraer los dos tornillos y el mecanismo de cierre del panel frontal del gabinete.
- b. Extraiga la cubierta del agujero del cierre mediante un suave movimiento de palanca con un destornillador de punta plana, cuidando de no rayar la pintura. Instale la cubierta del agujero del cierre en el lado opuesto, de donde se ha extraído el mecanismo de cierre. Instale el mecanismo de cierre en la posición de donde extrajo la cubierta del agujero del pestillo utilizando los dos tornillos extraídos en el paso a.
- c. Retire la cubierta de la bisagra mediante un suave movimiento de palanca con un destornillador de punta plana, cuidando de no rayar la pintura. Gire la cubierta de la bisagra 180 grados e instálela en el lado opuesto, donde estaba sujeta la bisagra.

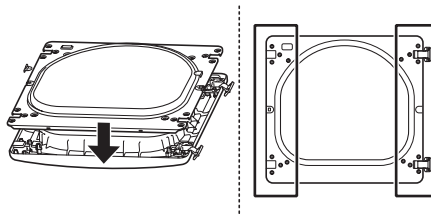
- 4 Con la puerta colocada sobre una superficie protegida, retire los 16 tornillos de cada lado de la puerta y retire el panel interior de la puerta con un destornillador de punta plana. Retire el enganche y la pieza, y llévelas al lado opuesto.



- 5 Retire los 4 tornillos fijando las bisagras a la estructura de la puerta. Retire los dos rellenos de plástico. Vuelva a instalar las bisagras y los rellenos en los lados opuestos a su posición inicial.



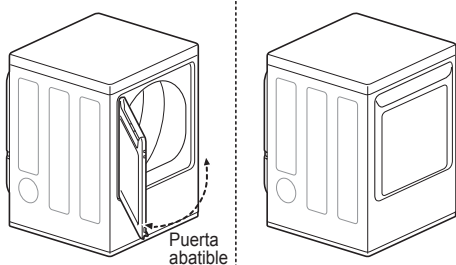
- 6 Con las bisagras y los rellenos en la nueva posición, monte de nuevo el panel interior de la puerta en la estructura de ésta con los tornillos retirados en el paso 3 anterior.



ADVERTENCIA

Asegúrese de soportar el peso de la puerta antes de instalar los tornillos de las bisagras.

- 7 Reinstale la puerta.**
Mientras sujeta la puerta, instálela con los cuatro tornillos de bisagra retirados en el paso 2. Pruebe el movimiento de apertura y cierre de la puerta para asegurarse de que las bisagras y el pestillo están correctamente alineados y que la puerta abre, cierra y traba correctamente en ambas direcciones.



Puerta de Dos Direcciones™ (en algunos modelos)

NOTA

El procedimiento de inversión de apertura de la puerta para la puerta de dos direcciones es mucha compleja que para la puerta de una secadora convencional.

Lea cuidadosamente estas instrucciones en su totalidad antes de comenzar el proceso, para juzgar si prefiere que el procedimiento lo haga un instalador profesional o persona de servicio técnico.

Las instrucciones aquí son para cambiar la bisagra de la puerta de una bisagra lateral derecha a izquierda. Si la puerta se ha revertido, y es necesario revertirla de nuevo, tenga cuidado al seguir estas instrucciones. Se invertirán algunas de las ilustraciones y las referencias derecha/izquierda, y deberá leer las instrucciones detenidamente.

Herramientas necesarias

Destornillador Phillips o plano grande (para tornillos de bisagra) Destornillador pequeño de punta plana (para extraer piezas)

⚠ VADVERTENCIA

La puerta de la secadora es muy grande y pesada.

El incumplimiento de estas instrucciones podría causar daños en la secadora, daño a la propiedad o lesiones personales.

- Para evitar daños en la secadora o la puerta, sujete la puerta con un taburete o caja que ajuste debajo de la puerta o pida a otra persona que aguante el peso de la puerta.
- No deje caer la puerta, para prevenir daños a la propia puerta o el suelo.
- Desenchufe la secadora o desconecte el suministro eléctrico antes de invertir la dirección de apertura de la puerta.

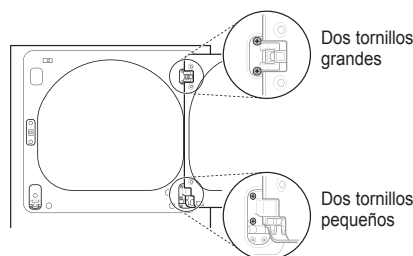
EN EL MUEBLE:

- 1 Abra la puerta de lado para tener acceso a los tornillos de la bisagra.**

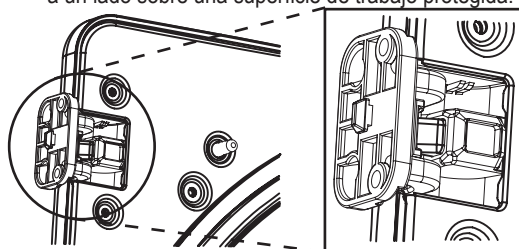
⚠ ADVERTENCIA

Asegúrese de apoyar el peso de la puerta antes de instalar los tornillos de la bisagra.

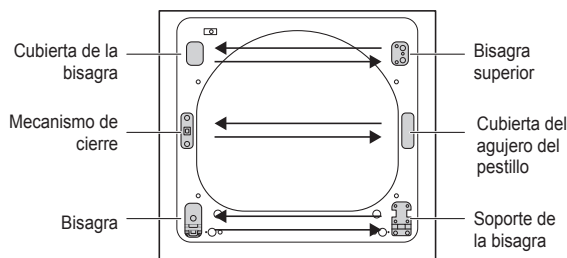
- 2 Retire la puerta del mueble.**
a. Mientras sostenga la puerta, retire los cuatro tornillos de bisagra.



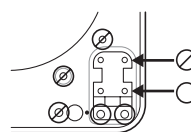
- b. Alce ligeramente la puerta para soltar el soporte de la bisagra y retirar la puerta del mueble. Ponga la puerta a un lado sobre una superficie de trabajo protegida.



- 3 Invierta los componentes del gabinete.**

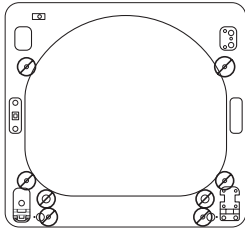


- a. Utilice un destornillador Phillips para extraer los dos tornillos y el mecanismo de cierre del panel frontal del gabinete.
- b. Extraiga la cubierta del agujero del cierre mediante un suave movimiento de palanca con un destornillador de punta plana, cuidando de no rayar la pintura. Instale la cubierta del agujero del cierre en el lado opuesto, de donde se ha extraído el mecanismo de cierre. Instale el mecanismo de cierre en la posición de donde extrajo la cubierta del agujero del pestillo utilizando los dos tornillos extraídos en el paso a.
- c. Retire la cubierta de la bisagra mediante un suave movimiento de palanca con un destornillador de punta plana, cuidando de no rayar la pintura. Gire la cubierta de la bisagra 180 grados e instálela en el lado opuesto, donde estaba sujeta la bisagra superior.
- d. Invierta la bisagra y el soporte de la bisagra de la parte inferior del gabinete. Extraiga los dos tornillos del soporte de la bisagra en la parte inferior derecha y retire el soporte de la bisagra. Extraiga el tornillo inferior de los dos tornillos que se encuentran detrás del soporte de la bisagra. NO extraiga el tornillo superior detrás del soporte de la bisagra. Aparte las piezas.

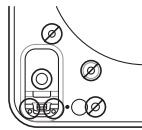


PRECAUCIÓN

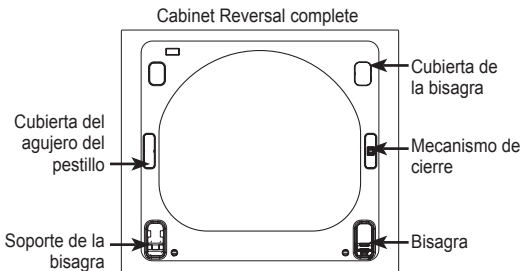
NO extraiga ninguno de los ocho tornillos del frente del gabinete (se indican aquí abajo). Si esto se hiciere, se podrían producir daños en la secadora y podría tener que llamar al servicio técnico para que repare la secadora.



e. Extraiga los tres tornillos de la bisagra inferior izquierda. Extraiga la bisagra y vuelva a instalarla en el lado derecho. El tornillo superior ocupará el agujero de donde extrajo el tornillo detrás del soporte de la bisagra en el paso d.



f. Instale el soporte de la bisagra que extrajo en el paso d en el lado inferior izquierdo colocando primero un tornillo detrás del soporte de la bisagra.



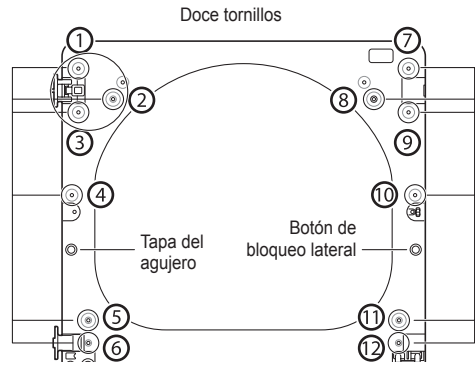
EN LA PUERTA:

4 Levante la cubierta de la puerta.

Con la puerta apoyada sobre una superficie protegida y con su parte interior mirando hacia arriba, extraiga los doce tornillos de la parte interior de la puerta. Levante con cuidado la cubierta de la puerta con la ayuda de un destornillador de punta plana pequeño insertado en la esquina superior (con un círculo aquí abajo).

ADVERTENCIA

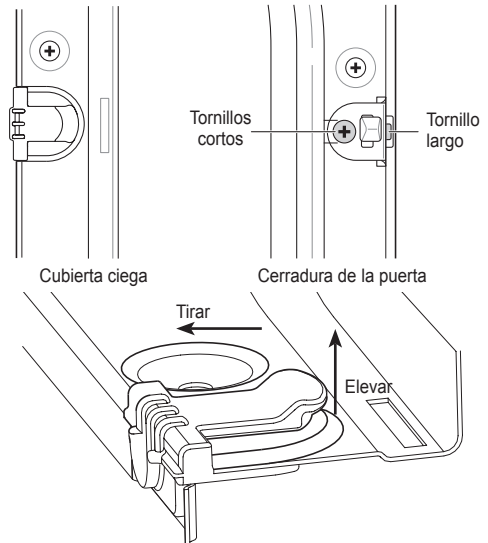
Los bordes de la cubierta de la puerta pueden ser filosos. Tenga cuidado al manipularla o use guantes para evitar lesiones.



5 Intercambie la cerradura de la puerta y la cubierta ciega.

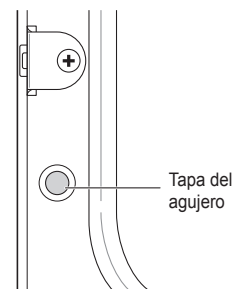
Extraiga los dos tornillos de la cubierta de la puerta que sujetan la cerradura de la puerta.

Intercambie la cerradura de la puerta y la cubierta ciega e instélas en el lado opuesto del lado de donde las extrajo.



Quitar cubierta blanca

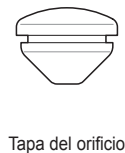
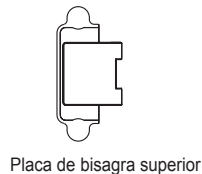
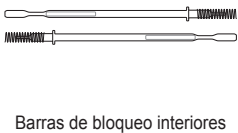
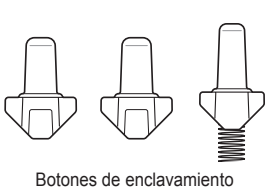
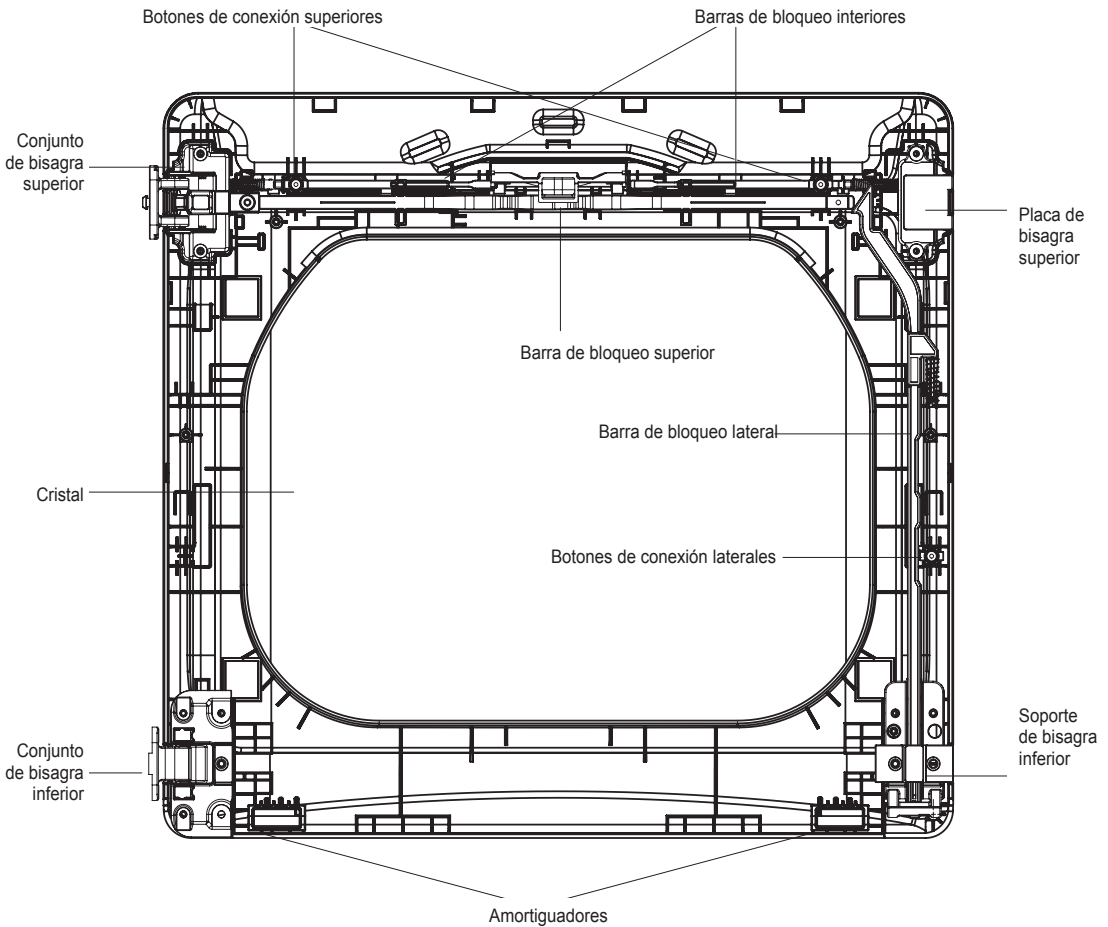
Retire con un suave movimiento de palanca la tapa del agujero que se encuentra en el costado de la cubierta de la puerta e instéla en el agujero del lado opuesto.



Aparte la cubierta de la puerta.

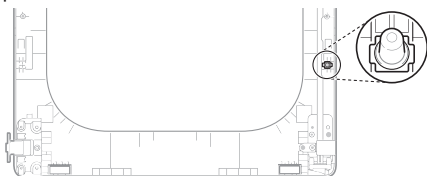
6 Invierta los componentes del interior de la puerta.

Ahora estará removiendo y revirtiendo varios componentes dentro de la puerta. Vea más adelante un diagrama detallado e identificación de la estructura interna y partes de la puerta. (El diagrama muestra la "vista antes" de la puerta, con la instalación por defecto para una puerta que abre a la derecha. Luego de seguir estas instrucciones, la puerta debe ser una imagen en espejo de la ilustración).



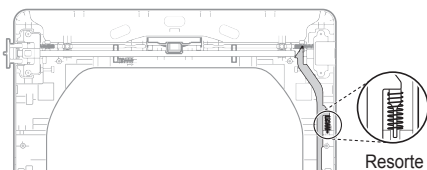
7 Levante el botón gris de conexión en el lado de la puerta.

Asegúrese de remover el resorte con el botón de enclavamiento y mantener los dos juntos. Ponga el botón de enclavamiento a un lado. No lo confunda con los botones de enclavamiento de la parte superior de la puerta externa.



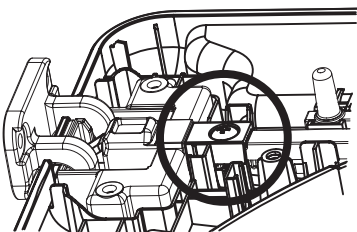
8 Retire la barra de bloqueo lateral.

Retire la barra de bloqueo lateral del soporte inferior de la bisagra levantando el extremo superior de la barra y deslizando hacia la parte superior de la puerta. El resorte debe permanecer unido a la barra de cierre. Ponga a un lado la barra de cierre.

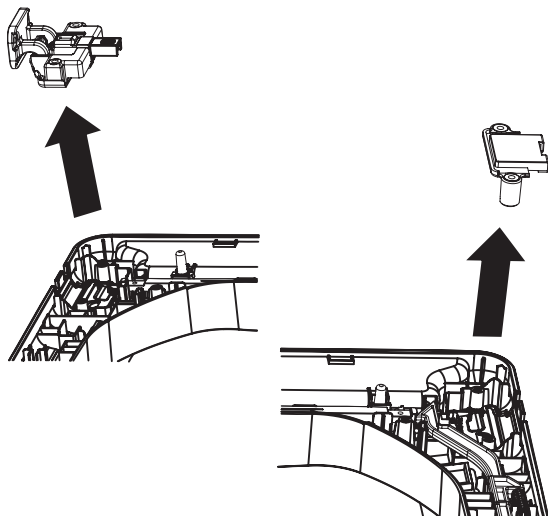


9 Invierta el conjunto de la bisagra superior y la placa de la bisagra.

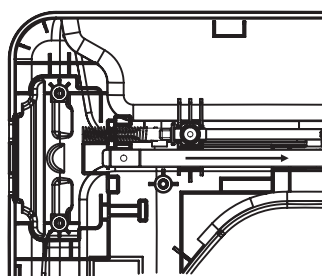
a. Quite el tornillo que conecta la bisagra superior a la barra de cierre superior y póngalo a un lado.



b. Levante la placa de la bisagra superior (en la derecha) y déjela a un lado.

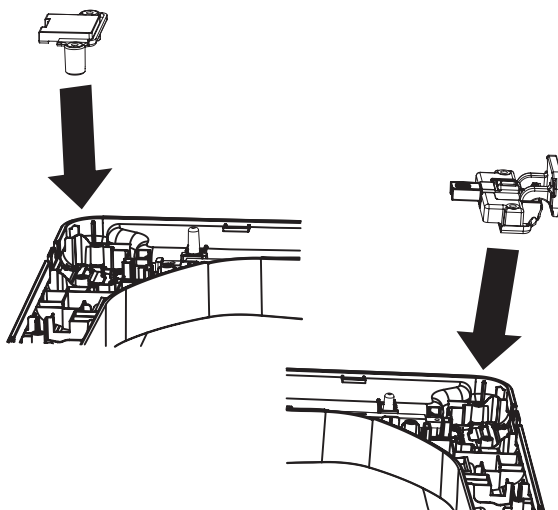


c. Deslice la barra de cierre superior a la derecha.

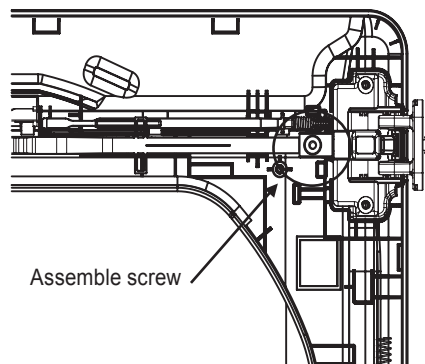


d. Levante la bisagra superior (a la izquierda), rótelas 180 grados, e instálela sobre la barra de cierre a la derecha, donde retiró la placa de la bisagra. Presione firmemente para sentar completar la bisagra.

e. Gire la placa de la bisagra 180 grados e instálela en el lado superior izquierdo de la puerta.

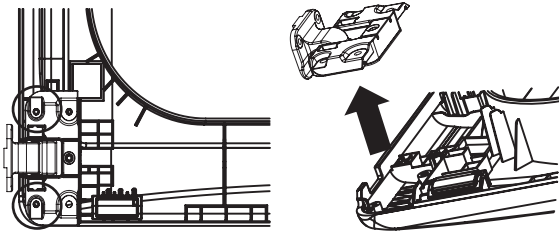
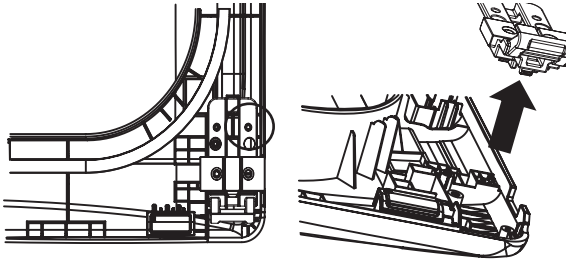


f. Inserte y apriete el tornillo que conecta la bisagra superior a la barra de cierre superior, retirado en el paso a.



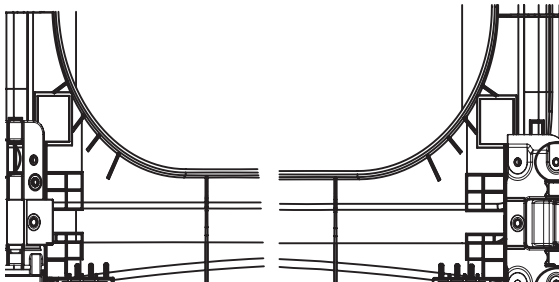
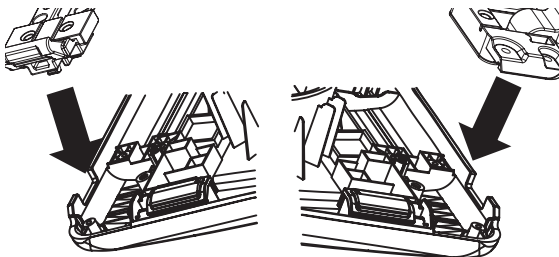
10 Invierta el conjunto de la bisagra superior y la placa de la bisagra.

- a. Retire un tornillo de la placa de la bisagra inferior (a la derecha) y levántelo. Retire dos tornillos de la bisagra inferior (a la izquierda) y levántelo.



- b. Rote la bisagra inferior 180 grados e instálela a la derecha usando los dos tornillos removidos en el paso a.

- c. Monte la placa de la bisagra inferior a la izquierda abajo con el tornillo removido en el paso a.



11 Instale la barra de bloqueo lateral.

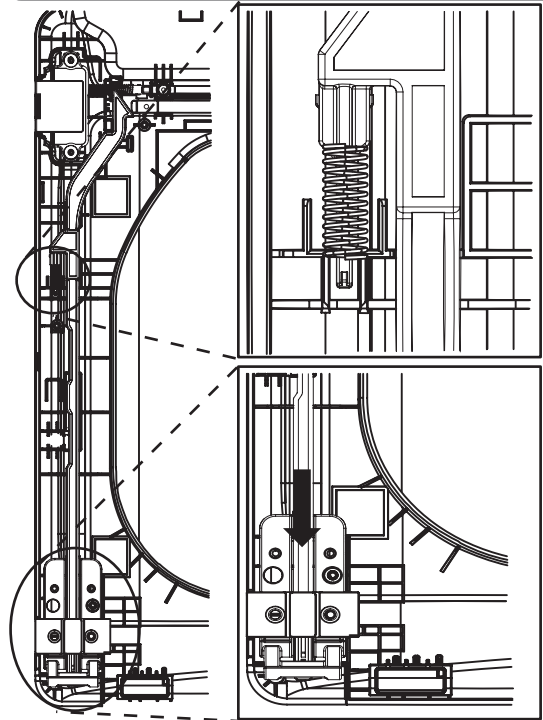
- a. Voltee la barra de cierre lateral e inserte el extremo inferior en la placa de la bisagra izquierda.
- b. Deslice la barra en las guías en la puerta mientras comprime el resorte dentro del receso.

NOTA

Asegúrese que la barra de cierre lateral está al lado de la barra de cierre superior y las dos no se superponen. Si no están alineadas apropiadamente, la puerta no operará apropiadamente.

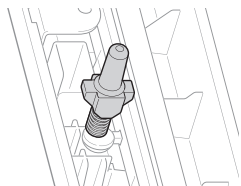
NOTA

Asegúrese que el resorte está en la barra de cierre lateral.



12 Reinstale el botón de enclavamiento a un lado.

Instale el botón de enclavamiento lateral del lado opuesto del cual se retiró.

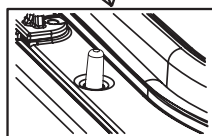
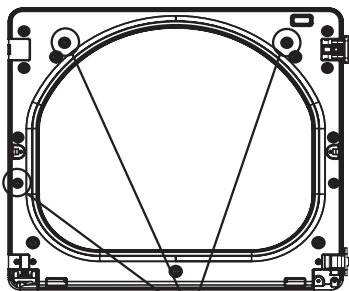
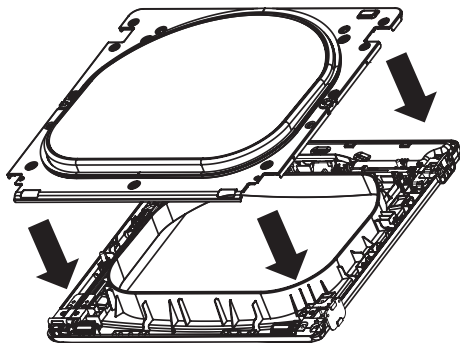


NOTA

Asegúrese que el resorte está en el botón de enclavamiento y está en el centro en el compartimento.

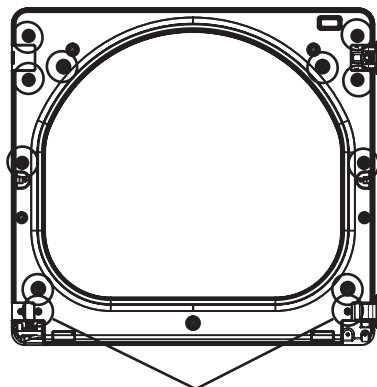
13 Reinstale la tapa de la puerta.

- Limpie el cristal en la puerta y cubierta de la puerta, si es necesario.
- Asegúrese que los tres botones grises de enclavamiento están apropiadamente instalados y que las barras de cierre superior y lateral intersectan apropiadamente.
- Baje lentamente la tapa de la puerta a su posición, alineando los orificios de la tapa con los botones de enclavamiento de los amortiguadores en el borde inferior.
- Una vez colocada la tapa de la puerta, fíjela con los 12 tornillos retirados en el paso 4.



NOTA

Asegúrese que los tres botones de enclavamiento están alineados con los agujeros en la tapa de la puerta.



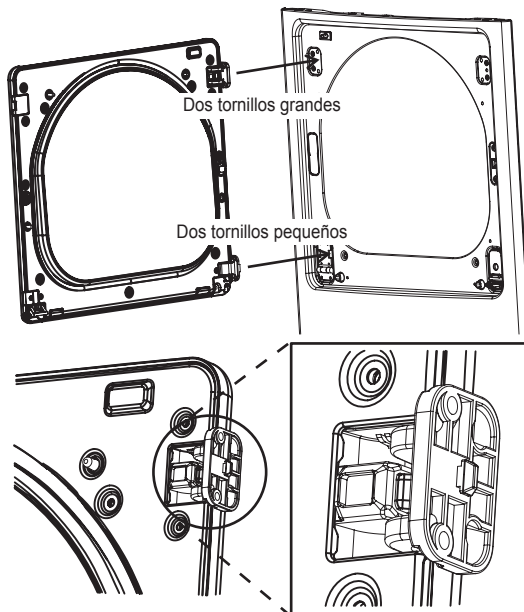
Dos tornillos de diferentes

NOTA

Diez tornillos similares están insertados en la parte superior y lados de la tapa de la puerta. Los dos tornillos diferentes están insertados en el borde inferior.

14 Recoloque la puerta en el mueble.

Mientras sostiene la puerta, inserte el soporte de la bisagra en la hendidura en la puerta y deslice la puerta hacia abajo ligeramente para asentarla. Instale los cuatro tornillos de bisagras removidos en el paso 2. Pruebe el movimiento de la puerta para chequear la alineación de las bisagras y pestillo. Asegúrese que la puerta abre, cierra y calza apropiadamente en ambas direcciones.



NOTA

Si la puerta está dañada, o si la puerta no funciona luego de rearmarla, contacte al centro de apoyo en 1-800-243-0000.

Instalación del kit de ventilación lateral

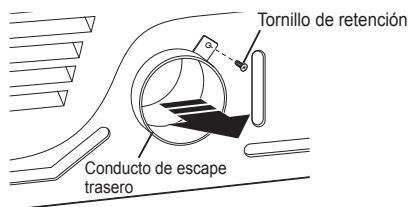
⚠️ ADVERTENCIA

- Utilice material para ventilación de metal pesado.
- No utilice conductos de plástico ni de lámina de metal.
- Limpie los conductos antiguos antes de instalar esta secadora.
- Para reducir el riesgo de lesiones personales, cumpla con todos los procedimientos de seguridad recomendados por la industria, incluso el uso de guantes con mangas largas y gafas de seguridad.
- Si no se cumplen todas las advertencias de seguridad de este manual, se podrían producir daños en la propiedad, lesiones personales o la muerte.

Su nueva secadora está equipada de fábrica para ventilar hacia la parte trasera. También puede configurarse para ventilar hacia la parte inferior o lateralmente (la ventilación lateral derecha no está disponible en los modelos de gas).

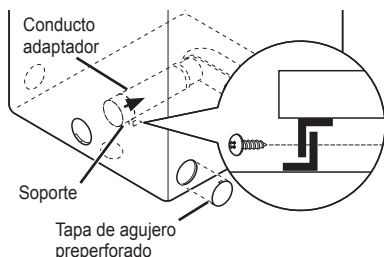
Puede adquirir un kit adaptador, número de pieza 383EEL9001B, de su distribuidor LG. Este kit contiene los componentes de conducto necesarios para cambiar la ubicación de la ventilación de la secadora.

- 1 Retire el tornillo de retención del conducto de escape trasero. Saque el conducto de escape.

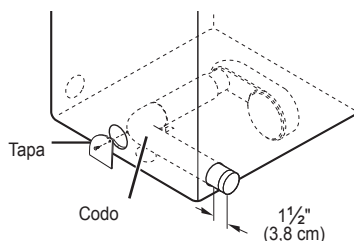


Opción 1: Ventilación lateral

- 2 Apriete las lengüetas de la tapa del agujero preperforado y quítela cuidadosamente para lograr la abertura de ventilación deseada (la ventilación lateral derecha no está disponible en los modelos de gas). Introduzca a presión el conducto adaptador en la carcasa del ventilador y fíjelo a la base de la secadora como se indica.

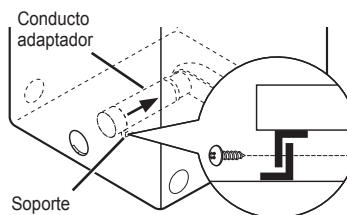


- 3 Ensamble un codo de 4 pulgadas (10,2 cm) a la siguiente sección de conducto de 4 pulgadas (10,2 cm) y asegure todas las conexiones con cinta adhesiva para conductos. Asegúrese de que el extremo macho del codo apunte hacia FUERA de la secadora. Inserte el ensamblaje del codo/conducto a través de la abertura lateral e introdúzcalo a presión en el conducto adaptador. Asegúrelo en su lugar con cinta adhesiva para conductos. Asegúrese de que el extremo macho del conducto sobresalga 1½ pulgadas (3,8 cm) para conectar el resto de los conductos. Coloque la tapa en la parte trasera de la secadora con el tornillo provisto.

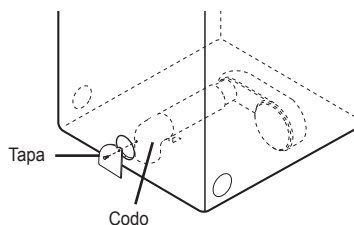


Opción 2: Ventilación inferior

- 2 Introduzca a presión el conducto adaptador en la carcasa del ventilador y fíjelo a la base de la secadora como se indica.



- 3 Inserte el codo de 4 pulgadas (10,2 cm) a través de la abertura trasera e introdúzcalo a presión en el conducto adaptador. Asegúrese de que el extremo macho del codo apunte hacia abajo a través del orificio ubicado en la parte inferior de la secadora. Asegúrelo en su lugar con cinta adhesiva para conductos. Coloque la tapa en la parte trasera de la secadora con el tornillo provisto.



Ventilación de la secadora



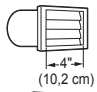
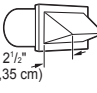
ADVERTENCIA

Para reducir el riesgo de incendio o explosión, descargas eléctricas, daños a la propiedad, lesiones personales o la muerte al usar este aparato, siga las precauciones básicas de seguridad, incluso lo siguiente:

- **No aplaste ni haga colapsar los conductos.** El incumplimiento de estas instrucciones podrá producir un incendio o la muerte.
- **No permita que los conductos se apoyen sobre objetos puntiagudos ni entren en contacto con ellos.** El incumplimiento de estas instrucciones podrá producir un incendio o la muerte.
- **Si realiza una conexión a conductos existentes, asegúrese de que sean los adecuados y de que estén limpios antes de instalar la secadora.** El incumplimiento de estas instrucciones podrá producir un incendio o la muerte.
- **El sistema de ventilación debe respetar los códigos de construcción locales.** El incumplimiento de estas instrucciones podrá producir un incendio o la muerte.
- **Las secadoras de gas DEBEN tener escape al exterior.** El incumplimiento de estas instrucciones podrá producir un incendio o la muerte.
- **Use únicamente conductos de metal rígidos, semirrígidos o flexibles de 4 pulgadas (10,2 cm) dentro del gabinete de la secadora o para ventilación al exterior.** El incumplimiento de estas instrucciones podrá producir un incendio o la muerte.
- **Para reducir el riesgo de incendio, combustión o acumulación de gases combustibles, NO dirija el escape de la secadora hacia un área cerrada o no ventilada, como desvanes, muros, cielos rasos, cámaras, chimeneas, conductos de gas o espacios ocultos de un edificio.** El incumplimiento de estas instrucciones podrá producir un incendio o la muerte.
- **Para reducir el riesgo de incendio, NO realice el escape de la secadora con conductos de plástico ni de lámina metálica fina.** El incumplimiento de estas instrucciones podrá producir un incendio o la muerte.
- **El conducto de escape deberá tener 4 pulgadas (10,2 cm) de diámetro sin obstrucciones.** El conducto de escape deberá mantenerse lo más corto posible. Asegúrese de limpiar los conductos antiguos antes de instalar su secadora nueva. El incumplimiento de estas instrucciones podrá producir un incendio o la muerte.
- **Se recomienda el uso de conductos rígidos, semirrígidos o flexibles entre la secadora y la pared.** Todos los conductos metálicos de transición que no sean rígidos deben estar aprobados por UL. El uso de otros materiales para el conducto de transición afectará el tiempo de secado. El incumplimiento de estas instrucciones podrá producir un incendio o la muerte.

- **NO utilice tornillos para chapa metálica ni ningún otro tipo de sujetadores que se extiendan dentro del conducto y puedan atrapar pelusa, y, así, reducir la eficiencia del sistema de escape. Asegure todas las uniones con cinta adhesiva para conductos.** El incumplimiento de estas instrucciones podrá producir un incendio o la muerte.
- **No exceda las limitaciones de longitud de los conductos recomendadas que se indican en el cuadro.** El incumplimiento de estas instrucciones podrá producir tiempos de secado prolongados, un incendio o la muerte.
- **No se proporcionan los conductos con la secadora. Debe obtener los conductos necesarios en su localidad. La campana de ventilación deberá tener reguladores de tiro con bisagras para prevenir una contracorriente de aire cuando no se use la secadora.** El incumplimiento de estas instrucciones podrá producir un incendio o la muerte.
- **La longitud total del conducto metálico flexible no deberá superar los 8 pies (2,4 m).**
- **En Canadá, solo se deberán usar conductos flexibles de lámina de metal, si fueran necesarios, específicamente identificados por el fabricante para su uso con el aparato.** En los Estados Unidos, solo se deberán usar conductos flexibles de lámina de metal, si fueran necesarios, específicamente identificados por el fabricante para su uso con el aparato y que cumplan el Esquema para conductos de transición de secadoras (Outline for Clothes Dryer Transition Duct), Sección 2158A.

Conductos

Tipo de tapa de pared	Cantidad de codos de 90°	Longitud máxima de conducto metálico rígido de 4 pulgadas (10,2 cm) de diám.
Recomendado  4" (10,2 cm)	0	65 pies (19,8 m)
	1	55 pies (16,8 m)
	2	47 pies (14,3 m)
	3	36 pies (11,0 m)
	4	28 pies (8,5 m)
Solo para uso en instalaciones con conductos cortos  2 1/2" (6,35 cm)	0	55 pies (16,8 m)
	1	47 pies (14,3 m)
	2	41 pies (12,5 m)
	3	30 pies (9,1 m)
	4	22 pies (6,7 m)

NOTA

Reste 6 pies (1,8 m) por cada codo adicional. No use más de cuatro codos de 90°.

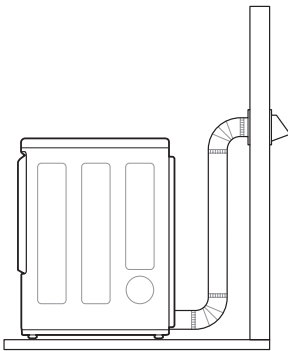
Recorrido y conexión de los conductos

NOTA

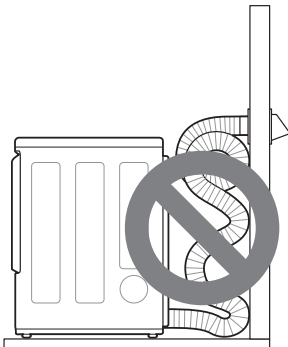
Siga las pautas a continuación para maximizar el rendimiento de secado, para reducir la acumulación de pelusa y la condensación en los conductos. Los conductos y las conexiones NO están incluidos y deben adquirirse por separado.

- Use conductos metálicos rígidos, semirrígidos o flexibles de 4 pulgadas (10,2 cm) de diámetro.
- El tendido del conducto de escape debe ser lo más corto posible.
- Use la menor cantidad de conexiones de codos posible.
- El extremo macho de cada sección del conducto de escape debe apuntar hacia fuera de la secadora.
- Use cinta adhesiva para conductos en todas las uniones de los conductos.
- Aísle los conductos que se pasen por áreas sin calefacción para reducir la condensación y la acumulación de pelusa en las superficies de los conductos.
- La garantía de la secadora no cubre los sistemas de escape instalados de manera inadecuada. La garantía de la secadora no cubrirá las fallas o el servicio técnico de la secadora derivados de dichos sistemas de escape.

Ventilación correcta



Ventilación incorrecta



Conexión de secadoras de gas



ADVERTENCIA

Para reducir el riesgo de incendio o explosión, descargas eléctricas, daños a la propiedad, lesiones personales o la muerte al usar este aparato, siga las precauciones básicas de seguridad.

Requisitos de suministro de gas

- Esta secadora está configurada de fábrica para uso con gas natural (NG). Puede convertirse para uso con gas propano (LP). La presión de gas no debe superar las 8 pulgadas (20,3 cm) de columna de agua para el gas natural ni las 13 pulgadas (33 cm) para el LP.
- Un técnico calificado de mantenimiento o de la compañía de gas debe conectar la secadora al suministro de gas. Si no se cumplen estas instrucciones, se podrá producir un incendio, una explosión o la muerte.
- Aísle la secadora del sistema de suministro de gas cerrando su válvula de corte manual individual durante las pruebas de presión del suministro de gas. Si esto no se cumple, se podrá producir una explosión, un incendio o la muerte.
- Requisitos de la línea de suministro: Su cuarto de lavado debe tener una línea rígida de suministro de gas para la secadora. En los Estados Unidos, se DEBE instalar una válvula de corte manual individual a una distancia de, por lo menos, 6 pies (1,8 m) de la secadora, de acuerdo con el Código Nacional de Gas Combustible ANSI Z223,1 o el código canadiense de instalación de gas CSA B149,1. Se debe instalar un tapón de tubo de 1/8 pulgadas (0,3 cm) NPT. Si esto no se cumple, se podrá producir una explosión, un incendio o la muerte.
- Si se usa una tubería rígida, la tubería rígida debe ser de 1/2 pulgada IPS. Si es aceptable según los códigos y las ordenanzas locales, y cuando sea aceptable según su compañía de gas, se pueden usar tuberías aprobadas de 3/8 pulgadas (1 cm) cuando las longitudes sean menores de 20 pies (6,1 m). Se deben usar tuberías más grandes si las longitudes exceden los 20 pies (6,1 m). Si esto no se cumple, se podrá producir una explosión, un incendio o la muerte.
- Conecte la secadora al tipo de gas indicado en la placa de identificación. Si esto no se cumple, se podrá producir una explosión, un incendio o la muerte.
- Para evitar la contaminación de la válvula de gas, purgue el aire y el sedimento del suministro de gas antes de conectar el suministro de gas a la secadora. Antes de ajustar la conexión entre el suministro de gas y la secadora, purgue el aire hasta que se detecte olor de gas. Si esto no se cumple, se podrá producir una explosión, un incendio o la muerte.
- NO use una llama abierta para inspeccionar si hay fugas de gas. Use un fluido anticorrosivo para detección de fugas. Si esto no se cumple, se podrá producir una explosión, un incendio o la muerte.

- Utilice únicamente una línea de suministro de gas nueva certificada por AGA o CSA con conectores flexibles de acero inoxidable. Si esto no se cumple, se podrá producir una explosión, un incendio o la muerte.
- Ajuste bien todas las conexiones de gas. Si esto no se cumple, se podrá producir una explosión, un incendio o la muerte.
- Utilice cinta de teflón o un compuesto para conexión de tuberías insoluble al gas propano (LP) en todas las roscas de las tuberías. Si esto no se cumple, se podrá producir una explosión, un incendio o la muerte.
- NO intente desensamblar la secadora; todo desmontaje requiere de la atención y las herramientas de un técnico o una compañía de mantenimiento autorizado y calificado. Si no se cumple esta advertencia, se puede producir un incendio, una explosión o la muerte.

Requisitos eléctricos para modelos de gas únicamente

- En ninguna circunstancia corte o quite el tercer borne (de conexión a tierra) del cable de alimentación. Si no se cumple esta advertencia, se puede producir un incendio, una explosión o la muerte.
- Por motivos de seguridad personal, esta secadora debe estar conectada a tierra adecuadamente. Si no se cumple esta advertencia, se puede producir un incendio, una explosión o la muerte.
- Esta secadora se debe enchufar a una toma de corriente conectada a tierra de 120 V CA, de 60 Hz protegida por un fusible o cortacircuitos de 15 amperios. Si no se cumple esta advertencia, se puede producir un incendio, una explosión o la muerte.
- En caso de contar con una toma de corriente de pared estándar de 2 patas, es su responsabilidad y obligación reemplazarla por una toma de corriente de 3 patas con su debida conexión a tierra. Si no se cumple esta advertencia, se puede producir un incendio, una explosión o la muerte.



Enchufe la secadora en una toma de corriente de 3 patas de 120 V CA, 60 Hz, conectada a tierra.



ADVERTENCIA

PELIGRO DE DESCARGA ELÉCTRICA

Si no se observan las advertencias de seguridad, pueden producirse lesiones graves o la muerte.

Esta secadora está equipada con un enchufe de tres clavijas con conexión a tierra a fin de brindar protección contra descargas eléctricas y debe conectarse directamente a un receptáculo de tres terminales con una conexión a tierra adecuada. No corte ni quite la clavija de conexión a tierra de este enchufe.

Conexión del suministro de gas

- **La instalación y el mantenimiento deben ser realizados por un instalador, una agencia de mantenimiento o una compañía de gas calificados.** Si esto no se cumple, se podrá producir una explosión, un incendio o la muerte.
- **Utilice únicamente un conector flexible de acero inoxidable nuevo y un conector certificado por AGA nuevo.** Si esto no se cumple, se podrá producir una explosión, un incendio o la muerte.
- **Se debe instalar una válvula de corte de gas a una distancia máxima de 6 pies (1,8 m) de la secadora.** Si esto no se cumple, se podrá producir una explosión, un incendio o la muerte.
- **La secadora está configurada de fábrica para uso con gas natural. Asegúrese de que la secadora esté equipada con la boquilla para quemador correcta para el tipo de gas que se usará (gas natural o propano).** Si esto no se cumple, se podrá producir una explosión, un incendio o la muerte.
- **Si fuera necesario, un técnico calificado deberá instalar la boquilla correcta (para el kit de boquilla para LP, número de la pieza para pedidos 383EEL3002D) y se deberá tomar nota de este cambio en la secadora.** Si esto no se cumple, se podrá producir una explosión, un incendio o la muerte.
- **Se deben realizar todas las conexiones según los códigos y las regulaciones locales.** Si esto no se cumple, se podrá producir una explosión, un incendio o la muerte.
- **Las secadoras de gas DEBEN tener escape al exterior.** Si esto no se cumple, se podrá producir una explosión, un incendio o la muerte.

NOTA

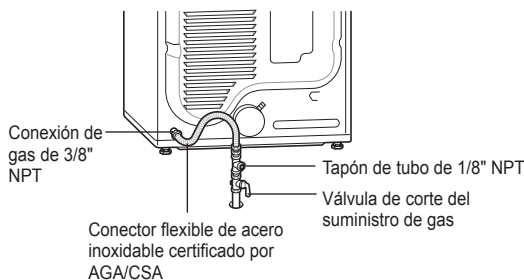
Esta secadora está configurada de fábrica para uso con gas natural (NG). Si la secadora se utilizará con gas propano (LP), un técnico calificado deberá realizar la conversión.

- 1** Asegúrese de que el suministro de gas al cuarto de lavado se encuentre APAGADO y de que la secadora esté desenchufada. Confirme que el tipo de gas disponible en su cuarto de lavado sea el adecuado para la secadora.
- 2** Quite la tapa de envío de la conexión de gas que se encuentra en la parte trasera de la secadora. Tenga cuidado de no dañar la rosca del conector de gas al quitar la tapa de envío.
- 3** Conecte la secadora al suministro de gas de su cuarto de lavado mediante un conector flexible de acero inoxidable nuevo con una conexión de 3/8 pulgadas NPT.

NOTA

NO use conectores viejos.

- 4** Ajuste bien todas las conexiones entre la secadora y el suministro de gas de su cuarto de lavado.
- 5** Abra el suministro de gas de su cuarto de lavado.
- 6** Verifique que no haya fugas de gas en ninguna de las conexiones de las tuberías (tanto interiores como exteriores) mediante un fluido anticorrosivo para detección de fugas.
- 7** Proceda a realizar la ventilación de la secadora.



Instalaciones en lugares de gran altitud

La capacidad de BTU para esta secadora está certificada por AGA para elevaciones por debajo de los 10,000 pies.

Si instalará su secadora a una elevación superior a los 10,000 pies, la compañía de gas o un técnico calificado deberán cambiar la capacidad del equipo.

Conexión de secadoras eléctricas

Requisitos eléctricos para modelos eléctricos únicamente



ADVERTENCIA

Para ayudar a evitar incendios, descargas eléctricas, lesiones graves o la muerte, el cableado y la descarga a tierra deben cumplir con la última edición del Código Eléctrico Nacional, ANSI/NFPA 70 y todas las regulaciones locales correspondientes. Comuníquese con un electricista calificado para que revise el cableado y los fusibles de su casa para asegurarse de que su casa posee la energía eléctrica adecuada para que funcione la secadora.

- **Esta secadora debe estar conectada a un sistema de cableado de metal permanente con conexión a tierra o se debe tender un conductor para la conexión a tierra del equipo con los conductores del circuito y se debe conectar al terminal o al cable de tierra del aparato.** Si esto no se cumple, se podrá producir una explosión, un incendio o la muerte.
- **La secadora tiene su propio bloque de bornes, que debe conectarse a un circuito individual monofásico de 240 V CA, de 60 Hz, protegido por un fusible de 30 amperios (el circuito debe tener protección por fusible a ambos terminales de la línea). EL SERVICIO ELÉCTRICO DE LA SECADORA DEBE SER DE LA MÁXIMA CLASIFICACIÓN DE VOLTAJE INDICADA EN LA PLACA DE IDENTIFICACIÓN. NO CONECTE LA SECADORA A UN CIRCUITO DE 110, 115 O 120 VOLTIOS.** Si no se cumplen estas instrucciones, se podrá producir un incendio, una explosión o la muerte.
- **Si el circuito derivado de la secadora tiene una longitud de 15 pies (4,5 m) o menos, use cable homologado por UL (Underwriters Laboratories) N.º 10 AWG (solo alambre de cobre) o según lo requieran los códigos locales. Si supera los 15 pies (4,5 m), use cable homologado por UL (Underwriters Laboratories) N.º 8 AWG (solo alambre de cobre) o según lo requieran las leyes locales. Disponga de suficiente dotación de cableado, de manera de poder mover la secadora de su ubicación normal cuando sea necesario.** Si esto no se cumple, se podrá producir una explosión, un incendio o la muerte.
- **NO se provee el cable flexible de alimentación que conecta el receptáculo de la pared y el bloque de bornes de la secadora. El cable de conexión flexible y el calibre del alambre deben cumplir con los códigos locales y con las instrucciones indicadas en las siguientes páginas.** Si no se cumplen estas instrucciones, se podrá producir un incendio, una explosión o la muerte.
- **Se requiere una conexión de 4 hilos en todas las instalaciones de casas móviles y prefabricadas, así como en todas las construcciones nuevas posteriores al 1 de enero de 1996. Se debe usar una conexión de 4 hilos si los códigos locales no permiten la conexión a tierra mediante el hilo neutro.** Si esto no se cumple, se podrá producir una explosión, un incendio o la muerte.
- No modifique el enchufe ni el cable interno provistos con la secadora.
- La secadora deberá conectarse a una toma de corriente de 4 agujeros.
- Si el enchufe no coincide con la toma de corriente, un electricista calificado deberá instalar una toma de corriente adecuada.

Requisitos eléctricos especiales para casas móviles o prefabricadas

- Toda instalación en una casa móvil o prefabricada debe realizarse de conformidad con los Estándares de seguridad y construcción de casas prefabricadas, Título 24 CFR, Parte 3280 o el Estándar CAN/CSA Z240 MH y con los códigos y las ordenanzas locales. Si no está seguro de que la instalación que pretende utilizar cumpla con estos estándares, comuníquese con un profesional de mantenimiento e instalación para solicitar asistencia.
- **Se requiere una conexión de 4 hilos en todas las instalaciones de casas móviles y prefabricadas, así como en todas las construcciones nuevas posteriores al 1 de enero de 1996.** Si esto no se cumple, se podrá producir una explosión, un incendio o la muerte.
- Una secadora de gas estar fija al piso de forma permanente.
- La conexión eléctrica de una secadora eléctrica debe ser una conexión de 4 hilos. Se provee información más detallada sobre la conexión eléctrica en la sección Conexión de secadoras eléctricas.
- Para reducir el riesgo de combustión e incendio, la secadora debe ventilar hacia el exterior.
- NO permita que la secadora ventile hacia la parte inferior de una casa móvil o prefabricada.
- Las secadoras eléctricas deben ventilar hacia el exterior mediante el panel trasero, izquierdo, derecho o inferior.
- Las secadoras de gas deben ventilar al exterior mediante el panel trasero, izquierdo o inferior. Las secadoras de gas no deben ventilar hacia el exterior mediante el panel derecho debido a la carcasa del quemador.
- El conducto de escape de la secadora debe estar bien fijado a la estructura de la casa móvil o prefabricada y el conducto de escape debe estar hecho con un material resistente al fuego y a la combustión. Se recomienda el uso de un conducto de metal rígido, semirrígido o flexible.
- NO conecte el conducto de escape de la secadora a ningún otro conducto, respiradero, chimenea ni a ningún otro tipo de conducto de escape.
- Asegúrese de que la secadora disponga del debido acceso al aire fresco del exterior para garantizar un funcionamiento adecuado. La abertura para la toma de aire fresco del exterior debe ser de, por lo menos, 25 pulgadas cuadradas (163 cm²).
- Es importante que el espacio libre entre el conducto y cualquier material de construcción combustible sea de, al menos, 2 pulgadas (5 cm) y que, cuando la secadora ventile al exterior, se instale la secadora dejando un espacio libre de, al menos, 1 pulgada (2,5 cm) a ambos lados y en la parte trasera de la secadora.
- Tenga en cuenta que los materiales de ventilación no se proveen con la secadora. Debe obtener los materiales de ventilación necesarios para una instalación adecuada.

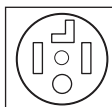
⚠ ADVERTENCIA

Conecte el cable de alimentación al bloque de bornes. Cada alambre de color debe conectarse al tornillo del mismo color. El alambre del color indicado en el manual se conecta al tornillo del bloque del mismo color. Si no se siguen estas instrucciones, se podría producir un cortocircuito o una sobrecarga.

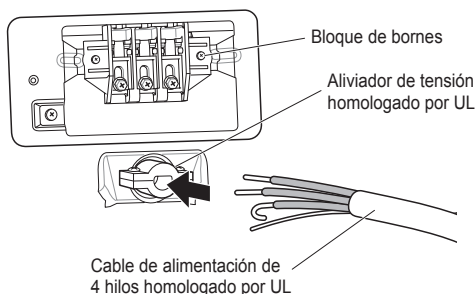
La conexión a tierra a través del conductor neutro está prohibido para: (1) nuevas instalaciones de circuito derivado, (2) casas móviles, (3) vehículos recreativos y (4) áreas donde los códigos locales prohíban una conexión a tierra a través del conductor neutro.

Cable de alimentación de cuatro hilos

- Se requiere una conexión de 4 hilos en todas las instalaciones de casas móviles y prefabricadas, así como en todas las construcciones nuevas posteriores al 1 de enero de 1996.
- Se requiere un aliviador de tensión homologado por UL.
- Use un cable de alimentación de 30 amperios, 240 voltios, de 4 hilos homologado por UL con un conductor de cobre N.º 10 AWG como mínimo y terminales de bucle cerrado o de horquilla con extremos doblados hacia arriba.



- 1 Quite la cubierta de acceso al bloque de bornes localizada en la parte superior trasera de la secadora.
- 2 Instale un aliviador de tensión homologado por UL en el orificio por el que pasa el cable de alimentación.
- 3 Pase un cable de alimentación de 30 amperios, 240 voltios, de 4 hilos homologado por UL con un conductor de cobre N.º 10 AWG como mínimo por el aliviador de tensión.

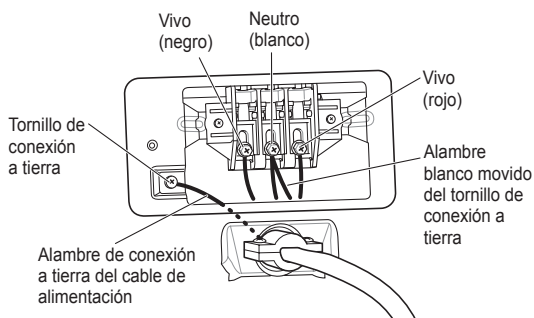


- 4 Transfiera el alambre de conexión a tierra de la secadora desde detrás del tornillo de conexión a tierra de color verde al tornillo central del bloque de bornes.

NOTA

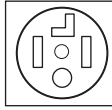
Esta secadora se proporciona con el alambre neutro conectado a tierra. Este alambre conectado a tierra de color blanco DEBE MOVERSE al terminal neutro si se utilizará un cable de 4 hilos o si se prohíbe la conexión a tierra a través del conductor neutro.

- 5 Conecte los dos conductores vivos del cable de alimentación a los tornillos exteriores del bloque de bornes.
- 6 Conecte el alambre neutro de color blanco al tornillo central del bloque de bornes.
- 7 Conecte el alambre de conexión a tierra del cable de alimentación al tornillo de conexión a tierra de color verde.
- 8 Ajuste bien todos los tornillos.
- 9 Reinstale la cubierta de acceso al bloque de bornes.



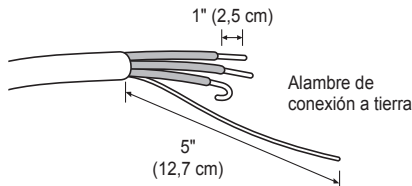
Conexión directa de cuatro hilos

- Se requiere una conexión de 4 hilos en todas las instalaciones de casas móviles y prefabricadas, así como en todas las construcciones nuevas posteriores al 1 de enero de 1996.

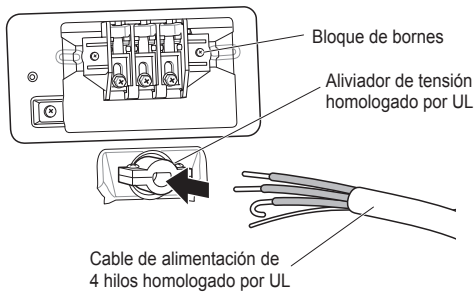


- Se requiere un aliviador de tensión homologado por UL.
- Use un cable conductor de cobre de 4 hilos homologado por UL N.º 10 AWG como mínimo. Deje un mínimo de 5 pies (1,5 m) de longitud de cable para poder retirar y reinstalar la secadora.

- Retire 5 pulgadas (12,7 cm) de la cubierta exterior del alambre. Retire 5 pulgadas (12,7 cm) del material aislante del alambre de conexión a tierra. Corte aproximadamente 1½ pulgadas (3,8 cm) de los otros tres alambres y quite 1 pulgada (2,5 cm) del material aislante de cada uno. Doble los extremos de los tres alambres más cortos en forma de gancho.



- Quite la cubierta de acceso al bloque de bornes localizada en la parte superior trasera de la secadora.
- Instale un aliviador de tensión homologado por UL en el orificio por el que pasa el cable de alimentación.
- Pase el cable de alimentación de cobre de 4 hilos N.º 10 AWG como mínimo que preparó en el paso 1 por el aliviador de tensión.

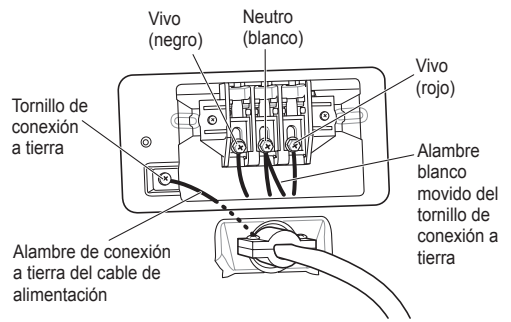


- Transfiera el alambre de conexión a tierra de la secadora desde detrás del tornillo de conexión a tierra de color verde al tornillo central del bloque de bornes.

NOTA

Esta secadora se proporciona con el alambre neutro conectado a tierra. Este alambre conectado a tierra de color blanco DEBE MOVERSE al terminal neutro si se utilizará un cable de 4 hilos o si se prohíbe la conexión a tierra a través del conductor neutro.

- Conecte los dos conductores vivos del cable de alimentación a los tornillos exteriores del bloque de bornes.
- Conecte el alambre neutro de color blanco al tornillo central del bloque de bornes.
- Conecte el alambre de conexión a tierra del cable de alimentación al tornillo de conexión a tierra de color verde.
- Ajuste bien todos los tornillos.
- Reinstale la cubierta de acceso al bloque de bornes.



⚠ ADVERTENCIA

Conecte el cable de alimentación al bloque de bornes. Cada alambre de color debe conectarse al tornillo del mismo color. El alambre del color indicado en el manual se conecta al tornillo del bloque del mismo color. Si no se siguen estas instrucciones, se podría producir un cortocircuito o una sobrecarga.

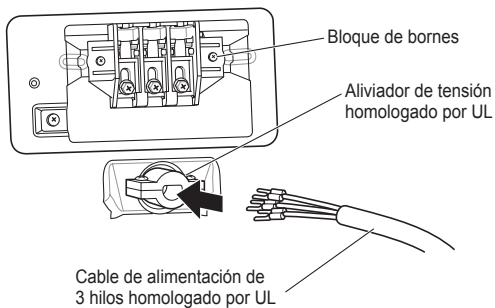
La conexión a tierra a través del conductor neutro está prohibido para: (1) nuevas instalaciones de circuito derivado, (2) casas móviles, (3) vehículos recreativos y (4) áreas donde los códigos locales prohíban una conexión a tierra a través del conductor neutro.

Cable de alimentación de tres hilos

- NO se permite una conexión de 3 hilos en construcciones nuevas posteriores al 1 de enero de 1996.
- Se requiere un aliviador de tensión homologado por UL.
- Use un cable de alimentación de 30 amperios, 240 voltios, de 3 hilos homologado por UL con un conductor de cobre N.º 10 AWG como mínimo y terminales de bucle cerrado o de horquilla con extremos doblados hacia arriba.



- 1 Quite la cubierta de acceso al bloque de bornes localizada en la parte superior trasera de la secadora.
- 2 Instale un aliviador de tensión homologado por UL en el orificio por el que pasa el cable de alimentación.
- 3 Pase un cable de alimentación de 30 amperios, 240 voltios, de 3 hilos homologado por UL con un conductor de cobre N.º 10 AWG como mínimo por el aliviador de tensión.



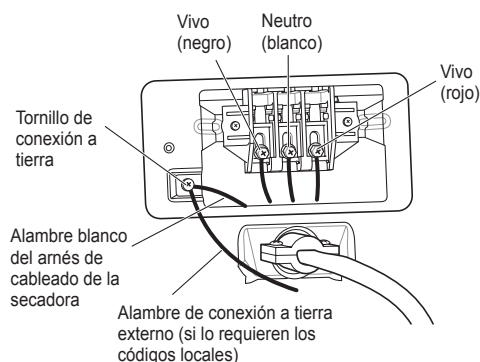
- 4 Conecte los dos conductores vivos (negro y rojo) del cable de alimentación a los tornillos exteriores del bloque de bornes.

- 5 Conecte el alambre neutro (blanco) al tornillo central del bloque de bornes.

NOTA

La secadora se proporciona con el alambre neutro conectado a tierra. Si se utilizará un cable de 3 hilos, y su uso está permitido, asegúrese de que el alambre de conexión a tierra neutro de color blanco se conecte al tornillo de conexión a tierra de color verde.

- 6 Conecte el cable de conexión a tierra exterior (si así lo requieren los códigos locales) al tornillo de conexión a tierra de color verde.
- 7 Ajuste bien todos los tornillos.
- 8 Reinstale la cubierta de acceso al bloque de bornes.

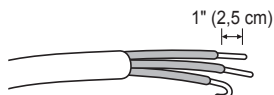


Conexión directa de tres hilos

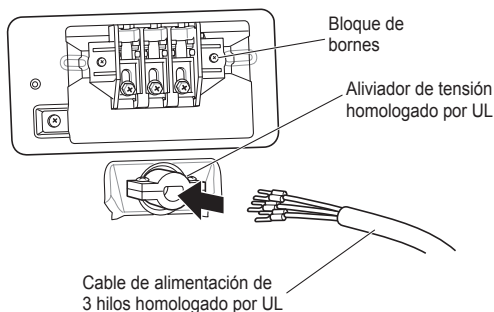
- NO se permite una conexión de 3 hilos en construcciones nuevas posteriores al 1 de enero de 1996.
- Se requiere un aliviador de tensión homologado por UL.
- Use un cable conductor de cobre de 3 hilos homologado por UL N.º 10 AWG como mínimo. Deje un mínimo de 5 pies (1,5 m) de longitud de cable para poder retirar e instalar la secadora.



- 1 Retire 3½ pulgadas (8,9 cm) de la cubierta exterior del alambre. Pele 1 pulgada (2,5 cm) del material aislante de cada alambre. Doble los extremos de los tres alambres en forma de gancho.



- 2 Quite la cubierta de acceso al bloque de bornes localizada en la parte superior trasera de la secadora.
- 3 Instale un aliviador de tensión homologado por UL en el orificio por el que pasa el cable de alimentación.
- 4 Pase el cable de alimentación de 3 hilos conductores de cobre N.º 10 AWG como mínimo que preparó en el paso 1 por el aliviador de tensión.



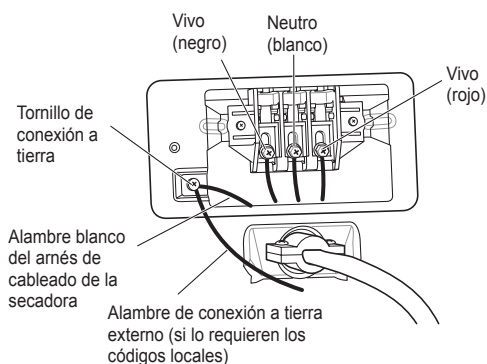
- 5 Conecte los dos conductores vivos (negro y rojo) del cable de alimentación a los tornillos exteriores del bloque de bornes.
- 6 Conecte el alambre neutro (blanco) al tornillo central del bloque de bornes.

NOTA

La secadora se proporciona con el alambre neutro conectado a tierra. Si se utilizará un cable de 3 hilos, y su uso está permitido, asegúrese de que el alambre de conexión a tierra neutro de color blanco se conecte al tornillo de conexión a tierra de color verde.

- 7 Conecte el cable de conexión a tierra exterior (si así lo requieren los códigos locales) al tornillo de conexión a tierra de color verde.
- 8 Ajuste bien todos los tornillos.

- 9 Reinstale la cubierta de acceso al bloque de bornes.



Revisión final de la instalación

Una vez que haya completado la instalación de la secadora y esta se encuentre en su ubicación definitiva, verifique si funciona correctamente realizando las siguientes pruebas y la Prueba de instalación (Revisión de conductos) de la siguiente página.

Prueba de calentamiento de la secadora

MODELOS DE GAS

Cierre la puerta de la secadora, presione el botón **POWER** para encenderla e inicie el equipo en un ajuste de calor. Cuando la secadora inicie, el dispositivo de ignición deberá encender el quemador principal.

MODELOS ELÉCTRICOS

Cierre la puerta de la secadora, presione el botón **POWER** para encenderla e inicie el equipo en un ajuste de calor. El aire de escape deberá estar tibio después de que la secadora haya funcionado durante 3 minutos.

Revisión del flujo de aire

El funcionamiento efectivo de la secadora requiere de un flujo de aire adecuado. La adecuación del flujo de aire puede medirse evaluando la presión estática. La presión estática del conducto de escape se puede medir con un manómetro, colocado en el conducto de escape a aproximadamente 2 pies (60,9 cm) de distancia de la secadora. La presión estática del conducto de escape no debe superar las 0,6 pulgadas (1,5 cm). Se debe revisar la secadora mientras está funcionando sin carga.

Revisión de nivelado

Una vez que la secadora se encuentre en su ubicación definitiva, vuelva a revisar que esté nivelada. Asegúrese de que está nivelada de adelante hacia atrás y de lado a lado, y de que las cuatro patas niveladoras estén firmemente asentadas en el piso.

Comprobación de la ventilación

Debe comprobarse si hay acumulaciones de pelusa en el conducto de ventilación y limpiarlo al menos una vez al año. Si se produce cualquier reducción apreciable en el rendimiento del secado, compruebe los conductos en busca de obstrucciones y bloqueos.

Prueba de instalación (Revisión de conductos)

Después de completar la instalación de la secadora, haga esta prueba para asegurarse de que las condiciones del sistema de escape sean las adecuadas para el funcionamiento correcto de la secadora. Esta prueba debe realizarse para indicarle si existe algún problema grave en el sistema de escape de su casa.

- Su secadora cuenta con Flow Sense™, un sistema innovador que detecta automáticamente los bloqueos y las restricciones en los conductos de la secadora. Mantener los conductos sin acumulación de pelusa y sin restricciones le permitirá secar la ropa más rápido y reducir el uso de energía.

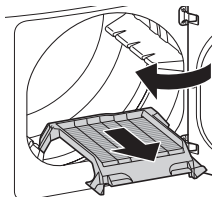
NOTA

La secadora debe estar fría antes de comenzar esta prueba. Si la secadora se calentó durante la instalación, ejecute el ciclo AIR DRY durante unos minutos para reducir la temperatura interna.

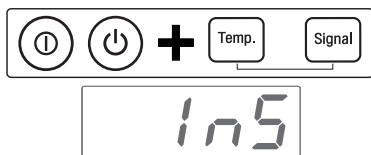
Para activar la prueba de instalación:

1 Retire la rejilla de secado y la documentación, y cierre la puerta.

No cargue nada en el tambor para hacer esta prueba, ya que podría influir en la precisión de los resultados.



2 Pulse y mantenga pulsado los botones POWER, TEMP y Signal hasta que se alterne **1n5** y una cuenta de uso en la pantalla, (La cuenta de uso indica el número de ciclos corridos sin carga durante los últimos 5 ciclos)



3 Pulse el botón INICIO/PAUSA

La secadora correrá la prueba, la cual durará unos 2 minutos. El Calor se encenderá y las temperaturas en el tambor se medirán y mostrarán. Suena una campana cuando la porción de prueba del ciclo se completa.



4 Verifique la pantalla para ver los resultados.

Durante el ciclo de prueba, observe la pantalla de Flow Sense™ en el panel de control. Si cuando termina el ciclo no se observan barras, el sistema de escape está en condiciones adecuadas. Si el sistema de escape está notoriamente restringido, el icono mostrará cuatro barras. Si existen otros problemas, estos se indicarán con códigos de error. Consulte la página siguiente para ver más detalles sobre los códigos de error y sus soluciones.



Flow Sense

SIN BARRAS:
ADECUADO



Flow Sense

CUATRO BARRAS:
RESTRINGIDO

Cuatro barras indican que el sistema de escape está notoriamente restringido. Haga revisar el sistema de inmediato, ya que el funcionamiento será deficiente.

5 Finalización del ciclo.

Al finalizar el ciclo de prueba, se mostrará un **End**. El ciclo de prueba terminará y la secadora se apagará automáticamente luego de un retraso corto.



- **Chequee el código de error antes de llamar al servicio técnico.**

Código de error	Causas posibles	Soluciones
tE1 o tE2	<ul style="list-style-type: none"> • Fallo del sensor de temperatura. 	<ul style="list-style-type: none"> • Apague la secadora y llame al servicio técnico.
HS	<ul style="list-style-type: none"> • Fallo del sensor de Humedad 	<ul style="list-style-type: none"> • Apague la secadora y llame al servicio técnico.
PS o PF o nP	<ul style="list-style-type: none"> • El cable eléctrico de la secadora no está conectado correctamente, o el suministro eléctrico de la casa es incorrecto. • Se han fundido los fusibles, ha saltado el circuito automático o se ha producido un corte de suministro eléctrico. 	<ul style="list-style-type: none"> • Chequee el suministro eléctrico o la conexión del cable de electricidad al bloque terminal. Diríjase a la sección "Conectando Secadoras Eléctricas" de este manual para instrucciones completas. • Reinstale el circuito o reemplace los fusibles. No aumente la capacidad de los fusibles.
gAS	<ul style="list-style-type: none"> • El suministro o servicio de gas se ha desconectado. (Solo para los modelos de gas). 	<ul style="list-style-type: none"> • Confirme que la llave de gas de la casa y la llave de gas de la secadora están completamente abiertas.

• **Verifique las condiciones del conducto**

Si el LED de Flow Sense™ está encendido, revise el sistema de escape para verificar que no haya restricciones ni daños. Repare o reemplace el sistema de escape según sea necesario.

NOTA

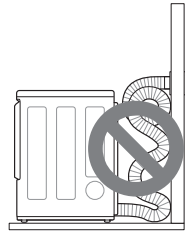
Cuando recién se instale la secadora, debe realizarse esta prueba para que esté informado acerca de la presencia de cualquier problema relacionado con el conducto de escape de su casa. Sin embargo, puesto que la prueba realizada durante un funcionamiento normal ofrece información más precisa sobre el estado del conducto de escape que la prueba de instalación, la cantidad de barras visualizadas durante las dos pruebas puede no ser la misma.

No interrumpa el ciclo de prueba, ya que si lo hace, la prueba puede arrojar resultados inexactos.

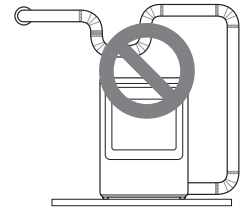
Aunque no se haya visualizado ninguna barra durante el ciclo de prueba, aún puede haber restricciones en el sistema de escape. Consulte la sección **Ventilación de la secadora** de este manual para obtener detalles sobre el sistema de escape y los requisitos de ventilación.

Flujo de aire restringido o bloqueado

Evite tendidos largos o con muchos codos o curvas.

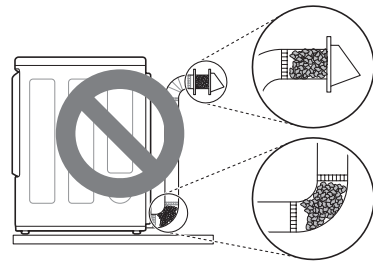


Conducto de transición muy largo o apretado



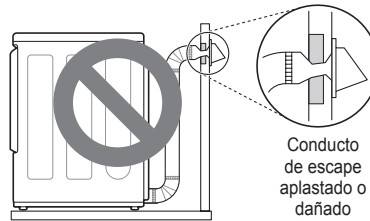
Demasiado largo o con demasiados codos

Compruebe la presencia de bloqueos y acumulación de pelusa.



Acumulación de pelusa o bloqueo

Asegúrese de que los conductos no estén aplastados ni restringidos.



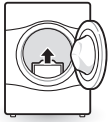
Conducto de escape aplastado o dañado

FUNCIONAMIENTO

ADVERTENCIA

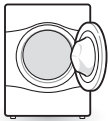
Para reducir el riesgo de incendio, descargas eléctricas o lesiones personales, lea este manual por completo, incluso las INSTRUCCIONES IMPORTANTES DE SEGURIDAD, antes de operar esta secadora.

Cómo usar la secadora



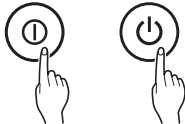
1 Limpie el filtro de pelusa

Si el filtro de pelusa no se ha limpiado aún, extráigalo y elimine las pelusas de la última carga. Esto le ayudará a asegurar un rendimiento de secado más rápido y eficiente. Asegúrese de volver a instalar el filtro, colocándolo en su lugar y presionando hacia abajo hasta que haga clic. La secadora no funcionará si el filtro de pelusa no está en su lugar.



2 Cargue la secadora

Cargue en la secadora la carga húmeda de la lavadora. Si la carga es muy grande, es posible que deba dividirla en cargas más pequeñas para obtener un buen rendimiento y cuidar los tejidos.



3 Encienda la secadora

Presione el botón POWER para ENCENDER la secadora. Las luces LED de los ciclos se encenderán y se emitirá un sonido.



4 Seleccione un ciclo

Gire el mando del selector de ciclo en cualquier sentido hasta que se ilumine el LED del ciclo que desee. Se mostrarán los ajustes preestablecidos de temperatura, nivel de secado y opción para este ciclo. Consulte la página 40.

Los ajustes predeterminados para el ciclo seleccionado podrán cambiarse ahora si lo desea. Esto puede llevarse a cabo utilizando los botones modificadores de ciclo tal y como se muestra en la página 38. Las opciones de ciclo pueden añadirse utilizando los botones de opción tal y como se muestra en la página 42-43.

NOTA

No todas las opciones ni modificadores están disponibles para todos los ciclos. Se escuchará un sonido diferente y la luz LED no se iluminará si la selección no está permitida.



5 Inicie el ciclo

Presione el botón **START/PAUSE** para iniciar el ciclo. El ciclo puede pausarse en cualquier momento abriendo la puerta o presionando el botón **START/PAUSE**. Si el ciclo no vuelve a iniciarse tras 60 minutos, la secadora se apagará y los ajustes se perderán.



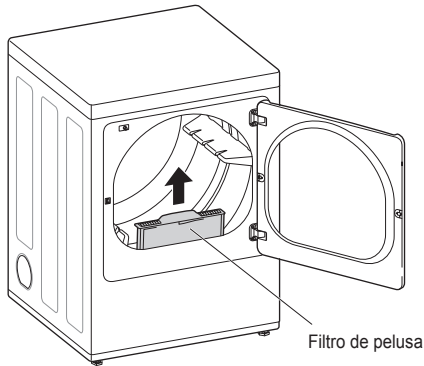
6 Fin del ciclo

Al finalizar el ciclo, se emitirá un sonido. Retire inmediatamente sus prendas de la secadora para reducir las arrugas. Si tiene seleccionada la función Prevención de arrugas, la secadora hará un breve centrifugado cada pocos minutos para ayudar a prevenir la formación de arrugas en sus prendas.

Revise el filtro de pelusa antes de cada carga

Asegúrese siempre de que el filtro de pelusa esté limpio antes de iniciar una carga nueva; un filtro de pelusa bloqueado incrementará los tiempos de secado. Para limpiarlo, tire del filtro de pelusa hacia arriba y, con los dedos, haga rodar las pelusas para retirarlas del filtro. No enjuague ni lave el filtro para eliminar las pelusas. Empuje el filtro de pelusa firmemente para colocarlo en su lugar. Consulte la sección **Limpieza regular** para obtener más información.

Asegúrese siempre de que el filtro de pelusa esté instalado correctamente antes de poner en funcionamiento la secadora. Hacer funcionar la secadora sin el filtro o con el filtro de pelusa suelto podría dañar la secadora y las prendas en su interior.



Clasificación de cargas

Etiquetas de cuidado de los tejidos

La mayoría de las prendas contienen etiquetas de cuidado de los tejidos que incluyen instrucciones para un cuidado adecuado.

Etiquetas de cuidado de los tejidos

Secado por centrifugado

Seco	Normal	Planchado permanente/ antiarrugas
Suave/ delicado	No secar por centrifugado	No secar (utilizado junto a "no lavar")

Ajuste de calor

Alto	Medio	Bajo	Sin calor/aire

Agrupe prendas similares

Para lograr mejores resultados, clasifique las prendas en cargas que puedan secarse con el mismo ciclo de secado.

Los diferentes tipos de tejidos tienen diferentes requisitos de cuidado y algunos tejidos se secarán más rápido que otros. Para lograr los mejores resultados de cuidado de tejidos, siempre agrupe los tejidos que tengan los mismos requisitos de cuidado.

Carga de la secadora

⚠ ADVERTENCIA

Para reducir el riesgo de incendio, descargas eléctricas o lesiones personales al usar este equipo, siga las precauciones básicas, incluso lo siguiente:

- Revise todos los bolsillos para asegurarse de que estén vacíos. Los artículos como clips, bolígrafos, monedas y llaves pueden dañar su secadora y su ropa. Los objetos inflamables, como encendedores o fósforos podrían encenderse y provocar un incendio. Si esto no se cumple, se podrá producir una explosión, un incendio o la muerte.
- Nunca seque prendas que hayan sido expuestas a aceite, gasolina u otras sustancias inflamables. Lavar las prendas no eliminará completamente los residuos de aceite. Si no se obedece esta advertencia, se puede producir un incendio, una explosión o la muerte.

NOTA

Consejos para la carga

- Combine prendas grandes y pequeñas en una misma carga.
- Las prendas húmedas se expandirán cuando se sequen. No sobrecargue la secadora; las prendas necesitan de espacio para girar y secarse adecuadamente.
- Cierre las cremalleras, los ganchos y los cordones para evitar que estos artículos se enganchen o enreden en otras prendas.

Uso de la función LG EasyLoad™

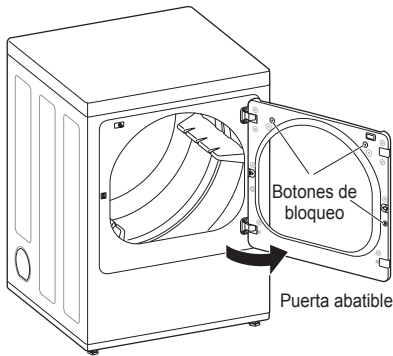
Puerta abatible

Utilice la puerta abatible para cargar o descargar prendas más voluminosas y así para tener un fácil acceso al tambor.

Para abrir la puerta abatible, tome la parte superior de la puerta del lado contrario a las bisagras y tire.

NOTA

Asegúrese de que el dispositivo de apertura de la puerta de apertura superior esté completamente cerrado antes de usar la puerta abatible.



⚠ ADVERTENCIA

No presione los tres botones de bloqueo cuando la puerta esté abierta. La puerta podría caerse y ocasionar lesiones graves.

- **No coloque objetos pesados ni se apoye contra la parte superior de la puerta cuando esta esté abierta.**

La secadora podría volcarse hacia adelante y ocasionar lesiones o daños a la propiedad.

Puerta de apertura superior (en algunos modelos)

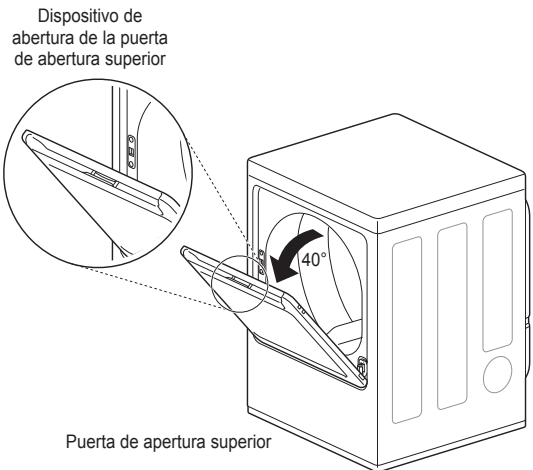
La puerta de tipo cesto se abre de aproximadamente 40 grados y actúa como un conducto para ayudarle a colocar la ropa en el tambor y evitar que las prendas caigan al suelo. También es práctica para la descarga de pocas prendas pequeñas, ya que ayuda a evitar que las demás prendas caigan al suelo.

Para abrir la puerta de apertura superior, presione el dispositivo de apertura que se encuentra en la parte superior de la puerta y tire la puerta hacia adelante.

Asegúrese de que las prendas estén dentro del tambor antes de cerrar la puerta.

NOTA

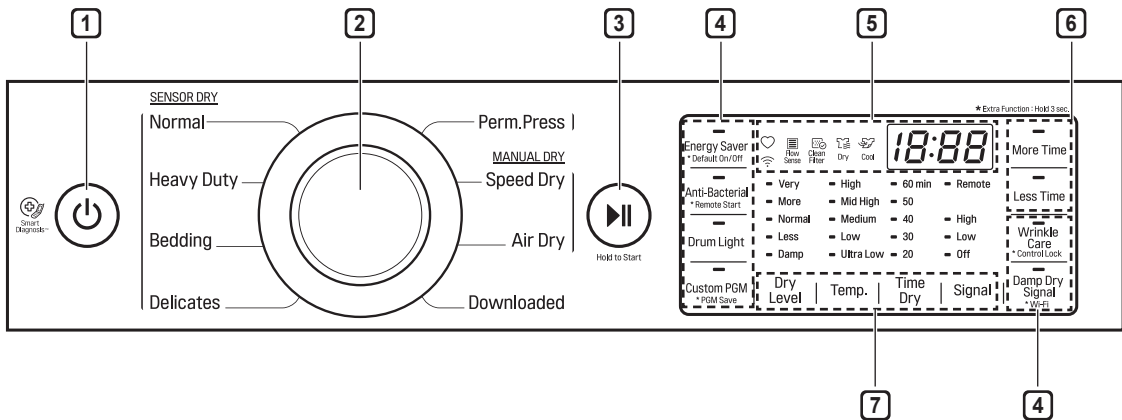
Asegúrese de que la cerradura de la puerta abatible esté completamente cerrada antes de presionar el dispositivo de apertura de la puerta de apertura superior.



⚠ ADVERTENCIA

- No intente abrir la puerta de apertura superior en un ángulo superior a 40 grados.
- Tenga cuidado al abrir y cerrar la puerta. Los dedos y las manos pueden quedar atrapados en la puerta y se pueden producir lesiones si la puerta se cae hacia adelante de manera inesperada.

Panel de control



1 Botón POWER (Encendido)

Presione para ENCENDER la secadora. Presione nuevamente para APAGAR la secadora.

NOTA

Si presiona el botón **POWER** durante un ciclo, se cancelará dicho ciclo y los ajustes de la carga se perderán.

2 Perilla Selecto Ra De Ciclos

Gire esta perilla para seleccionar el ciclo deseado. Una vez que se haya seleccionado el ciclo deseado, los preajustes estándar se mostrarán en la pantalla. En los ciclos de Secado Manual (Manual Dry) se pueden programar estos ajustes usando los botones de ajuste de ciclos en cualquier momento antes de iniciar el ciclo.

3 Botón START/PAUSE (Inicio/Pausa)

Presione este botón para iniciar el ciclo seleccionado. Si la secadora está funcionando, use este botón para pausar el ciclo sin perder los ajustes actuales.

NOTA

Si no presiona el botón **START/PAUSE** para reanudar un ciclo tras 60 minutos, la secadora se apagará de forma automática.

4 Botones de opciones de ciclo

Los botones de opciones le permiten seleccionar opciones de ciclo adicionales. Algunos botones también le permiten activar funciones especiales si se los mantiene presionados durante 3 segundos.

5 Pantalla de visualización de tiempo y estado

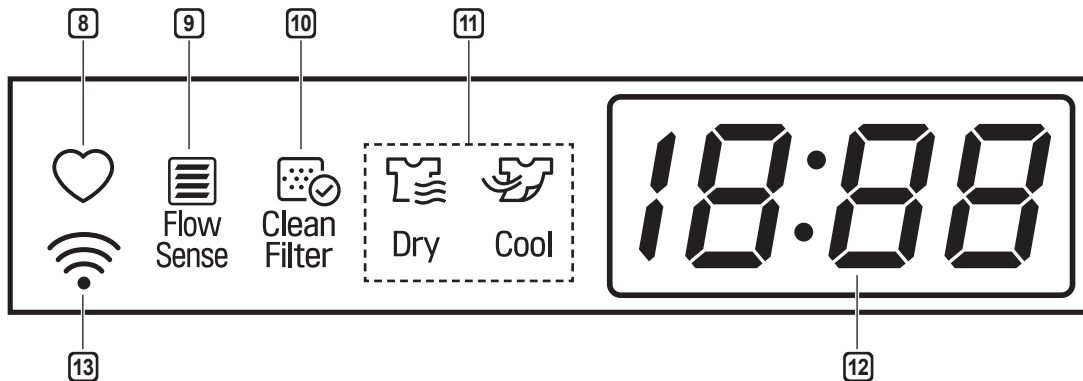
La pantalla muestra los ajustes, el tiempo restante estimado, las opciones y los mensajes de estado de su secadora.

6 Botones MORE TIME/LESS TIME (Más tiempo/Menos tiempo)

Use estos botones con los ciclos Time Dry y MANUAL DRY para ajustar el tiempo de secado. Presione el botón **More Time** para aumentar el tiempo del ciclo manual seleccionado en intervalos de 1 minuto; presione el botón **Less Time** para disminuir el tiempo del ciclo en intervalos de 1 minuto.

7 Botones de modificación de ciclo

Use estos botones para seleccionar los ajustes de ciclo deseados para el ciclo seleccionado. Los ajustes actuales se muestran en la pantalla. Presione el botón de la opción para seleccionar otros ajustes.



8 Custom PGM (Programa personalizado)

Si usted usa una combinación especial de ajustes con frecuencia, puede guardar estos ajustes como un programa personalizado.

9 Indicador del sistema de detección de bloqueo del conducto Flow Sense™

El sistema de detección de bloqueo del conducto Flow Sense™ detecta y alerta en el caso de que haya bloqueos en los conductos domésticos que reduzca el flujo de escape de la secadora. El mantenimiento de un sistema de escape limpio mejora la eficacia de funcionamiento y ayuda a minimizar las llamadas al servicio técnico, lo que le permite ahorrar dinero.

10 Recordatorio de limpieza de filtro

La pantalla indicará Clean Filter (Limpiar filtro) cuando la secadora está encendida como recordatorio para revisar el filtro. Se apaga cuando se presiona el botón **START/PAUSE**.

11 Indicador de fin de ciclo con recordatorio de verificación de filtro

Esta parte de la pantalla muestra la etapa del ciclo de secado que se está llevando a cabo actualmente (Dry, Cool).

12 Tiempo restante estimado

Esta pantalla muestra el tiempo restante estimado de los ciclos SENSOR DRY o el tiempo restante efectivo de los ciclos Time Dry o MANUAL DRY.

NOTA

El tiempo del ciclo en los ciclos SENSOR DRY puede variar, ya que la secadora vuelve a calcular el tiempo de secado para obtener óptimos resultados.

13 Indicador de Wi-Fi

Cuando el electrodomestico este conectado a Internet a través de la red Wi-Fi de su hogar, aparecerá este indicador.

Guía de ciclos

■ = configuración por defecto
○ = opción permisible de

Ciclo	Tipo de tela	Nivel de secado	Temp.	Tiempo	Más tiempo/ Menos tiempo	Anti-bac- terial	Cuidado de arrugas	Sonido de secado húmedo	El ahorro de energía
Ropa de cama (Bedding)	Acolchados, almohadas, camisas.	Normal seco	Media	55					
		Regulable							
Secado Intenso (Heavy Duty)	Vaqueros, prendas pesadas.	Normal seco	Alta	54		○	○	○	
		Regulable							
Normal (Normal)	Ropa de trabajo, pana, etc.	Normal seco	Media	Elec : 57 Gas : 63		○	○	○	○
		Regulable							
Planchado Perm. (Perm. Press)	Prendas sintéticas, planchado permanente.	Normal seco	Baja	32			○	○	
		Regulable							
Delicado (Delicates)	Lencería, sábanas, blusas	Normal seco	Baja	28			○	○	
		Regulable							
Secado Rápido (Speed Dry)	Para poca carga con tiempos de secado cortos.	Auto	Alta	25	○		○		
			Regulable	Regulable					
Secado Por Aire (Air Dry)	Para prendas que no precisan calor, por llevar plástico o goma	Apagado	Sin Calor	30	○		○		
				Regulable					

Ciclos de secado con sensor (sensor dry)

Los ciclos de secado con sensor utilizan el sistema exclusivo de sensor doble de LG para detectar y comparar el nivel de humedad en las prendas y en el aire, y programar el tiempo de secado del modo necesario para asegurar resultados superiores. La secadora ajusta automáticamente el nivel de sequedad y temperatura del ajuste recomendado para cada ciclo. El tiempo restante estimado se mostrará en la pantalla.

NOTA

Para proteger sus prendas, no todos los niveles, temperatura u opciones están disponible con cada ciclo. Consulte la **guía de ciclos** para los detalles.

Descarga

Si ha descargado un ciclo a través de la aplicación LG Smart ThinQ, el mismo se almacenará en la posición de ciclo descargado. Escoja el ciclo descargado para ponerlo en funcionamiento.

Ciclos de secado manual (manual dry)

Use los ciclos de secado manual para seleccionar una cantidad específica de tiempo y temperatura de secado. Cuando se selecciona el ciclo de secado manual, la pantalla de Tiempo Restante Estimado (Estimated Time Remaining) muestra el tiempo restante real en su ciclo. Puede cambiar el tiempo real en el ciclo apretando Más Tiempo (More Time) o Menos Tiempo (Less Time).



CERTIFICADO POR NSF/P154

NSF International (anteriormente, National Sanitation Foundation, Fundación Nacional de Saneamiento), certifica que el ciclo de desinfección **Anti Bacterial** reduce el 99,9% de las bacterias presentes en la colada y que no se transmitirá ninguna bacteria a la siguiente carga.

- Los ajustes predeterminados para el ciclo **Anti Bacterial** son temperatura **Alta(High)** y secado **Muy Seco(Very Dry)**. Estos ajustes predeterminados no se pueden cambiar.
- NO utilice este ciclo para prendas o tejidos delicados.

Ajustes y opciones de ciclo

Botones de modificación de ciclo

Los ciclos SENSOR DRY tienen ajustes predefinidos que se seleccionan de manera automática. Los ciclos MANUAL DRY tienen ajustes predeterminados, pero también pueden personalizarse a través de los botones de modificación de ciclo. Presione el botón de la opción deseada para visualizar y seleccionar otros ajustes.

Dry Level

Selecciona el nivel de sequedad para el ciclo. Presione el botón **Dry Level** repetidas veces para deslizar por los ajustes disponibles.

- Esta opción solo está disponible con los ciclos SENSOR DRY.
- La secadora ajustará el tiempo del ciclo de forma automática. Si se selecciona More Dry o Very Dry aumentará el tiempo del ciclo, mientras que Less Dry o Damp Dry disminuirá el tiempo del ciclo.
- Use un ajuste Less Dry o Damp Dry para las prendas que desee planchar.

Temp.

Regula el ajuste de temperatura. Esto permite el cuidado preciso de sus tejidos y prendas. Presione el botón **Temp.** repetidas veces para deslizar por los ajustes disponibles.

Time Dry

Permite seleccionar el tiempo de secado de forma manual, de 20 a 60 minutos, en incrementos de 10 minutos. Use esta opción para cargas pequeñas o para eliminar arrugas.

More Time/Less Time

Use los botones **More Time/Less Time** para aumentar o disminuir el tiempo de secado de un ciclo MANUAL DRY en incrementos de 1 minuto.

Signal (Option)

Presione el botón **Signal (Option)** repetidas veces para modificar el volumen o para encender o apagar los tonos de los botones y la melodía de fin de ciclo.

Botones de opciones de ciclo

Su secadora cuenta con varias opciones de ciclo adicionales para personalizar los ciclos y satisfacer sus necesidades individuales. Algunos botones de opciones también incorporan una función especial (ver la siguiente página para obtener más detalles) que puede activarse al mantener presionado el botón de dicha opción durante 3 segundos.

Para añadir opciones de ciclo a un ciclo:

- 1** Encienda la secadora y gire la perilla para seleccionar el ciclo deseado.
- 2** Use los botones de ajuste de ciclo para fijar los ajustes para ese ciclo.
- 3** Presione los botones de opciones de ciclo para añadir la opción deseada. Aparecerá un mensaje de confirmación en la pantalla.
- 4** Presione el botón **START/PAUSE** para iniciar el ciclo. La secadora iniciará de forma automática.

Wrinkle Care

Al seleccionar esta opción, la secadora hará un centrifugado periódico por un período de hasta 3 horas después del ciclo seleccionado o hasta que se abra la puerta. Esto ayuda a prevenir la formación de arrugas cuando no le sea posible retirar las prendas de la secadora inmediatamente.

Damp Dry Signal

Con esta opción, la secadora le indicará cuando la carga esté aproximadamente 80 % seca. Esta función le permite retirar las prendas livianas que se secan más rápidamente o las que desee planchar o colgar mientras aún se encuentren húmedas.

Funciones especiales

Algunos botones de opciones de ciclo también activan funciones secundarias. Estas funciones especiales están indicadas con un asterisco (*). Mantenga presionado el botón de opción que indica la función especial para activarla.

Drum Light (Iluminación del tambor)

El tambor está equipado con una luz LED azul que se ilumina cuando la secadora es encendida. La luz de apaga automáticamente cuando la puerta se cierra y el ciclo inicia. Para encender la luz durante el ciclo, presione el botón de DRUM LIGHT (Iluminación de tambor). La luz del tambor se iluminará y luego se apagará automáticamente después de cuatro minutos.

* Control Lock (Bloqueo de control)

Use esta opción para evitar un uso no deseado de la secadora o para evitar modificaciones en los ajustes de ciclo mientras la secadora está en funcionamiento.

Mantenga presionado el botón con la indicación **Control Lock** durante 3 segundos para activar o desactivar la función Control Lock. Se mostrará el icono Control Lock en la pantalla y se desactivarán todos los controles, excepto el botón **POWER**.

NOTA

Una vez que se fija, la función Control Lock permanece activa hasta que se desactive de forma manual. Se debe desactivar la función Control Lock para ejecutar otro ciclo. Para desactivar Control Lock, mantenga presionado el botón **Control Lock** durante 3 segundos.

Energy Saver (sur certains modèles)

Esta opción ayuda a reducir el consumo de energía en el ciclo Normal según el tamaño de la carga. Cuando se seleccione el ahorro de energía, el ciclo comienza con una sección de secado por aire y se aumenta el tiempo de secado.

NOTA

La opción Energy Saver se activa de forma predeterminada en el ciclo Normal. Puede desactivar la opción de ahorro de energía para un ciclo Normal mas rapido que comienza con secado caliente.

* Activado/Desactivado por defecto (Default On/Off)

Esta opción permite la configuración de Ahorro de Energía para ser cambiados.

Para ejecutar un ciclo Normal y sin la opción de Ahorro de Energía, mantenga presionado durante tres segundos el botón de Ahorro de Energía.

En la pantalla aparece Activado o Desactivado.

Custom PGM

Si usted usa una combinación especial de ajustes con frecuencia, puede guardar estos ajustes como un programa personalizado.

Para guardar un programa personalizado:

- 1 Encienda la secadora y gire la perilla para seleccionar el ciclo deseado.
- 2 Use los botones de ajuste de ciclo para configurar los ajustes para ese ciclo.
- 3 Presione los botones de opciones de ciclo para añadir la opción deseada. Aparecerá un mensaje de confirmación en la pantalla.
- 4 Mantenga presionado el botón **Custom PGM** durante 3 segundos.

NOTA

Puede guardar solo un programa personalizado por vez. Si mantiene presionado el botón **Custom PGM**, se reescribirá el programa personalizado guardado.

Para recuperar un programa personalizado:

- 1 Encienda la secadora.
- 2 Presione el botón **Custom PGM**.
- 3 Presione el botón **START/PAUSE** para iniciar el ciclo.

FUNCIONES INTELIGENTES

Instalación de la aplicación

Busque la aplicación LG Smart ThinQ en el Google Play Store con un teléfono inteligente. Siga las instrucciones para descargar e instalar la aplicación.

Registro del producto

- 1 Inicie la aplicación LG Smart ThinQ con un teléfono inteligente.
- 2 Cree una cuenta e inicie sesión.
- 3 Seleccione **Registrar**.
- 4 Seleccione **Secadora de carga superior**.
- 5 Siga las instrucciones del teléfono inteligente para registrar el electrodoméstico y conectarlo a una red Wi-Fi.
 - Para verificar la conexión Wi-Fi, compruebe que el icono del Wi-Fi (📶) del panel de control esté encendido.

NOTA

- LG Smart ThinQ no se hace responsable de problemas, fallos, mal funcionamiento o errores causados por la conexión de la red.
- El equipo solo es compatible con redes Wi-Fi de 2,4 GHz.
- Si el electrodoméstico tiene problemas para conectarse a la red Wi-Fi, podría estar demasiado lejos del router. Adquiera un repetidor de Wi-Fi (amplificador de cobertura) para mejorar la potencia de la señal Wi-Fi.
- La conexión Wi-Fi podría no funcionar o ser interrumpida debido al entorno de red doméstica.
- Según el proveedor de servicios de Internet, la conexión de la red puede no funcionar correctamente.
- El entorno inalámbrico circundante puede hacer que el servicio de red inalámbrica funcione con lentitud.
- Esta información está actualizada en el momento de su publicación.
- La aplicación está sujeta a cambios con fines de mejora del electrodoméstico sin previo aviso para los usuarios.

Uso de la función Wi-Fi

Comuníquese con el electrodoméstico desde un teléfono inteligente utilizando funciones inteligentes.

Uso de la aplicación

- 1 Seleccione el electrodoméstico en la aplicación.
- 2 Seleccione el menú de la parte superior derecha para acceder a ajustes y funciones.

Ciclo de Secadora (Inicio remoto + Descargar ciclo)

Inicio remoto

Use un teléfono inteligente para controlar el electrodoméstico de forma remota. O controle el funcionamiento del ciclo para ver el tiempo restante del mismo.

NOTA

- Primero debe registrar el electrodoméstico y conectarse a una puerta de enlace para poder usar la función Inicio remoto.

Uso del Inicio remoto

- 1 Mantenga presionado el botón INICIO REMOTO. El LED remoto del panel de control se iluminará.
- 2 Inicie un ciclo desde la aplicación en un teléfono inteligente. Si el ciclo no comienza, la máquina esperará para iniciar el ciclo hasta que se apague o se desactive el modo Inicio remoto.

Descargar ciclo

Descargue ciclos nuevos y especiales que no están incluidos en los ciclos básicos del electrodoméstico. Los electrodomésticos correctamente registrados pueden descargar una amplia variedad de ciclos especiales específicos del electrodoméstico. Solo es posible almacenar un ciclo en el electrodoméstico cada vez. Cuando Descargar ciclo finalice en la Secadora, el producto conservará el ciclo descargado hasta que se descargue un nuevo ciclo.

NOTA

- Primero debe registrar el electrodoméstico y conectarse a una puerta de enlace para poder usar la función Descargar ciclo.

Alertas push (Mensaje inteligente)

Cuando finaliza el ciclo o el electrodoméstico tiene algún problema, puede recibir notificaciones “push” en un teléfono inteligente.

NOTA

- Primero debe registrar el electrodoméstico y conectarse a una puerta de enlace para poder usar la función Alertas push.

Smart Diagnosis™

Esta función proporciona información útil para diagnosticar y solucionar problemas del electrodoméstico según el patrón de uso.

NOTE

- Primero debe registrar el electrodoméstico y conectarse a una puerta de enlace para poder usar la función Smart Diagnosis.

Monitoreo de energía

El uso que hace la Secadora de la energía está afectado por el ciclo y las opciones, por lo que es posible que observe algunos cambios en el uso de la energía según el ciclo utilizado.

NOTA

- Primero debe registrar el electrodoméstico y conectarse a una puerta de enlace para poder usar la función Monitoreo de energía.

MANTENIMIENTO

Limpieza regular

⚠ ADVERTENCIA

Para reducir el riesgo de incendio, descargas eléctricas o lesiones personales al usar este equipo, siga las precauciones básicas, incluso lo siguiente:

- **Desenchufe la secadora antes de la limpieza para evitar el riesgo de descargas eléctricas. Si no se cumple con esta advertencia, se podrán producir lesiones graves, incendios, descargas eléctricas o la muerte.**
- **Al limpiar la secadora, nunca utilice sustancias químicas fuertes, limpiadores abrasivos ni solventes.** Dañarán su acabado.

Limpieza del exterior

El mantenimiento adecuado de su secadora puede prolongar su vida útil. La parte exterior de la máquina puede limpiarse con agua tibia y un detergente para el hogar suave, no abrasivo. Limpie inmediatamente cualquier derrame con un paño suave y húmedo.

NOTA

- No use alcohol metílico, solventes ni productos similares.
- Nunca use limpiadores abrasivos o de lana metálica; pueden dañar la superficie.

Limpieza del interior

Limpie con un paño alrededor de la abertura y el sello de la puerta con un paño suave y húmedo para prevenir la acumulación de pelusa y polvo que podrían dañar el sello de la puerta.

Limpie la ventana con un paño suave humedecido con agua tibia y un detergente para el hogar suave, no abrasivo; luego, seque con un paño.

Se puede limpiar el tambor de acero inoxidable con un limpiador para acero inoxidable convencional según las especificaciones del fabricante. Nunca use limpiadores abrasivos ni de lana metálica; pueden rayar o dañar la superficie.

Limpieza alrededor de la secadora y debajo de ella

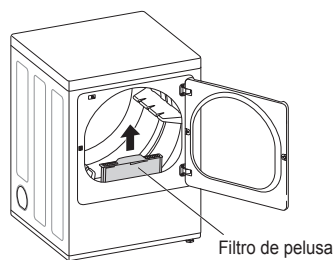
Aspire la pelusa y el polvo alrededor de la secadora y debajo de ella con regularidad. Se debe revisar que los conductos de ventilación no tengan acumulación de pelusa y se deben limpiar, al menos, una vez por año. Si se percibe una reducción notoria del flujo de aire o del desempeño de secado, revise los conductos de inmediato para verificar que no estén bloqueados ni tengan obstrucciones.

Mantenimiento de los conductos

Se deben revisar los conductos de ventilación para verificar que no tengan acumulación de pelusa una vez por mes y se deben limpiar, al menos, una vez por año. Si se percibe una reducción notoria del flujo de aire o del desempeño de secado, revise los conductos de inmediato para verificar que no estén bloqueados ni tengan obstrucciones. Llame a un técnico calificado o a un proveedor de servicios de mantenimiento.

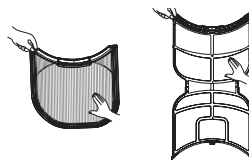
Limpieza del filtro de pelusa

Limpie siempre el filtro de pelusa después de cada ciclo.

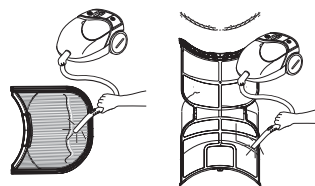


Para limpiarlo, abra la puerta de la secadora y tire del filtro de pelusa hacia arriba. Luego:

- 1 En el caso de una limpieza diaria, con los dedos, haga rodar las pelusas para retirarlas del filtro.



- 2 aspire el filtro de pelusa.



- 3 Si el filtro de pelusa se ha ensuciado mucho o se ha obstruido con suavizante de ropa, lávelo en agua tibia jabonosa y déjelo secar completamente antes de volverlo a colocar.



NOTA

NUNCA haga funcionar la secadora sin haber colocado antes el filtro de pelusa. NUNCA haga funcionar la secadora con un filtro de pelusa húmedo.

SOLUCIÓN DE PROBLEMAS

Preguntas frecuentes

P: Cuando presiono un botón, ¿por qué la secadora emite un pitido y luego no sucede nada?

R: La función Control Lock está activada. Para desactivar Control Lock, encienda la secadora y, luego, mantenga presionado el botón con la indicación *Control Lock en él o debajo de él durante 3 segundos.

P: ¿Por qué la secadora tarda tanto tiempo en secar la ropa?

R: Un adecuado flujo de aire es esencial para la eficacia del funcionamiento de las secadoras de ropa. Un filtro de pelusa lleno de pelusa o tapado con una capa de residuos de suavizante para ropa puede reducir el flujo de aire a tal punto que el tiempo de secado puede incrementarse en gran medida. Otro factor que afecta el tiempo de secado es el sistema de escape de su casa. Un sistema de escape sucio y repleto de pelusa o demasiado extenso debe ser limpiado o reparado por un profesional.

P: ¿Por qué la secadora se inicia sola cada pocos minutos?

R: Así es como funciona la función Wrinkle Care. La secadora funciona por poco tiempo cada pocos minutos durante un período de hasta 3 horas después de que finaliza el ciclo. Esta función está diseñada para ayudar a prevenir la formación de arrugas cuando la secadora no se descarga de inmediato luego de que el ciclo finaliza.

Antes de llamar al servicio técnico

Su secadora está equipada con un sistema de monitoreo de errores automático para la detección y el diagnóstico de problemas en una etapa temprana. Si su secadora no funciona correctamente o no funciona en absoluto, consulte la siguiente información antes de llamar al servicio técnico.

Funcionamiento

Problema	Causa posible	Soluciones
El indicador Flow Sense™ permanece activo después de haber limpiado la obstrucción en el sistema de ventilación.	Luego de haber limpiado la obstrucción, el sistema Flow Sense™ requiere múltiples ciclos consecutivos para determinar que el valor de rendimiento ha mejorado antes de que el indicador Flow Sense™ vuelva a iniciarse.	Si el indicador Flow Sense™ permanece activo durante más de cinco ciclos tras haber limpiado la obstrucción, llame al servicio técnico.
La secadora no se enciende.	El cable de alimentación no está bien enchufado. Se ha quemado el fusible de la casa, se ha disparado el disyuntor o ha habido un corte de energía.	Asegúrese de que el enchufe esté conectado firmemente en una toma de corriente con conexión a tierra que coincida con la placa de datos de servicio. Restablezca el disyuntor o reemplace el fusible. No aumente la capacidad del fusible. Si el problema es una sobrecarga del circuito, solicite los servicios de un electricista calificado.
La secadora no calienta.	Se ha quemado el fusible de la casa, se ha disparado el disyuntor o ha habido un corte de energía. El suministro o el servicio de gas están apagados (solo para modelos de gas). La opción de ahorro de energía (Energy Saver) está seleccionada (sur certains modèles)	Restablezca el disyuntor o reemplace el fusible. No aumente la capacidad del fusible. Si el problema es una sobrecarga del circuito, solicite los servicios de un electricista calificado. NOTA A causa del diseño de las secadoras eléctricas, es posible que un problema de circuito permita que la secadora funcione sin calor. Verifique que las válvulas de corte del suministro de gas de la secadora y de la casa estén abiertas por completo. Incluso si no se está suministrando gas a la secadora, esta funcionará y mostrará códigos de error. Verifique que los otros aparatos de gas de la casa estén funcionando normalmente. Si utiliza el ciclo Algodón/Normal, desactive la opción de ahorro de energía. La opción de ahorro de energía se selecciona de forma predeterminada y permite reducir el consumo de energía, ya que incorpora una sección de secado por aire al comienzo del ciclo. Es normal que sienta que la secadora no calienta al comienzo del ciclo cuando el modo de ahorro de energía está seleccionado.
La pantalla muestra el código de error nP	El cable de alimentación de la secadora eléctrica no está conectado Correctamente o el Suministro eléctrico de la casa no es el correcto.	Verifique el suministro de energía o la conexión del cable de alimentación con el bloque de bornes.
La pantalla muestra el código de error gAS	Se ha apagado el suministro o servicio de gas (solo modelos a gas).	Confirme que la válvula de corte de gas de la vivienda y la válvula de corte de gas de la secadora estén completamente abiertas.

Problema	Causa posible	Soluciones
<p>La ropa tarda demasiado tiempo en secarse.</p>	<p>Los conductos de escape están bloqueados, sucios o el tendido de los conductos es demasiado extenso.</p> <p>La carga no está clasificada correctamente.</p>	<p>Verifique que los conductos de escape se encuentren configurados correctamente y no tengan desechos, pelusa ni obstrucciones. Asegúrese de que los reguladores de tiro de la pared exterior se abran adecuadamente y no estén bloqueados, atascados ni dañados.</p> <p>Separe las prendas pesadas de las livianas. Las prendas más grandes y pesadas tardan más tiempo en secarse. Una carga con prendas pesadas y livianas puede engañar al sensor porque las prendas livianas se secan más rápido.</p>
<p>La ropa tarda demasiado tiempo en secarse.</p>	<p>Carga grande de tejidos pesados.</p> <p>No se han ajustado adecuadamente los controles de la secadora.</p> <p>Es necesario limpiar el filtro de pelusa.</p> <p>Se ha quemado el fusible de la casa, se ha disparado el disyuntor o ha habido un corte de energía.</p> <p>La secadora está sobrecargada.</p> <p>La secadora tiene muy poca carga.</p>	<p>Los tejidos pesados tardan más tiempo en secarse, ya que tienden a retener más humedad. Para ayudar a reducir y mantener tiempos de secado más constantes para tejidos pesados y de mayor tamaño, separe estas prendas en cargas más pequeñas de un tamaño similar.</p> <p>Use los ajustes de control adecuados para el tipo de carga que esté secando. Algunas cargas requieren un ajuste en la configuración de nivel de secado para un secado adecuado.</p> <p>Elimine la pelusa del filtro antes de cada carga. Una vez que haya eliminado las pelusas, sostenga el filtro a contraluz para ver si está sucio o tapado. Con algunas cargas que producen mucha pelusa, como toallas de baño nuevas, puede ser necesario pausar el ciclo y limpiar el filtro durante el ciclo.</p> <p>Restablezca el disyuntor o reemplace el fusible. No aumente la capacidad del fusible. Si el problema es una sobrecarga del circuito, solicite los servicios de un electricista calificado.</p> <div style="border: 1px solid black; padding: 5px; margin-top: 10px;"> <p>NOTA</p> <p>A causa del diseño de las secadoras eléctricas, es posible que un problema de circuito permita que la secadora funcione sin calor.</p> </div> <p>Divida las cargas grandes en cargas más pequeñas para realizar el secado.</p> <p>Si está secando una carga muy pequeña, añada algunas prendas adicionales para asegurar una acción de giro apropiada. Si la carga es muy pequeña y está utilizando los ciclos SENSOR DRY, es posible que el control electrónico no detecte correctamente el nivel de sequedad de la carga y se apague antes de tiempo. Use la función TIME DRY o agregue ropa húmeda adicional a la carga.</p>


Problema	Causa posible	Soluciones
La ropa tarda demasiado tiempo en secarse.	La opción de ahorro de energía (Energy Saver) está seleccionada (sur certains modèles)	Si utiliza el ciclo Algodón/Normal, desactive la opción de ahorro de energía. Esta opción permite reducir el consumo de energía, ya que incorpora una sección de secado por aire al comienzo del ciclo.
El tiempo de secado no es constante.	Los ajustes de calor, el tamaño de la carga o la humedad de la ropa no son constantes.	El tiempo de secado de una carga variará según el ajuste de calor, el tipo de calor utilizado (eléctrico, gas natural o gas LP), el tamaño de la carga, el tipo de tejido, el nivel de humedad de las prendas y la condición de los conductos de escape y el filtro de pelusa. Incluso una carga desequilibrada en una lavadora puede producir un centrifugado deficiente, lo que resulta en ropa más húmeda que tarda más tiempo en secarse.


Rendimiento

Problema	Causa posible	Soluciones
Manchas de grasa o suciedad en la ropa.	No se usó correctamente el suavizante de ropa.	Confirme y siga las instrucciones provistas por el fabricante del suavizante.
	Se están secando juntas ropa limpia y sucia.	Use la secadora para secar prendas limpias solamente. La suciedad de la ropa sucia puede transferirse a la ropa limpia en la misma carga o en cargas posteriores.
	La ropa no se lavó ni se enjuagó correctamente antes de colocarse en la secadora.	Las manchas de la ropa seca pueden ser manchas que no se eliminaron durante el proceso de lavado. Asegúrese de que la ropa esté completamente limpia o enjuagada de acuerdo con las instrucciones de su lavadora y su detergente. Algunos tipos de suciedad requieren un tratamiento previo antes de lavarse.
La ropa está arrugada.	La ropa se secó durante demasiado tiempo (secado excesivo).	El secado excesivo de la ropa puede dar como resultado ropa arrugada. Intente seleccionar un tiempo de secado menor o un ajuste LESS DRY y retire las prendas cuando aún tengan un poco de humedad.
	La ropa se dejó en la secadora durante demasiado tiempo después de que el ciclo acabó.	Use la opción WRINKLE CARE. Esta función volteará la ropa cada pocos minutos en un período de hasta 3 horas para ayudar a prevenir la formación de arrugas.
La ropa se encoge.	No se siguen las instrucciones de cuidado de la prenda.	Para evitar que la ropa se encoja, consulte y respete siempre las instrucciones de cuidado de los tejidos. Algunos tejidos se encogen naturalmente cuando se los lava. Otros tejidos se pueden lavar, pero se encogen cuando se secan en una secadora. Use un ajuste de calor bajo o sin calor.
Pelusa en las prendas.	No se limpió bien el filtro de pelusa.	Elimine la pelusa del filtro antes de cada carga. Una vez que haya eliminado las pelusas, sostenga el filtro a contraluz para ver si está sucio o tapado. Si se ve sucio, siga las instrucciones para limpiarlo. Con algunas cargas que producen mucha pelusa, puede ser necesario limpiar el filtro durante el ciclo.
	La ropa no se clasificó correctamente.	Algunos tejidos producen pelusas (p. ej.: una toalla de algodón peluda blanca) y deben secarse separadas de prendas que atrapen pelusa (p. ej.: un par de pantalones de lino negro).
Pelusa en las prendas.	Ropa con exceso de estática.	Use un suavizante de ropa para reducir la electricidad estática. Asegúrese de seguir las instrucciones del fabricante. El exceso de secado de la ropa puede producir una acumulación de estática. Ajuste las configuraciones y utilice un tiempo de secado menor o use los ciclos SENSOR DRY.
	La secadora está sobrecargada.	Divida las cargas muy grandes en cargas más pequeñas para realizar el secado.
	Pañuelos de papel, papeles, etc., en los bolsillos.	Revise bien los bolsillos antes de lavar y secar la ropa.

Problema	Causa posible	Soluciones
<p>Exceso de estática en la ropa después del secado.</p>	<p>No se usó suavizante de ropa o no se lo usó adecuadamente.</p>	<p>Use suavizante de ropa o la opción STATIC SHIELD, si su secadora la incluye, para reducir la electricidad estática. Asegúrese de seguir las instrucciones del fabricante.</p>
	<p>La ropa se secó durante demasiado tiempo (secado excesivo).</p>	<p>El exceso de secado de la ropa puede producir una acumulación de estática. Ajuste las configuraciones y utilice un tiempo de secado menor o use los ciclos AUTO DRY. Seleccione un ajuste LESS DRY en los ciclos SENSOR DRY si fuera necesario.</p>
	<p>Secado de telas sintéticas, planchado permanente o combinación de materiales sintéticos.</p>	<p>Estos tejidos tienden a acumular estática naturalmente. Intente usar un suavizante de ropa o use el ajuste LESS DRY y/o ajustes de tiempo menores en TIME DRY.</p>
<p>La ropa tiene manchas de humedad después de un ciclo SENSOR DRY.</p>	<p>Carga demasiado grande o demasiado pequeña.</p> <p>Una sola prenda grande, como una sábana o una colcha.</p>	<p>Si las prendas están muy apretadas o son demasiado escasas, el sensor puede tener problemas para leer el nivel de sequedad de la carga. Use un ciclo Time Dry para las cargas muy pequeñas.</p> <p>Las prendas más grandes y voluminosas, como las sábanas o las colchas, a veces pueden enroscarse entre ellas y formar una gran bola de tela. Las capas externas se secarán y los sensores las registrarán, mientras que el centro permanecerá húmedo. Cuando seque una sola prenda voluminosa, puede ayudar pausar el ciclo una o dos veces y disponer de otro modo la prenda para desenroscarla y exponer las áreas húmedas.</p> <p>Para secar algunas prendas húmedas de una carga muy grande o en el caso de que haya algunas manchas de humedad en una sola prenda voluminosa luego de que un ciclo del sensor haya terminado, limpie la trampa de pelusa y seleccione un ciclo Time Dry para terminar de secar las prendas.</p>

Códigos de error

Problema	Causa posible	Soluciones
Código de error: tE1 a tE7.	Falla del sensor de temperatura.	Apague la secadora y llame al servicio técnico.
La pantalla muestra el código de error: PS (solo para secadoras eléctricas).	El cable de alimentación no está bien conectado.	Revise la conexión del cable de alimentación al bloque de bornes.
<p>* El indicador de Flow Sense™ muestra cuatro barras durante el ciclo de secado o la pantalla indica "d80" después del secado.</p> <p>* Esta luz de advertencia no se debe a una falla de la secadora y no está cubierta por la garantía de la secadora. Comuníquese con un servicio de limpieza de tuberías para que limpien e inspeccionen su sistema de escape.</p>	<p>El sistema de escape es muy extenso o tiene muchas vueltas u obstrucciones.</p> <p>Hay un bloqueo parcial de los conductos debido a la acumulación de pelusa u otro objeto extraño.</p> <p>El aparato ha detectado una obstrucción en la ventilación exterior de la secadora.</p>	<p>Instale un tendido de conductos más corto o más recto. Consulte las Instrucciones de instalación para obtener más detalles.</p> <p>Deben revisarse o limpiarse los conductos de inmediato. La secadora puede utilizarse en estas condiciones, pero los tiempos de secado serán más prolongados y el consumo de energía aumentará.</p> <p>Si el sistema Flow Sense™ detecta restricciones en el escape, el indicador permanecerá encendido durante 2 horas después del fin del ciclo. Al abrir la puerta o presionar el botón POWER, se apagará la pantalla.</p>
El indicador Flow Sense™ permanece activo después de haber limpiado la obstrucción en el sistema de ventilación.	Luego de haber limpiado la obstrucción, el sistema Flow Sense™ requiere múltiples ciclos consecutivos para determinar que el valor de rendimiento ha mejorado antes de que el indicador Flow Sense™ vuelva a iniciarse.	Si el indicador Flow Sense™ permanece activo durante más de cinco ciclos tras haber limpiado la obstrucción, llame al servicio técnico.
 <p>Clean Filter</p> <p>La luz indicadora está encendida durante el ciclo de secado.</p>	No se limpió bien el filtro de pelusa.	Elimine la pelusa del filtro antes de cada carga. Una vez que haya eliminado las pelusas, sostenga el filtro a contraluz para ver si está sucio o tapado. Si se ve sucio, siga las instrucciones para limpiarlo. Con algunas cargas que producen mucha pelusa, puede ser necesario limpiar el filtro durante el ciclo.

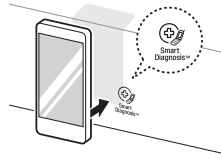
Problema	Causa posible	Soluciones
<p>La pantalla indica d90, d95.</p> 	<p>Los conductos están bloqueados en un 90 %-95 %. (El código de error “d90” o “d95” se muestra solo durante 2 horas).</p> <p>El sistema de escape de la casa está bloqueado.</p>	<p>No utilice la secadora hasta que el sistema de escape haya sido limpiado y/o reparado. Utilizar la secadora con un escape notoriamente restringido es peligroso y podría ocasionar un incendio u otros daños a la propiedad.</p> <p>Revise la ventilación exterior cuando la secadora está funcionando para asegurarse de que el flujo de aire sea potente.</p> <p>Si el sistema de escape es extremadamente largo, hágalo reparar o desviar.</p> <p>Mantenga la zona alrededor de la secadora limpia y libre de residuos.</p> <p>Revise la campana de ventilación para comprobar si está dañada o tapada con pelusas.</p> <p>Asegúrese de que la zona alrededor de la campana de ventilación esté despejada.</p>

SMART DIAGNOSIS™



Si experimenta algún problema con su secadora, esta tiene la capacidad de transmitir datos a su teléfono inteligente a través de la aplicación Smart Laundry de LG o a través de su teléfono al centro de atención de LG.

Smart Diagnosis™ no puede activarse a menos que su secadora se encienda presionando el botón **POWER**. Si su secadora no puede encenderse, deberán resolverse los problemas sin usar Smart Diagnosis™.



Uso de Smart Diagnosis™

Smart Diagnosis™ con su teléfono inteligente

- 1 Descargue la aplicación Smart Laundry & DW de LG en su teléfono inteligente.
- 2 Abra la aplicación Smart Laundry de LG en su teléfono inteligente. Presione el botón con la flecha hacia la derecha para avanzar a la siguiente página.
- 3 Presione el botón Record de su teléfono y luego sostenga el micrófono del teléfono cerca del logotipo de Smart Diagnosis™ de la secadora.
- 4 Con el teléfono en esa posición, mantenga presionado el botón Temp. durante 3 segundos.
- 5 Mantenga el teléfono allí hasta que la transmisión de tonos haya terminado. La pantalla mostrará una cuenta regresiva.
- 6 Cuando la grabación esté completa, visualice el diagnóstico presionando el botón Next en el teléfono.

NOTA

- Las diferencias en la calidad del llamado según la región pueden afectar la función.
- Use un teléfono fijo para una mejor comunicación, lo que permitirá un mejor servicio.
- Una llamada deficiente puede causar una transmisión de datos deficiente de su teléfono a la máquina, lo que podría producir que Smart Diagnosis™ funcione mal.

Smart Diagnosis™ a través del centro de atención

- 1 Llame al centro de atención de LG al: (LG EE. UU.) 1-800-243-0000 (LG Canadá) 1-888-542-2623.
- 2 Cuando el agente del centro de atención se lo indique, sostenga el micrófono de su teléfono sobre el logotipo Smart Diagnosis™ de la máquina. Sostenga el teléfono a no más de una pulgada de la máquina (pero sin tocarla).

NOTA

No toque ningún otro botón ni icono de la pantalla.

- 3 Mantenga presionados los botones Temp. durante 3 segundos.
- 4 Mantenga el teléfono allí hasta que la transmisión de tonos haya terminado. La pantalla mostrará una cuenta regresiva.
- 5 Una vez que la cuenta regresiva haya terminado y se hayan detenido los tonos, reanude su conversación con el agente del centro de atención, que podrá, entonces, ayudarlo a usar la información transmitida para un análisis.

NOTA

- Para obtener resultados óptimos, no mueva el teléfono mientras se transmitan los tonos.
- Si el agente del centro de atención no puede obtener una grabación precisa de los datos, es posible que le pida que lo intente nuevamente.

GARANTÍA (EE. UU.)

Si su secadora LG (el "Producto") fallara debido a defectos de materiales o de fabricación en el uso doméstico normal, durante el período de garantía que se establece a continuación, LG tendrá la opción de reparar o reemplazar el producto. Esta garantía limitada solo es válida para el comprador minorista original del producto y será vigente solo cuando se compre y use dentro de los Estados Unidos y de los territorios estadounidenses. Se exige el comprobante de compra minorista original para solicitar servicio por garantía según esta garantía limitada.

Período de garantía	Alcance de la garantía	CÓMO SE MANEJA EL SERVICIO TÉCNICO
Un (1) año a partir de la fecha de compra minorista original	Piezas y mano de obra	LG suministrará las piezas y la mano de obra para reparar o reemplazar las piezas defectuosas.
Diez (10) años a partir de la fecha de compra minorista original	Tambor de la secadora	10 años de garantía en secador de tambor, incluyendo partes y mano de obra.

- Los productos y las piezas de repuesto están garantizados durante el tiempo restante del período original de garantía o noventa (90) días, lo que resulte mayor.
- Los productos y las piezas de repuesto pueden ser nuevos o reparados.

ESTA GARANTÍA REEMPLAZA CUALQUIER OTRA GARANTÍA, EXPRESA O IMPLÍCITA, LO QUE INCLUYE SIN LÍMITE, LAS GARANTÍAS DE APTITUD COMERCIAL O IDONEIDAD PARA UN FIN EN PARTICULAR. SALVO POR LAS GARANTÍAS IMPLÍCITAS EXIGIDAS POR LA LEY, ES DE DURACIÓN LIMITADA AL PERÍODO DE GARANTÍA EXPRESA MENCIONADO ANTERIORMENTE. NI EL FABRICANTE NI SU DISTRIBUIDOR EN LOS ESTADOS UNIDOS SERÁN RESPONSABLES DE NINGÚN DAÑO INCIDENTAL, EMERGENTE, INDIRECTO NI PUNITIVO DE NINGÚN TIPO, LO QUE INCLUYE SIN LÍMITE, INGRESOS O GANANCIAS PERDIDOS O CUALQUIER OTRO DAÑO CONTRACTUAL, EXTRA CONTRACTUAL O DE OTRO TIPO.

Algunos estados no permiten la exclusión o limitación de daños incidentales o emergentes, o limitaciones a la duración de la garantía implícita, por lo que la exclusión o limitación anteriormente mencionadas podrían no corresponder en su caso. Esta garantía le otorga derechos legales específicos y es posible que usted cuente con otros derechos que varían según el estado.

ESTA GARANTÍA LIMITADA NO CUBRE LO SIGUIENTE:

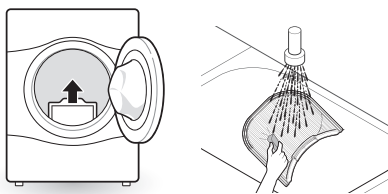
- Viajes del servicio técnico para entregar, buscar, o instalar o reparar el producto; instrucciones al cliente sobre la operación del producto; reparación o reemplazo de fusibles o corrección de cableado o fontanería, o corrección de reparaciones/instalaciones no autorizadas.
- Incapacidad del producto para funcionar debido a fallas e interrupciones del suministro eléctrico, o a un servicio eléctrico inadecuado.
- Daños causados por tuberías de agua rotas o con fugas, tuberías de agua congeladas, líneas de drenaje restringidas, suministro de agua inadecuado o interrumpido, o suministro de aire inadecuado.
- Daños resultantes de operar el producto en una atmósfera corrosiva o contraria a las instrucciones esbozadas en el manual del propietario del producto.
- Daños al producto causados por accidentes, pestes y alimañas, rayos, viento, incendio, inundaciones o hechos de fuerza mayor.
- Daños o fallas causados por modificaciones o alteraciones no autorizadas, o si se usa para otro fin que no sea el previsto, o por fugas de agua donde la unidad no se haya instalado correctamente.
- Daños o fallas causados por corriente o voltaje eléctricos incorrectos, o por códigos de fontanería, por uso comercial o industrial, o por uso de accesorios, componentes o productos de limpieza consumibles no aprobados por LG.
- Daños causados por el transporte y el manejo, incluye rayas, muescas, astillado y otros daños al acabado del producto, a menos que tales daños resulten de defectos de los materiales o de la fabricación y se informen dentro del plazo de una (1) semana de la entrega.
- Daños o artículos faltantes a productos reacondicionados, comprados con descuento, con la caja abierta o que hayan estado en exhibición.
- Productos cuyos números de serie originales hayan sido retirados, alterados o no se puedan determinar fácilmente. Los números de serie y de modelo, junto con el comprobante de venta minorista original, son necesarios para validar la garantía.
- Aumentos en los costos de los servicios públicos y otros gastos adicionales de dichos servicios.
- Reparaciones cuando el producto se use de otra forma que no sea uso doméstico usual y normal (p. ej., uso comercial, en oficinas e instalaciones recreativas) o contraria a las instrucciones esbozadas en el manual del propietario del producto.
- Costos asociados con el retiro del producto de su casa para realizar reparaciones.
- El retiro y la reinstalación del producto si está instalado en un lugar inaccesible o no está instalado de acuerdo con las

instrucciones de instalación publicadas, lo que incluye los manuales de instalación y del propietario de LG.

- Daños resultantes de mal uso, abuso, instalación, reparación o mantenimiento incorrectos. Una reparación incorrecta incluye el uso de piezas no aprobadas o especificadas por LG.

El filtro está tapado.

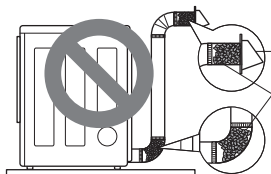
- La secadora no calienta, tiempo de secado prolongado.



- Limpie el filtro de pelusa.

El conducto está tapado.

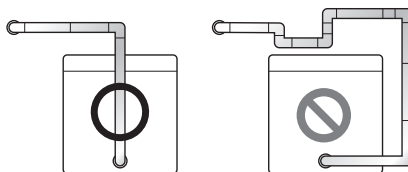
- La secadora no calienta, tiempo de secado prolongado.



- Limpie la campana y el conducto.

Conducto demasiado largo y/o con múltiples codos.

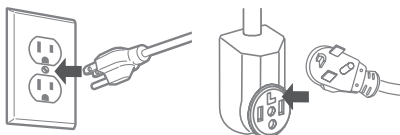
- La secadora no calienta, tiempo de secado prolongado.



- Mantenga los conductos de escape lo más cortos que sea posible y use la menor cantidad de codos y curvas como le sea posible.

Cable de alimentación mal conectado o problema con la toma de corriente eléctrica.

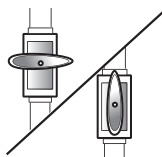
- Sin corriente
- No calienta



- Vuelva a conectar el cable de alimentación, reemplace el fusible de la casa o vuelva a iniciar el disyuntor. Si el problema es la toma de corriente, es probable que necesite llamar a un electricista.

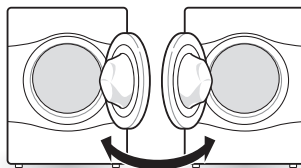
La válvula de gas no está abierta. (Secadora de gas).

- No calienta



- Abra la válvula de gas.

Inversión de la puerta.



- Las instrucciones para la inversión de la puerta pueden encontrarse en el manual del usuario.

El costo de la reparación o el reemplazo en estas circunstancias excluidas estará a cargo del consumidor.

PARA OBTENER SERVICIO EN GARANTÍA E INFORMACIÓN ADICIONAL

Para obtener más información sobre el producto, visite el sitio web de LG en <http://www.lg.com>

Para obtener ayuda sobre el uso de este producto o para programar un servicio técnico, comuníquese con LG Electronics al 1-800-243-0000 (EE. UU.).

Para obtener más información, escriba a: LG Electronics, 201 James Record Road, Huntsville, Alabama 35813



This product qualifies for ENERGY STAR in the "factory default (Home Use)" setting. Changing the factory default settings or enabling other features may increase power consumption that could exceed the limits necessary to qualify for ENERGY STAR.

LG Customer Information Center

1-800-243-0000 USA

1-888-542-2623 CANADA

Register your product Online!

www.lg.com