



HE²

Electric Dryer

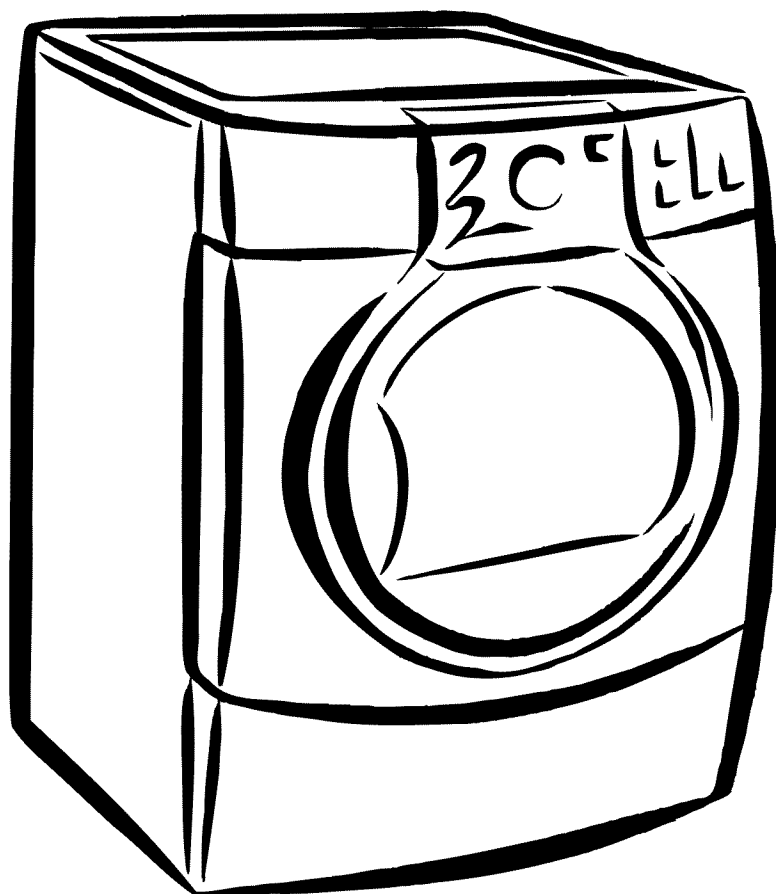
Use & Care Guide

Secadora eléctrica

Manual de uso y cuidado

Models/Modelos **110.8756***, 8757*, 8758*, 8856*, 8857*, 8858*

* = color number/número de color



ENGLISH ESPAÑOL

TABLE OF CONTENTS

PROTECTION AGREEMENTS.....	2
WARRANTY.....	3
DRYER SAFETY.....	4
INSTALLATION INSTRUCTIONS.....	5
Tools and Parts.....	5
Optional Pedestal.....	5
Location Requirements.....	5
Electrical Requirements.....	8
Electrical Connection.....	9
Venting Requirements.....	14
Plan Vent System.....	15
Install Vent System.....	16
Install Leveling Legs.....	16
Connect Vent.....	16
Level Dryer.....	16
Reverse Door Swing.....	17
Complete Installation.....	18
DRYER USE.....	19
Starting Your Dryer.....	19
Stopping or Restarting Your Dryer.....	20
Lock Controls.....	20
Drying and Cycle Tips.....	20
Status Lights.....	21
Cycles.....	21
Modifiers.....	22
Options.....	23
Changing Cycles, Options and Modifiers.....	23
TUMBLE FREE™ Non-Heated Dryer Rack.....	23
DRYER CARE.....	25
Cleaning the Dryer Location.....	25
Cleaning the Lint Screen.....	25
Cleaning the Dryer Interior.....	25
Removing Accumulated Lint.....	26
Vacation and Moving Care.....	26
TROUBLESHOOTING.....	27
SERVICE NUMBERS.....	BACK COVER

PROTECTION AGREEMENTS

Master Protection Agreements

Congratulations on making a smart purchase. Your new Kenmore® product is designed and manufactured for years of dependable operation. But like all products, it may require preventive maintenance or repair from time to time. That's when having a Master Protection Agreement can save you money and aggravation.

The Master Protection Agreement also helps extend the life of your new product. Here's what the Agreement* includes:

- ✓ **Parts and labor** needed to help keep products operating properly **under normal use**, not just defects. Our coverage goes **well beyond the product warranty**. No deductibles, no functional failure excluded from coverage— **real protection**.
- ✓ **Expert service** by a force of more than 10,000 authorized **Sears service technicians**, which means someone you can trust will be working on your product.
- ✓ **Unlimited service calls and nationwide service**, as often as you want us, whenever you want us.
- ✓ **"No-lemon" guarantee** – replacement of your covered product if four or more product failures occur within twelve months.
- ✓ **Product replacement** if your covered product can't be fixed.
- ✓ **Annual Preventive Maintenance Check** at your request – no extra charge.
- ✓ **Fast help by phone** – we call it **Rapid Resolution** – phone support from a Sears representative on all products. Think of us as a "talking owner's manual."
- ✓ **Power surge protection** against electrical damage due to power fluctuations.
- ✓ **\$250 Food Loss Protection** annually for any food spoilage that is the result of mechanical failure of any covered refrigerator or freezer.
- ✓ **Rental reimbursement** if repair of your covered product takes longer than promised.
- ✓ **10% discount** off the regular price of any non-covered repair service and related installed parts.

Once you purchase the Agreement, a simple phone call is all that it takes for you to schedule service. You can call anytime day or night, or schedule a service appointment online.

The Master Protection Agreement is a risk free purchase. If you cancel for any reason during the product warranty period, we will provide a full refund. Or, a prorated refund anytime after the product warranty period expires. Purchase your Master Protection Agreement today!

Some limitations and exclusions apply. For prices and additional information in the U.S.A. call 1-800-827-6655.

***Coverage in Canada varies on some items. For full details call Sears Canada at 1-800-361-6665.**

Sears Installation Service

For Sears professional installation of home appliances, garage door openers, water heaters, and other major home items, in the U.S.A. or Canada call **1-800-4-MY-HOME®**.

KENMORE APPLIANCE AND OPTIONAL PEDESTAL WARRANTY

ONE YEAR LIMITED WARRANTY

When installed, operated and maintained according to all instructions supplied with the product, if this appliance fails due to a defect in material or workmanship within one year from the date of purchase, call 1-800-4-MY-HOME® to arrange for free repair.

If this appliance is used for other than private family purposes, this warranty applies for only 90 days from the date of purchase.

THIS WARRANTY COVERS ONLY DEFECTS IN MATERIAL AND WORKMANSHIP. SEARS WILL NOT PAY FOR:

1. Expendable items that can wear out from normal use, including but not limited to filters, belts, light bulbs, and bags.
2. A service technician to instruct the user in correct product installation, operation or maintenance.
3. A service technician to clean or maintain this product.
4. Damage to or failure of this product if it is not installed, operated or maintained according to all instructions supplied with the product.
5. Damage to or failure of this product resulting from accident, abuse, misuse or use for other than its intended purpose.
6. Damage to or failure of this product caused by the use of detergents, cleaners, chemicals or utensils other than those recommended in all instructions supplied with the product.
7. Damage to or failure of parts or systems resulting from unauthorized modifications made to this product.

DISCLAIMER OF IMPLIED WARRANTIES; LIMITATION OF REMEDIES

Customer's sole and exclusive remedy under this limited warranty shall be product repair as provided herein. Implied warranties, including warranties of merchantability or fitness for a particular purpose, are limited to one year or the shortest period allowed by law. Sears shall not be liable for incidental or consequential damages. Some states and provinces do not allow the exclusion or limitation of incidental or consequential damages, or limitations on the duration of implied warranties of merchantability or fitness, so these exclusions or limitations may not apply to you.

This warranty applies only while this appliance is used in the United States and Canada.

This warranty gives you specific legal rights, and you may also have other rights which vary from state to state.

Sears, Roebuck and Co.
Dept. 817WA, Hoffman Estates, IL 60179

Sears Canada Inc.
Toronto, Ontario, Canada M5B 2B8

PRODUCT RECORD

In the space below, record your complete model number, serial number, and purchase date. You can find this information on the model and serial number label located on the product.

Have this information available to help you obtain assistance or service more quickly whenever you contact Sears concerning your appliance.

Model number _____

Serial number _____

Purchase date _____

Save these instructions and your sales receipt for future reference.

PEDESTAL PRODUCT RECORD

In the space below, record your complete model number, serial number, and purchase date. You can find this information on the model and serial number label located on the product.

Have this information available to help you obtain assistance or service more quickly whenever you contact Sears concerning your pedestal.

Model number _____

Serial number _____

Purchase date _____

Save these instructions and your sales receipt for future reference.

ENGLISH



DRYER SAFETY

Your safety and the safety of others are very important.

We have provided many important safety messages in this manual and on your appliance. Always read and obey all safety messages.



This is the safety alert symbol.

This symbol alerts you to potential hazards that can kill or hurt you and others.

All safety messages will follow the safety alert symbol and either the word "DANGER" or "WARNING."

These words mean:

⚠ DANGER

You can be killed or seriously injured if you don't immediately follow instructions.

⚠ WARNING

You can be killed or seriously injured if you don't follow instructions.

All safety messages will tell you what the potential hazard is, tell you how to reduce the chance of injury, and tell you what can happen if the instructions are not followed.

IMPORTANT SAFETY INSTRUCTIONS

WARNING: To reduce the risk of fire, electric shock, or injury to persons when using the dryer, follow basic precautions, including the following:

- Read all instructions before using the dryer.
- Do not place items exposed to cooking oils in your dryer. Items contaminated with cooking oils may contribute to a chemical reaction that could cause a load to catch fire.
- Do not dry articles that have been previously cleaned in, washed in, soaked in, or spotted with gasoline, dry-cleaning solvents, or other flammable or explosive substances as they give off vapors that could ignite or explode.
- Do not allow children to play on or in the dryer. Close supervision of children is necessary when the dryer is used near children.
- Before the dryer is removed from service or discarded, remove the door to the drying compartment.
- Do not reach into the dryer if the drum is moving.
- Do not install or store the dryer where it will be exposed to the weather.
- Do not tamper with controls.
- Do not repair or replace any part of the dryer or attempt any servicing unless specifically recommended in this Use and Care Guide or in published user-repair instructions that you understand and have the skills to carry out.
- Do not use fabric softeners or products to eliminate static unless recommended by the manufacturer of the fabric softener or product.
- Do not use heat to dry articles containing foam rubber or similarly textured rubber-like materials.
- Clean lint screen before or after each load.
- Keep area around the exhaust opening and adjacent surrounding areas free from the accumulation of lint, dust, and dirt.
- The interior of the dryer and exhaust vent should be cleaned periodically by qualified service personnel.
- See installation instructions for grounding requirements.

SAVE THESE INSTRUCTIONS

INSTALLATION INSTRUCTIONS

Tools and Parts

Gather the required tools and parts before starting installation. Read and follow the instructions provided with any tools listed here.

- Flat-blade screwdriver
- #2 Phillips screwdriver
- Adjustable wrench that opens to 1" (2.54 cm) or hex-head socket wrench (for adjusting dryer feet)
- Wire stripper (direct wire installations)
- Level
- Vent clamps
- Caulking gun and compound (for installing new exhaust vent)
- Tin snips (new vent installations)
- ¼" nut driver or socket wrench (recommended)
- Tape measure

Parts supplied

Remove parts package from dryer drum. Check that all parts are included.



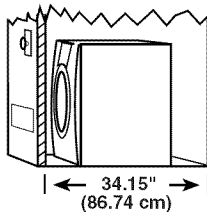
4 Leveling legs

NOTE: Do not use leveling legs if installing the dryer on a pedestal.

Parts needed

Check local codes. Check existing electrical supply and venting. See "Electrical Requirements" and "Venting Requirements" before purchasing parts.

- For close-clearance installations between 28.65" (72.77 cm) and 34.15" (86.74 cm), see "Plan Vent System" section for venting requirements.



Mobile home installations require metal exhaust system hardware available for purchase from your local Sears store or Sears Service Center. For further information, please call **1-800-4-MY-HOME® (1-800-469-4663)**.

If using a power supply cord:

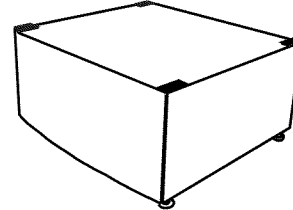
Use a UL listed power supply cord kit marked for use with clothes dryers. The kit should contain:

- A UL listed 30-amp power supply cord, rated 120/240 volt minimum. The cord should be type SRD or SRDT and be at least 4 ft (1.22 m) long. The wires that connect to the dryer must end in ring terminals or spade terminals with upturned ends.
- A UL listed strain relief.

Optional Pedestal

Are you placing the dryer on a pedestal? You can purchase a pedestal separately for this dryer. This pedestal will add about 10" (25.4 cm) to the height of your unit for a total height of approximately 46" (116.8 cm).

For a garage installation, you will need to place the dryer at least 18" (46 cm) above the floor.



Optional pedestal

The pedestal is available in:

White - Part Number 46822

To order, call your local Sears store. For further information, please call **1-800-4-MY-HOME® (1-800-469-4663)**.

Stack Kit

Are you planning to stack your Kenmore washer and dryer? To do so, find the stack kit in the dryer drum. Follow instructions included with the kit. See "Location Requirements."

Location Requirements

⚠ WARNING



Explosion Hazard

Keep flammable materials and vapors, such as gasoline, away from dryer.

Place dryer at least 18 inches (46 cm) above the floor for a garage installation.

Failure to do so can result in death, explosion, or fire.

You will need

- A location that allows for proper exhaust installation. See "Venting Requirements."
- A separate 30-amp circuit.
- If you are using a power supply cord, a grounded electrical outlet located within 2 ft (61 cm) of either side of the dryer. See "Electrical Requirements."
- A sturdy floor to support the total dryer weight of 127 lbs (57.6 kg). The combined weight of a companion appliance should also be considered.

- A level floor with a maximum slope of 1" (2.5 cm) under entire dryer. (If slope is greater than 1" [2.5 cm], install Extended Dryer Feet Kit, Part No. 279810.) Clothes may not tumble properly and automatic sensor cycles may not operate correctly if dryer is not level.

- For a garage installation, you will need to place the dryer at least 18" (46 cm) above the floor. If using a pedestal, you will need 18" (46 cm) to the bottom of the dryer.

Do not operate your dryer at temperatures below 45°F (7°C). At lower temperatures, the dryer might not shut off at the end of an automatic cycle. Drying times can be extended.

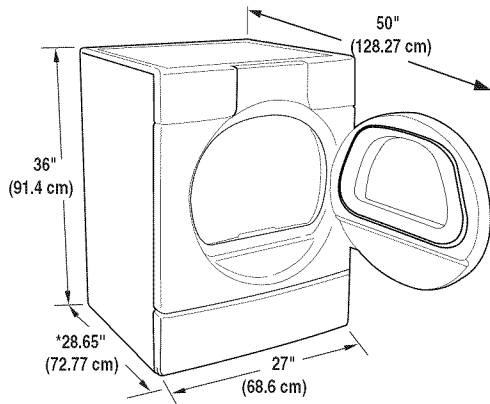
The dryer must not be installed or stored in an area where it will be exposed to water and/or weather.

Check code requirements. Some codes limit, or do not permit, installation of the dryer in garages, closets, mobile homes or sleeping quarters. Contact your local building inspector.

Installation clearances

The location must be large enough to allow the dryer door to open fully.

Dryer Dimensions



*Most installations require a minimum 5" (12.7 cm) clearance behind the dryer for the exhaust vent with elbow. See "Venting Requirements."

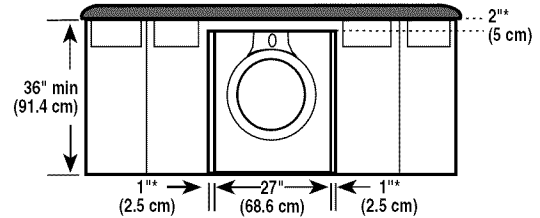
Installation spacing for recessed area or closet installation

The following spacing dimensions are recommended for this dryer. This dryer has been tested for spacing of 0" (0 cm) clearance on the sides and rear. Recommended spacing should be considered for the following reasons:

- Additional spacing should be considered for ease of installation and servicing.
- Additional clearances might be required for wall, door and floor moldings.
- Additional spacing should be considered on all sides of the dryer to reduce noise transfer.
- For closet installation, with a door, minimum ventilation openings in the top and bottom of the door are required. Louvered doors with equivalent ventilation openings are acceptable.
- Companion appliance spacing should also be considered.

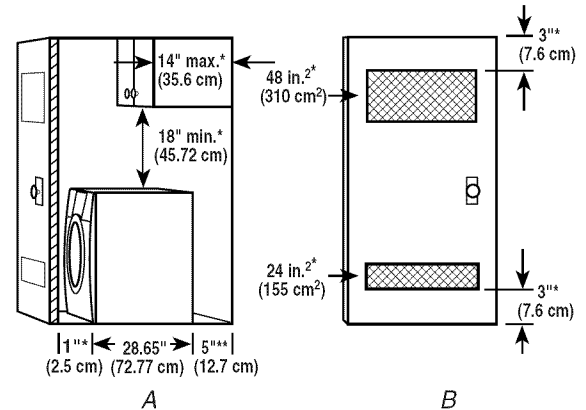
Installation spacing for custom undercounter installation

Custom undercounter installation - Dryer only



*Required spacing

Closet installation - Dryer only

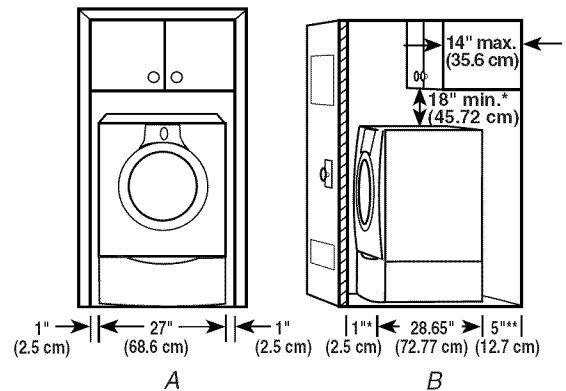


A. Side view - closet or confined area
B. Closet door with vents

*Required spacing

**For side or bottom venting, 0" (0 cm) spacing is allowed.

Recessed or closet installation - Dryer on pedestal



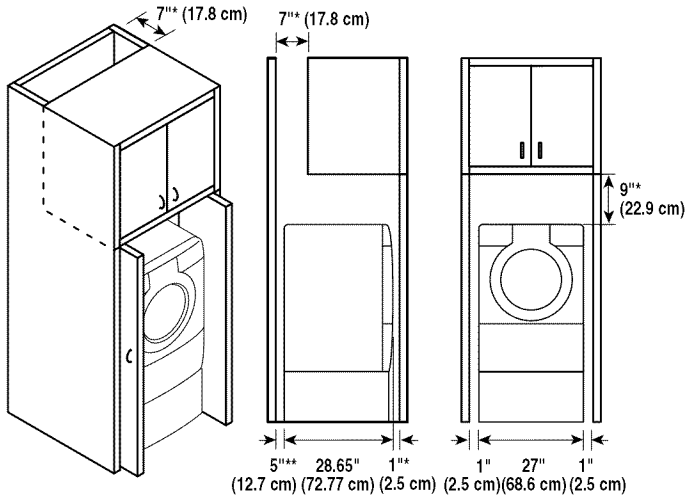
A. Recessed area
B. Side view - closet or confined area

*Required spacing

**For side or bottom venting, 0" (0 cm) spacing is allowed.

Minimum installation spacing for cabinet installation

- The dimensions shown are for the minimum spacing allowed.
- For cabinet installation, with a door, minimum ventilation openings in the top of the cabinet are required.

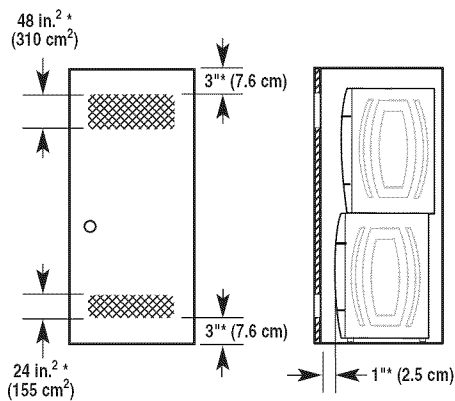


*Required spacing

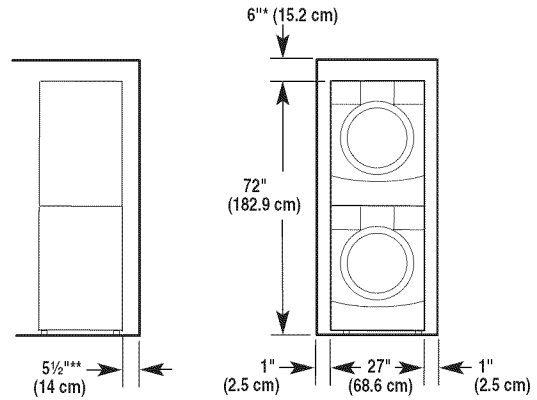
**For side or bottom venting, 0" (0 cm) spacing is allowed.

Recommended installation spacing for recessed or closet installation, with stacked washer and dryer

The dimensions shown are for the recommended spacing.



*Required spacing



*Required spacing

**For venting out the side, 0" (0 cm) spacing is allowed.

Mobile home - additional installation requirements

This dryer is suitable for mobile home installations. The installation must conform to the Manufactured Home Construction and Safety Standard, Title 24 CFR, Part 3280 (formerly the Federal Standard for Mobile Home Construction and Safety, Title 24, HUD Part 280).

Mobile home installations require:

- Metal exhaust system hardware, which is available for purchase from your local Sears store or Sears Service Center.
- Special provisions must be made in mobile homes to introduce outside air into the dryer. The opening (such as a nearby window) should be at least twice as large as the dryer exhaust opening.

Electrical Requirements

It is your responsibility

- To contact a qualified electrical installer.
- To be sure that the electrical connection is adequate and in conformance with the National Electrical Code, ANSI/NFPA 70-latest edition and all local codes and ordinances.

The National Electric Code requires a 4-wire supply connection for homes built after 1996, dryer circuits involved in remodeling after 1996, and all mobile home installations.

A copy of the above code standards can be obtained from: National Fire Protection Association, One Batterymarch Park, Quincy, MA 02269.

- To supply the required 3 or 4 wire, single phase, 120/240 volt, 60 Hz., AC only electrical supply (or 3 or 4 wire, 120/208 volt electrical supply, if specified on the serial/rating plate) on a separate 30-amp circuit, fused on both sides of the line. A time-delay fuse or circuit breaker is recommended. Connect to an individual branch circuit. Do not have a fuse in the neutral or grounding circuit.
- Do not use an extension cord.
- If codes permit and a separate ground wire is used, it is recommended that a qualified electrician determine that the ground path is adequate.

Electrical Connection

To properly install your dryer, you must determine the type of electrical connection you will be using and follow the instructions provided for it here.

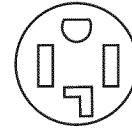
- If local codes do not permit the connection of a neutral ground wire to the neutral wire, see “Optional 3-wire connection” in the “Electrical Connection” section.
- This dryer is manufactured ready to install with a 3-wire electrical supply connection. The neutral ground wire is permanently connected to the neutral conductor (white wire) within the dryer. If the dryer is installed with a 4-wire electrical supply connection, the neutral ground wire must be removed from the external ground conductor screw (green screw), and secured under the neutral terminal (center or white wire) of the terminal block. When the neutral ground wire is secured under the neutral terminal (center or white wire) of the terminal block, the dryer cabinet is isolated from the neutral conductor.
- A 4-wire power supply connection must be used when the appliance is installed in a location where grounding through the neutral conductor is prohibited. Grounding through the neutral is prohibited for (1) new branch-circuit installations, (2) mobile homes, (3) recreational vehicles, and (4) areas where local codes prohibit grounding through the neutral conductors.

If using a power supply cord:

Use a UL listed power supply cord kit marked for use with clothes dryers. The kit should contain:

- A UL listed 30-amp power supply cord, rated 120/240 volt minimum. The cord should be type SRD or SRDT and be at least 4 ft (1.22 m) long. The wires that connect to the dryer must end in ring terminals or spade terminals with upturned ends.
- A UL listed strain relief.

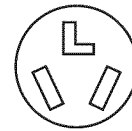
If your outlet looks like this:



4-wire receptacle (14-30R)

Then choose a 4-wire power supply cord with ring or spade terminals and UL listed strain relief. The 4-wire power supply cord, at least 4 ft (1.22 m) long, must have four 10-gauge copper wires and match a 4-wire receptacle of NEMA Type 14-30R. The ground wire (ground conductor) may be either green or bare. The neutral conductor must be identified by a white cover.

If your outlet looks like this:



3-wire receptacle (10-30R)

Then choose a 3-wire power supply cord with ring or spade terminals and UL listed strain relief. The 3-wire power supply cord, at least 4 ft (1.22 m) long, must have three 10-gauge copper wires and match a 3-wire receptacle of NEMA Type 10-30R.

If connecting by direct wire:

Power supply cable must match power supply (4-wire or 3-wire) and be:

- Flexible armored cable or nonmetallic sheathed copper cable (with ground wire), protected with flexible metallic conduit. All current-carrying wires must be insulated.
- 10-gauge solid copper wire (do not use aluminum).
- At least 5 ft (1.52 m) long.

GROUNDING INSTRUCTIONS

- For a grounded, cord-connected dryer:
This dryer must be grounded. In the event of malfunction or breakdown, grounding will reduce the risk of electric shock by providing a path of least resistance for electric current. This dryer uses a cord having an equipment-grounding conductor and a grounding plug. The plug must be plugged into an appropriate outlet that is properly installed and grounded in accordance with all local codes and ordinances.
- For a permanently connected dryer:
This dryer must be connected to a grounded metal, permanent wiring system, or an equipment-grounding conductor must be run with the circuit conductors and connected to the equipment-grounding terminal or lead on the dryer.

WARNING: Improper connection of the equipment-grounding conductor can result in a risk of electric shock. Check with a qualified electrician or service representative or personnel if you are in doubt as to whether the dryer is properly grounded. Do not modify the plug on the power supply cord: if it will not fit the outlet, have a proper outlet installed by a qualified electrician.

SAVE THESE INSTRUCTIONS

Electrical Connection

Power Supply Cord

⚠ WARNING



Fire Hazard

- Use a new UL listed 30 amp power supply cord.
- Use a UL listed strain relief.
- Disconnect power before making electrical connections.
- Connect neutral wire (white or center wire) to center terminal (silver).
- Ground wire (green or bare wire) must be connected to green ground connector.
- Connect remaining 2 supply wires to remaining 2 terminals (gold).
- Securely tighten all electrical connections.
- Failure to do so can result in death, fire, or electrical shock.

Direct Wire

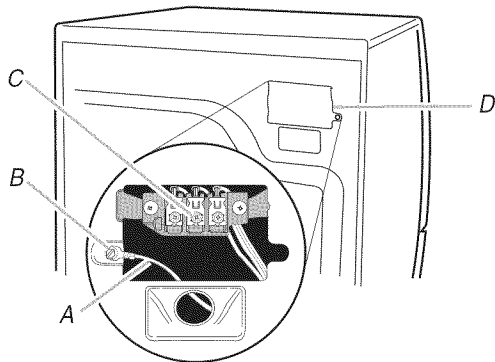
⚠ WARNING



Fire Hazard

- Use 10 gauge solid copper wire.
- Use a UL listed strain relief.
- Disconnect power before making electrical connections.
- Connect neutral wire (white or center wire) to center terminal (silver).
- Ground wire (green or bare wire) must be connected to green ground connector.
- Connect remaining 2 supply wires to remaining 2 terminals (gold).
- Securely tighten all electrical connections.
- Failure to do so can result in death, fire, or electrical shock.

1. Disconnect power.
2. Remove the hold-down screw and terminal block cover.

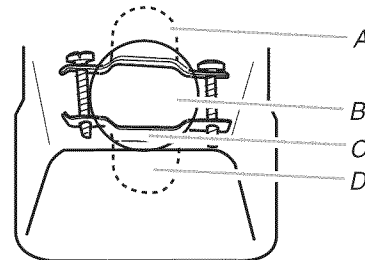


- A. Neutral ground wire
- B. External ground conductor screw
- C. Center, silver-colored terminal block screw
- D. Terminal block cover and hold-down screw

3. Install strain relief.

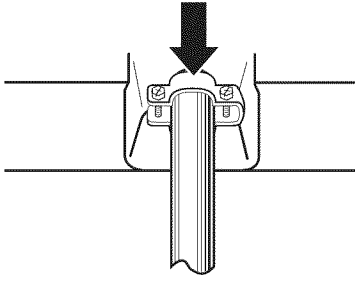
Style 1: Power supply cord strain relief

- Remove the screws from a $\frac{3}{4}$ " (1.9 cm) UL listed strain relief (UL marking on strain relief). Put the tabs of the two clamp sections into the hole below the terminal block opening so that one tab is pointing up and the other is pointing down, and hold in place. Tighten strain relief screws enough to hold the two clamp sections together.



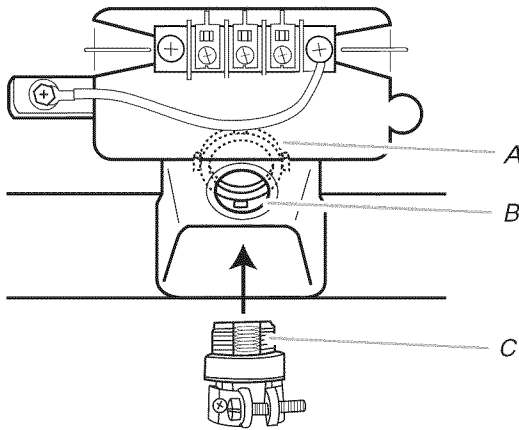
- A. Strain relief tab pointing up
- B. Hole below terminal block opening
- C. Clamp section
- D. Strain relief tab pointing down

- Put power supply cord through the strain relief. Be sure that the wire insulation on the power supply cord is inside the strain relief. The strain relief should have a tight fit with the dryer cabinet and be in a horizontal position. Do not further tighten strain relief screws at this point.



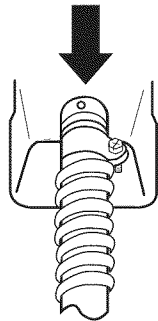
Style 2: Direct wire strain relief

- Unscrew the removable conduit connector and any screws from a 3/4" (1.9 cm) UL listed strain relief (UL marking on strain relief). Put the threaded section of the strain relief through the hole below the terminal block opening. Reaching inside the terminal block opening, screw the removable conduit connector onto the strain relief threads.



A. Removable conduit connector
B. Hole below terminal block opening
C. Strain relief threads

- Put direct wire cable through the strain relief. The strain relief should have a tight fit with the dryer cabinet and be in a horizontal position. Tighten strain relief screw against the direct wire cable.

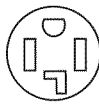
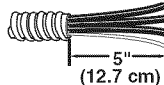

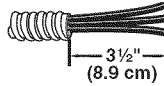


4. Now complete installation following instructions for your type of electrical connection:

4-wire (recommended)

3-wire (if 4-wire is not available)

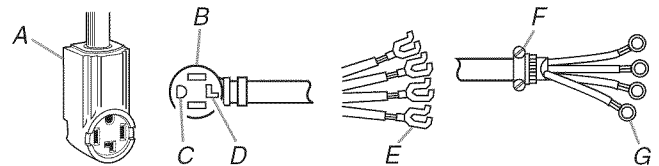
Electrical Connection Options

If your home has:	And you will be connecting to:	Go to Section
4-wire receptacle (NEMA Type 14-30R) 	A UL listed, 120/240-volt minimum, 30-amp, dryer power supply cord*	4-wire connection: Power supply cord
4-wire direct 	A fused disconnect or circuit breaker box*	4-wire connection: Direct Wire
3-wire receptacle (NEMA type 10-30R) 	A UL listed, 120/240-volt minimum, 30-amp, dryer power supply cord*	3-wire connection: Power supply cord
3-wire direct 	A fused disconnect or circuit breaker box*	3-wire connection: Direct Wire

*If local codes do not permit the connection of a cabinet-ground conductor to the neutral wire, go to "Optional 3-wire connection" section.

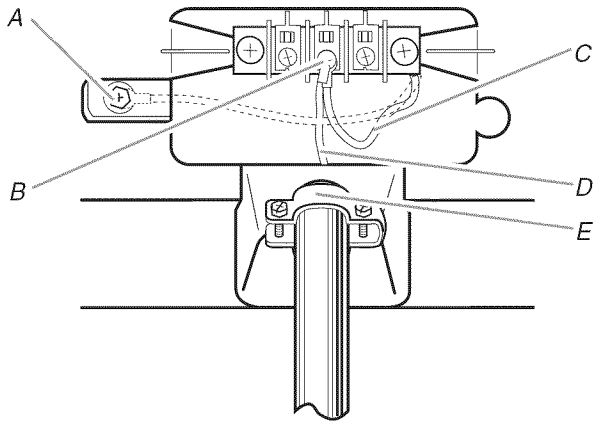
4-wire connection: Power supply cord

IMPORTANT: A 4-wire connection is required for mobile homes and where local codes do not permit the use of 3-wire connections.



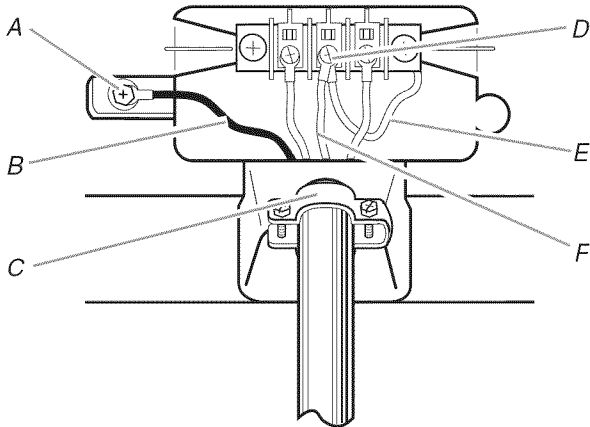
A. 4-wire receptacle (NEMA type 14-30R)
B. 4-prong plug
C. Ground prong
D. Neutral prong
E. Spade terminals with upturned ends
F. 3/4" (1.9 cm) UL listed strain relief
G. Ring terminals

1. Remove center silver-colored terminal block screw.
2. Remove neutral ground wire from external ground conductor screw. Connect neutral ground wire and the neutral wire (white or center wire) of power supply cord under center, silver-colored terminal block screw. Tighten screw.



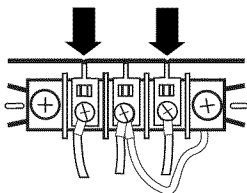
- A. External ground conductor screw - Dotted line shows position of NEUTRAL ground wire before being moved to center silver-colored terminal block screw.
 B. Center silver-colored terminal block screw
 C. Neutral ground wire
 D. Neutral wire (white or center wire)
 E. $\frac{3}{4}$ " (1.9 cm) UL listed strain relief

3. Connect ground wire (green or bare) of power supply cord to external ground conductor screw. Tighten screw.



- A. External ground conductor screw
 B. Ground wire (green or bare) of power supply cord
 C. $\frac{3}{4}$ " (1.9 cm) UL listed strain relief
 D. Center silver-colored terminal block screw
 E. Neutral ground wire
 F. Neutral wire (white or center wire)

4. Connect the other wires to outer terminal block screws. Tighten screws.



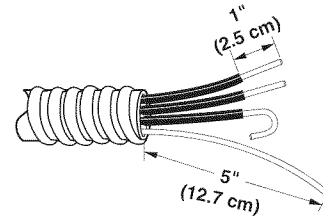
5. Tighten strain relief screws.
6. Insert tab of terminal block cover into slot of dryer rear panel. Secure cover with hold-down screw.
7. You have completed your electrical connection. Now go to "Venting Requirements."

4-wire connection: Direct wire

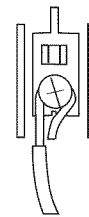
IMPORTANT: A 4-wire connection is required for mobile homes and where local codes do not permit the use of 3-wire connections.

Direct wire cable must have 5 ft (1.52 m) of extra length so dryer can be moved if needed.

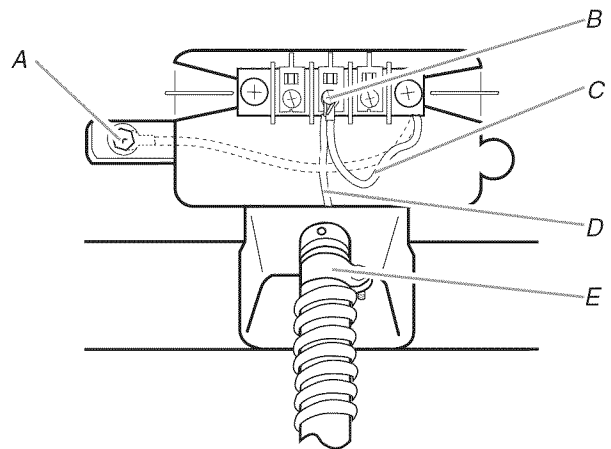
Strip 5" (12.7 cm) of outer covering from end of cable, leaving bare ground wire at 5" (12.7 cm). Cut $1\frac{1}{2}$ " (3.8 cm) from 3 remaining wires. Strip insulation back 1" (2.5 cm). Shape ends of wires into a hook shape.



When connecting to the terminal block, place the hooked end of the wire under the screw of the terminal block (hook facing right), squeeze hooked end together and tighten screw, as shown.

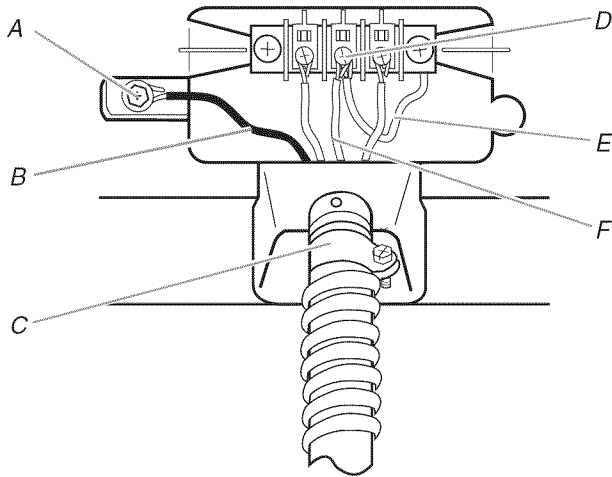


1. Remove center silver-colored terminal block screw.
2. Remove neutral ground wire from external ground conductor screw. Connect neutral ground wire and place the hooked end (hook facing right) of the neutral wire (white or center wire) of direct wire cable under the center screw of the terminal block. Squeeze hooked ends together. Tighten screw.



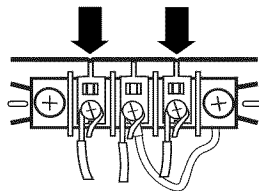
- A. External ground conductor screw - Dotted line shows position of NEUTRAL ground wire before being moved to center silver-colored terminal block screw.
 B. Center silver-colored terminal block screw
 C. Neutral ground wire
 D. Neutral wire (white or center wire)
 E. $\frac{3}{4}$ " (1.9 cm) UL listed strain relief

3. Connect ground wire (green or bare) of direct wire cable to external ground conductor screw. Tighten screw.



- A. External ground conductor screw
- B. Ground wire (green or bare) of power supply cable
- C. $\frac{3}{4}$ " (1.9 cm) UL listed strain relief
- D. Center silver-colored terminal block screw
- E. Neutral ground wire
- F. Neutral wire (white or center wire)

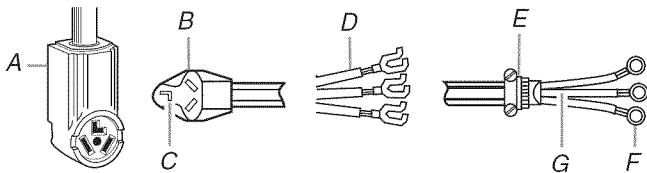
4. Place the hooked ends of the other direct wire cable wires under the outer terminal block screws (hooks facing right). Squeeze hooked ends together. Tighten screws.



5. Tighten strain relief screw.
6. Insert tab of terminal block cover into slot of dryer rear panel. Secure cover with hold-down screw.
7. You have completed your electrical connection. Now go to "Venting Requirements."

3-wire connection: Power supply cord

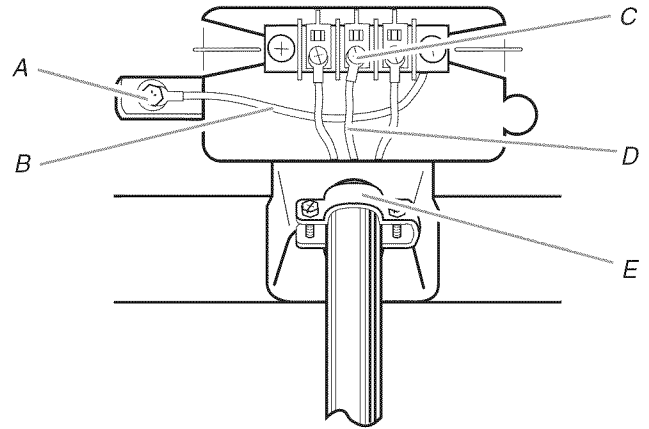
Use where local codes permit connecting cabinet-ground conductor to neutral wire.



- A. 3-wire receptacle (NEMA type 10-30R)
- B. 3-wire plug
- C. Neutral prong
- D. Spade terminals with up turned ends
- E. $\frac{3}{4}$ " (1.9 cm) UL listed strain relief
- F. Ring terminals
- G. Neutral (white or center wire)

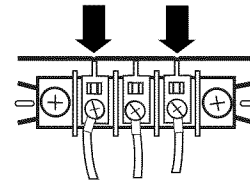
1. Loosen or remove center silver-colored terminal block screw.

2. Connect neutral wire (white or center wire) of power supply cord to the center, silver-colored terminal screw of the terminal block. Tighten screw.



- A. External ground conductor screw
- B. Neutral ground wire
- C. Center silver-colored terminal block screw
- D. Neutral wire (white or center wire)
- E. $\frac{3}{4}$ " (1.9 cm) UL listed strain relief

3. Connect the other wires to outer terminal block screws. Tighten screws.



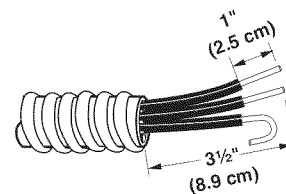
4. Tighten strain relief screws.
5. Insert tab of terminal block cover into slot of dryer rear panel. Secure cover with hold-down screw.
6. You have completed your electrical connection. Now go to "Venting Requirements."

3-wire connection: Direct wire

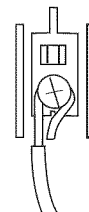
Use where local codes permit connecting cabinet-ground conductor to neutral wire.

Direct wire cable must have 5 ft (1.52 m) of extra length so dryer can be moved if needed.

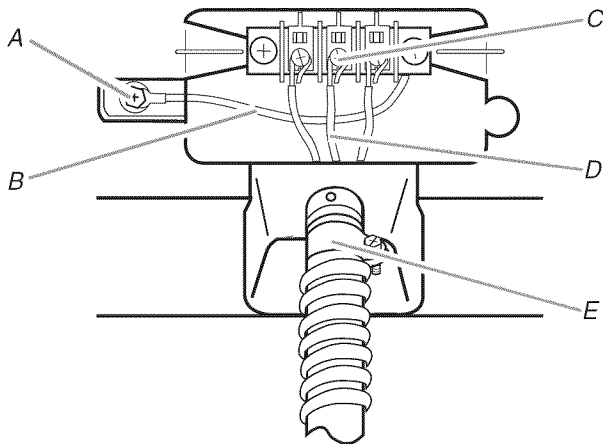
Strip $3\frac{1}{2}$ " (8.9 cm) of outer covering from end of cable. Strip insulation back 1" (2.5 cm). If using 3-wire cable with ground wire, cut bare wire even with outer covering. Shape ends of wires into a hook shape.



When connecting to the terminal block, place the hooked end of the wire under the screw of the terminal block (hook facing right), squeeze hooked end together and tighten screw, as shown.

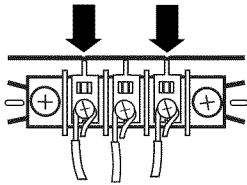


1. Loosen or remove center silver-colored terminal block screw.
2. Place the hooked end of the neutral wire (white or center wire) of direct wire cable under the center screw of terminal block (hook facing right). Squeeze hooked end together. Tighten screw.



A. External ground conductor screw
 B. Neutral ground wire
 C. Center silver-colored terminal block screw
 D. Neutral wire (white or center wire)
 E. 3/4" (1.9 cm) UL listed strain relief

3. Place the hooked ends of the other direct wire cable wires under the outer terminal block screws (hooks facing right). Tighten screws.

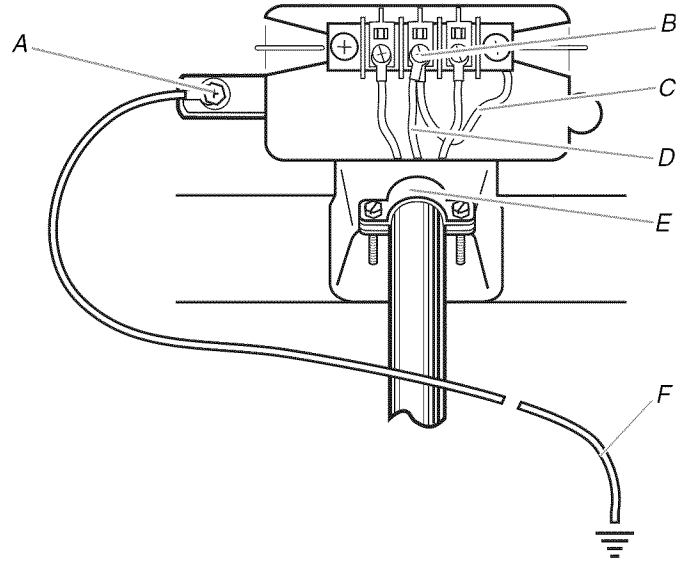


4. Tighten strain relief screw.
5. Insert tab of terminal block cover into slot of dryer rear panel. Secure cover with hold-down screw.
6. You have completed your electrical connection. Now go to "Venting Requirements."

Optional 3-wire connection

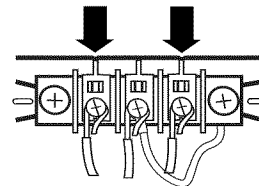
Use for direct wire or power supply cord where local codes do not permit connecting cabinet-ground conductor to neutral wire.

1. Remove center silver-colored terminal block screw.
2. Remove neutral ground wire from external ground conductor screw. Connect neutral ground wire and the neutral wire (white or center wire) of power supply cord/cable under center, silver-colored terminal block screw. Tighten screw.



A. External ground conductor screw
 B. Center silver-colored terminal block screw
 C. Neutral ground wire
 D. Neutral wire (white or center wire)
 E. 3/4" (1.9 cm) UL listed strain relief
 F. Grounding path determined by a qualified electrician

3. Connect the other wires to outer terminal block screws. Tighten screws.



4. Tighten strain relief screws.
5. Connect a separate copper ground wire from the external ground conductor screw to an adequate ground.
6. Insert tab of terminal block cover into slot of dryer rear panel. Secure cover with hold-down screw.

Venting Requirements

WARNING



Fire Hazard

Use a heavy metal vent.

Do not use a plastic vent.

Do not use a metal foil vent.

Failure to follow these instructions can result in death or fire.

WARNING: To reduce the risk of fire, this dryer MUST BE EXHAUSTED OUTDOORS.

IMPORTANT: Observe all governing codes and ordinances. The dryer exhaust must not be connected into any gas vent, chimney, wall, ceiling or a concealed space of a building.

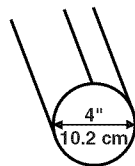
If using an existing vent system

- Clean lint from the entire length of the system and make sure exhaust hood is not plugged with lint.
- Replace any plastic or metal foil vent with rigid or flexible heavy metal vent.
- Review Vent system chart. Modify existing vent system if necessary to achieve the best drying performance.

If this is a new vent system

Vent material

- Use a heavy metal vent. Do not use plastic or metal foil vent.
- 4" (10.2 cm) heavy metal exhaust vent and clamps must be used. DURASAFE™ venting products are recommended.



4" (10.2 cm) heavy metal exhaust vent

DURASAFE™ vent products can be purchased from your dealer. For further information, please call **1-800-4-MY-HOME® (1-800-469-4663)** or visit our website at www.sears.com.

Rigid metal vent

- For best drying performance, rigid metal vents are recommended.
- Rigid metal vent is recommended to avoid crushing and kinking.

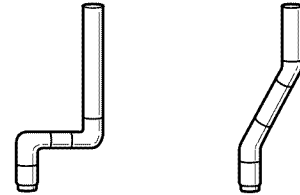
Flexible metal vent

- Flexible metal vents are acceptable only if accessible for cleaning.
- Flexible metal vent must be fully extended and supported when the dryer is in its final location.

- Remove excess flexible metal vent to avoid sagging and kinking that may result in reduced airflow and poor performance.
- Do not install flexible metal vent in enclosed walls, ceilings or floors.

Elbows

45° elbows provide better airflow than 90° elbows.

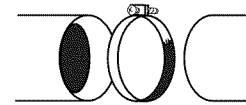


Good

Better

Clamps

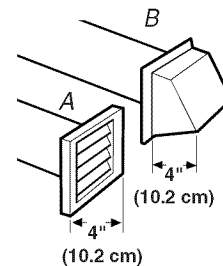
- Use clamps to seal all joints.
- Exhaust vent must not be connected or secured with screws or other fastening devices that extend into the interior of the duct. Do not use duct tape.



Clamp

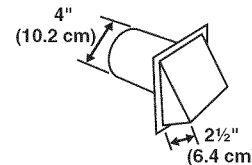
Exhaust

Recommended hood styles are shown here.



A. Louvered hood style
B. Box hood style

The angled hood style (shown here) is acceptable.



- An exhaust hood should cap the vent to keep rodents and insects from entering the home.
- Exhaust hood must be at least 12" (30.5 cm) from the ground or any object that may be in the path of the exhaust (such as flowers, rocks or bushes, snow line, etc.).
- Do not use an exhaust hood with a magnetic latch.

Improper venting can cause moisture and lint to collect indoors, which may result in:

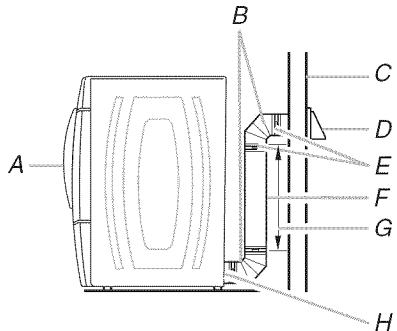
- Moisture damage to woodwork, furniture, paint, wallpaper, carpets, etc.
- Housecleaning problems and health problems.

Plan Vent System

Choose your exhaust installation type

Recommended exhaust installations

Typical installations vent the dryer from the rear of the dryer. Other installations are possible.



- A. Dryer
- B. Elbow
- C. Wall
- D. Exhaust hood
- E. Clamps
- F. Rigid metal or flexible metal vent
- G. Vent length necessary to connect elbows
- H. Exhaust outlet

Optional exhaust installations

This dryer can be converted to exhaust out the right side, left side, or through the bottom. Contact your local dealer to have the dryer converted.

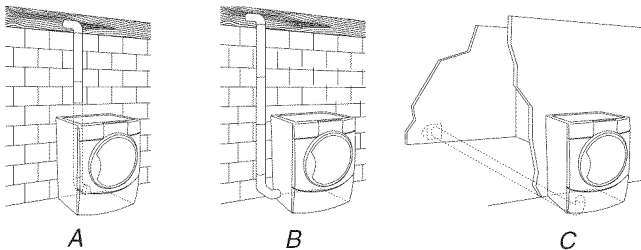
⚠ WARNING

Fire Hazard

Cover unused exhaust holes with the following kit:
279818 (white)

Contact your local dealer.

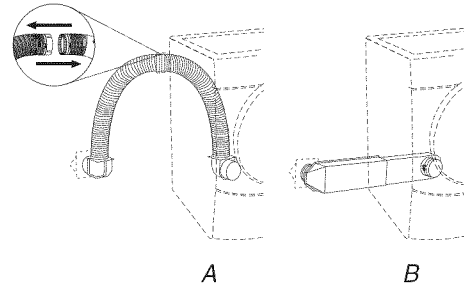
Failure to follow these instructions can result in death, fire, electrical shock, or serious injury.



- A. Standard rear offset exhaust installation
- B. Left or right side exhaust installation
- C. Bottom exhaust installation (not an option with pedestal installations)

Alternate installations for close clearances

Venting systems come in many varieties. Select the type best for your installation. Two close-clearance installations are shown. Refer to the manufacturer's instructions.



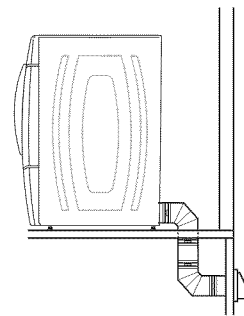
- A. Over-the-top installation (also available with one offset elbow)
- B. Periscope installation

NOTE: The following kits for close clearance alternate installations are available for purchase. For further information, please call **1-800-4-MY-HOME® (1-800-469-4663)**.

- Over-the-Top Installation:
Part Number 26-49900
- Periscope Installation (For use with dryer vent to wall vent mismatch):
Part Number 26-49901 - Less than 5" (12.7 cm) mismatch
Part Number 26-49908 - 5" (12.7 cm) to 18" (45.72 cm) mismatch
Part Number 26-49904 - 18" (45.72 cm) to 29" (73.66 cm) mismatch
Part Number 26-49905 - 29" (73.66 cm) to 50" (127 cm) mismatch

Special provisions for mobile home installations

The exhaust vent must be securely fastened to a noncombustible portion of the mobile home structure and must not terminate beneath the mobile home. Terminate the exhaust vent outside.



Determine vent path

- Select the route that will provide the straightest and most direct path outdoors.
- Plan the installation to use the fewest number of elbows and turns.
- When using elbows or making turns, allow as much room as possible.
- Bend vent gradually to avoid kinking.
- Use the fewest 90° turns possible.

Determine vent length and elbows needed for best drying performance

- Use the following Vent system chart to determine type of vent material and hood combinations acceptable to use.

NOTE: Do not use vent runs longer than those specified in the Vent system chart. Exhaust systems longer than those specified will:

- Shorten the life of the dryer.
- Reduce performance, resulting in longer drying times and increased energy usage.

The Vent system chart provides venting requirements that will help to achieve the best drying performance.

Vent system chart

NOTE: Side and bottom exhaust installations have a 90° turn inside the dryer. To determine maximum exhaust length, add one 90° turn to the chart.

Number of 90° turns or elbows	Type of vent	Box or louvered hoods	Angled hoods
0	Rigid metal	64 ft (20 m)	58 ft (17.7 m)
	Flexible metal	36 ft (11 m)	28 ft (8.5 m)
1	Rigid metal	54 ft (16.5 m)	48 ft (14.6 m)
	Flexible metal	31 ft (9.4 m)	23 ft (7 m)
2	Rigid metal	44 ft (13.4 m)	38 ft (11.6 m)
	Flexible metal	27 ft (8.2 m)	19 ft (5.8 m)
3	Rigid metal	35 ft (10.7 m)	29 ft (8.8 m)
	Flexible metal	25 ft (7.6 m)	17 ft (5.2 m)
4	Rigid metal	27 ft (8.2 m)	21 ft (6.4 m)
	Flexible metal	23 ft (7 m)	15 ft (4.6 m)

Install Vent System

1. Install exhaust hood. Use caulking compound to seal exterior wall opening around exhaust hood.
2. Connect vent to exhaust hood. Vent must fit inside exhaust hood. Secure vent to exhaust hood with 4" (10.2 cm) clamp.
3. Run vent to dryer location. Use the straightest path possible. See "Determine vent path" in "Plan Vent System." Avoid 90° turns. Use clamps to seal all joints. Do not use duct tape, screws or other fastening devices that extend into the interior of the vent to secure vent.

Install Leveling Legs

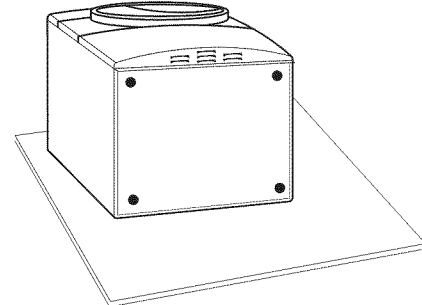
! WARNING

Excessive Weight Hazard

Use two or more people to move and install dryer.

Failure to do so can result in back or other injury.

1. To protect the floor, use a large flat piece of cardboard from the dryer carton. Place cardboard under the entire back edge of the dryer.
2. Firmly grasp the body of the dryer. Gently lay the dryer on the cardboard. See illustration.



3. Examine the leveling legs. Find the diamond marking.



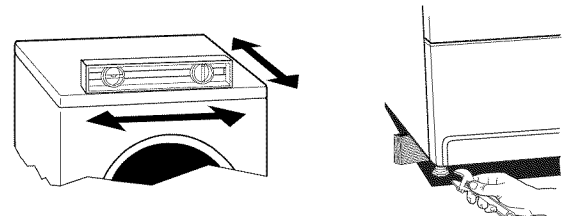
4. Screw the legs into the leg holes by hand. Use a wrench to finish turning the legs until the diamond marking is no longer visible.
5. Place a carton corner post from dryer packaging under each of the 2 dryer back corners. Stand the dryer up. Slide the dryer on the corner posts until it is close to its final location. Leave enough room to connect the exhaust vent.

Connect Vent

1. Using a 4" (10.2 cm) clamp, connect vent to exhaust outlet in dryer. If connecting to existing vent, make sure the vent is clean. The dryer vent must fit over the dryer exhaust outlet and inside the exhaust hood. Check that the vent is secured to exhaust hood with a 4" (10.2 cm) clamp.
2. Move dryer into its final location. Do not crush or kink vent.
3. (On gas models) Check that there are no kinks in the flexible gas line.
4. Once the exhaust vent connection is made, remove the corner posts and cardboard.

Level Dryer

Check the levelness of the dryer. Check levelness first side to side, then front to back.



If the dryer is not level, prop up the dryer using a wood block. Use a wrench to adjust the legs up or down and check again for levelness.

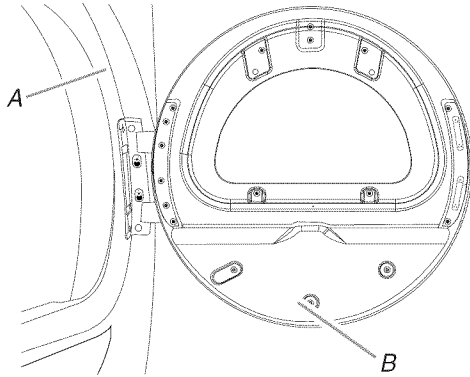
Reverse Door Swing

You can change your door swing from a right-side opening to a left-side opening, if desired.

1. Place a towel or soft cloth on top of the dryer or work space to protect the surface.

Remove the door assembly

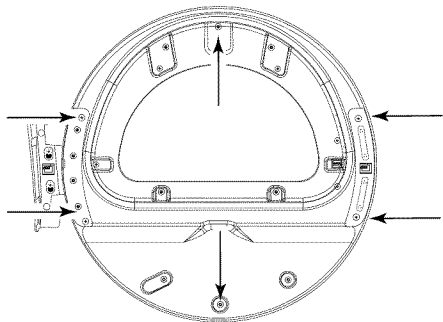
1. Remove the 4 screws that hold the door hinge on the front panel of the dryer.



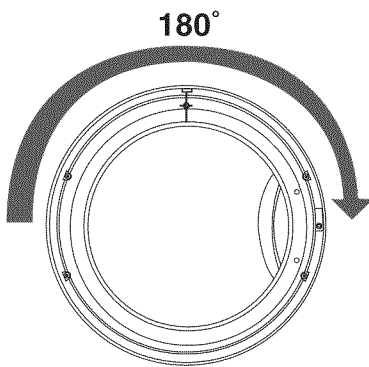
A. Dryer front panel

B. Door assembly

2. Lay the door assembly on a flat, protected surface with the inside (inner door assembly) facing up.
3. Remove the 6 Phillips head screws to release the outer door assembly from the inner door assembly, as indicated below. See illustration. It is important that you remove only the 6 indicated screws.

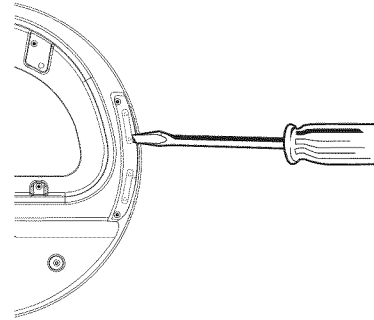


4. Lift the inner door assembly off the outer door assembly.
5. Rotate outer door 180°.

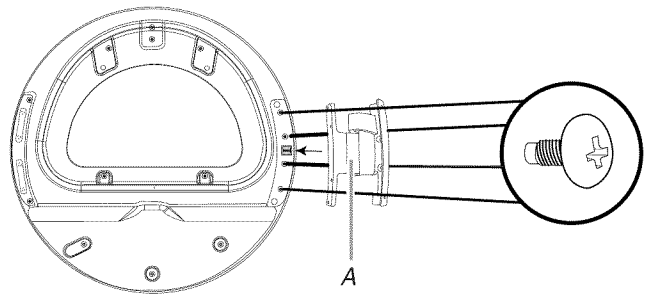


Reverse hinge

1. Use a small flat-blade screwdriver to remove 2 plug strips from the inner door. Slide the head of the screwdriver under the plugs, being certain not to scratch the inner door surface. Lift up.

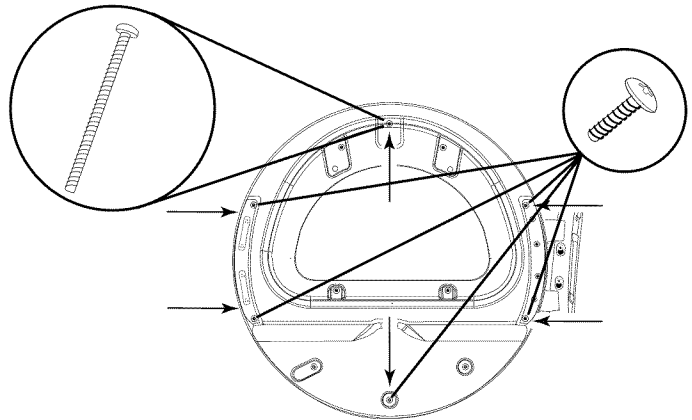


2. Remove the 4 screws that attach to the inner door hinge and move the hinge to the other side. Reinstall the 4 screws.



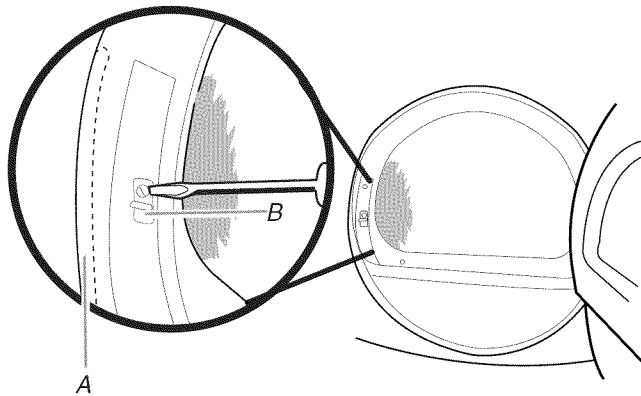
A. Door hinge

3. Reinstall plug strips on opposite side of the inner door.
4. Check for fingerprints on the glass. Clean glass if necessary.
5. Place the inner door assembly inside the outer door assembly. To fit correctly, the inner door assembly edge fits completely inside the outer door assembly edge.
6. Reassemble the inner and outer door assemblies with the 6 screws.



Reverse the strike

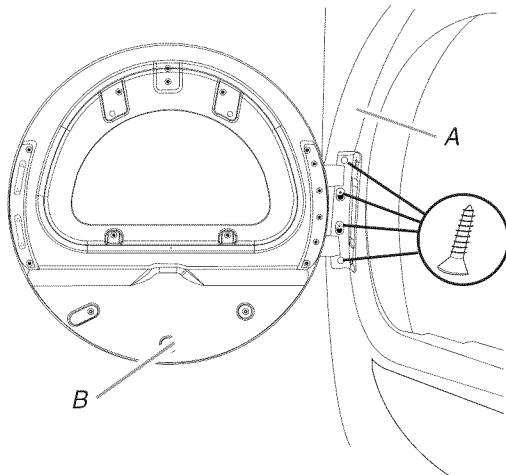
1. Use a small flat-blade screwdriver to remove plug strip from the dryer door opening. Slide the head of the screwdriver under the plugs, being certain not to scratch the dryer surface. Lift up.
2. Remove the strike
3. Insert strike on the opposite side.



A. Plug strip (cannot be seen from this angle)
B. Door strike

Reinstall the door

1. Reattach door to dryer front panel with the 4 screws.



A. Dryer front panel
B. Door assembly

2. Check for fingerprints on the glass. Clean glass if necessary.
3. Close door and check that it latches securely.

Complete Installation

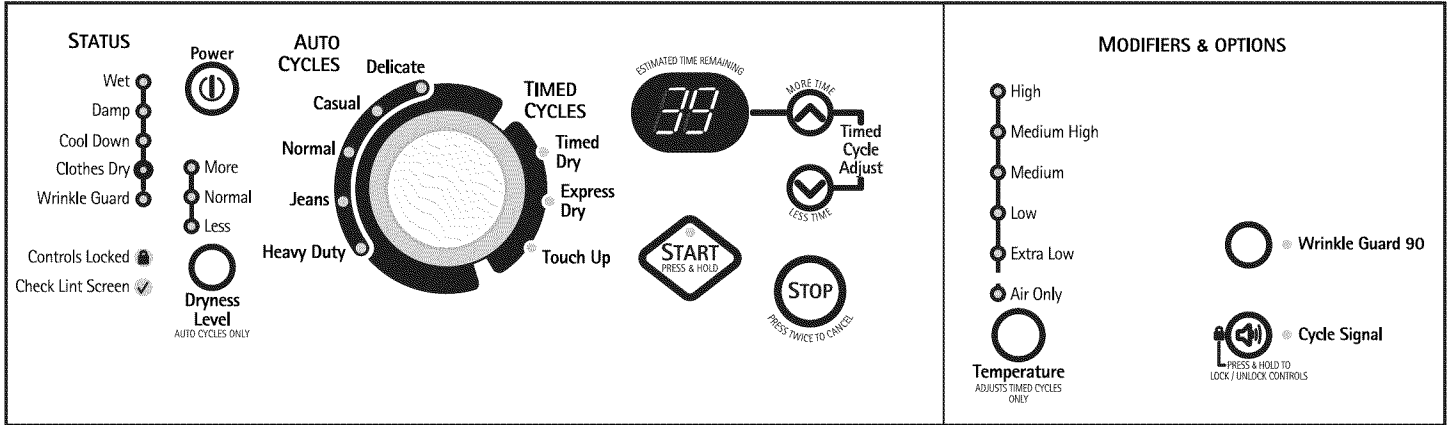
1. Check that all parts are now installed. If there is an extra part, go back through the steps to see which step was skipped.
2. Check that you have all of your tools.
3. Dispose of/recycle all packaging materials.
4. Check the dryer's final location. Be sure the vent is not crushed or kinked.
5. Check that the dryer is level. See "Level Dryer."
6. For power supply cord installation, plug into an outlet. For direct wire installation, reconnect power.
7. Remove the blue protective film on the console and any tape remaining on the dryer.
8. Read "Dryer Use."
9. Wipe the dryer drum interior thoroughly with a damp cloth to remove any dust.
10. Select a Timed Dry heated cycle, and start the dryer. Do not select the Air Only modifier.

If the dryer will not start, check the following:

- Controls are set in a running or "On" position.
 - Start button has been pushed firmly.
 - Dryer is plugged into an outlet and/or electrical supply is connected.
 - Household fuse is intact and tight, or circuit breaker has not tripped.
 - Dryer door is closed.
11. When the dryer has been running for 5 minutes, open the dryer door and feel for heat. If you feel heat, cancel cycle and close the door.
- ### If you do not feel heat, turn off the dryer and check the following:
- There may be 2 household fuses or circuit breakers for the dryer. Check that both fuses are intact and tight, or that both circuit breakers have not tripped. If there is still no heat, contact a qualified technician.

NOTE: You may notice a burning odor when the dryer is first heated. This odor is common when the heating element is first used. The odor will go away.

DRYER USE



Starting Your Dryer

⚠ WARNING

Explosion Hazard

Keep flammable materials and vapors, such as gasoline, away from dryer.

Do not dry anything that has ever had anything flammable on it (even after washing).

Failure to follow these instructions can result in death, explosion, or fire.

⚠ WARNING

Fire Hazard

No washer can completely remove oil.

Do not dry anything that has ever had any type of oil on it (including cooking oils).

Items containing foam, rubber, or plastic must be dried on a clothesline or by using an Air Cycle.

Failure to follow these instructions can result in death or fire.

ENGLISH

WARNING: To reduce the risk of fire, electric shock, or injury to persons, read the IMPORTANT SAFETY INSTRUCTIONS before operating this appliance.

Follow these basic steps to start your dryer. Please refer to specific sections of this manual for more detailed information.

1. Clean lint screen before each load. See "Cleaning the Lint Screen."
 2. Place laundry into dryer and shut door.
 3. Press POWER.
 4. Select an Auto or Timed Cycle. The preset settings for Auto or Timed Cycles will illuminate. The estimated (auto cycle) or actual (timed) cycle time (in minutes) will show in the display.
- NOTE:** A default time is displayed when an automatic cycle is selected. During the first few minutes of the drying process, the cycle time may automatically vary from the default time based on the size and fabric type of the load. Toward the end of the drying process, the estimated time display will adjust again, showing the final drying time.

To use an Auto Cycle

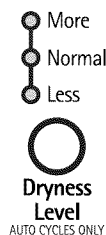
- Select an Auto Cycle. Auto cycles are preset to Normal.

- Select DRYNESS LEVEL to adjust how dry you want the load. As the cycle runs, the control senses the dryness of the load and adjusts the time automatically for the selected dryness level.

To make changes to the Dryness Level and/or Options during an Auto Cycle:

- Press STOP once.
- Adjust Dryness Level and/or Options.

NOTE: Dryness Level selections can be made only while using Auto Cycles. Selecting More, Normal or Less automatically adjusts the sensed time needed.



Auto Dry cycles take the guesswork out of drying time and enhance fabric care. The amount of time that is displayed is the estimated time remaining in the cycle.

To use a Timed Cycle

- Select a Timed Cycle.
- Press MORE TIME or LESS TIME until the desired drying time is displayed. Tap MORE TIME or LESS TIME, and the time will change by 1-minute intervals. Press and hold MORE TIME or LESS TIME, and the time will change by 5-minute intervals.

NOTE: The Timed Cycle Adjust features can be used only with Timed Cycles.



- Press TEMPERATURE until the desired temperature illuminates.

To make changes to Time and/or Options during a Timed Cycle:

- Press STOP once.
 - Adjust the Time and/or Options.
5. (OPTIONAL STEP) If desired, select WRINKLE GUARD®. For more details, see “WRINKLE GUARD® 90.”
 6. (OPTIONAL STEP) The Cycle Signal is preset to on. If desired, you may turn the Cycle Signal off.
 7. Press and hold START for approximately 1 second until dryer starts. Be sure the door is closed.
 - If you do not press Start within 5 minutes of selecting a cycle, the dryer automatically shuts off.

Stopping or Restarting Your Dryer

To pause/stop the dryer at any time

Open the door or press STOP once.

To restart the dryer

Close the door. Press and hold START until dryer starts.

To end/cancel your dryer at any time

Press STOP twice or open the door.

NOTE: Drying will continue from where the cycle was interrupted if you close the door and press Start within 5 minutes. If the cycle is interrupted for more than 5 minutes, the dryer will shut off. Select new cycle settings before restarting the dryer.

Lock Controls

This feature allows you to lock your settings to avoid unintended use of the dryer. You can also use the control lock feature to avoid unintended cycle or option changes during dryer operation.

To enable the control lock feature:

Press and hold the CYCLE SIGNAL button for 3 seconds. The CONTROLS LOCKED icon lights up, and a single beep tone is heard. To unlock, press and hold the CYCLE SIGNAL button for 3 seconds. The indicator light turns off.

Drying and Cycle Tips

Select the correct cycle and dryness level or temperature for your load. If an Auto Cycle is running, the display shows the estimated cycle time, which is determined by your dryer automatically sensing the dryness level of your load. If a Timed Cycle is running, the display shows the exact number of minutes remaining in the cycle.

Cool Down tumbles the load without heat during the last few minutes of all cycles. Cool Down makes the loads easier to handle and reduces wrinkling. The length of the Cool Down depends on the load size and dryness level.

Drying tips

- Follow care label directions when they are available.
- If desired, add a fabric softener sheet. Follow package instructions.
- To reduce wrinkling, remove the load from the dryer as soon as tumbling stops. This is especially important for permanent press, knits, and synthetic fabrics.
- Avoid drying heavy work clothes together with lighter fabrics. This could cause overdrying of lighter fabrics and lead to increased shrinkage or wrinkling.

Cycle tips

- Dry most loads using the preset cycle settings.
- Refer to the Auto Cycles or Timed Cycles Preset Settings chart (in the “Cycles” section) for a guide to drying various loads.
 - Drying temperature and Dryness Level are preset when you choose an Auto Cycle. You can select a different dryness level, depending on your load, by pressing Dryness Level and choosing More or Less.

NOTE: You cannot use the Timed Cycle Adjust and you cannot modify temperature with the Auto Dry cycles.
 - If you wish to adjust the cycle length of a Timed Cycle, press More Time or Less Time. Adjust the temperature of a Timed Cycle by pressing TEMPERATURE until the desired temperature is selected.

NOTE: You cannot use the Dryness Level with Timed Cycles.

Status Lights

Follow the progress of your dryer with the drying Status indicator lights.

STATUS



Controls Locked

Check Lint Screen

Wet

The Wet light illuminates at the beginning of an Auto Cycle if a wet item is detected.

- In an Auto Cycle, if a wet item is not detected after approximately 5 minutes, the dryer goes directly into Cool Down and the Cool Down and WRINKLE GUARD® indicators illuminate, if selected.
- In a Timed Cycle, wet items are not detected. The dryer will continue to run for the length of time selected, and the Wet light will illuminate. The damp light will not illuminate.

Damp

The Damp light illuminates in an Auto Cycle when the laundry is approximately 80% dry.

Cool Down

The Cool Down light illuminates during the cool down part of the cycle. Laundry cools for ease in handling.

Clothes Dry

The Clothes Dry light illuminates when the drying cycle is finished. This indicator stays on during WRINKLE GUARD®.

WRINKLE GUARD®

The WRINKLE GUARD® light illuminates when this option is selected. This indicator stays on with Clothes Dry.

Check Lint Screen

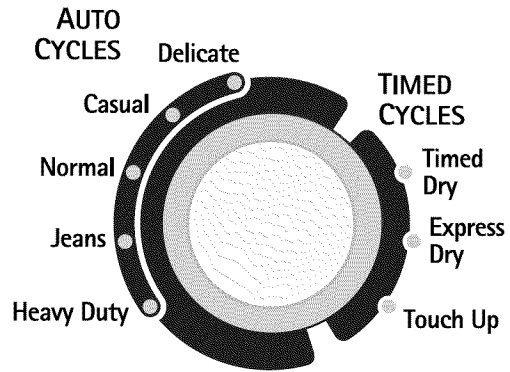
The Check Lint Screen light is a reminder to check to see whether the lint screen needs to be cleaned. The Check Lint Screen light will come on when the machine is turned on. The light will flash until the cycle is started or the door is opened, and then the light will turn off.

Indicator lights

Other indicator lights show Cycle, Options and Modifier settings selected.

Cycles

Select the drying cycle that matches the type of load you are drying. See the Auto Cycles Preset Settings chart or the Timed Cycles Preset Settings chart.



Auto Cycles

Auto Cycles allow you to match the cycle to the load you are drying. See the following Auto Cycles Preset Settings chart. Each cycle dries certain fabrics at the recommended temperature. A sensor detects the moisture in the load and automatically adjusts the drying time for optimal drying.

Heavy Duty

Use this cycle to get high heat for heavy fabrics such as cotton towels or bedspreads.

Jeans

Use this cycle to get medium-high heat for drying denims.

Normal

Use this cycle to get medium heat for drying sturdy fabrics such as sturdy work clothes.

Casual

Use this cycle to get low heat for drying no-iron fabrics such as sport shirts, casual business clothes and permanent press blends.

Delicate

Use this cycle to get extra low heat for drying synthetic fabrics, washable knit fabrics and no-iron finishes.

Auto Cycles Preset Settings

Auto Cycles Load Type	Temperature	Time* (Minutes)
HEAVY DUTY Heavyweight mixed loads, towels	High	45
JEANS Denim pants, jackets	Medium High	55
NORMAL Sheets, corduroys, sturdy work clothes	Medium	40
CASUAL Permanent press, synthetics, casual business clothes	Low	35
DELICATE Lingerie, blouses	Extra Low	30

*Estimated time with dryness level (normal) setting. Time will vary depending on load type and load size.

Timed Cycles

Use Timed Cycles to select a specific amount of drying time and a drying temperature. When a Timed Cycle is selected, the Estimated Time Remaining display shows the actual time remaining in your cycle. You can change the actual time in the cycle by pressing More Time or Less Time. See "Changing Cycles, Options and Modifiers."

Timed Dry

Use this cycle to complete drying if items are still damp after an Auto Cycle. Timed Dry is also useful for drying heavyweight and bulky items such as bedspreads and work clothes.

EXPRESS DRY™

Use this cycle for drying small loads or loads that need a short drying time.

Touch Up

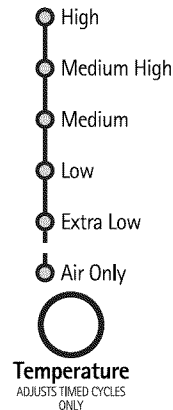
Use this cycle to help smooth out wrinkles from items such as clothes packed in a suitcase or items wrinkled from being left in the dryer too long.

Timed Cycles Preset Settings

Timed Cycles Load Type	Temperature	Default Time (Minutes)
TIMED DRY Heavyweight, bulky items, bedspreads, work clothes	High	40
EXPRESS DRY™ Small loads, sturdy fabric	High	23
TOUCH UP Helps to smooth out wrinkles	Medium High	20

Modifiers

Use Modifiers to select temperatures for the Timed Cycles only. Press TEMPERATURE until the desired temperature setting glows. Temperature modifiers cannot be used with the Auto Cycles.



Air Only

Use the Air Only Modifier for items that require drying without heat such as rubber, plastic and heat-sensitive fabrics. This table shows examples of items that can be dried using Air Only.

Type of Load	Time* (Minutes)
Foam rubber - pillows, padded bras, stuffed toys	20 - 30
Plastic - Shower curtains, tablecloths	20 - 30
Rubber-backed rugs	40 - 50
Olefin, polypropylene, sheer nylon	10 - 20

*Reset cycle to complete drying, if needed.

When using Air Only

- Check that coverings are securely stitched.
- Shake and fluff pillows by hand periodically during the cycle.
- Dry item completely. Foam rubber pillows are slow to dry.

NOTE: Air Only is not available with Auto Cycles.

Options

You can customize your cycles by selecting options.



WRINKLE GUARD® 90

WRINKLE GUARD® 90 helps smooth out wrinkles that form when you cannot unload the dryer promptly at the end of a cycle. During this option, the dryer periodically starts and stops, tumbling the load for 90 minutes.

- Press WRINKLE GUARD® 90 to get up to 90 minutes of heat-free, periodic tumbling at the end of a cycle.
- Stop WRINKLE GUARD® 90 at any time by pressing WRINKLE GUARD® 90 or opening the dryer door.
- WRINKLE GUARD® 90 is preset to OFF. The Auto Dry cycles will retain the WRINKLE GUARD® 90 setting. For example, if you select WRINKLE GUARD® 90 in the Normal cycle, WRINKLE GUARD® 90 will be on the next time you select the Normal cycle.

NOTE: WRINKLE GUARD® 90 must be selected with a cycle in order to work. If you do not select WRINKLE GUARD® 90, the dryer stops after cool down.

Cycle Signal

The Cycle Signal produces an audible sound when the drying cycle is finished. Promptly removing clothes at the end of the cycle reduces wrinkling.

Press CYCLE SIGNAL to turn the signal off.

NOTE: When WRINKLE GUARD® 90 is selected and the Cycle Signal is on, a tone sounds every 5 minutes until the clothes are removed, or WRINKLE GUARD® 90 ends.

Changing Cycles, Options and Modifiers

You can change Auto Cycles, Timed Cycles, Modifiers and Options anytime before pressing Start.

- Three short tones sound if an unavailable combination is selected. The last selection will not be accepted.

Changing Cycles after pressing Start

1. Press STOP twice. This ends the current cycle.
2. Select the desired cycle and options.
3. Press and hold START. The dryer starts at the beginning of the new cycle.

NOTE: If you do not press Start within 5 minutes of selecting the cycle, the dryer automatically shuts off.

Changing Modifiers and Options after pressing Start

You can change a Modifier or Option anytime before the selected Modifier or Option begins.

1. Press STOP once.
2. Select the new Modifier and/or Option.
3. Press and hold START to continue the cycle.

NOTE: If you happen to press Stop twice, the program clears and your dryer shuts down. Restart the selection process.

TUMBLE FREE™ Non-Heated Dryer Rack

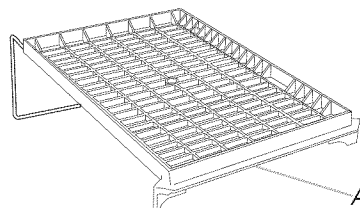
The dryer rack is shipped in place in your dryer. Remove and discard any packing material before use.

Use the TUMBLE FREE™ Non-Heated Dryer Rack for items that you do not want to tumble dry, such as sweaters.

To use the dryer rack

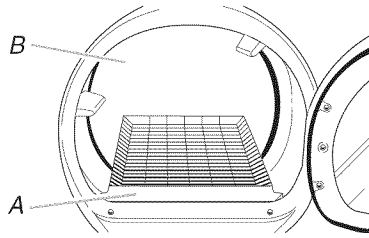
Do not remove the lint screen.

1. Open dryer door.



A. Front edge

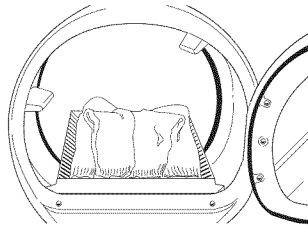
- Place dryer rack inside dryer drum, positioning the back wire on the ledge of the inner dryer back panel. Push down on front edge of dryer rack to secure over the lint screen.



A. Dryer rack front edge
B. Dryer back panel

- Put the wet items on top of the rack. Leave space between the items so air can reach all the surfaces.

NOTE: Do not allow items to hang over the edge of the rack.



- Close the door.
- Press the POWER button.
- Select a timed cycle and temperature (see following chart). Items containing foam, rubber, or plastic must be dried on a clothesline or by using the Air Only temperature setting.

- You may change the cycle time by pressing MORE TIME or LESS TIME. Reset time as needed to complete drying. Refer to the following table.

- Press (and hold) START button (about 3 seconds).

NOTE: You must remove rack for normal tumbling. Do not use automatic cycles with the dryer rack.

This chart shows examples of items that can be rack dried and the suggested temperature setting and drying time. Actual drying time will depend on the amount of moisture items hold.

Rack Dry	Setting	Temp.	Time*
Wool Sweaters Block to shape and lay flat on the rack.	Timed Cycles	Low	60
Stuffed toys or pillows Cotton or polyester fiber filled	Timed cycles	Low	60
Stuffed toys or pillows Foam rubber filled	Timed cycles	Air Only (no heat)	90
Sneakers or canvas shoes	Timed cycles	Air Only (no heat)	90

*(Minutes) Reset time to complete drying, if needed.

DRYER CARE

Cleaning the Dryer Location

Keep dryer area clear and free from items that would obstruct the flow of combustion and ventilation air.

⚠ WARNING



Explosion Hazard

Keep flammable materials and vapors, such as gasoline, away from dryer.

Place dryer at least 18 inches (46 cm) above the floor for a garage installation.

Failure to do so can result in death, explosion, or fire.

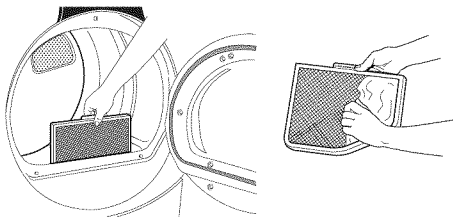
Cleaning the Lint Screen

Every load cleaning

The lint screen is located in the door opening of the dryer. The control panel has an indicator light to remind you to clean the lint screen before each load. A screen blocked by lint can increase drying time.

To clean

1. Pull the lint screen straight up. Roll lint off the screen with your fingers. Do not rinse or wash screen to remove lint. Wet lint is hard to remove.



2. Push the lint screen firmly back into place.

IMPORTANT:

- Do not run the dryer with the lint screen loose, damaged, blocked, or missing. Doing so can cause overheating and damage to both the dryer and fabrics.
- Some towels made of synthetic fibers and natural fibers (polyester and cotton blends) may shed more lint than other towels, causing your dryer's lint screen to fill up faster. Be sure to remove lint from the lint screen before and after drying new towels.
- If lint falls off the screen into the dryer during removal, check the exhaust hood and remove the lint. See "Venting Requirements."

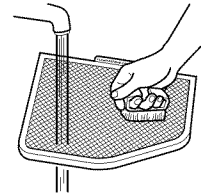
As needed cleaning

Laundry detergent and fabric softener residue can build up on the lint screen. This buildup can cause longer drying times for your clothes, or cause the dryer to stop before your load is completely dry. The screen is probably clogged if lint falls off while the screen is in the dryer.

Clean the lint screen with a nylon brush every 6 months, or more frequently, if it becomes clogged due to a residue buildup.

To wash

1. Roll lint off the screen with your fingers.
2. Wet both sides of lint screen with hot water.
3. Wet a nylon brush with hot water and liquid detergent. Scrub lint screen with the brush to remove residue buildup.



4. Rinse screen with hot water.
5. Thoroughly dry lint screen with a clean towel. Replace screen in dryer.

Cleaning the Dryer Interior

To clean dryer drum

1. Make a paste with powdered laundry detergent and very warm water.
2. Apply paste to a soft cloth.

OR

Apply a liquid, nonflammable household cleaner to the stained area and rub with a soft cloth until all excess dye and stains are removed.

3. Wipe drum thoroughly with a damp cloth.
4. Tumble a load of clean cloths or towels to dry drum.

NOTE: Garments that contain unstable dyes, such as denim blue jeans or brightly colored cotton items, may discolor the dryer interior. These stains are not harmful to your dryer and will not stain future loads of clothes. Dry unstable dye items inside out to avoid transfer of dye.

Removing Accumulated Lint

From Inside the Dryer Cabinet

Lint should be removed every 2 years, or more often, depending on dryer usage. Cleaning should be done by a qualified person.

From the Exhaust Vent

Lint should be removed every 2 years, or more often, depending on dryer usage.

Vacation and Moving Care

Vacation care

Operate your dryer only when you are at home. If you will be on vacation or not using your dryer for an extended period of time, you should:

1. Unplug dryer or disconnect power.
2. Clean lint screen. See “Cleaning the Lint Screen.”


Moving care

For power supply cord-connected dryers:

1. Unplug the power supply cord.
2. Make sure leveling legs are secure in dryer base.
3. Use masking tape to secure dryer door.

For direct-wired dryers:

⚠ WARNING



Electrical Shock Hazard

Disconnect power before servicing.

Replace all parts and panels before operating.

Failure to do so can result in death or electrical shock.

1. Disconnect power.
2. Disconnect wiring.
3. Make sure leveling legs are secure in dryer base.
4. Use masking tape to secure dryer door.

TROUBLESHOOTING

First try the solutions suggested here and possibly avoid the cost of a service call...

Dryer Operation

Dryer will not run

- **Has a household fuse blown, or has a circuit breaker tripped?**
There may be 2 fuses or circuit breakers for the dryer. Check to make sure both fuses are intact and tight, or that both circuit breakers have not tripped. Replace the fuse or reset the circuit breaker. If the problem continues, call an electrician.
- **Is the correct power supply available?**
Electric dryers require 240 volt power supply. Check with a qualified electrician.
- **Was a regular fuse used?**
Use a time-delay fuse.
- **Is the dryer door firmly closed?**
- **Was the Power button pressed?**
- **Was the Start button firmly pressed?**
Press and hold for 1 second.

No heat

- **Has a household fuse blown, or has a circuit breaker tripped?**
The drum may be turning, but you may not have heat. Electric dryers use 2 fuses or circuit breakers. Replace the fuse or reset the circuit breaker. If the problem continues, call an electrician.

Unusual sounds

- **Has the dryer had a period of non-use?**
If the dryer hasn't been used for a while, there may be a thumping sound during the first few minutes of operation.
- **Is a coin, button, or paper clip caught between the drum and front or rear of the dryer?**
Check the front and rear edges of the drum for small objects. Clean out pockets before laundering.
- **Are the four legs installed, and is the dryer level front to back and side to side?**
The dryer may vibrate if not properly installed. See "Installation Instructions."
- **Is the clothing knotted or balled up?**
When balled up, the load will bounce, causing the dryer to vibrate. Separate the load items and restart the dryer.

Dryer displaying code message

- **"PF" (power failure), check the following:**
Was the drying cycle interrupted by a power failure? Press POWER, and then press and hold START to restart the dryer.
- **"E" Variable (E1, E2, E3) service codes:**
Call for service.

Dryer Results

Clothes are not drying satisfactorily, drying times are too long, or load is too hot

- **Is the lint screen clogged with lint?**
Lint screen should be cleaned before each load.

⚠ WARNING



Fire Hazard

Use a heavy metal vent.

Do not use a plastic vent.

Do not use a metal foil vent.

Failure to follow these instructions can result in death or fire.

- **Is the exhaust vent or outside exhaust hood clogged with lint, restricting air movement?**
Run the dryer for 5-10 minutes. Hold your hand under the outside exhaust hood to check air movement. If you do not feel air movement, clean exhaust system of lint or replace exhaust vent with heavy metal or flexible metal vent. See "Venting Requirements."
- **Are fabric softener sheets blocking the grille?**
Use only one fabric softener sheet, and use it only once.
- **Is the exhaust vent the correct length?**
Check that the exhaust vent is not too long or has too many turns. Long venting will increase drying times. See "Plan Vent System."
- **Is the exhaust vent diameter the correct size?**
Use 4" (10.2 cm) diameter vent material.

⚠ WARNING



Explosion Hazard

Keep flammable materials and vapors, such as gasoline, away from dryer.

Place dryer at least 18 inches (46 cm) above the floor for a garage installation.

Failure to do so can result in death, explosion, or fire.

- **Is the dryer located in a room with temperature below 45°F (7°C)?**
Proper operation of dryer cycles requires temperatures above 45°F (7°C).
- **Is the dryer located in a closet?**
Closet doors must have ventilation openings at the top and bottom of the door. The front of the dryer requires a minimum of 1" (2.5 cm) of airspace, and, for most installations, the rear of the dryer requires 5" (12.7 cm). See "Installation Instructions."
- **Has the Air Only modifier been selected?**
Select the right cycle for the types of garments being dried. See "Modifiers."
- **Is the load too large and heavy to dry quickly?**
Separate the load to tumble freely.

Cycle time too short

⚠ WARNING

Excessive Weight Hazard

Use two or more people to move and install dryer.

Failure to do so can result in back or other injury.

- **Is the automatic cycle ending early?**
The load may not be contacting the sensor strips. Level the dryer.

Change the dryness level setting on Auto Cycles. Increasing or decreasing the dryness level will change the amount of drying time in a cycle.

Do not use a dryer rack with an Auto Cycle.

Lint on load

- **Is the lint screen clogged?**
Clean lint screen. Check for air movement.

Stains on load or drum

- **Was dryer fabric softener properly used?**
Add dryer fabric softener sheets at the beginning of the cycle. Fabric softener sheets added to a partially dried load can stain your garments.

Drum stains are caused by dyes in clothing (usually blue jeans). This will not transfer to other clothing.

Loads are wrinkled

- **Was the load removed from dryer at the end of the cycle?**
- **Was the dryer overloaded?**
Dry smaller loads that can tumble freely.

Odors

- **Have you recently been painting, staining or varnishing in the area where your dryer is located?**
If so, ventilate the area. When the odors or fumes are gone from the area, rewash and dry the clothing.
- **Is the dryer being used for the first time?**
The new electric heating element may have an odor. The odor will be gone after the first cycle.

ÍNDICE

CONTRATOS DE PROTECCIÓN	29	USO DE LA SECADORA	47
GARANTÍA	30	Puesta en marcha de la secadora	47
SEGURIDAD DE LA SECADORA	31	Detención o reanudación de la marcha de la secadora.....	48
INSTRUCCIONES DE INSTALACIÓN	32	Bloqueo de los controles	48
Herramientas y piezas	32	Sugerencias de ciclos y secado	48
Pedestal opcional	32	Luces de estado.....	49
Requisitos de ubicación	32	Ciclos.....	49
Requisitos eléctricos.....	34	Modificadores	50
Conexión eléctrica	36	Opciones	51
Requisitos de ventilación.....	41	Cambio de ciclos, opciones y modificadores	51
Planificación del sistema de ventilación.....	42	Estante no térmico de la secadora TUMBLE FREE™	51
Instalación del sistema de ventilación.....	43	CUIDADO DE LA SECADORA	52
Instalación de las patas niveladoras.....	44	Limpieza del lugar donde está la secadora.....	52
Conexión del ducto de escape.....	44	Limpieza del filtro de pelusa	52
Nivelación de la secadora.....	44	Limpieza del interior de la secadora	53
Cómo invertir el cierre de la puerta	45	Eliminación de pelusa acumulada	53
Complete la instalación	46	Cuidado para las vacaciones y la mudanza.....	53
		SOLUCIÓN DE PROBLEMAS	54
		NÚMEROS DE SERVICIO	CONTRAPORTADA

CONTRATOS DE PROTECCIÓN

Contratos maestros de protección

¡Felicitaciones por su inteligente adquisición! Su nuevo producto Kenmore® está diseñado y fabricado para proporcionarle años de funcionamiento confiable. Pero al igual que todos los productos, puede necesitar mantenimiento preventivo o reparación de vez en cuando. Es allí donde el Contrato maestro de protección puede ahorrarle dinero e inconvenientes.

El Contrato maestro de protección también ayuda a prolongar la vida de su nuevo producto. He aquí lo que se incluye en el Contrato*:

- ✓ **Piezas y mano de obra** necesarias para ayudar a mantener los productos funcionando correctamente **bajo uso normal**, no sólo en caso de defectos. Nuestra cobertura va **mucho más allá de la garantía del producto**. No existen deducibles ni fallas de funcionamiento que estén excluidas de la cobertura — **protección verdadera**.
- ✓ **Servicio experto** a cargo de un personal de más de 10.000 **técnicos de servicio autorizados por Sears**, lo que significa que su producto será reparado por alguien en quien usted puede confiar.
- ✓ **Llamadas de servicio ilimitado y servicio en todo el país**, con la frecuencia que usted desee, cuando usted desee.
- ✓ **Garantía “sin disgustos”** – reemplazo de su producto protegido si ocurren cuatro fallas o más del producto en el transcurso de doce meses.
- ✓ **Reemplazo del producto** si su producto protegido no puede ser reparado.
- ✓ **Revisión anual de mantenimiento preventivo** a solicitud suya – sin costo adicional.
- ✓ **Ayuda rápida por teléfono** – lo que nosotros llamamos **Solución rápida** – apoyo por teléfono a cargo de un representante de Sears para todos los productos. Piense en nosotros como si fuéramos un “manual parlante para el propietario”.

- ✓ **Protección de sobrevoltaje** contra daños eléctricos debido a fluctuaciones de electricidad.
- ✓ **Protección por pérdida de comida, por un valor anual de \$250**, por cualquier pérdida de comida que sea como resultado de fallas mecánicas de cualquier refrigerador o congelador cubierto bajo la garantía.
- ✓ **Reembolso de la renta** si la reparación de su producto protegido tarda más de lo prometido.
- ✓ **10% de descuento** sobre el precio común por el servicio de reparación que no esté bajo protección, así como también las piezas relacionadas con el mismo que se hayan instalado.

Una vez adquirido el Contrato, tan sólo tiene que llamar para fijar la visita de servicio técnico. Usted puede llamar a cualquier hora, de día o de noche, o fijar una visita técnica en Internet.

El Contrato maestro de protección es una compra sin riesgo. Si por algún motivo usted lo cancela durante el período de la garantía del producto, le proveeremos un reembolso total. O un reembolso proporcional en cualquier momento posterior a la expiración del período de la garantía. ¡Adquiera hoy su Contrato maestro de protección!

Se aplican algunas limitaciones y exclusiones. Para obtener precios e información adicional en EE.UU., llame al 1-800-827-6655.

***La cobertura en Canadá varía en algunos artículos. Para obtener los detalles completos, llame a Sears Canada al 1-800-361-6665.**

Servicio de Instalación de Sears

Para la instalación profesional de Sears de aparatos electrodomésticos, abridores de puertas de garaje, calentadores de agua y otros artículos principales del hogar, en los EE.UU. o en Canadá llame al **1-800-4-MY-HOME®**.

GARANTÍA DE LOS ELECTRODOMÉSTICOS Y LOS PEDESTALES OPCIONALES KENMORE

GARANTÍA LIMITADA DE UN AÑO

Cuando este electrodoméstico haya sido instalado, operado y mantenido según las instrucciones provistas con el producto, si este electrodoméstico falla por defectos de material o de mano de obra dentro de un año a partir de la fecha de compra, llame al 1-800-4-MY-HOME® para gestionar la reparación libre de cargo.

Si este electrodoméstico es empleado para algún otro uso que no sea el doméstico familiar, esta garantía sólo tiene vigencia por 90 días a partir de la fecha de compra.

ESTA GARANTÍA CUBRE SOLAMENTE LOS DEFECTOS DE MATERIAL Y MANO DE OBRA. SEARS NO PAGARÁ POR LO SIGUIENTE:

1. Los artículos no reutilizables que pueden gastarse por el uso normal, incluyendo, pero sin limitación, filtros, correas, focos y bolsas.
2. Un técnico de servicio para enseñarle al usuario cómo instalar, operar o mantener el producto adecuadamente.
3. Un técnico de servicio para limpiar o mantener este producto.
4. Daños a este producto o fallas del mismo en caso de no ser instalado, operado o mantenido conforme a todas las instrucciones provistas con el producto.
5. Daños a este producto o fallas del mismo como resultado de accidente, abuso, uso indebido o un uso diferente de aquel para el cual fue creado.
6. Daños a este producto o fallas del mismo causados por el uso de detergentes, limpiadores, productos químicos o utensilios diferentes de los recomendados en todas las instrucciones provistas con el producto.
7. Daños a piezas o sistemas o fallas de los mismos como resultado de modificaciones no autorizadas que se hayan efectuado en este producto.

EXCLUSIÓN DE GARANTÍAS IMPLÍCITAS; LIMITACIÓN DE RECURSOS

El único y exclusivo recurso del cliente según los términos de esta garantía limitada será el de reparar el producto según se estipula en la presente. Las garantías implícitas, incluyendo las garantías de comerciabilidad o de capacidad para un propósito particular, serán limitadas a un año o al período más corto permitido por ley. Sears no se hará responsable por daños incidentales o consecuentes. Algunos estados y provincias no permiten la exclusión o limitación de daños incidentales o consecuentes, o limitaciones acerca de cuánto debe durar una garantía implícita de comerciabilidad o capacidad, de modo que las limitaciones o exclusiones arriba mencionadas pueden no aplicarse en su caso.

Esta garantía se aplica sólo mientras este electrodoméstico se usa en los Estados Unidos y Canadá.

Esta garantía le otorga derechos legales específicos, y es posible que usted tenga también otros derechos, los cuales varían de un estado a otro.

Sears, Roebuck and Co.
Dept. 817WA, Hoffman Estates, IL 60179

Sears Canada Inc.
Toronto, Ontario, Canada M5B 2B8

REGISTRO DEL PRODUCTO

En el espacio a continuación, anote el número completo de modelo y serie así como la fecha de compra. Usted puede encontrar esta información en la etiqueta con el número de modelo y de serie ubicada en el producto.

Tenga esta información disponible para facilitarle la obtención de asistencia o servicio con prontitud siempre que llame a Sears con respecto a su electrodoméstico.

Número de modelo _____.

Número de serie _____.

Fecha de compra _____.

Guarde estas instrucciones y su comprobante de compra para referencia futura.

REGISTRO DE PRODUCTO DEL PEDESTAL

En el espacio a continuación, anote el número completo de modelo y serie así como la fecha de compra. Usted puede encontrar esta información en la etiqueta con el número de modelo y de serie ubicada en el producto.

Tenga esta información disponible para facilitarle la obtención de asistencia o servicio con prontitud siempre que llame a Sears con respecto a su pedestal.

Número de modelo _____.

Número de serie _____.

Fecha de compra _____.

Guarde estas instrucciones y su comprobante de compra para referencia futura.

SEGURIDAD DE LA SECADORA

Su seguridad y la seguridad de los demás es muy importante.

Hemos incluido muchos mensajes importantes de seguridad en este manual y en su electrodoméstico. Lea y obedezca siempre todos los mensajes de seguridad.



Este es el símbolo de advertencia de seguridad.

Este símbolo le llama la atención sobre peligros potenciales que pueden ocasionar la muerte o una lesión a usted y a los demás.

Todos los mensajes de seguridad irán a continuación del símbolo de advertencia de seguridad y de la palabra "PELIGRO" o "ADVERTENCIA". Estas palabras significan:

⚠ PELIGRO

Si no sigue las instrucciones de inmediato, usted puede morir o sufrir una lesión grave.

⚠ ADVERTENCIA

Si no sigue las instrucciones, usted puede morir o sufrir una lesión grave.

Todos los mensajes de seguridad le dirán el peligro potencial, le dirán cómo reducir las posibilidades de sufrir una lesión y lo que puede suceder si no se siguen las instrucciones.

INSTRUCCIONES IMPORTANTES DE SEGURIDAD

ADVERTENCIA: A fin de reducir el riesgo de incendio, descarga eléctrica o de daño a las personas que usen la secadora, deben seguirse las precauciones básicas, incluidas las siguientes:

- Lea todas las instrucciones antes de usar la secadora.
- No coloque los objetos expuestos a aceite para cocinar en su secadora. Los objetos expuestos a aceites para cocinar pueden contribuir a una reacción química que podría causar que una carga se inflame.
- No seque artículos que ya se hayan limpiado, lavado, remojado o manchado con gasolina, disolventes de limpieza en seco, u otras sustancias inflamables o explosivas ya que despiden vapores que pueden encenderse o causar una explosión.
- No permita que jueguen los niños sobre o dentro de la secadora. Es necesaria la cuidadosa vigilancia de los niños toda vez que se use la secadora cerca de ellos.
- Quite la puerta de la secadora al compartimiento de secado antes de ponerla fuera de funcionamiento o de descartarla.
- No introduzca las manos en la secadora cuando el tambor está en movimiento.
- No instale o almacene esta secadora donde estará expuesta a agua o a la intemperie.
- No trate de forzar los controles.
- No repare o reemplace ninguna pieza de la secadora ni trate de repararla a menos que esto se recomiende específicamente en el Manual del propietario o en instrucciones de reparación publicadas para el usuario que usted comprenda y sólo si cuenta con la experiencia necesaria para llevar a cabo dicha reparación.
- No utilice suavizadores de tejidos o productos para eliminar el estático de prendas a menos que lo recomiende el fabricante del suavizador de tejidos o las instrucciones del producto en uso.
- No utilice calor para secar prendas que contengan espuma de caucho o materiales de caucho con textura similar.
- Limpie el filtro de pelusa antes o después de cada carga de ropa.
- Mantenga el área alrededor de la apertura de ventilación y las áreas adyacentes a esta apertura sin pelusa, polvo o tierra.
- La parte interior de la secadora y el ducto de escape se deben limpiar periódicamente. Esta limpieza la debe llevar a cabo un reparador calificado.
- Vea la instrucciones de instalación para los requisitos de conexión a tierra.

GUARDE ESTAS INSTRUCCIONES

INSTRUCCIONES DE INSTALACIÓN

Herramientas y piezas

Reúna las herramientas y piezas necesarias antes de comenzar la instalación. Lea y siga las instrucciones de seguridad provistas con cualquiera de las herramientas enlistadas aquí.

- Destornillador de hoja plana
- Destornillador Phillips # 2
- Llave de tuercas ajustable que se abra a 1" (2,54 cm) o una llave de cubo de cabeza hexagonal (para regular las patas de la secadora)
- Pelacables (instalaciones de cableado directo)
- Nivel
- Abrazaderas para ducto
- Pistola y masilla para calafateo (para instalar el nuevo ducto de escape)
- Tijeras de lata (instalaciones del nuevo ducto de escape)
- Llave para tuercas de ¼" o llave de cubo (se recomienda)
- Cinta para medir

Piezas suministradas

Retire el paquete de piezas del tambor de la secadora. Verifique que estén todas las piezas.



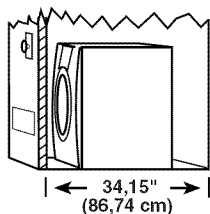
4 patas niveladoras

NOTA: No use patas niveladoras si va a instalar la secadora sobre un pedestal.

Piezas necesarias

Verifique los códigos locales; verifique el suministro eléctrico existente y la ventilación. Vea "Requisitos eléctricos" y "Requisitos de ventilación" antes de comprar las piezas.

- Para instalaciones de espacio limitado entre 28,65" (72,77 cm) y 34,15" (86,74 cm), vea la sección "Planificación del sistema de ventilación" para obtener los requisitos de ventilación.



Las instalaciones en casas rodantes necesitan artículos de ferretería para sistemas de ventilación de metal que se pueden comprar en su tienda Sears o en el centro de servicio técnico Sears de su localidad. Para más información, llame por favor al **1-800-4-MY-HOME® (1-800-469-4663)**.

Si emplea un cable de suministro eléctrico:

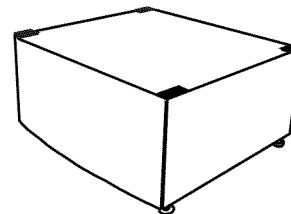
Use un juego aprobado de UL para cable de suministro eléctrico que esté marcado para ser usado en secadoras de ropa. El juego deberá contener:

- Un cable de suministro eléctrico de 30 amperios aprobado de UL, con 120/240 voltios mínimo. El cable deberá ser del tipo SRD o SRDT y deberá tener un largo de por lo menos 4 pies (1,22 m). Los hilos que conectan con la secadora deberán terminar en terminales de anillo o de horquilla con los extremos hacia arriba.
- Un protector de cables aprobado de UL.

Pedestal opcional

¿Va a colocar la secadora sobre un pedestal? Usted puede adquirir por separado un pedestal para esta secadora. Este pedestal agregará unas 10" (25,4 cm) de altura a su artefacto, dando una altura total de aproximadamente 46" (116,8 cm).

Para realizar una instalación en el garage, necesitará ubicar la secadora al menos 18" (46 cm) por encima del piso.



Pedestal opcional

El pedestal se encuentra disponible en:

Blanco – Pieza número 46822

Para hacer su pedido, llame a la tienda local de Sears. Para más información, llame por favor al **1-800-4-MY-HOME® (1-800-469-4663)**.

Juego para apilar

¿Está usted planeando apilar la lavadora y secadora Kenmore? Para hacer eso, busque el juego para apilar en el tambor de la secadora. Siga las instrucciones que se incluyen con el juego. Vea "Requisitos de ubicación".

Requisitos de ubicación

⚠ ADVERTENCIA



Peligro de Explosión

Mantenga los materiales y vapores inflamables, como la gasolina, lejos de la secadora.

Coloque la secadora a un mínimo de 46 cm sobre el piso para la instalación en un garage.

No seguir estas instrucciones puede ocasionar la muerte, explosión o incendio.

Usted necesitará

- Una ubicación que permita una instalación adecuada del ducto de escape. Consulte "Requisitos de ventilación".
- Un circuito separado de 30 amperios.
- Si está usando un cable de suministro de energía, un contacto con conexión a tierra ubicado a un máximo de 2 pies (61 cm) de cualquiera de los lados de la secadora. Vea "Requisitos eléctricos".

- Un piso resistente para soportar la secadora con un peso total de 127 lbs (57,6 kgs). Asimismo se debe considerar el peso de otro artefacto que la acompañe.
- Un piso nivelado con un declive máximo de 1" (2,5 cm) debajo de la secadora completa. (Si el declive es mayor que 1" [2,5 cm], instale el juego de extensión de patas de la secadora, Pieza No. 279810.) La ropa quizás no rote adecuadamente y los ciclos del sensor automático posiblemente no funcionen debidamente si la secadora no está nivelada.
- Para la instalación en un garaje, tendrá que colocar la secadora a una altura mínima de 18" (46 cm) encima del piso. Si va a usar un pedestal, necesitará 18" (46 cm) hasta la parte inferior de la secadora.

No ponga a funcionar su secadora en temperaturas que sean inferiores a 45°F (7°C). A temperaturas inferiores, es posible que la secadora no se apague al final de un ciclo automático. Los tiempos de secado pueden prolongarse.

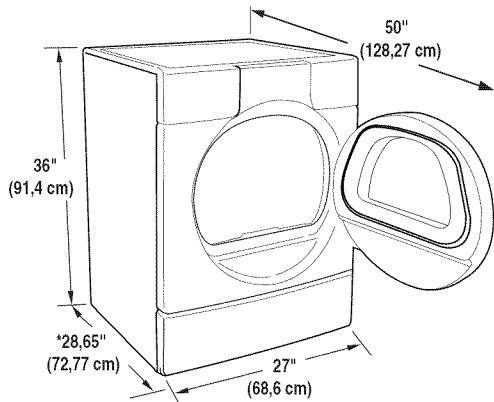
No debe instalarse ni guardarse la secadora en un área en donde pueda estar expuesta al agua y/o a la intemperie.

Verifique los requisitos de los códigos. Algunos códigos limitan, o no permiten, la instalación de la secadora en garajes, clósets, casas rodantes o en dormitorios. Póngase en contacto con el inspector de construcciones de su localidad.

Espacios para la instalación

La ubicación debe ser lo suficientemente grande para poder abrir completamente la puerta de la secadora.

Dimensiones de la secadora



*La mayoría de las instalaciones requieren un espacio libre mínimo de 5" (12,7 cm) detrás de la secadora para acomodar el ducto de escape con codo. Vea "Requisitos de ventilación".

Espacio para la instalación en un lugar empotrado o en un clóset

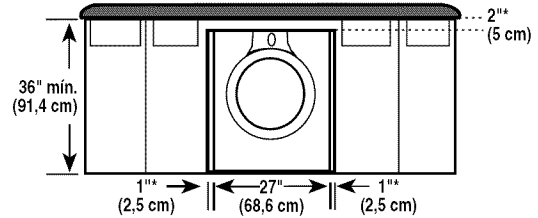
Se recomiendan las siguientes medidas de espacio para esta secadora. Esta secadora ha sido puesta a prueba para espacios de 0" (0 cm) en los costados y en la parte posterior. El espacio recomendado debe ser considerado por los siguientes motivos:

- Debe considerarse el espacio adicional para facilitar la instalación y el servicio técnico.
- Se podrían necesitar espacios libres adicionales para las molduras de la pared, de la puerta y del piso.
- Se recomienda espacio adicional en todos los lados de la secadora para reducir la transferencia de ruido.

- Para la instalación en clóset, con una puerta, se requieren aberturas de ventilación mínimas en la parte superior e inferior de la puerta. Se aceptan puertas tipo persianas con aberturas de ventilación equivalentes.
- También se debe considerar espacio adicional para otro electrodoméstico que le acompañe.

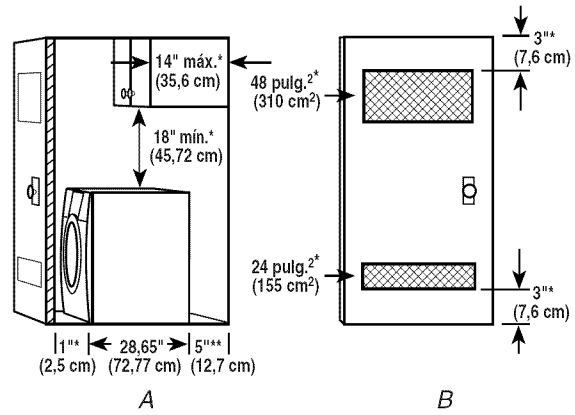
Espacio para la instalación a la medida debajo del mostrador

■ Instalación a la medida debajo del mostrador – Sólo secadora



*Espacio necesario

Instalación en el clóset – Sólo secadora

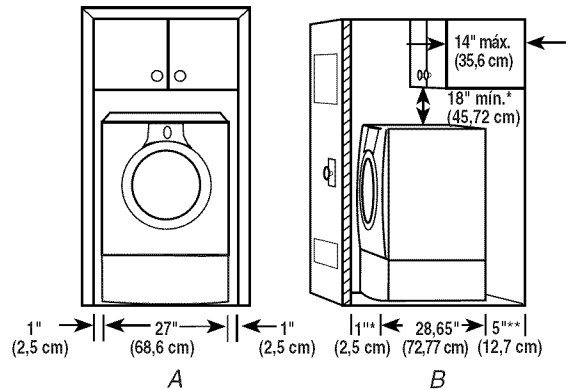


A. Vista lateral - clóset o área confinada
B. Puerta de clóset con orificios de ventilación

*Espacio necesario

**Para la ventilación lateral o por la parte inferior, se permite 0" (0 cm) de espacio.

Instalación empotrada o en el clóset – Secadora sobre el pedestal



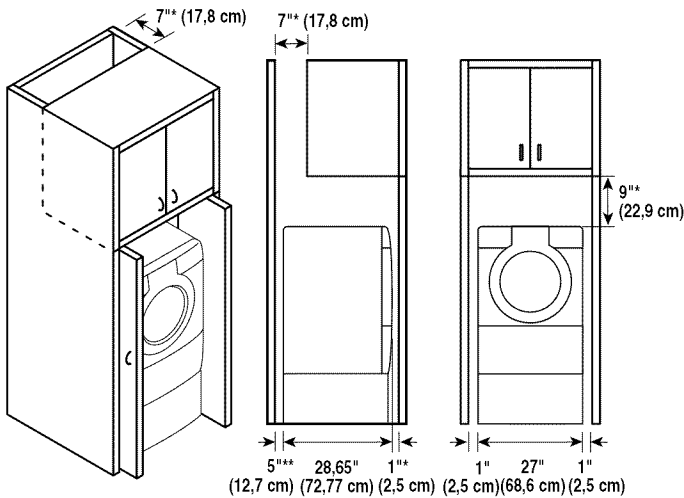
A. Lugar empotrado
B. Vista lateral - clóset o lugar confinado

*Espacio necesario

**Para la ventilación lateral o por la parte inferior, se permite 0" (0 cm) de espacio.

Espacio mínimo para la instalación en un armario

- Las dimensiones que se ilustran son para el espacio mínimo permitido.
- Para la instalación en un armario con puerta, se requieren las aberturas de ventilación mínimas en la parte superior del armario.

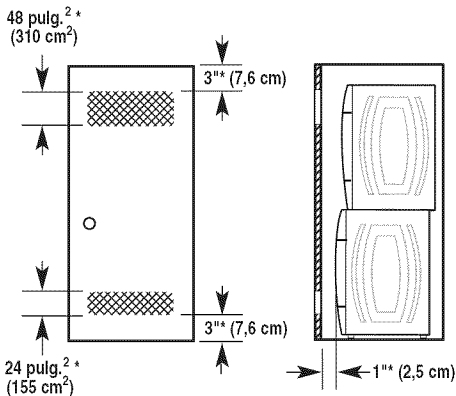


*Espacio necesario

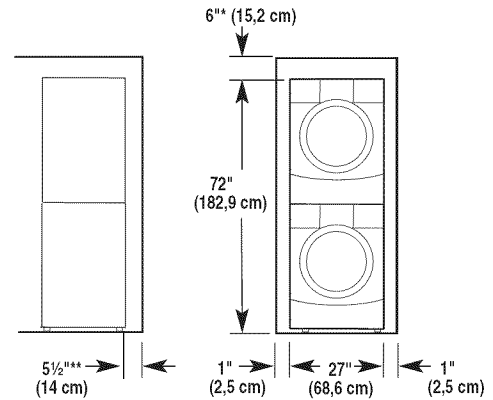
**Para la ventilación lateral o por la parte inferior, se permite 0" (0 cm) de espacio.

Recomendaciones de espacios de instalación para instalación empotrada o en el armario, con lavadora y secadora apiladas

Las dimensiones que se muestran son para los espacios recomendados.



*Espacio necesario



*Espacio necesario

**Para la ventilación lateral se permite 0" (0 cm) de espacio.

Requisitos de instalación adicionales para las casas rodantes

Esta secadora es apropiada para instalaciones en casas rodantes. La instalación debe ajustarse al Estándar de seguridad y construcción de casas fabricadas, Título 24 CFR, Parte 3280 (anteriormente conocido como Estándar federal para la seguridad y construcción de casas rodantes, Título 24, HUD Parte 280).

Las instalaciones en casas rodantes necesitan:

- Artículos de ferretería para sistemas de ventilación de metal, que se pueden comprar en su tienda Sears o en el centro de servicio técnico Sears de su localidad.
- Se deben tomar medidas especiales en el caso de casas rodantes para introducir el aire del exterior en la secadora. La abertura (como la de una ventana adyacente) deberá ser por lo menos el doble de tamaño que la abertura de ventilación de la secadora.

Requisitos eléctricos

Usted es responsable de

- Ponerse en contacto con un instalador eléctrico calificado.
- Asegurarse de que la conexión eléctrica sea adecuada y de conformidad con el Código Nacional Eléctrico, ANSI/NFPA 70 - última edición y con todos los códigos y ordenanzas locales.

El Código Nacional Eléctrico requiere una conexión de suministro eléctrico de 4 hilos para aquellos hogares construidos después de 1996, para los circuitos de secadora que se hayan remodelado después de 1996 y todas las instalaciones de casas rodantes.

Usted puede obtener una copia de todas las normas arriba indicadas en:
National Fire Protection Association, One Batterymarch Park, Quincy, MA 02269.

- Proveer el suministro eléctrico requerido de 3 ó 4 alambres, monofásico, de 120/240 voltios, 60 Hz, CA solamente (o un suministro eléctrico de 3 ó 4 alambres, de 120/208 voltios, si se especifica en la placa indicadora de corriente/de la serie) en un circuito separado de 30 amperios, protegido con fusibles en ambos lados de la línea. Se recomienda un fusible retardador o un cortacircuitos. Conecte a un circuito derivado individual. No ponga un fusible en el circuito neutro o de conexión a tierra.
- No use un cable eléctrico de extensión.
- Si los códigos lo permiten y se emplea un alambre de conexión a tierra separado, es recomendable que un electricista calificado determine si la trayectoria de conexión a tierra es adecuada.

Conexión eléctrica

Para instalar su secadora adecuadamente, usted debe determinar el tipo de conexión eléctrica que va a usar y seguir las instrucciones que aquí se proveen para el caso.

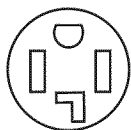
- Si los códigos locales no permiten la conexión de un conductor neutro conectado a tierra al alambre neutro, vea “Conexión opcional de 3 hilos” en la sección “Conexión eléctrica”.
- Esta secadora ha sido manufacturada lista para ser instalada en una conexión de suministro de energía eléctrica de 3 hilos. El hilo neutro de puesta a tierra está permanentemente conectado al conductor neutro (cable blanco) dentro de la secadora. Si la secadora está instalada con una conexión de suministro eléctrico de 4 hilos, el hilo neutro de puesta a tierra se debe quitar del tornillo conductor de puesta a tierra exterior (tornillo verde) y ajustar debajo del terminal neutro (cable central o blanco) del bloque de terminal. Cuando el hilo neutro de puesta a tierra esté ajustado debajo del terminal neutral (cable central o blanco) del bloque de terminal, la carcasa de la secadora queda aislada del conductor neutro.
- Deberá usarse una conexión con suministro de energía de 4 hilos cuando el aparato esté instalado en una ubicación en la cual esté prohibida la conexión a tierra a través del conductor neutro. Está prohibido hacer la puesta a tierra a través del conductor neutro para (1) las nuevas instalaciones de circuito derivado, (2) casas rodantes, (3) vehículos de recreación y (4) áreas donde los códigos locales prohíben la conexión a tierra a través de conductores neutros.

Si emplea un cable de suministro eléctrico:

Use un juego aprobado de UL para cable de suministro eléctrico que esté marcado para ser usado en secadoras de ropa. El juego deberá contener:

- Un cable de suministro eléctrico de 30 amperios aprobado de UL, con 120/240 voltios mínimo. El cable deberá ser del tipo SRD o SRDT y deberá tener un largo de por lo menos 4 pies (1,22 m). Los hilos que conectan con la secadora deberán terminar en terminales de anillo o de horquilla con los extremos hacia arriba.
- Un protector de cables aprobado de UL.

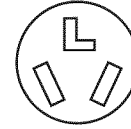
Si el contacto de pared luce como éste:



Contacto de 4 alambres (14-30R)

Entonces elija un cable de suministro eléctrico de 4 alambres con terminales de anillo o de horquilla y con protector de cables aprobado de UL. El cable de suministro eléctrico de 4 hilos, de por lo menos 4 pies (1,22 m) de largo, deberá tener 4 hilos de cobre de calibre 10 y coincidir con un receptáculo de 4 hilos tipo NEMA 14-30R. El hilo de conexión a tierra (conductor a tierra) puede ser verde o desnudo. El conductor neutro debe ser identificado por una cubierta blanca.

Si el contacto de pared luce como éste:



Contacto de 3 alambres (10-30R)

Entonces elija un cable de suministro eléctrico de 3 alambres con terminales de anillo o de horquilla y con protector de cables aprobado de UL. El cable de suministro eléctrico de 3 hilos, de por lo menos 4 pies (1,22 m) de largo, deberá tener 3 hilos de cobre de calibre 10 y coincidir con un receptáculo de 3 hilos tipo NEMA 10-30R.

Si hace la conexión con cableado directo:

El cable de suministro eléctrico debe ser igual al suministro eléctrico (de 4 alambres o de 3 alambres) y debe ser:

- Cable blindado flexible o cable de cobre forrado no metálico (con alambre de conexión a tierra), protegido con un conducto metálico flexible. Todos los alambres conductores de corriente deben estar aislados.
- Alambre de cobre sólido de calibre 10 (no utilice aluminio).
- Por lo menos 5 pies (1,52 m) de largo.

INSTRUCCIONES PARA LA CONEXIÓN A TIERRA

- Para la conexión de una secadora mediante cable eléctrico conectado a tierra:

Esta secadora debe estar conectada a tierra. En el caso de funcionamiento defectuoso o avería, la conexión a tierra reducirá el riesgo de choque eléctrico al proporcionar una vía de menor resistencia para la corriente eléctrica. Esta secadora usa un cable que cuenta con un conductor para la conexión a tierra del equipo y un enchufe de conexión a tierra. El enchufe debe conectarse en un contacto apropiado, que esté debidamente instalado y conectado a tierra de acuerdo con todos los códigos y ordenanzas locales.

- Para la conexión permanente de una secadora:

Esta secadora debe estar conectada a un sistema de cableado de metal permanente, conectado a tierra, o se debe tender un conducto para la conexión a tierra del equipo con los conductores de circuito y conectado al terminal de tierra del equipo o al conductor de suministro de la secadora.

ADVERTENCIA: La conexión indebida del conductor para la conexión a tierra del equipo puede ocasionar un riesgo de choque eléctrico. Verifique con un electricista, representante o personal de servicio técnico calificado para asegurarse de que la conexión a tierra de la secadora sea apropiada. No modifique el enchufe que viene con el cable eléctrico. Si no encaja en el contacto, contrate un electricista calificado para que instale un contacto adecuado.

GUARDE ESTAS INSTRUCCIONES

Cable de suministro eléctrico

⚠ **ADVERTENCIA**



Peligro de Incendio

- Use un cable de suministro eléctrico nuevo de 30 amperes que esté en la lista de UL.
- Use un protector de cables que esté en la lista de UL.
- Desconecte el suministro eléctrico antes de hacer las conexiones eléctricas.
- Conecte el alambre neutro (el blanco o el del centro) al terminal central (plateada).
- El alambre de tierra (el verde o el no aislado) se debe conectar con el conector verde de tierra.
- Conecte los 2 alambres de suministro restantes con las 2 terminales restantes (las doradas).
- Apriete firmemente todas las conexiones eléctricas.
- No seguir estas instrucciones puede ocasionar la muerte, incendio, o choque eléctrico.

Cable directo

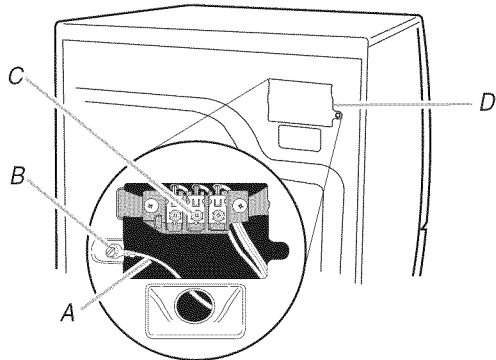
⚠ **ADVERTENCIA**



Peligro de Incendio

- Utilice alambres de cobre sólido de ancho 10.
- Use un protector de cables que esté en la lista de UL.
- Desconecte el suministro eléctrico antes de hacer las conexiones eléctricas.
- Conecte el alambre neutro (el blanco o el del centro) al terminal central (plateada).
- El alambre de tierra (el verde o el no aislado) se debe conectar con el conector verde de tierra.
- Conecte los 2 alambres de suministro restantes con las 2 terminales restantes (las doradas).
- Apriete firmemente todas las conexiones eléctricas.
- No seguir estas instrucciones puede causar la muerte, incendio o choque eléctrico.

1. Desconecte el suministro de energía.
2. Quite el tornillo de sujeción y la tapa del bloque de terminal.

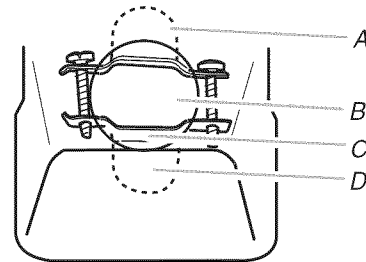


- A. Alambre de conexión a tierra neutro
- B. Tornillo conductor a tierra externo
- C. Tornillo del bloque de terminal de color plateado, del centro
- D. Tapa del bloque de terminal y tornillo de sujeción

3. Instale el protector de cables.

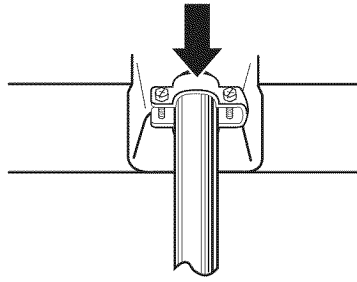
Estilo 1: Protector del cable de suministro eléctrico

- Quite los tornillos de un protector de cables de 3/4" (1,9 cm) que esté en la lista de UL (con la marca UL en el protector de cables). Coloque las lengüetas de las dos secciones de la abrazadera en el orificio que está debajo de la abertura del bloque de terminal de manera que una lengüeta esté apuntando hacia arriba y la otra esté apuntando hacia abajo, y sujételas en su lugar. Apriete los tornillos del protector de cables sólo lo suficiente para mantener las dos secciones de la abrazadera juntas.



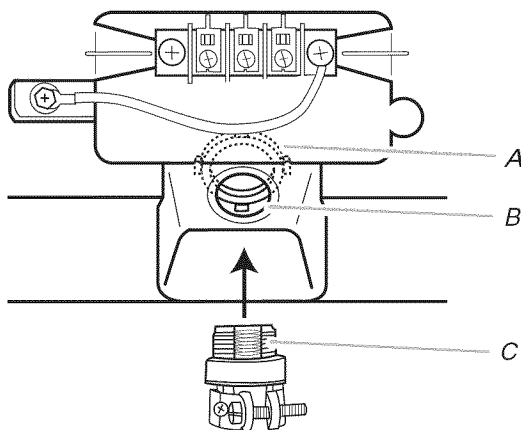
- A. Lengüeta del protector de cables apuntando hacia arriba
- B. Orificio debajo de la abertura del bloque de terminal
- C. Sección de la abrazadera
- D. Lengüeta del protector de cables apuntando hacia abajo

- Haga pasar el cable de suministro eléctrico a través del protector de cables. Asegúrese de que el aislamiento de alambre del cable de suministro eléctrico esté dentro del protector de cables. El protector de cables deberá encajar bien con la carcasa de la secadora y estar en posición horizontal. No ajuste más los tornillos del protector de cables en este momento.



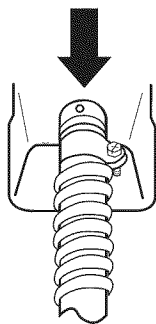
Estilo 2: Protector de cables para cable directo

- Desatornille el conector del conducto removible y cualquier tornillo del protector de cables de 3/4" (1,9 cm) que esté en la lista de UL (con la marca UL en el protector de cables). Haga pasar la sección roscada del protector de cables a través del orificio que está debajo de la abertura del bloque de terminal. Busque dentro de la abertura del bloque de terminal y atornille el conector del conducto removible sobre las roscas del protector de cables.



A. Conector del conducto removible
B. Orificio debajo de la abertura del bloque de terminal
C. Roscas del protector de cables

- Haga pasar el cable directo a través del protector de cables. El protector de cables deberá encajar bien con la carcasa de la secadora y estar en posición horizontal. Apriete el tornillo del protector de cables contra el cable de cableado directo.



- Ahora termine la instalación siguiendo las instrucciones para el tipo de su conexión eléctrica:

4 hilos (se recomienda)

3 hilos (si no dispone de alambre de 4 hilos)

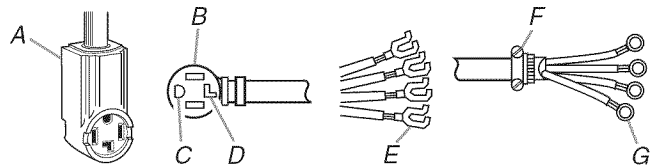
Opciones para la conexión eléctrica

Si su casa tiene:	Y usted va a conectar con:	Vaya a la sección
Un contacto de 4 hilos (tipo NEMA 14-30R)	Un cable de suministro eléctrico para secadora, aprobado de UL, de 120/240 voltios mínimo y 30 amperios*	Conexión de 4 hilos: Cable de suministro eléctrico
Cable directo de 4 hilos	Un desconector con fusible o una caja de disyuntor*	Conexión de 4 hilos: Cable directo
Contacto de 3 hilos (Tipo NEMA 10-30R)	Un cable de suministro eléctrico para secadora, aprobado de UL, de 120/240 voltios mínimo y 30 amperios*	Conexión de 3 hilos: Cable de suministro eléctrico
Cable directo de 3 hilos	Un desconector con fusible o una caja de disyuntor*	Conexión de 3 hilos: Cable directo

*Si los códigos locales no permiten la conexión de un conductor de conexión a tierra de la carcasa al alambre neutro, prosiga a la sección "Conexión opcional de 3 hilos".

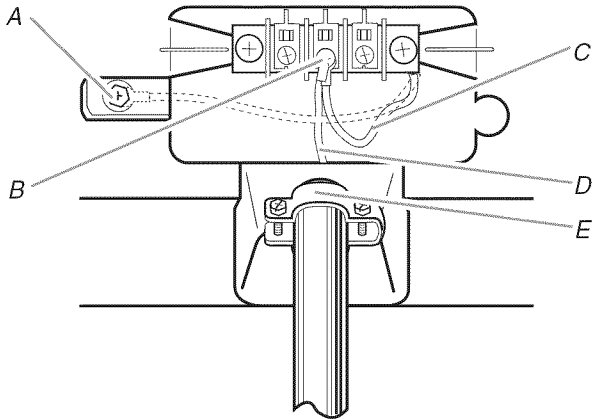
Conexión de 4 hilos: Cable de suministro eléctrico

IMPORTANTE: Se necesita una conexión de alambre de 4 hilos para las casas rodantes y para los casos en que los códigos locales no permitan el uso de conexiones de 3 hilos.



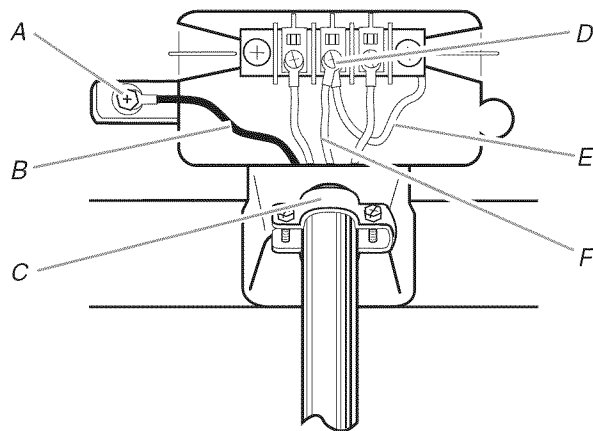
A. Contacto de cuatro alambres (tipo NEMA 14-30R)
B. Enchufe de 4 terminales
C. Terminal de conexión a tierra
D. Terminal neutro
E. Terminales de horquilla con los extremos hacia arriba
F. Protector de cables que esté en la lista de UL, de 3/4" (1,9 cm)
G. Terminales de anillo

1. Saque el tornillo central de color plateado del bloque de terminal.
2. Saque el hilo neutro de puesta a tierra del tornillo conductor de tierra externo. Conecte el hilo neutro de puesta a tierra y el hilo neutro (hilo blanco o central) del cable de suministro de energía debajo del tornillo central de color plateado del bloque de terminal. Apriete el tornillo.



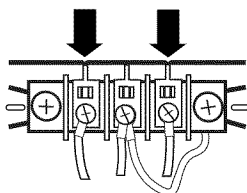
- A. Tornillo conductor de tierra externo – La línea punteada ilustra la posición del hilo de tierra NEUTRO antes de moverlo al tornillo central de color plateado del bloque de terminal.
 B. Tornillo central de color plateado del bloque de terminal
 C. Hilo neutro de puesta a tierra
 D. Hilo neutro (hilo blanco o central)
 E. Protector de cables de $\frac{3}{4}$ " (1,9 cm), que esté en la lista de UL

3. Conecte el hilo de tierra (verde o desnudo) del cable de suministro eléctrico al tornillo conductor de tierra externo. Apriete el tornillo.



- A. Tornillo conductor de tierra externo
 B. Hilo de tierra (verde o desnudo) del cable de suministro eléctrico
 C. Protector de cables que esté en la lista de UL de $\frac{3}{4}$ " (1,9 cm)
 D. Tornillo central de color plateado del bloque de terminal
 E. Hilo neutro de puesta a tierra
 F. Hilo neutro (hilo blanco o central)

4. Conecte los otros hilos a los tornillos exteriores del bloque de terminal. Apriete los tornillos.



5. Apriete los tornillos del protector de cables.
6. Introduzca la lengüeta de la cubierta del bloque de terminal en la ranura del panel posterior de la secadora. Asegure la cubierta con el tornillo de sujeción.

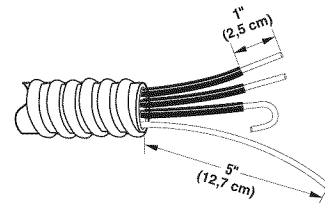
7. Usted ha completado la conexión eléctrica. Ahora vaya a "Requisitos de ventilación".

Conexión de 4 hilos: Cable directo

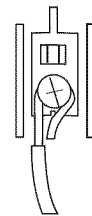
IMPORTANTE: Se necesita una conexión de alambre de 4 hilos para las casas rodantes y para los casos en que los códigos locales no permitan el uso de conexiones de 3 hilos.

El cable de conexión directa debe tener 5 pies (1,52 m) extra de largo para poder mover la secadora si fuese necesario.

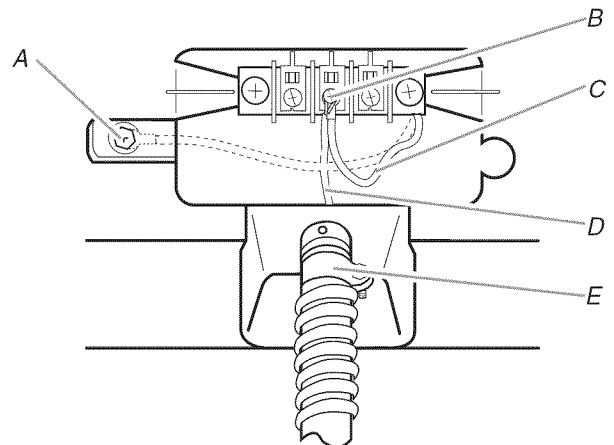
Pele 5" (12,7 cm) de la cubierta exterior desde el extremo del cable, dejando el hilo de tierra desnudo a 5" (12,7 cm). Corte $1\frac{1}{2}$ " (3,8 cm) de los 3 hilos restantes. Pele el aislamiento 1" (2,5 cm) hacia atrás. Doble los extremos de los hilos para formar un gancho.



Al conectar el hilo al bloque de terminal, coloque el extremo del hilo en forma de gancho debajo del tornillo del bloque de terminal (con el gancho mirando hacia la derecha). Apriete y junte el extremo en forma de gancho y apriete el tornillo, como se muestra.

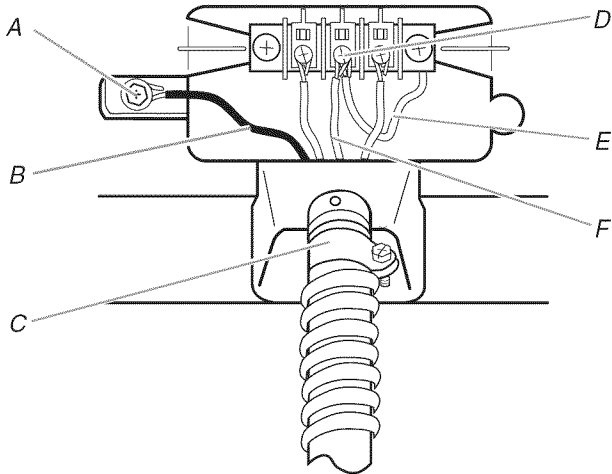


1. Saque el tornillo central de color plateado del bloque de terminal.
2. Saque el hilo neutro de puesta a tierra del tornillo conductor de tierra externo. Conecte el hilo neutro de puesta a tierra y coloque el extremo en forma de gancho (con el gancho mirando hacia la derecha) del hilo neutro (blanco o central) del cable de conexión directa debajo del tornillo central del bloque de terminal. Apriete y junte los extremos en forma de gancho. Apriete el tornillo.



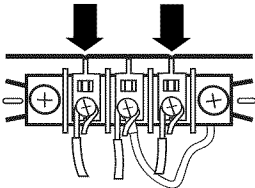
- A. Tornillo conductor de tierra externo – La línea punteada ilustra la posición del hilo de tierra NEUTRO antes de moverlo al tornillo central de color plateado del bloque de terminal.
 B. Tornillo central de color plateado del bloque de terminal
 C. Hilo neutro de puesta a tierra
 D. Hilo neutro (hilo blanco o central)
 E. Protector de cables que esté en la lista de UL de $\frac{3}{4}$ " (1,9 cm)

3. Conecte el hilo de tierra (verde o desnudo) del cable de conexión directa al tornillo del conductor de tierra externo. Apriete el tornillo.



A. Tornillo conductor de tierra externo
 B. Hilo de tierra (verde o desnudo) del cable de suministro eléctrico
 C. Protector de cables que esté en la lista de UL de 3/4" (1,9 cm)
 D. Tornillo central de color plateado del bloque de terminal
 E. Hilo neutro de puesta a tierra
 F. Hilo neutro (hilo blanco o central)

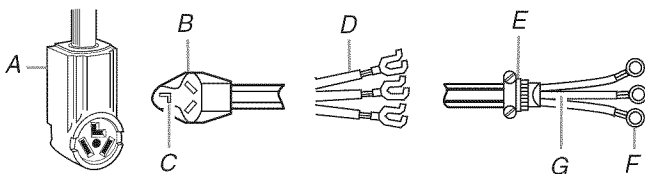
4. Coloque los extremos en forma de gancho de los otros hilos del cable de conexión directa debajo de los tornillos exteriores del bloque de terminal (con los ganchos mirando hacia la derecha). Apriete y junte los extremos en forma de gancho. Apriete los tornillos.



5. Apriete el tornillo del protector de cables.
6. Introduzca la lengüeta de la cubierta del bloque de terminal en la ranura del panel posterior de la secadora. Asegure la cubierta con el tornillo de sujeción.
7. Usted ha completado la conexión eléctrica. Ahora vaya a "Requisitos de ventilación".

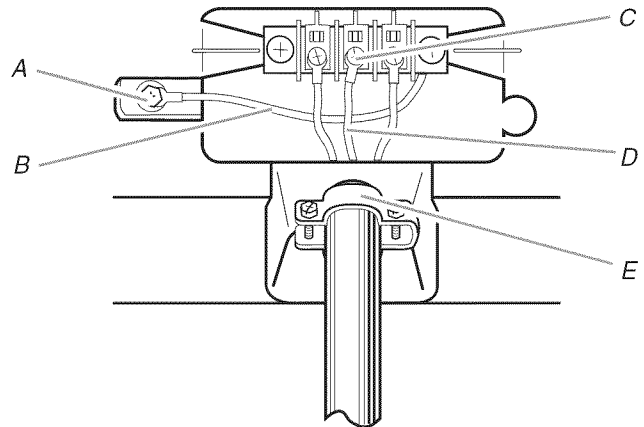
Conexión de 3 hilos: Cable de suministro eléctrico

Use cuando los códigos locales permitan la conexión del conductor de tierra de la carcasa al hilo neutro.



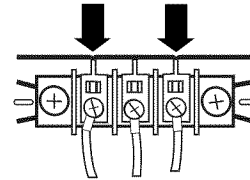
A. Tomacorriente de 3 hilos (tipo NEMA 10-30R)
 B. Enchufe de 3 hilos
 C. Terminal neutro
 D. Terminales de horquilla con extremos hacia arriba
 E. Protector de cables que esté en la lista de UL de 3/4" (1,9 cm)
 F. Terminales de anillo
 G. Hilo neutro (hilo blanco o central)

1. Afloje o saque el tornillo central de color plateado del bloque de terminal.
2. Conecte el hilo neutro (hilo blanco o central) del cable de suministro eléctrico al tornillo central de color plateado del bloque de terminal. Apriete el tornillo.



A. Tornillo conductor de tierra externo
 B. Hilo neutro de puesta a tierra
 C. Tornillo central de color plateado del bloque de terminal
 D. Hilo neutro (hilo blanco o central)
 E. Protector de cables que esté en la lista de UL de 3/4" (1,9 cm)

3. Conecte los otros hilos a los tornillos exteriores del bloque de terminal. Apriete los tornillos.



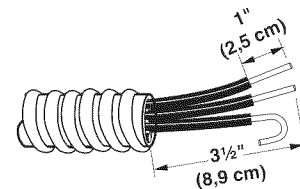
4. Apriete los tornillos del protector de cables.
5. Introduzca la lengüeta de la cubierta del bloque de terminal en la ranura del panel posterior de la secadora. Asegure la cubierta con el tornillo de sujeción.
6. Usted ha completado la conexión eléctrica. Ahora vaya a "Requisitos de ventilación".

Conexión de 3 hilos: Cable directo

Use cuando los códigos locales permitan la conexión del conductor de tierra de la carcasa al hilo neutro.

El cable de conexión directa debe tener 5 pies (1,52 m) extra de largo para poder mover la secadora si fuese necesario.

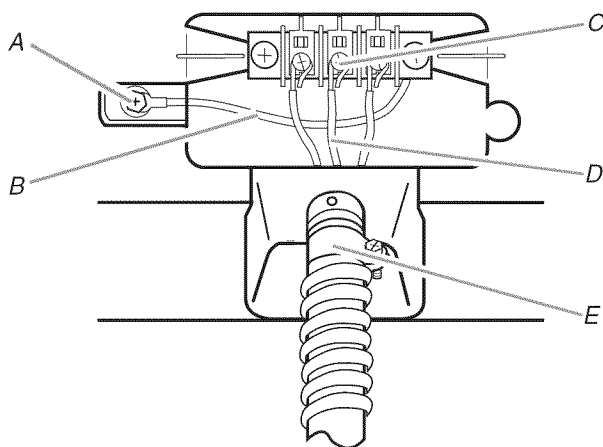
Pele 3 1/2" (8,9 cm) de la cubierta exterior desde el extremo del cable. Pele el aislamiento 1" (2,5 cm) hacia atrás. Si usa un cable trifilar con hilo de tierra, corte el hilo desnudo para que quede nivelado con la cubierta exterior. Doble los extremos de los hilos para formar un gancho.



Al conectar el hilo al bloque de terminal, coloque el extremo del hilo en forma de gancho debajo del tornillo del bloque de terminal (con el gancho mirando hacia la derecha). Apriete y junte el extremo en forma de gancho y apriete el tornillo, como se muestra.

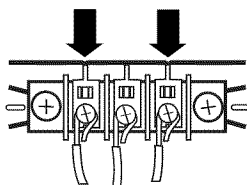


1. Afloje o saque el tornillo central de color plateado del bloque de terminal.
2. Coloque el extremo en forma de gancho del hilo neutro (hilo blanco o central) del cable de conexión directa debajo del tornillo central del bloque de terminal (con el gancho mirando hacia la derecha). Apriete y junte el extremo en forma de gancho. Apriete el tornillo.



- A. Tornillo conductor de tierra externo
- B. Hilo neutro de puesta a tierra
- C. Tornillo central de color plateado del bloque de terminal
- D. Hilo neutro (hilo blanco o central)
- E. Protector de cables que esté en la lista de UL de 3/4" (1,9 cm)

3. Coloque los extremos en forma de gancho de los otros hilos del cable de conexión directa debajo de los tornillos exteriores del bloque de terminal (con los ganchos mirando hacia la derecha). Apriete y junte los extremos en forma de gancho. Apriete los tornillos.

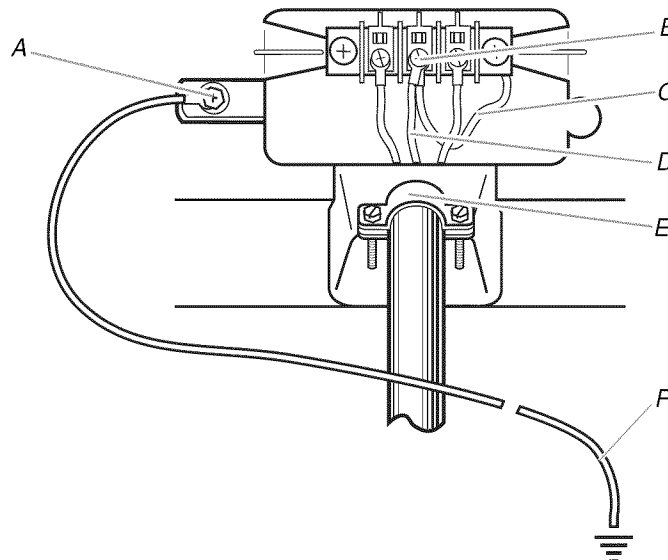


4. Apriete el tornillo del protector de cables.
5. Introduzca la lengüeta de la cubierta del bloque de terminal en la ranura del panel posterior de la secadora. Asegure la cubierta con el tornillo de sujeción.
6. Usted ha completado la conexión eléctrica. Ahora vaya a "Requisitos de ventilación".

Conexión opcional de 3 hilos

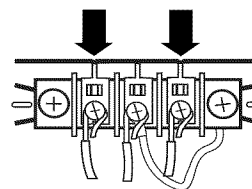
Use para cable directo o cable de suministro de corriente donde los códigos locales no permitan la conexión del conductor de tierra de la carcasa con el hilo neutro.

1. Saque el tornillo central de color plateado del bloque de terminal.
2. Saque el hilo de tierra neutro del tornillo conductor de tierra externo. Conecte el hilo neutro de puesta a tierra y el hilo neutro (hilo blanco o central) del cordón/cable de suministro eléctrico debajo del tornillo central de color plateado del bloque de terminal. Apriete el tornillo.



- A. Tornillo conductor de tierra externo
- B. Tornillo central de color plateado del bloque de terminal
- C. Hilo neutro de puesta a tierra
- D. Hilo neutro (hilo blanco o central)
- E. Protector de cables de 3/4" (1,9 cm), que esté en la lista de UL
- F. Camino de puesta a tierra determinado por un electricista capacitado

3. Conecte los otros hilos a los tornillos exteriores del bloque de terminal. Apriete los tornillos.



4. Apriete los tornillos del protector de cables.
5. Conecte un hilo de tierra de cobre separado desde el tornillo conductor de tierra externo a tierra adecuada.
6. Introduzca la lengüeta de la cubierta del bloque de terminal en la ranura del panel posterior de la secadora. Asegure la cubierta con el tornillo de sujeción.

Requisitos de ventilación

⚠ ADVERTENCIA



Peligro de Incendio

Use un ducto de escape de metal pesado.

No use un ducto de escape de plástico.

No use un ducto de escape de aluminio.

No seguir estas instrucciones puede ocasionar la muerte o incendio.

ADVERTENCIA: Para reducir el riesgo de incendio, esta secadora DEBE VENTILARSE HACIA EL EXTERIOR.

IMPORTANTE: Observe todas las normas y ordenanzas vigentes.

El ducto de escape de la secadora no debe conectarse a ningún ducto de escape de gas, chimenea, pared, techo o el espacio oculto de un edificio.

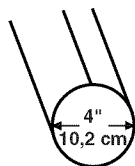
Si usa un sistema de ventilación existente

- Limpie la pelusa que está en toda la longitud del sistema y asegúrese de que la capota de ventilación no esté obstruida con pelusa.
- Reemplace cualquier ducto de escape de plástico o de hoja de metal por uno de metal pesado rígido o flexible.
- Vuelva a consultar el cuadro del sistema de ventilación. Modifique el sistema de ventilación existente si fuera necesario para lograr el mejor rendimiento de la secadora.

Si éste es un nuevo sistema de ventilación

Material de ventilación

- Use un ducto de escape de metal pesado. No use ducto de escape de plástico o de hoja de metal.
- Se debe usar un ducto de escape de metal pesado de 4" (10,2 cm) y abrazaderas. Los productos de ventilación DURASAFE™ son recomendables.



Ducto de escape de metal pesado de 4" (10,2 cm)

Los productos de ventilación DURASAFE™ pueden adquirirse con su distribuidor. Para obtener más información, sírvase llamar al **1-800-4-MY-HOME® (1-800-469-4663)** o visite nuestro sitio en internet en **www.sears.com**.

Ducto de escape de metal rígido

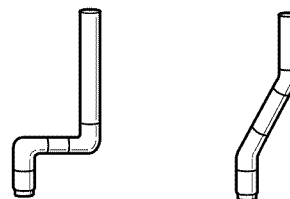
- Para un óptimo rendimiento de secado, se recomiendan ductos de escape de metal rígido.
- Se recomienda el ducto de escape de metal rígido para evitar que se aplaste o se tuerza.

Ducto de escape de metal flexible

- Los ductos de escape de metal flexible son aceptables únicamente si se puede tener acceso a los mismos para limpiarlos.
- El ducto de escape de metal flexible debe extenderse y sostenerse por completo cuando la secadora está en su ubicación final.
- Quite el exceso del ducto de metal flexible para evitar que se doble y se tuerza, lo cual podría dar lugar a una reducción del flujo de aire y a un rendimiento insuficiente.
- No instale el ducto de escape de metal flexible en paredes, techos o pisos encerrados.

Codos

Los codos de 45° proveen un mejor flujo de aire que los codos de 90°.

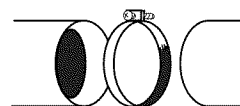


Bien

Mejor

Abrazaderas

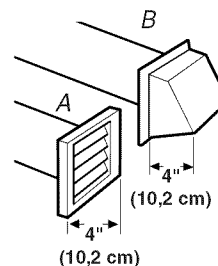
- Utilice abrazaderas para sellar todas las juntas.
- No debe conectarse ni asegurarse el ducto de escape con tornillos ni con ningún otro dispositivo de sujeción que se extienda hacia el interior de dicho ducto. No utilice cinta adhesiva para conductos.



Abrazadera

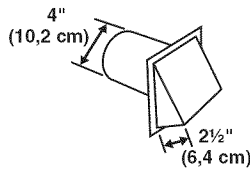
Ventilación

Los estilos recomendados de capotas de ventilación se ilustran aquí.



A. Estilo de capota con ventilación tipo persiana
B. Estilo de capota con ventilación tipo caja

El estilo de capota de ventilación angular (que se ilustra aquí) es aceptable.



- Una capota de ventilación debe tapar el ducto de escape para evitar el ingreso de roedores e insectos a la casa.
- La capota de ventilación debe estar por lo menos a 12" (30,5 cm) de distancia del piso o de cualquier objeto que pudiese estar en el trayecto del ducto de escape (como flores, rocas o arbustos, límite de nieve, etc.).
- No use capotas de ventilación con pestillos magnéticos.

La ventilación inadecuada puede ocasionar la acumulación de humedad y pelusa en la casa, lo cual puede dar como resultado:

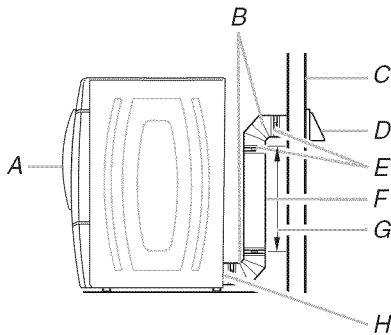
- Daños de humedad en la carpintería, muebles, pintura, empapelado, alfombras, etc.
- Problemas en la limpieza de la casa y de salud.

Planificación del sistema de ventilación

Seleccione su tipo de instalación de ventilación

Instalaciones recomendadas de escape

Las instalaciones típicas tienen la ventilación en la parte posterior de la secadora. Otras instalaciones son posibles.



- A. Secadora
- B. Codo
- C. Pared
- D. Capota de ventilación
- E. Abrazaderas

- F. Ducto de metal rígido o de metal flexible
- G. Longitud necesaria del ducto de escape para conectar los codos
- H. Salida de ventilación

Instalaciones opcionales de escape

Esta secadora puede ser adaptada con el escape hacia el lado derecho, hacia el lado izquierdo o en la parte inferior. Póngase en contacto con su distribuidor local para hacer convertir su secadora.

⚠ ADVERTENCIA



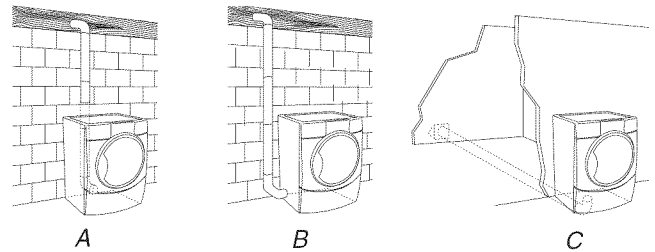
Peligro de Incendio

Cubra los orificios de escape no usados con el juego siguiente:

279818 (blanco)

Comuníquese con su distribuidor local.

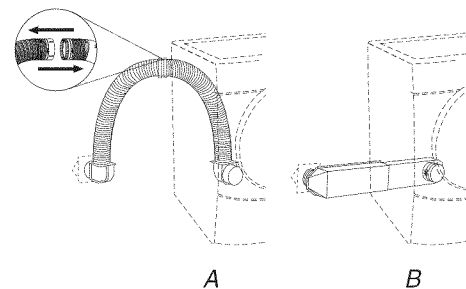
No seguir estas instrucciones puede ocasionar la muerte, incendio, choque eléctrico, o lesiones graves.



- A. Instalación estándar con desviación de la ventilación en la parte posterior
- B. Instalación de ventilación lateral a la izquierda o a la derecha
- C. Instalación de ventilación inferior (no es apta para instalaciones de pedestal)

Instalaciones alternas para espacios limitados

Los sistemas de ventilación vienen en una amplia gama. Seleccione el tipo más apropiado para su instalación. A continuación se ilustran dos tipos de instalación para espacios limitados. Consulte las instrucciones del fabricante.



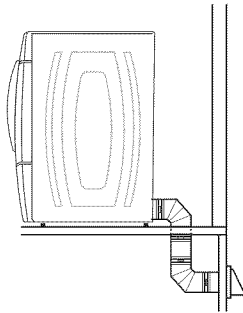
- A. Instalación en la parte superior (también está disponible con un codo de desviación)
- B. Instalación de periscopio

NOTA: Se pueden adquirir los siguientes juegos para instalaciones alternas en espacios limitados. Para más información, por favor llame al **1-800-4-MY-HOME® (1-800-469-4663)**.

- Instalación en la parte superior:
Pieza número 26-49900
- Instalación de periscopio (Para usar si hay desacoplo entre el ducto de escape de la secadora y el ducto de escape de la pared):
Pieza número 26-49901 – Desacoplo de menos de 5" (12,7 cm)
Pieza número 26-49908 – Desacoplo de 5" (12,7 cm) a 18" (45,72 cm)
Pieza número 26-49904 – Desacoplo de 18" (45,72 cm) a 29" (73,66 cm)
Pieza número 26-49905 – Desacoplo de 29" (73,66 cm) a 50" (127 cm)

Provisiones especiales para las instalaciones en casas rodantes

El ducto de escape deberá sujetarse firmemente en un lugar no inflamable de la estructura de la casa rodante y no debe terminar debajo de la casa rodante. El ducto de escape debe terminar en el exterior.



Determinación de la vía del ducto de escape

- Seleccione la vía que proporcione el trayecto más recto y directo al exterior.
- Planifique la instalación a fin de usar el menor número posible de codos y vueltas.
- Cuando use los codos o haga vueltas, deje todo el espacio que sea posible.
- Doble el ducto gradualmente para evitar torceduras.
- Use la menor cantidad posible de vueltas de 90°.

Determinación de la longitud del ducto de escape y de los codos necesarios para obtener un óptimo rendimiento de secado

- Use el cuadro del sistema de ventilación a continuación para determinar el tipo de material para ducto y la combinación de capota aceptable a usar.

NOTA: No use tendidos de ducto de escape más largos que los especificados en el cuadro del sistema de ventilación. Los sistemas de ventilación más largos que los especificados:

- Acortarán la vida de la secadora.
- Reducirán el rendimiento, dando lugar a tiempos de secado más largos y un aumento en el consumo de energía.

El cuadro del sistema de ventilación indica los requisitos de ventilación que le ayudarán a alcanzar el mejor rendimiento de secado.

Cuadro del sistema de ventilación

NOTA: Las instalaciones de ventilación laterales e inferiores tienen una vuelta de 90° dentro de la secadora. Para determinar la longitud máxima de ventilación, agregue una vuelta de 90° al cuadro.

No. de vueltas de 90° o codos	Tipo de ducto	Capotas de ventilación de caja o tipo persianas	Capotas angulares
0	Metal rígido	64 pies (20 m)	58 pies (17,7 m)
	Metal flexible	36 pies (11 m)	28 pies (8,5 m)
1	Metal rígido	54 pies (16,5 m)	48 pies (14,6 m)
	Metal flexible	31 pies (9,4 m)	23 pies (7 m)
2	Metal rígido	44 pies (13,4 m)	38 pies (11,6 m)
	Metal flexible	27 pies (8,2 m)	19 pies (5,8 m)
3	Metal rígido	35 pies (10,7 m)	29 pies (8,8 m)
	Metal flexible	25 pies (7,6 m)	17 pies (5,2 m)
4	Metal rígido	27 pies (8,2 m)	21 pies (6,4 m)
	Metal flexible	23 pies (7 m)	15 pies (4,6 m)

Instalación del sistema de ventilación

1. Instale la capota de ventilación. Emplee una masilla de calafateo para sellar la abertura de la pared externa alrededor de la capota de ventilación.
2. Conecte el ducto de escape a la capota de ventilación. El ducto de escape debe encajar dentro de la capota de ventilación. Asegure el ducto de escape a la capota de ventilación con una abrazadera de 4" (10,2 cm).
3. Extienda el ducto de escape a la ubicación de la secadora. Use la trayectoria más recta posible. Vea "Determinación de la vía del ducto de escape" en "Planificación del sistema de ventilación". Evite giros de 90°. Use abrazaderas para sellar todas las juntas. No use cinta adhesiva para conductos, tornillos ni otros dispositivos de fijación que se extiendan dentro del ducto de escape, para fijar el mismo.

Instalación de las patas niveladoras

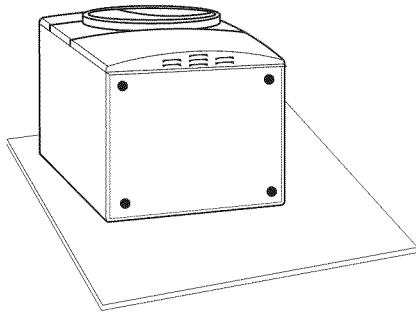
! ADVERTENCIA

Peligro de Peso Excesivo

Use dos o más personas para mover e instalar la secadora.

No seguir esta instrucción puede ocasionar una lesión en la espalda u otro tipo de lesiones.

1. Para proteger el piso, use un pedazo grande y plano de cartón del empaque de la secadora. Coloque el cartón debajo del borde posterior de la secadora.
2. Sujete con firmeza el cuerpo de la secadora. Coloque la secadora cuidadosamente sobre el cartón. Vea la ilustración.



3. Examine las patas niveladoras. Localice la marca en forma de diamante.



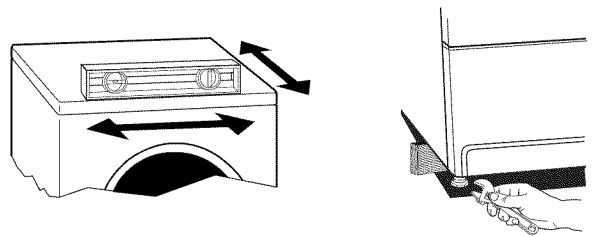
4. Atornille con la mano las patas en cada orificio de las patas. Use una llave de tuercas para terminar de atornillar las patas hasta que la marca en forma de diamante no quede visible.
5. Coloque un esquinale de cartón del empaque de la secadora debajo de cada una de las 2 esquinas posteriores de la secadora. Ponga la secadora en pie. Deslicela sobre los esquinales hasta que esté cerca de su ubicación final. Deje suficiente espacio para conectar el ducto de escape.

Conexión del ducto de escape

1. Usando una abrazadera de 4" (10,2 cm), conecte el ducto de escape a la salida de aire de la secadora. Si se conecta a un ducto de escape existente, asegúrese de que el mismo esté limpio. El ducto de escape de la secadora debe encajar sobre la salida de aire de la secadora y dentro de la capota de ventilación. Cerciérese de que el ducto de escape esté asegurado a la capota de ventilación con una abrazadera de 4" (10,2 cm).
2. Mueva la secadora a su posición final. No aplaste ni retuerza el ducto de escape.
3. (En modelos a gas) Asegúrese de que no hayan torceduras en la línea de gas flexible.
4. Una vez que la conexión del ducto de escape esté lista, quite los esquinales y el cartón.

Nivelación de la secadora

Revise la nivelación de la secadora. Verifique primero de lado a lado y luego del frente hacia atrás.



Si la secadora no está nivelada, apunte la secadora, usando un bloque de madera. Use una llave de tuercas para regular las patas hacia arriba o hacia abajo y verifique nuevamente si la secadora está nivelada.

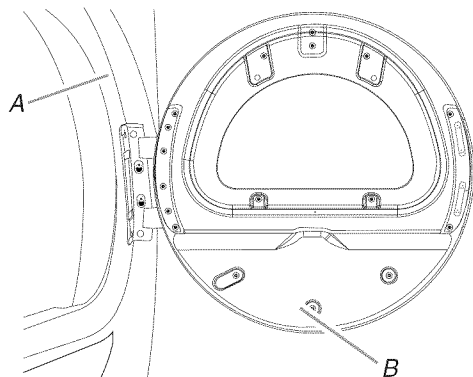
Cómo invertir el cierre de la puerta

Usted puede invertir el cierre de la puerta de la abertura hacia la derecha a la abertura hacia la izquierda, si lo desea.

1. Coloque una toalla o un paño suave en la parte superior de la secadora o de la superficie de trabajo, para proteger la superficie.

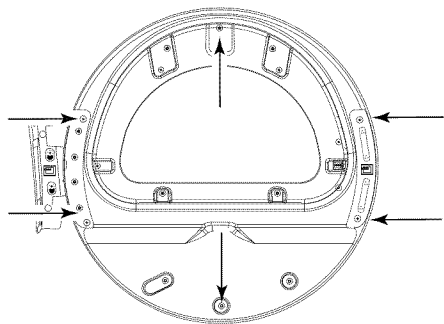
Cómo quitar el ensamblaje de la puerta

1. Quite los 4 tornillos que sostienen la bisagra de la puerta, ubicada en el panel frontal de la secadora.

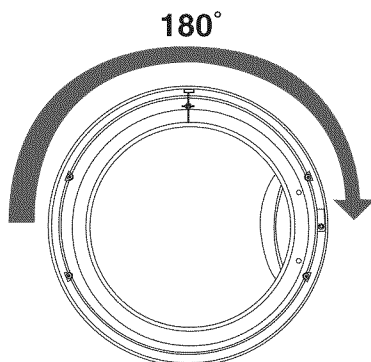


A. Panel frontal de la secadora
B. Ensamblaje de la puerta

2. Coloque el ensamblaje de la puerta sobre una superficie plana y protegida con el interior (ensamblaje de la puerta interior) mirando hacia arriba.
3. Quite los 6 tornillos Philips para liberar el ensamblaje de la puerta exterior del ensamblaje de la puerta interior, como se indica a continuación. Vea la ilustración. Es importante que quite solamente los 6 tornillos indicados.

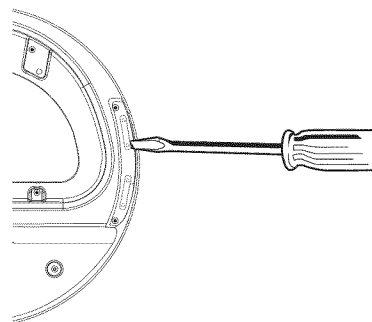


4. Levante el ensamblaje de la puerta interior y sáquelo del ensamblaje de la puerta exterior.
5. Rote la puerta exterior en 180°.

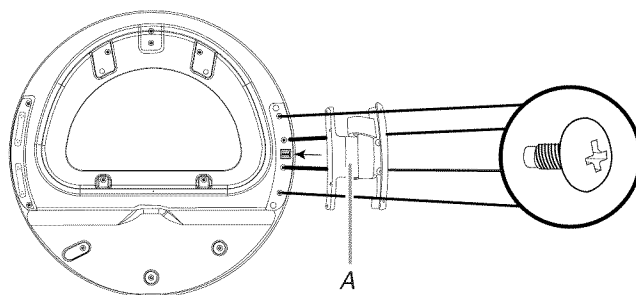


Invierta la bisagra

1. Use un pequeño destornillador de hoja plana para quitar las 2 cintas del tapón de la puerta interior. Deslice la cabeza del destornillador debajo de los tapones, siendo cuidadoso de no rayar la superficie de la puerta interior. Levántela.

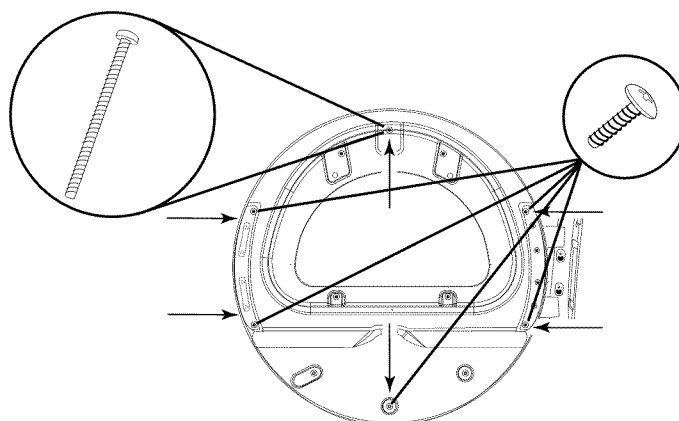


2. Quite los 4 tornillos que sostienen la bisagra de la puerta interior y mueva la bisagra al lado opuesto. Vuelva a instalar los 4 tornillos.



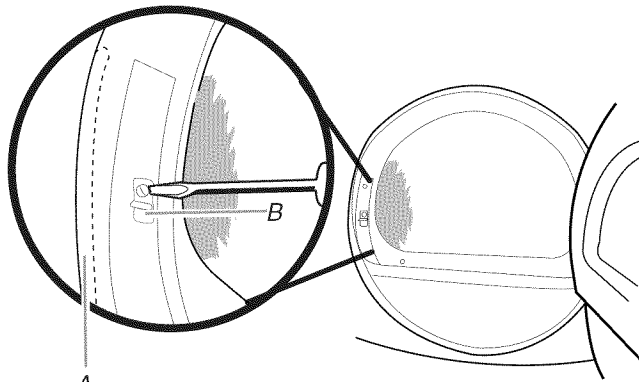
A. Bisagra de la puerta

3. Reinstale las cintas del tapón en el lado opuesto de la puerta interior.
4. Fijese si hay huellas digitales en el vidrio. Limpie el vidrio si es necesario.
5. Coloque el ensamblaje de la puerta interior dentro del ensamblaje de la puerta exterior. Para que encaje correctamente, el borde del ensamblaje de la puerta interior encaja completamente dentro del borde del ensamblaje de la puerta exterior.
6. Vuelva a colocar los ensamblajes de la puerta interior y exterior con los 6 tornillos.



Invierta el tope

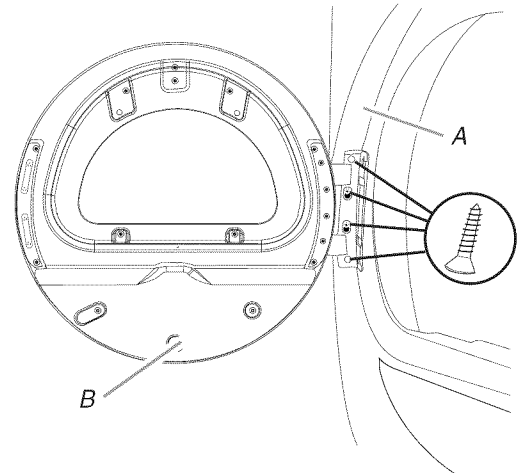
1. Use un pequeño destornillador de hoja plana para quitar la cinta del tapón de la abertura de la puerta de la secadora. Deslice la cabeza del destornillador debajo de los tapones, siendo cuidadoso de no rayar la superficie de la secadora. Levántela.
2. Saque el tope.
3. Inserte el tope en el lado opuesto.



A. Cinta del tapón (no puede verse desde este ángulo)
B. Tope de la puerta

Vuelva a instalar la puerta

1. Vuelva a sujetar la puerta al panel frontal de la secadora con los 4 tornillos.



A. Panel frontal de la secadora
B. Ensamblaje de la puerta

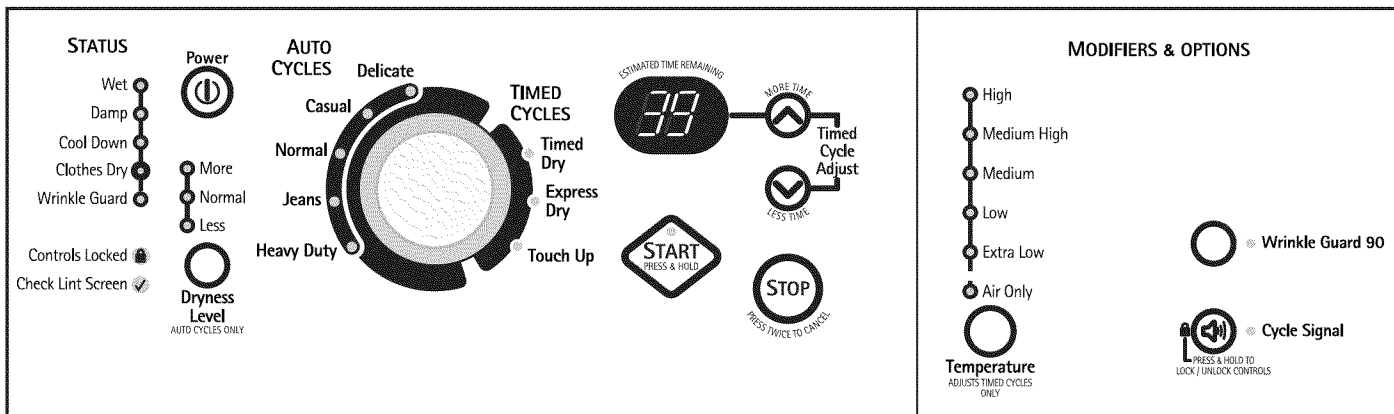
2. Fíjese si hay huellas digitales en el vidrio. Limpie el vidrio si es necesario.
3. Cierre la puerta y fíjese que se cierre con seguridad.

Complete la instalación

1. Revise para cerciorarse de que todas las piezas estén instaladas. Si hay alguna pieza extra, vuelva a revisar todos los pasos para ver cuál se omitió.
2. Verifique si tiene todas las herramientas.
3. Deshágase de todos los materiales de embalaje o recíclelos.
4. Revise la ubicación final de la secadora. Asegúrese de que el ducto de escape no esté aplastado o retorcido.
5. Verifique si la secadora está nivelada. Vea "Nivelación de la secadora".
6. Para una instalación con cable de suministro de energía, enchufe en el contacto. Para una instalación con cableado directo, reconecte el suministro de energía.
7. Quite la película protectora y cualquier cinta adhesiva que haya quedado en la secadora.
8. Lea "Uso de la secadora".
9. Limpie el interior del tambor de la secadora meticulosamente con un paño húmedo para quitar residuos de polvo.
10. Seleccione un ciclo de Secado programado (Timed Dry) con calor y ponga la secadora en marcha. No seleccione el modificador de Sólo aire (Air Only).
Si la secadora no funciona, revise lo siguiente:
 - Que los controles estén fijados en una posición de funcionamiento o "Encendido" (On).
 - Que se ha presionado con firmeza el botón de puesta en marcha.
 - Que la secadora está enchufada en un contacto y/o el suministro de energía eléctrica está conectado.
 - Que el fusible de la casa esté intacto y ajustado, o que no se haya disparado el cortacircuitos.
 - Que la puerta de la secadora esté cerrada.
11. Después de que la secadora haya estado funcionando durante 5 minutos, abra la puerta y fíjese si está caliente. Si siente calor, cancele el ciclo y cierre la puerta.
Si no está caliente, apague la secadora y revise lo siguiente:
 - Posiblemente hayan 2 fusibles o cortacircuitos para la secadora. Revise de que ambos fusibles estén intactos y ajustados, o que ambos cortacircuitos no se hayan disparado. Si después de esto todavía no calienta, póngase en contacto con un técnico competente.

NOTA: Cuando caliente la secadora por primera vez quizás sienta un olor a quemado. Este olor es común cuando se usa por primera vez el elemento de calefacción. El olor desaparecerá.

USO DE LA SECADORA



Puesta en marcha de la secadora

⚠️ ADVERTENCIA



Peligro de Explosión

Mantenga los materiales y vapores inflamables, tales como la gasolina, alejados de la secadora.

No seque ningún artículo que haya tenido alguna vez cualquier sustancia inflamable (aún después de lavarlo).

No seguir estas instrucciones puede ocasionar la muerte, explosión o incendio.

⚠️ ADVERTENCIA



Peligro de Incendio

Ninguna lavadora puede eliminar completamente el aceite.

No seque ningún artículo que haya tenido alguna vez cualquier tipo de aceite (incluyendo los aceites de cocina).

Los artículos que contengan espuma, hule o plástico deben secarse en un tendedero o usando un Ciclo de Aire.

No seguir estas instrucciones puede ocasionar la muerte o incendio.

ADVERTENCIA: A fin de reducir el riesgo de incendio, de choque eléctrico o de daños personales, lea las INSTRUCCIONES IMPORTANTES DE SEGURIDAD antes de operar el aparato.

Siga estos pasos básicos para poner su secadora en marcha. Por favor consulte las secciones específicas de este manual para obtener información más detallada.

1. Limpie el filtro de pelusa antes de cada carga. Vea "Limpieza del filtro de pelusa".
2. Coloque la ropa en la secadora y cierre la puerta.
3. Presione Energía (POWER).

4. Seleccione un ciclo automático o programado (Auto o Timed Cycle). Los ajustes prefijados para los ciclos automáticos o para los ciclos programados se iluminarán. El tiempo estimado (ciclo automático) o real (programado) del ciclo (en minutos) aparecerá en la pantalla.

NOTA: Cuando se selecciona un ciclo automático aparece en la pantalla un tiempo prefijado. Durante los primeros minutos del proceso de secado, el tiempo de secado podrá variar automáticamente del tiempo prefijado de acuerdo con el tamaño de la carga y el tipo de tela. Hacia el final del proceso de secado, el tiempo estimado de la pantalla se ajustará nuevamente, mostrando el tiempo final de secado.

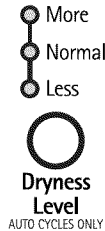
Para usar un Ciclo automático (Auto Cycle)

- Seleccione un Ciclo automático (Auto cycle). Los ciclos automáticos están prefijados en Normal.
- Seleccione Nivel de secado (DRYNESS LEVEL) para regular el nivel de sequedad que usted desea para su ropa. A medida que avanza el ciclo, el control detecta el nivel de sequedad de la carga y regula automáticamente el tiempo según el nivel de sequedad seleccionado.

Para cambiar el nivel de secado y/u opciones durante un ciclo automático:

- Presione Parada (STOP) una vez.
- Regule el nivel de secado y/u opciones.

NOTA: Las selecciones de Nivel de secado (Dryness Level) funcionan únicamente con los ciclos automáticos. Al seleccionar Más (More), Normal o Menos (Less) se regula automáticamente el tiempo detectado que se necesita.



Los ciclos de secado automático (Auto Dry) eliminan el cálculo para el tiempo de secado y mejoran el cuidado de la tela. El tiempo que aparece en la pantalla corresponde al tiempo estimado que le falta al ciclo.

Para usar un ciclo programado

- Seleccione un Ciclo programado (Timed Cycle).
- Presione Más tiempo (MORE TIME) o Menos tiempo (LESS TIME) hasta que el tiempo de secado deseado aparezca en la pantalla. Toque MORE TIME o LESS TIME y el tiempo cambiará en intervalos de 1 minuto. Presione y sostenga MORE TIME o LESS TIME y el tiempo cambiará en intervalos de 5 minutos.

NOTA: Las características de Ajuste de los ciclos programados (Timed Cycle Adjust) pueden ser usadas sólo con ciclos programados.



- Presione la Temperatura (TEMPERATURE) hasta que la temperatura deseada se ilumine.

Para cambiar el tiempo y/o las opciones durante un ciclo programado:

- Oprima Parada (STOP) una vez.
 - Ajuste el Tiempo y/o las opciones.
- (PASO OPCIONAL) Si lo desea, seleccione Protector antiarrugas (WRINKLE GUARD®). Para obtener más detalles, vea "Protector antiarrugas 90" (WRINKLE GUARD® 90).
 - (PASO OPCIONAL) La Señal de ciclo (Cycle Signal) está prefijada en encendido. Si lo desea, puede apagar la Señal de ciclo.
 - Presione y sostenga Inicio (START) durante 1 segundo aproximadamente hasta que la secadora inicie la marcha. Asegúrese de que la puerta esté cerrada.
 - Si no presiona puesta en marcha dentro de los 5 minutos de haber seleccionado el ciclo, la secadora se apaga automáticamente.

Detención o reanudación de la marcha de la secadora

Para hacer una pausa/detener la secadora en cualquier momento

Abra la puerta u oprima STOP una vez.

Para reanudar la marcha de la secadora

Cierre la puerta. Presione y sostenga START hasta que la secadora inicie la marcha.

Para detener/cancelar su secadora en cualquier momento

Presione STOP dos veces o abra la puerta.

NOTA: El secado continuará desde la etapa en que se interrumpió el ciclo si usted cierra la puerta y presiona Inicio dentro de los 5 minutos siguientes. Si se interrumpe el ciclo durante más de 5 minutos, la secadora se apagará. Seleccione nuevos ajustes de ciclo antes de volver a poner la secadora en marcha.

Bloqueo de los controles

Esta característica le permite bloquear sus ajustes para evitar el uso accidental de la secadora. Asimismo puede usar la característica de bloqueo de controles para evitar cambios accidentales de ciclo o de opción durante el funcionamiento de la secadora.

Para activar la característica de bloqueo de controles:

Presione y sostenga el botón de la Señal del ciclo (CYCLE SIGNAL) por 3 segundos. Se encenderá la luz del ícono de Controles bloqueados (CONTROLS LOCKED) y se escuchará un tono. Para desbloquear, presione y sostenga el botón de la Señal del ciclo (CYCLE SIGNAL) por 3 segundos. La luz indicadora se apaga.

Sugerencias de ciclos y secado

Seleccione el nivel de secado o la temperatura y el ciclo correctos para su carga. Si está en marcha un ciclo automático (Auto Cycle) la pantalla muestra el tiempo estimado del ciclo, que la secadora determina al detectar automáticamente el nivel de sequedad de la carga. Si está funcionando un ciclo programado, la pantalla muestra el número exacto de minutos restantes en el ciclo.

El Enfriamiento (Cool Down) hace rotar la ropa sin calor durante los últimos minutos de todos los ciclos. El enfriamiento hace que las prendas se puedan manejar con más facilidad y reduce la formación de arrugas. La duración del enfriamiento depende del tamaño de la carga y el nivel de sequedad.

Sugerencias de secado

- Siga las instrucciones de cuidado de la etiqueta cuando estén disponibles.
- Si desea, agregue una hoja de suavizante de telas. Siga las instrucciones del paquete.
- Quite la carga de la secadora tan pronto se detenga la rotación para reducir la formación de arrugas. Esto es de especial importancia para los tejidos de planchado permanente, de punto y de fibras sintéticas.
- Evite el secar la ropa de trabajo pesada junto con telas más livianas. Esto podría ocasionar un secado excesivo de las telas más livianas, dando lugar a un mayor encogimiento o formación de arrugas de las mismas.

Sugerencias de ciclos

- Seque la mayoría de las cargas usando los ajustes prefijados de ciclos.
- Consulte el cuadro de Ajustes prefijados para ciclos automáticos o programados (en la sección "Ciclos") a fin de obtener una guía para el secado de diversas cargas de ropa.
- La temperatura de secado y el nivel de secado están prefijados cuando usted elige un ciclo automático. Usted puede seleccionar un nivel de sequedad distinto, según su carga de ropa, al presionar Nivel de sequedad (Dryness Level) y elegir Más (More) o Menos (Less).
NOTA: Usted no puede usar el Ajuste de ciclo programado (Timed Cycle Adjust) ni puede modificar la temperatura con los ciclos de Secado automático (Auto Dry).
- Si desea regular la duración de un ciclo programado, presione Más tiempo (More Time) o Menos tiempo (Less Time). Ajuste la temperatura de un ciclo programado presionando Temperatura (TEMPERATURE) hasta seleccionar la temperatura deseada.
NOTA: Usted no puede usar el ajuste de Nivel de sequedad (Dryness Level) con los Ciclos programados (Timed Cycles).

Luces de estado

Observe el progreso de su secadora con las luces indicadoras de estado.



Mojado (Wet)

La luz de Wet se ilumina al comienzo de un ciclo automático si se detecta un artículo mojado.

- En un ciclo automático, si después de 5 minutos no se han detectado artículos mojados, la secadora procede directamente a la fase de enfriamiento y los indicadores de Enfriamiento (Cool Down) y Protector antiarrugas (WRINKLE GUARD®) se iluminan si han sido seleccionados.
- En un Ciclo programado (Timed Cycle), no se detectan los artículos mojados. La secadora continuará funcionando por la duración seleccionada de tiempo y la luz de Mojado (Wet) se encenderá. La luz de húmedo no se encenderá.

Húmedo (Damp)

La luz de Damp se ilumina en un ciclo de secado automático cuando la ropa está aproximadamente 80% seca.

Enfriamiento (Cool Down)

La luz de Cool Down se ilumina durante la etapa de enfriamiento del ciclo. La ropa se enfría para facilitar su manejo.

Ropa seca (Clothes Dry)

La luz de Clothes Dry se ilumina cuando el ciclo de secado ha terminado. Esta luz indicadora permanece encendida durante WRINKLE GUARD®.

Protección antiarrugas (WRINKLE GUARD®)

La luz de WRINKLE GUARD® se ilumina cuando se ha seleccionado esta opción. Esta luz indicadora permanece encendida con Ropa seca (Clothes Dry).

Revisar el filtro de pelusa (Check Lint Screen)

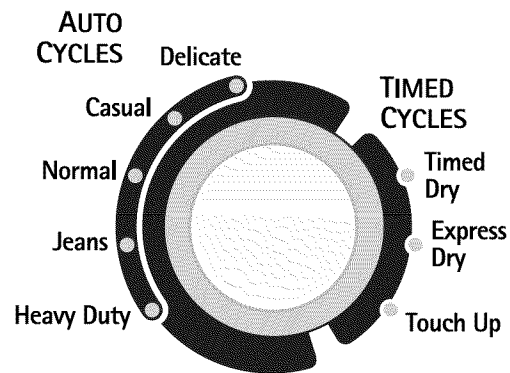
La luz de Revisar el filtro de pelusa (Check Lint Screen) le recuerda que debe verificar si el filtro de pelusa necesita limpieza. La luz de Revise el filtro de pelusa (Check Lint Screen) se iluminará cuando se encienda la máquina. La luz destellará hasta que el ciclo comience o se abra la puerta, luego se apagará.

Luces indicadoras (Indicator Lights)

Otras luces indicadoras muestran los ajustes de ciclos, opciones y modificadores que se han seleccionado.

Ciclos

Seleccione el ciclo de secado de acuerdo con el tipo de carga que va a secar. Vea los cuadros de Ajustes prefijados de ciclos automáticos o programados.



Ciclos automáticos

Los Ciclos automáticos (Auto Cycles) le permiten regular el ciclo según la carga que va a secar. Vea el siguiente cuadro de Ajustes prefijados de ciclos automáticos. Cada ciclo seca determinadas telas a la temperatura recomendada. Un sensor detecta la humedad de la carga y regula automáticamente el tiempo de secado para lograr un secado óptimo.

Secado intenso (Heavy Duty)

Use este ciclo para obtener calor alto para artículos pesados como toallas de algodón o cubrecamas.

Ropa de mezclilla (Jeans)

Use este ciclo para obtener calor medio alto para secar ropa de mezclilla.

Normal

Use este ciclo para obtener calor medio para secar telas resistentes como ropa de trabajo.

Informal (Casual)

Use este ciclo para obtener calor bajo para secar telas que no necesitan planchado como camisas deportivas, ropa de oficina informal y mezclas de tejidos de planchado permanente.

Ropa delicada (Delicate)

Use este ciclo para obtener calor extra bajo para secar fibras sintéticas, tejidos de punto lavables y de acabado inarrugable.

Ajustes prefijados de ciclos automáticos

Ciclos automáticos Tipo de carga	Temperatura	Tiempo* (Minutos)
Secado intenso (HEAVY DUTY) Cargas mixtas de ropa pesada, toallas	Alta (High)	45
Ropa de mezclilla (JEANS) Pantalones y chaquetas de mezclilla	Media alta (Medium High)	55
NORMAL Sábanas, pana, ropa de trabajo resistente	Media (Medium)	40
Informal (CASUAL) Fibras de planchado permanente, fibras sintéticas, ropa de oficina informal	Baja (Low)	35
Ropa delicada (DELICATE) Lencería, blusas	Extra baja (Extra Low)	30

*Tiempo estimado con el ajuste de Nivel de secado (Dryness Level) (Normal). El tiempo variará según el tipo y tamaño de carga.

Ciclos programados

Use los Ciclos programados (Timed Cycles) para seleccionar una cantidad específica de tiempo de secado y temperatura de secado. Al seleccionar un ciclo programado, la pantalla de Tiempo estimado restante (Estimated Time Remaining) muestra el tiempo real restante del ciclo. Usted puede cambiar el tiempo real del ciclo al presionar Más tiempo (More Time) o Menos tiempo (Less Time). Vea "Cambio de ciclos, opciones y modificadores".

Secado programado (Timed Dry)

Use este ciclo para terminar el secado de artículos que todavía están húmedos después de de secado automático. El secado programado es también útil para secar artículos pesados y voluminosos como cubrecamas y ropa de trabajo.

Secado expreso (EXPRESS DRY™)

Use este ciclo para secar cargas pequeñas o cargas que necesitan un tiempo de secado corto.

Retoque (Touch Up)

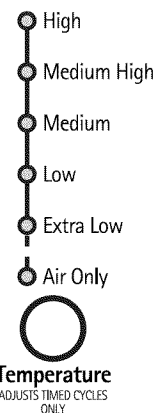
Use este ciclo para ayudar a alisar las arrugas de ropa que ha estado empacada en una valija o artículos que se han arrugado por haber permanecido mucho tiempo en la secadora.

Ajustes prefijados de ciclos programados

Ciclos programados Tipo de carga	Temperatura	Tiempo por defecto (Minutos)
Secado programado (TIMED DRY) Ropa pesada, ropa voluminosa, edredones, ropa de trabajo	Alta (High)	40
Secado expreso (EXPRESS DRY™) Cargas pequeñas, tela resistente	Alta (High)	23
Retoque (TOUCH UP) Ayuda a eliminar las arrugas	Media alta (Medium High)	20

Modificadores

Use los modificadores (Modifiers) para la selección de temperatura de los ciclos programados solamente. Presione Temperatura (TEMPERATURE) hasta que se ilumine el ajuste de temperatura deseado. Los modificadores de temperatura no pueden utilizarse con los ciclos automáticos.



Sólo aire (Air Only)

Use el modificador de Sólo aire (Air Only) para artículos que necesiten secarse sin calor como artículos de goma, de plástico y telas sensibles al calor. Esta tabla muestra ejemplos de artículos que pueden secarse usando Sólo aire (Air Only).

Tipo de carga	Tiempo* (minutos)
Goma espuma – almohadas, brasieres acolchados, juguetes de peluche	20 - 30
Plástico – cortinas de baño, manteles	20 - 30
Alfombras con reverso de goma	40 - 50
Olefina, polipropileno, nilón transparente	10 - 20

*Reajuste el ciclo para terminar de secar si fuera necesario.

Cuando use sólo aire

- Revise las cubiertas para ver si las costuras están firmes.
- Sacuda y palmootee las almohadas con la mano periódicamente durante el ciclo.
- Seque el artículo completamente. Las almohadas de goma espuma tardan en secar.

NOTA: El modificador de Sólo aire (Air Only) no está disponible en los ciclos automáticos.

Opciones

Usted puede personalizar sus ciclos al seleccionar opciones.



● Wrinkle Guard 90



● Cycle Signal

Protección antiarrugas (WRINKLE GUARD® 90)

WRINKLE GUARD® 90 ayuda a alisar las arrugas que se forman cuando usted no puede descargar la secadora tan pronto termina el ciclo. Durante esta opción la secadora funciona y se detiene periódicamente, dando vueltas a la carga durante 90 minutos.

- Presione WRINKLE GUARD® 90 para obtener hasta 90 minutos de rotación periódica sin calor al final del ciclo.
- Detenga la protección antiarrugas (WRINKLE GUARD® 90) en cualquier momento presionando el botón WRINKLE GUARD® 90 o abriendo la puerta de la secadora.
- WRINKLE GUARD® 90 está prefijado en Apagado (OFF). Los ciclos de secado automático retendrán el ajuste de WRINKLE GUARD® 90. Por ejemplo, si usted selecciona WRINKLE GUARD® 90 en el ciclo Normal, WRINKLE GUARD® 90 estará encendida la próxima vez que seleccione el ciclo Normal.

NOTA: Se debe seleccionar WRINKLE GUARD® 90 junto con un ciclo para que aquél se ponga en marcha. Si usted no selecciona WRINKLE GUARD® 90, la secadora se detiene después del enfriamiento.

Señal de ciclo

La señal de ciclo emite un sonido audible una vez que el ciclo de secado ha terminado. El quitar la ropa con prontitud al final del ciclo reduce la formación de arrugas.

Presione Señal de ciclo (CYCLE SIGNAL) para apagar la señal.

NOTA: Cuando se selecciona protección antiarrugas (WRINKLE GUARD® 90) y la Señal de ciclo está encendida, se escuchará un tono cada 5 minutos hasta que se saque la ropa o hasta que el período de protección antiarrugas (WRINKLE GUARD® 90) se haya terminado.

Cambio de ciclos, opciones y modificadores

Usted puede cambiar los ciclos automáticos y programados, opciones y modificadores en cualquier momento antes de presionar Inicio (Start).

- Al seleccionar una combinación no disponible se escuchan tres tonos cortos. No se aceptará la última selección.

Cambio de ciclos después de presionar Inicio

1. Presione Parada (STOP) dos veces. Esto termina el ciclo actual.

2. Seleccione el ciclo y las opciones deseados.

3. Presione y sostenga START. La secadora vuelve a funcionar al comienzo del nuevo ciclo.

NOTA: Si usted no oprime puesta en marcha dentro de los 5 minutos de haber seleccionado el ciclo, la secadora se apaga automáticamente.

Cambio de opciones y modificadores después de presionar Inicio

Usted puede cambiar una opción o modificador en cualquier momento antes de que comience la opción o modificador seleccionado.

1. Presione STOP una vez.

2. Seleccione la nueva opción y/o modificador.

3. Presione y sostenga START para continuar el ciclo.

NOTA: Si accidentalmente presiona Parada dos veces, el programa se borrará y la secadora se apagará. Vuelva a iniciar el proceso de selección.

Estante no térmico de la secadora TUMBLE FREE™

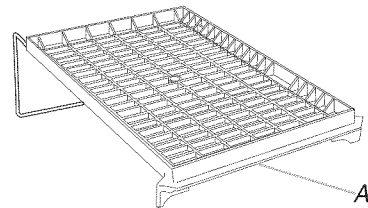
El estante de secado fue embalado en su lugar dentro de su secadora. Retírelo y deshágase del material de embalaje antes de usarlo.

Use el estante no térmico de la secadora TUMBLE FREE™ para artículos que usted no quiere secar con rotación, como son suéteres.

Para usar el estante de la secadora

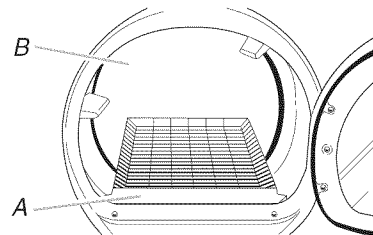
No quite el filtro de pelusa.

1. Abra la puerta de la secadora.



A. Borde anterior

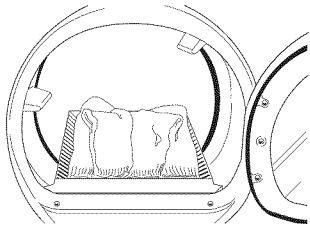
2. Coloque el estante de la secadora dentro del tambor de la secadora, colocando el alambre posterior sobre la saliente del panel posterior del interior de la secadora. Empuje hacia abajo sobre el borde anterior del estante de la secadora para asegurarlo sobre el filtro de pelusa.



A. Borde anterior del estante de la secadora
B. Panel posterior de la secadora

- Ponga los artículos mojados sobre el estante de secado. Deje espacio entre los artículos para que el aire pueda llegar a todas las superficies.

NOTA: No permita que los artículos cuelguen del borde del estante de secado.



- Cierre la puerta.
- Oprima el botón de suministro de energía (POWER).
- Seleccione un ciclo programado de tiempo y de temperatura (vea el siguiente cuadro). Los artículos que contengan espuma, hule o plástico deben secarse en un tendedero o usando el ajuste de temperatura de sólo aire (Air Only).
- Usted puede seleccionar el tiempo del ciclo, presionando los botones de más tiempo (MORE TIME) o menos tiempo (LESS TIME). Vuelva a fijar el tiempo para terminar el secado, si es necesario. Consulte el cuadro a continuación.
- Presione (y sostenga) el botón de puesta en marcha (START) (por aproximadamente 3 segundos).

NOTA: Usted debe quitar el estante para un secado normal. No use ciclos automáticos con el estante de la secadora.

Este cuadro muestra ejemplos de artículos que pueden secarse en el estante y el tiempo de secado y temperatura sugeridos. El tiempo real de secado dependerá de la cantidad de humedad en la carga.

Secado con estante	Ajuste	Temp.	Tiempo*
Suéteres de lana Darles la forma original y colocarlos extendidos sobre el estante de secado.	Ciclos programados	Baja (Low)	60
Juguetes de peluche o almohadas Rellenos de fibras de algodón o poliéster	Ciclos programados	Baja (Low)	60
Juguetes de peluche o almohadas Rellenos con hule espuma	Ciclos programados	Sólo aire (sin calor)	90
Zapatos tenis o zapatos de lona	Ciclos programados	Sólo aire (sin calor)	90

*(Minutos) Vuelva a fijar el tiempo para terminar el secado, si es necesario.

CUIDADO DE LA SECADORA

Limpieza del lugar donde está la secadora

Mantenga el área donde está la secadora despejada y libre de artículos que pudieran obstruir el flujo de aire para la combustión y la ventilación.

⚠ ADVERTENCIA



Peligro de Explosión

Mantenga los materiales y vapores inflamables, como la gasolina, lejos de la secadora.

Coloque la secadora a un mínimo de 46 cm sobre el piso para la instalación en un garaje.

No seguir estas instrucciones puede ocasionar la muerte, explosión o incendio.

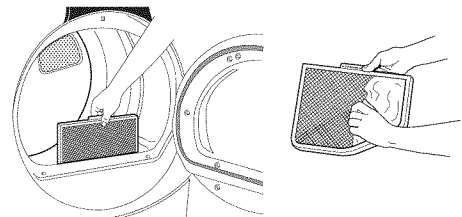
Limpieza del filtro de pelusa

Limpieza de cada carga

El filtro de pelusa está localizado en la abertura de la puerta de la secadora. El panel de control tiene una luz indicadora para recordarle que tiene que limpiar el filtro de pelusa antes de cada carga. Un filtro obstruido con pelusa puede aumentar el tiempo de secado.

Para limpiar

- Jale el filtro de pelusa en sentido recto hacia arriba. Quite la pelusa del filtro enrollándola con sus dedos. No enjuague ni lave el filtro para quitar la pelusa. La pelusa mojada es difícil de quitar.



- Empuje el filtro de pelusa firmemente de vuelta en su lugar.

IMPORTANTE:

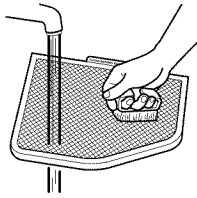
- No ponga a funcionar la secadora con un filtro de pelusa flojo, dañado, obstruido o sin él. El hacerlo puede causar un sobrecalentamiento y dañar tanto la secadora como la ropa.
- Algunas toallas hechas de fibras sintéticas y fibras naturales (mezclas de poliéster y algodón) pueden soltar más pelusa que otras toallas, dando lugar a que el filtro de pelusa de su secadora se llene con más rapidez. Asegúrese de quitar la pelusa del filtro de pelusa antes y después de secar toallas nuevas.
- Si al quitar la pelusa del filtro, ésta cae en la secadora, revise la capota de ventilación y quite la pelusa. Vea "Requisitos de ventilación".

Limpeza según la necesidad

Los residuos de detergente de lavandería y suavizante de telas pueden acumularse en el filtro de pelusa. Esta acumulación puede ocasionar tiempos de secado más prolongados para su ropa, o hacer que la secadora se detenga antes que su carga esté completamente seca. Si la pelusa se cae del filtro cuando éste está en la secadora, es probable que el filtro esté obstruido. Limpie el filtro de pelusa con un cepillo de nailon cada 6 meses o con más frecuencia si se obstruye debido a la acumulación de residuos.

Para lavar

1. Quite la pelusa del filtro enrollándola con sus dedos.
2. Moje ambos lados del filtro de pelusa con agua caliente.
3. Moje un cepillo de nailon con agua caliente y detergente líquido. Refriegue el filtro de pelusa con el cepillo para quitar la acumulación de residuos.



4. Enjuague el filtro con agua caliente.
5. Seque meticulosamente el filtro de pelusa con una toalla limpia. Vuelva a colocar el filtro en la secadora.

Limpeza del interior de la secadora

Para limpiar el tambor de la secadora

1. Haga una pasta con un detergente de lavandería en polvo y agua tibia.
2. Aplique la pasta a un paño suave.
○ Aplique al área manchada un producto de limpieza doméstico líquido, no inflamable y frótelo con un paño suave hasta quitar todo el exceso de tinte y manchas.
3. Limpie el tambor meticulosamente con un paño húmedo.
4. Ponga a funcionar la secadora con una carga de ropa limpia o toallas para secar el tambor.

NOTA: Las prendas que contienen tintes desteñibles, tales como los pantalones de mezclilla o artículos de algodón de colores vivos, pueden teñir el interior de la secadora. Estas manchas no dañan su secadora y no mancharán las cargas de ropa futuras. Seque al revés los artículos que destiñen para evitar la transferencia de tintes.

Eliminación de pelusa acumulada

En el interior de la carcasa de la secadora

Según el uso de la secadora, se debe quitar la pelusa cada 2 años, o con más frecuencia. La limpieza deberá efectuarla una persona calificada.

En el ducto de escape

La pelusa debe ser quitada cada 2 años, o con más frecuencia, de acuerdo con el uso de la secadora.

Cuidado para las vacaciones y la mudanza

Cuidado para las vacaciones

Ponga la secadora a funcionar sólo cuando esté en casa. Si va a salir de vacaciones o no va a usar su secadora por un tiempo prolongado, usted deberá:

1. Desenchufar la secadora o desconectar el suministro de energía.
2. Limpiar el filtro de pelusa. Vea "Limpeza del filtro de pelusa".

Cuidado para la mudanza

Para secadoras conectadas al cable de suministro eléctrico:

1. Desenchufe el cable de suministro de energía.
2. Asegúrese de que las patas niveladoras estén fijadas en la base de la secadora.
3. Use cinta adhesiva para asegurar la puerta de la secadora.

Para secadoras con cableado directo:

! ADVERTENCIA



Peligro de Choque Eléctrico

Desconecte el suministro de energía antes de darle mantenimiento.

Vuelva a colocar todos los componentes y paneles antes de hacerlo funcionar.

No seguir estas instrucciones puede ocasionar la muerte o choque eléctrico.

1. Desconecte el suministro de energía.
2. Desconecte el cableado.
3. Asegúrese de que las patas niveladoras estén fijadas en la base de la secadora.
4. Use cinta adhesiva para asegurar la puerta de la secadora.

SOLUCIÓN DE PROBLEMAS

Pruebe primero las soluciones aquí sugeridas y posiblemente se evite el costo de una visita de servicio técnico...

Funcionamiento de la secadora

La secadora no funciona

- **¿Hay un fusible de la casa fundido o se disparó el cortacircuitos?**
Es posible que la secadora tenga 2 fusibles o cortacircuitos. Asegúrese de que ambos fusibles estén intactos y ajustados, o de que ambos cortacircuitos no se hayan disparado. Reemplace el fusible o reposicione el cortacircuitos. Si el problema continúa, llame a un electricista.
- **¿Es el suministro de energía el correcto?**
Las secadoras eléctricas requieren un suministro eléctrico de 240 voltios. Verifique con un electricista calificado.
- **¿Se usó un fusible regular?**
Use un fusible retardador.
- **¿Está cerrada con firmeza la puerta de la secadora?**
- **¿Se presionó el botón de Energía (POWER)?**
- **¿Se oprimió con firmeza el botón de Inicio?**
Oprima y sostenga durante 1 segundo.

Sin calor

- **¿Hay un fusible de la casa fundido o se disparó el cortacircuitos?**
El tambor quizás rote pero sin calor. Las secadoras eléctricas utilizan 2 fusibles o cortacircuitos. Reemplace el fusible o reposicione el cortacircuitos. Si el problema continúa, llame a un electricista.

Sonidos raros

- **¿Ha estado la secadora sin uso por una temporada?**
Si no se ha usado la secadora por una temporada, es posible que se escuche un sonido fuerte durante los primeros minutos de funcionamiento.
- **¿Hay una moneda, botón o sujetapapeles entre el tambor y la parte frontal o trasera de la secadora?**
Revise los bordes frontales y traseros del tambor para verificar si hay objetos pequeños. Limpie los bolsillos antes del lavado.
- **¿Están las cuatro patas instaladas y está la secadora nivelada de frente hacia atrás y de lado a lado?**
La secadora puede vibrar si no está instalada adecuadamente. Vea "Instrucciones de instalación".
- **¿Las prendas están enredadas o hechas un ovillo?**
Si la carga está hecha un ovillo, rebotará haciendo vibrar a la secadora. Separe los artículos de la carga y reinicie la secadora.

La secadora muestra mensajes codificados

- **"PF" (corte de corriente), revise lo siguiente:**
¿Se ha interrumpido el ciclo de secado por un corte de corriente? Presione Energía (POWER), y después presione y sostenga Inicio (START) para reanudar la marcha de la secadora.
- **"E" Códigos de servicio técnico variables (E1, E2, E3):**
Llame solicitando servicio técnico.

Resultados de la secadora

Las prendas no se secan satisfactoriamente, los tiempos de secado son demasiado largos o la carga está demasiado caliente

- **¿Está el filtro de pelusa obstruido con pelusa?**
El filtro de pelusa debe ser limpiado antes de cada carga.

! ADVERTENCIA



Peligro de Incendio

Use un ducto de escape de metal pesado.

No use un ducto de escape de plástico.

No use un ducto de escape de aluminio.

No seguir estas instrucciones puede ocasionar la muerte o incendio.

- **¿Está obstruido con pelusa el ducto de escape o la capota de ventilación, restringiendo el flujo del aire?**
Ponga a funcionar la secadora unos 5 a 10 minutos. Ponga su mano debajo de la capota de ventilación para verificar el movimiento del aire. Si no lo siente, limpie la pelusa del sistema de ventilación o reemplace el ducto de escape con uno de metal pesado o de metal flexible. Vea "Requisitos de Ventilación".
- **¿Están las hojas del suavizante de telas bloqueando la rejilla?**
Use únicamente una hoja del suavizante de telas y úsela una sola vez.
- **¿Tiene el ducto de escape el largo correcto?**
Controle el ducto de escape para verificar que no sea demasiado largo o no dé demasiadas vueltas. Una ventilación larga aumentará el tiempo de secado. Vea "Planificación del sistema de ventilación".
- **¿Es el diámetro del ducto de escape del tamaño correcto?**
Use un material de ventilación de 4" (10,2 cm) de diámetro.

⚠ ADVERTENCIA



Peligro de Explosión

Mantenga los materiales y vapores inflamables, como la gasolina, lejos de la secadora.

Coloque la secadora a un mínimo de 46 cm sobre el piso para la instalación en un garaje.

No seguir estas instrucciones puede ocasionar la muerte, explosión o incendio.

- **¿Está la secadora ubicada en una habitación cuya temperatura está debajo de 7°C (45°F)?**
El funcionamiento apropiado de los ciclos de la secadora requiere temperaturas superiores a 7°C (45°F).
- **¿Está la secadora ubicada en un armario?**
Las puertas del armario deben tener aberturas de ventilación en la parte superior e inferior de la puerta. La parte anterior de la secadora necesita un mínimo de 1" (2,5 cm) de espacio y, para la mayoría de las instalaciones, la parte trasera necesita 5" (12,7 cm). Vea "Instrucciones de instalación".
- **¿Se ha seleccionado un modificador de Sólo aire (Air Dry)?**
Seleccione el ciclo correcto para el tipo de prendas que se estén secando. Vea "Modificadores".
- **¿Está la carga demasiado voluminosa y pesada para secarse con rapidez?**
Separe la carga de modo que pueda rotar libremente.

El tiempo del ciclo es demasiado corto

⚠ ADVERTENCIA

Peligro de Peso Excesivo

Use dos o más personas para mover e instalar la secadora.

No seguir esta instrucción puede ocasionar una lesión en la espalda u otro tipo de lesiones.

- **¿Está terminando más rápido el ciclo automático?**
Quizás la carga no está haciendo contacto con las bandas del detector. Nivele la secadora.

Cambie el ajuste del nivel de secado en ciclos automáticos. Aumentar o disminuir el nivel de secado cambiará la cantidad de tiempo de secado en un ciclo.

No use un estante de secado con un ciclo automático.

Pelusa en la ropa

- **¿Está obstruido el filtro de pelusa?**
Limpie el filtro de pelusa. Verifique si hay movimiento de aire.

Manchas en la carga o en el tambor

- **¿Se ha empleado adecuadamente el suavizante de telas?**
Agregue hojas de suavizante de telas al comienzo del ciclo. Las hojas del suavizante de telas que se agregan a una carga parcialmente seca pueden manchar las prendas.

Las manchas en el tambor están causadas por los tintes en las prendas (habitualmente los pantalones de mezclilla). Esto no se transferirá a otras prendas.

Ropa arrugada

- **¿Se ha sacado la ropa de la secadora al final del ciclo?**
- **¿Se ha sobrecargado la secadora?**
Seque cargas más pequeñas que puedan rotar con libertad.

Olores

- **¿Ha estado pintando, tiñendo o barnizando recientemente el área donde se encuentra la secadora?**
De ser así, ventile el área. Cuando los olores o humos se hayan esfumado del área, vuelva a lavar y secar la ropa.
- **¿Se está usando la secadora por primera vez?**
El nuevo elemento calefactor eléctrico puede despedir un olor. El olor desaparecerá después del primer ciclo.

Get it fixed, at your home or ours!

Your Home

For expert troubleshooting and home solutions advice:

manage my home

www.managemyhome.com

For repair – **in your home** – of **all** major brand appliances, lawn and garden equipment, or heating and cooling systems, **no matter who made it, no matter who sold it!**

For the replacement parts, accessories and owner's manuals that you need to do-it-yourself.

For Sears professional installation of home appliances and items like garage door openers and water heaters.

1-800-4-MY-HOME[®] (1-800-469-4663)

Call anytime, day or night (U.S.A. and Canada)

www.sears.com www.sears.ca

Our Home

For repair of carry-in items like vacuums, lawn equipment, and electronics, call anytime for the location of your nearest

Sears Parts & Repair Service Center

1-800-488-1222 (U.S.A.) **1-800-469-4663** (Canada)

www.sears.com www.sears.ca

To purchase a protection agreement on a product serviced by Sears:

1-800-827-6655 (U.S.A.) **1-800-361-6665** (Canada)

Para pedir servicio de reparación a domicilio, y para ordenar piezas:

1-888-SU-HOGAR[®]

(1-888-784-6427)

Au Canada pour service en français:

1-800-LE-FOYER^{MC}

(1-800-533-6937)

www.sears.ca

Sears