

1



# Lockly Secure Pro Latch Edition

2025 Version

Installation guide

PGD628WE1

**LOCKLY**  
Enjoy the freedom™

# Welcome

---

Access the latest Install video and installation guide.



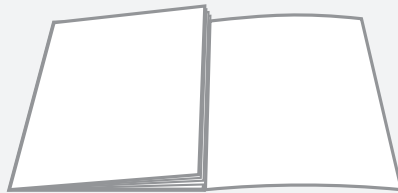
Scan to watch  
step-by-step  
video installation



Scan for the most  
updated version  
of this manual.



## Reference foldout



Get an overview of all installation components and parts with the handy reference foldout on the back page. Keep it open for reference as you go through each step.



## We're here to help

Your Lockly smart lock includes lifetime support. If you get locked out, have any issues, or want to share feedback, just contact us, and we'll help you quickly.

 **(669) 500-8835**

 **help@Lockly.com**

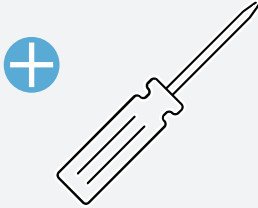
 **support.Lockly.com**

## What you'll need

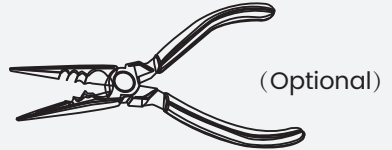
---

To complete the installation you will need:

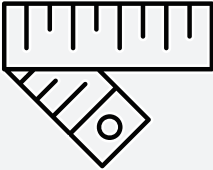
Phillips Screwdriver



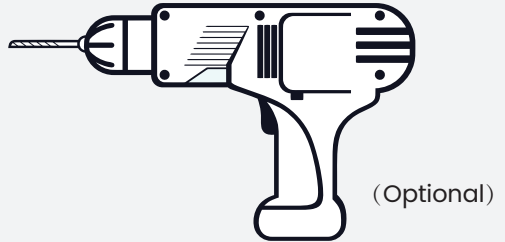
Vise



Tape measure or ruler



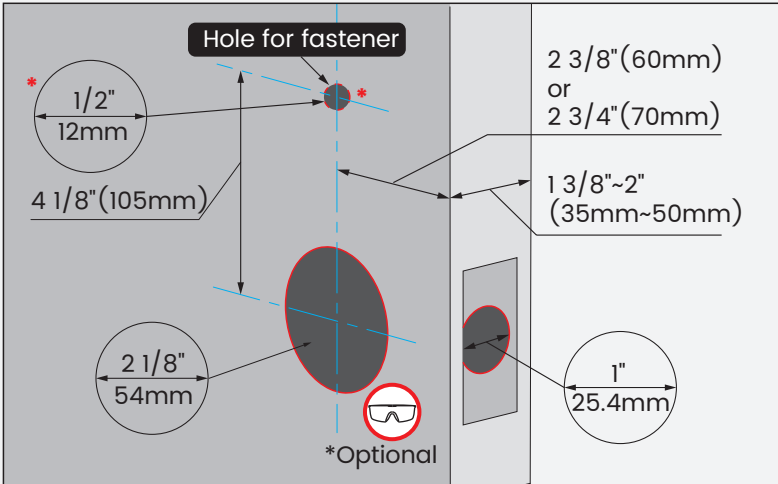
Screwdriver with drill bits



You don't need to drill to put the lock on an existing door. However if you are installing your lock on a brand new door, a drill is required if there are no holes prepared for lock installation.

## What you'll need continued

Remove existing door hardware, latch or deadbolts before installing the new lock. Use provided template to bore new holes if needed.



- 1** Measure and confirm your door thickness is between  $1 3/8"$  ~  $2"$  (35mm ~ 50mm).
- 2** Measure and confirm the bore hole in the door is  $2 1/8"$  (54mm).
- 3** Measure and confirm that the backset is either  $2 3/8"$  (60mm) or  $2 3/4"$  (70mm).
- 4** Measure and confirm that cross bore in the door edge is  $1"$  (25.4mm).



\* You are not required to drill an extra hole in your door. We have provided double-sided adhesive tape for you to help stabilize the lock during installation. Only drill a hole if you wish to have added stability. Please refer to the provided template for drilling if needed. Use goggles to protect your eyes if you need to drill door holes.

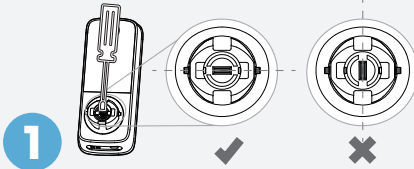
# Installation of Exterior Door Handle Set

## IMPORTANT:

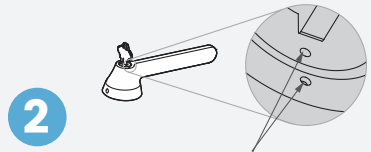
Before installing the smart lock, follow the below steps on this page to complete the installation of the Exterior Door Handle Set.



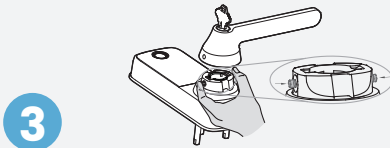
## Installation Instructions



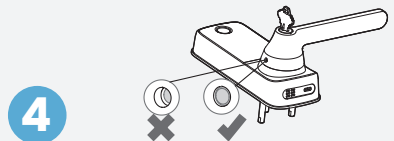
Use a flathead screwdriver to rotate the sleeve to a horizontal position, aligning the notches on both sides with the spring pin.



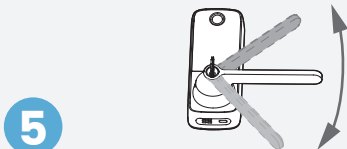
Insert key and rotate lock face so that the two pit points align as shown.



Using your fingers, press the two pins located on the left and right side of the lock to insert the handle back onto the lock.



After confirming that the installation is complete, check whether the pin is popped up. Adjust the handle accordingly to ensure that the pins are fully released.



Check that your handle moves smoothly by turning it up and down.



Rotate the key to horizontal and remove it.

# Installation

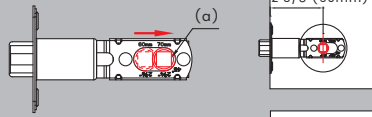
Installing the lockset	06
Changing handle for right or left swing doors	07 ~ 09
Preparing lock for installation	10
Installing the lock (exterior)	11
Installing the lock (interior)	12 ~ 15
Installing the door strike	16 ~ 18
Troubleshooting/FAQs	19 ~ 20

# Installing the lockset

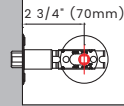
To ensure normal functions and stable long-term operation of this lockset, replace your door's old lockset with the provided Lockly lockset. The included lockset is designed and optimized for Lockly smart locks.

Measure the distance between center of front door hole to the edge of your door. Push the shaft (a) to adjust the lockset to 2 3/8" (60mm) or 2 3/4" (70mm).

## Latch Adjustment



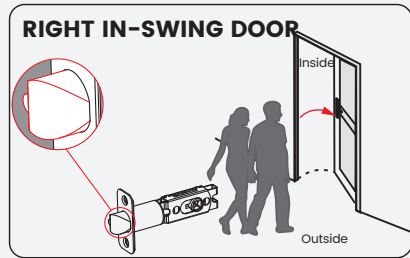
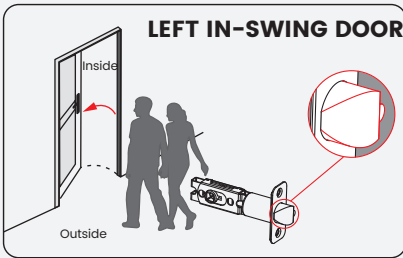
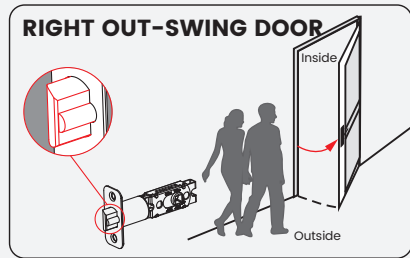
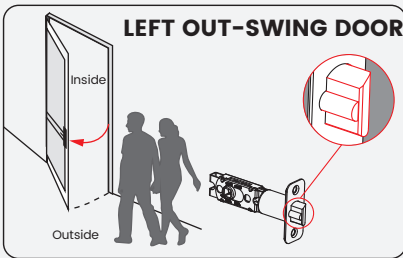
Push the shaft (a) to adjust the lockset to 2 3/8" (60mm) or 2 3/4" (70mm).



QUICK TIP

The shaft's horizontal and vertical alignment must be sustained during installation to ensure latch will fully extend and lock securely.

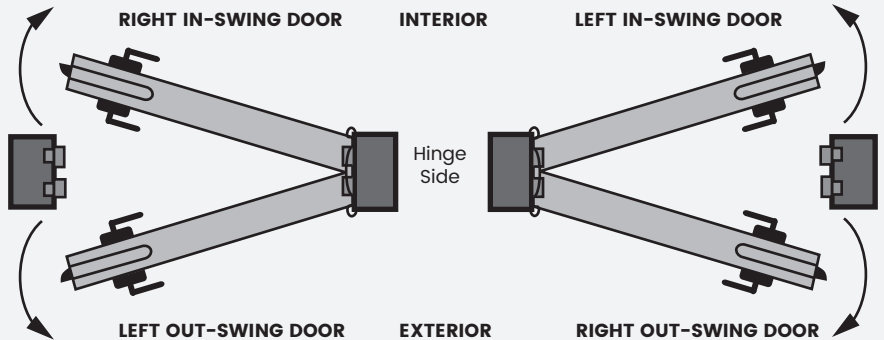
Facing the door exterior, install the lockset according to the in-swing or out-swing opening direction of your door.



Secure lockset with provided **G** screws.

# Changing handle for right or left swing doors

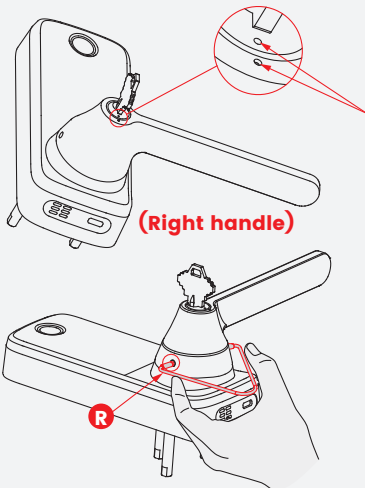
The lock ships with handle default for right in-swing or left out-swing door. Check the diagram below if you are unsure of your door orientation.



No need to change door handle orientation. Skip Step 2.

**LEFT IN-SWING and RIGHT OUT-SWING DOORS require changing the door handle orientation.** Continue to follow Step 2 to change exterior and interior door handle orientation.

## Changing the Exterior Handle Orientation



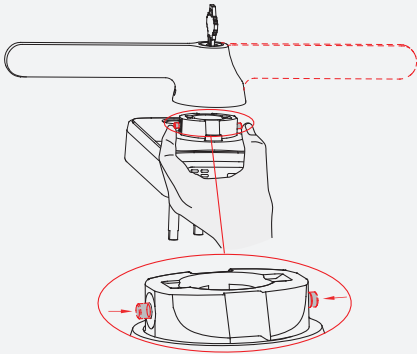
1

Insert the key and turn the lock face until the two pit points align as shown.

2

Use the provided pin insert **R** to press the metal pins located at the 3 o'clock and 9 o'clock positions on the base of the handle. Remove the handle once the pins are compressed.

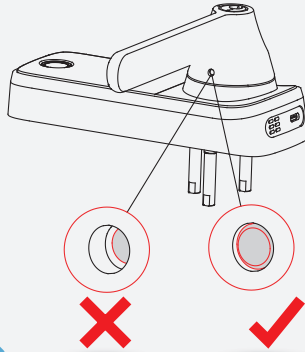
## Changing handle for right or left swing doors continued



3

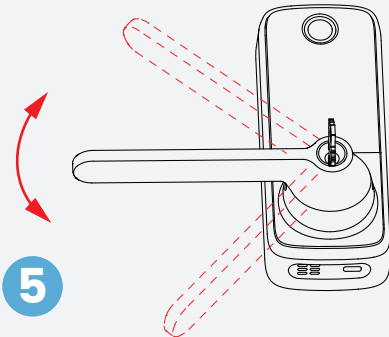
Rotate the handle 180°.

Using your fingers, press the two pins located on the left and right side of the lock to insert the handle back onto the lock.



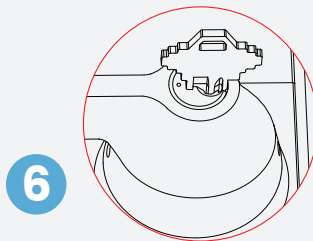
4

After confirming that the installation is complete, check whether the pin is popped up. Adjust the handle accordingly to ensure that the pins are fully released.



5

Check that your handle moves smoothly by turning it up and down.



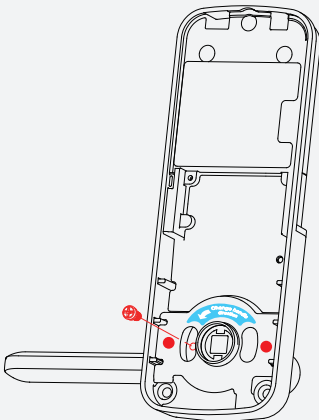
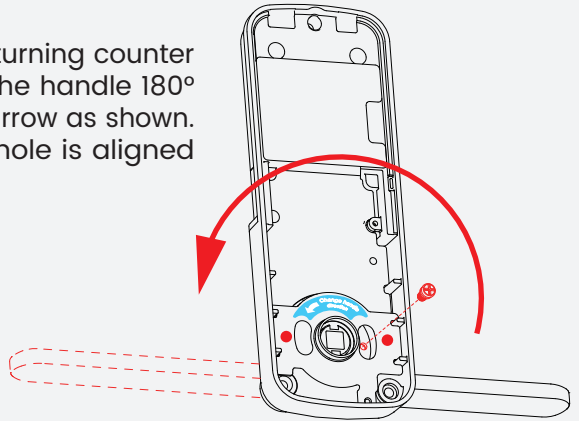
6

Rotate the key to horizontal and remove it.

## Changing the Interior Handle Orientation

1

Remove the screw by turning counter clockwise and rotate the handle 180° in the direction of the arrow as shown. Make sure the screw hole is aligned with the marker.



2

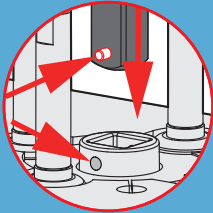
Securely screw clockwise as shown to complete your handle orientation change.

# Preparing lock for installation

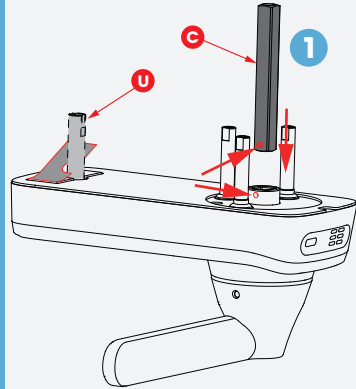
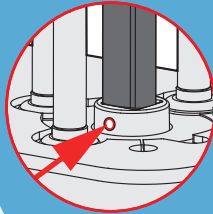
If you drilled a hole during preparation, use a vise to secure the Slotted Barrel Extension and tighten it clockwise.

1 Position Spindle **C** so that the holes are facing the base of the lock.

Press and hold the pegs while inserting them into the square slot of the internal rotating shaft. Ensure that the pegs are aligned with the direction of the side holes of the internal rotating shaft.

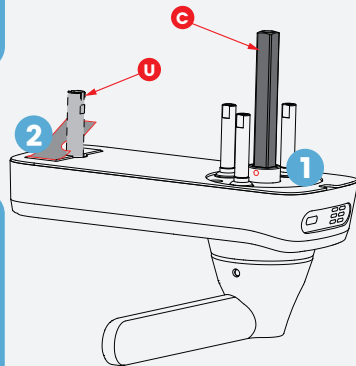
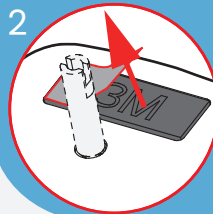


The pegs will pop out through the side holes of the internal rotating shaft once they are successfully inserted.



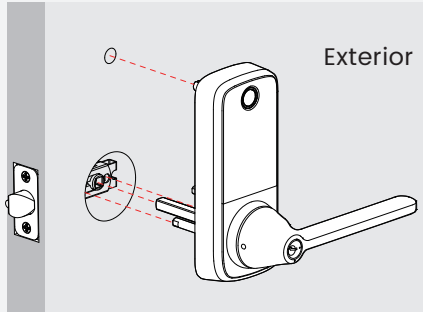
2

Peel off the paper layer from the adhesive tape to prepare for installation.

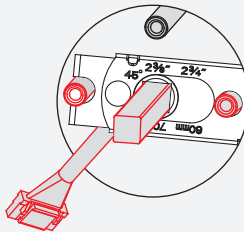


# Installing the lock (exterior)

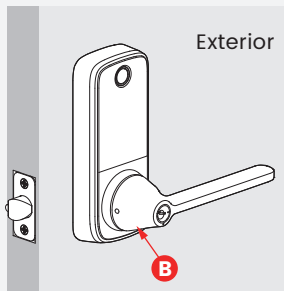
- 1 Install the exterior assembly as shown by aligning the lock straight and passing the cable and attached rods through the lockset.



- 2 Pass the Spindle **C** through the center of the lockset, and the round rods through the sides in their respective holes. **The cable should run underneath the lockset.**

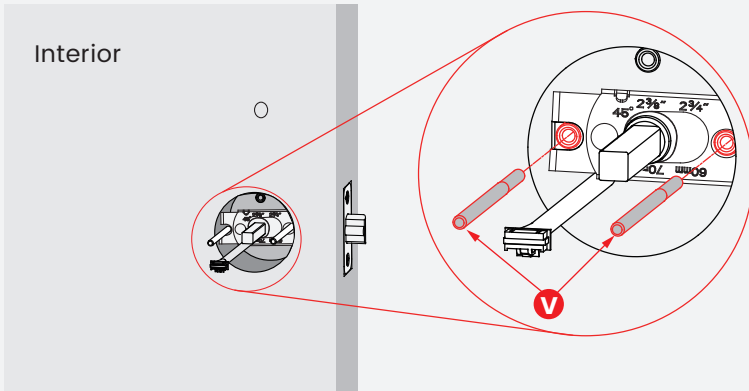


- 3 Align the lock straight and press down firmly (if you use the adhesive tape in step 2 of "Preparing lock for installation") to secure the top of the lock.



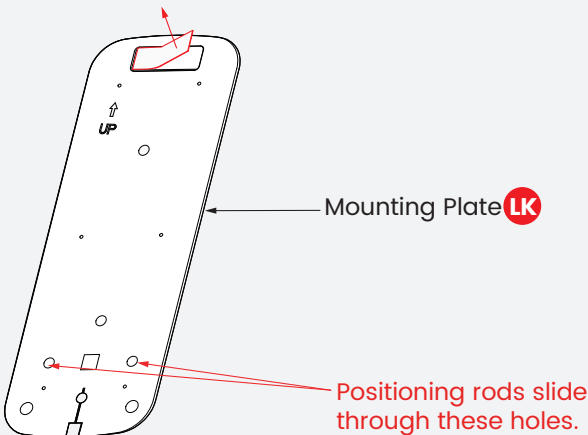
# Installing the lock (interior)

- 1 Insert Positioning Rods **V** into the holes on the left and right of the Spindle **C**.



- 2 Interior Mounting Plate **LK** will be installed on the interior side of your door. Remove the paper layer from the adhesive tape and align the positioning rods at the bottom of the plate with left and right holes.

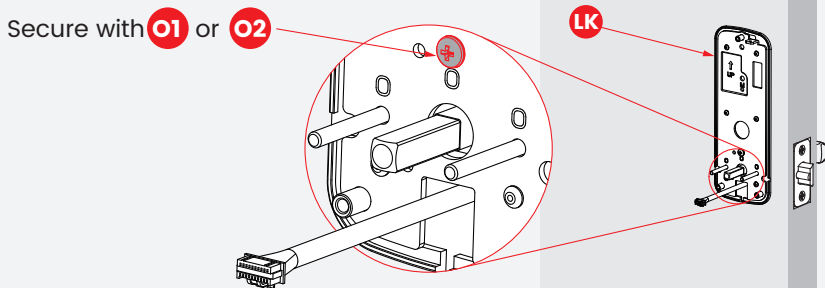
Install the side with the black plastic seal against the door.



## Installing the lock (interior) continued

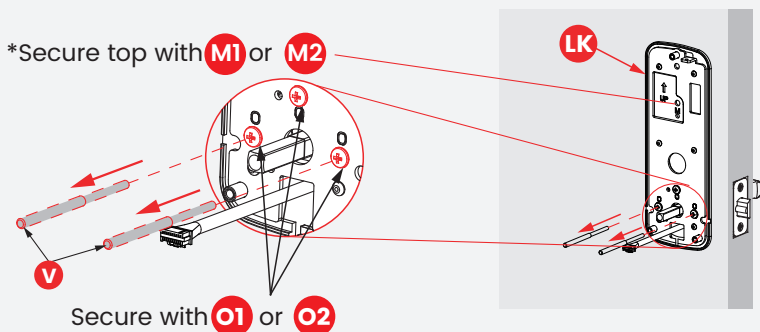
- 3** Gently pull the cable from the lock exterior through the rectangular hole underneath the positioning rods and spindle.


Secure the hole above the spindle with screws **O**.




- 4** Remove the position rods **V** and replace them with screws **O**. Tighten clockwise to secure the mounting plate.


\* If you have drilled a hole on the top during preparation, please secure with screw M1 or M2 depending on your door thickness. Skip this if no hole was drilled during preparation.



**O1**  PM4 x 25mm

**O2**  PM4 x 32mm

**M1**  PM5 x 25mm

**M2**  PM5 x 35mm

# Installing the lock (interior) continued

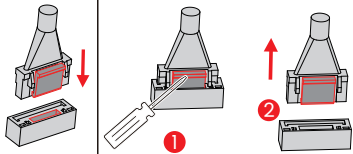


The package includes wired door sensor accessories. Installation is optional. If you choose to install them, please refer to the instruction page for the door sensors.

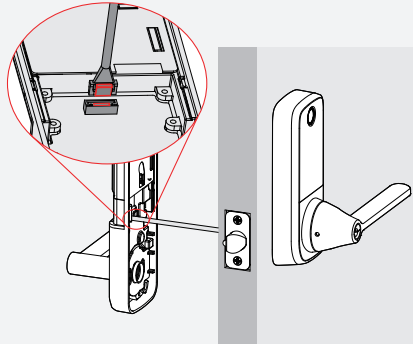
- 5** Plug the cable into the lock's interior assembly by aligning the pins on the head with the holes in the slot, then gently push it in until it fits snugly.

**Install Cable**

**Remove Cable**



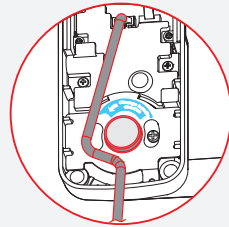
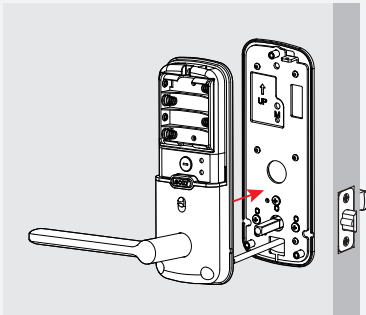
If you need to disconnect this cable, use a flathead screwdriver to hold down the tab before carefully unplugging. **DO NOT FORCE** as this may result in damaging the lock.



- 6** Align the square rod to the interior assembly and attach the interior assembly to the mounting plate.

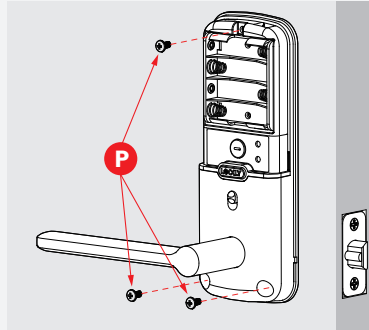
Gently push excess cable through the rectangular hole into the door. Place the remaining cable against the interior assembly to secure it to the mounting plate.

Make sure the cable is clear of the square rod **C** to avoid tangling.



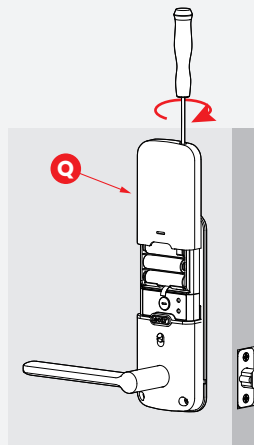
## Installing the lock (interior) continued

- 7** Once the interior assembly is flush with the mounting plate, secure it by tightening the provided screws **P** clockwise.



- 8** Insert 4 AA batteries into the lock by aligning the positive **+** and negative **-** orientation markings on the batteries to the battery chamber.

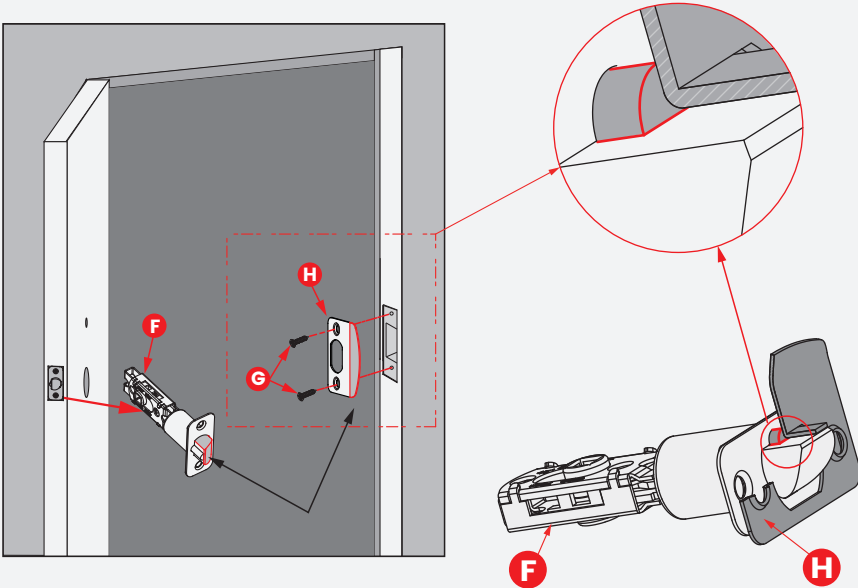
Check if the lock powers on successfully and functions properly after installing the batteries. Then, secure the battery cover by sliding it over the lock and tightening the screw on top clockwise.



# Installing the door strike

Close your door to see if the lock aligns securely with your existing door strike. If it does, you can keep the current strike without removing the old hardware.

For optimal performance, we recommend using our door strike.



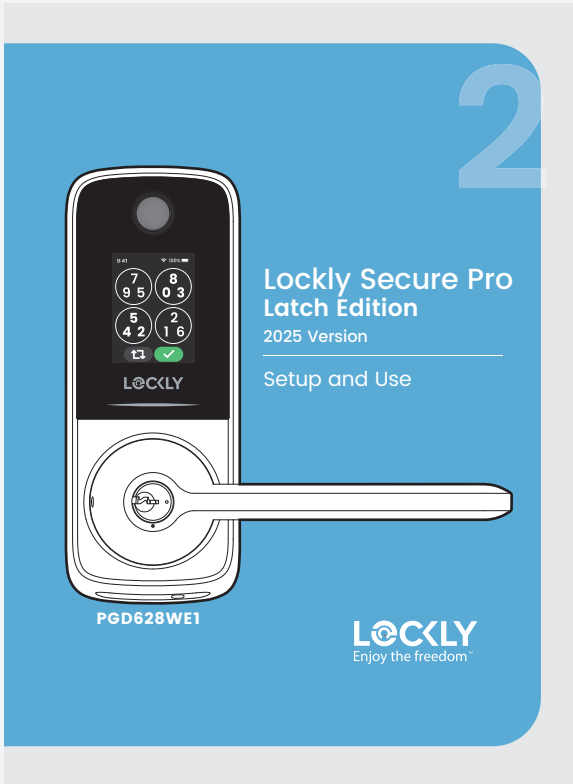
**IMPORTANT:** Check the alignment of the screw holes of both the latch and the strike. Ensure the latch plunger is against the Strike Plate **H**.

Make sure the slanted side of Latch **F** is closing against the slanted part of Strike Plate **H** before securing it to the door frame.

Use screw **G** to install Strike Plate **H**.

# Continue to Setup and Use

Refer to guide number 2 "Setup and Use" to complete installation.



Scan for the most updated version.

# Troubleshooting FAQs

## Troubleshooting/FAQs

---

### **Can I install the smart lock myself, or do I need a professional?**

Locky smart locks are designed to install yourself by following the provided step-by-step installation guide or online video instructions. However, if you're not comfortable with DIY installations, hiring a professional is recommended.

### **Does Lockly offer professional installation support services?**

We offer free White Glove installation support. Please schedule the installation support with us via email at [help@lockly.com](mailto:help@lockly.com), customer support: (669) 500-8835 or our help portal at [Lockly.com/help](https://lockly.com/help).

### **How do I know if my door fits a LOCKLY lock?**

Before purchasing, it's a good idea to measure your door's thickness and backset accurately and compare these measurements with the specifications provided by Lockly. If you have any doubts or questions, our customer support or installation guides can provide additional assistance to ensure a proper fit for your door.

### **Where can I download the Installation Video and Manuals?**

For comprehensive video tutorials and manual guides on installing Lockly locks, please visit [lockly.com/pages/installation](https://lockly.com/pages/installation).

### **How to re-key a LOCKLY smart lock?**

Lockly uses 5-pin cylinders for the Deadbolt Editions, which can be replaced using rekeying kits from various brands. Always follow the specific instructions provided by Lockly for your model, as rekeying procedures can vary. If you need clarification or are uncomfortable with rekeying, we recommend seeking help from a professional locksmith. to ensure it's done correctly and efficiently.

### **How long does the installation process take?**

The installation process usually takes about 20-35 minutes, depending on your experience and the type of door.

## Troubleshooting/FAQs

---

### **Is Lockly compatible with all types of doors?**

Lockly is compatible with most left and right swinging standard doors. However, it's important to check the specifications to ensure compatibility with your door type. Doors thicker than 2 inches (50mm) may require an optional longer torque plate and screws available through Lockly customer service at: [support@lockly.com](mailto:support@lockly.com) or (669) 500-8835.

### **What should I do if the smart lock doesn't fit my door?**

If the smart lock doesn't fit, you may need to make minor adjustments to your door, door frame or consult Lockly customer service at: [support@lockly.com](mailto:support@lockly.com) or (669) 500-8835 for assistance.

### **How do I connect the smart lock to my Wi-Fi network?**

After installing the lock, follow the instructions in the app to connect it to your Wi-Fi network. You'll need your Wi-Fi password handy.

**FCC Warning :**

This device complies with Part 15 of the FCC Rules. Operation is subject to the following two conditions: (1) This device may not cause harmful interference, and (2) this device must accept any interference received, including interference that may cause undesired operation.

**NOTE 1:** This equipment has been tested and found to comply with the limits for a Class B digital device, pursuant to part 15 of the FCC Rules. These limits are designed to provide reasonable protection against harmful interference in a residential installation. This equipment generates, uses and can radiate radio frequency energy and, if not installed and used in accordance with the instructions, may cause harmful interference to radio communications. However, there is no guarantee that interference will not occur in a particular installation. If this equipment does cause harmful interference to radio or television reception, which can be determined by turning the equipment off and on, the user is encouraged to try to correct the interference by one or more of the following measures:

- Reorient or relocate the receiving antenna.
- Increase the separation between the equipment and receiver.
- Connect the equipment into an outlet on a circuit different from that to which the receiver is connected.
- Consult the dealer or an experienced radio/TV technician for help.

**NOTE 2:** Any changes or modifications to this unit not expressly approved by the party responsible for compliance could void the user's authority to operate the equipment.

**FCC Radiation Exposure Statement**

This equipment complies with FCC radiation exposure limits set forth for an uncontrolled environment. It should be installed and operated with minimum distance 20cm between the radiator & your body.

**IC WARNING**

This equipment contains licence-exempt transmitter(s) that comply with Innovation, Science and Economic Development Canada's licence-exempt RSS(s). Operation is subject to the following two conditions:

- (1) This device may not cause interference.
- (2) This device must accept any interference, including interference that may cause undesired operation of the device.

L'émetteur/récepteur exempt de licence contenu dans le présent appareil est conforme aux CNR d'Innovation, Sciences et Développement économique Canada applicables aux appareils radio exempts de licence. L'exploitation est autorisée aux deux conditions suivantes:

1. L'appareil ne doit pas produire de brouillage;
2. L'appareil doit accepter tout brouillage radioélectrique subi, même si le brouillage est susceptible d'en compromettre le fonctionnement.



**WARNING:** Cancer risk from exposure to Lead. See [www.P65Warnings.ca.gov](http://www.P65Warnings.ca.gov).

# We'd love your feedback.

Please let us know how your installation went or if you have any other comments.

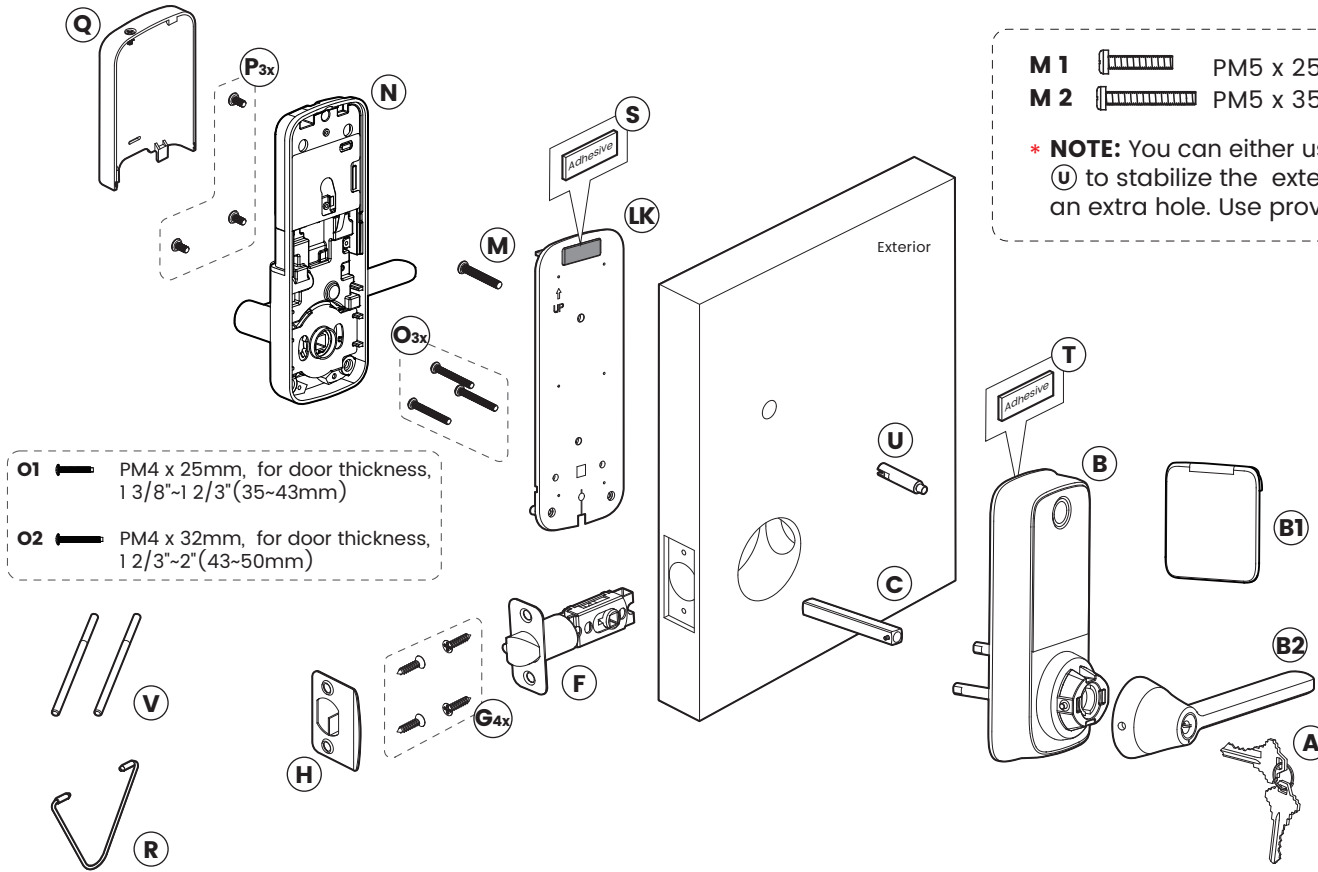
Our short survey takes less than 2 minutes to complete.



Scan to start

# INSTALLATION OVERVIEW & PARTS LIST

This lock can be installed for both left or right swing doors. The lock ships ready for a right swing door installation. If you wish to change the orientation of the lock for a left swing door, follow instructions on Installation Guide **(Step 2)**.



- O1** PM4 x 25mm, for door thickness, 1 3/8"-1 2/3" (35-43mm)
- O2** PM4 x 32mm, for door thickness, 1 2/3"-2" (43-50mm)

- M1** PM5 x 25mm Screw, Door thickness 1 3/8"-1 2/3" (35-43mm)
  - M2** PM5 x 35mm Screw, Door thickness 1 2/3"-2" (43-50mm)
- \* NOTE:** You can either use the exterior adhesive **(T)** or slotted barrel extension **(U)** to stabilize the exterior part. Slotted barrel extension **(U)** requires drilling an extra hole. Use provided template for drilling instructions if needed.

## Parts List

Labeled As	Description
<b>A</b>	Keys
<b>B</b>	Exterior Assembly
<b>B1</b>	Touchscreen Cover
<b>B2</b>	Door Handle Set
<b>C</b>	Spindle
<b>F</b>	Latch
<b>G</b>	KA4 x 20mm Screw
<b>H</b>	Latch Strike Plate
<b>M</b>	PM5 Screw
<b>N</b>	Interior Assembly
<b>O</b>	PM4 Screw
<b>P</b>	BM4 x 8mm Screw
<b>Q</b>	Battery Cover
<b>R</b>	Clamping Tool
<b>S</b>	Interior Adhesive
<b>T</b>	Exterior Adhesive
<b>U</b>	Slotted Barrel Extension
<b>V</b>	Positioning Rod
<b>W</b>	Activation Card
<b>LK</b>	Mounting Plate
<b>AA</b>	Wired Sensor
<b>AB</b>	Sensor Magnet
<b>AC</b>	Foam Pads
<b>AD</b>	BM3 x 6mm Screw
<b>AE</b>	Cable clip

**\* NOTE:** The door sensor is an optional accessory, please refer to the corresponding installation instructions for installation if necessary.



# Lockly Secure Pro

---

As always, we welcome your comments and feedback at: [help@Lockly.com](mailto:help@Lockly.com)



© **Copyright 2025 Lockly All rights reserved**

Patent No. US 9,881,146 B2 | US 9,853,815 B2 | US 9,665,706 B2 | More patents refer to <https://lockly.com/pages/our-patents>

The Bluetooth® word mark and logos are registered trademarks owned by the Bluetooth SIG, Inc., and any use of such marks by Lockly is under license. Other trademarks and trade names are those of their respective owners. Google, Android, Google Play and Google Home are trademarks of Google LLC., Amazon, Alexa and all related logos are trademarks of Amazon.com, Inc., or its affiliates.