

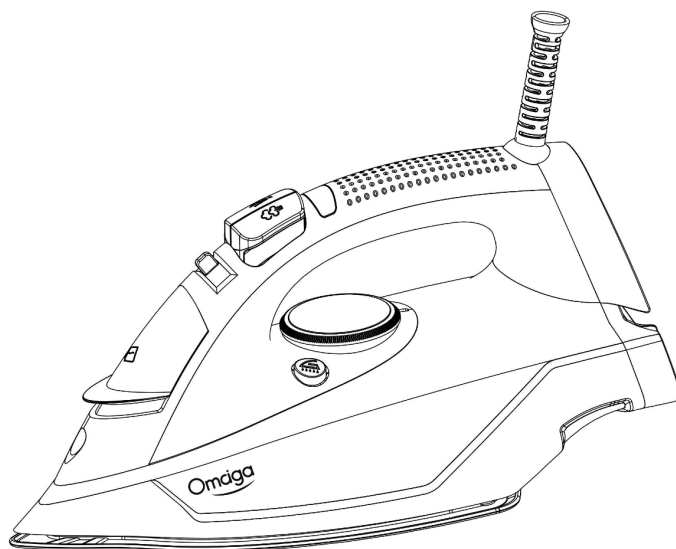
145.0 mm

20231031 黑白

210.0 mm

Omciga

INSTRUCTION MANUAL



MODEL NO: OM-950A/OM-950E
Steam Iron

OMAIGA STEAM IRON

Congratulations on purchasing the Omaiga Steam Iron. Each unit is manufactured to ensure safety and reliability. Before using this appliance for the first time, please read the instruction manual carefully and keep it for future reference.

IMPORTANT SAFEGUARDS

When using electrical appliances, basic safety precautions should always be followed to reduce the risk of fire, electric shock, and/or injury to persons, including the following:

1. Read all instructions.
2. This appliance is not intended for use by persons (including children) with reduced physical, sensory, or mental capabilities, or lack of experience and knowledge, unless they are closely supervised and instructed concerning use of the appliance by a person responsible for their safety.
3. Close supervision is necessary when any appliance is used by or near children. Children should be supervised to ensure that they do not play with the appliance.
4. Use appliance only for its intended use.
5. To avoid the risk of electric shock, do not immerse the iron in water or other liquids.
6. Always turn the iron to "min" before plugging or unplugging the iron from the mains outlet. Never pull the cord to disconnect from the mains: instead, grasp plug and pull to disconnect.
7. Do not let the cord touch hot surfaces. Let the iron cool completely before putting the iron away. Coil the cord into the provided cord reel for storing.
8. Always disconnect the iron from the electrical outlet before filling the iron with water, emptying the water from the iron, and when the iron is not in use.
9. Do not operate the iron with a damaged cord or in the event the iron has been dropped or damaged or there are visible signs of damage or it is leaking. To avoid the risk of electric shock, do not disassemble the iron. Supply cord replacement and iron repairs must be conducted by a qualified serviceman or the manufacturer. Incorrect assembly might result in a risk of electric shock when the iron is used after reassembly. Contact Customer Service for information on examination, repair, or adjustment as set forth in the Limited Warranty.
10. The iron must be used and rested on a stable surface.
11. When placing the iron on its stand, ensure that the surface on which the stand is placed is stable.
12. Do not leave the iron unattended while the iron is connected or on an ironing board.
13. Burns can occur from touching hot metal parts, hot water, or steam. Use caution when you turn a steam iron upside down—there might be hot water in the reservoir.
14. To avoid a circuit overload, do not operate an iron on the same circuit with another high-wattage appliance.
15. If an extension cord is absolutely necessary, a cord with an ampere rating equal to or greater than the maximum rating of the iron shall be used. A cord rated for less amperage can result in a risk of fire or electric shock due to overheating. Care shall be taken to arrange the cord so that it cannot be pulled or be tripped over.

SAVE THESE INSTRUCTIONS

SAFETY INSTRUCTIONS

Household use and dry location use only



Keep the unit away from children



Never immerse the unit into water



Do not touch the appliance with wet hand



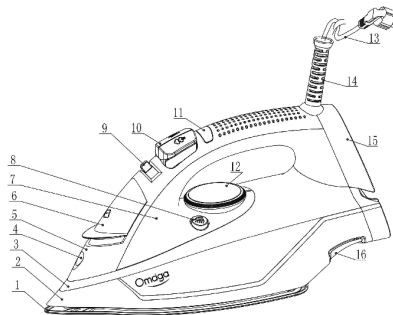
Only use the unit with ironing board

Unplug from wall outlet when not in use and cleaning



Caution : The bottom is very hot when use. Beware of scalding of steam

PARTS DIAGRAM



- | | |
|----------------------|--------------------------|
| 1. Soleplate | 9. Steam button |
| 2. Skirt | 10. Spray & Burst button |
| 3. Watertank | 11. Indicator light |
| 4. Spray nozzle | 12. Temperature knob |
| 5. Handle cover | 13. Power Cord |
| 6. Fill cover | 14. Cord Brushing |
| 7. Handle | 15. Back cover |
| 8. Self-clean button | 16. Rating panel |

FEARURES

- 120V/60Hz/1500W
- Dry, steam, spray ironing
- Powerful burst of steam up to 0.6g/press
- Variable steam control
- Convenient swivel cord with cord wrap area
- Overheat safety protection circuit
- Ceramic soleplate
- With indicator light and heel rest
- Vertical steam feature, ideal for suits, dresses and delicate fabrics
- Adjustable thermostat and steam control
- Fabric temperature guide
- Self-clean, Anti-calc, Anti-drip
- Auto Shut Off feature (For OM-950E)
- Water tank capacity: 350 ml
- Continuous steam up to 25g /min max
- For domestic use only

OPERATION INSTRUCTIONS

Suggestions before using the iron for the first time

1. Certain parts of the iron have been lightly greased therefore the iron could give off a little smoke when plugged in for the first time. This will cease after a short while.
2. Before using the iron for the first time, remove the plastic protector from the base (if it has one) clean the base with a soft cloth.
3. Keep the base very smooth. Do not run it over metal objects (such as against the ironing board, buttons, zips, etc.)
4. Pure wool fibres (100% wool) can be ironed with the appliance in the steam position. by preference, select a high steam position and use a dry ironing cloth.

Selecting the temperature

1. Check the ironing instructions on the garment to be ironed.
2. If the garment does not have any ironing instructions but you know the kind of fabric in question, use the chart below.
3. Fabrics that have some kind of finish (polishing, wrinkles, contrasts....) can be ironed at the lowest temperatures.
4. If the fabric contains several kinds of fibres, always select the temperature applicable, if an article contains 60% polyester and 40% cotton, you must always choose the temperature corresponding to polyester and without steam.
5. First classify the articles to be ironed according to the most suitable ironing temperature: wool with wool, cotton with cotton, etc. as the iron heats up as fast as it cools, start by ironing

the articles requiring the lowest temperature such as those made of synthetic fibres. Progress towards those that require the highest temperatures.

6. Turn the temperature control until it is in front of the appropriate signal according to the following:

- position for nylon and acetate
- position for wool, silk or mixures
- position for cotton or linen (steam).

How to fill the water tank

1. Unplug the iron.
2. Set the steam button to dry ironing.
3. Fill the tank through the filling hole.

-If you have hard water, it is advisable to use only distilled or demineralized water.

-do not use chemically de-limed water or perfumed

Do not store the iron with water in the tank.

FUNCTION

Steam ironing

1. Fill the iron as described in the section "**how to fill the water tank**".
2. Plug the iron into the mains.
3. Steam ironing is only possible when the highest temperatures shown on the temperature control are selected. Otherwise, water may escape through the soleplate.
4. Wait until the pilot light goes out, which indicates that the selected temperature has been reached.
5. Turn the steam button to the required position.
6. When the ironing is finished and during breaks in ironing, place the iron in its upright position.
7. Disconnect the iron from the mains supply. Pour of any remaining water and leave the iron to cool off.

Spray

1. The spray can be used in any position, either in dry or steam ironing, as long as the water tank is filled with water.
2. Press the spray button for this function.

NOTE : This button has to be pressed repetitively to start this function for the first time.

Shot of steam

Shot of steam give extra steam for removing persistent wrinkles.

1. Place the temperature selector at the "max" position and wait until the pilot light goes out.
2. Wait for a few seconds for the steam to penetrate the fibre before pressing again.

NOTE : For the best steam quality, do not use more than three successive bursts each time.

Several pumping actions are needed to start this function.

Excessive use of this feature will cause the iron to cool, ensure that the pilot light is out, before operating the shot of steam control.

Dry ironing

Your iron can be used for dry ironing. Set the variable steam switch to '☒' and set the temperature dial. You won't need water in the tank unless using the water spray or steam shot features.

Vertical steam

Vertical steam is useful for removing creases from hanging clothes, curtains, etc. Hold the iron between 1cm and 2cm away from the item and press the Burst button.

Anti-drip system

This prevents water escaping from the soleplate when the iron is too cold. During use, the anti-drip system may emit a loud click, particularly during heat-up or whilst cooling down. This is perfectly normal and indicates that the system is functioning correctly.

Anti-scale system

This system reduces scale deposits and helps prolong the life of the iron.

Auto Shut-off system (For OM-950E only)

The iron will automatically shut down if stationary in the horizontal position for 30 seconds, or in the vertical position (when stood on its heel) for 8 minutes.

If the auto shut-off activates, the temperature and auto shut-off indicator light will flash. Gently move the iron and it will re-heat. Wait for the iron to heat-up (and the temperature and auto shut-off indicator light to extinguish), then continue ironing.

CLEANING AND MAINTENANCE

After ironing

1. Set steam control to the No Steam position '☒', set the Temperature Control to MIN and unplug the appliance from the outlet and ensure the iron is cooled down completely, and empty all water from your iron.
2. Wipe scale and any other deposits off the soleplate with a damp cloth.
3. To keep the soleplate smooth, you should avoid hard contact with metal objects. Never use a scouring pad, vinegar or other chemicals to clean the soleplate.
4. Clean the upper part of the appliance with a damp cloth.
5. Regularly rinse the water tank with water. Empty the water tank after cleaning. Never immerse the iron in water or other liquids. Do not touch the hot metal part, hot water, or steam to avoid scalding.

Self-cleaning function

Your iron has a built in self clean system designed to keep the water valve, steam chamber and steam vents clear of lint, limescale and other loose mineral deposits.

1. Half fill the iron with water.
2. Place the iron on its heel.
3. Move the steam switch to the '☒' position.
4. Connect to a mains supply outlet.
5. Set the temperature dial to 'MAX'.
6. Leave the iron switched on, rested on its heel until the temperature and auto shut-off indicator light goes out.
WARNING: Keep hands and body away from the hot soleplate.
7. Disconnect the iron from the mains supply outlet.
8. Whilst the iron is still very hot, hold the iron horizontally over a sink.
CAUTION: The soleplate will still be hot, so ensure the power cord and plug are kept away from it and the sink.
9. Push the steam switch fully to the right and hold in the self clean position.

WARNING: Steam and boiling hot water will drain from the holes in the soleplate. Keep hands and body away from the hot water. This washes away the scale and minerals that have built up inside the steam chamber.

10. Whilst still holding the variable steam switch in the self clean position, gently move the iron back and forth until the water tank is empty.

11. When cleaning is complete, move the variable steam switch back to the '☒' position.
12. Rest your steam iron back on its heel and allow to fully cool down.
13. Wipe the soleplate with a cold, damp cloth.

After this cleaning operation, empty out any remaining water.

IMPORTANT: Do not attempt to descale the soleplate with descaling products.

TROUBLE SHOOTING

This chapter summarizes the most common problems you could encounter with your iron.

Problem	Solution
No power or not heating up.	<ol style="list-style-type: none">1. Check the fuse. Try a new fuse with the same rating.2. Try a different appliance in the socket as it may be the socket that is at fault.3. Check the temperature dial has not been set to MIN.4. Check the iron has not gone into auto shut-off mode. Wait for it to heat back up.

Overheating or not getting hot enough.	<ol style="list-style-type: none"> 1. Adjust the temperature dial to ensure the setting matches that recommended on the garment. 2. Allow the iron to reach temperature and stabilise for 1-2 minutes if it has just been plugged in, or re-activated after auto shut-off.
Not steaming or poor steam.	<ol style="list-style-type: none"> 1. Ensure the temperature is set within the steam band and that the steam level is set to the correct level.. 2. Check that there is enough water in the tank. 3. Allow the iron to reach temperature before using steam. 4. Perform a self-clean to clear away limescale inside the iron (refer to "Self Clean" section).
Dripping from the holes in the soleplate.	<ol style="list-style-type: none"> 1. Ensure the temperature is set within the steam band. The iron will not be hot enough to produce steam if the temperature is set too low. 2. The steam level should be set lower if the temperature is set lower to prevent it from dripping. 3. Allow the iron to reach temperature before using steam.
Tripping Electrics.	<ol style="list-style-type: none"> 1. Try using a different socket. 2. Ensure there are no other appliances being used on the same set of sockets as the iron.
The iron emits some white powder from the soleplate	<ol style="list-style-type: none"> 1. If the iron is new, this is residue from manufacturing materials and will diminish after the first couple of uses. 2. If the iron has been used many times, this could be a sign of limescale build-up and a self clean should be performed. Please see "CLEANING AND MAINTENANCE" section.
Leaking water.	<ol style="list-style-type: none"> 1. Do not overfill the iron. 2. Ensure the filler cap is closed properly.

NOTE: As a result of continual improvements, the design and specifications of the product within may differ slightly to the unit illustrated on the packaging.

Email: omaiga_service@outlook.com