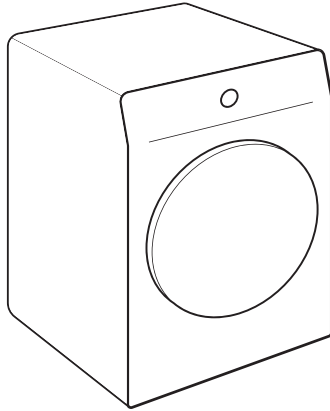




HEAT PUMP DRYER

User Manual



Models:

SLDHP344 | LBDHP244

BEFORE USE, PLEASE READ AND FOLLOW ALL SAFETY RULES AND OPERATING INSTRUCTIONS

Model Number:

Serial Number:

Felix Storch, Inc.
ISO 9001:2015 registered company
770 Garrison Avenue
Bronx, NY 10474
www.summitappliance.com

This dryer is intended solely for household use.

Do not use it to dry clothes that are not suitable for machine drying.

The following symbols are used throughout the manual:



INFORMATION!

Information, advice, tip, or recommendation



WARNING!

Warning – general danger



ELECTRIC SHOCK!

Warning – danger of electric shock



HOT SURFACE!

Warning – danger of hot surface



DANGER OF FIRE!

Warning – danger of fire



It is important to read the instructions carefully.

Contents

IMPORTANT SAFETY INSTRUCTIONS	4
DANGER OF HOT SURFACE	6
SAFETY	6
DESCRIPTION OF THE DRYER	7
Technical information	7
Touch control.....	8
INSTALLATION AND CONNECTION	9
Selecting the room	9
Dryer placement	10
Closet Install- Ventilation Requirements	12
Adjusting the dryer feet	13
Draining the condensate	14
Connecting to the power mains	15
Electrical installation	15
Electrical Connections	16
Moving and transport after installation	16
BEFORE USING THE APPLIANCE FOR THE FIRST TIME	17
DRYING PROCESS, STEP BY STEP (1 - 6)	18
Step 1: Heed the labels on the laundry	18
Step 2: Preparing for the laundry drying process	19
Switching on the dryer	19
Loading the dryer	20
Step 3: Choosing the drying program	21
Program table	22
Step 4: Selecting extra functions	24
Step 5: Starting the drying program	28
Step 6: End of the drying program	28
INTERRUPTIONS AND CHANGING THE PROGRAM	29
Interruptions	29
Changing the program/functions	29
Adding laundry after the start of the program	29
Saving personal settings	29
AdaptTech	30
Personal settings menu	30
Overview of the number of drying cycles performed	30
CLEANING AND MAINTENANCE	31
Cleaning the net filter in the door	32
Cleaning the heat pump filter	33
Cleaning of the heat exchanger	34
Emptying the condensate tank	35
Cleaning the dryer	36
TIPS FOR DRYING AND ECONOMIC USE YOUR DRYER	37
Low standby mode	37
TROUBLESHOOTING	38
DISPOSAL	41
LIMITED WARRANTY	43



IMPORTANT SAFETY INSTRUCTIONS



SAVE THESE INSTRUCTIONS FOR FUTURE REFERENCE!



WARNING!

To reduce the risk of fire, electric shock, or injury to persons when using your appliance, follow basic precautions, including the following:

1. Read all instructions before using the appliance.
2. Do not dry articles that have been previously cleaned, washed, soaked, or spotted with gasoline, dry-cleaning solvents, or other flammable or explosive substances, as they give off vapors that could ignite or explode.
3. **Risk of Suffocation and Injury from Entrapment:** Do not allow children to play on or in the appliance. Close supervision is required when the appliance is used near children.
4. Before the appliance is removed from service or discarded, remove the door to the drying compartment.
5. Do not reach into the appliance if the drum is moving.
6. Do not install or store this appliance outdoors or in locations exposed to weather.
7. Do not tamper with controls.
8. Do not repair or replace any part of the appliance or attempt any service unless specifically recommended in the user-maintenance instructions or in published user-repair instructions that you understand and have the skills to carry out.
9. Do not use spare parts that have not been recommended by the manufacturer (e.g. parts made at home using a 3D printer).
10. Do not use fabric softeners or products to eliminate static unless recommended by the manufacturer of the fabric softener or product. Do not use heat to dry articles containing foam rubber or similarly textured rubber-like materials.
12. Clean lint screen before or after each load.
13. Keep area around the exhaust opening and adjacent surrounding areas free from the accumulation of lint, dust, and dirt.
14. The interior of the appliance and exhaust duct should be cleaned periodically by qualified service personnel.
15. Do not place items exposed to cooking oils in your dryer. Items contaminated with cooking oils may contribute to a chemical reaction that could cause a load to catch fire. To reduce the risk of fire due to contaminated loads, the final part of a tumble dryer cycle occurs without heat (cool down period). Avoid stopping a tumble dryer before the end of the drying cycle unless all items are quickly removed and spread out so that the heat is dissipated.
16. **WARNING:** Improper connection of the equipment-grounding conductor can result in a risk of electric shock. Check with a qualified electrician or service representative or personnel if you are in doubt as to whether the appliance is properly grounded.
17. **WARNING:** Sharp Edges – To reduce the risk of injury, be careful when cleaning the condenser or evaporator coil fins.
18. **WARNING:** Keep the ventilation slits on the housing unobstructed.
19. **WARNING:** Do not damage the refrigerant circuit.

Carefully read the instructions for use before using the dryer.

Do not use the dryer without reading and understanding these instructions for use first.

This appliance is not intended for use by people (including children) with reduced physical, sensory, or cognitive abilities, or by people lacking experience and knowledge, unless they have been given supervision or instruction concerning the use of the appliance by a person responsible for their safety.

These instructions for use of a dryer are supplied with different types or models of dryers. Therefore, they may include descriptions of settings or equipment that are not available in your dryer.

Failure to observe the instructions for use or inappropriate use of the dryer may result in damage to the laundry or the appliance, or injury to the user. Keep the instruction manual handy, near the dryer.

Your dryer is intended solely for household use. If the dryer is used for professional, for-profit purpose or purpose exceeding normal use in a household, or if the dryer is used by a person who is not a consumer, the warranty period shall be equal to the shortest warranty period required by relevant legislation.

Follow the instructions for correct installation of the dryer and connection to the power mains (see INSTALLATION AND CONNECTION).

All and any repairs or maintenance tasks on the dryer should only be done by trained experts. Unprofessional repair may result in an accident or major malfunction.

To avoid danger, a **damaged power cord** may only be replaced by the manufacturer, a service technician, or an authorized person.

After installation, the dryer should stand still for two hours before it is connected to the power mains.

At least two people are required to install the tumble dryer on top of a washing machine.

WARNING!

The dryer may not be connected to the power mains using an extension cord.

Do not connect the dryer to power mains using an external switching device such as a program timer or connect it to power mains that is regularly switched on and off by the power supply provider.

WARNING!

In case of a defect, only use approved spare parts by authorized manufacturers.

⚠ WARNING!

In case of incorrect dryer connection, incorrect use, or servicing by an unauthorized person, the user shall bear the cost of any damage as such damage shall not be covered by warranty.

Always use the ducts or hoses supplied with the dryer.

Install the dryer in a room with adequate ventilation and a temperature between **50°F (10°C)** and **77°F (25°C)**.

Place the dryer on a level and stable solid (concrete) base.

⚠ WARNING!

Do not place the dryer behind lockable or sliding door, or door with a hinge on the opposite side of the dryer door hinge. Install the dryer in such way that the door can always be freely opened.

Never block the air exhaust (evacuation opening).

⚠ WARNING!

Do not place the dryer on a carpet with long fibers as this may impede air circulation.

Air in the dryer environment should not contain dust particles. The air where the dryer is installed should be thoroughly ventilated to prevent reverse flow of gases released from the gas appliances with open fire (e.g. a fireplace).

Ensure the fibers do not accumulate around the dryer.

The appliance may not be in contact with a wall or adjacent furniture.

After installation, let the dryer rest still for 24 hours before using it. If the dryer must be laid down on one of the sides during transport or servicing, place it with its left side, viewing from the appliance front, downwards.

Do not use the dryer to dry any laundry that has not been washed.

Laundry stained with oil, acetone, alcohol, oil derivatives, stain removers, turpentine, wax, and wax removers should be washed in a washing machine with hot water and detergent before it is dried in the dryer.

Clothing that includes latex, rubber parts, shower and bathing caps, and laundry or covers with rubber foam may not be dried in the dryer.

Use laundry conditioners or similar products in compliance with manufacturer's instructions.

⚠ DANGER OF FIRE!

Remove all objects such as lighters and matches from the pockets.

Before moving the dryer or before storing it in a non-heated room during the winter, the condensate tank must be emptied.

Clean the dryer **filter** after each drying cycle. If you have removed the filter, replace it before the next drying cycle.

⚠ WARNING!

Do not use any solvents or cleaning agents that could damage the dryer (follow the recommendations and warnings provided by the manufacturers of the cleaning agents).

Never add chemicals or fragrances into the condensate tank (see DESCRIPTION OF THE DRYER and EMPTYING THE CONDENSATE TANK).

The dryer uses a heat pump system to heat the air.

The system consists of a compressor and a heat exchanger. When the dryer starts, compressor operation (the sound of flowing liquid) or flow of refrigerant may be louder while the compressor operates. This is not a sign of malfunction, and it will not affect useful life of the dryer. In time and with use of the dryer this noise will become quieter.

The warranty does not cover consumables, minor deviations in color, increased noise that results from appliance age and which does not affect the functionality of the dryer, and aesthetic defects on components, which do not affect the dryer's functionality and safety.

⚠ WARNING!

Do not allow children to play with the dryer.

Prevent your children and pets from entering the drum dryer.

Before closing the door and starting the program, ensure there is nothing except laundry in the drum (e.g. if a child climbed into the dryer drum and closed the door from the inside).

Activate the Child lock. See STEP 4: SETTING THE EXTRA FUNCTIONS/Child lock.

Do not let children younger than three years near the tumble dryer, unless they are under constant supervision.

The dryer is made in compliance with all relevant safety standards.

This dryer may be used by children aged 8 years and above and by people with reduced physical, sensory or cognitive capabilities or lack of experience and knowledge, but only if they are supervised during the use of the appliance, if they have been provided relevant instructions regarding safe use of the dryer, and if they understand the hazards of inappropriate use.

Make sure children do not play with the dryer.

Children may not clean the dryer or perform any maintenance tasks without supervision.

DANGER OF HOT SURFACE



HOT SURFACE!

At higher drying temperatures, the door glass will heat up. Use caution to avoid burns. Make sure children do not play near the glass door.

The back of the dryer may get very hot during operation. Wait for the dryer to cool down completely before touching its back side.

If you open the dryer door during the drying process, the clothes may be very hot and there is a risk of burning.

Never stop the drying process before it is completed; if you do interrupt the cycle for any reason, use caution when removing the laundry from the drum as it is very hot. Quickly remove the laundry from the drum and spread it to cool down as quickly as possible.

SAFETY



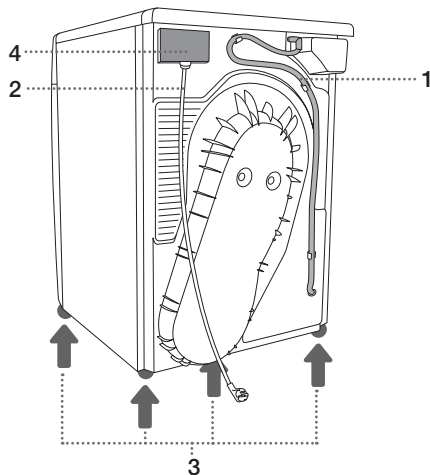
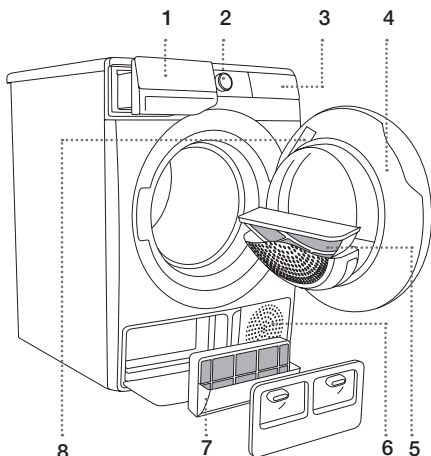
DANGER OF FIRE!

If you have cleaned your clothes with industrial cleaners or chemical substances, **do not dry** them in the dryer.

The dryer is protected by an overheating safety cut-off. This feature switches off the dryer if the temperature becomes too high.

If the lint filter becomes clogged, the dryer may automatically switch off due to overheating. Clean the filter, wait for the dryer to cool down, and then try to restart it. If it still does not start, contact technical service.

DESCRIPTION OF THE DRYER



FRONT

1. Condensate tank
2. Dryer ON/FF and program selector knob
3. Touch control
4. Door
5. Net filter
6. Air vent
7. Heat pump filter
8. Rating plate

BACK

1. Condensate discharge hose
2. Power cord
3. Adjustable feet
4. Junction box

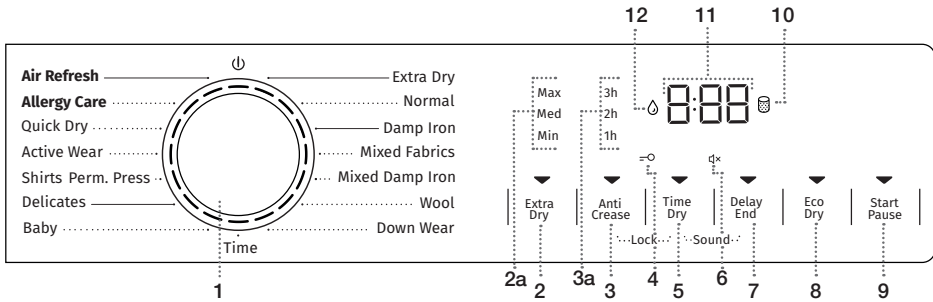
Technical information

Rating plate with basic information about the dryer is located on the inner side of the dryer door.

Width	23½" (600 mm)
Height	33½" (850 mm)
Dryer depth (a)	24½" (625 mm)
Depth with door closed	25½" (653 mm)
Depth with door open (b)	44½" (1134 mm)
Rated voltage	See rating plate
Fuse	See rating plate
Nominal power	See rating plate
Amount of refrigerant	See rating plate
Refrigerant typ	R134a
Maximum load	See rating plate

The product includes fluorinated greenhouse gases.
 Refrigerant type: R134a
 Amount of refrigerant: 0,66 lb (0,30 kg)
 Total GWP (global warming potential): 1430
 CO₂ equivalent: 945.8 lb (0,429 t)
 Hermetically sealed.

Touch control



1	<p>Dryer ON/OFF and PROGRAM SELECTOR KNOB. To TURN ON the dryer, rotate the program selector knob in either direction. To TURN OFF the dryer, rotate the program selector knob to the OFF position . To SELECT a drying program, rotate the knob in either direction. The indicator light next to the selected program lights up.</p>
2	<p>EXTRA DRY (DRYNESS LEVEL) The symbol will light up when the function is selected. Extra functions: To select dryness level MAX, MED, MIN (2a) and extend the drying time.</p>
3	<p>ANTI CREASE (CREASE PREVENTION) The selected operating time of the function will light up. 1h, 2h, 3h (3a)</p>
3+5	<p>Child Lock ON/OFF (Lock) Press and hold ANTI CREASE and TIME DRY (3 and 5) for 3 seconds.</p>
4	<p>CHILD LOCK symbol </p>
5	<p>TIME DRY (TIMED DRYING) Option to set the drying time.</p>
6	<p>SOUND OFF symbol (light) </p>
7	<p>DELAY END (DELAYING THE END OF THE DRYING PROGRAM) Option to set the time when the drying will end.</p>
5+7	<p>Sound ON/OFF (Sound) Press and hold TIME DRY and DELAY END (5 and 7) for 3 seconds.</p>
8	<p>ECO DRY (LOWER TEMPERATURE) Option to dry at a lower temperature.</p>
9	<p>START/PAUSE button The button has 3 functions:</p> <ul style="list-style-type: none"> • START – starting the drying program (press once to start the program) • PAUSE – pause the drying program (press twice to pause the operation) • SAVING PERSONAL SETTINGS (hold for 5 seconds). <p>When the appliance is turned on, the indicator on the button lights up.</p>
10	<p>CLEAN THE FILTER symbol (light)</p>
11	<p>The following is displayed on the DISPLAY UNIT:</p> <ul style="list-style-type: none"> • Available functions • Time remaining to program completion • Information for the user.
12	<p>EMPTY THE CONDENSATE TANK symbol (light)</p>



INSTALLATION AND CONNECTION

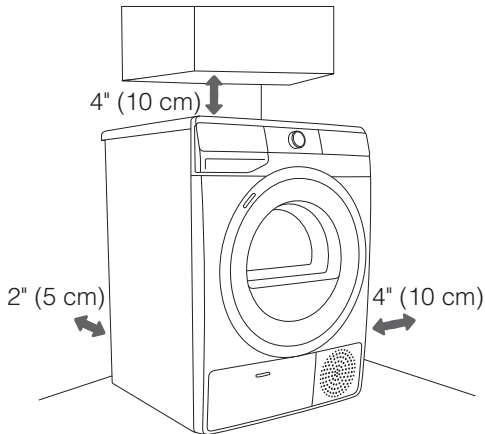
WARNING:

- Install the clothes dryer according to the manufacturer's instructions and local codes.
- Clothes dryer installation must be performed by a qualified installer.
- To reduce the risk of severe injury or death, follow all installation instructions.
- Save these instructions.

INFORMATION!

Remove all packaging. Use caution when removing the packaging with sharp objects so not to damage the dryer.

Selecting the room



INFORMATION!

The dryer may not be in contact with a wall or adjacent furniture. For optimum dryer operation, we recommend observing the clearance from the walls as indicated in the figure. In case of failure to heed the required minimum clearance, the dryer may overheat.

INFORMATION!

Do not obstruct the vents and the air exhaust opening on the back or front side of the dryer.

Install the dryer in a well-ventilated room, with a temperature between 50°F and 77°F (10°C and 25°C). Operating the dryer in lower temperatures may cause condensation to build up inside.

Do not install the dryer in an area where it could freeze, as frozen water in the condensate tank or pump may cause damage.

The dryer emits heat. Avoid placing the dryer in a small room as the drying process may take longer due to limited air circulation.

Ensure the room is well-lit so the display and control panel can be easily read.

Dryer placement

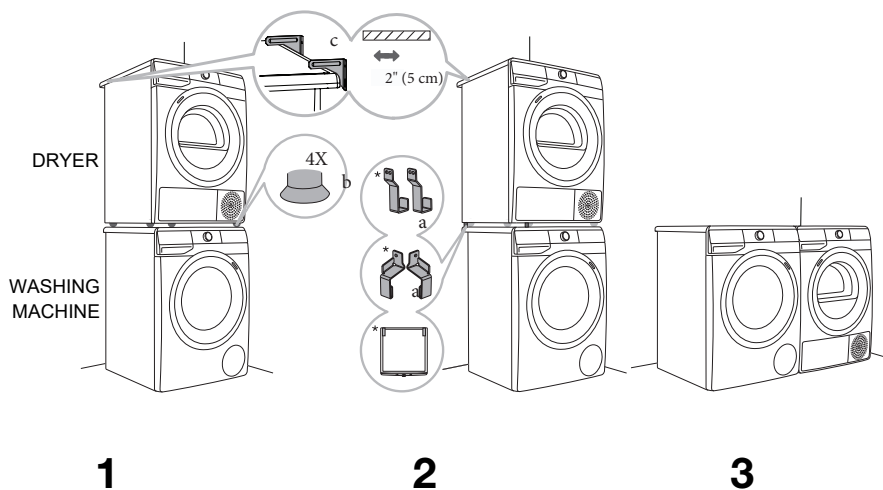
If you also have a dryer of corresponding (same) dimensions, it can be placed on top of the washing machine. The vacuum feet must be used when installing a dryer over the washing machine. Alternatively, the dryer can be placed next to the washing machine (figures 1 and 3).

If your washing machine is smaller (minimum depth $21\frac{1}{2}$ " / 545 mm) than your dryer, then the dryer support has to be purchased separately (figure 2). The supplied vacuum feet must be used; they are designed to prevent the dryer from slipping. **It is essential to use the vacuum feet!**

Additional accessories: dryer support (a), vacuum feet (b), and wall fixing bracket (c).
To order replacement parts, visit our website: summitapplianceparts.com

The surface on which the appliance is placed should be clean and level.

The washing machine must be able to hold the weight of the dryer (see DESCRIPTION OF THE DRYER/ Technical information).



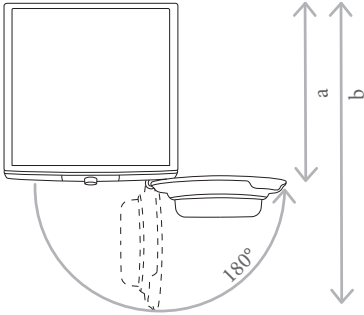
* depending on the model



INFORMATION!

At least two people are required to install the tumble dryer on top of a washing machine.

Opening the dryer door (overhead view)



See DESCRIPTION OF THE DRYER/
Technical information.

a = 24½" (625 mm)
b = 44½" (1134 mm)



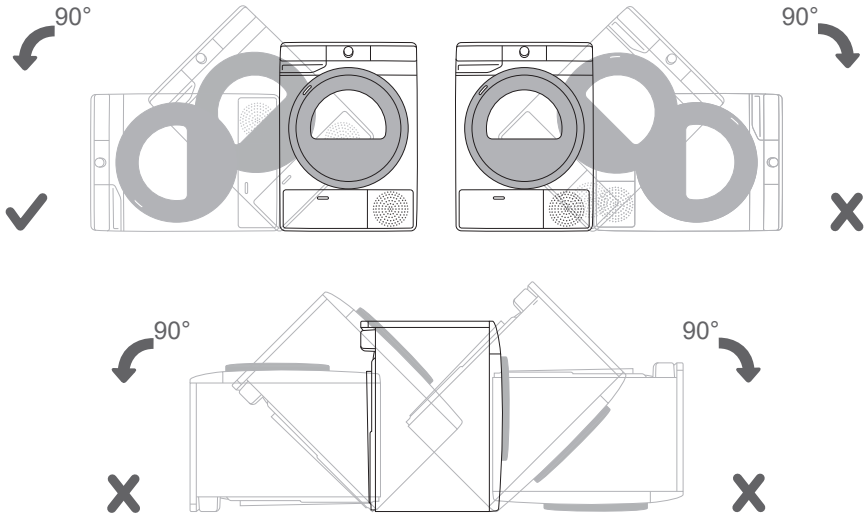
WARNING!

Do not place the dryer behind lockable or sliding door, or door with a hinge on the opposite side of the dryer door hinge. Install the dryer in such way that the door can always be freely opened.



WARNING!

Do not place the dryer on a carpet with long fibers as this may impede air circulation.



INFORMATION!

After installation, wait for 24 hours without moving the appliance before using it for the first time. If the dryer has to be laid down on one of the sides during transport or servicing, place it with its left side, viewing from the appliance front, downwards.

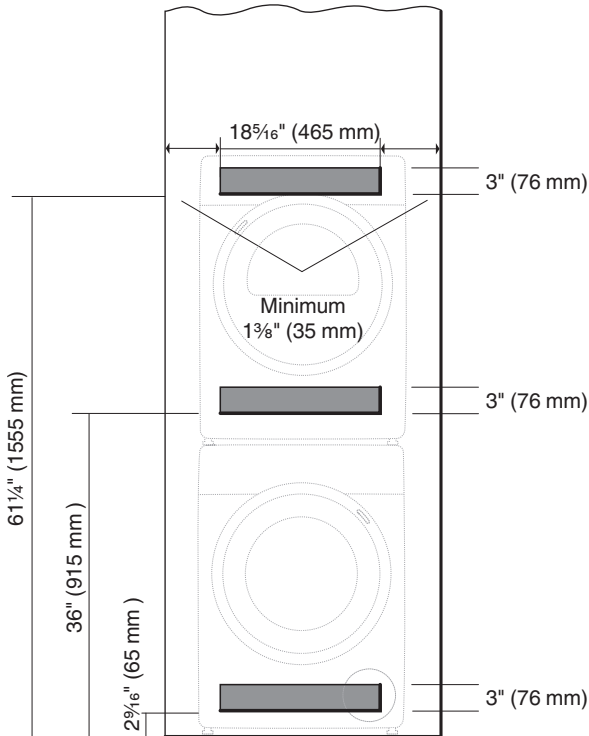
Closet Install- Ventilation Requirements

The front panel controls make it possible to install the washers and dryers in a closet.

Make sure there is a 1" (25 mm) minimum clearance between units and cabinet or wall and a 1" (25 mm) minimum clearance between the rear edge of the machine top panel and the cabinet or wall.

To ensure proper ventilation, we recommend louvered doors. Otherwise there must be ventilation openings in the door.

See illustration for minimum ventilation openings below (gray boxes):



INFORMATION!

Ensure that the washing machine door can be opened fully and without obstruction after installation.



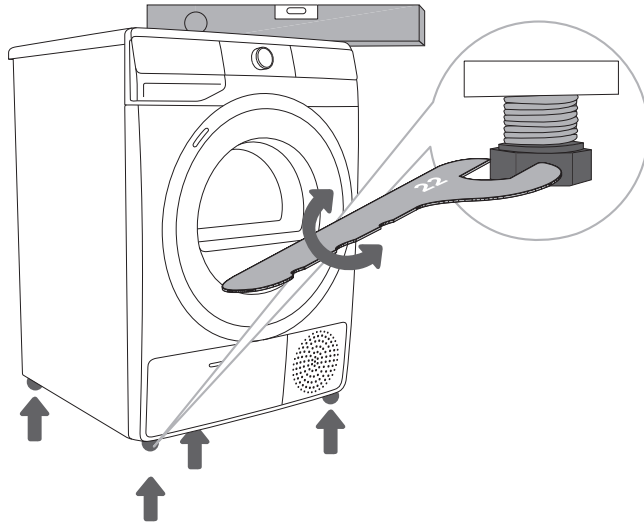
INFORMATION!

The cool air intake panel at the front of the washing machine must not be blocked or covered. Doing so could cause an error.

Adjusting the dryer feet

Level the dryer both front-to-back and side-to-side by adjusting the feet, which allow for height adjustment of $\pm\frac{1}{2}$ " (± 1 cm).

Use a spirit level to check alignment and a spanner No. 22 to make the adjustments.



INFORMATION!

The dryer must be placed on a floor with a concrete base. It should be clean and dry; otherwise, the dryer may slide. Ensure the bottom of adjustable feet are clean and dry.



INFORMATION!

The dryer must stand level and stable on a solid base.



INFORMATION!

Incorrect leveling of the dryer with the adjustable legs may cause vibration, appliance sliding across the room, and loud operation. Incorrect leveling of the dryer shall not be subject to warranty.



INFORMATION!

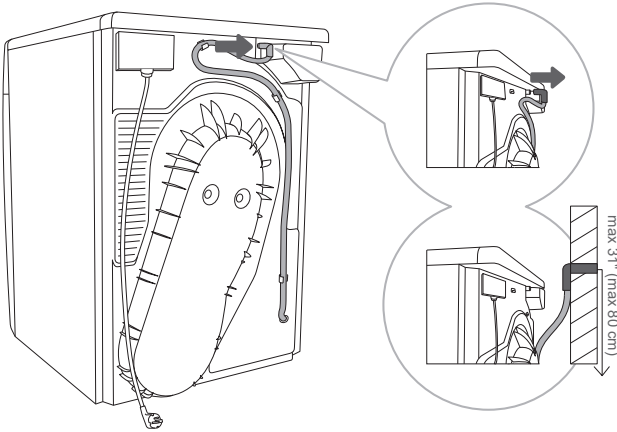
Unusual or louder noises may occur during appliance operation. These sounds are usually caused by improper installation.

Draining the condensate

Moisture removed from the laundry collects in the condensate tank.

During drying, the indicator light on the display will turn on when the tank is full and needs to be emptied.

To avoid emptying the tank manually, you can connect the condensate drain hose at the back of the dryer directly to a drain.



1 Release the hose from the holder on the back wall of the dryer (left hand side, below the top cover).

2 Run the hose into a drain at a height of no more than 31" (80 cm) from the floor.



INFORMATION!

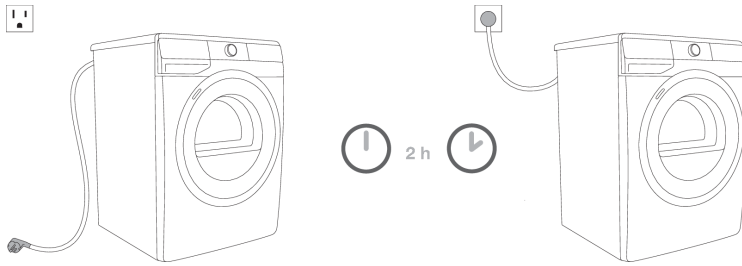
If you decide to run the condensate drain hose into a drain, make sure the hose is securely fastened. This will prevent any water spillage which could result in unexpected damage.



WARNING!

Always use the hoses supplied with the dryer.

Connecting to the power mains



ELECTRIC SHOCK!

After installation, the dryer should stand still for two hours before it is connected to the power mains; this allows the dryer to stabilize.

This appliance must be grounded. In the event of malfunction or breakdown, grounding will reduce the risk of electric shock by providing a path of least resistance for electric current. This appliance is equipped with a cord having an equipment grounding conductor and a grounding plug. The plug must be plugged into an appropriate outlet that is properly installed and grounded in accordance with all local codes and ordinances.

Do not modify the plug provided with the appliance if it does not fit the outlet, have a proper outlet installed by a qualified electrician.

Connect the dryer to a grounded power outlet. After installation, the wall outlet should be freely accessible. The outlet must be properly grounded in accordance with applicable electrical regulations.

Information on your dryer is indicated on the rating plate (see DESCRIPTION OF THE DRYER/Technical information).



ELECTRIC SHOCK!

We recommend using over-voltage protection to protect the appliance in case of a lightning strike.



WARNING!

The dryer should not be connected to the power mains using an extension cord.



INFORMATION!

Any repair and maintenance pertaining to safety or performance should be done by trained experts.



INFORMATION!

A damaged power cord should only be replaced by an authorized personnel.

Electrical installation



ELECTRIC SHOCK!

The receptacle on the rear of the machine is designed to accommodate washers rated **208–240 V**. To use this receptacle, you must use the ready-fitted plug supplied with the washing machine or an equivalent. Washers rated **208–240 V** have two internal fuses of **15 A** each. The machine should only be connected to a grounded wall socket.



ELECTRIC SHOCK!

This appliance must be properly grounded. Refer to the Important Safety Instructions for grounding instructions. The power supply cord must be grounded. If the machine is to be used in a wet area, the supply must be protected by a residual current device. Connection to a permanently wired supply point must be made only by a qualified electrician.

As supplied: **208–240 V, 60 Hz** heater rating **30 A** circuit required.



INFORMATION!

Do not connect the machine to the mains electricity supply by an extension lead.

Electrical Connections

INFORMATION!

Read the Electrical requirements and grounding instructions before connecting the tumble dryer.

Electric models of the dryer are manufactured for a 3-wire connection system. The dryer frame is grounded by a link to the neutral conductor on the dryer terminal block. If local codes do not permit grounding through the neutral, the grounding link from the terminal block must be removed and a separate ground wire must be used.

Only a 4-conductor cord shall be used when the appliance is installed in a location where grounding through the neutral conductor is prohibited. Grounding through the neutral conductor is prohibited for new branch-circuit installations, mobile homes, recreational vehicles, and areas where local codes prohibit grounding through the neutral conductors. The grounding link on the dryer must be removed for all 4-wire installations.

These Electrical Connection instructions provide for installing the dryer in the following situations:

3-wire connections where local codes permit grounding through the neutral, 3-wire connections with a separate grounding connector where local codes do not permit grounding through the neutral, and 4-wire connections.

Each of the above connections can be made with an approved power supply cord or by direct wiring. Each connection instruction identifies the appropriate Power Supply Cord and covers requirements for direct wiring.

INFORMATION!

The dryer is equipped with a four-prong plug intended for connection to a single-phase supply.

Moving and transport after installation

After every drying cycle, a small amount of condensed water will remain in the dryer. Switch on the dryer and choose one of the programs, then let the appliance operate for approximately half a minute. This will pump out the remaining water and prevent damage to the dryer during transport.

ELECTRIC SHOCK!

After transport, the dryer should be left to stand still for at least two hours before it is connected to the power mains. The appliance should be installed and connected by a trained technician.

INFORMATION!

If the appliance was not transported in compliance with the instructions, the dryer should be left to stand still at least 2 hours before it is reconnected to the power mains.

Failure to do so may result in a heat pump failure which shall not be covered by the warranty.

Be careful not to damage the cooling system (see INSTALLATION AND CONNECTION/Dryer placement).

ELECTRIC SHOCK!

Carefully read the operating instructions before connecting the dryer. Any repair or warranty claim resulting from improper installation or misuse of the dryer is not covered under the warranty.

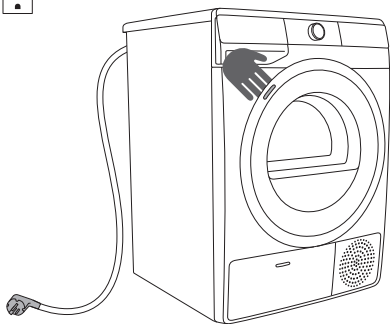
INFORMATION!

The belt may only be replaced by a service technician.

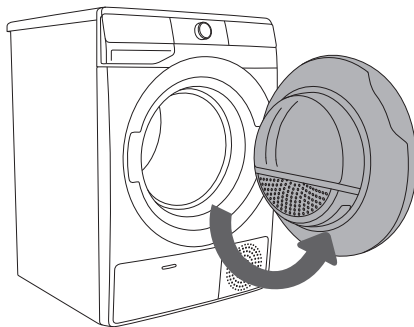
BEFORE USING THE APPLIANCE FOR THE FIRST TIME

Make sure the dryer is disconnected from the power mains; then, open the door by pulling the left side of the door towards you (figures 1 and 2).

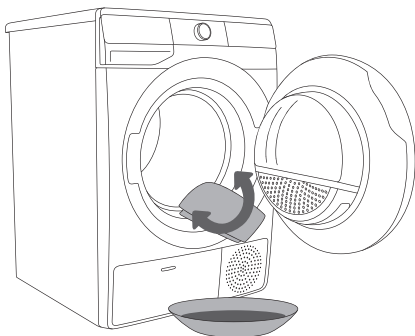
Before using the dryer for the first time, clean the dryer drum using a soft damp cotton cloth and water (figure 3).



1



2



3
























WARNING!

Do not use any solvents or cleaning agents that could damage the dryer (follow the recommendations and warnings provided by the of the cleaning agent manufacturer).

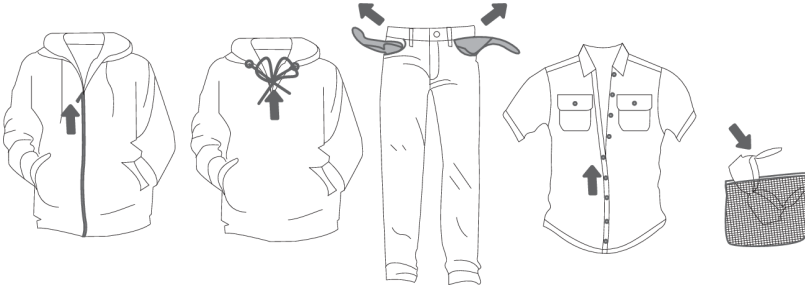
DRYING PROCESS, STEP BY STEP (1 - 6)

Step1 : Heed the labels on the laundry

Cotton Normal wash				
Sensitive laundry				
	Max. washing temperature HOT+ (EXTRA HOT)		Max. washing temperature WARM	 Do not wash
	Max. washing temperature HOT		Hand wash only	
Bleaching				
	Bleaching in cool water		Bleaching not allowed	
Dry cleaning				
	Dry cleaning with all agents		Petroleum solvent R11, R113	
	Dry cleaning in kerosene, pure alcohol, and in R113		Dry cleaning not allowed	
Ironing				
	HIGH-Temperature Ironing		LOW-Temperature Ironing	
	MEDIUM-Temperature Ironing		Ironing not allowed	
Drying				
	Dry flat (place on a flat surface)		High temperature	
	Drip dry		Low temperature	
	Line dry		Do not tumble dry	

Step 2: Preparing for the laundry drying process

1. Sort the laundry by type and thickness of the fabric (see PROGRAM TABLE).
2. Close the buttons and zips, tie any ribbons, and turn the pockets inside out.
3. Place delicate clothes in a special-purpose laundry bag.



Drying laundry made of particularly delicate fabrics that may be deformed is not recommended. The following types of laundry may not be dried in the dryer as this may cause your garments to deform:

- leather garments and other leather products
- garments that are waxed or treated in any other way
- garments with major wooden, plastic, or metal parts
- garments with spangles
- garments with metal parts subject to rusting

Switching on the dryer

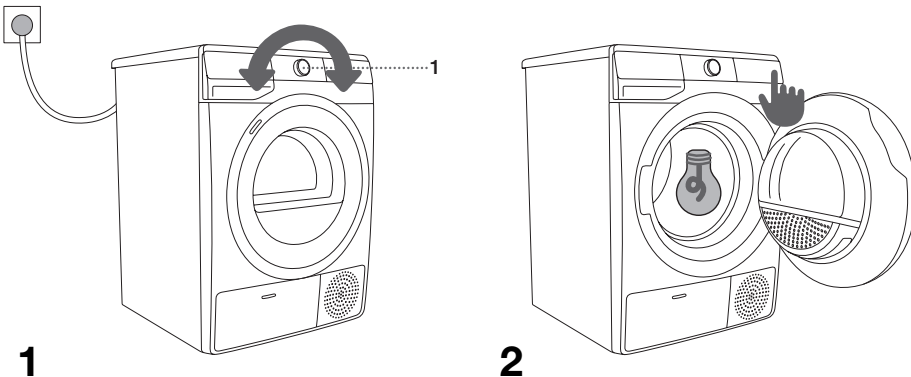
Connect the dryer to the power mains by plugging in the power cord.

To turn on the dryer, rotate the program selector knob to any position (figure 1).

With some models, the dryer drum is also equipped with a light (see figure 2). This light is intended only for illuminating the drum and is not suitable for any other use.

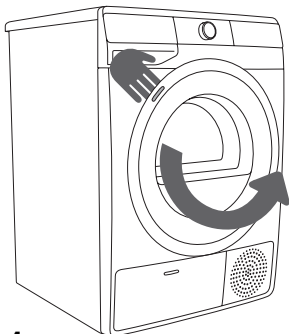
INFORMATION!

The light in the dryer drum may only be replaced by a service technician.

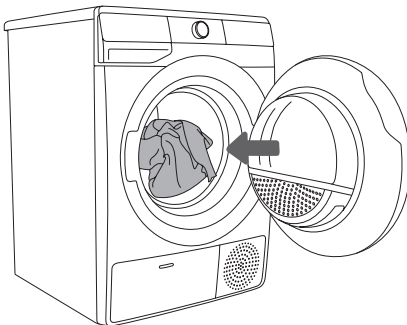


Loading the dryer

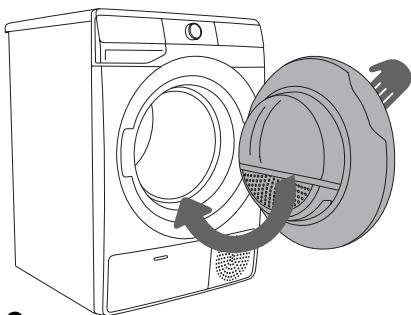
1. Open the dryer door by pulling the left side of the door towards you (figure 1).
2. Insert the laundry into the drum (after making sure the drum is empty) (figure 2).
3. Close the dryer door (figure 3).



1



2



3



INFORMATION!

Do not insert laundry into the dryer if it has not been wrung or spun (recommended minimum spinning cycle: 800 rpm).

Do not overload the drum. Refer to the PROGRAM TABLE and follow the nominal load indicated on the rating plate.

Overloading the drum can cause excessive wrinkling and uneven drying.



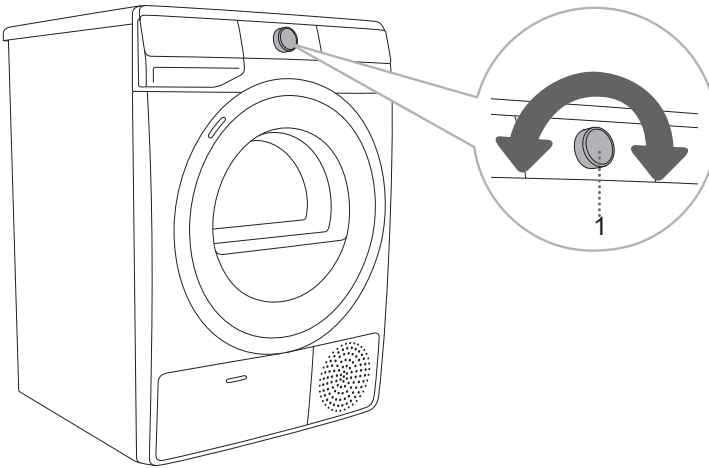
INFORMATION!

When drying larger items (bedding, towels, tablecloths etc.), loosen them and then insert them into the dryer drum.

Step 3: Choosing the drying program

Choose the **program** by rotating the program selector knob to the left or to the right (depending on the type of laundry and the desired level of dryness). See PROGRAM TABLE.

The signal light next to the selected program lights up.



INFORMATION!

The program selector knob will not rotate automatically during operation.

Program table

Program Dryness levels	Max. load	Program description
Extra Dry	Full load	Use this program for thicker non-sensitive cotton laundry. After drying, it will be dry and ready to be stored.
Normal	Full load	Use this program for thicker non-sensitive cotton laundry of approximately the same thickness. <i>The program is intended for drying wet cotton laundry. It is the most energy-efficient program for drying cotton laundry. The energy usage data is determined using the program cycle setting and medium dryness setting per CAN/CSA-C361-16 Standard and DOE test procedure methods specified at 10 CFR 430, Subpart B, Appendix D2.</i>
Damp Iron (Moist for ironing)	Full load	Use this program for non-sensitive cotton laundry. After drying, it will be ready for ironing.
Mixed Fabrics	1/2 load	Use this program for non-sensitive cotton laundry. After drying, it will be ready for ironing. ECO DRY drying at a lower temperature that is friendlier to your laundry.
Mixed Damp Iron	1/2 load	The program is used for drying delicate laundry made of synthetic fibers.
Wool	1/4 load	The program is intended for drying wool clothing according to the manufacturer's instructions specified on the label.
Down Wear	1/4 load	Use this program to dry textiles stuffed or padded with down (pillows, duvets, jackets etc.). Dry large items separately and use the EXTRA DRY function if necessary.
Time (Timed drying program)	1/2 load	This program is designed for non-sensitive laundry that is slightly damp and requires thorough drying. The dryer does not automatically detect remaining moisture in this mode, so if the load is still damp after the cycle, it should be repeated. Conversely, if the laundry becomes overly dry, wrinkled, or stiff, the selected drying time was too long.
Baby (Baby clothes)	1/2 load	Use this program to dry baby clothes. Clothes dried with this program dry normally. ECO DRY drying at a lower temperature that is friendlier to your laundry.
Delicates	1/4 load	Use this program to dry highly delicate laundry made of synthetic fibers, which may be slightly moist after the drying process. We recommend using a special-purpose laundry bag. ECO DRY drying at a lower temperature that is friendlier to your laundry.
Shirts - Perm. Press	1/4 load	Use this program to dry shirts and blouses. Adjusted drum rotation prevents the laundry from creasing. ECO DRY drying at a lower temperature that is friendlier to your laundry.
Active Wear (Sportswear)	1/4 load	This program is designed for clothing with membranes, sportswear made of mixed materials, and breathable fabrics. ECO DRY drying at a lower temperature that is friendlier to your laundry.

Program Dryness levels	Max. load	Program description
Quick Dry	1/2 load	The program is suitable for smaller amounts of laundry that you wish to dry quickly and efficiently.
Allergy Care	1/2 load	Longer drying program duration and overheating of the fabric results in higher drying temperature above 140°F (60°C), which reduces the amount of microbes and allergens on the garments. This drying program should not be used for delicate items and items that are not suitable for machine drying.
Air Refresh	1/4 load	In this program, the heater is switched off. The program is suitable for refreshing your laundry.

If your laundry is not dried to the desired dryness level, use extra functions or use a more suitable program.

Step 4: Selecting extra functions

INFORMATION!

Activate/deactivate the function by pressing the desired position (before pressing **START/PAUSE**).

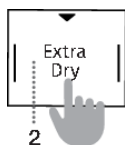
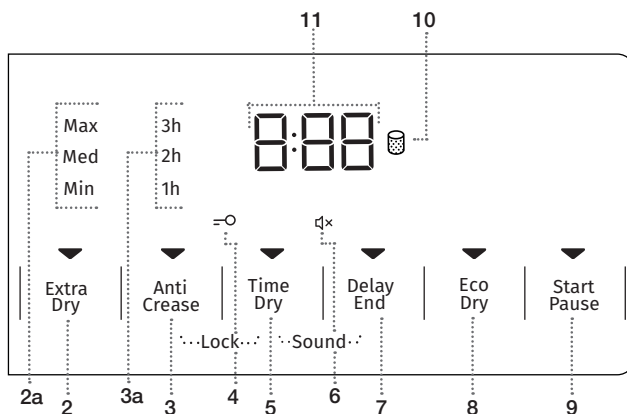
Adjust the settings by pressing the relevant function button (before pressing **START/PAUSE**).

Functions that can be changed or adjusted with the selected drying program are partly lit (dimmed).

Certain settings cannot be selected with some programs. Such settings will not be lit, and the button will flash when pressed (see FUNCTION TABLE).

Description of lighting of functions for the selected drying program:

- **Lit** (Basic/preset setting)
- **Dimmed** (Functions that can be adjusted)
- **Unlit** (Functions that cannot be selected)

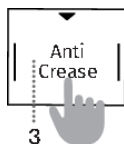


EXTRA DRY (DRYNESS LEVEL)

Press **EXTRA DRY** to increase the dryness level and drying time. This can be adjusted before starting the drying cycle.

If the same program and settings are used three times in a row, the **ADAPTECH** function will automatically store them.

Three levels are available: **MAX**, **MED**, and **MIN**. The light for the selected level will turn on.

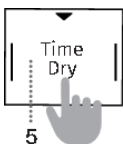


ANTI CREASE (CREASE PREVENTION)

If you cannot remove the laundry immediately after the drying cycle ends, select the **ANTI CREASE** function before starting the program.

Press **ANTI CREASE** to choose between 1h, 2h, or 3h, or to deactivate the function.

The function turns off automatically when you open the dryer door or press **START/PAUSE** after the program ends.

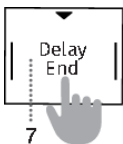


TIME DRY (TIMED DRYING)

In the time program, press **TIME DRY** to set the desired drying time. The selected function light will turn on.

The initial time is **0:30**, and each press increases the drying time by 15 minutes, up to a maximum of **4 hours**.

To reset the drying time, press and hold **TIME DRY** for 3 seconds.



DELAY END (DELAYING THE END OF THE DRYING PROGRAM)

(depending on the model)

Press and hold **DELAY END** to set the drying program to finish in up to 24 hours.

If you press any button (except **DELAY END** or **START/PAUSE**) while setting this function, **DELAY END** will reset.

Set all other desired functions before activating **DELAY END**.

Settings procedure:

1. Select the desired program and extra functions.
2. Press or hold **DELAY END** to set the desired end delay:
 - 30-minute increments up to 6 hours
 - 1-hour increments from 6 to 24 hours
3. Press **START/PAUSE** to confirm.

After setting **DELAY END**, the dryer will count down the delay time. When the countdown reaches the program start time (e.g. 2:30), the drying cycle will start automatically.

To stop or change the delay, turn the program selector knob to **OFF** for at least 1 second.

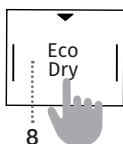
The next time the dryer is used, you can set a new drying completion delay.

To cancel:

Press and hold **DELAY END** for 3 seconds to cancel the program completion delay. The drying program will resume immediately.

Example:

If it is currently 9:00 PM and you want the drying program to finish by 6:00 AM, set **DELAY END** to 9 hours.



ECO DRY (LOWER TEMPERATURE)

Press **ECO DRY** to dry laundry at a lower temperature, which is gentler on fabrics and helps reduce shrinkage.

This function uses precise heat pump control and an additional temperature sensor to lower the drying temperature. Garments may experience up to 50% less shrinkage compared to normal drying, depending on fabric type.

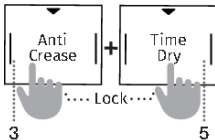
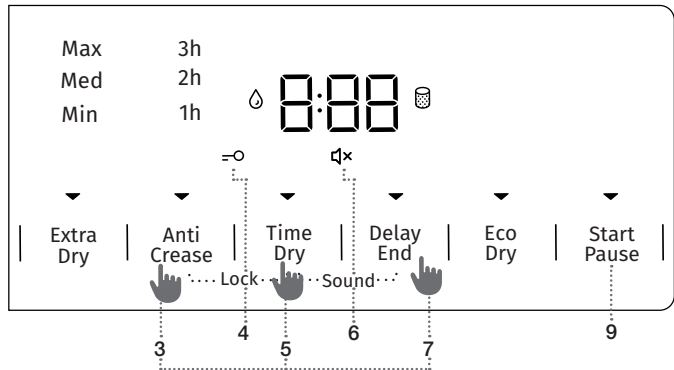
Use this setting only for items that are suitable for tumble drying.

💡 INFORMATION!

Some functions may not be available with certain programs.

If a function cannot be selected, an acoustic signal will sound and the corresponding indicator light will flash. (See EXTRA FUNCTION TABLE for details.)

Two button combination settings

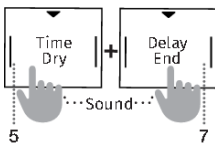


LOCK (CHILD LOCK) —○

The Child Lock is an additional safety feature that prevents accidental changes to the program, settings, or additional functions.

To activate or deactivate the child lock:

1. Press and hold **ANTI CREASE** and **TIME DRY** for at least 3 seconds.
2. Follow the same procedure to deactivate.
 - While the Child Lock is active, programs, settings, and additional functions cannot be changed.
 - The Child Lock remains active even after the dryer is switched off.
 - To select a new program, the Child Lock must be deactivated first.
 - It can be deactivated during the drying process.



SOUND (SOUND OFF) ㄱx

This function allows you to mute all operation sounds.

1. Press and hold **TIME DRY** and **DELAY END** for at least 3 seconds.
2. To reactivate follow the same procedure.

Note: When the sound is turned off, there will be no audible signal at the end of the drying program.

💡 **INFORMATION!**

After disconnecting the dryer from the power mains, all settings will be reset to their default factory values, except for the acoustic signal loudness, anti-crease, and child lock setting.

💡 **INFORMATION!**

The **LOCK (CHILD LOCK)** and **SOUND (SOUND OFF)** functions cannot be activated or deactivated 10 seconds after turning on.

Extra function table

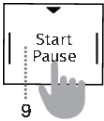
Program	EXTRA DRY (DRYNESS LEVEL)	ANTI CREASE (CREASE PREVENTION)	TIME DRY (TIMED DRYING)	DELAY END (DELAYING THE END OF THE DRYING PROGRAM)	ECO DRY (LOWER TEMPERATURE)
Extra Dry (Cupboard dry)	•	•		•	
Normal	•	•		•	
Damp Iron (Moist for ironing)	•	•		•	
Mixed Fabrics	•	•		•	•
Mixed Damp Iron	•	•		•	
Wool					
Down Wear	•	•		•	
Time (Timed drying program)		•	•		
Baby (Baby clothes)	•	•		•	•
Delicates	•	•		•	•
Shirts - Perm. Press	•	•		•	•
Active Wear (Sportswear)	•	•		•	•
Quick Dry		•		•	
Allergy Care	•	•			
Air Refresh					

- Extra functions can be used

If your laundry is not dried to the desired dryness level, use extra functions or use a more suitable program.

Step 5: Starting the drying program

Press **START/PAUSE**.



The time remaining until program completion or **DELAY END** time (if set) will appear on the display. Indicators for the selected functions will illuminate.

If the door is not closed properly, the time remaining will flash three times on the display and there will be an audible signal.

To resume the drying program, close the door properly then press **START/PAUSE**.

Step 6: End of the drying program

When the drying program is complete, [End] will appear on the display.

Two red indicator lights will illuminate, the **START/PAUSE** button light will flash, and if the **ANTI CREASE** function was selected, its indicator light will also flash.

1. Open the dryer door.
2. Clean the filter (see **CLEANING**).
3. Remove the laundry from the drum.
4. Close the door.
5. Switch the dryer to the **OFF** position with the selector knob.
6. Unplug the power cord from the outlet.



INFORMATION!

Remove the laundry from the dryer to prevent it from creasing at the end of the drying program.



WARNING!

The final drying cycle includes a cooling stage without heater operation. This ensures the laundry reaches a safe temperature at the end of the program and can be removed from the dryer without the risk of hot surfaces.

INTERRUPTIONS AND CHANGING THE PROGRAM

Interruptions

Interrupting the program process

Press **START/PAUSE** to pause or resume a program.

To stop the drying program, press and hold **START/PAUSE** for 3 seconds. The selected program will stop, and the dryer will start to cool down. Cooling down time depends on the selected program. After this process, a drying program can be selected again.

Open door

If the dryer door is opened during the drying process, the drying cycle will be interrupted.

When the door is closed and the **START/PAUSE** button is pressed, the drying will resume from the point at which it was interrupted.



HOT SURFACE!

The dryer door will heat up during the drying process. Use caution when opening the dryer door to avoid burns.

Power supply failure

After a power failure [PF] will appear on the display and the signal light on the **START/PAUSE** button will flash.

Press **START/PAUSE** to resume the drying process.

Changing the program/functions

Turn off the dryer by rotating the program selector knob to the **OFF** position. Turn it back on again by rotating the program selector knob to any program.

Select another program/function and press **START/PAUSE** again.

Adding laundry after the start of the program

Open the dryer door and press **START/PAUSE** button. Insert the laundry and press **START/PAUSE**. Drying time may be extended.



HOT SURFACE!

Be careful not to burn yourself when opening the dryer door to load or remove laundry.

Saving personal settings

Initial settings can be changed.

1. Select the desired program and additional functions.
2. Press and hold **START/PAUSE** for 9 seconds to save the combination.
 - A light on the **START/PAUSE** button and an acoustic signal will confirm the selection and [saved] will briefly appear on the display.
3. Press **START/PAUSE** to begin the drying process.

The saved combination will appear each time the dryer is switched on.

To change a previously saved combination, repeat the same procedure.

AdaptTech

When a drying program setting is used three times in a row, this setting is stored as default and will always be suggested when you select that drying program – this is called the **ADAPTTECH** function. If you manually store the settings of a drying program, the **ADAPTTECH** function on this program is deactivated.

Personal settings menu

1. Turn on the dryer by rotating the program selector knob to any position.
2. Press and hold **EXTRA DRY** and **TIME DRY** for 3 seconds to open the Personal Settings Menu.
 - **ANTI CREASE** and **CLEAN THE FILTER** indicators will light up.
 - Number 1 will appear on the display, indicating the first settings function.
3. Rotate the program selector knob left or right to choose the function:
 - 1 – Sound settings
 - 2 – Reset personal program settings to factory defaults
4. Press **ANTI CREASE** to confirm the selected function and settings.
5. Press **EXTRA DRY** to go back one step.

Acoustic Signal Volume

Volume can be set at four levels:

- 0 – Sound off
- 1 – Button sound only
- 2 – Low volume
- 3 – High volume

Rotate the program selector knob to select the desired volume.

If no selection is made within 20 seconds, the menu will automatically return to the main menu.

Overview of the number of drying cycles performed

The number of drying cycles performed will appear on the display for 3 seconds if you unplug the power cord, wait 10 seconds and then plug the power cord back in. After 3 seconds, the appliance enters standby mode.

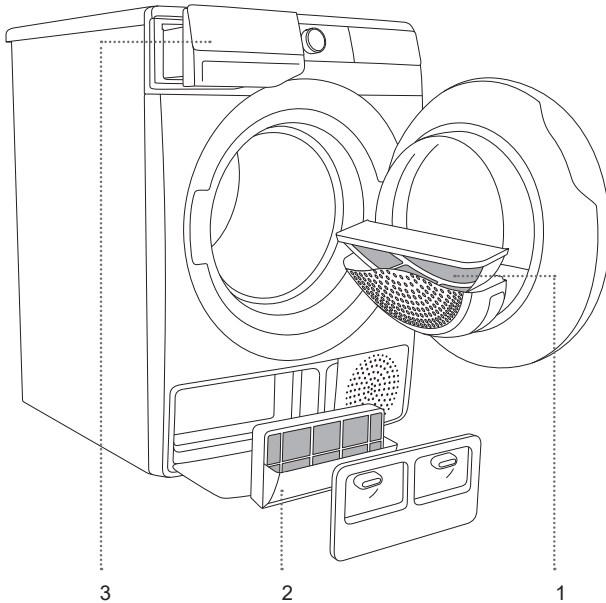
CLEANING AND MAINTENANCE



ELECTRIC SHOCK!

Before cleaning, make sure to switch off the dryer and disconnect it from the power mains (unplug the power cord from the outlet).

The dryer is fitted with a **filtering system** consisting of several filters that prevent any impurities from entering the heat exchanger system.



- 1** Net filter
- 2** Heat pump filter
- 3** Condensate tank



INFORMATION!

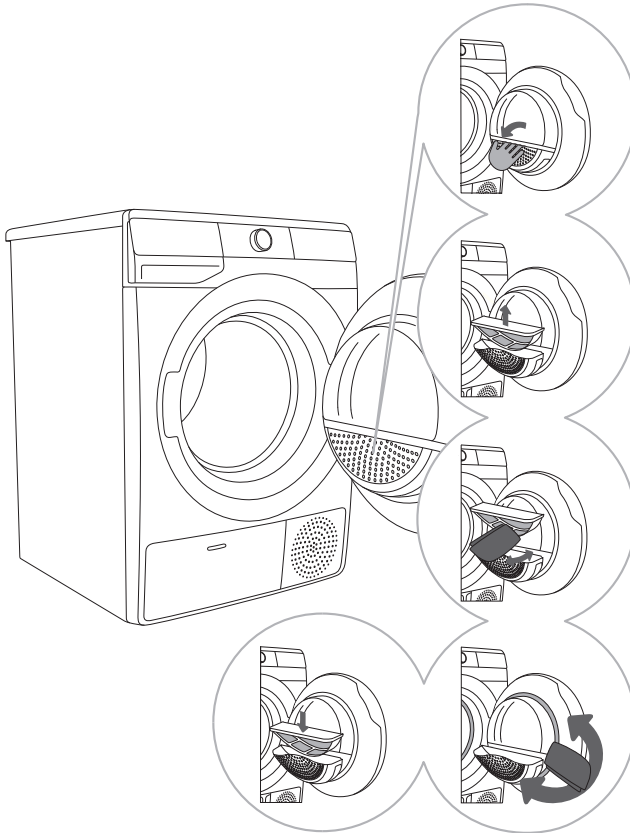
Never operate the dryer without the filter in place or with a damaged filter. Excess lint buildup can cause the dryer to malfunction or fail.

Cleaning the net filter in the door



INFORMATION!

Clean the net filter after each drying cycle.



1 Open the filter housing.

2 Pull out the net filter.

3 Gently scrape the filter to remove the lint, i.e. the lining of fibres and threads, with your hand or with a cloth.

4 If necessary, clean the filter housing and door gasket as well.

5 Insert the net filter and close the filter housing.



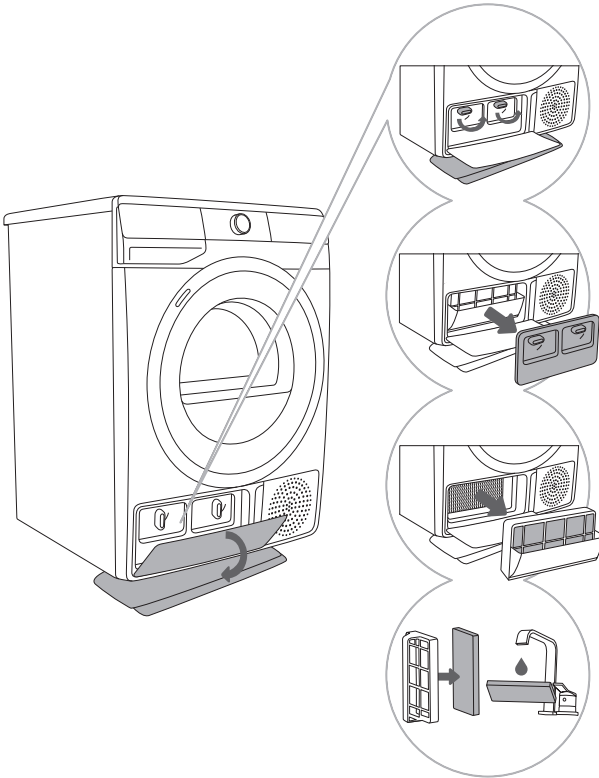
INFORMATION!

Use care when handling the filter cover to avoid pinching your fingers.

Cleaning the heat pump filter

INFORMATION!

During cleaning, some water may spill, so it is recommended to place an absorbent cloth on the floor.



1 Open the outer cover.

Hold the levers on the inside cover and rotate them upwards. Remove the inside cover.

2 Use the handle to pull out the heat pump filter.

3 Push the foam part of the filter from the housing. Use a damp cloth to clean the heat pump filter housing.

4 Wash the foam filter under running water and dry it before replacing it in the filter housing.

INFORMATION!

Insert the heat pump foam filter into the housing and close the outer cover (push it upwards toward the machine until it latches into place).

INFORMATION!

The heat pump filter has to be correctly inserted into its slot. Otherwise, the heat exchanger installed inside the dryer may be clogged or damaged.

INFORMATION!

Clean the foam filter after at least five drying cycles.

Cleaning of the heat exchanger

⚠ WARNING!

Do not touch the inner metal parts of the heat exchanger with bare hands. Danger of injury on sharp parts. Use appropriate protection gloves when cleaning the heat exchanger.

⚠ WARNING!

Incorrect cleaning of the metal fins of the heat exchanger can permanently damage the tumble dryer. Do not press on the metal fins with hard objects like for example the plastic tube of a vacuum cleaner.

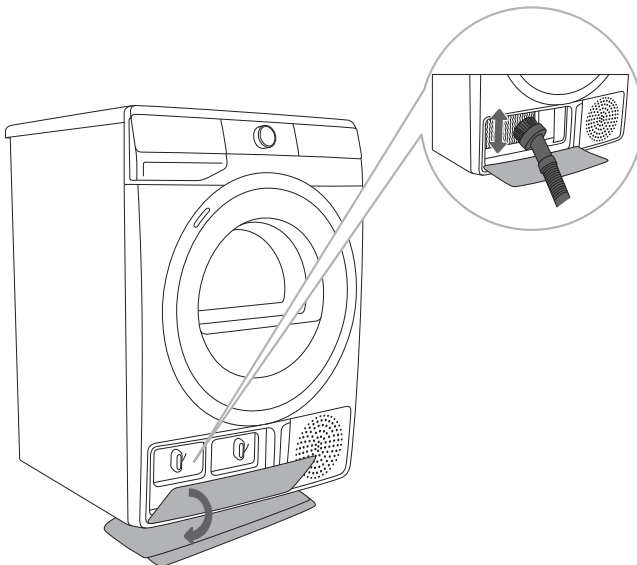
The dust and dirt in the metal fins of the heat exchanger can be cleaned with a vacuum cleaner and a soft brush attachment.

It is possible to access the heat exchanger when the heat pump filter is removed. (see "cleaning of heat pump filter").

Gently move the brush attachment in the direction of the metal fins—from top to bottom—without applying pressure. Excess force can bend or damage the heat exchanger fins.

💡 INFORMATION!

We recommend you clean the heat exchanger at least every twelve months.



Emptying the condensate tank

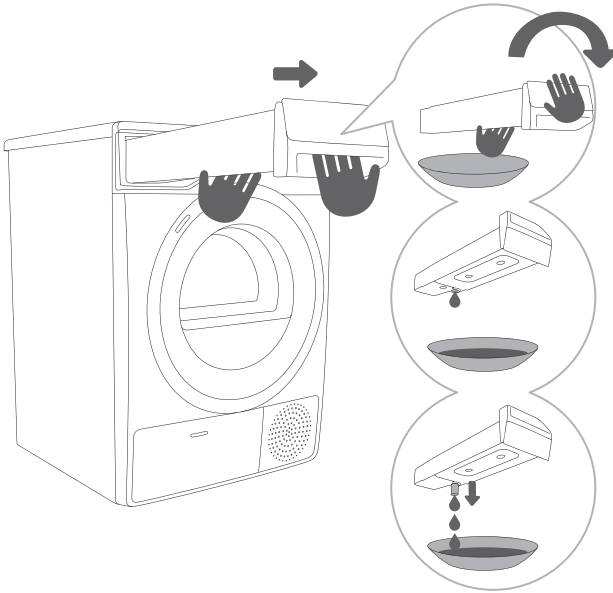


INFORMATION!

Empty the condensate tank after each drying cycle.

If the condensate tank is full, the program will pause automatically.

The  symbol will light up on the display unit, indicating that the condensate tank should be emptied.



1 Pull out the condensate tank from the dryer (using both hands as shown in the figure), then turn it upside down over a washbasin, sink, or any suitable vessel.

2,3 Empty the condensate tank. Pull out the spout at the opening for easier emptying. Replace the condensate tank.



INFORMATION!

Water from the condensate tank is not potable. It can be used for ironing if thoroughly filtered.



WARNING!

Never add chemicals or fragrances into the condensate tank.

It is not necessary to empty the condensate tank if the drain hose is connected directly to a drain. (see INSTALLATION AND CONNECTION/Draining the condensate).

Cleaning the dryer



ELECTRIC SHOCK!

Always disconnect the dryer from the power mains before cleaning.

Clean the dryer exterior using a soft damp cotton cloth.



WARNING!

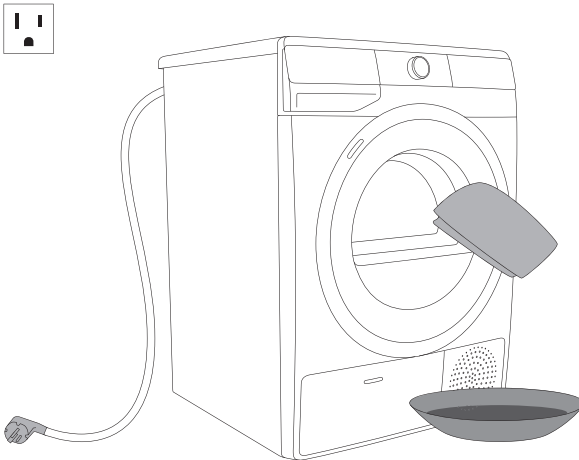
Do not use any solvents or cleaning agents that could damage the dryer (follow the recommendations and warnings provided by the manufacturers of the cleaning agents).

Wipe all parts of the dryer with a soft cloth until dry.



INFORMATION!

Do not clean the dryer with a jet of water!



TIPS FOR DRYING AND ECONOMIC USE YOUR DRYER

The most economical way of drying is to dry the recommended amount of laundry in each batch (see PROGRAM TABLE).

Drying laundry made of particularly delicate fabrics that may be deformed is not recommended.

Use of conditioner in the washing cycle is not necessary as the laundry is soft and smooth after drying in the dryer. Drying time will be shorter and power consumption will be lower if the garments are thoroughly wrung or spun before drying. By selecting the appropriate drying program, you will avoid over-drying your laundry and problems with ironing or shrinkage of fabric.

Regular cleaning of the filters will lead to optimum drying time and minimum power consumption.

When drying smaller amounts of laundry or individual garments, the sensor may not perceive the actual level of moisture in the laundry. In such cases, it is recommended to dry smaller items or amounts with programs for dryer laundry or with the timed program.

Low standby mode

If you do not run any program or choose any settings after switching on the dryer (program selector knob), the display unit will be switched off after 5 minutes and switched to stand-by mode in order to save energy.

The display unit can be reactivated by rotating the program selector knob. If you do not do anything for 5 minutes after the end of a program, the display unit will be switched off to save power.

P_o = weighted power when off [W]	< 0,5
P_I = weighted power when in standby [W]	< 0,5
T_I = standby time [min]	5,00



INFORMATION!

Low mains voltage and different drying loads may affect the drying time; the remaining time displayed is adjusted accordingly during the drying process.

TROUBLESHOOTING

Disturbances from the environment (e.g. the power grid) may result in various error reports (see TROUBLESHOOTING TABLE). In such case:

- Switch off the dryer and wait at least one minute.
- Switch on the dryer and repeat the drying program.
- Most errors during operation can be resolved by the user (see TROUBLESHOOTING TABLE).
- If the error persists, call an authorized service personnel.
- Repairs may only be carried out by an adequately trained person.
- Repair or any warranty claim resulting from incorrect connection or use of the dryer shall not be covered by the warranty. In such cases, the costs of repair shall be charged to the user.





Problem/Error	Cause	What to do?
The machine will not start.	<ul style="list-style-type: none"> • The main switch is not switched on. 	<ul style="list-style-type: none"> • Check whether the main switch is on.
	<ul style="list-style-type: none"> • There is no voltage in the power outlet. 	<ul style="list-style-type: none"> • Check the fuse. • Check if the power cord plug is correctly inserted into the power outlet.
There is voltage in the outlet, but the drum does not spin and the appliance does not work.	<ul style="list-style-type: none"> • Open the door. 	<ul style="list-style-type: none"> • Check if the door is closed properly.
	<ul style="list-style-type: none"> • The condensate tank is full. 	<ul style="list-style-type: none"> • Empty the condensate tank (see CLEANING AND MAINTENANCE/ Emptying the condensate tank).
	<ul style="list-style-type: none"> • Perhaps the DELAY END function was set. • Program was not started in accordance with the instructions. 	<ul style="list-style-type: none"> • To deactivate the start delay option, press and hold DELAY END for 3 seconds. • Re-read the instructions for use again.
The appliance stops heating completely during a program.	<ul style="list-style-type: none"> • The net filter may be clogged. As a result, the temperature in the dryer rises, which in turn causes overheating, and therefore heating is switched off. 	<ul style="list-style-type: none"> • Clean the net filter (see CLEANING AND MAINTENANCE/Cleaning the net filter in the door). • Wait for the appliance to cool down, and try running it again. If the dryer still fails to start, call a service technician.
A slight hitting noise appears.	<ul style="list-style-type: none"> • If the dryer is out of use for a long period of time, the support elements are under stress at the same point. 	<ul style="list-style-type: none"> • The noise will subside without any intervention.
The door opens during drying.	<ul style="list-style-type: none"> • Excessive load on the door (too much laundry in the drum). 	<ul style="list-style-type: none"> • Reduce the amount of laundry.

Problem/Error	Cause	What to do?
Unevenly dried laundry.	<ul style="list-style-type: none"> Laundry of varying types and thickness, or excessive amount of laundry. 	<ul style="list-style-type: none"> Make sure you have sorted the laundry by type and thickness, whether you have added a suitable amount of laundry to the drum, and whether you have selected a suitable program (see PROGRAM TABLE).
Laundry not dried or drying takes too long.	<ul style="list-style-type: none"> Filters are not clean. 	<ul style="list-style-type: none"> Clean the filters (see CLEANING AND MAINTENANCE).
	<ul style="list-style-type: none"> Dryer is placed in a closed room; room that is too cold; or room that is too small and the air overheats as a result. 	<ul style="list-style-type: none"> Make sure there is adequate supply of fresh air to the dryer; for example, open the door and/or window. Check if the temperature in the room where the dryer is installed is too high or too low.
	<ul style="list-style-type: none"> Laundry was not sufficiently wrung or spun. 	<ul style="list-style-type: none"> If the laundry is still wet after the drying cycle, repeat the drying and select an appropriate drying program (after cleaning the filters).
	<ul style="list-style-type: none"> Amount of laundry dried in the appliance is too large or insufficient. 	<ul style="list-style-type: none"> Use a suitable program or extra functions.
	<ul style="list-style-type: none"> Laundry (such as bedding) gets tangled into large balls. 	<ul style="list-style-type: none"> Close the buttons or zippers on the laundry before drying. After the drying process, loosen the laundry and select an additional drying program (e.g. Time (Timed drying program)).
Drum lighting error	<ul style="list-style-type: none"> There is no lighting when the dryer door is opened. 	<ul style="list-style-type: none"> Disconnect the dryer from the power mains and call an authorized service personnel.

Errors indicated on the display unit may include the following:

Problem/Error	Indication on the display unit and description of error	What to do?
E:00	Control unit failure	Call customer service.
E:01	Temperature sensor failure	Call customer service.
E:02	Communication error	Call customer service.
E:03	Pump error	Call customer service.
E:04	System overheating	Clean the filters. See CLEANING AND MAINTENANCE /Cleaning the net filter in the door or call a service technician.
E:05	Control unit failure	Disconnect the tumble dryer from the power supply. Call service center.

Warnings indicated on the display unit may include the following:

Warning	Indication on the display unit and description of warning	What to do?
[Full]	Condensate tank warning	Empty the condensate tank before resuming the program (see CLEANING AND MAINTENANCE /Emptying the condensate tank).
[PF]	Power supply failure warning	Drying interrupted due to power supply failure. Press START/PAUSE to restart or resume the drying program.
 	<p>At the end of the drying program [End] will appear on the display unit.</p> <p>Two red symbols  and  will light up.</p> <p>This is not a fault; it is just a warning that the filters need to be cleaned after drying.</p>	Clean the filters and empty the condensate tank.

If you have checked the table above and find that you still need help with your appliance, call our Customer Service facility at **800-932-4267** (Ext. **513**) between 9:00 AM and 5:00 PM ET or visit **www.summitappliance.com/support**. We will do our best to answer your questions.

To order replacement parts, visit our website: **summitapplianceparts.com**

Sounds



INFORMATION!

During the initial drying stage or while drying, the compressor and heat pump may make noise, which does not affect dryer operation.

Humming: Produced by the compressor. Noise level varies depending on the program and drying stage.

Whirring: Occurs occasionally when the compressor is being ventilated.

Pumping: The pump is transferring condensate into the condensate tank.

Clicking: Caused by the automatic cleaning of the heat exchanger (compressor).

Rattling: May be heard during drying if laundry contains hard items such as buttons or zippers.



WARNING!

In case of a failure, only use approved spare parts by authorized manufacturers.



WARNING!

Repair or any warranty claim resulting from incorrect connection or use of the dryer shall not be covered by the warranty. In such cases, the costs of repair shall be charged to the user.



INFORMATION!

The warranty does not cover the errors or failures resulting from disturbances from the environment (lightning strike, power grid failures, natural disasters etc.).

DISPOSAL



Packaging is made of environmentally friendly materials that can be recycled, disposed of, or destroyed without any hazard to the environment. To this end, packaging materials are labeled appropriately.

The symbol on the product or its packaging indicates that the product should not be treated as normal household waste. Take the product to an authorized collection center for waste electric and electronic equipment processing.

When **disposing** of the dryer at the end of its useful life, remove all power cords, and destroy the door latch and switch to prevent the door from locking or latching (child safety).

Correct **disposal** of the product will help prevent any negative effects on the environment and health of people, which could occur in case of incorrect product removal. For detailed information on removal and processing of the product, please contact the relevant municipal body in charge of waste management, your waste disposal service, or the store where you bought the product.

NOTES

LIMITED WARRANTY

ONE-YEAR LIMITED WARRANTY

Warranty coverage is available within the 48 contiguous United States, along with select areas of Alaska, Hawaii, and Canada. For locations not covered, consumers can either contact a local provider or coordinate with Felix Storch, Inc. to find nearby service options, which may qualify for partial reimbursement.

The warranty for this appliance is valid for one year from the date of purchase, provided the appliance is operated and maintained according to the instructions included with the product. The warrantor will cover the cost of factory-specified parts and repair labor needed to correct defects in materials or workmanship. Service must be performed by a designated service company.

All parts, except the compressor, are warranted for one year against manufacturing defects. Plastic parts, shelves, and cabinets are produced to commercially acceptable standards but are not covered for damages incurred during handling or for breakage.

ITEMS WARRANTOR WILL NOT PAY FOR:

1. Service calls to correct the installation of your appliance, to instruct you how to use your appliance, to replace or repair fuses or to correct wiring or plumbing.
2. Service calls to repair or replace appliance light bulbs or broken shelves. Consumable parts (such as filters) are excluded from warranty coverage.
3. Damage resulting from accident, alteration, misuse, abuse, fire, flood, acts of God, improper installation, installation not in accordance with electrical or plumbing codes, or use of products not approved by warrantor.
4. Replacement parts or repair labor costs for units operated outside the 48 contiguous United States, along with select areas of Alaska, Hawaii, and Canada.
5. Repairs to parts or systems resulting from unauthorized modifications made to the appliance.
6. Expenses for travel and transportation for product service in remote locations.
7. The removal and reinstallation of your appliance if it is installed in an inaccessible location or is not installed in accordance with published installation instructions.

DISCLAIMER OF IMPLIED WARRANTIES; LIMITATION OF REMEDIES

CUSTOMER'S SOLE AND EXCLUSIVE REMEDY UNDER THIS LIMITED WARRANTY SHALL BE PRODUCT REPAIR AS PROVIDED HEREIN. IMPLIED WARRANTIES, INCLUDING WARRANTIES OF MERCHANTABILITY OR FITNESS FOR A PARTICULAR PURPOSE, ARE LIMITED TO ONE YEAR. WARRANTOR SHALL NOT BE LIABLE FOR INCIDENTAL OR CONSEQUENTIAL DAMAGES. SOME STATES DO NOT ALLOW THE EXCLUSION OR LIMITATION OF INCIDENTAL OR CONSEQUENTIAL DAMAGES, OR LIMITATIONS ON THE DURATION OF IMPLIED WARRANTIES OF MERCHANTABILITY OR FITNESS, SO THESE EXCLUSIONS OR LIMITATIONS MAY NOT APPLY TO YOU. THIS WARRANTY GIVES YOU SPECIFIC LEGAL RIGHTS AND YOU MAY ALSO HAVE OTHER RIGHTS, WHICH VARY FROM STATE TO STATE.



WARNING: This product can expose you to chemicals including Nickel (Metallic) which is known to the State of California to cause cancer.

For more information go to www.P65Warnings.ca.gov

Note: Nickel is a component in all stainless steel and some other metallic compositions.



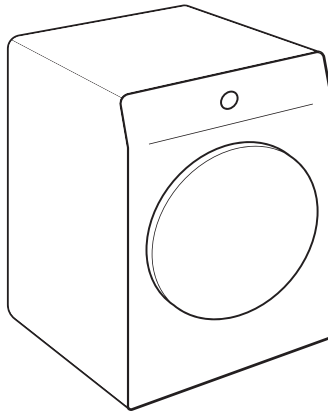
Felix Storch, Inc.
An ISO 9001:2015 registered company
770 Garrison Ave
Bronx, New York 10474
www.summitappliance.com

Revised: 2026-04-08



SÈCHE-LINGE À POMPE DE CHALEUR

Manuel d'Utilisation



Modèles:

SLDHP344 | LBDHP244

AVANT UTILISATION, VEUILLEZ LIRE ET SUIVRE TOUTES LES CONSIGNES DE SÉCURITÉ ET LES INSTRUCTIONS D'UTILISATION

Numéro de Modèle:

Numéro de Série:

Felix Storch, Inc.
Société Certifiée ISO 9001:2015
770 Garrison Avenue
Bronx, NY 10474
www.summitappliance.com

Ce sèche-linge est conçu exclusivement pour un usage domestique.

Ne l'utilisez pas pour sécher des vêtements qui ne peuvent pas être séchés en machine.

Les symboles suivants sont utilisés dans ce manuel :



INFORMATION!

Information, conseil, astuce ou recommandation



AVERTISSEMENT!

Avertissement – danger général



CHOC ÉLECTRIQUE!

Avertissement –risque de choc électrique



SURFACE CHAUDE!

Avertissement –danger de surface chaude



DANGER D'INCENDIE!

Avertissement – risque d'incendie



Il est important de lire attentivement les instructions.

Contenu


INSTRUCTIONS DE SÉCURITÉ IMPORTANTES	4
DANGER DE SURFACE CHAUDE	6
SÉCURITÉ	6
DESCRIPTION DU SÈCHE-LINGE	7
Informations techniques	7
Commande tactile	8
INSTALLATION ET RACCORDEMENT	9
Choix de la pièce	9
Emplacement du sèche-linge	10
Installation dans un placard – Exigences de ventilation	12
Réglage des pieds du sèche-linge	13
Vidange des condensats	14
Raccordement au réseau électrique	15
Installation électrique	15
Connexions électriques	16
Déplacement et transport après installation	16
AVANT LA PREMIÈRE UTILISATION DE L'APPAREIL	17
PROCESSUS DE SÉCHAGE, ÉTAPE PAR ÉTAPE (1 - 6)	18
Étape 1 : Respecter les étiquettes du linge	18
Étape 2 : Préparation du linge pour le séchage	19
Mise en marche du sèche-linge	19
Chargement du sèche-linge	20
Étape 3 : Choix du programme de séchage	21
Tableau des programmes	22
Étape 4 : Sélection des fonctions supplémentaires	24
Étape 5 : Démarrage du programme de séchage	28
Étape 6 : Fin du programme de séchage	28
INTERRUPTIONS ET MODIFICATION DU PROGRAMME	29
Interruptions	29
Modification du programme/des fonctions	29
Ajout de linge après le démarrage du programme	29
Enregistrement des réglages personnels	29
AdaptTech	30
Menu des réglages personnels	30
Aperçu du nombre de cycles de séchage effectués	30
NETTOYAGE ET ENTRETIEN	31
Nettoyage du filtre à peluches dans la porte	32
Nettoyage du filtre de la pompe à chaleur	33
Nettoyage de l'échangeur thermique	34
Vidange du réservoir de condensats	35
Nettoyage du sèche-linge	36
CONSEILS POUR LE SÉCHAGE ET UNE UTILISATION ÉCONOMIQUE DU SÈCHE-LINGE	37
Mode veille à faible consommation	37
DÉPANNAGE	38
MISE AU REBUT	41
GARANTIE LIMITÉE	43




CONSIGNES DE SÉCURITÉ IMPORTANTES

CONSERVEZ CES INSTRUCTIONS POUR CONSULTATION ULTÉRIEURE!

AVERTISSEMENT!

Pour réduire les risques d'incendie, d'électrocution ou de blessures lors de l'utilisation de votre appareil, veuillez suivre les précautions de base, notamment les suivantes:

1. Lisez attentivement toutes les instructions avant d'utiliser l'appareil.
 2. Ne séchez pas d'articles ayant été préalablement nettoyés, lavés, trempés ou tachés d'essence, de solvants de nettoyage à sec ou d'autres substances inflammables ou explosives, car ils dégagent des vapeurs susceptibles de s'enflammer ou d'exploser.
 3. **Risque d'étouffement et de blessure par coincement** : ne laissez pas les enfants jouer sur ou dans l'appareil. Une surveillance étroite est requise lorsque l'appareil est utilisé à proximité d'enfants.
 4. Avant de mettre l'appareil hors service ou de le jeter, retirez la porte du compartiment de séchage.
 5. N'introduisez pas les mains dans l'appareil si le tambour est en mouvement.
 6. N'installez pas et n'entreposez pas cet appareil à l'extérieur ou dans un endroit exposé aux intempéries.
 7. Ne modifiez pas les commandes.
 8. Ne réparez ni ne remplacez aucune pièce de l'appareil et n'effectuez aucune réparation, sauf indication contraire dans les instructions d'entretien ou de réparation publiées que vous comprenez et pour lesquelles vous possédez les compétences nécessaires.
 9. N'utilisez pas de pièces de rechange non recommandées par le fabricant (par exemple, des pièces fabriquées à domicile à l'aide d'une imprimante 3D).
 10. N'utilisez pas d'assouplissants ni de produits antistatiques, sauf indication contraire du fabricant.
 11. N'utilisez pas de chaleur pour sécher les articles contenant de la mousse de caoutchouc ou des matériaux similaires.
 12. Nettoyez le filtre à peluches avant ou après chaque utilisation.
 13. Veillez à ce que la zone autour de la sortie d'air et les zones adjacentes soient exemptes de peluches, de poussière et de saletés.
 14. L'intérieur de l'appareil et le conduit d'évacuation doivent être nettoyés périodiquement par un technicien qualifié.
 15. Ne placez pas dans votre sèche-linge des articles ayant été en contact avec des huiles de cuisson. Les articles contaminés par des huiles de cuisson peuvent provoquer une réaction chimique susceptible d'enflammer le linge. Pour réduire les risques d'incendie liés à des charges contaminées, la dernière phase du cycle de séchage s'effectue sans chaleur (phase de refroidissement). Évitez d'arrêter un sèche-linge avant la fin du cycle de séchage, sauf si vous retirez rapidement tout le linge et l'étalez pour permettre la dissipation de la chaleur.
-  16. **AVERTISSEMENT:** Un branchement incorrect du conducteur de mise à la terre peut entraîner un risque d'électrocution. En cas de doute sur la mise à la terre de l'appareil, consultez un électricien qualifié ou un technicien.

-  17. **AVERTISSEMENT:** Bords tranchants – Pour réduire les risques de blessure, soyez prudent lors du nettoyage des ailettes du condenseur ou de l'évaporateur.
-  18. **AVERTISSEMENT:** Veillez à ce que les fentes de ventilation du boîtier ne soient pas obstruées.
-  19. **AVERTISSEMENT:** Ne pas endommager le circuit frigorifique.

Veillez lire attentivement le mode d'emploi avant d'utiliser le sèche-linge.

N'utilisez pas le sèche-linge sans avoir lu et compris au préalable ce mode d'emploi.

Cet appareil n'est pas destiné à être utilisé par des personnes (y compris les enfants) dont les capacités physiques, sensorielles ou cognitives sont réduites, ou par des personnes manquant d'expérience et de connaissances, à moins qu'elles ne soient sous la surveillance d'une personne responsable de leur sécurité ou qu'elles n'aient reçu des instructions concernant l'utilisation de l'appareil.

Ces instructions d'utilisation sont fournies avec différents types ou modèles de sèche-linge. Elles peuvent donc inclure des descriptions de réglages ou d'équipements qui ne sont pas disponibles sur votre appareil.

Le non-respect des instructions d'utilisation ou une utilisation inappropriée du sèche-linge peut endommager le linge ou l'appareil, voire blesser l'utilisateur. Conservez le manuel d'utilisation à portée de main, près du sèche-linge.

Votre sèche-linge est conçu exclusivement pour un usage domestique. Si le sèche-linge est utilisé à des fins professionnelles, lucratives ou pour un usage dépassant la normale pour un usage domestique, ou s'il est utilisé par une personne qui n'est pas un consommateur, la période de garantie sera égale à la période de garantie minimale prévue par la législation applicable.

Suivez les instructions pour une installation correcte du sèche-linge et son raccordement au réseau électrique (voir INSTALLATION ET RACCORDEMENT).

Toute réparation ou opération d'entretien du sèche-linge doit être effectuée exclusivement par des techniciens qualifiés. Une réparation non professionnelle peut entraîner un accident ou un dysfonctionnement majeur.

Pour éviter tout danger, **un cordon d'alimentation endommagé** ne peut être remplacé que par le fabricant, un technicien de maintenance ou une personne agréée.

Après l'installation, le sèche-linge doit rester immobile pendant deux heures avant d'être branché sur le secteur.

Au moins deux personnes sont nécessaires pour installer le sèche-linge au-dessus d'une machine à laver.

⚠ ATTENTION!

Il est interdit de brancher le sèche-linge sur le secteur à l'aide d'une rallonge.

Ne branchez pas le sèche-linge au réseau électrique à l'aide d'un dispositif de commutation externe tel qu'une minuterie de programmation, ni à un réseau électrique régulièrement mis sous tension et hors tension par le fournisseur d'électricité.

⚠ ATTENTION!

En cas de défaut, utilisez uniquement des pièces de rechange homologuées par des fabricants agréés.

⚠ ATTENTION!

En cas de branchement incorrect du sèche-linge, d'utilisation incorrecte ou d'intervention par une personne non autorisée, les frais liés aux dommages seront à la charge de l'utilisateur, ces dommages n'étant pas couverts par la garantie.

Utilisez toujours les conduits ou les tuyaux fournis avec le sèche-linge.

Installez le sèche-linge dans une pièce bien ventilée et dont la température se situe entre **10°C (50°F) et 25°C (77°F)**.

Placez le sèche-linge sur une surface plane, stable et solide (en béton).

⚠ ATTENTION!

Ne placez pas le sèche-linge derrière une porte verrouillable ou coulissante, ni derrière une porte dont la charnière est située du côté opposé à celle du sèche-linge. Installez le sèche-linge de manière à ce que la porte puisse toujours s'ouvrir librement.

Ne bloquez jamais l'orifice d'évacuation d'air.

⚠ ATTENTION!

Ne placez pas le sèche-linge sur un tapis à fibres longues, car cela pourrait entraver la circulation de l'air.

L'air ambiant du sèche-linge ne doit pas contenir de particules de poussière. La pièce où est installé le sèche-linge doit être bien ventilée afin d'éviter le refoulement des gaz provenant des appareils à gaz à flamme nue (par exemple, une cheminée).

Veillez à ce que les fibres ne s'accumulent pas autour du sèche-linge.

L'appareil ne doit pas être en contact avec un mur ou un meuble adjacent.

Après l'installation, laissez le sèche-linge reposer 24 heures avant de l'utiliser. Si le sèche-linge doit être couché sur le côté lors du transport ou de l'entretien, placez-le avec son côté gauche (vu de face) vers le bas.

N'utilisez pas le sèche-linge pour sécher du linge non lavé.

Le linge taché d'huile, d'acétone, d'alcool, de dérivés d'huile, de détachants, de térébenthine, de cire et de dissolvants de cire doit être lavé en machine à l'eau chaude avec de la lessive avant d'être séché au sèche-linge.

Les vêtements contenant du latex, des pièces en caoutchouc, les bonnets de douche et de bain, ainsi que le linge ou les couvertures en mousse de caoutchouc ne doivent pas être séchés au sèche-linge.

Utilisez des adoucissants ou des produits similaires en suivant les instructions du fabricant.

⚠ DANGER D'INCENDIE!

Retirez tous les objets, tels que briquets et allumettes, des poches.

Avant de déplacer le sèche-linge ou de le ranger dans une pièce non chauffée pendant l'hiver, videz le réservoir de condensats.

Nettoyez le **filtre** du sèche-linge après chaque cycle de séchage. Si vous l'avez retiré, remettez-le en place avant le cycle suivant.

⚠ ATTENTION!

N'utilisez aucun solvant ni produit de nettoyage susceptible d'endommager le sèche-linge (suivez les recommandations et les avertissements fournis par les fabricants des produits de nettoyage).

N'ajoutez jamais de produits chimiques ou de parfums dans le réservoir de condensats (voir DESCRIPTION DU SÈCHE-LINGE et VIDANGE DU RÉSERVOIR DE CONDENSATS).

Le sèche-linge utilise un système de pompe à chaleur pour chauffer l'air.

Le système se compose d'un compresseur et d'un échangeur de chaleur. Au démarrage du sèche-linge, le fonctionnement du compresseur (bruit du liquide qui circule) ou la circulation du fluide frigorigène peuvent être plus bruyants. Ceci est normal et n'affectera pas la durée de vie de l'appareil. Ce bruit s'atténuera avec le temps et l'utilisation.

La garantie ne couvre pas les consommables, les légères variations de couleur, l'augmentation du bruit due à l'âge de l'appareil et n'affectant pas son fonctionnement, ni les défauts esthétiques des composants qui n'affectent pas le fonctionnement et la sécurité du sèche-linge.



ATTENTION!

Ne laissez pas les enfants jouer avec le sèche-linge.

Empêchez vos enfants et vos animaux domestiques d'entrer dans le sèche-linge à tambour.

Avant de fermer la porte et de lancer le programme, assurez-vous qu'il ne reste rien d'autre que du linge dans le tambour (par exemple, si un enfant est monté dans le tambour du sèche-linge et a fermé la porte de l'intérieur).

Activez le verrouillage enfant. Voir l'ÉTAPE 4 : RÉGLAGE DES FONCTIONS SUPPLÉMENTAIRES/Verrouillage enfant.

Ne laissez pas les enfants de moins de trois ans s'approcher du sèche-linge, sauf s'ils sont sous surveillance constante.

Le sèche-linge est conforme à toutes les normes de sécurité en vigueur.

Ce sèche-linge peut être utilisé par des enfants âgés de 8 ans et plus et par des personnes ayant des capacités physiques, sensorielles ou cognitives réduites ou un manque d'expérience et de connaissances, mais seulement s'ils sont surveillés pendant l'utilisation de l'appareil, s'ils ont reçu les instructions pertinentes concernant l'utilisation sûre du sèche-linge et s'ils comprennent les dangers d'une utilisation inappropriée.

Veillez à ce que les enfants ne jouent pas avec le sèche-linge.

Les enfants ne sont pas autorisés à nettoyer le sèche-linge ni à effectuer des tâches d'entretien sans surveillance.

DANGER DE SURFACE CHAUDE



SURFACE CHAUDE!

À des températures de séchage élevées, la vitre de la porte chauffera. Soyez prudent pour éviter les brûlures. Veillez à ce que les enfants ne jouent pas près de la porte vitrée.

L'arrière du sèche-linge peut devenir très chaud pendant son fonctionnement. Attendez qu'il refroidisse complètement avant de toucher son arrière.

Si vous ouvrez la porte du sèche-linge pendant le séchage, le linge peut être très chaud et vous risquez de vous brûler.

N'interrompez jamais le séchage avant la fin du cycle. Si vous devez l'interrompre, soyez très prudent lorsque vous sortez le linge du tambour, car il est très chaud. Retirez-le rapidement et étalez-le pour qu'il refroidisse au plus vite.

SÉCURITÉ



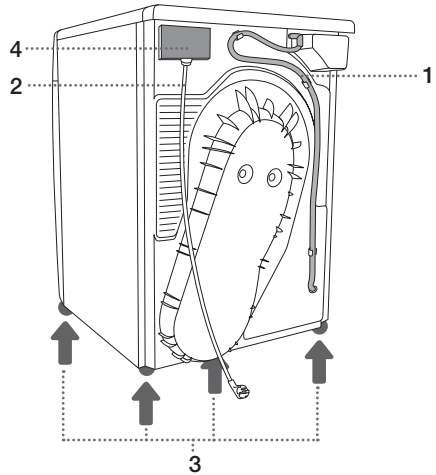
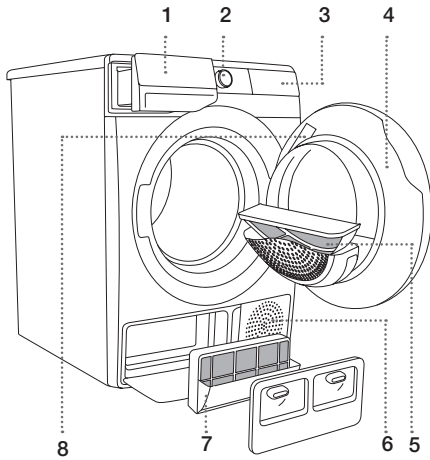
DANGER D'INCENDIE!

Si vous avez nettoyé vos vêtements avec des produits de nettoyage industriels ou des substances chimiques, ne les séchez pas au sèche-linge.

Le sèche-linge est protégé par un dispositif de sécurité anti-surchauffe. Ce dispositif arrête l'appareil si la température devient trop élevée.

Si le filtre à peluches est obstrué, le sèche-linge peut s'arrêter automatiquement en raison d'une surchauffe. Nettoyez le filtre, attendez que le sèche-linge refroidisse, puis essayez de le redémarrer. S'il ne démarre toujours pas, contactez le service technique.

DESCRIPTION DU SÈCHE-LINGE



DEVANT

1. Réservoir de condensats
2. Bouton marche/arrêt et sélecteur de programme du sèche-linge
3. Commande tactile
4. Porte
5. Filtre à réseau
6. Orifice de ventilation
7. Filtre de pompe à chaleur
8. Plaque signalétique

Arrière

1. Tuyau d'évacuation des condensats
2. Cordon d'alimentation
3. Pieds réglables
4. Boîte de jonction

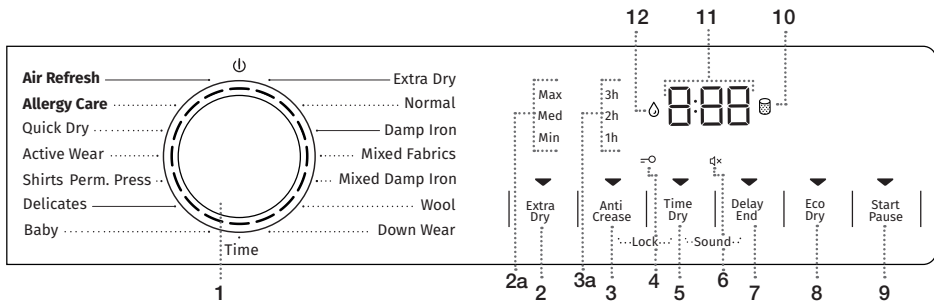
Informations techniques

La plaque signalétique contenant les informations de base sur le sèche-linge se trouve à l'intérieur de la porte du sèche-linge.

Largeur	23½" (600 mm)
Hauteur	33½" (850 mm)
Profondeur du séchoir (a)	24½" (625 mm)
Profondeur porte fermée	25½" (653 mm)
Profondeur avec porte ouverte (b)	44½" (1134 mm)
Tension nominale	Voir la plaque signalétique
Fusible	Voir la plaque signalétique
Puissance nominale	Voir la plaque signalétique
Quantité de réfrigérant	Voir la plaque signalétique
Type de réfrigérant	R134a
Charge maximale	Voir la plaque signalétique

Ce produit contient des gaz à effet de serre fluorés.
 Type de réfrigérant : R134a
 Quantité de réfrigérant : 0,66 lb (0,30 kg)
 Potentiel de réchauffement global (PRG) total : 1430
 Équivalent CO₂ : 945,8 lb (0,429 t)
 Hermétiquement scellé.

Unité de Contrôle



<p>1</p>	<p>Bouton ON/OFF et sélecteur de programme. </p> <p>Pour allumer le sèche-linge, tournez le bouton de sélection dans n'importe quel sens.</p> <p>Pour éteindre le sèche-linge, tournez le bouton sur la position ARRÊT </p> <p>Pour choisir un programme, tournez simplement le bouton jusqu'au programme souhaité</p> <p>Le voyant à côté du programme sélectionné s'allume</p>
<p>2</p>	<p>EXTRA DRY (NIVEAU DE SÉCHAGE)</p> <p>Le symbole s'allume lorsque la fonction est activée.</p> <p>Fonctions supplémentaires: permet de sélectionner le niveau de séchage MAX, MED ou MIN (2a) et de prolonger le temps de séchage.</p>
<p>3</p>	<p>ANTI CREASE (PRÉVENTION DES PLIS)</p> <p>La durée de fonctionnement sélectionnée s'affichera. 1h, 2h, 3h (3a)</p>
<p>3+5</p>	<p>Verrouillage enfant MARCHE/ARRÊT (Verrouillage) </p> <p>Appuyez et maintenez ANTI CREASE et TIME DRY (3 et 5) pendant 3 secondes.</p>
<p>4</p>	<p>Symbole de sécurité enfant </p>
<p>5</p>	<p>TIME DRY (SÉCHAGE PROGRAMMÉ)</p> <p>Possibilité de régler le temps de séchage.</p>
<p>6</p>	<p>Allumage du symbole SOUND OFF </p>
<p>7</p>	<p>DELAY END (RETARDER LA FIN DU PROGRAMME DE SÉCHAGE)</p> <p>Possibilité de régler l'heure de fin du séchage.</p>
<p>5+7</p>	<p>Activation/désactivation du son (Son)</p> <p>Appuyez et maintenez TIME DRY et DELAY END (5 et 7) pendant 3 secondes</p>
<p>8</p>	<p>ECO DRY (BAISSE TEMPÉRATURE)</p> <p>Possibilité de séchage à basse température.</p>
<p>9</p>	<p>Bouton START/PAUSE</p> <p>Ce bouton a 3 fonctions:</p> <ul style="list-style-type: none"> • DÉMARRER – Appuyez une fois pour lancer le programme de séchage. • PAUSE – Appuyez deux fois pour mettre le programme en pause. • SAUVEGARDE DES RÉGLAGES PERSONNELS – Maintenez appuyé pendant 5 secondes. <p>Lorsque l'appareil est allumé, le voyant du bouton s'allume.</p>
<p>10</p>	<p>NETTOYER LE FILTRE symbole (lumière)</p>
<p>11</p>	<p>L'écran affiche les informations suivantes</p> <ul style="list-style-type: none"> • Fonctions disponibles • Temps restant avant la fin du programme • Informations destinées à l'utilisateur.
<p>12</p>	<p>VIDER LE RÉSERVOIR DE CONDENSATS symbole (lumière)</p>

INSTALLATION ET RACCORDEMENT

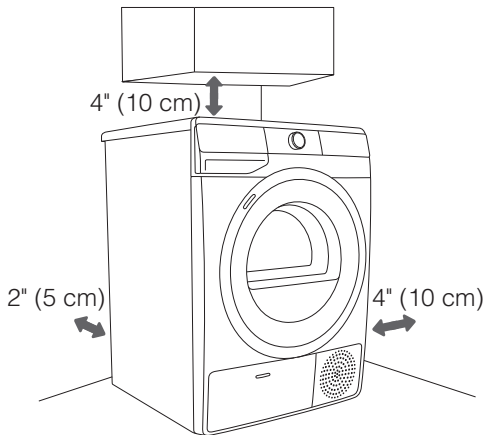
AVERTISSEMENT:

- Installez le sèche-linge selon les instructions du fabricant et les normes locales.
- L'installation doit être réalisée par un installateur qualifié.
- Pour réduire le risque de blessures graves ou de décès, suivez toutes les instructions d'installation.
- Conservez ces instructions

INFORMATION!

Retirez tout l'emballage. Faites preuve de prudence lorsque vous retirez l'emballage à l'aide d'objets pointus afin de ne pas endommager le sèche-linge.

Choisir la chambre



INFORMATION!

Le sèche-linge ne doit pas être en contact avec un mur ou un meuble adjacent. Pour un fonctionnement optimal, nous vous recommandons de respecter la distance minimale par rapport aux murs indiquée sur la figure. Si cette distance minimale n'est pas respectée, le sèche-linge risque de surchauffer.

INFORMATION!

Ne pas obstruer les orifices de ventilation et l'ouverture d'évacuation d'air situés à l'arrière ou à l'avant du sèche-linge.

Installez le sèche-linge dans une pièce bien ventilée, à une température comprise entre 10°C et 25°C (50°F et 77°F). Un fonctionnement à basse température peut entraîner la formation de condensation à l'intérieur de l'appareil.

N'installez pas le sèche-linge dans un endroit exposé au gel, car le gel de l'eau dans le réservoir de condensation ou la pompe pourrait l'endommager.

Le sèche-linge dégage de la chaleur. Évitez de l'installer dans une petite pièce, car le séchage pourrait être plus long en raison d'une circulation d'air insuffisante.

Assurez-vous que la pièce est bien éclairée afin de pouvoir lire facilement l'affichage et le panneau de commande.

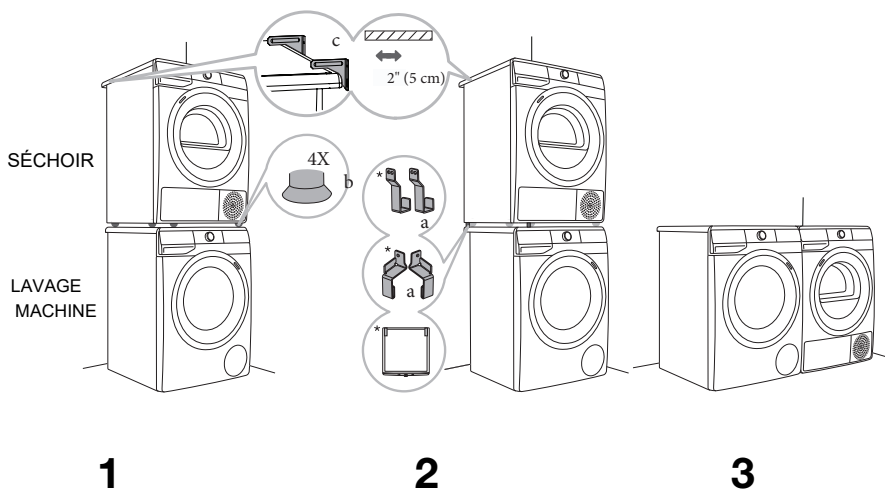
Placement du sèche-linge

Si vous avez un sèche-linge de mêmes dimensions, il peut être placé au-dessus de la machine à laver. Les pieds ventouses doivent être utilisés pour cette installation. Le sèche-linge peut également être placé à côté de la machine à laver (figures 1 et 3).

Si la machine à laver est plus petite (profondeur minimale 545 mm / 21½"), un support pour sèche-linge doit être acheté séparément (figure 2). **Les pieds ventouses fournis doivent toujours être utilisés pour éviter que le sèche-linge ne glisse.**

Des accessoires supplémentaires sont disponibles : support pour sèche-linge (a), pieds ventouses (b) et support mural (c). Pour commander des pièces de rechange, visitez summitapplianceparts.com

La surface sur laquelle l'appareil est placé doit être propre et plane, et la machine à laver doit pouvoir supporter le poids du sèche-linge (voir DESCRIPTION DU SÈCHE-LINGE / Informations techniques).



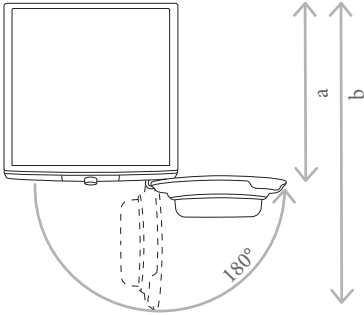
* selon le modèle



INFORMATION!

Il faut au moins deux personnes pour installer le sèche-linge au-dessus d'une machine à laver.

Ouverture de la porte du sèche-linge (vue de dessus)



Voir la DESCRIPTION DU SÈCHE-LINGE/
Informations techniques.

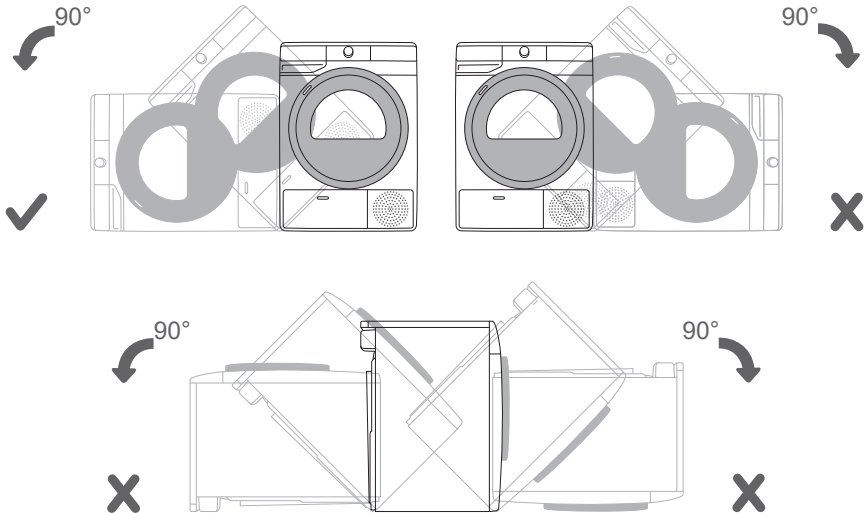
a = 24½" (625 mm)
b = 44½" (1134 mm)

⚠ WARNING!

Ne placez pas le sèche-linge derrière une porte verrouillable ou coulissante, ni derrière une porte dont la charnière se trouve du côté opposé à celle du sèche-linge. Installez le sèche-linge de manière à ce que la porte puisse toujours s'ouvrir librement.

⚠ WARNING!

Ne placez pas le sèche-linge sur un tapis à fibres longues, car cela pourrait entraver la circulation de l'air.



💡 INFORMATION!

Après l'installation, attendez 24 heures sans déplacer l'appareil avant la première utilisation. Si le sèche-linge doit être couché sur le côté lors du transport ou de l'entretien, placez-le avec son côté gauche orienté vers le bas, vu de face.

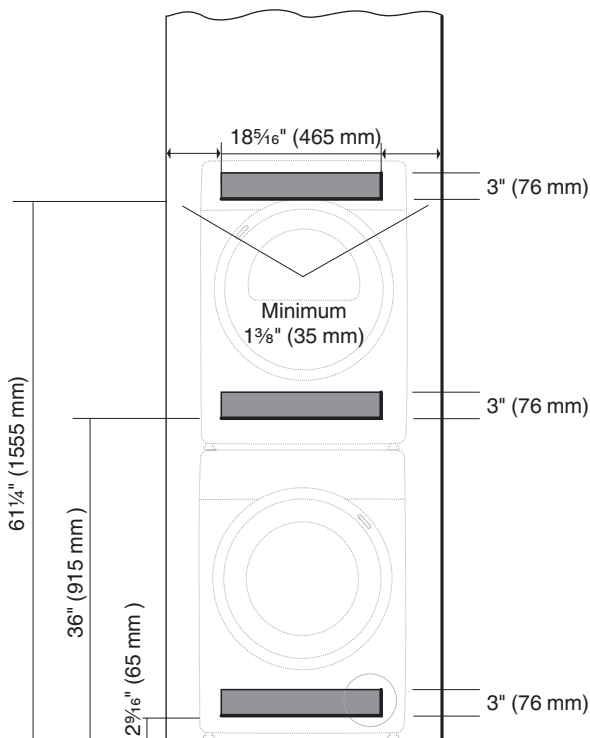
Installation de Placard - Exigences de Ventilation

Les commandes en façade permettent d'installer les lave-linge et les sèche-linge dans un placard.

Assurez-vous qu'il y a un dégagement minimum de 1" (25 mm) entre les unités et l'armoire ou le mur et un dégagement minimum de 1" (25 mm) entre le bord arrière du panneau supérieur de la machine et l'armoire ou le mur.

Pour assurer une ventilation adéquate, nous recommandons les portes à persiennes. À défaut, la porte doit comporter des ouvertures de ventilation.

Voir l'illustration ci-dessous (cases grises) pour les ouvertures de ventilation minimales :



INFORMATION!

Après l'installation, assurez-vous que la porte de la machine à laver puisse s'ouvrir complètement et sans obstruction.



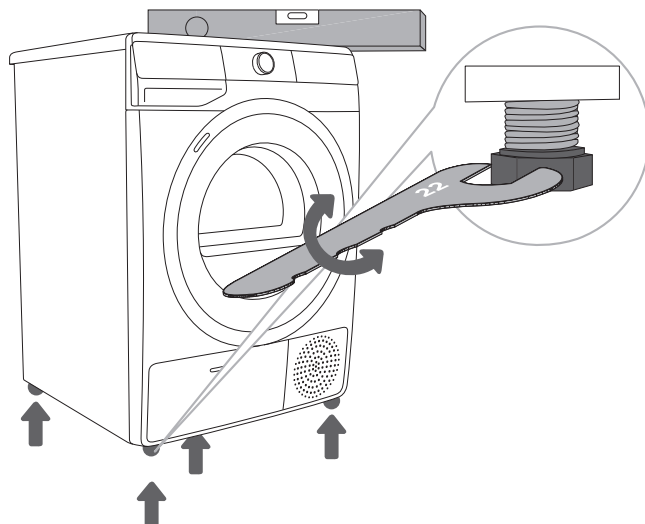
INFORMATION!

La grille d'aération située à l'avant de la machine à laver ne doit pas être obstruée ni recouverte. Le non-respect de cette consigne pourrait entraîner un dysfonctionnement.

Réglage des pieds du sèche-linge

Nivelez le sèche-linge d'avant en arrière et d'un côté à l'autre en ajustant les pieds, qui permettent un réglage en hauteur de $\pm\frac{1}{2}$ " (± 1 cm).

Utilisez un niveau à bulle pour vérifier l'alignement et une clé n° 22 pour effectuer les réglages.



INFORMATION!

Le sèche-linge doit être placé sur un sol en béton propre et sec, sinon il risque de glisser. Assurez-vous que la base des pieds réglables est propre et sèche.



INFORMATION!

Le sèche-linge doit être installé de niveau et stable sur une base solide.



INFORMATION!

Un mauvais nivellement du sèche-linge à l'aide des pieds réglables peut entraîner des vibrations, un déplacement de l'appareil dans la pièce et un fonctionnement bruyant. La garantie ne couvre pas les dommages causés par un mauvais nivellement du sèche-linge.



INFORMATION!

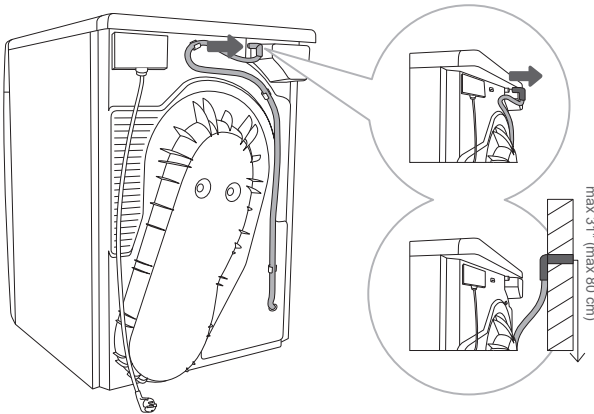
Des bruits inhabituels ou plus forts peuvent se produire pendant le fonctionnement de l'appareil. Ces bruits sont généralement dus à une installation incorrecte.

Évacuation des condensats

L'humidité extraite du linge s'accumule dans le réservoir de condensats.

Pendant le séchage, le voyant lumineux de l'écran s'allumera lorsque le réservoir sera plein et devra être vidé.

Pour éviter de vider le réservoir manuellement, vous pouvez raccorder directement le tuyau d'évacuation des condensats situé à l'arrière du sèche-linge à un drain.



1 Détachez le tuyau de son support situé sur la paroi arrière du sèche-linge (côté gauche, sous le couvercle supérieur).

2 Passez le tuyau dans un conduit d'évacuation à une hauteur maximale de 80 cm (31 po) du sol.



INFORMATION!

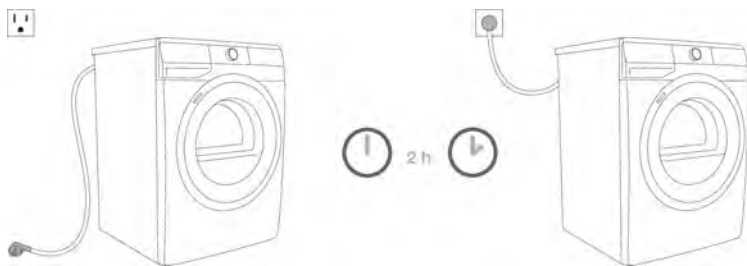
Si vous décidez de raccorder le tuyau d'évacuation des condensats à un drain, assurez-vous qu'il soit bien fixé. Cela évitera tout débordement d'eau susceptible d'entraîner des dégâts imprévus..



AVERTISSEMENT!

Utilisez toujours les tuyaux fournis avec le sèche-linge.

Raccordement au réseau électrique



CHOC ÉLECTRIQUE !

Après l'installation, le sèche-linge doit rester immobile pendant deux heures avant d'être branché sur le secteur ; cela permet au sèche-linge de se stabiliser.

Cet appareil doit être mis à la terre. En cas de dysfonctionnement ou de panne, la mise à la terre réduit le risque d'électrocution en offrant un chemin de moindre résistance au courant électrique. L'appareil est équipé d'un cordon d'alimentation avec conducteur et fiche de mise à la terre. La fiche doit être branchée dans une prise correctement installée et mise à la terre, conformément à la réglementation en vigueur.

Ne modifiez pas la fiche si elle ne correspond pas à la prise murale ; faites installer une prise appropriée par un électricien qualifié. Branchez le sèche-linge uniquement sur une prise mise à la terre. Après l'installation, la prise doit rester facilement accessible et conforme aux normes électriques applicables.

Les informations techniques concernant votre sèche-linge figurent sur la plaque signalétique (voir DESCRIPTION DU SÈCHE-LINGE / Informations techniques).



CHOC ÉLECTRIQUE !

Nous recommandons l'utilisation d'une protection contre les surtensions pour protéger l'appareil en cas de foudre.



AVERTISSEMENT!

Le sèche-linge ne doit pas être branché sur le secteur à l'aide d'une rallonge.



INFORMATION!

Toute réparation ou maintenance relative à la sécurité ou aux performances doit être effectuée par des experts qualifiés.



INFORMATION!

Un cordon d'alimentation endommagé ne doit être remplacé que par un personnel autorisé.

Installation électrique



CHOC ÉLECTRIQUE !

La prise située à l'arrière de la machine est conçue pour accueillir des lave-linge fonctionnant sous une tension de 208 à 240 V. Pour utiliser cette prise, vous devez utiliser la fiche fournie avec le lave-linge ou une fiche équivalente. Les lave-linge de 208 à 240 V sont équipés de deux fusibles internes de 15 A chacun. L'appareil doit être branché uniquement sur une prise murale mise à la terre.



CHOC ÉLECTRIQUE !

Cet appareil doit être correctement mis à la terre. Consultez les consignes de sécurité importantes pour les instructions de mise à la terre. Le cordon d'alimentation doit être mis à la terre. Si l'appareil est utilisé dans un endroit humide, l'alimentation doit être protégée par un dispositif différentiel résiduel. Le raccordement à une prise de courant fixe doit être effectué uniquement par un électricien qualifié.

Caractéristiques fournies : 208–240 V, 60 Hz, puissance de chauffage requise : circuit de 30 A.



INFORMATION!

Ne branchez pas la machine au réseau électrique au moyen d'une rallonge.

Raccordements électriques

INFORMATION!

Lisez les exigences électriques et les instructions de mise à la terre avant de raccorder le sèche-linge.

Les modèles électriques sont conçus pour un système de connexion à 3 fils. Le châssis du sèche-linge est mis à la terre par un lien raccordé au conducteur neutre sur le bornier. Si les codes locaux n'autorisent pas la mise à la terre via le neutre, ce lien doit être retiré et un fil de terre séparé doit être utilisé.

Une alimentation à 4 conducteurs doit être utilisée lorsque la mise à la terre par le neutre est interdite, notamment dans les nouvelles installations électriques, les maisons mobiles, les véhicules récréatifs ou toute zone où les codes locaux l'interdisent. Dans tous les cas de connexion à 4 fils, le lien de mise à la terre du sèche-linge doit être retiré.

Ces instructions de raccordement électrique couvrent les installations suivantes:

les connexions à 3 fils lorsque la mise à la terre via le neutre est autorisée, les connexions à 3 fils avec conducteur de terre séparé lorsque la mise à la terre via le neutre est interdite, ainsi que les connexions à 4 fils.

Chaque type de connexion peut être réalisé à l'aide d'un cordon d'alimentation homologué ou par raccordement direct. Les instructions indiquent le cordon approprié et les exigences pour un raccordement direct.

INFORMATION!

The dryer is equipped with a four-prong plug intended for connection to a single-phase supply.

Déplacement et transport après installation

Après chaque cycle de séchage, il restera un peu d'eau condensée dans le sèche-linge. Mettez l'appareil en marche, sélectionnez un programme et laissez-le fonctionner pendant environ 30 secondes.

Cela permettra d'évacuer l'eau restante et d'éviter d'endommager le séchoir pendant le transport.

CHOC ÉLECTRIQUE !

Après le transport, le séchoir doit rester immobile pendant au moins deux heures avant d'être utilisé. L'appareil doit être raccordé au réseau électrique. Son installation et son raccordement doivent être effectués par un technicien qualifié.

INFORMATION!

Si l'appareil n'a pas été transporté conformément aux instructions, le sèche-linge doit être laissé immobile pendant au moins 2 heures avant d'être rebranché au secteur.

Le non-respect de ces instructions peut entraîner une panne de la pompe à chaleur, laquelle ne sera pas couverte par la garantie.

Veillez à ne pas endommager le système de refroidissement (voir INSTALLATION ET RACCORDEMENT/Emplacement du sèche-linge).

CHOC ÉLECTRIQUE !

Lisez attentivement les instructions d'utilisation avant de raccorder le sèche-linge. Toute réparation ou réclamation au titre de la garantie résultant d'une installation incorrecte ou d'une mauvaise utilisation du sèche-linge ne sera pas couverte par la garantie.

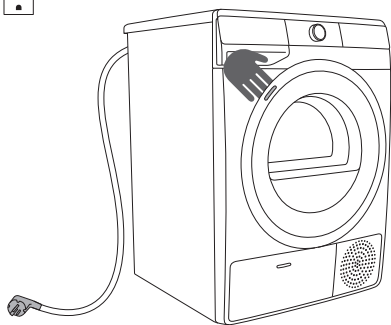
INFORMATION!

Seul un technicien de maintenance peut remplacer la courroie.

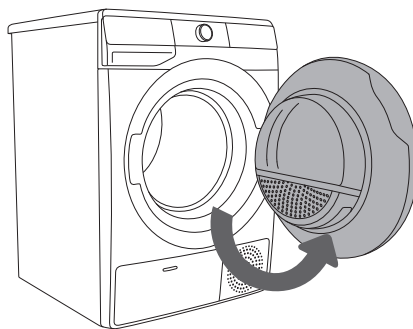
AVANT D'UTILISER L'APPAREIL POUR LE PREMIÈRE FOIS

Assurez-vous que le sèche-linge est débranché du secteur ; puis, ouvrez la porte en tirant le côté gauche de la porte vers vous (figures 1 et 2).

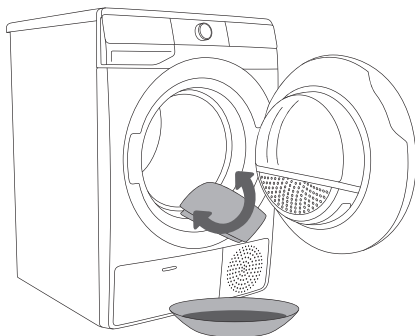
Avant d'utiliser le sèche-linge pour la première fois, nettoyez le tambour du sèche-linge à l'aide d'un chiffon doux en coton humide et d'eau (figure 3).



1



2



3






















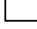

AVERTISSEMENT!

N'utilisez aucun solvant ni produit de nettoyage susceptible d'endommager le sèche-linge (suivez les recommandations et les avertissements fournis par le fabricant du produit de nettoyage).

PROCESSUS DE SÉCHAGE

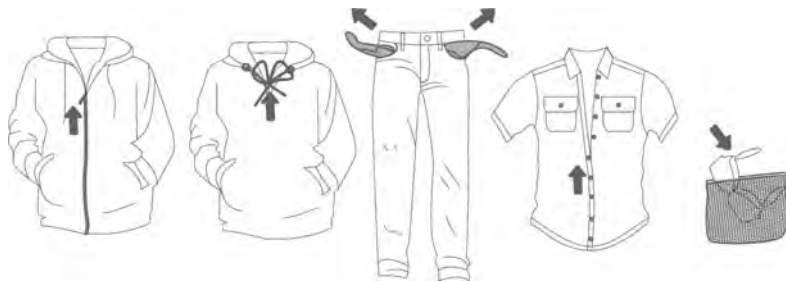
ÉTAPE PAR ÉTAPE (1 - 6)

Étape 1: Respectez les étiquettes sur le linge

Coton, lavage normal					
linge délicat					
	température de lavage maximale CHAUD+ (TRÈS CHAUD)		Lavage max. température CHAUD		Ne pas laver
	Lavage max. température CHAUD		Lavage à la main seulement		
Blanchiment					
	Blanchiment à l'eau froide		Blanchiment interdit		
Nettoyage à sec					
	Nettoyage à sec avec tous les agents		Solvant pétrolier R11, R113		
	Nettoyage à sec au kérosène, à l'alcool pur et au R113		Nettoyage à sec non autorisé		
Repassage					
	Repassage à HAUTE température		Repassage à BASSE température		
	Repassage à température MOYENNE		Repassage interdit		
Séchage					
	Sécher à plat (poser sur une surface plane)		température élevée		
	Séchage à l'air libre		basse température		
	Séchage à la corde		Ne pas sécher en machine		

Étape 2: Préparation du processus de séchage du linge

1. Triez le linge par type et épaisseur du tissu (voir TABLEAU DES PROGRAMMES).
2. Fermez les boutons et les fermetures éclair, nouez les rubans et retournez les poches.
3. Placez les vêtements délicats dans un sac à linge spécialement conçu à cet effet.



Le séchage en machine du linge confectionné dans des tissus particulièrement délicats susceptibles de se déformer n'est pas recommandé. Les types de linge suivants ne doivent pas être séchés au sèche-linge car cela pourrait déformer vos vêtements:

- Vêtements et articles en cuir
- Vêtements cirés ou traités de toute autre manière
- Vêtements comportant des pièces importantes en bois, en plastique ou en métal
- Vêtements ornés de paillettes
- Vêtements comportant des pièces métalliques susceptibles de rouiller

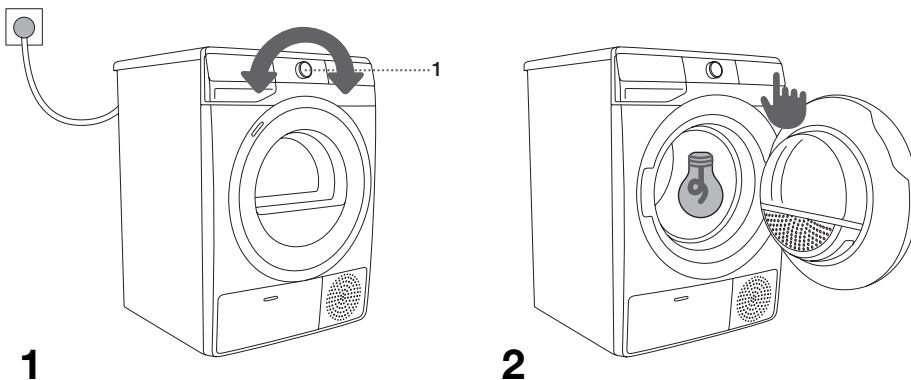
Mise en marche du sèche-linge

Pour allumer le sèche-linge, tournez le bouton de sélection du programme dans n'importe quelle position (figure 1).

Sur certains modèles, le tambour du sèche-linge est également équipé d'une lumière (voir figure 2). Cette lampe est uniquement destinée à éclairer le tambour et ne convient à aucun autre usage.

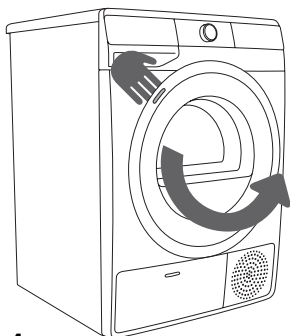
💡 INFORMATION!

Seul un technicien de maintenance peut remplacer l'ampoule du tambour du sèche-linge.

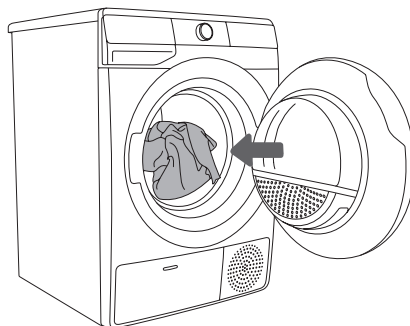


Charger le sèche-linge

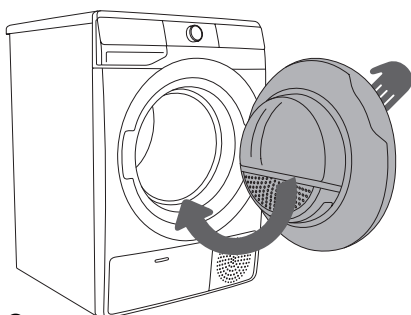
1. Ouvrez la porte du sèche-linge en tirant le côté gauche de la porte vers vous (figure 1).
2. Insérez le linge dans le tambour (après vous être assuré que le tambour est vide) (figure 2).
3. Fermez la porte du sèche-linge (figure 3).



1



2



3



INFORMATION!

Ne mettez pas de linge dans le sèche-linge s'il n'a pas été essoré (cycle d'essorage minimum recommandé : 800 tr/min).

Ne surchargez pas le tambour. Consultez le TABLEAU DES PROGRAMMES et respectez la charge nominale indiquée sur la plaque signalétique.

Une surcharge du tambour peut provoquer un froissement excessif et un séchage irrégulier.



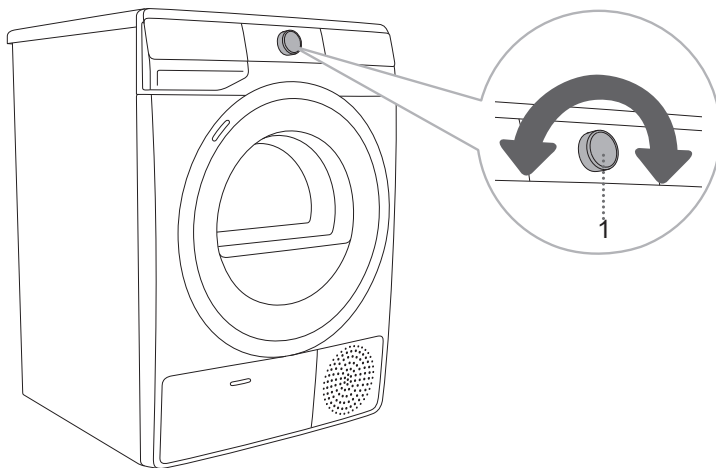
INFORMATION!

Pour sécher les articles plus volumineux (draps, serviettes, nappes, etc.), détachez-les puis insérez-les dans le tambour du sèche-linge.

Étape 3: Choisir le programme de séchage

Sélectionnez le programme en tournant le sélecteur de programme vers la gauche ou vers la droite (selon le type de linge et le niveau de séchage souhaité). Voir le TABLEAU DES PROGRAMMES.

Le voyant situé à côté du programme sélectionné s'allume.



INFORMATION!

Le sélecteur de programme ne tournera pas automatiquement pendant le fonctionnement.

Table de programme

Programme Niveaux de sécheresse	Charge maximale	Description du programme
Extra sec	Charge complète	Utilisez ce programme pour le linge en coton épais et non délicat. Après séchage, il sera sec et prêt à être stocké.
Normale	Charge complète	Utilisez ce programme pour le linge en coton épais non délicat d'épaisseur approximativement identique. <i>Ce programme est conçu pour sécher le linge en coton humide. Programme le plus économe en énergie pour le séchage du linge en coton. Les données de consommation d'énergie sont déterminées à l'aide du réglage du cycle du programme et réglage de séchage moyen selon la norme CAN/CSA-C361-16 et les méthodes de procédure d'essai du DOE spécifiées au 10 CFR 430, Sous-partie B, Annexe D2.</i>
Fer humide (Humide pour le repassage)	Charge complète	Utilisez ce programme pour le linge en coton non délicat. Après séchage, il sera prêt à être repassé.
Tissus mélangés	1/2 charge	Utilisez ce programme pour le linge en coton non délicat. Après séchage, il sera prêt à repasser. Séchage ECO DRY à basse température, plus respectueux de votre linge.
Fer à repasser humide mixte	1/2 charge	Ce programme est utilisé pour sécher le linge délicat, fabriqué à partir de fibres synthétiques.
Laine	1/4 charge	Ce programme est conçu pour sécher les vêtements en laine conformément aux instructions du fabricant indiquées sur l'étiquette.
Vêtements en duvet	1/4 charge	Utilisez ce programme pour sécher les textiles rembourrés de duvet (oreillers, couettes, vestes, etc.). Séchez les articles volumineux séparément et utilisez la fonction EXTRA DRY si nécessaire.
Temps (Séchage programmé)	1/2 charge	Ce programme convient au linge non délicat, légèrement humide, nécessitant un séchage complet. Le sèche-linge ne détecte pas l'humidité restante dans ce mode ; si le linge reste humide, relancez le cycle. Si le linge ressort trop sec, froissé ou rigide, la durée choisie était trop longue.
Bébé (Vêtements pour bébés)	1/2 charge	Utilisez ce programme pour sécher les vêtements de bébé. Les vêtements séchés avec ce programme sèchent normalement. ECO DRY , séchage à basse température plus respectueux de l'environnement votre linge.
Produits délicats	1/4 charge	Utilisez ce programme pour le linge très délicat en fibres synthétiques, qui peut rester légèrement humide après le séchage. Il est recommandé d'utiliser un sac de lavage spécial. ECO DRY : séchage à basse température, plus doux pour le linge.
Chemises - Programme permanent	1/4 charge	Utilisez ce programme pour sécher chemises et blouses. La rotation adaptée du tambour limite le froissage du linge. ECO DRY : séchage à basse température, plus doux pour le linge.
Vêtements de sport	1/4 charge	Ce programme est conçu pour les vêtements avec membrane, les vêtements de sport en matériaux mélangés et les tissus respirants. ECO DRY : séchage à basse température, plus doux pour le linge.

Programme Niveaux de sécheresse	Charge maximale	Description du programme
Séchage rapide	1/2 charge	Ce programme convient aux petites quantités de linge que vous souhaitez sécher rapidement et efficacement.
Soins des allergies	1/2 charge	La durée de séchage plus longue et la température élevée, dépassant 60 °C (140 °F), réduisent la quantité de microbes et d'allergènes sur les vêtements. Ce programme ne doit pas être utilisé pour les articles délicats ou non adaptés au séchage en machine.
Rafrâichissement de l'air	1/4 charge	Ce programme désactive le chauffage. Il est idéal pour rafraîchir votre linge.

Si votre linge n'est pas séché au niveau de séchage souhaité, utilisez des fonctions supplémentaires ou un programme plus adapté.

Step 4: Sélection des fonctions supplémentaires



INFORMATION!

Activez/désactivez la fonction en appuyant sur la position souhaitée (avant d'appuyer sur **START/PAUSE**).

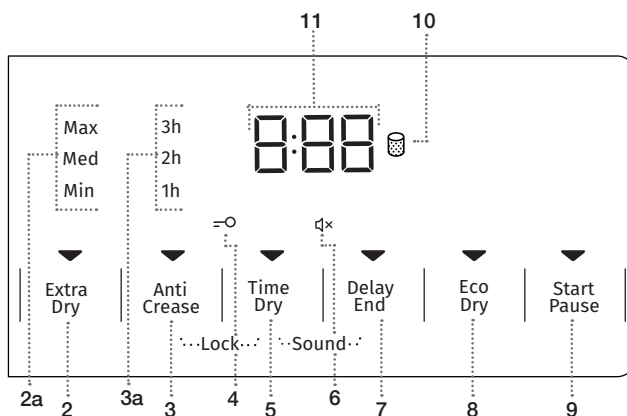
Réglez les paramètres en appuyant sur la touche de fonction correspondante (avant d'appuyer sur **START/PAUSE**).

Les fonctions pouvant être modifiées avec le programme sélectionné sont partiellement éclairées (luminosité réduite).

Certaines fonctions ne sont pas disponibles avec certains programmes : elles ne s'allument pas et le bouton clignote lorsqu'on appuie dessus (voir TABLEAU DES FONCTIONS).

Description de l'éclairage des fonctions pour le programme de séchage sélectionné :

- **Allumé** (Réglage de base/préréglé)
- **Atténué** (Fonctions réglables)
- **Non éclairé** (Fonctions non sélectionnables)



2

EXTRA SEC (NIVEAU DE SECEUR)

Appuyez sur **EXTRA DRY** pour augmenter le niveau de séchage et la durée de séchage. Ce réglage peut être effectué avant de démarrer le cycle de séchage.

Si le même programme et les mêmes paramètres sont utilisés trois fois de suite, l'**ADAPTECH** cette fonction les enregistrera automatiquement.

Trois niveaux sont disponibles : **MAX**, **MED** et **MIN**. Le voyant correspondant au niveau sélectionné s'allumera.



3

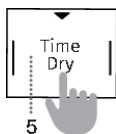
ANTI-FROISSE (PRÉVENTION DU FROISSAGE)

Si vous ne pouvez pas retirer le linge immédiatement après la fin du cycle, sélectionnez la fonction **ANTI CREASE** avant de lancer le programme.

Appuyez sur **ANTI CREASE** pour choisir entre 1 h, 2 h ou 3 h, ou pour désactiver la fonction.

La fonction se désactive automatiquement lorsque vous ouvrez la porte du sèche-linge ou appuyez sur **START/PAUSE** après la fin du programme.

SÉCHAGE TEMPORÉ (SÉCHAGE TEMPORÉ)



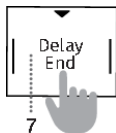
Dans le programme temps, appuyez sur **TIME DRY** pour régler la durée de séchage souhaitée. Le voyant de la fonction sélectionnée s'allumera.

Le temps initial est de **0:30**, et chaque pression augmente le temps de séchage de 15 minutes, jusqu'à un maximum de **4 heures**.

Pour réinitialiser le temps de séchage, maintenez la touche **TIME DRY** enfoncée pendant 3 secondes.

FIN DIFFÉRÉE (RETARDEMENT DE LA FIN DU PROGRAMME DE SÉCHAGE)

(selon le modèle)



Maintenez la touche **DELAY END** enfoncée pour régler le programme de séchage afin qu'il se termine dans un délai maximum de 24 heures.

Si vous appuyez sur n'importe quel bouton (sauf **DELAY END** ou **START/PAUSE**) pendant le réglage de cette fonction, **DELAY END** sera réinitialisé.

Configurez toutes les autres fonctions souhaitées avant d'activer **DELAY END**.

Procédure de paramétrage :

1. Sélectionnez le programme souhaité et les fonctions supplémentaires.
2. Appuyez sur la touche **DELAY END** ou maintenez-la enfoncée pour régler le délai de fin souhaité:
 - Par incréments de 30 minutes jusqu'à 6 heures
 - Par incréments d'une heure de 6 à 24 heures
3. Appuyez sur **START/PAUSE** pour confirmer.

Après avoir programmé la **DELAY END**, le sèche-linge effectuera un compte à rebours. Lorsque ce compte à rebours atteint l'heure de début du programme (par exemple 2:30), le cycle de séchage démarrera automatiquement.

Pour arrêter ou modifier le délai, tournez le sélecteur de programme sur **OFF** pendant au moins 1 seconde.

Lors de la prochaine utilisation du sèche-linge, vous pourrez définir un nouveau délai de fin de séchage.

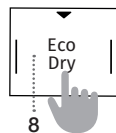
Pour annuler:

maintenez la touche **DELAY END** enfoncée pendant 3 secondes. Le programme de séchage reprendra immédiatement.

Exemple:

S'il est actuellement 9:00 PM et que vous souhaitez que le programme de séchage se termine à 6:00 AM, réglez la **DELAY END** sur 9 heures.

SÉCHAGE ÉCO (BAISSE TEMPÉRATURE)



Appuyez sur **ECO DRY** pour sécher le linge à une température plus basse, ce qui est plus doux pour les tissus et contribue à réduire le rétrécissement.

Cette fonction utilise une régulation précise de la pompe à chaleur et un capteur de température supplémentaire pour abaisser la température de séchage. Les vêtements peuvent rétrécir jusqu'à 50% en moins par rapport à un séchage classique, selon le type de tissu.

Utilisez ce réglage uniquement pour les articles adaptés au séchage en machine

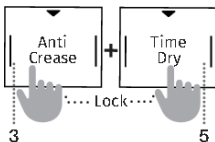
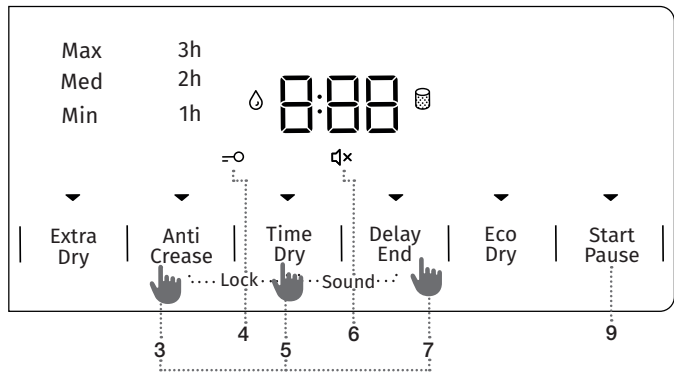


INFORMATION!

Certaines fonctionnalités peuvent ne pas être disponibles avec certains programmes. Si une fonction ne peut être sélectionnée, un signal sonore retentit et le voyant correspondant clignote.

(Voir le TABLEAU DES FONCTIONS SUPPLÉMENTAIRES pour plus de détails.)

Réglages de combinaison de deux boutons

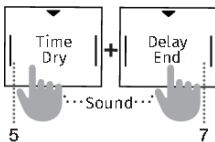


VERROUILLAGE (CHILD LOCK) —○

Le verrouillage enfant est une fonction de sécurité supplémentaire qui empêche les ouvertures accidentelles modifications apportées au programme, aux paramètres ou aux fonctions supplémentaires.

Pour activer ou désactiver le verrouillage enfant:

1. Appuyez et maintenez enfoncés les boutons **ANTI CREASE** et **TIME DRY** pendant au moins 3 secondes.
2. Suivez la même procédure pour désactiver.
 - Lorsque le verrouillage enfant est activé, les programmes, les paramètres et les fonctionnalités supplémentaires sont inaccessibles. Les fonctions ne peuvent pas être modifiées.
 - Le verrouillage enfant reste actif même après l'arrêt du sèche-linge.
 - Pour sélectionner un nouveau programme, le verrouillage enfant doit d'abord être désactivé.
 - Il peut être désactivé pendant le processus de séchage.



SON (SOUND OFF) 🔊x

Cette fonction vous permet de désactiver tous les sons de fonctionnement.

1. Appuyez et maintenez enfoncés les boutons **TIME DRY** et **DELAY END** pendant au moins 3 secondes.
2. Pour réactiver, suivez la même procédure.

Remarque: Lorsque le son est coupé, aucun signal sonore ne sera émis. Fin du programme de séchage.

💡 **INFORMATION!**

Après avoir débranché le sèche-linge du secteur, tous les réglages seront réinitialisés à leurs valeurs d'usine par défaut, à l'exception du volume du signal sonore, de la fonction anti-froissage et du verrouillage enfant.

💡 **INFORMATION!**

Les fonctions **VERROUILLAGE (CHILD LOCK)** et **SON (SOUND OFF)** ne peuvent pas être activées ou désactivées dans les 10 secondes suivant la mise sous tension.

Table des fonctions supplémentaires

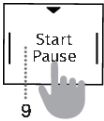
Programme	EXTRA SEC (NIVEAU DE SÈCHERESSE)	ANTI-PLIS (PRÉVENTION DES PLIS)	SÈCHAGE PROGRAMMÉ (SÈCHAGE A DUREE DETERMINEE)	FIN DIFFÉRÉE (DIFFÉRER LA FIN DU PROGRAMME DE SÈCHAGE)	SECHAGE ECOLOGIQUE (TEMPERATURE PLUS BASSE)
Extra sec (Placard sec)	•	•		•	
Normale	•	•		•	
FER A REPASSER HUMIDE (humide pour le repassage)	•	•		•	
Tissus Mélangés	•	•		•	•
Fer Humide Mélangé	•	•		•	
Laine					
Vêtements en Duvet	•	•		•	
Durée (Programme de séchage chronométré)		•	•		
Bébé (Vêtements pour bébés)	•	•		•	•
Articles délicats	•	•		•	•
Chemises - Infoissables	•	•		•	•
Vêtements de sport	•	•		•	•
Séchage rapide		•		•	
Soins des allergies	•	•			
Rafraîchissement de l'air					

- Des fonctions supplémentaires peuvent être utilisées.

Si votre linge n'est pas séché au niveau de séchage souhaité, utilisez des fonctions supplémentaires ou sélectionnez un programme plus adapté.

Étape 5: Démarrage du programme de séchage

Appuyez sur **START/PAUSE**.



Le temps restant jusqu'à la fin du programme ou l'heure **DELAY END** (si réglée) s'affiche à l'écran. Les voyants des fonctions sélectionnées s'allument.

Si la porte n'est pas correctement fermée, le temps restant clignote trois fois à l'écran et un signal sonore retentit.

Pour reprendre le programme de séchage, fermez correctement la porte, puis appuyez sur **START/PAUSE**.

Étape 6: Fin du programme de séchage

Lorsque le programme de séchage est terminé, [End] apparaîtra sur l'écran.

Deux voyants rouges s'allumeront, le voyant du bouton **START/PAUSE** clignotera et, si la fonction **ANTI CREASE** a été sélectionnée, son voyant clignotera également.

1. Ouvrez la porte du sèche-linge.
2. Nettoyez le filtre (voir **CLEAN**).
3. Retirez le linge du tambour.
4. Fermez la porte.
5. Mettez le sèche-linge en position **OFF** à l'aide du bouton sélecteur.
6. Débranchez le cordon d'alimentation de la prise.



INFORMATION!

Retirez le linge du sèche-linge pour éviter qu'il ne se froisse à la fin du programme de séchage.



AVERTISSEMENT!

Le cycle de séchage final comprend une étape de refroidissement sans chauffage. Cela permet de s'assurer que le linge atteint une température sûre en fin de programme et peut être retiré du sèche-linge sans risque de brûlure.

INTERRUPTIONS ET MODIFICATIONS DU PROGRAMME

Interruptions

Pour interrompre le déroulement du programme

Appuyez sur **START/PAUSE** pour mettre en pause ou reprendre un programme.

Pour interrompre le programme de séchage, maintenez le bouton **START/PAUSE** enfoncé pendant 3 secondes. Le programme sélectionné s'arrêtera et le sèche-linge commencera à refroidir. La durée du refroidissement dépend du programme sélectionné. Une fois cette opération terminée, vous pourrez sélectionner un nouveau programme de séchage.

Ouvrir la porte

Si la porte du sèche-linge est ouverte pendant le processus de séchage, le cycle de séchage sera interrompu. Lorsque la porte est fermée et que le bouton **START/PAUSE** est enfoncé, le séchage reprendra là où il s'était arrêté.



SURFACE CHAUDE !

La porte du sèche-linge chauffera pendant le séchage. Soyez prudent lorsque vous l'ouvrez afin d'éviter les brûlures.

Panne d'alimentation électrique

En cas de panne d'alimentation, [PF] apparaîtra sur l'écran et le voyant du bouton **START/PAUSE** clignotera.

Appuyez sur **START/PAUSE** pour reprendre le processus de séchage.

Changement de programme/fonctions

Éteignez le sèche-linge en tournant le sélecteur de programme sur la position **OFF**. Rallumez-le en tournant le sélecteur de programme sur n'importe quel programme.

Sélectionnez un autre programme/fonction et appuyez à nouveau sur **START/PAUSE**.

Ajouter du linge après le début du programme

Ouvrez la porte du sèche-linge et appuyez sur le bouton **START/PAUSE**. Insérez le linge et appuyez de nouveau sur **START/PAUSE**. Le temps de séchage peut être prolongé.



SURFACE CHAUDE!

Faites attention à ne pas vous brûler en ouvrant la porte du sèche-linge pour charger ou retirer le linge.

Enregistrement des paramètres personnels

Les paramètres initiaux peuvent être modifiés.

1. Sélectionnez le programme souhaité et les fonctions supplémentaires.
2. Appuyez sur **START/PAUSE** et maintenez-le enfoncé pendant 9 secondes pour enregistrer la combinaison.
 - Un voyant sur le bouton **START/PAUSE** et un signal sonore confirmeront la sélection et [saved] apparaîtra brièvement sur l'écran.
3. Appuyez sur **START/PAUSE** pour démarrer le processus de séchage.

La combinaison enregistrée s'affichera à chaque fois que le sèche-linge sera allumé. Pour modifier une combinaison précédemment enregistrée, répétez la même procédure.

AdaptTech

Lorsqu'un réglage de programme de séchage est utilisé trois fois de suite, ce réglage est enregistré comme réglage par défaut et sera toujours proposé lorsque vous sélectionnez ce programme de séchage – c'est ce qu'on appelle la fonction **ADAPTTECH**.

Si vous enregistrez manuellement les paramètres d'un programme de séchage, la fonction **ADAPTTECH** de ce programme est désactivée.

menu des paramètres personnels

1. Mettez le sèche-linge en marche en tournant le bouton de sélection du programme sur n'importe quelle position.
2. Appuyez et maintenez enfoncés les boutons **EXTRA DRY** et **TIME DRY** pendant 3 secondes pour ouvrir le menu Paramètres personnels.
 - Les témoins **ANTI CREASE** et **CLEAN THE FILTER** s'allument.
 - Le chiffre 1 s'affiche, indiquant la première fonction de réglage.
3. Tournez le sélecteur de programme vers la gauche ou la droite pour choisir la fonction:
 - 1 – Réglages sonores
 - 2 – Réinitialiser les paramètres personnels du programme aux valeurs d'usine
4. Appuyez sur **ANTI CREASE** pour confirmer la fonction et les paramètres sélectionnés.
5. Appuyez sur **EXTRA DRY** pour revenir à l'étape précédente.

Volume du signal acoustique

Le volume peut être réglé sur quatre niveaux:

- 0 – Son désactivé
- 1 – Son des boutons uniquement
- 2 – Volume faible
- 3 – Volume élevé

Tournez le bouton de sélection du programme pour choisir le volume souhaité.

Si aucune sélection n'est effectuée dans les 20 secondes, le menu reviendra automatiquement au menu principal.

Aperçu du nombre de cycles de séchage effectués

Le nombre de cycles de séchage effectués s'affiche pendant 3 secondes si vous débranchez le cordon d'alimentation, attendez 10 secondes, puis rebranchez-le. Après 3 secondes, l'appareil passe en mode veille.

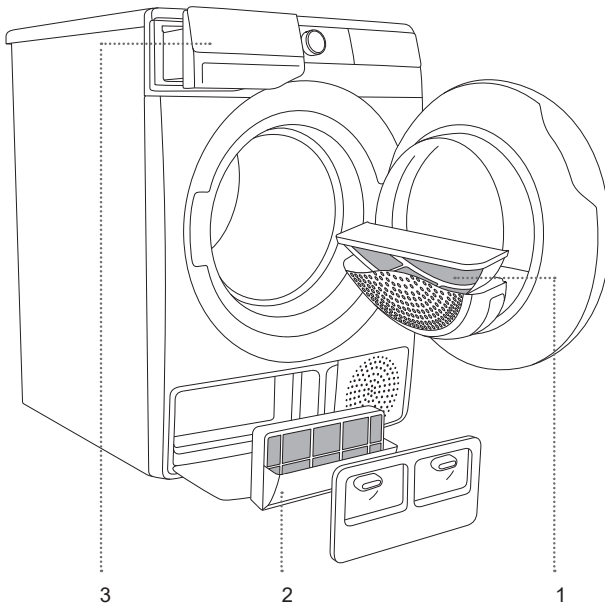
NETTOYAGE ET ENTRETIEN



CHOC ÉLECTRIQUE!

Avant de procéder au nettoyage, assurez-vous d'éteindre le sèche-linge et de le débrancher secteur (débranchez le cordon d'alimentation de la prise).

Le sèche-linge est équipé d'un système de filtration composé de plusieurs filtres qui empêchent toute impureté de pénétrer dans le système d'échangeur de chaleur.



- 1** Filtre réseau
- 2** Filtre de pompe à chaleur
- 3** Réservoir de condensats



INFORMATION!

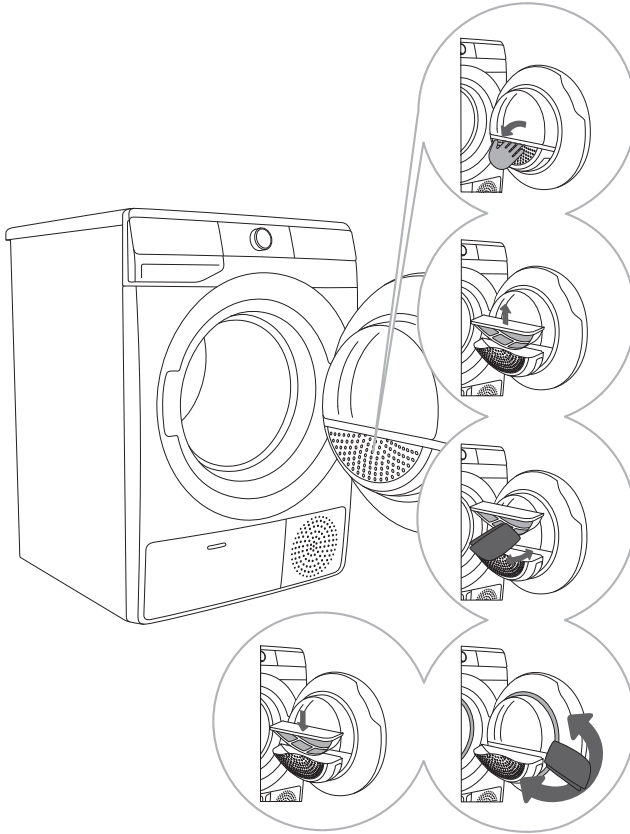
N'utilisez jamais le sèche-linge sans le filtre ou avec un filtre endommagé. Une accumulation excessive de peluches peut entraîner un dysfonctionnement ou une panne de l'appareil.

Nettoyage du filtre de la porte



INFORMATION!

Nettoyez le filtre après chaque cycle de séchage.



1 Ouvrez le boîtier du filtre.

2 Retirez le filtre à filet.

3 Grattez délicatement le filtre pour enlever les peluches, c'est-à-dire la couche de fibres et de fils, à la main ou avec un chiffon

4 Si nécessaire, nettoyez le joint du boîtier de filtre et celui de la porte également.

5 Insérez le filtre net et fermez le boîtier du filtre.



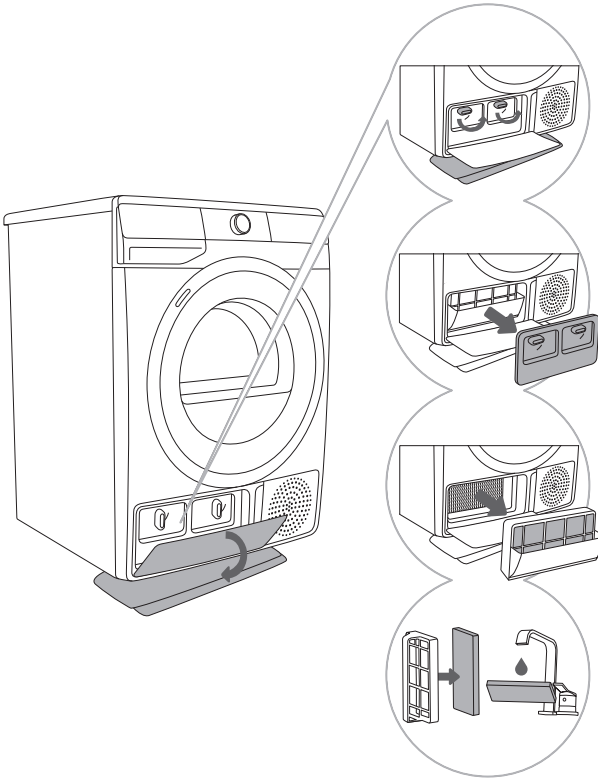
INFORMATION!

Manipulez le couvercle du filtre avec précaution pour éviter de vous pincer les doigts.

Nettoyage du filtre de la pompe à chaleur

INFORMATION!

Lors du nettoyage, il est possible que de l'eau s'écoule, il est donc recommandé de placer un chiffon absorbant sur la surface le sol.



- 1** Ouvrez le couvercle extérieur. Maintenez les leviers situés sur le couvercle intérieur et tournez. Tournez-les vers le haut. Retirez le couvercle intérieur.
- 2** Utilisez la poignée pour tirer et retirer le filtre de la pompe à chaleur.
- 3** Appuyez sur la partie en mousse de la filtre du boîtier. Utilisez un chiffon humide pour nettoyer le boîtier du filtre de la pompe à chaleur.
- 4** Lavez le filtre en mousse sous l'eau courante et à sec avant de le remplacer dans le boîtier de filtre.

INFORMATION!

Insérez le filtre en mousse de la pompe à chaleur dans le boîtier et fermez le couvercle extérieur (poussez-le vers le haut, en direction de la machine, jusqu'à ce qu'il s'enclenche).

INFORMATION!

Le filtre de la pompe à chaleur doit être correctement inséré dans son logement. Dans le cas contraire, l'échangeur de chaleur installé à l'intérieur du sèche-linge risque d'être obstrué ou endommagé.

INFORMATION!

Nettoyez le filtre en mousse après au moins cinq cycles de séchage.

Nettoyage de l'échangeur de chaleur



AVERTISSEMENT!

Ne touchez pas les pièces métalliques internes de l'échangeur de chaleur à mains nues. Risque de blessure au niveau des parties coupantes. Portez des gants de protection appropriés lors du nettoyage de l'échangeur de chaleur.



AVERTISSEMENT!

Un nettoyage incorrect des ailettes métalliques de l'échangeur de chaleur peut endommager irrémédiablement le sèche-linge. N'appuyez pas sur les ailettes métalliques avec des objets durs, comme par exemple le tuyau en plastique d'un aspirateur.

La poussière et les saletés présentes sur les ailettes métalliques de l'échangeur de chaleur peuvent être nettoyées à l'aide d'un aspirateur muni d'une brosse douce.

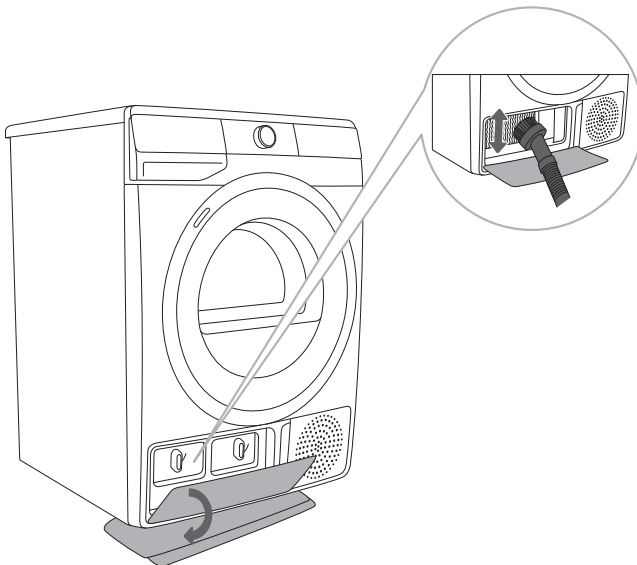
L'échangeur de chaleur est accessible une fois le filtre de la pompe à chaleur retiré. (voir « nettoyage du filtre de la pompe à chaleur »).

Déplacez délicatement la brosse dans le sens des ailettes métalliques, de haut en bas, sans exercer de pression. Une force excessive risque de tordre ou d'endommager les ailettes de l'échangeur de chaleur.



INFORMATION!

Nous vous recommandons de nettoyer l'échangeur de chaleur au moins tous les douze mois.




Vidange du réservoir de condensats

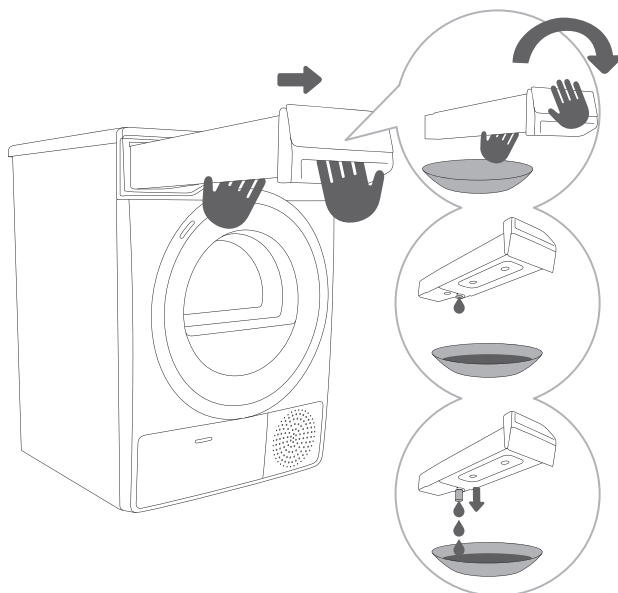


INFORMATION!

Vider le réservoir de condensats après chaque cycle de séchage.

Si le réservoir de condensats est plein, le programme se mettra automatiquement en pause.

Le  symbole s'allumera sur l'écran, indiquant que le réservoir de condensats doit être vidé.



1 Retirez le condensat réservoir du sèche-linge (en utilisant les deux mains comme indiqué sur (la figure), puis retournez-la au-dessus d'un lavabo, d'un évier ou de tout autre récipient approprié.

2,3

Vider le réservoir de condensats. Tirez sur le bec verseur pour faciliter la vidange. Remplacer le condensat réservoir.



INFORMATION!

L'eau du réservoir de condensation n'est pas potable. Elle peut être utilisée pour le repassage après avoir été soigneusement filtrée.



AVERTISSEMENT!

N'ajoutez jamais de produits chimiques ni de parfums dans le réservoir de condensats.

Il n'est pas nécessaire de vider le réservoir de condensats si le tuyau d'évacuation est raccordé directement à un drain. (voir INSTALLATION ET RACCORDEMENT/Évacuation des condensats).

Nettoyage du sèche-linge



CHOC ÉLECTRIQUE !

Débranchez toujours le sèche-linge du secteur avant de le nettoyer.

Nettoyez l'extérieur du sèche-linge à l'aide d'un chiffon doux en coton humide.



AVERTISSEMENT!

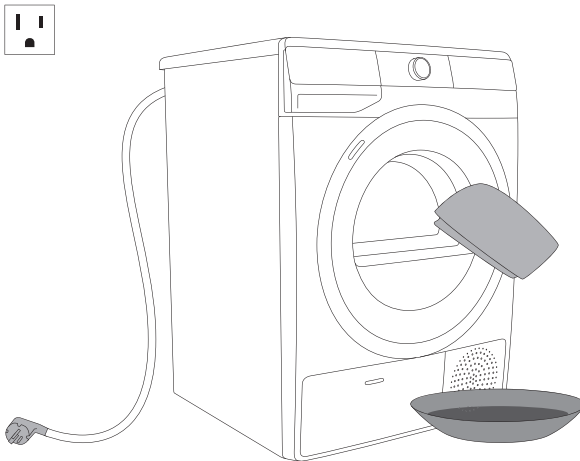
N'utilisez aucun solvant ni produit de nettoyage susceptible d'endommager le sèche-linge (suivez les recommandations et les avertissements fournis par les fabricants des produits de nettoyage).

Essayez toutes les parties du sèche-linge avec un chiffon doux jusqu'à ce qu'elles soient sèches.



INFORMATION!

Ne nettoyez pas le sèche-linge avec un jet d'eau !



CONSEILS POUR UN SÉCHAGE ET UNE UTILISATION ÉCONOMIQUE DE VOTRE SÉCHOIR

La méthode de séchage la plus économique consiste à sécher la quantité de linge recommandée à chaque fois (voir TABLEAU DES PROGRAMMES).

Le séchage en machine du linge confectionné dans des tissus particulièrement délicats susceptibles de se déformer n'est pas recommandé.

L'utilisation d'adoucissant n'est pas nécessaire au lavage, car le linge est doux et souple après séchage. Le temps de séchage sera plus court et la consommation d'énergie moindre si les vêtements sont bien essorés avant le séchage. En choisissant le programme de séchage approprié, vous éviterez de trop sécher votre linge et les problèmes de repassage ou de rétrécissement des tissus.

Un nettoyage régulier des filtres permettra d'optimiser le temps de séchage et de minimiser la consommation d'énergie.

Lors du séchage de petites quantités de linge ou de vêtements individuels, le capteur peut ne pas détecter le taux d'humidité réel. Dans ce cas, il est recommandé d'utiliser les programmes de séchage en machine ou le programme de séchage programmé pour les petites quantités de linge.

Mode veille faible

Si vous ne lancez aucun programme ou ne choisissez aucun réglage après avoir allumé le sèche-linge (bouton de sélection de programme), l'unité d'affichage s'éteindra au bout de 5 minutes et passera en mode veille afin d'économiser de l'énergie.

L'écran peut être réactivé en tournant le sélecteur de programme. Si vous ne faites rien pendant 5 minutes après la fin d'un programme, l'écran s'éteindra pour économiser l'énergie.

P_o = puissance pondérée à l'arrêt [W]	< 0,5
P_I = puissance pondérée en veille [W]	< 0,5
T_I = temps de veille [min]	5,00



INFORMATION!

Une tension secteur faible et des charges de séchage différentes peuvent affecter le temps de séchage; le reste Le temps affiché est ajusté en conséquence pendant le processus de séchage.

DÉPANNAGE

Des perturbations environnementales (par exemple, du réseau électrique) peuvent entraîner divers rapports d'erreur (voir le TABLEAU DE DÉPANNAGE). Dans ce cas :

- Éteignez le sèche-linge et attendez au moins une minute.
- Rallumez le sèche-linge et relancez le programme de séchage.
- La plupart des erreurs de fonctionnement peuvent être résolues par l'utilisateur (voir le TABLEAU DE DÉPANNAGE).
- Si l'erreur persiste, contactez un technicien agréé.
- Les réparations doivent être effectuées uniquement par un technicien qualifié.
- La garantie ne couvre pas les réparations ni les demandes de prise en charge au titre de la garantie résultant d'un branchement ou d'une utilisation incorrects du sèche-linge. Dans ce cas, les frais de réparation sont à la charge de l'utilisateur.




Problème/Erreur	Cause	Ce qu'il faut faire?
La machine ne démarre pas.	<ul style="list-style-type: none"> • L'interrupteur principal est non allumé. 	<ul style="list-style-type: none"> • Vérifiez si l'interrupteur principal est sur.
	<ul style="list-style-type: none"> • Il n'y a pas de tension dans la prise de courant 	<ul style="list-style-type: none"> • Vérifiez le fusible. • Vérifiez si la prise du cordon d'alimentation est correctement insérée dans la prise de courant
Il y a bien du courant dans la prise, mais le tambour ne tourne pas et l'appareil ne fonctionne pas.	<ul style="list-style-type: none"> • Ouvrez la porte. 	<ul style="list-style-type: none"> • Vérifiez que la porte est bien fermée.
	<ul style="list-style-type: none"> • Le réservoir de condensats est plein. 	<ul style="list-style-type: none"> • Vidangez le réservoir de condensats (voir NETTOYAGE ET ENTRETIEN/ Vidange du réservoir de condensats).
	<ul style="list-style-type: none"> • Il est possible que la fonction DELAY END ait été activée. • Le programme n'a pas été lancé conformément aux instructions. 	<ul style="list-style-type: none"> • Pour désactiver l'option de délai de démarrage, maintenez la touche DELAY END enfoncée pendant 3 secondes. • Relisez attentivement le mode d'emploi.
L'appareil cesse complètement de chauffer pendant un programme.	<ul style="list-style-type: none"> • Le filtre net peut être obstrué. Par conséquent, la température à l'intérieur du sèche-linge augmente, ce qui provoque une surchauffe et donc l'arrêt du chauffage. 	<ul style="list-style-type: none"> • Nettoyez le filtre (voir NETTOYAGE) ET ENTRETIEN/Nettoyage du filtre de la porte). • Attendez que l'appareil refroidisse, essayez de le faire fonctionner à nouveau. Si le sèche-linge ne démarre toujours pas, appelez un technicien.
Un léger bruit de choc se fait entendre.	<ul style="list-style-type: none"> • Si le sèche-linge reste inutilisé pendant une longue période, les éléments de support sont soumis à des contraintes au même point. 	<ul style="list-style-type: none"> • Le bruit va diminuer sans aucune intervention.
La porte s'ouvre pendant le séchage.	<ul style="list-style-type: none"> • Surcharge excessive sur le porte (trop de linge dans le tambour). 	<ul style="list-style-type: none"> • Réduisez la quantité de lessive

Problème/Erreur	Cause	Ce qu'il faut faire?
Séchage irrégulier lessive	<ul style="list-style-type: none"> • Du linge de types et d'épaisseurs variés, ou une quantité excessive de linge. 	<ul style="list-style-type: none"> • Assurez-vous d'avoir trié le linge par type et par épaisseur, d'avoir mis une quantité de linge appropriée dans le tambour et d'avoir sélectionné un programme adapté (voir le tableau des programmes).
Lavage non séché ou séchage ça prend trop de temps.	<ul style="list-style-type: none"> • Les filtres ne sont pas propres. 	<ul style="list-style-type: none"> • Nettoyez les filtres (voir la section NETTOYAGE ET ENTRETIEN).
	<ul style="list-style-type: none"> • Le sèche-linge est placé dans un espace fermé chambre ; chambre trop froide ; ou une pièce trop petite et l'air surchauffe comme un résultat. 	<ul style="list-style-type: none"> • Assurez-vous que le sèche-linge bénéficie d'une aération suffisante ; par exemple, ouvrez la porte et/ou la fenêtre. • Vérifiez si la température de la pièce où est installé le sèche-linge est trop élevée ou trop basse.
	<ul style="list-style-type: none"> • Le linge n'avait pas été suffisamment essoré. 	<ul style="list-style-type: none"> • Si le linge est encore humide après le cycle de séchage, répétez l'opération et sélectionnez un programme de séchage approprié (après avoir nettoyé les filtres).
	<ul style="list-style-type: none"> • La quantité de linge séché dans l'appareil est trop importante ou insuffisante. 	<ul style="list-style-type: none"> • Utilisez un programme approprié ou des fonctions supplémentaires.
	<ul style="list-style-type: none"> • Le linge (comme les draps) s'emmêle et forme de grosses boules. 	<ul style="list-style-type: none"> • Fermez les boutons ou les fermetures éclair du linge avant le séchage. • Après le séchage, défroissez le linge et sélectionnez un programme de séchage supplémentaire (par exemple, Séchage minuté).
Éclairage du tambour erreur	<ul style="list-style-type: none"> • Aucun éclairage ne s'allume lorsque la porte du sèche-linge est ouverte. 	<ul style="list-style-type: none"> • Débranchez le sèche-linge du secteur et contactez un technicien agréé.

Les erreurs affichées sur l'écran peuvent inclure les éléments suivants:

Problème/Erreur	Indication sur l'écran et description de l'erreur.	Ce qu'il faut faire?
E:00	Défaillance de l'unité de commande	Appelez le service client.
E:01	Défaillance du capteur de température	Appelez le service client.
E:02	Défaillance du capteur de température	Appelez le service client.
E:03	Erreur de la pompe	Appelez le service client.
E:04	Surchauffe du système	Nettoyez les filtres. Consultez la section NETTOYAGE ET ENTRETIEN/Nettoyage du filtre à tamis dans la porte ou contactez un technicien de service
E:05	Défaillance de l'unité de contrôle	Débranchez le sèche-linge de l'alimentation électrique. Appelez le service après-vente.

Les avertissements affichés sur l'unité d'affichage peuvent inclure les éléments suivants:

Avertissement	Indication sur l'écran et description de l'avertissement	Ce qu'il faut faire?
[Full]	Indication sur l'écran et description de l'avertissement	Veillez vider le réservoir de condensation avant de reprendre le programme (voir NETTOYAGE ET ENTRETIEN/Vidange du réservoir de condensation).
[PF]	Avertissement de panne d'alimentation électrique	Le séchage a été interrompu en raison d'une panne de courant. Appuyez sur START/PAUSE pour redémarrer ou reprendre le programme de séchage.
	À la fin du programme de séchage, la mention [End] s'affichera sur l'écran. Deux symboles rouges ( et ) s'allumeront. Il ne s'agit pas d'un dysfonctionnement; c'est simplement un avertissement indiquant que les filtres doivent être nettoyés après le séchage.	Nettoyez les filtres et videz le réservoir de condensation.

Si après avoir consulté le tableau ci-dessus, vous avez encore besoin d'aide concernant votre appareil, veuillez contacter notre service client au **800-932-4267** (poste **513**) entre 9:00 AM et 5:00 PM (heure de l'Est) ou consultez le site www.summitappliance.com/support.
Nous ferons de notre mieux pour répondre à vos questions.

Pour commander des pièces de rechange, veuillez consulter notre site web: summitapplianceparts.com

Sons



INFORMATION!

Durant la phase initiale de séchage ou pendant le séchage, le compresseur et la pompe à chaleur peuvent émettre du bruit, ce qui n'affecte pas le fonctionnement du sèche-linge.

Bourdonnement: Produit par le compresseur. Le niveau sonore varie selon le programme et l'étape de séchage.

Bruit de roulement: Se produit occasionnellement lorsque le compresseur est ventilé.

Pompage: La pompe transfère le condensat dans le réservoir de condensat.

Clic: Provoqué par le nettoyage automatique de l'échangeur de chaleur (compresseur).

Bruit de cliquetis: Peut se faire entendre pendant le séchage si le linge contient des éléments durs tels que des boutons ou des fermetures éclair.



AVERTISSEMENT!

En cas de panne, utilisez uniquement des pièces de rechange homologuées par des fabricants agréés.



AVERTISSEMENT!

Les réparations ou toute réclamation au titre de la garantie résultant d'un branchement ou d'une utilisation incorrects du sèche-linge ne sont pas couvertes par la garantie. Dans ce cas, les frais de réparation sont à la charge de l'utilisateur.



INFORMATION!

La garantie ne couvre pas les erreurs ou les pannes résultant de perturbations environnementales (foudre, pannes du réseau électrique, catastrophes naturelles, etc.).

ÉLIMINATION



L'emballage est fabriqué à partir de matériaux respectueux de l'environnement qui peuvent être recyclés, éliminés ou détruits sans aucun risque pour l'environnement. À cette fin, ils sont étiquetés en conséquence.

Le symbole apposé sur le produit ou son emballage indique que le produit ne doit pas être traité comme un déchet ménager ordinaire. Apportez le produit à un centre de collecte agréé pour les déchets d'équipements électriques et électroniques traitement.

Lors de la **mise au rebut** du sèche-linge en fin de vie, retirez toute source d'alimentation les cordons, et détruisez le loquet et l'interrupteur de la porte pour empêcher la porte de verrouillage ou loquet (sécurité enfant).

L'élimination correcte du produit contribuera à prévenir tout effet négatif sur l'environnement et la santé des personnes pourraient être affectés en cas de retrait incorrect du produit. Pour des informations détaillées sur le retrait et le traitement du si vous avez des questions concernant ce produit, veuillez contacter le service municipal compétent en matière de gestion des déchets, votre service de collecte des déchets ou le magasin où vous l'avez acheté produit.

NOTES

GARANTIE LIMITÉE

GARANTIE LIMITÉE D'UN AN

La couverture de garantie est disponible dans les 48 États continentaux des États-Unis, ainsi que dans certaines régions de l'Alaska, d'Hawaï et du Canada. Pour les endroits non couverts, les consommateurs peuvent soit contacter un fournisseur local, soit coordonner avec Felix Storch, Inc. afin de trouver des options de service à proximité, lesquelles peuvent donner droit à un remboursement partiel.

La garantie de cet appareil est valable pendant un an à compter de la date d'achat, à condition que l'appareil soit utilisé et entretenu conformément aux instructions fournies avec le produit. Le garant prendra en charge le coût des pièces d'origine spécifiées par l'usine et de la main-d'œuvre nécessaire pour corriger les défauts de matériaux ou de fabrication. Le service doit être effectué par une entreprise de service désignée.

Toutes les pièces, sauf le compresseur, sont garanties pendant un an contre les défauts de fabrication. Les pièces en plastique, les étagères et les armoires sont fabriquées selon des normes commerciales acceptables, mais ne sont pas couvertes en cas de dommages subis lors de la manipulation ou de bris.

ÉLÉMENTS NON COUVERTS PAR LE GARANT:

1. Les appels de service visant à corriger l'installation de votre appareil, à vous expliquer son utilisation, à remplacer ou réparer des fusibles ou à corriger le câblage ou la plomberie.
2. Les appels de service pour réparer ou remplacer les ampoules de l'appareil ou les étagères cassées. Les pièces consommables (comme les filtres) sont exclues de la couverture de garantie.
3. Les dommages résultant d'un accident, d'une modification, d'une mauvaise utilisation, d'un abus, d'un incendie, d'une inondation, de catastrophes naturelles, d'une installation incorrecte, d'une installation non conforme aux codes électriques ou de plomberie, ou de l'utilisation de produits non approuvés par le garant.
4. Les pièces de rechange ou les coûts de main-d'œuvre pour des appareils utilisés en dehors des 48 États continentaux des États-Unis, ainsi que dans certaines régions de l'Alaska, d'Hawaï et du Canada.
5. Les réparations de pièces ou de systèmes résultant de modifications non autorisées apportées à l'appareil.
6. Les frais de déplacement et de transport pour le service du produit dans des endroits éloignés.
7. Le retrait et la réinstallation de votre appareil s'il est installé dans un endroit inaccessible ou non installé conformément aux instructions d'installation publiées.

EXONÉRATION DE GARANTIES IMPLICITES ; LIMITATION DES RECOURS

LE SEUL ET UNIQUE RECOURS DU CLIENT EN VERTU DE LA PRÉSENTE GARANTIE LIMITÉE CONSISTE EN LA RÉPARATION DU PRODUIT TELLE QUE PRÉVUE CI-DESSUS. LES GARANTIES IMPLICITES, Y COMPRIS LES GARANTIES DE QUALITÉ MARCHANDE OU D'APTITUDE À UN USAGE PARTICULIER, SONT LIMITÉES À UNE DURÉE D'UN AN. LE GARANT NE SERA PAS RESPONSABLE DES DOMMAGES INDIRECTS OU CONSÉCUTIFS. CERTAINS ÉTATS N'AUTORISENT PAS L'EXCLUSION OU LA LIMITATION DES DOMMAGES INDIRECTS OU CONSÉCUTIFS, NI LES LIMITATIONS DE DURÉE DES GARANTIES IMPLICITES DE QUALITÉ MARCHANDE OU D'APTITUDE, DE SORTE QUE CES EXCLUSIONS OU LIMITATIONS PEUVENT NE PAS S'APPLIQUER À VOUS. CETTE GARANTIE VOUS CONFÈRE DES DROITS LÉGAUX SPÉCIFIQUES, ET VOUS POUVEZ ÉGALEMENT BÉNÉFICIER D'AUTRES DROITS QUI VARIENT SELON L'ÉTAT.



AVERTISSEMENT : Ce produit peut vous exposer à des produits chimiques, y compris le Nickel (Métallique) qui est connu dans l'État de Californie pour provoquer le cancer.

Pour plus d'informations, rendez-vous sur www.P65Warnings.ca.gov

Remarque: Le Nickel est un composant de tout l'acier inoxydable et de certaines autres compositions Métalliques



Felix Storch, Inc.
An ISO 9001:2015 registered company
770 Garrison Ave
Bronx, New York 10474
www.summitappliance.com

Revised: 2026-04-08