



# COMBINATION REFRIGERATOR-FREEZER WITH ALLERGY-FREE ZONE



**Model: AZRF7W**

## ***User Manual***

**BEFORE USE, PLEASE READ AND FOLLOW ALL SAFETY RULES AND OPERATING INSTRUCTIONS**

*Write Model & Serial Nos. here:*

*Model No.* \_\_\_\_\_

*Serial No.* \_\_\_\_\_

**FELIX STORCH, INC.**  
An ISO 9001:2015 registered company  
770 Garrison Avenue  
Bronx, NY 10474  
[www.accucold.com](http://www.accucold.com)

# TABLE OF CONTENTS

<b><i>Important Safeguards</i></b>	<b>3-4</b>
<b><i>Location of Parts</i></b>	<b>5</b>
<b><i>Technical Information</i></b>	<b>6</b>
<b><i>Installation Instructions</i></b>	<b>7-10</b>
<i>Before Using your Appliance</i>	7
<i>Installing your Appliance</i>	7-8
<i>Electrical Connection</i>	8
<i>Reversing the Door Swing of the Lower Unit (FF71ES)</i>	9-10
<b><i>Operating your Appliance</i></b>	<b>11</b>
<b><i>Care and Maintenance</i></b>	<b>11-12</b>
<b><i>Troubleshooting</i></b>	<b>13</b>
<b><i>Limited Warranty</i></b>	<b>16</b>

# IMPORTANT SAFEGUARDS

Your safety and the safety of others are very important.

We have provided many important safety messages in this manual and on your appliance. Always read and obey all safety messages.



This is the Safety Alert Symbol. This symbol alerts you to potential hazards that can kill or injure you and others. All safety messages will follow the Safety Alert Symbol and either the words DANGER or WARNING.



DANGER means that failure to heed this safety statement may result in severe personal injury or death.



WARNING means that failure to heed this safety statement may result in extensive product damage, serious personal injury, or death.

Safety messages will alert you to what the potential hazard is, tell you how to reduce the chance of injury, and let you know what can happen if the instructions are not followed.



Before the refrigerator is used, it must be properly positioned and installed as described in this manual, so read the manual carefully. To reduce the risk of fire, electrical shock or injury when using the refrigerator, follow basic precautions, including the following:



- Plug into a grounded 3-prong outlet. Do not remove grounding prong, do not use an adapter, and do not use an extension cord.
- It is recommended that a separate circuit, serving only your refrigerator, be provided.
- Use receptacles that cannot be turned off by a switch or pull chain.
- Never clean the refrigerator parts with flammable fluids. These fumes can create a fire hazard or explosion. And do not store gasoline or other flammable vapors and liquids in the vicinity of this or any other appliance. The fumes can create a fire hazard or explosion.
- Before proceeding with cleaning and maintenance operations, make sure the power line of the unit is disconnected.
- Do not connect or disconnect the electric plug when your hands are wet.
- Unplug the refrigerator or disconnect the power before cleaning or servicing. Failure to do so can result in electrical shock or death.
- Do not attempt to repair or replace any part of your refrigerator unless it is specifically recommended in this manual. All other servicing should be referred to a qualified technician.
- The FFAR23L is CFC- and HFC-free and contains small quantities of Isobutane (R600a), which is environmentally friendly, but flammable. It does not damage the ozone layer, nor does it increase the greenhouse effect. Care must be taken during transportation and setting up of the appliance that no parts of the cooling system are damaged. Leaking coolant can ignite and may damage the eyes.

- In the event of any damage:
  - Avoid open flames and anything that creates a spark,
  - Disconnect from the electrical power line,
  - Air the room in which the appliance is located for several minutes, and
  - Contact the Service Department for advice.
- The more coolant there is in an appliance, the larger the room it should be installed in. In the event of a leakage, if the appliance is in a small room, there is the danger of combustible gases building up. For every ounce of coolant at least 325 cubic feet of room space is required. The amount of coolant in the appliance is stated on the data plate on the back of the appliance. It is hazardous for anyone other than an authorized Service Person to carry out servicing or repairs to this appliance.
- Take serious care when handling, moving, and using the appliance to avoid either damaging the refrigerant tubing or increasing the risk of a leak.
- Replacing component parts and servicing shall be done by factory authorized service personnel so as to minimize the risk of possible ignition due to incorrect parts or improper service.

 **WARNING**

- Use two or more people to move and install the refrigerator. Failure to do so can result in back or other injury.
- To ensure proper ventilation for your refrigerator, the front of the unit must be completely unobstructed. Choose a well-ventilated area with temperatures above 60° F (16° C) and below 90° F (32° C). This unit must be installed in an area protected from the elements, such as wind, rain, water spray or drips.
- The refrigerator should not be located next to ovens, grills or other sources of high heat.
- The refrigerator must be installed with all electrical connections in accordance with state and local codes. A standard electrical supply (115V AC only, 60 Hz), properly grounded in accordance with the National Electrical Code and local codes and ordinances, is required.
- Do not kink or pinch the power supply cord of the refrigerator.
- The fuse (or circuit breaker) size should be 15 amperes.
- It is important for the refrigerator to be leveled in order to work properly. You may need to make several adjustments to level it.
- Never allow children to operate, play with or crawl inside the refrigerator.
- Do not use solvent-based cleaning agents or abrasives on the interior. These cleaners may damage or discolor the interior.
- Do not use this apparatus for other than its intended purpose.

 **DANGER** 

***Risk of child entrapment***

Child entrapment and suffocation are not problems of the past. Junked or abandoned refrigerators are still dangerous, even if they will “just sit in the garage a few days.”

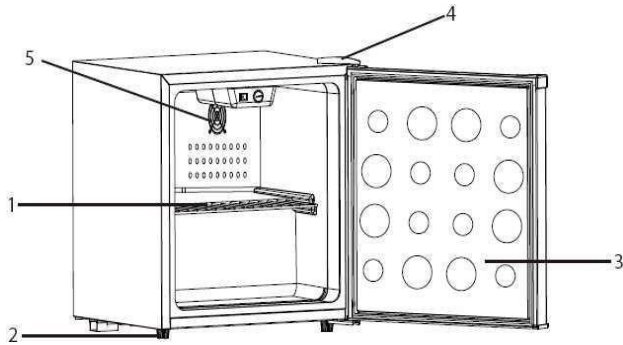
- Before you throw away your old refrigerator: Take off the doors. Leave the shelves in place so that children may not easily climb inside.
- Never allow children to operate, play with, or crawl inside the refrigerator.

**- SAVE THESE INSTRUCTIONS -**



# LOCATION OF PARTS

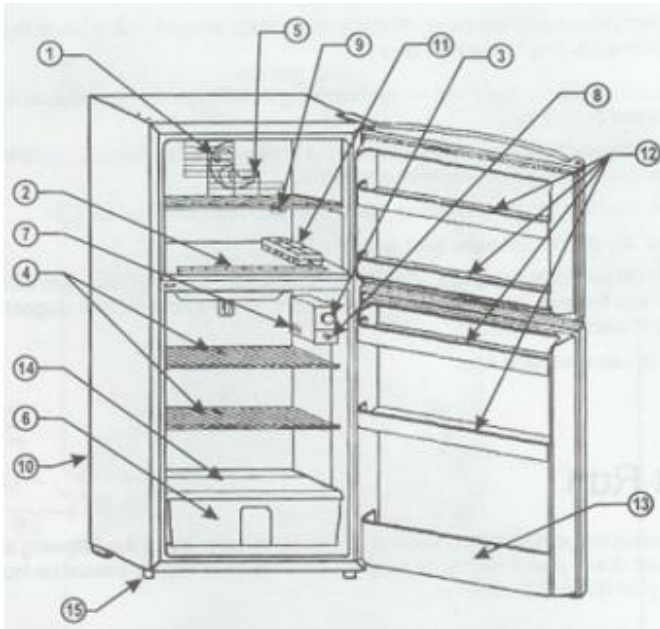
## FFAR23L (Upper Refrigerator)



Item	Part Name
1	Shelf
2	Adjustable foot
3	Door
4	Hinge
5	Fan

*This unit has a lock located on the front of the door*

## FF71ES (Lower Refrigerator-Freezer)



1. Discharge air outlet
2. Suction inlet
3. Temperature control
4. Plastic-coated shelves
5. Freezer shelf
6. Vegetable crisper
7. Interior light
8. Light switch
9. Freezer temperature control
10. Evaporating tray (not shown)
11. Ice cube tray
12. Upper door rack
13. Bottom door rack
14. Glass shelf
15. Adjustable legs

# TECHNICAL INFORMATION

## FFAR23L (Upper Refrigerator)

<b>Model</b>	FFAR23L
<b>Capacity</b>	1.7 cubic feet
<b>Electrical Input</b>	115V AC / 60Hz
<b>Rated Current</b>	1.0A
<b>Refrigerant</b>	R600a, 0.57oz
<b>Installation</b>	Free-standing
<b>Unit Weight</b>	35.2 lbs.
<b>Unit Dimensions</b>	18.9" W x 17.7" D x 20.6" H

**NOTE:** This unit is designed to be used as an allergy-free zone. It features a lock and two keys for safe and secure storage. Included additionally are nine magnets (specifying no storage of fish, shellfish, peanuts, tree nuts, gluten, dairy, wheat, soy, and eggs), which can be used to designate which items should not be stored inside.

## FF71ES (Lower Refrigerator-Freezer)

<b>Model</b>	FF71ES
<b>Type</b>	Compact Refrigerator-Freezer
<b>Capacity</b>	4.8 cubic feet
<b>Electrical Input</b>	115V AC / 60Hz
<b>Energy Consumption</b>	346 kWh/yr.
<b>Energy-Star Approved</b>	Yes
<b>Refrigerant</b>	R134a, 2.8oz.
<b>Installation</b>	Free-standing
<b>Unit Weight</b>	102 lbs.
<b>Unit Dimensions</b>	18.75" W x 23" D x 45" H

- The total height of this unit is 67 ½".
- The total weight of this unit is 143 pounds.

# INSTALLATION INSTRUCTIONS

## Before Using your Appliance

- Remove the exterior and interior packaging
- Check to be sure the refrigerator-freezer shelves in the FF71ES are installed and that the strips of tape holding them in place have been removed.
- Check to be sure the FFAR23L has the following parts included:
  - 1 water drip tray
  - 1 removable shelf
  - 2 keys
- Before connecting the appliance to the power source, let it stand upright for at least 2 hours. This will reduce the possibility of a malfunction in the cooling system from handling during transportation.
- Clean the interior surfaces with lukewarm water using a soft cloth. Any plastic odor that you notice when you first open the doors will dissipate once the appliance is operating.

## Installing your Appliance

- This appliance is designed to be free-standing only, and should not be recessed or built-in.
- Place your appliance on a floor that is strong enough to support it when it is fully loaded. Be sure the appliance is level. (Level your refrigerator- freezer by adjusting the legs at the front.)
- Allow at least 4" of clearance at the sides and the top, and 5" between the back of the unit and the wall behind, which allows the proper air circulation to cool the compressor. This improves cooling efficiency and saves energy.
- Do not cover the top of the unit with a mat or cloth. This will help maintain the operating efficiency of the appliance.
- Locate the refrigerator away from direct sunlight and sources of heat (stove, heater, radiator, etc.). Direct sunlight may affect the acrylic coating and heat sources may increase electrical consumption. Extremely cold ambient temperatures may also cause the refrigerator to perform improperly.
- Avoid locating the refrigerator in moist areas.
- This refrigerator-freezer is equipped with a three-prong plug and is grounded to eliminate electrical hazards. In order to make it effective, the unit must be plugged into a grounded electrical outlet.
- Do not use an extension cord.
- After plugging the appliance into a wall outlet, allow the unit to cool down for 2 to 3 hours before placing food inside.

## **Test Run**

Before using the FF71ES refrigerator-freezer, clean it and perform a test run to see if the following steps can be completed. If not, check the electrical supply. If the cause of trouble cannot be located, contact your Summit dealer.

1. Set the Temperature Control Knob to the OFF position and then plug the AC cord into an electrical outlet of 115 volts, 60 Hz. The motor should not run.

2. Set the Temperature Control Knob at the MAX position and let the unit operate for 20 minutes. The freezer compartment should get slightly frosted, and the motor should run smoothly with a soft hum.
3. Rotate the Temperature Control Knob counterclockwise toward the MIN position. Before the pointer of the knob reaches the MIN position, the motor should turn off.

**NOTE:** This appliance is equipped with a special Thermostat Control Device. If the unit is turned off or unplugged, YOU MUST ALLOW THREE (3) MINUTES BEFORE RESTARTING OR REPLUGGING THE UNIT. The unit will not start if you attempt to restart it in less than three minutes.

## Electrical Connection



Improper use of the grounded plug can result in the risk of electrical shock. If the power cord is damaged, have it replaced by an authorized service center.

This unit should be properly grounded for your safety. The power cord of this unit is equipped with a three-prong plug which mates with a standard three-prong wall outlet to minimize the possibility of electrical shock.

Do not under any circumstances cut or remove the third ground prong from the power cord supplied. For personal safety, this appliance must be properly grounded.

This unit requires a standard 115-volt AC/60Hz electrical outlet with three-prong ground. Have the wall outlet and circuit checked by a qualified electrician to make sure the outlet is properly grounded. When a standard 2-prong wall outlet is encountered, it is your responsibility and obligation to have it replaced with a properly grounded 3-prong wall outlet.

To prevent accidental injury, the cord should be secured behind the unit and not left exposed or dangling.

The unit should always be plugged into its own individual electrical outlet which has a voltage rating that matches the rating label on the appliance. This provides the best performance and also prevents overloading house wiring circuits that could cause a fire hazard from overheated wires. Never unplug the unit by pulling on the power cord.

Always grip the plug firmly and pull straight out from the receptacle. Repair or replace immediately any power cord that has become frayed or otherwise damaged. Do not use a cord that shows cracks or abrasion damage along its length or at either end. When moving the unit, be careful not to damage the power cord.

### **Extension Cord**

Do not use an extension cord with this appliance. If the power cord is too short, have a qualified electrician or service technician install an outlet near the appliance.

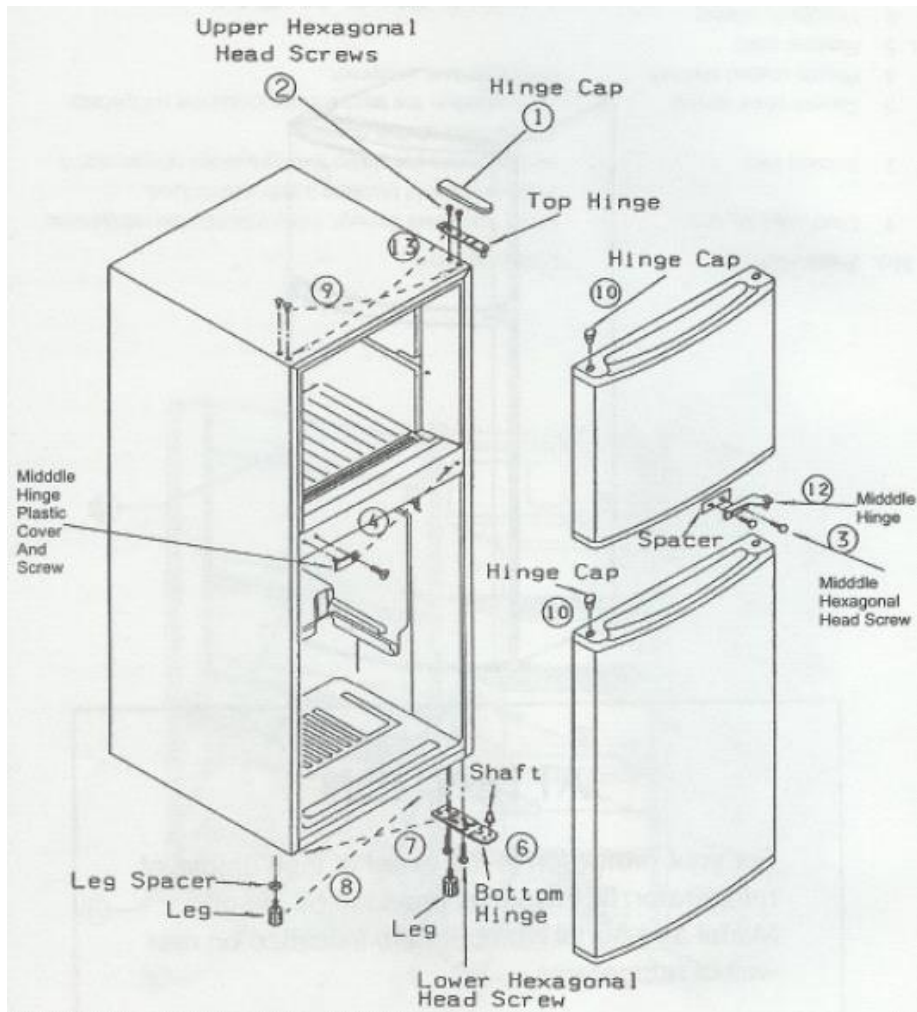
## Reversing the Door Swing of the Lower Unit (FF71ES)

The doors of the FF71ES refrigerator-freezer can be hinged on either side so that the door swing can be suited to the location of the installation.

Tools Required:

- Standard screwdriver
- Large Phillips head screwdriver
- Socket wrench (3/8")

In order to reverse the position of the door hinges, refer to the disassembly diagram below, and follow this procedure:



1. Remove the hinge cap by twisting it off.
2. Remove the upper hexagonal-head screws. The top hinge and the freezer door can now be removed.
3. Remove the middle hexagonal screws. The middle hinge and the refrigerator door can now be removed.
4. Remove the cover for the middle hinge holes and re-attach it symmetrically to the holes on the other side.

5. Tilt the refrigerator back or lay it on its back for steps 6, 7 and 8. Use a pad or blanket to protect the floor and to avoid scratching the painted finish.
6. Remove the leveling legs by turning them counterclockwise. Remove the lower hexagonal-head screws, two on the hinge side and one near the front corner of the other side.
7. Attach the bottom hinge symmetrically to the other side of the cabinet with the screws removed in Step 6. (Do not tighten screws completely.)
8. Attach the left side leg and the leg spacer to the other side hole which was positioned symmetrically.
9. Remove the upper hinge plastic pins and insert them in the holes from which the screws were removed in Step 2.
10. Take off the hinge collar caps from both the freezer and refrigerator doors using a screwdriver and insert them in the hinge collar on the opposite side.
11. Attach the shaft to the hinge bottom. Attach the refrigerator door to the shaft.
12. Rotate the middle hinge 180°. Attach it to the refrigerator door and secure it with screws. (Do not tighten screws completely.)
13. Attach the upper hinge to the freezer door. Attach the freezer door to the middle hinge and use the screws to attach the upper hinge. (Do not tighten screws completely.)
14. The direction in which the doors open has now been changed; however, the following points should be checked:
  - a. Make sure the doors are on straight.
  - b. Make sure there is no space between the door gaskets and the refrigerator and freezer units themselves when the doors are closed.
  - c. Make sure that the gasket on the hinge side is not caught between the door and the unit when the door is opened or closed. (If the door is forced closed when the gasket is caught, the gasket might be damaged.)
  - d. When checking the above points, if it is discovered that the doors are not installed properly (this is apt to happen on the first try), loosen the screws holding the upper hinge, straighten the door and tighten the screws slowly with the socket wrench. After making sure that the doors are installed correctly, tighten all the screws holding the hinge. If they are not tightened, the doors may slip out of position or there may be an opening between the doors and the unit.
15. Stand the unit back in the upright position.

**NOTE:** The door of the top unit (FFAR23L) cannot be reversed.

# OPERATING YOUR APPLIANCE

## Temperature Control

- The appliance temperature can be regulated by adjusting the Temperature Control Knob. The closer to the MAX position the control knob is set by rotating it clockwise, the lower the refrigerator temperature becomes.
- Refrigerator temperature will vary depending on the quantity of food stored and on the frequency with which the door is opened. Set the Temperature Control Knob at the MAX position only when ice cubes are needed in a hurry.
- This appliance may turn on and off more frequently than regular size refrigerators. This is normal because of its compactness.
- The middle or "NORMAL" position should be appropriate for most uses.

## Defrosting

This appliance defrosts automatically.

**NOTE:** If the appliance is unplugged, has lost power, or is turned off, you must wait 3 to 5 minutes before restarting. If you attempt to restart before this time delay, the appliance will not start.

# CARE AND MAINTENANCE

## Cleaning your Appliance

- Turn the refrigerator temperature control to OFF, unplug the unit and remove the contents, including shelves.
- Wash the inside surfaces with a solution of warm water and baking soda. The solution should contain about 2 tablespoons of baking soda to a quart of water.
- Wash the shelves with a mild detergent solution.
- Wash the ice cube tray, drip trays, and shelves in a mild detergent solution, and dry with a soft cloth.
- Wash the outside cabinet with warm water and mild liquid detergent. Rinse well and wipe dry with a clean soft cloth.
- Use only lukewarm, soapy water to clean the door gaskets.
- Wring excess water out of the sponge or cloth before cleaning the area of the controls, or any electrical parts.
- NEVER use acids, chemical thinner, gasoline, benzene or the like for cleaning any part of the refrigerator. Boiling water and benzene may deform or damage plastic parts.

*CAUTION: Failure to unplug the unit before cleaning could result in electrical shock or personal injury.*

## Power Failure

Most power failures are corrected within a few hours and should not affect the temperature of your appliance if you minimize the number of times the doors are opened. If the power is going to be off for a longer period of time, you need to take the proper steps to protect your food.

## Vacations

- **Short vacations:** Leave the appliance operating during vacations of less than three weeks.
- **Long vacations:** If the appliance will not be used for several months, remove all food and unplug the power cord. Clean and dry the interior thoroughly. To prevent odor and mold growth, leave the doors open slightly, blocking them open if necessary.

## Moving your Appliance

1. Remove all stored items.
2. Securely tape down all loose items inside your unit (shelves).
3. Turn the leveling legs up to the base to avoid damage.
4. Tape the door shut.
5. Be sure the unit stays secure in the upright position during transportation. Also, protect the outside of the unit with a blanket or similar covering.

## Energy-Saving Tips

- The appliance should be located in the coolest area of the room, away from heat-producing appliances and out of direct sunlight.
- Let hot foods cool to room temperature before placing in the appliance. Overloading the appliance forces the compressor to run longer.
- Be sure to wrap foods properly and wipe containers dry before placing them in the appliance. This cuts down on frost build-up inside the cabinets.
- The appliance's storage areas should not be lined with aluminum foil, wax paper or paper toweling. Liners interfere with cold air circulation, making the appliance less efficient.
- Organize and label stored items to reduce door openings and extended searches. Remove as many items as needed at one time, and close the door as soon as possible.

# TROUBLESHOOTING

You can solve many common refrigerator problems easily, saving you the cost of a possible service call. Try the suggestions below to see if you can solve the problem before calling a service technician.

Problem	Possible Cause
The appliance does not operate.	Not plugged in. The circuit breaker has tripped or the fuse has blown. The appliance's temperature control is set at OFF.
Turns on and off frequently.	Room temperature is warmer than usual. A large amount of food has been added to the appliance. The doors are opened too often. The doors are not closed completely. The temperature controls are not set correctly. The door gaskets are not seal properly. The appliance does not have the correct clearances.
Vibrations	Check to be sure the appliance is level.
The appliance seems to be making too much noise.	A rattling noise may come from the flow of refrigerant, which is normal. As each cycle ends, you may hear gurgling sounds caused by the flow of refrigerant in your appliance. Contraction and expansion of the inside walls may cause popping and crackling noises. The appliance is not level.
The door will not close properly.	The appliance is not level. The gasket is dirty or bent.

If your appliance shows other symptoms than those described above, or if you have checked all items listed as the cause and the problem still exists, then call SUMMIT® Customer Service at **1-800-932-4267**.

# NOTES

# NOTES

# LIMITED WARRANTY

## ONE-YEAR LIMITED WARRANTY

Within the 48 contiguous United States, for one year from the date of purchase, when this appliance is operated and maintained according to instructions attached to or furnished with the product, warrantor will pay for factory-specified parts and repair labor to correct defects in materials or workmanship. Service must be provided by a designated service company. Outside the 48 states, all parts are warranted for one year from manufacturing defects. Plastic parts, shelves and cabinets are warranted to be manufactured to commercially acceptable standards, and are not covered from damage during handling or breakage.

## 5-YEAR COMPRESSOR WARRANTY

1. The compressor is covered for 5 years.
2. Replacement does not include labor.

### **ITEMS WARRANTOR WILL NOT PAY FOR:**

1. Service calls to correct the installation of your appliance, to instruct you how to use your appliance, to replace or repair fuses or to correct wiring or plumbing.
2. Service calls to repair or replace appliance light bulbs or broken shelves. Consumable parts (such as filters) are excluded from warranty coverage.
3. Damage resulting from accident, alteration, misuse, abuse, fire, flood, acts of God, improper installation, installation not in accordance with electrical or plumbing codes, or use of products not approved by warrantor.
4. Replacement parts or repair labor costs for units operated outside the United States.
5. Repairs to parts or systems resulting from unauthorized modifications made to the appliance.
6. The removal and reinstallation of your appliance if it is installed in an inaccessible location or is not installed in accordance with published installation instructions.

### **DISCLAIMER OF IMPLIED WARRANTIES – LIMITATION OF REMEDIES**

CUSTOMER'S SOLE AND EXCLUSIVE REMEDY UNDER THIS LIMITED WARRANTY SHALL BE PRODUCT REPAIR AS PROVIDED HEREIN. IMPLIED WARRANTIES, INCLUDING WARRANTIES OF MERCHANTABILITY OR FITNESS FOR A PARTICULAR PURPOSE, ARE LIMITED TO ONE YEAR. WARRANTOR SHALL NOT BE LIABLE FOR INCIDENTAL OR CONSEQUENTIAL DAMAGES. SOME STATES DO NOT ALLOW THE EXCLUSION OR LIMITATION OF INCIDENTAL OR CONSEQUENTIAL DAMAGES, OR LIMITATIONS ON THE DURATION OF IMPLIED WARRANTIES OF MERCHANTABILITY OR FITNESS, SO THESE EXCLUSIONS OR LIMITATIONS MAY NOT APPLY TO YOU. THIS WARRANTY GIVES YOU SPECIFIC LEGAL RIGHTS AND YOU MAY ALSO HAVE OTHER RIGHTS, WHICH VARY FROM STATE TO STATE



**WARNING: This product can expose you to chemicals including Nickel (Metallic) which is known to the State of California to cause cancer.**

For more information go to [www.P65Warnings.ca.gov](http://www.P65Warnings.ca.gov)

Note: Nickel is a component in all stainless steel and some other metallic compositions.

# SUMMIT

**FELIX STORCH, INC.**  
An ISO 9001:2015 registered company  
770 Garrison Avenue  
Bronx, NY 10474  
[www.accucold.com](http://www.accucold.com)

For parts and accessory ordering,  
troubleshooting and helpful hints, visit:  
[www.summitappliance.com/support](http://www.summitappliance.com/support)

Revised 8/2020  
Printed in the USA