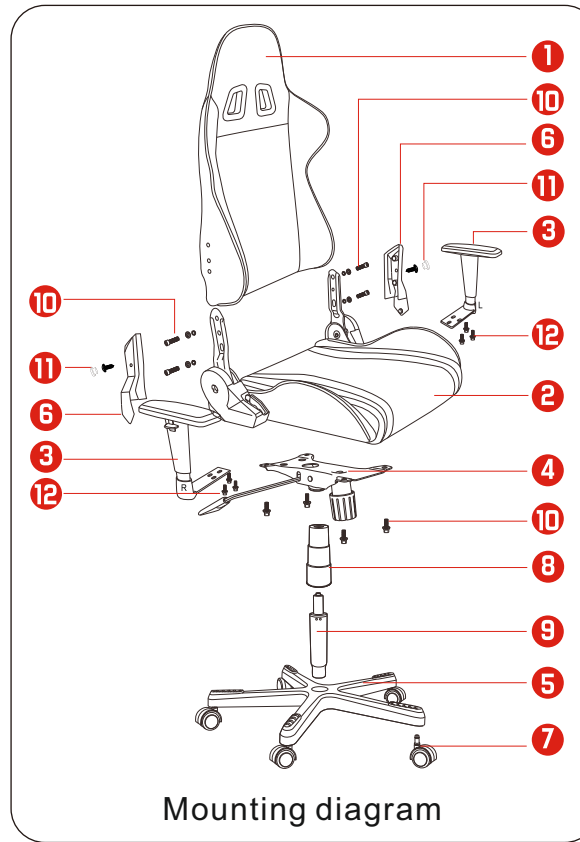
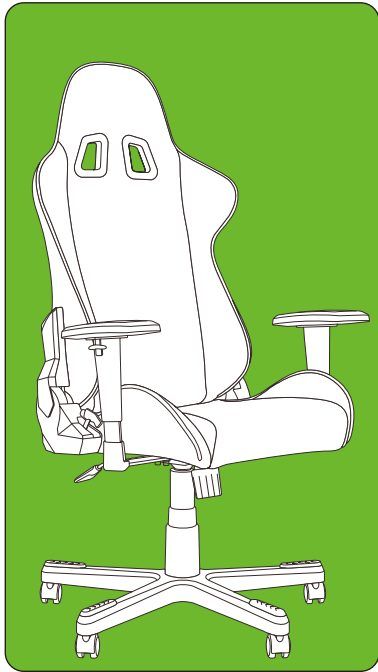
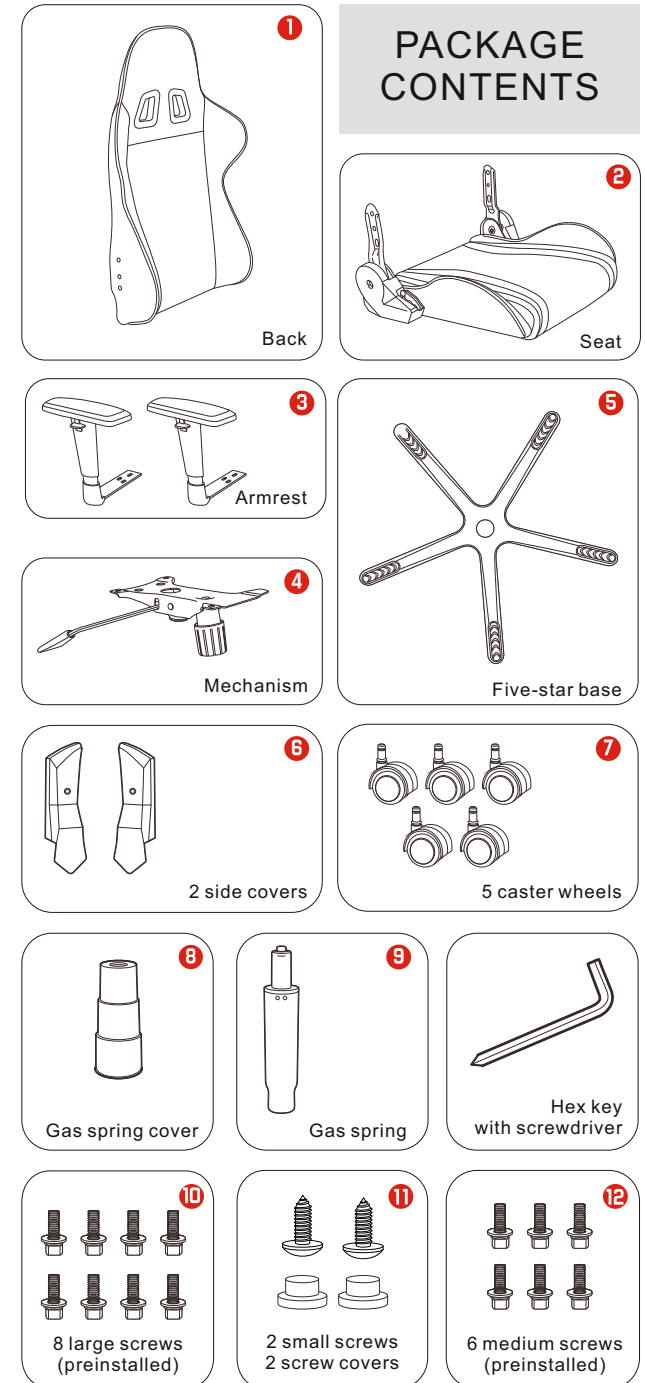


KLIM 1ST GAMING CHAIR

ASSEMBLY GUIDE & MANUAL



PACKAGE CONTENTS



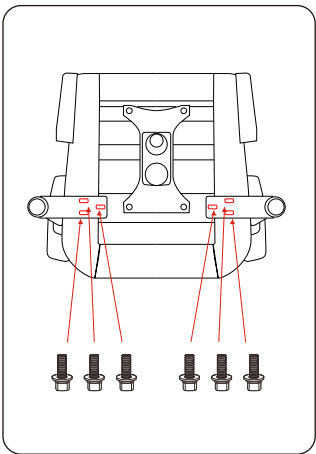
CONTACT INFORMATION

Thank you for buying our KLIM chair! Please read this manual before installation and follow the instructions. Conserve this manual for future reference.

If you need any help during assembly or use, or if you simply want to share your feedback, do not hesitate to reach out to our specialists at support@klimtechnologies.com. We will reply within 24 hours!

SAFETY WARNINGS

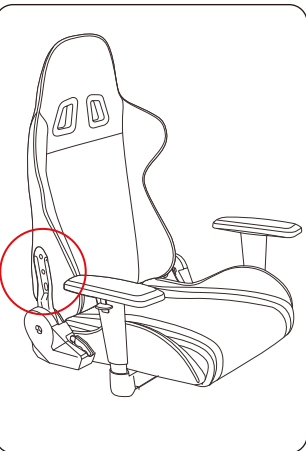
1. Protect the chair from prolonged exposure to direct sunlight and damp environments.
2. Always place the chair on a flat surface.
3. Be mindful of children trying to climb onto the chair.
4. Check the screws regularly to ensure they have not become loose after long periods of use. Tighten them if required.
5. Avoid using sharp objects near the chair to reduce the risk of scratching or tearing the fabric.



STEP 1

Attach the armrests to the bottom of the seat

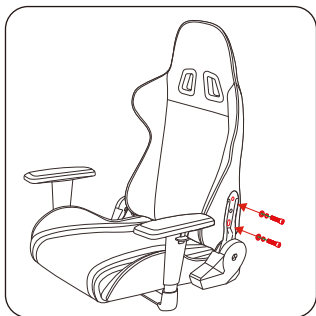
Unscrew the 6 screws on the seat base, place the armrests and screw them back in.



STEP 2

Put the backrest and seat together

IMPORTANT: remove the pre-installed screws in the back rest and keep them for the next step. Place the backrest on the seat as per the pictures above. Ensure that the holes on the metal plates are aligned to the holes in the backrest.



STEP 3

Attach the backrest to the seat

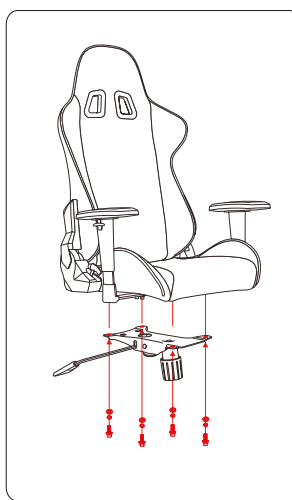
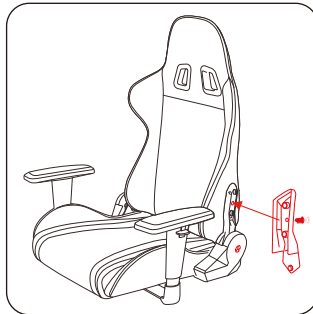
Screw the bolts on the right side (handle side) half-way through, then screw in the bolts on the left side. Afterwards, tighten them all until the backrest is firmly secured to the seat. Check the alignment again and readjust if necessary.



STEP 4

Install the side covers

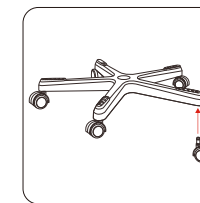
Attach the lower snap button first, put the rest of the cover in place, and insert the screw to secure it. Lastly, place the screw cover on top.



STEP 5

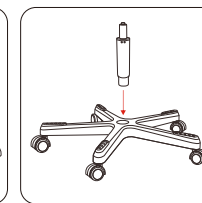
Install the mechanism

Attach the mechanism to the bottom of the seat using 4 screws. Check the orientation of the mechanism to make sure it is facing the correct way.



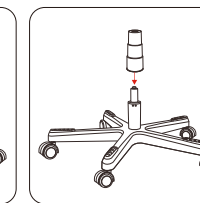
STEP 6

Push the wheels into the five-star base



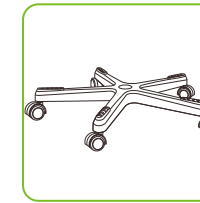
STEP 7

Insert the gas spring in the five-star base



STEP 8

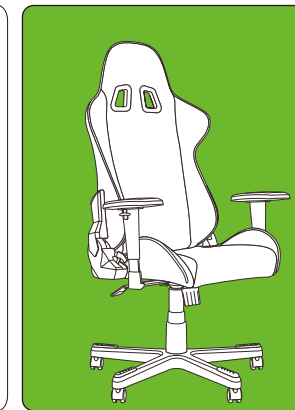
Place cover on the gas spring



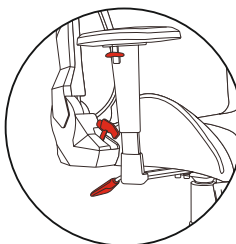
STEP 9

Put the chair on the gas spring

Align the top of the gas spring and the hole of the mechanism. Place the upper part of the chair onto the gas spring carefully and keep lowering it until the seat is fully connected to the gas piston. Congratulations! Your new chair is ready :)



Usage and safety instructions



Armrest adjustment

Push the tab upwards to regulate the height of the armrest.

Reclining lever

Pull the top lever upwards to adjust the inclination of the backrest.

Height adjustment lever

Pull the bottom lever up to adjust the height of the seat.



Sit in the center of the chair, with your back on the backrest.



Do not sit on the edge of your seat.



Do not stand on the chair.



Sit on the chair one person at a time.



Do not push the chair around when somebody is sitting on it.



Do not push down the backrest when a person is reclined on it.



Do not place all your body weight on the backrest only.



Do not place your fingers or hands near the reclining mechanism.



English

