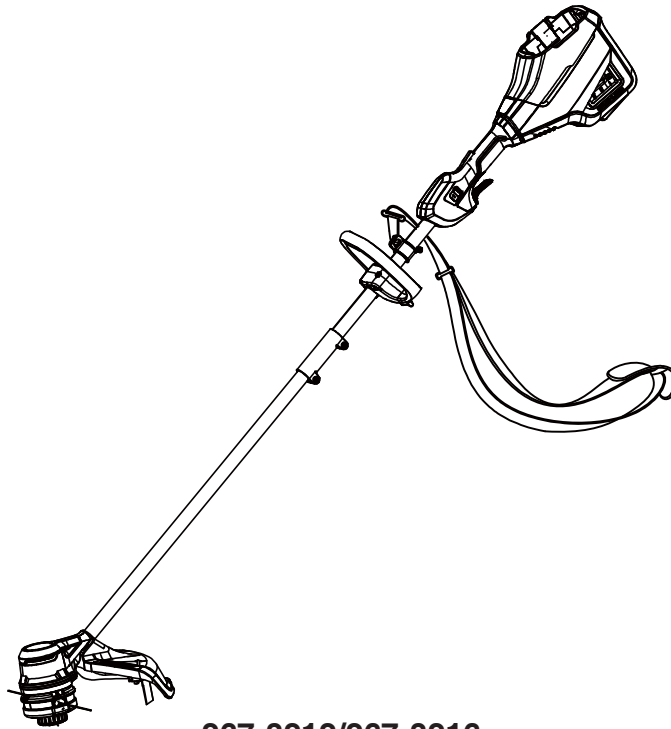





## 80V BRUSHLESS 16" STRING TRIMMER



267-3212/267-3216  
2100294VT/2100294VTBT  
STB409

### OPERATOR'S MANUAL









 **CAUTION** To Reduce The Risk Of Injury, User Must Read And Understand Operator's Manual. Save These Instructions For Future Reference.

## TABLE OF CONTENTS

Safety Symbols.....	Page 2
Safety Instructions.....	Page 3
Overview.....	Page 7
Specifications.....	Page 7
Assembly.....	Page 8
Operation.....	Page 11
Maintenance.....	Page 15
Troubleshooting.....	Page 16
Exploded view.....	Page 18
Note.....	Page 19
Warranty.....	Page 22


## SAFETY SYMBOLS

Some of the following symbols may be used on this product. Please study them and learn their meaning. Proper interpretation of these symbols will allow you to operate the product better and safer.


Symbol	Name	Designation / Explanation
V	Volts	Voltage
A	Amperes	Current
Hz	Hertz	Frequency (cycles per second)
W	Watts	Power
min	Minutes	Time
~	Alternating Current	Type of current
---	Direct Current	Type or a characteristic of current
	Class II Construction	Double-insulated construction.
/min	Per Minute	Revolutions, strokes, surface speed, orbits etc., per minute
	Safety Alert	Precautions that involve your safety.
	Read The Operator's Manual	To reduce the risk of injury user must read and understand operator's manual before using this product.
	Eye Protection	Always wear eye protection with side shields marked to comply with ANSI Z87.1 when operating this equipment.
	Wet Conditions Alert	Do not expose the product to rain or moist conditions.
	Ricochet	Thrown objects can ricochet and result in personal injury or property damage.
	No Blade	Do not install or use any type of blade on a product displaying this symbol.
	Keep Bystanders Away	Keep all bystanders at least 50 ft. (15m) away.


## SAFETY INSTRUCTIONS

The purpose of safety symbols is to attract our attention to possible dangers. The safety symbols, and the explanations with them, deserve your careful attention and understanding. The symbol warnings do not by themselves eliminate any danger. The instructions and warnings they give are no substitutes for proper accident prevention measures.


 **WARNING** Be sure to read and understand all safety instructions in this manual, including all safety alert symbols such as “DANGER”, “WARNING” and “CAUTION”, before using this power tool. Failure to follow all instructions listed below may result in electric shock, fire and/or serious personal injury.

### SYMBOL MEANING

 **SAFETY ALERT SYMBOL:** Indicates DANGER, WARNING, OR CAUTION. May be used in conjunction with other symbols or pictographs.

 **DANGER** Failure to obey this warning **WILL** result in death or serious injury to yourself or to others. Always follow the safety precautions to reduce the risk of fire, electric shock and personal injury.

 **WARNING** Failure to obey this safety warning **CAN** result in death or serious injury to yourself or to others. Always follow the safety precautions to reduce the risk of fire, electric shock and personal injury.

 **CAUTION** Failure to obey this safety warning **MAY** result in personal injury to yourself or others or property damage. Always follow the safety precautions to reduce the risk of fire, electric shock and personal injury.

# SAFETY INSTRUCTIONS

## IMPORTANT SAFETY INSTRUCTIONS

### READ ALL INSTRUCTIONS BEFORE USING (THIS POWER TOOL)



#### **WARNING**

Read and understand all instructions before using this product. Failure to follow all instructions listed below may result in electric shock, fire, and/or serious personal injury. When using an electrical appliance, basic precautions should always be followed, including the following:

- Do not operate power tools in explosive atmospheres, such as in the presence of flammable liquids, gases, or dust. Power tools create sparks that may ignite the dust or fumes.
- Do not allow children or untrained individuals to use this unit.
- Don't expose power tools to rain or wet conditions. Water entering a power tool will increase the risk of electric shock.
- Do not handle battery or tool with wet hands.
- Never allow children to operate the equipment. Never allow adults to operate the equipment without proper instruction.
- Always wear safety glasses with side shields that are marked to comply with ANSI Z87.1. Everyday glasses have only impact resistant lenses. They are NOT safety glasses. Following this rule will reduce the risk of eye injury. Use face mask if operation is dusty.
- Don't use in the rain. Store indoors.
- Do not operate in poor lighting.
- Keep all parts of your body away from any moving part.
- Prevent unintentional starting. Ensure the switch is in the off-position before connecting to battery pack, picking up or carrying the appliance. Carrying the appliance with your finger on the switch or energizing appliance that have the switch on invites accidents.
- Do not force tool. Use the correct tool for your application. The correct tool will do the job better and safer at the rate for which it is designed.
- Do not operate the equipment while bare foot or when wearing sandals or similar lightweight footwear. Wear protective footwear that will protect your feet and improve your footing on slippery surfaces.
- Keep firm footing and balance. Do not overreach. Overreaching can result in loss of balance.
- Check Damaged Parts – Before further use of the appliance, a guard or other part that is damaged should be carefully checked to determine that it will operate properly and perform its intended function.
- Check for alignment of moving parts, binding of moving parts, breakage of parts, mounting and any other condition that may affect its operation. A guard or other part that is damaged should, be properly repaired or replaced by an authorized service center unless indicated elsewhere in this manual.
- Keep guards in place and in working order.
- Keep hands and feet away from cutting area.
- Do not allow to be used as a toy. Close attention is necessary when used by or near children.
- Do not use tool if switch does not turn it on or off. Any tool that cannot be controlled with the switch is dangerous and must be repaired.
- Keep all bystanders, children, and pets at least 50 ft. away.
- Do not operate this unit when you are tired, ill, or under the influence of alcohol, drugs, or medication.
- Use only Masterforce Batteries: BAB726, BAB727, BAB728, BAB729 and other BAB series batteries.
- Use only Masterforce Charger: CAB809 or other CAB series.
- Do not put any object into openings. Do not use with any opening blocked; keep openings free.
- Check the work area before each use. Remove all objects such as rocks, broken glass, nails, wire, or string which can be thrown or become entangled in the machine.

## SAFETY INSTRUCTIONS

- Use only identical manufacturer's replacement parts and accessories. Use of any other parts may create a hazard or cause product damage.
- Do not charge battery in the rain, or damp or wet locations. Following this rule will reduce the risk of electric shock.
- For household use only.
- Battery tools do not have to be plugged into an electrical outlet; therefore, they are always in operating condition. Be aware of possible hazards when not using your battery tool or when changing accessories. Following this rule will reduce the risk of electric shock, fire, or serious personal injury.
- Remove or disconnect battery before servicing, cleaning or removing material from the gardening appliance.
- Use appliance only with specially designated battery packs. Use of any other battery packs may create a risk of injury and fire.
- Store idle appliances - When not in use, the string trimmer should be stored indoors in a dry, locked place out of the reach of children.
- Do not dispose of batteries in a fire. The cell may explode. Check with local codes for possible special disposal instructions.
- Do not open or mutilate the batteries. Released electrolyte is corrosive and may cause damages to the eyes or skin. It may be toxic if swallowed.
- Do not place battery tools or their batteries near fire or heat. This will reduce the risk of explosion and possibly injury.
- Batteries can explode in the presence of a source of ignition, such as pilot light. To reduce the risk of serious personal injury, never use any cordless product in the presence of an open flame. An exploded battery can propel debris and chemicals. If exposed, flush with water immediately.
- Do not crush, drop or damage battery. Do not use a battery or charger that has been dropped or received a sharp blow. A damaged battery is subject to explosion. Properly dispose of a dropped or damaged battery immediately.
- Exercise care in handling batteries in order not to short the battery with conducting materials such as rings, bracelets, and keys. The battery or conductor may overheat and cause burns.
- Under extreme usage or temperature conditions, battery leakage may occur. If liquid comes in contact with your skin, wash immediately with soap and water, then neutralize with lemon juice or vinegar. If liquid gets into your eyes, flush them with clean water for at least 10 minutes, then seek immediate medical attention. Following this rule will reduce the risk of serious personal injury.
- If the charger power supply cord is damaged, it must be replaced only by the manufacturer or by an authorized service center to avoid risk.
- Do not point the string trimmer in the direction of people or pets.
- When not in use, the string trimmer should be stored indoors in a dry, locked up place out of the reach of children.
- Maintain tool with care. Keep all vents and openings clean and clear of debris. Follow instructions for proper maintenance. Do not attempt to clear clogs from tool without first switching it off and removing the battery.
- Dress Properly – Do not wear loose clothing or jewelry. They can be caught in moving parts. Use of rubber gloves and substantial footwear is recommended when working outdoors. Wear protective hair covering to contain long hair.
- Use the Correct Appliance – Do not use appliance for any job except that for which it is intended.
- When battery pack is not in use, keep it away from other metal objects like paper clips, coins, keys, nails, screws or other small metal objects that can make a connection from one terminal to another.
- Shorting the battery terminals together may cause burns or a fire.
- Do not expose a battery pack or appliance to fire or excessive temperature. Exposure to fire or temperature above 265°F may cause explosion.
- Follow all charging instructions and do not charge the battery pack or appliance outside of the temperature range specified in the instructions. Charging improperly or at temperatures outside of the specified range may damage the battery and increase the risk of fire.
- Have servicing performed by a qualified repair person using only identical replacement parts. This will ensure that the safety of the product is maintained.
- Do not modify or attempt to repair the appliance or the battery pack (as applicable) except as indicated in the

# SAFETY INSTRUCTIONS

instructions for use and care.

**SAVE THESE INSTRUCTIONS**

## PROPOSITION 65

This product contains a chemical known to the state of California to cause cancer, birth defects or other reproductive harm. Some dust created by power sanding, sawing, grinding, drilling, and other construction activities contains chemicals known to cause cancer, birth defects or other reproductive harm. Some examples of these chemicals are:

- Lead from lead-based paints;
- Crystalline silica from bricks and cement and other masonry products;
- Arsenic and chromium from chemically treated lumber.

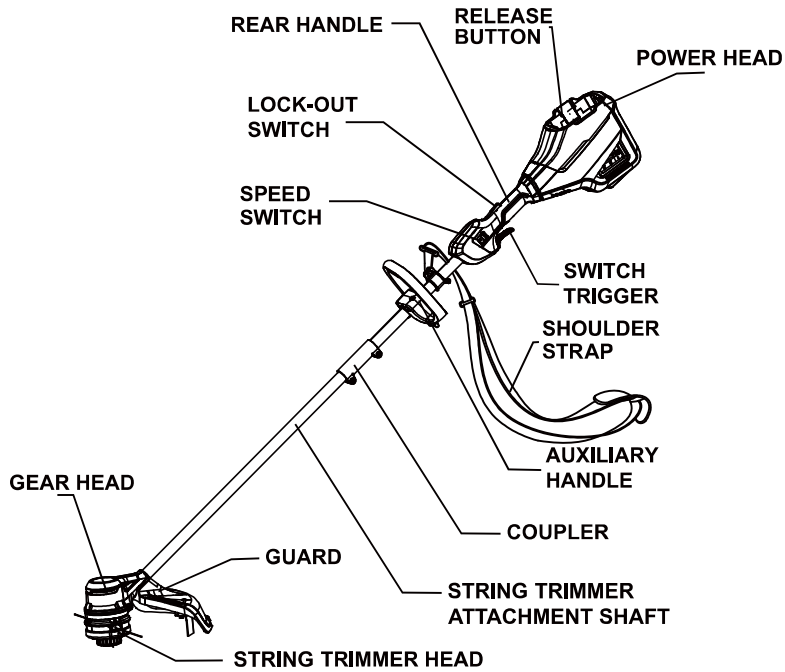
Your risk of exposure to these chemicals varies depending on how often you do this type of work. To reduce your exposure to these chemicals, work in a well-ventilated area, and work with approved safety equipment, such as dust masks that are specially designed to filter out microscopic particles.

## CHILD SAFETY

Tragic accidents can occur if the operator is not aware of the presence of children.

- Keep children out of the working area and under the watchful care of a responsible adult.
- Do not allow children under the age of 14 to operate this trimmer. Children who are 14 years of age or older must read and understand the operating instructions and safety rules in this manual and must be trained and supervised by a parent.
- Stay alert and turn the trimmer off if a child or any other person enters the working area.
- Look behind and down for small children before and while cutting backwards.
- Use extreme care when approaching blind corners, doorways, shrubs, trees, or other objects that may obscure your view of a child who may run into the path of the trimmer.

## OVERVIEW



## SPECIFICATIONS

Type	Cordless, battery operated
Motor	80V Brushless
String Cutting Width	14/16 in.
Line Diameter	0.095" / 0.080" (2.4 mm / 2.0 mm)
Speed	6000 / 5000 RPM
Weight (Without Battery)	8 lbs (3.6 kg)

**The recommended ambient temperature range:**

Item	Temperature
String trimmer storage temperature range	32°F (0°C) - 113°F (45°C)
String trimmer operation temperature range	32°F (0°C) - 113°F (45°C)
Battery charging temperature range	39°F (4°C) - 104°F (40°C)
Charger operation temperature range	39°F (4°C) - 104°F (40°C)
Battery storage temperature range	32°F (0°C) - 113°F (45°C)
Battery discharging temperature range	32°F (0°C) - 113°F (45°C)

# ASSEMBLY

## UNPACKING

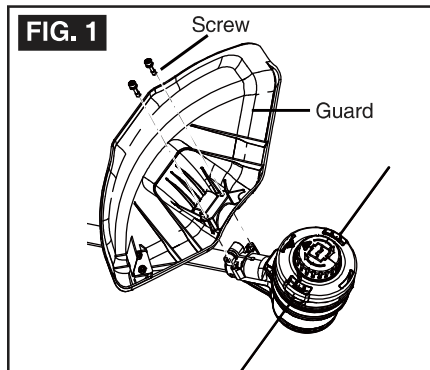
This product requires assembly.

- Carefully remove the product and any accessories from the box.
- Inspect the product carefully to make sure no breakage or damage occurred during shipping.
- Do not discard the packing material until you have carefully inspected and satisfactorily operated the product.
- If any parts are damaged or missing, please call **1-844-MSTR4CE (844-678-7423)** for assistance.

## GUARD



**WARNING** To prevent accidental starting that could cause serious personal injury, always remove the battery pack from the tool when assembling parts.

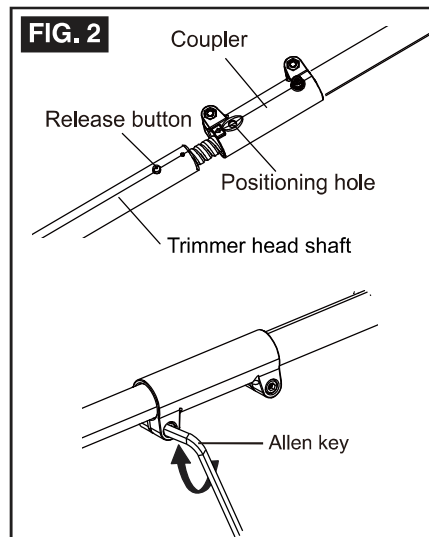


1. Remove the battery.
2. Invert the string trimmer to access the string trimmer head.
3. Using a Allen key (included), remove the pre-installed screws from the guard plate on the string trimmer head.
4. Place the guard onto the string trimmer head and slide the guard onto the head by following the track on the head.
5. Align the screw holes on the guard with the screw holes on the string trimmer head.
6. Insert the screws into the string trimmer head, fastening the guard in place.

## ASSEMBLY



**WARNING** Read and understand entire Operator's Manual for each optional attachment used on this power head and follow all warnings and instructions. Failure to follow all instructions may result in electric shock, fire and/or serious personal injury.



**NOTE:** When using string trimmer attachments, use only .080 in./0.095 in diameter line.

The trimmer head shaft connects to the power head by means of a coupler device.

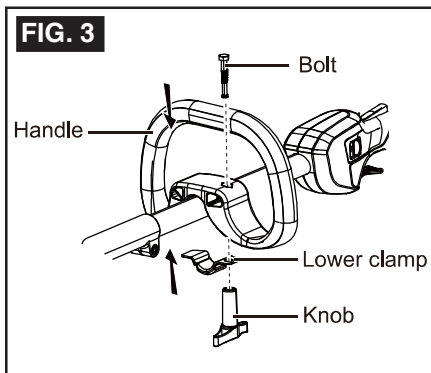
1. Loosen the screw on the coupler.
2. Push in the release button located on the trimmer head shaft. Align the button with the guide recess on the power head coupler and slide the two shafts together. Rotate the trimmer head shaft until the button locks into the positioning hole.

**NOTE:** If the button does not release completely in the positioning hole, the shafts are not locked into place. Slightly rotate from side to side until the button is locked into place.

3. Tighten the attachment screw with the Allen key (included) securely.

## ASSEMBLY

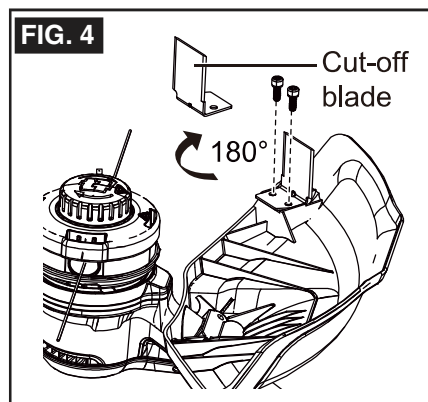
### AUXILIARY HANDLE



1. Remove the knob from the handle.
2. Attach the auxiliary handle and lower clamp on the shaft.
3. Set the auxiliary handle to a comfortable position.
4. Put the bolt through the holes.
5. Tighten the auxiliary handle with the knob.

### LINE TRIMMER CUT-OFF BLADE

The trimmer is equipped with a line trimming cut-off blade on the guard. Replace the line when trimming efficiency diminishes. This will maintain best performance.



#### Adjusting the cutting swath

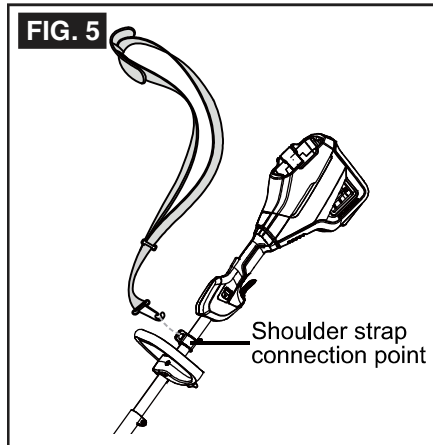
The trimmer is currently set at a 14 in. cutting swath. To adjust to a cutting swath of 16 in.:

1. Remove the battery from the string trimmer.
2. Remove both screws from the cut-off blade with a Phillips screwdriver (not included).
3. Rotate the cut-off blade 180°.
4. Replace both screws in the cut-off blade.

**Note:** Set the cut-off blade to 14 in. for greater runtime. Set the cut-off blade to 16 in. for greater cutting area.

## ASSEMBLY

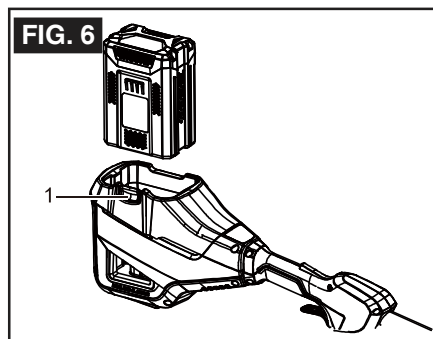
### SHOULDER STRAP



1. Rotate the shoulder strap connection point to the upward position.
2. Hook the shoulder strap to the shoulder strap connection point.

### THE BATTERY PACK

- If the battery pack or charger is damaged, replace the battery pack or the charger.
- Stop the machine and wait until the motor stops before you install or remove the battery pack.
- Read, know, and follow the instructions in the battery and charger manuals.



### To install the battery pack

1. Align the lift ribs on the battery pack with the grooves in the battery compartment.
2. Push the battery pack into the battery compartment until the battery pack locks into place.
3. When you hear a click, the battery pack is installed.

### To remove the battery pack

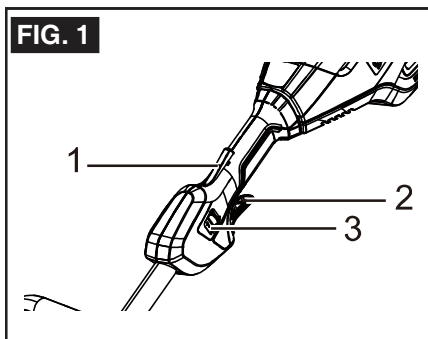
1. Push and hold the battery release button (1).
2. Remove the battery pack from the machine.

## OPERATION

### LOCK-OUT SWITCH

The lock-out switch reduces the possibility of accidental starting. The lock-out switch is located on the handle above the switch trigger. The lock-out switch must be depressed before you pull the switch trigger. The lock resets each time the trigger is released.

### START / STOP THE TRIMMER



1. Ensure a fully charged battery is installed into the string trimmer.
2. To start the string trimmer, press and hold the lock-out switch (1) and squeeze the switch trigger (2).
3. Push the speed switch (3) to the desired operating speed. Push the speed switch to position 1 for low speed or position 2 for high speed.

### OPERATION TIPS

- Hold the string trimmer with your right hand on the rear handle and your left hand on the auxiliary handle. Keep a firm grip with both hands while in operation. Power head should be held at a comfortable position with the rear handle about hip height.
- Always operate power head at full throttle. If debris becomes wrapped around the string trimmer head, release the switch trigger, and remove the debris.



### WARNING

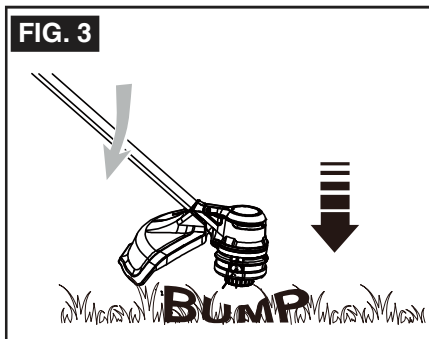
Any contact with the cutting head can result in burns and/or other serious personal injury. Never use a brush cutter head with this trimmer.

# OPERATION

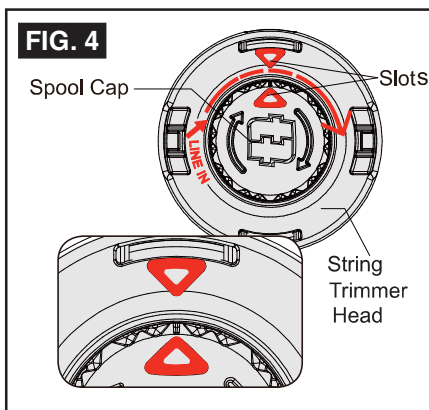
## ADJUST THE LENGTH OF THE CUTTING LINE

While you operate the machine, the cutting line gets worn shorter. You can adjust the length of the cutting line.

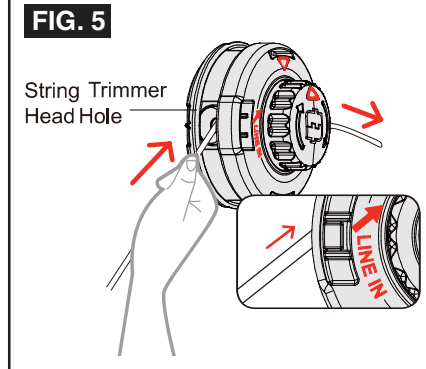
1. Bump the trimmer head against the ground while you operate the machine.
2. Line is automatically released and the cut-off blade cuts the excess length.



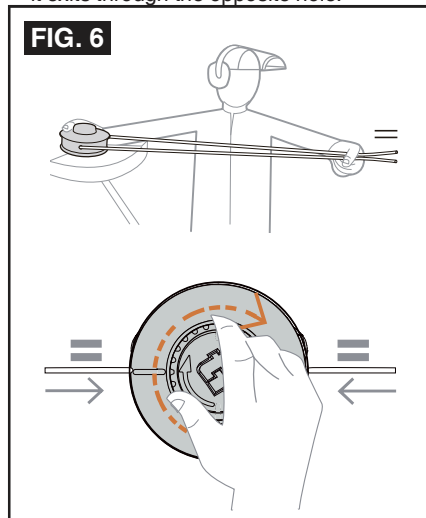
## INSTALL TRIMMER LINE IN THE STRING TRIMMER HEAD



1. Line up the slots on the spool cap with the slots on the string trimmer head.



2. Insert 15 feet or less of trimmer line through the string trimmer head hole. Push line until it exits through the opposite hole.



3. Pull the line through until there is an equal amount of line on each side of the string trimmer head.
4. Turn the spool cap clockwise to begin winding the line into the string trimmer head. Leave approximately 5 inches of line protruding out of each side of the head.

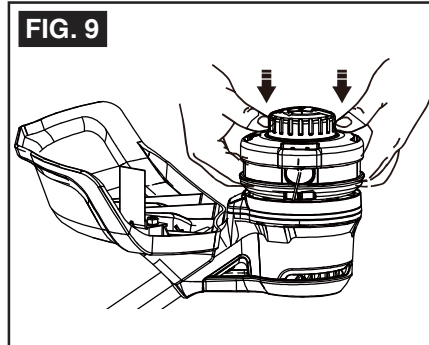
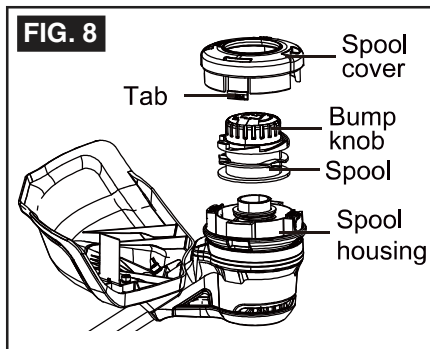
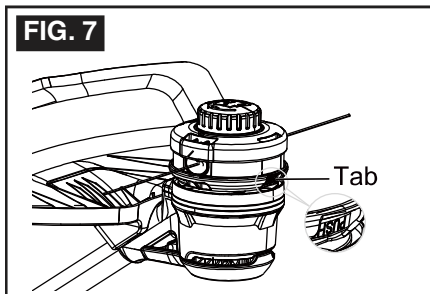
It is recommended that 0.080"/0.095" diameter line be used for this string trimmer head.

**Note:** Do not put more than 15 feet of line in at a time.

## OPERATION

### CLEANING DEBRIS AND OBSTRUCTIONS FROM THE STRING TRIMMER HEAD

1. Remove the battery pack.
2. Firmly press in the tabs on each side of the spool cover.
3. Remove the spool cover from the spool housing.
4. Remove any excess trimmer line or obstructions from the spool.
5. Use a clean cloth to wipe away any debris from the spool, spool cover, or spool housing.
6. Align the tabs of the spool cover with the posts on the spool housing. Push the spool cover until the tabs securely snap into the posts.
7. Replace the battery pack.

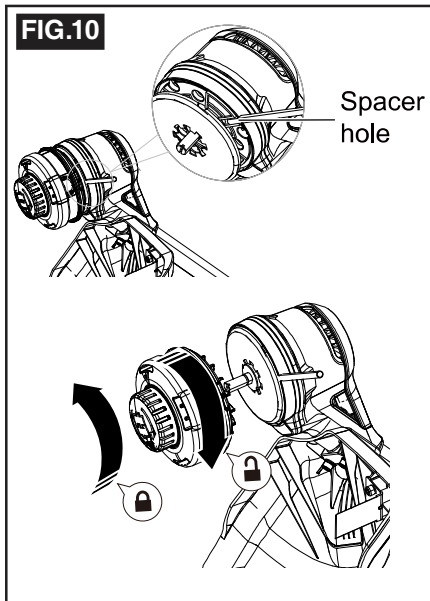


## OPERATION

### REMOVE THE STRING TRIMMER HEAD OR RE-INSTALLING TRIMMER HEAD

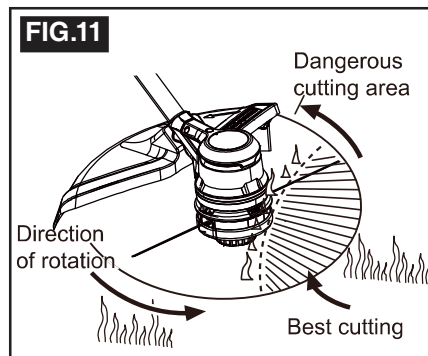
1. Line up the spacer hole up with the hole in the gear box.
2. Place a small screwdriver or metal rod (not included) in the spacer hole. Rotate the head until the metal rod or screwdriver drops into a notch. Keep the rod or screwdriver in this notch, it will hold the trimmer head still so it can be unscrewed from the shaft.
3. Rotate the head clockwise to unscrew the trimmer head, removing it.
4. Two washers are on the shaft. The first washer covers the shaft opening. Behind it, is a smaller washer with sprocket notches cut on the inner edge. If these washers fall off while removing the trimmer head make sure the smaller washer with sprocket notches goes on first followed by the other washer when replacing the trimmer head or installing a new head.
5. Reverse steps 1-3 to reinstall the same string trimmer head.

**Note:** If you put a different model string trimmer head on this unit please follow the manufacturer's instructions to install that head.



### CUTTING TIPS

- Keep the trimmer tilted toward the area being cut; this is the best cutting area.
- The trimmer cuts when moving the unit from right to left. This will avoid throwing debris at the operator. Avoid cutting in the dangerous area shown in figure 6.
- Use the tip of trimmer line to do the cutting; do not force string trimmer head into uncut grass.
- Wire and picket fences cause extra trimmer line wear and breakage. Stone and brick walls, curbs, and wood may wear trimmer line rapidly.
- Avoid trees and shrubs. Tree bark, wood moldings, siding, and fence posts can easily be damaged by the trimmer line.



## MAINTENANCE

### **WARNING**

When servicing, use only identical replacement parts. Use of any other parts may create a hazard or cause product damage. Before inspecting, cleaning, or servicing the machine, shut off motor, wait for all moving parts to stop, and disconnect battery. Failure to follow these instructions can result in serious personal injury or property damage.

### **GENERAL MAINTENANCE**

Avoid using solvents when cleaning plastic parts. Most plastics are susceptible to damage from various types of commercial solvents and may be damaged by their use. Use clean cloths to remove dirt, dust, lubricant, grease, etc.

### **WARNING**

Do not at any time let brake fluids, gasoline, petroleum-based products, penetrating lubricants, etc., come in contact with plastic parts. Chemicals can damage, weaken or destroy plastic which may result in serious personal injury.

You can often make adjustments and repairs described here. For other repairs, have the power head serviced by an authorized service dealer.

### **CLEANING THE POWER HEAD**

- Stop the motor and remove the battery.
- Clean dirt and debris from the power head using a damp cloth with a mild detergent.

**Note:** Do not use any strong detergents on the plastic housing or the handle. They can be damaged by certain aromatic oils such as pine and lemon, and by solvents such as kerosene.

### **STORING THE POWER HEAD**

- Clean all foreign material from the product.
- Store it in a well-ventilated place that is inaccessible to children.
- Keep away from corrosive agents such as garden chemicals and de-icing salts.

### **WARNING**

Do not store the string trimmer in sunlight, in an excessively warm place, or near a furnace. The battery life will be shortened.

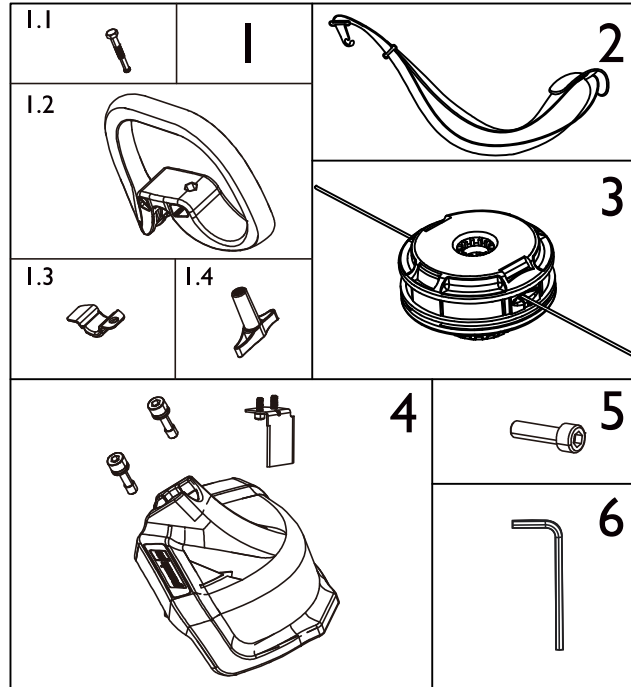
## TROUBLESHOOTING

PROBLEM	POSSIBLE CAUSE	SOLUTION
The machine does not start when you push the trigger.	No electrical contact between the machine and the battery pack.	1. Remove battery pack. 2. Check contact and install the battery pack again.
	The battery pack is depleted.	Charge the battery pack.
	The lock-out switch and trigger are not pushed at the same time.	1. Push the lock-out switch and hold it. 2. Pull the trigger to start the machine.
The machine stops when you cut.	The guard is not attached to the machine.	Remove the battery pack and attach the guard to the machine.
	Heavy cutting line is used.	Use only with nylon cutting line up to 0.095" (2.4 mm) diameter.
	The grass winds around the motor shaft or the trimmer head.	1. Stop the machine. 2. Remove the battery pack. 3. Remove the grass from the motor shaft and trimmer head.
	The motor is overloaded.	1. Remove the trimmer head from the grass. 2. The motor will recover to work as soon as the load is removed. 3. When you cut, move the trimmer head in and out of the grass to be cut and remove no more than 8" in each pass.
	The battery pack or machine is too hot.	1. Cool the battery pack until its function returns to normal. 2. Cool the machine for approximately 10 minutes.
	The battery pack is disconnected from the tool.	Install the battery pack again.
	The battery pack is depleted.	Charge the battery pack.
The line does not advance.	Not enough line on spool.	Install more line.
	Lines are worn too short.	Advance the cutting line.
	Lines are tangled on spool.	1. Remove the lines from the spool. 2. Wind the lines.

## TROUBLESHOOTING

The line keeps breaking.	The machine is used incorrectly.	<ol style="list-style-type: none"> <li>1. Cut with the tip of the line, avoid stones, walls and other hard objects.</li> <li>2. Advance the cutting line regularly to keep full cutting width.</li> </ol>
The grass winds around the trimmer head and motor housing.	Cut tall grass at ground level.	<ol style="list-style-type: none"> <li>1. Cut tall grass from the top down.</li> <li>2. Remove no more than 8" in each pass to prevent wrapping.</li> </ol>
The line does not cut well.	The cut-off blade becomes dull.	Sharpen the cut-off blade with a file or replace it.
Vibration increases noticeably.	The line is worn down on one side and not the other.	Make sure that the line on both sides is normal. Advance the line.

## EXPLODED VIEW



ITEM NO.	PART NO.	DESCRIPTION	QTY
1	R0202489-00	Auxiliary handle assembly	1
1.1	R0201826-00	Bolt	1
1.2	R0201827-00	Auxiliary handle	1
1.3	R0201828-00	Lower clamp	1
1.4	R0202482-00	Knob	1
2	RB37902144	Shoulder strap	1
3	R0202483-00	Trimmer head assembly	1
4	R0202484-00	Guard assembly	1
5	R0202485-00	Coupler screw	1
6	R0201770-00	Allen key	1









## 80V BRUSHLESS 16" STRING TRIMMER **WARRANTY**

### **4-YEAR LIMITED WARRANTY**

This MASTERFORCE™ brand power tool carries our famous No Hassle 4-Year Limited Warranty to the original purchaser. If, during normal use, this MASTERFORCE™ power tool breaks or fails due to a defect in material or workmanship within four (4) years from the date of original purchase, simply bring the tool with the original sales receipt back to your nearest MENARDS® retail store. At its discretion, MASTERFORCE™ agrees to have the tool or any defective part(s) repaired or replaced with the same or similar MASTERFORCE™ product or part free of charge, within the stated warranty period, when returned by the original purchaser with original sales receipt. Notwithstanding the foregoing, this limited warranty does not cover any damage that has resulted from abuse or misuse of the Merchandise. This warranty: (1) excludes expendable parts including but not limited to blades, brushes, belts, bits, light bulbs, and/or batteries; (2) shall be void if this tool is used for commercial and/or rental purposes; and (3) does not cover any losses, injuries to persons/property or costs. This warranty does give you specific legal rights and you may have other rights, which vary from state to state. Be careful, tools are dangerous if improperly used or maintained. Seller's employees are not qualified to advise you on the use of this merchandise. Any oral representation(s) made will not be binding on seller or its employees. The rights under this limited warranty are to the original purchaser of the merchandise and may not be transferred to any subsequent owner. This limited warranty is in lieu of all warranties, expressed or implied including warranties or merchantability and fitness for a particular purpose. Seller shall not be liable for any special, incidental, or consequential damages. The sole exclusive remedy against the seller will be for the replacement of any defects as provided herein, as long as the seller is willing or able to replace this product or is willing to refund the purchase price as provided above. For insurance purposes seller is not allowed to demonstrate any of these power tools for you.

For questions / comments, technical assistance or repair parts -  
Please call toll free at: **1-844-678-7423** (M-F 8am - 6pm)

**SAVE YOUR RECEIPTS  
THIS WARRANTY IS VOID WITHOUT THEM**

**MASTERFORCE<sup>®</sup>**

**MENARDS<sup>®</sup>**

© 2020 Menard, Inc., Eau Claire, WI 54703

12/2020