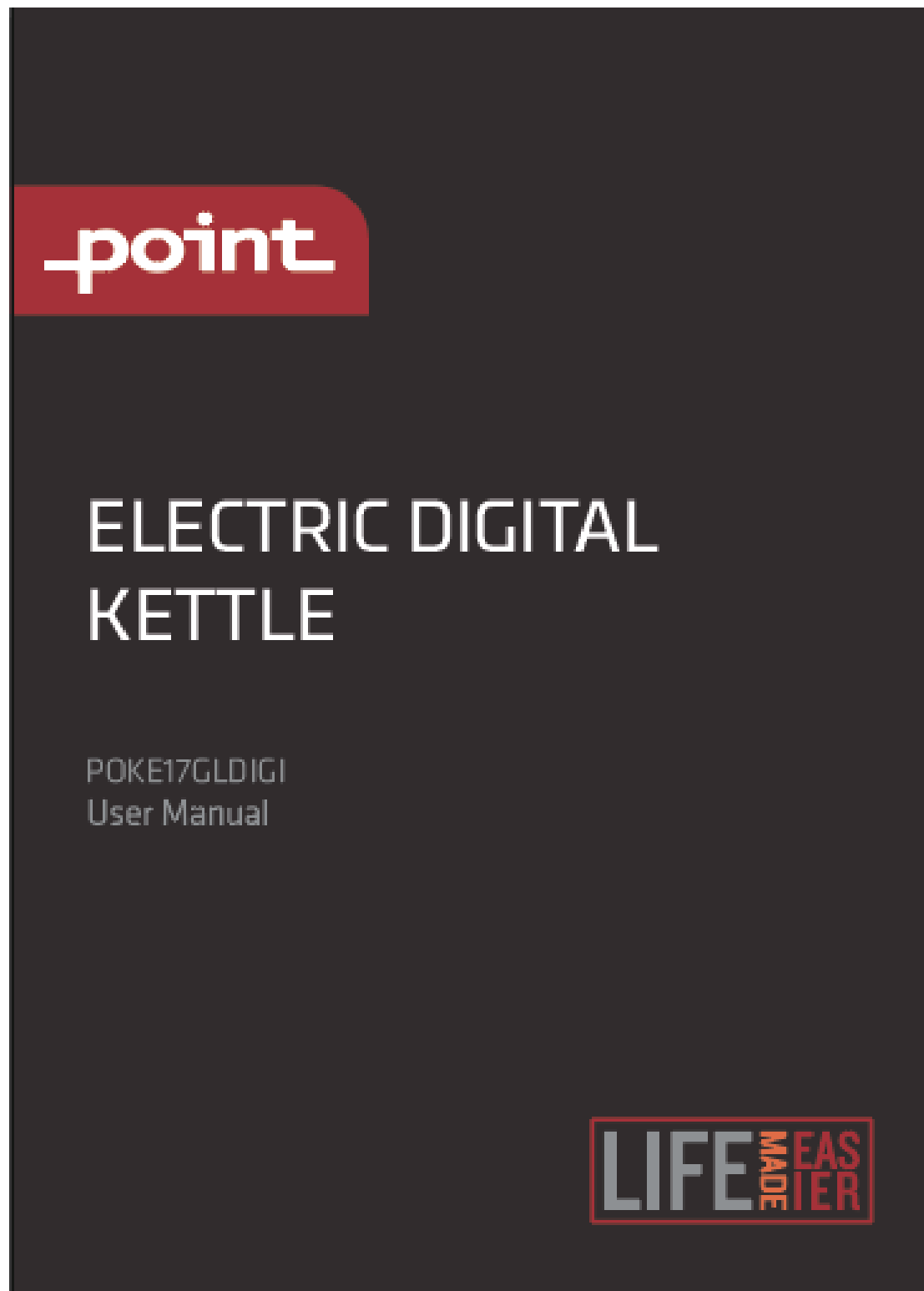


重点校对项

- 1. 版面尺寸
- 2. 材质标注
- 3. 物料编码
- 4. 颜色标注
- 5. 客户型号
- 6. 产品名称
- 7. 重量标注
- 8. 电压功率
- 9. 说明书装订要求
- 10. 警语/认证标志高度
- 11. 档位、控制面板一致性

1	2	3	4	5	6
项目					
库					
文件名					



技术要求(版本号:B, 2020-01)

1. 文字图案印刷颜色为：**四色**，印刷字体需清晰可见，文字不能粘到一起；
2. 该说明书的幅面大小为：**A5**，未注直线尺寸公差应符合GB/T1804-v；
3. 该说明书的装订方式为：**钉装**；[70P以下为钉装，70P以上为胶装（特殊要求除外）]
4. 说明书警语及认证标志应满足CE/UL标准，CE：警语部分大写字母高度不低于3mm，CE标志不低于5mm，WEEE标志不低于7mm；UL：大写字母字高不小于1/12”（2.11mm），小写字母字高不小于1/16”（1.6mm），“IMPORTANT SAFEGUARDS”，“SAVE THESE INSTRUCTIONS”等词，其字高不小于3/16”（4.8mm），IMPORTANT SAFEGUARDS 必须在最前面。
5. 产品应符合QMG-J53.021《产品说明书技术条件》的有关要求。
6. 有ROHS指令要求的物料应符合美的企业标准QML-J11.006《产品中限制使用有害物质的技术标准》。

16161000A16971

					电水壶			Point-MK-17G02C2-E5 (POKE17GLDIGI)-0501		
					说明书			封面封底双铜纸128g覆膜 内页100g双胶纸		
标记	处数	更改文件号	签字	日期	图样标记	重量	比例	广东美的生活电器制造有限公司		
制图	冯婉菊	审核	徐明旭							
设计	-----	标准化	古广君							
校对	-----	审定	古广君							
会签	-----	日期	2021-03-29		共 1 页		第 1 页			



point

ELECTRIC DIGITAL KETTLE

POKE17GLDIGI
User Manual

LIFE MADE EASIER

GB

Thank you for purchasing your new POINT Kettle. These operating instructions will help you use it properly and safely. We recommend that you spend some time reading this instruction manual in order that you fully understand all the operational features it offers. Read all the safety instructions carefully before use and keep this instruction manual for future reference.

NO

Takk for at du kjøpte denne nye POINT-Vannkokeren. Denne bruksanvisningen hjelper deg med å bruke den ordentlig og sikkert. Vi anbefaler at du tar deg tid til å lese gjennom hele bruksanvisningen for å bli fortrolig med alle funksjonene den har. Les alle sikkerhetsanvisningene nøye før bruk, og oppbevar bruksanvisningen for fremtidig referanse.

FI

Kiitos, kun valitsit uuden POINT -vedenkeittimen. Nämä käyttöohjeet opastavat sinua käyttämään laitetta oikein ja turvallisesti. Suosittelemme, että vietät hetken tämän käyttöoppaan parissa, jotta ymmärtäisit täysin kaikki laitteen tarjoamat toiminnalliset ominaisuudet.

Lue kaikki turvallisuusohjeet huolellisesti ennen laitteen käyttöä ja säilytä käyttöopas myöhempää käyttöä varten.

DK

Tak for købet af din nye Kedel fra POINT. Disse brugsanvisninger hjælper dig med at bruge den korrekt og sikkert. Vi anbefaler, at du læser denne brugsanvisning, så du får en fuld forståelse af, hvordan alle funktionerne virker. Læs alle sikkerhedsinstruktioner nøje før brug, og behold denne brugsanvisning til senere reference.

SE

Tack för ditt köp av POINT vattenkokare. Dessa driftinstruktioner hjälper dig att använda den på korrekt och säkert sätt. Vi rekommenderar att du ägnar lite tid åt att läsa denna bruksanvisning så att du fullt ut förstår alla operativa funktioner som produkten erbjuder. Läs alla säkerhetsinstruktioner noggrant innan användning, och förvara Instruktionsmanualen för framtida referens.

Instruction manual - English	page	4- 14
Bruksanvisning - Norsk	side	15- 24
Käyttöohjeet - Suomi	sivu	25- 34
Brugsanvisning - Dansk	side	35- 44
Användarmanua - Svenska	sida	45- 54



IMPORTANT SAFETY INSTRUCTIONS

Carefully read and save all the instructions.

- For additional protection, we recommend the use of a mains power outlet with a rated current of 10A. To avoid circuit overload, do not operate another high wattage appliance on the same circuit.
- Do not fill the kettle when positioned on the base, Dry the water on the bottom of the body before placing it back onto the power base.
- Never leave the appliance unattended when in use.
- Close supervision is necessary when your appliance is being used near children or infirm persons.
- The electric kettle must be operated on a flat surface. Do not place the kettle on or near a hot gas or electric burner or on the top of other electric appliances.
- Do not touch hot surfaces, use the handle. Be aware of steam being emitted from the spout or lid especially during refilling. Do not remove the lid during boiling cycle.
- Do not use the kettle to heat anything other than water. Do not fill above the "max" indication. Do not operate the kettle if the water level is below the minimum indication.

-Do not let the mains power cable hang over the edge of a table or touch hot surfaces. Always store excess portion of the mains power cable in the compartment of the base unit.

NOTE: If the kettle is over filled, boiling water may be ejected. The kettle is only to be used with the stand provided.

WARNING: Do not switch on if there is a possibility that the water in the kettle is frozen.

-Do not immerse any part of the appliance in water or other liquid. Do not use your appliance with an extension cord unless it has been checked and tested by a qualified technician or service person. Always use your appliance from a mains power outlet with the voltage (A.C. only) marked on the appliance.

-If the mains power cable is damaged, it must be changed by manufacturer or authorized persons.

-Always unplug from mains power socket in the following conditions: No water in kettle, Filling water, Not in use, Before cleaning or moving kettle.

-Call our free customer assistance number for information or return to Customer Service Department for examination and repair. Never repair the appliance by yourself.

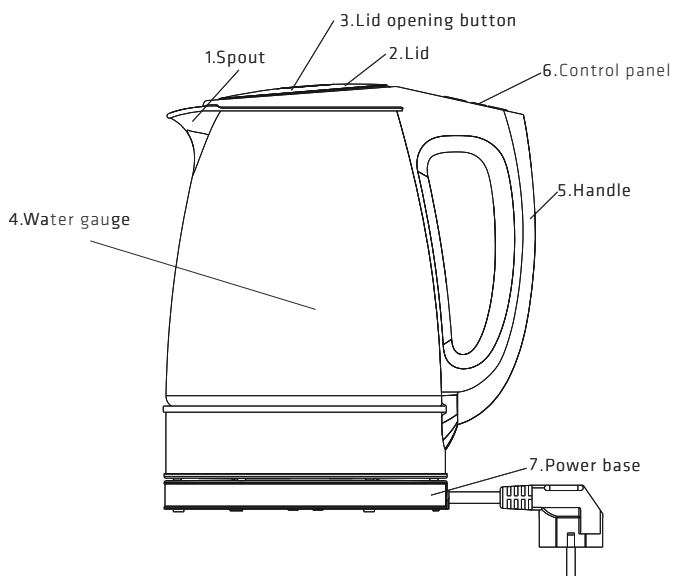
WARNING: To reduce the risk of fire or electric shock, do not remove the bottom cover of the body or the power base by yourself.

- Do not use a base unit other than the one supplied. The use of accessory attachments not recommended by the manufacturer may result in fire electrical shock or personal injury.
- Do not insert any object into slots or holes of the kettle.
- This appliance is for household use only. Do not use outdoors.
- This appliance can be used by children aged from 8 years and above if they have been given supervision or instruction concerning use of the appliance in a safe way and if they understand the hazards involved. Cleaning and user maintenance shall not be made by children unless they are older than 8 and supervised. Keep the appliance and its cord out of reach of children aged less than 8 years.
- This appliance is intended to be used in household and similar applications as:
 - Staff kitchen areas in shops, offices and other working environments;
 - Farm houses;
 - By clients in hotels, motels and other residential type environments;
 - Breakfast type environments.

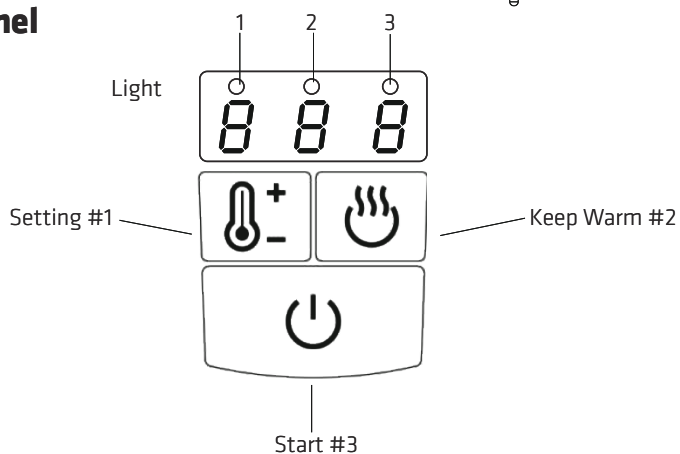
- WARNING: Do not remove the lid while the water is boiling.
- CAUTION: Position the lid so that the steam is directed away from the handle.
- CAUTION: Insure that the appliance is switched off before removing it from its stand.
- CAUTION: Be careful and avoid water spillage on connector.
- Incorrect use of the appliance may cause serious burns, therefore, attention must be taken.
- Do not try to access into the kettle's container, heating element surface as they are subjected to residual heat after use.
- Children should not play with the appliance.

Please follow the above safety precaution

Product Overview



Product Panel



Button Function Description

#1 button: Temperature Setting button (the settings are 100-40-60-70-80-90°C in order)

#2 button: Keep Warm button

#3 button: Start button (you can press the button to start/cancel the water heating function)

Indicator lights 1, 2, 3:

- (1) When the water is heated at a set temperature (without Keep Warm function being used): Indicator light 1 illuminates
 - (2) When the water is heated in Keep Warm mode 1: Indicator lights 1 and 2 illuminate simultaneously
 - (3) When the water is heated in Keep Warm mode 2: Indicator lights 1, 2 and 3 illuminate simultaneously
- * Keep Warm mode 1: After the water is heated to the set temperature, the product will enter Keep Warm mode (Keep Warm is not available at 100 °C)
 - * Keep Warm mode 2: When the water reaches the set temperature after it is heated to boiling, the product will enter Keep Warm mode (Keep Warm is not available at 100 °C)

Note:

Keep Warm is not available at 100 °C. If the set temperature is 100 °C, the default Keep Warm temperature is 90 °C after the water boils. For all set temperatures, the product will enter the standby mode after 60 min of Keep Warm, and then the product will enter the power-off state after the standby mode lasts for 5 min.

- * Memory function: If the kettle is lifted during Keep Warm but it is put back within 3 min (± 1 min) and the water temperature change after kettle putting back is less than 8 °C relative to the water temperature before kettle lifting, the product will maintain the previous Keep Warm operation state continuously; otherwise, the product will go back to the standby state.

How to use

For the first time or after not using it for a while, it is recommended to fill to the maximum level mark with fresh tap water, boil and empty the kettle at least 2 times to clear kettle of any tiny particles. Do not drink the boiled water.

1. Press the lid lock on the top of the lid, and open it.
2. Remove the kettle from the base. Fill the kettle with desired amount (no less than the minimum and no more than the maximum.) Put back the lid; place the kettle back on the base unit.
3. Connect the plug into a power outlet (220-240V, AC), switch the kettle on by pressing the switch. The light will illuminate to indicate the kettle is heating.
4. The kettle will automatically switch off once the water has boiled and the neon light goes off.
5. Lift the kettle from the base, and you can pour out the water into container.

Operation

1. When the product is powered on, a beep will sound, and the LED display and all indicator lights will illuminate. After about 2 s, the product will enter the standby mode, and display the current water temperature;
 - If you want to heat the water to boiling, conduct operation according to step 2;
 - If you want to heat the water to the set temperature, conduct operation according to step 3;
 - If you want to heat the water to the set temperature and then keep warm (Keep Warm mode 1), conduct operation according to step 4;
 - If you want to heat the water to boiling and then keep warm (Keep Warm mode 2), conduct operation according to step 5;
2. In standby but non-temperature setting state (that is, displaying the actual water temperature), you can click #3 button to start water heating. After the water is heated to 100 °C, the buzzer will give 3 beeps and then the product will enter the standby mode.
3. You can press #1 Setting button to set a temperature, and the temperature settings are 100-40-60-70-80-90°C in order; after a temperature is set, indicator light 1 illuminates; you can press #3 button to start water heating; after the water is heated to the set temperature, the buzzer gives 3 beeps and the product enters standby state.
4. You can press #1 Setting button to set a temperature (the temperature settings are 100-40-60-70-80-90°C in order); after a temperature is set, indicator light 1 illuminates; you can press # 2 Keep Warm button to set water heating and Keep Warm mode 1; when indicator lights 1 and 2 illuminate, the setting of Keep Warm mode 1 is completed. You can press #3 Start button to start water heating; after the set temperature is reached, the buzzer gives 3 beeps and the product enters Keep Warm state. The set temperature range is maintained during Keep Warm (if the water volume is 1.0-1.7 L, the temperature is the set temperature ± 3 °C; if the water volume is 1.0-0.5 L (excluding 1.0), the temperature is the set temperature ± 5 °C); after 60 \pm 2 min, the product enters power-off state.(You can arbitrarily press #1 Setting button or #2 Keep Warm button first to conduct the setting of Keep Warm mode.)
5. You can press #1 Setting button to set a temperature (the temperature settings are 100-40-60-70-80-90°C in turn circularly); after a temperature is set, indicator light 1 illuminates; you can double click #2 Keep Warm button to set water heating and Keep Warm mode 2; when indicator lights 1, 2 and 3 illuminate, the setting of Keep Warm mode 2 is completed. You can press #3 Start button to

start water heating; after the water is heated to boiling, the buzzer gives 3 beeps and the product enters Keep Warm state. The set temperature range is maintained during Keep Warm (if the water volume is 1.0-1.7 L, the temperature is the set temperature ± 3 °C; if the water volume is 1.0-0.5 L (excluding 1.0), the temperature is the set temperature ± 5 °C); after 60 \pm 2 min, the product enters the power-off state. (You can arbitrarily press #1 Setting button or #2 Keep Warm button first to conduct setting of Keep Warm mode.)

Notes:

1. In each functional operation state, you can click #3 button to cancel the current operation, allowing the product to go back to standby state
2. In operation state, it is allowed to set a temperature. But it is not allowed to switch over between "Keep Warm mode 1" and "keep Warm mode 2", the current operation state needs to be cancelled so that the product goes back to standby state, and then you can switch "Keep Warm mode".
3. In the standby state, when you press the Setting button or Keep Warm button to enter the temperature setting mode (i.e., displaying the set temperature), if you press #3 Start button within 3 s. The water heating function set by you (the user) will be started. If you do not press #3 Start button within 3 s, the product will go back to a non-temperature setting state (that is, displaying the actual water temperature), in which if you press #3 Start button, the function of heating water to 100 °C will be directly started.
4. If Keep Warm mode 1 or 2 has been set, when you adjust the set temperature through the Setting button, the temperature can only be adjusted to any of 40-60-70-80-90°C.
5. In any standby mode, you need to follow relevant operation steps again to enter the corresponding set water heating mode or Keep Warm mode.

Error-Code

Note

Error-Code	Meaning
E1	Sensor open circuit
E2	Sensor short circuit
E3	Over temperature (over 120°C)
E4	Zero crossing signal is abnormal
E7	Sensor temperature abnormality

Cleaning

Note

To prolong the kettle's life, please clean the mineral deposits in the kettle regularly.

Always unplug from the plug socket and allow to cool down before cleaning.

Do not use chemical, steel wool, or abrasive cleaners to clean the outside of the kettle, as these will scratch the surface and fade the outside color.

1. Fill the kettle with 0.5L white vinegar and the remainder with water and allow to stand for over 1 hours ;
2. Empty the solution from the kettle. Wipe off the deposits remained with damp cloth
3. Fill the kettle with clean water, bring to boil and then discard the water. Repeat and the kettle will be ready to use;
4. If necessary, repeat the operations above for several times;
5. Do not immerse into water. The surface of the kettle may be wiped over with a damp cloth and polished with a soft dry cloth.
6. Grasp the top of the scale filter and pull upwards to remove. Wash with clean water and dry thoroughly before replacing in the kettle.

Specification

Model	VOLTAGE FREQUENCY	POWER	CAPACITY
POKE17GLDIGI	220-240V~ 50/60Hz	1850-2200W	1.7L



This symbol on the product or in the instructions means that your electrical and electronic equipment should be disposed at the end of its life separately from your household waste. There are separate collection systems for recycling in the EU. For more information, please contact the local authority or your retailer where you purchased the product.

Imported and Exclusively marketed by:

Power International AS,
PO Box 523, N-1471 Lørenskog, Norway

Power Norge:

<https://www.power.no/kundeservice/>
T: 21 00 40 00

Expert Danmark:

<https://www.expert.dk/kundeservice/>
T: 70 70 17 07

Power Danmark:

<https://www.power.dk/kundeservice/>
T: 70 33 80 80

Punkt 1 Danmark:

<https://www.punkt1.dk/kundeservice/>
T: 70 70 17 07

Expert Finland:

<https://www.expert.fi/tuki/asiakaspalvelu/>
T: 020 7100 670

Power Finland:

<https://www.power.fi/tuki/asiakaspalvelu/>
T: 0305 0305

Power Sverige:

<https://www.power.se/kundservice/>
T: 08 517 66 000

VIKTIGE SIKKERHETSANVISNINGER

- Les instruksjonene nøye og ta vare på dem.
- For ytterligere beskyttelse bør du bruke en stikkontakt med en merkestrøm på 10 A. For å unngå at kursen overbelastes bør du ikke bruke andre apparater som bruker mye strøm på samme kurs.
- Ikke fyll vannkokeren når den står på basen. Tørk av vannet på bunnen av den før du legger den tilbake på strømbasen.
- La aldri apparatet stå uten tilsyn mens det er i bruk.
- Du må holde oppsyn med apparatet hvis det brukes i nærheten av barn eller svakelige.
- Vannkokeren må brukes på et flatt underlag. Ikke sett vannkokeren på eller nær en oppvarmet kokeplate eller oppå andre elektriske apparater.
- Ikke berør de varme overflatene; bruk håndtaket. Vær obs på at det avgis damp fra tuten eller lokket spesielt under påfylling. Ikke ta av lokket under oppkok.
- Ikke bruk vannkokeren til å varme opp noe annet enn vann. Ikke fyll over maksimumsmerket. Ikke bruk vannkokeren hvis vannstanden er under minimumsmerket.

- Ikke la strømkabelen henge over kanten av et bord eller berøre varme overflater. Ekstra lengde av strømkabelen legger du i rommet i baseenheten.
- Ikke dypp noen del av apparatet i vann eller annen væske. Ikke bruk apparatet med en skjøteledning med mindre den har blitt sjekket og testet av en kvalifisert tekniker eller servicepersonell. Bruk alltid apparatet i en stikkontakt med spenningen (kun vekselstrøm) som står på apparatet.
- Hvis strømkabelen er skadet, må den skiftes av produsenten eller godkjent person.

MERK: Hvis vannkokeren er for full, kan kokende vann komme ut. Vannkokeren skal bare brukes sammen med det medfølgende stativet.

ADVARSEL: Ikke slå på hvis det er mulig at vannet i vannkokeren har frosset.

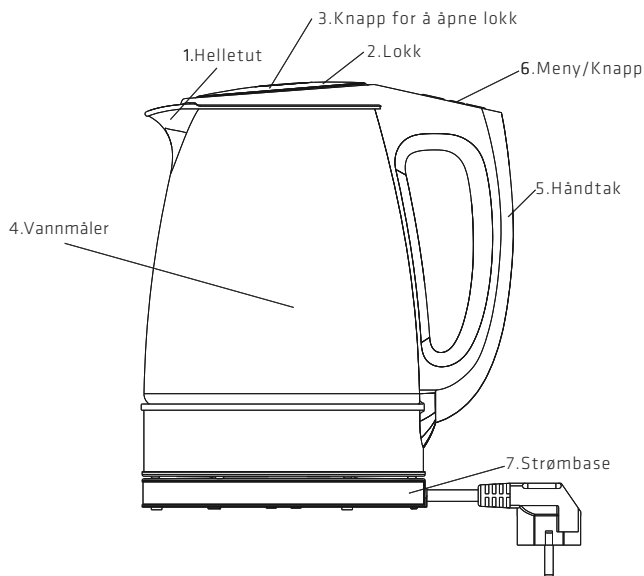
- Trekk alltid støpselet ut av stikkontakten når: det ikke er vann i vannkokeren, vann fylles, den ikke er i bruk, den skal rengjøres eller flyttes.
- Ring vårt gratis kundestøttenummer for informasjon, eller returner til kundestøtteavdelingen for undersøkelse og reparasjon. Ikke reparer apparatet på egen hånd.
ADVARSEL: Reduser risikoen for brann eller elektrisk støt. Ikke fjern bunndekselet på hoveddelen eller strømbasen på egen hånd.

- Ikke bruk en annen baseenhet enn den som følger med. Bruk av vedlegg/tilbehør som ikke anbefales av produsenten, kan føre til brann, elektrisk støt eller personskaade.
- Ikke sett gjenstander inn i spalter eller hull i vannkokeren.
- Dette apparatet er kun til husholdningsbruk. Ikke bruk den utendørs.
- Dette apparatet kan brukes av barn fra og med 8 år hvis de er under tilsyn eller har mottatt anvisning om bruk av apparatet på en sikker måte og forstår farene dette innebærer. Barn må ikke foreta rengjøring og vedlikehold med mindre de er 8 år eller eldre og under tilsyn. Hold apparatet og strømledningen utilgjengelige for barn under 8 år.
- Dette apparatet er beregnet for bruk i husholdninger og lignende bruksområder som:
 - personalrom i butikker, på kontorer og andre arbeidsplasser;
 - gårdsbruk;
 - av gjester i hoteller, moteller og andre bosteder;
 - enkle overnattingssteder.
- ADVARSEL: Ikke ta av lokket mens vannet koker.
- OBS: Plasser lokket slik at dampen ledes bort fra håndtaket.

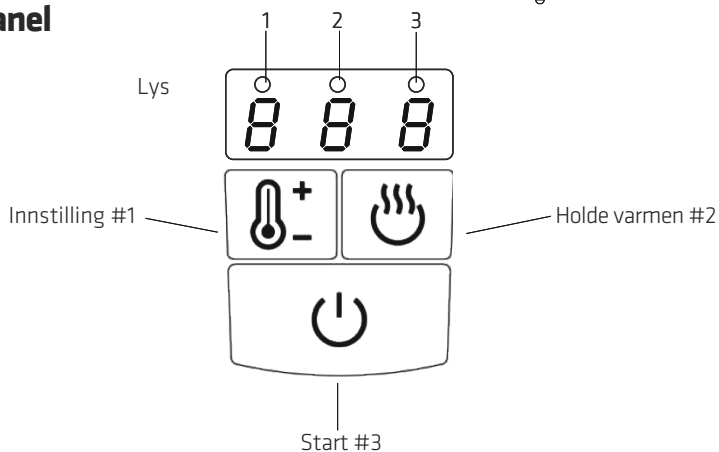
- OBS: Sørg for at apparatet er slått av før du tar det av stativet.
- OBS: Vær forsiktig så det ikke søles på kontakten.
- Feil bruk av apparatet kan føre til alvorlige forbrenninger; vær forsiktig.
- Ikke prøv å trenge inn i vannkokerbeholderen eller varmeelementoverflaten, da de kan ha restvarme etter bruk.
- Barn skal ikke leke med apparatet.

Følg sikkerhetsforholdsreglene ovenfor

Produktoversikt



Kontrollpanel



Beskrivelse av knappenes funksjoner

#1 knapp: Temperaturinnstillingsknapp (innstillingene er 100-40-60-70-80-90 °C i rekkefølge)

#2 knapp: Holde varmen-knapp

#3 knapp: Start-knapp (du kan trykke knappen for å starte/avbryte oppvarming av vann)

Indikatorlamper 1, 2, 3:

- (1) Når vannet er varmet opp til innstilt temperatur (uten at Holde varmen-funksjonen blir brukt): Indikatorlampe 1 lyser
 - (2) Når vannet er oppvarmet i Holde varmen-modus 1: Indikatorlampene 1 og 2 lyser samtidig
 - (3) Når vannet er oppvarmet i Holde varmen-modus 2: Indikatorlampene 1, 2 og 3 lyser samtidig
- * Holde varmen-modus 1: Når vannet er oppvarmet til den innstilte temperaturen, går produktet i Holde varmen-modus (Holde varmen er ikke tilgjengelig ved 100 °C)
 - * Holde varmen-modus 2: Når vannet når den innstilte temperaturen etter at det er oppvarmet til kokepunktet, går produktet i Holde varmen-modus (Holde varmen er ikke tilgjengelig ved 100 °C)

Merk:

Holde varmen er ikke tilgjengelig ved 100 °C. Hvis den innstilte temperaturen er 100 °C, er standard temperatur for Holde varmen 90 °C etter at vannet har kokt opp. Ved alle innstilte temperaturer går produktet i ventemodus etter 60 minutter med Holde varmen, så slås produktet av etter 5 minutter i ventemodus.

- * Minnefunksjon: Hvis kjelen løftes under Holde varmen, men den settes tilbake innen 3 minutter (± 1 min) og endringen i vanntemperaturen etter at kjelen er satt tilbake er mindre enn 8 °C i forhold til vanntemperaturen før kjelen ble løftet, beholder produktet den forrige tilstanden for Holde varmen kontinuerlig; ellers går produktet tilbake i ventemodus.

Bruk

Dersom vannkokeren ikke har blitt brukt på en stund, bør man fylle den opp til maksimumsmerket med ferskvann fra springen og så koke opp og tømme vannkokeren minst 2 ganger for å rense den for små partikler. Ikke drikk vannet som er kokt opp.

1. Trykk lokklåsen på håndtaket for å åpne.
2. Ta vannkokeren av basen. Fyll vannkokeren med ønsket mengde vann (ikke mindre enn minimum og ikke mer enn maksimum). Sett på lokket igjen, og legg vannkokeren på baseenheten.
3. Koble støpselet til en stikkontakt (220–240 V vekselstrøm), og slå på vannkokeren med bryteren. Lampen lyser for å indikere at vannkokeren varmer opp.
4. Vannkokeren slår seg av automatisk når vannet koker, så slukkes lampen.
5. Løft vannkokeren fra basen, og hell vannet ut i en beholder.

Drift

1. Når produktet er slått på, høres et pip, og LED-skjermen og alle indikatorlampene lyser. Etter ca 2 s går produktet i ventemodus og viser gjeldende vanntemperatur.
 - Hvis du vil varme opp vannet til kokepunktet, må du utføre operasjonen i henhold til trinn 2.
 - Hvis du vil varme opp vannet til den innstilte temperaturen, utfører du operasjonen i henhold til trinn 3.
 - Hvis du vil varme opp vannet til den innstilte temperaturen og deretter holde det varmt (Holde varmen-modus 1), utfører du operasjonen i henhold til trinn 4.
 - Hvis du vil varme opp vannet til kokepunktet og deretter holde det varmt (Holde varmen-modus 2), må du utføre operasjonen i henhold til trinn 5.
2. I ventemodus, men ikke når temperatur stilles inn (det vil si at den faktiske vanntemperaturen vises), kan du klikke #3-knappen for å begynne å varme opp vannet. Når vannet er varmet opp til 100 °C, høres 3 pip, så går produktet i ventemodus.
3. Du kan trykke #1 Innstillingsknappen for å stille inn temperaturen (temperaturinnstillingene er i rekkefølgen 100-40-60-70-80-90 °C). Når en temperatur er innstilt, lyser indikatorlampe 1; Du kan trykke #3 Start-knappen for å begynne å varme opp vann. Når den innstilte temperaturen er nådd, kommer det 3 pip, og produktet går i Holde varmen-tilstand.
4. Du kan trykke #1 Innstillingsknappen for å stille inn temperaturen (temperaturinnstillingene er i rekkefølgen 100-40-60-70-80-90 °C). Når en temperatur er innstilt, lyser indikatorlampe 1; du kan trykke #2 Holde varmen-knappen for å stille inn oppvarming av vann og Holde varmen-modus 1. Når indikatorlampene 1 og 2 lyser, er innstillingen for Holde varmen-modus 1 fullført. Du kan trykke #3 Start-knappen for å begynne å varme opp vann. Når den innstilte temperaturen er nådd, kommer det 3 pip, og produktet går i Holde varmen-tilstand. Det innstilte temperaturområdet opprettholdes under Holde varmen. (Gitt at volumet vann er 1,0-1,7 L, gjelder den innstilte temperaturen ± 3 °C; hvis volumet vann er 1,0-0,5 L (unntatt 1,0), gjelder den innstilte temperaturen ± 5 °C). Etter 60 ± 2 min slås produktet av. (Du kan trykke #1 Innstillingsknappen eller #2 Holde varmen-knappen først for å stille inn Holde varmen-modus.)
5. Du kan trykke #1 Innstillingsknappen for å stille inn temperaturen (temperaturinnstillingene er i rekkefølgen 100-40-60-70-80-90 °C). Når en temperatur er innstilt, lyser indikatorlampe 1; du kan trykke to ganger #2 Holde varmen-knappen for å stille inn oppvarming av vann og Holde varmen-modus 2. Når indikatorlampene 1, 2 og 3 lyser, er innstillingen for Holde varmen-modus 2 fullført. Du kan trykke #3 Startknappen for å begynne å varme opp vann. Når vannet koker, kommer det 3 pip, og produktet går i Holde varmen-tilstand. Det innstilte temperaturområdet opprettholdes under Holde varmen. (Gitt at

volumet vann er 1,0–1,7 L, gjelder den innstilte temperaturen ± 3 °C; hvis volumet vann er 1,0–0,5 L (unntatt 1,0), gjelder den innstilte temperaturen ± 5 °C). Etter 60 ± 2 min slås produktet av. (Du kan trykke #1 Innstillingsknappen eller #2 Holde varmen-knappen først for å stille inn Holde varmen-modus.)

Merknader:

1. Når produktet er i gang, kan du trykke #3-knappen for å avbryte funksjonen som er i gang slik at produktet kan gå tilbake i ventemodus.
2. Når produktet er i gang, kan man stille inn temperatur. Men man kan ikke bytte mellom «Holde varmen-modus 1» og «Holde varmen-modus 2»; tilstanden som er i gang, må avbrytes slik at produktet går tilbake til ventemodus, og først da kan «Holde varmen-modus» byttes.
3. Når Innstillingsknappen eller Holde varmen-knappen trykkes i ventemodus, åpnes temperaturinnstillingsmodus (og innstilt temperatur vises) hvis du trykker #3 Startknappen innen 3 sek. Funksjonen som er valgt for å varme vann, starter. Hvis du ikke trykker #3 Startknappen innen 3 sekunder, går produktet ut av innstillingstilstand, (det vil si at den faktiske vanntemperaturen vises). Hvis du da trykker #3 Startknappen, så begynner vannet å varmes opp til 100 °C.
4. Hvis Holde varmen-modus 1 eller 2 er innstilt, kan temperaturen bare justeres til 40-60-70-80-90 °C når man justerer den innstilte temperaturen med Innstillingsknappen.
5. I ventemodus må man følge relevante trinn på nytt for å gå inn i tilsvarende innstilt vannoppvarmingsmodus eller Holde varmen-modus.

Feilkode

Observer

Feilkode	Betydning
E1	Sensor åpen krets
E2	Sensor kortsluttet
E3	Over temperatur (over 120 °C)
E4	Nullkrysssignal er unormalt
E7	Avvikende sensortemperatur

RENGJØRING

- For å forlenge levetiden til vannkokeren bør den renses for mineralavleiringer regelmessig.
 - Trekk alltid ut støpselet og la den kjøle ned før rengjøring.
 - Ikke bruk kjemikalier, stålull eller rengjøringsmiddel til å rengjøre utsiden av vannkokeren, da disse vil skrape overflaten og forringe fargen.
1. Fyll vannkokeren med 0,5 l hvit eddik og resten med vann, og la stå i over 1 time.
 2. Tøm løsningen fra vannkokeren. Tørk av avleiringene med en fuktig klut.
 3. Fyll vannkokeren med rent vann, kok opp og hell ut vannet. Gjenta dette, så er vannkokeren klar til bruk.
 4. Gjenta om nødvendig prosedyren over flere ganger.
 5. Ikke senk i vann. Overflaten på vannkokeren kan tørkes over med en fuktig klut og poleres med en myk, tørr klut.
 6. Ta tak i toppen av kalkfilteret og trekk det oppover for å fjerne. Vask med rent vann, og tørk grundig før du setter det i vannkokeren igjen.

SPESIFIKASJONER

Modell	MERKESPENNING	MERKEEFFEKT	KAPASITET
POKE17GLDIGI	220-240V~ 50/60Hz	1850-2200W	1.7L



Dette symbolet på produktet eller i instruksjonene betyr at det elektriske og elektroniske utstyret ditt skal kastes separat fra husholdningsavfallet når det kasseres. Det finnes egne innsamlingsystemer for resirkulering i EU. Ta kontakt med de lokale myndighetene eller forhandleren hvor du kjøpte produktet for mer informasjon.

Importert og utelukkende markedsført av:

Power International AS,
Postboks 523, N-1471 Lørenskog, Norge

Power Norge:

<https://www.power.no/kundeservice/>

T: 21 00 40 00

Expert Danmark:

<https://www.expert.dk/kundeservice/>

T: 70 70 17 07

Power Danmark:

<https://www.power.dk/kundeservice/>

T: 70 33 80 80

Punkt 1 Danmark:

<https://www.punkt1.dk/kundeservice/>

T: 70 70 17 07

Expert Finland:

<https://www.expert.fi/tuki/asiakaspalvelu/>

T: 020 7100 670

Power Finland:

<https://www.power.fi/tuki/asiakaspalvelu/>

T: 0305 0305

Power Sverige:

<https://www.power.se/kunds-service/>

T: 08 517 66 000

TÄRKEITÄ TURVALLISUUSOHJEITA

- Lue kaikki ohjeet huolellisesti ja säilytä ne.
- Lisäsuojausta varten on suositeltavaa käyttää pistorasiaa, jonka nimellisvirta on 10 A. Välttääksesi virtapiirin ylikuormituksen, älä käytä toista sähköteholtaan korkeaa laitetta samassa virtapiirissä.
- Älä täytä vesipannua, kun se on laskettu alustaan. Kuivaa vesi pannun pohjasta ennen sen laskemista takaisin virta-alustaan.
- Älä Koskaan jätä laitetta ilman valvontaa käytön aikana.
- Tarkka valvonta on tarpeen, kun laitetta käytetään lähellä lapsia tai epävakaita henkilöitä.
- Sähköistä vesipannua on käytettävä tasaisella alustalla. Älä aseta vesipannua kuuman kaasun- tai sähköhellan tai muiden sähkölaitteiden päälle.
- Älä kosketa kuumia pintoja, käytä kahvaa. Varo kaatonokasta tai kannesta tulevaa höyryä erityisesti täytön aikana. Älä poista kantta kiehutusjakson aikana.
- Älä käytä vesipannua minkään muun kuin veden kuumentamiseen. Älä täytä "max"-merkinnän yläpuolelle. Älä käytä vesipannua, jos veden taso on minimimerkinnän alapuolella.

- Älä anna virtajohdon roikkua pöydän reunan yli tai anna sen koskettaa kuumia pintoja. Säilytä virtajohdon ylimääräistä osaa alustan säilytystilassa.
- Älä upota mitään laitteen osaa veteen tai muuhun nesteeseen. Älä käytä laitetta jatkojohdon kanssa, ellei pätevä teknikko tai huoltohenkilö ole tarkistanut ja testannut tätä johtoa. Käytä laitetta aina pistorasiasta (Vain vaihtovirta), jonka jännite on sama kuin laitteeseen merkitty.
- Jos virtakaapeli on vahingoittunut, sen saa vaihtaa vain valmistaja ja valtuutetut henkilöt.

HUOMAUTUS: Jos vesipannu on liian täynnä, kiehuva vettä voi suihkuta ulos. Vesipannu on tarkoitettu käytettäväksi vain sen toimitukseen kuuluvan alustan kanssa.

VAROITUS: Älä kytke laitetta päälle, jos on mahdollisuus, että vesipannun vesi on jäänyt.

- Irrota laite aina pistorasiasta seuraavissa tilanteissa: Vesipannussa ei ole vettä, lisättäessä vettä, kun laitetta ei käytetä, ennen vesipannun puhdistamista tai siirtämistä.
- Soita asiakastukinumeroomme saadaksesi lisätietoja tai palauta laite asiakaspalveluosastolle laitteen tutkimiseksi tai korjaamiseksi. Älä koskaan korjaa laitetta itse.

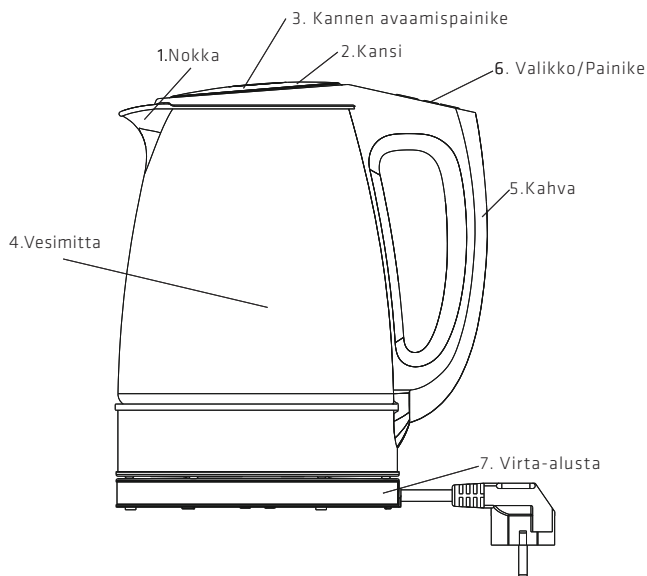
VAROITUS: Tulipalon tai sähköiskun vaaran vähentämiseksi Älä irrota rungon pohjakantta tai virta-alustaa itse.

- Älä käytä muuta kuin toimitukseen kuuluvaa alustayksikköä. Muiden kuin valmistajan suosittelemien lisävarusteiden käyttö saattaa johtaa tulipaloon, sähköiskuun tai henkilövammaan.
- Älä aseta mitään esineitä vesipannun rakoihin tai reikiin.
- Tämä laite on tarkoitettu ainoastaan kotitalouskäyttöön. Ei saa käyttää ulkona.
- Yli 8-vuotiaat olevat lapset saavat käyttää tätä laitetta, jos heidän turvallisuudestaan vastuussa oleva henkilö valvoo tai opastaa heitä laitteen turvalliseen käyttöön ja selittää siihen kuuluvat vaarat. Puhdistusta ja käyttäjän huoltoa eivät saa tehdä lapset, elleivät he ole vanhempia kuin 8 vuotta ja heitä valvota. Pidä laite ja sen johto alle 8 vuoden ikäisten lasten ulottumattomissa.
- Tämä laite on tarkoitettu käytettäväksi kotitalouksissa ja vastaavissa käyttötarkoituksissa, kuten:
 - Henkilöstön keittiöalueet kaupoissa, toimistoissa ja muissa työympäristöissä;
 - maalaistaloissa;
 - asiakkaille hotelleissa, motelleissa ja muissa asumistyyppisissä ympäristöissä;
 - Bed and Breakfast -tyyppisissä ympäristöissä.

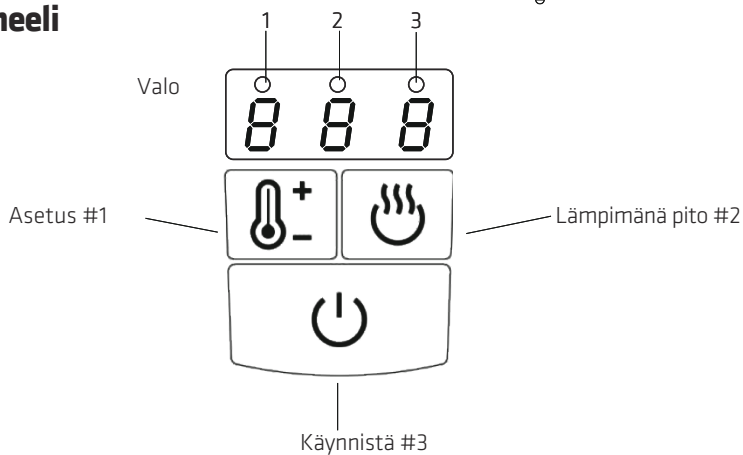
- VAROITUS: Älä milloinkaan poista kantta veden kiehuessa.
- VAARA: Sijoita kansi niin, että höyry on suunnattuna pois kahvasta.
- VAARA: Varmista, että laite on sammutettu ennen sen ottamista pois telineestä.
- VAARA: Ole varovainen ja vältä veden vuotaminen liittimestä.
- Laitteen väärä käyttö voi aiheuttaa vakavia palovammoja; sen vuoksi on oltava tarkkaavainen.
- Älä yritä päästä käsiksi vesipannun säiliön kuumennuselementteihin, ne voivat olla käytön jälkeen vielä kuumia.
- Lapset eivät saa leikkiä laitteella.

Noudata yllä esitettyjä turvallisuusvarotoimia

Tuotteen yleiskatsaus



Ohjauspaneeli



Painiketoimintokuvaus

- #1 painike: Lämpötila-asetuspainike (asetukset ovat järjestyksessä 100-40-60-70-80-90 °C)
- #2 painike: Lämpimänä pito -painike
- #3 painike: Käynnistä-painike (voit käynnistää/perua veden kuumennustoiminnon painamalla painiketta)

Merkkivalot 1, 2, 3:

- (1) Kun vesi on kuumentunut asetettuun lämpötilaan (käyttämättä Lämpimänä pito -toimintoa): Merkkivalo 1 palaa
 - (2) Kun vettä kuumennetaan Lämpimänä pito -tila 1:ssä: Merkkivalot 1 ja 2 palavat samanaikaisesti
 - (3) Kun vettä kuumennetaan Lämpimänä pito -tila 2:ssa: Merkkivalot 1, 2 ja 3 palavat samanaikaisesti
- * Lämpimänä pito -tila 1: Kun vesi on kuumentunut asetettuun lämpötilaan, tuote siirtyy Lämpimänä pito -tilaan (Lämpimänä pito ei ole käytettävissä 100 °C -asteessa)
 - * Lämpimänä pito -tila 2: Kun vesi saavuttaa asetetun lämpötilan, kun se on kuumennettu kiehuvaan, tuote siirtyy Lämpimänä pito -tilaan (Lämpimänä pito ei ole käytettävissä 100 °C -asteessa)

Huomautus:

Lämpimänä pito ei ole käytettävissä 100 °C -asteessa. Jos asetettu lämpötila on 100 °C, oletus-lämpimänäpito on 90 °C, kun vesi on kiehunut. Kaikissa asetetuissa lämpötiloissa tuote siirtyy valmiustilaan 60 min lämpimänä pidon jälkeen ja sen jälkeen tuote kytkeytyy pois päältä, kun valmiustila on kestänyt 5 min.

- * Muistitoiminto: Jos vesipannu nostetaan Lämpimänä pito -tilan aikana, mutta lasketaan takaisin 3 minuutin kuluessa (± 1 min) ja veden lämpötilan muutos on alle 8 °C suhteessa veden lämpötilaan ennen vesipannun nostamista, tuote ylläpitää aiempaa Lämpimänä pito -toimintatilaa jatkuvasti; muuten tuote siirtyy takaisin valmiustilaan.

Laitteen käyttäminen

Ensimmäisellä käyttökerralla tai kun tuotetta ei ole käytetty pitkään aikaan, on suositeltavaa täyttää vesipannu raikkaalla hanavedellä maksimitason merkkiin saakka, kiehauttaa ja tyhjentää vesipannu vähintään 2 kertaa mahdollisten pienten hiukkasten poistamiseksi. Älä juo tätä kiehautettua vettä.

1. Paina kannen päällä sijaitsevaa lukkoa ja avaa se.
2. Poista vesipannu alustasta. Täytä vesipannuun haluttu määrä vettä (ei alle minimimerkinnän eikä yli maksimin). Aseta kansi takaisin; aseta vesipannu takaisin alustayksikköön.
3. Liitä pistoke pistorasiaan (220–240 V, AC), kytke vesipannu päälle painamalla kytkintä. Merkkivalon syttyminen ilmaisee, että vesipannu kuumenee.
4. Vesipannu kytkeytyy automaattisesti pois päältä, kun vesi on kiehunut, ja merkkivalo sammuu.
5. Nosta vesipannu alustasta, nyt voit kaataa veden säiliöön.

Toiminta

1. Kun tuote käynnistetään, kuuluu merkkiääni ja LED-näyttö ja kaikki merkkivalot syttyvät. Noin 2 sekunnin kuluttua tuote siirtyy valmiustilaan ja näyttää veden sen hetkisen lämpötilan.
 - Jos haluat kuumentaa veden kiehuvaaksi, toimi vaiheen 2 mukaisesti.
 - Jos haluat kuumentaa veden asetettuun lämpötilaan, toimi vaiheen 3 mukaisesti.
 - Jos haluat kuumentaa veden asetettuun lämpötilaan ja pitää sitten veden kuumana (Lämpimänä pito 1), toimi vaiheen 4 mukaisesti.
 - Jos haluat kuumentaa veden kiehuvaaksi, toimi vaiheen 5 mukaisesti.
2. Valmiustilassa, mutta muussa kuin asetetussa lämpötila-asetustilassa (eli näytössä näkyy veden todellinen lämpötila), voi käynnistää veden kuumennuksen napsauttamalla 3-painikett. Kun vesi on kuumentunut 100 °C -asteeseen, kuuluu 3 summerin merkkiääntä ja tuote siirtyy valmiustilaan.
3. Voit asettaa lämpötilan painamalla 1-asetuspainiketta, lämpötila-asetukset ovat järjestyksessä 100-40-60-70-80-90 °C; kun lämpötila on asetettu, merkkivalo 1 syttyy; voit käynnistää veden kuumentamisen painamalla 3-painiketta; kun vesi on kuumentunut asetettuun lämpötilaan, kuuluu 3 summerin merkkiääntä ja tuote siirtyy valmiustilaan.
4. Voit asettaa lämpötilan painamalla 1-asetuspainiketta, lämpötila-asetukset ovat järjestyksessä 100-40-60-70-80-90 °C; kun lämpötila on asetettu, merkkivalo 1 syttyy; voit käynnistää veden kuumentamisen ja Lämpimänä pito 1:n painamalla 2-lämpimänäpito-painiketta; kun merkkivalot 1 ja 2 syttyvät Lämpimänä pito -tila 1:n asetus on suoritettu loppuun. Voit käynnistää veden kuumennuksen painamalla 3-käynnistyspainiketta; kun asetettu lämpötila on saavutettu, kuuluu 3 summerimerkkiääntä ja tuote siirtyy Lämpimänä pito -tilaan. Asetettua lämpötila-aluetta pidetään yllä Lämpimänä pito -tilassa (jos vesimäärä on 1,0-1,7 l, lämpötila on asetettu lämpötila \pm 3 °C; jos vesimäärä on 1,0-0,5 l, (pois lukien 1,0), lämpötila on asetettu lämpötila \pm 5 °C); 60 \pm 2 minuutin kuluttua tuote siirtyy virta pois päältä -tilaan. (Voit painaa mielivaltaisesti ensin 1-asetuspainiketta tai 2-lämpimänäpito-painiketta suorittaaksesi Lämpimänä pito -tilan asetuksen.)
5. Voit asettaa lämpötilan painamalla 1-asetuspainiketta (lämpötila-asetukset ovat kiertävässä järjestyksessä 100-40-60-70-80-90 °C); kun lämpötila on asetettu, merkkivalo 1 syttyy; voit asettaa veden kuumentamisen ja Lämpimänä pito 2:n kaksoisnapsauttamalla 2-lämpimänäpito-painiketta; kun merkkivalot 1, 2 ja 3 syttyvät Lämpimänä pito -tila 2:n asetus on suoritettu loppuun. Voit käynnistää veden kuumennuksen painamalla 3-käynnistyspainiketta; kun vesi on kuumentunut kiehuvaaksi, kuuluu 3 summerimerkkiääntä ja tuote siirtyy Lämpimänä pito -tilaan. Asetettua lämpötila-aluetta pidetään yllä Lämpimänä pito -tilassa (jos vesimäärä on 1,0-1,7 l, lämpötila on asetettu lämpötila \pm 3 °C; jos vesimäärä on 1,0-0,5 l, (pois lukien 1,0), lämpötila on asetettu lämpötila \pm 5 °C); 60 \pm 2 minuutin kuluttua tuote siirtyy virta pois päältä -tilaan. (Voit

painaa mielivaltaisesti ensin 1-asetuspainiketta tai 2-lämpimänäpitoainiketta suorittaaksesi Lämpimänä pito -tilan asetuksen.)

Huomautuksia:

1. Voit perua nykyisen toiminnan kaikissa toiminnallisissa käyttötiloissa napsauttamalla 3-painiketta ja antaa tuotteen palata takaisin valmiustilaan.
2. Lämpötilan asettaminen on sallittu toimintatilassa. Vaihdaminen "Lämpimänä pito"- ja "Lämpimänä pito 2"-toimintojen välillä ei ole sallittua, sen hetkinen toimintatila on peruttava, jotta tuote palaa takaisin valmiustilaan, jolloin voit vaihtaa "Lämpimänä pito"-tilan.
3. Kun painat valmiustilassa Asetus- tai Lämpimänä pito -painiketta siirtyäksesi lämpötilan asetustilaan (eli näytetään asetettu lämpötila), jos painat 3-käynnistä-painiketta 3 sekunnin kuluessa, asettamasi (käyttäjä) veden kuumennustoiminto käynnistyy. Jos painat 3-käynnistyspainiketta 3 sekunnin kuluessa, tuote siirtyy takaisin muuhun kuin lämpötilan asetustilaan (eli näytössä näkyy veden todellinen lämpötila), jos jossa painat 3-käynnistyspainiketta, veden 100 °C -asteeseen kuumennustoiminto käynnistyy suoraan.
4. Jos Lämpimänä pito 1 tai 2 on asetettu, kun säädät asetettua lämpötilaa Asetus-painikkeella, lämpötilaa voi säätää vain johonkin arvoista 40-60-70-80-90 °C.
5. Missä tahansa valmiustilassa sinun on toimittava uudelleen asiaan kuuluvien vaiheiden mukaisesti siirtyäksesi vastaavaan asetettuun vedenkuumennustilaan tai Lämpimänä pito -tilaan.

Virhekoodi

Huomautus

Virhekoodi	Selitys
E1	Anturin avoin piiri
E2	Anturin oikosulku
E3	Ylilämpötila (yli 120 °C)
E4	Nolla-ylityssignaali on poikkeava
E7	Anturilämpötilan poikkeavuus

RENGÖRING

- För att förlänga vattenkokarens liv, avlägsna regelbundet mineralavlagringarna i vattenkokaren.
 - Dra alltid ut kontakten och låt svalna före rengöring.
 - Använd inte kemikalier, stålull eller slipande rengöringsmedel för att rengöra utsidan av vattenkokaren, eftersom de repar ytan och bleker färgen.
1. Fyll vattenkokaren med 0,5 L vitvinsvinäger och resten med vatten, och låt stå i minst 1 timme
 2. Töm ur lösningen ur vattenkokaren. Torka av resterna med en fuktig trasa.
 3. Fyll vattenkokaren med rent vatten, låt det koka och håll sedan ut vattnet. Upprepa så blir vattenkokaren färdig för användning.
 4. Upprepa vid behov flera gånger.
 5. Doppa inte i vatten. Vattenkokarens yta kan torkas av med en fuktig trasa och poleras med en mjuk torr trasa.
 6. Grip tag i avlagringsfiltret och dra uppåt för att ta bort. Tvätta med rent vatten och torka noga innan du sätter tillbaka det i vattenkokaren.

SPECIFIKATION

Modell	MARKSPANNING	MARKEFFEKT	KAPACITET
POKE17GLDIGI	220-240V~ 50/60Hz	1850-2200W	1.7L



Denna symbol på produkten eller i medföljande instruktioner betyder att den elektriska och elektroniska utrustningen ska kasseras separat från hushållsavfall i slutet av dess

livslängd. Separata återvinningssystem för insamling finns EU. För mer information, kontakta din lokala myndighet eller återförsäljare där du inhandlade produkten.

Importerat och exklusivt marknadsförd av:

Power International AS,
PO Box 523, N-1471 Lørenskog, Norway

Power Norge:

<https://www.power.no/kundeservice/>

T: 21 00 40 00

Expert Danmark:

<https://www.expert.dk/kundeservice/>

T: 70 70 17 07

Power Danmark:

<https://www.power.dk/kundeservice/>

T: 70 33 80 80

Punkt 1 Danmark:

<https://www.punkt1.dk/kundeservice/>

T: 70 70 17 07

Expert Finland:

<https://www.expert.fi/tuki/asiakaspalvelu/>

T: 020 7100 670

Power Finland:

<https://www.power.fi/tuki/asiakaspalvelu/>

T: 0305 0305

Power Sverige:

<https://www.power.se/kunds-service/>

T: 08 517 66 000

VIGTIGE SIKKERHEDSINSTRUKTIONER

- Læs alle vejledningerne omhyggeligt og gem dem.
- For yderligere beskyttelse, anbefaler vi at du bruger en stikkontakt med en nominel strøm på 10 A. For at mindske risikoen for en overbelastning af strømkredsen bør du ikke bruge andre apparater der bruger meget strøm, i samme strømkreds.
- Fyld ikke kedlen op, når den står på foden. Tør vandet af på bunden af kedlen, før du sætter den på el-foden igen.
- Efterlad ikke apparatet uden opsyn, når det er i brug.
- Hold nøje øje med apparatet, hvis apparatet bruges i nærheden af børn eller svagelige personer.
- El-kedlen skal bruges på en plan overflade. Kedlen må ikke stilles på eller i nærheden af varme gas- eller el-brændere eller oven på andre elektriske apparater.
- Undgå at røre produktets varme overflader. Brug håndtaget. Vær opmærksom på, at der kommer damp ud af tuden eller låget, især under påfyldning. Fjern ikke låget, når vandet koges.
- Kedlen må ikke bruges til at opvarme andet end vand. Fyld ikke kedlen op over "max" mærket. Brug ikke kedlen, hvis vandet er under minimumsmærket.

- Undgå at ledningen hænger ud over bordkanten eller berører varme overflader. Opbevar altid den overskydende del af ledningen i foden.
- Ingen af apparatets dele må ikke dyppes i vand eller anden væske. Brug ikke apparatet med forlængerledning, medmindre denne ledning er kontrolleret og testet af en kvalificeret tekniker eller en elektriker. Brug altid dit apparat med en stikkontakt med spændingen (kun vekselstrøm), der står på apparatet.
- Hvis ledningen beskadiges, skal den skiftes af producenten eller autoriserede fagfolk.

BEMÆRK: Hvis elkedlen overfyldes, kan kogende vand sprøjte ud fra tuden. Elkedlen må kun anvendes med den medfølgende fod.

ADVARSEL: Kedlen må ikke tændes, hvis der er en mulighed for, at vandet i den er frossent.

- Træk altid stikket ud af stikkontakten under følgende forhold: Hvis der ikke er vand i kedlen, når kedlen fyldes med vand, når kedlen ikke er i brug, før rengøring og når kedlen flyttes.
- Ring til vores gratis kundeservicenummer for yderligere oplysninger, eller send apparatet til vores kundeservicecenter for eftersyn og reparation. Du må ikke selv forsøge at reparere apparatet.

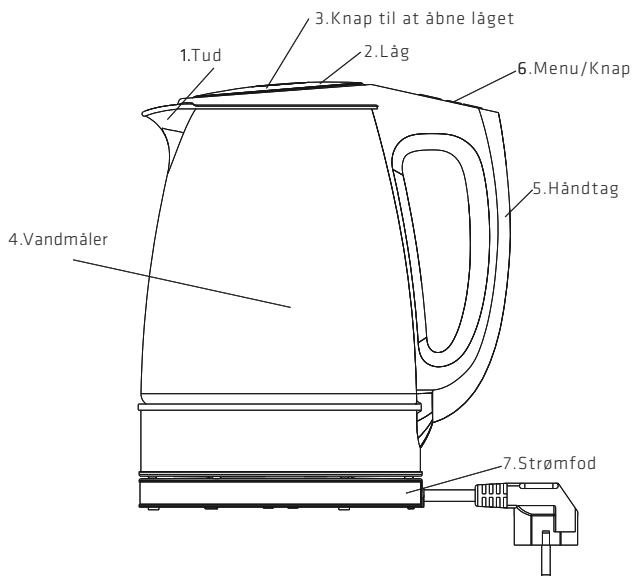
ADVARSEL: For at reducere risikoen for brand eller elektrisk stød, skal du overholde følgende: Fjern ikke bunddækslet på kedlen eller el-foden.

- Brug ikke andre føder end den, der følger med kedlen. Brug af tilbehør, der ikke anbefales af fabrikanten, kan føre til brand, elektrisk stød eller personskader.
- Stik ikke nogen genstande i rillerne eller åbningerne op kedlen.
- Dette apparat er kun beregnet til almindelig husholdningsbrug. Apparatet må ikke bruges udendørs.
- Dette apparat kan bruges af børn over 8 år, hvis de er under opsyn og har modtaget undervisning i hvordan apparatet skal bruges sikkert og hvilke farer, det indebærer. Rengøring og vedligeholdelse må ikke udføres af børn, medmindre de er ældre end 8 år og under opsyn. Hold apparatet og dets ledningen utilgængeligt for børn under 8 år.
- Apparatet er beregnet til brug i hjemmet og lignende steder, som fx:
 - Personalekøkkener i butikker, kontorer og andre arbejdspladser;
 - På gårde;
 - Af gæster på hoteller, moteller og andre boligmiljøer;
 - Bed-and-breakfast-lignende miljøer.

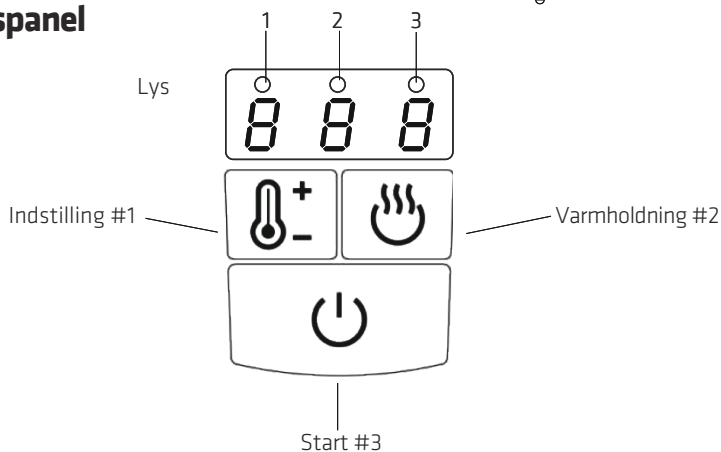
- ADVARSEL: Låget må aldrig åbnes, når vandet koger.
- FORSIGTIG: Placer låget, så dampen ledes væk fra håndtaget.
- FORSIGTIG: Sørg for, at apparatet er slukket, før det løftes af foden.
- FORSIGTIG: Vær forsigtig, og undgå at spilde vand på stikket.
- Forkert brug af apparatet kan forårsage alvorlige forbrændinger. Du skal derfor skal være meget opmærksom.
- Forsøg ikke at åbne ind i kedelens beholder, varmeelementets overflade, da de udsættes for restvarme efter brug.
- Børn må aldrig lege med dette apparat.

Følg ovenstående sikkerhedsforholdsregler

Produktoversigt



Betjeningspanel



Beskrivelse af knappernes funktioner

- #1 knap: Temperaturknap (det er muligt, at vælge mellem indstillingerne 100-40-60-70-80-90 °C i denne rækkefølge)
- #2 knap: Varmholdning-knap
- #3 knap: Start-knap (tryk på denne knap for at starte/annullere vandopvarmningen)

Indikatorlys 1, 2, 3:

- (1) Når vandet opvarmes til en indstillet temperatur (uden brug af varmholdningsfunktionen): Lysindikator 1 lyser
 - (2) Når vandet varmes på varmholdningsfunktion 1: Lysindikator 1 og 2 lyser på samme tid
 - (3) Når vandet varmes på varmholdningsfunktion 2: Lysindikator 1, 2 og 3 lyser på samme tid
- * Varmholdningsfunktion 1: Når vandet er opvarmet til den indstillede temperatur, går produktet på varmholdningsfunktionen (denne funktion er ikke mulig på 100 °C)
 - * Varmholdningsfunktion 2: Når vandet når den indstillede temperatur, efter det har nået kogepunktet, går produktet på varmholdningsfunktionen (denne funktion er ikke mulig på 100 °C)

Bemærk:

Varmholdningsfunktionen er ikke mulig på 100 °C. Hvis den indstillede temperatur er 100 °C, er standardtemperaturen for varmeholdningen 90 °C, når vandet har nået kogepunktet. På alle indstillede temperaturer går produktet på standby efter 60 minutter varmeholdning. Derefter slukker produktet, når det har været på standby i 5 minutter.

- * Hukommelsesfunktion: Hvis kedlen løftes under varmeholdning, og sætte tilbage inden for 3 minutter (± 1 min), og hvis ændringen i vandtemperaturændringen er mindre end 8 °C, forbliver produktet på varmholdningsfunktionen. Ellers går produktet på standby.

Sådan bruges apparatet

Når produktet bruges for første gang eller hvis det ikke har været brugt i lang tid, anbefales det at fylde det helt op med frisk vand fra hanen, koge det og hælde det ud. Gør dette mindst 2 gange for, at rense kedlen for små partikler. Det kogte vand må ikke drikkes.

1. Tryk på låge-låsen oven på låget og åbn det.
2. Tag kedlen af foden. Fyld kedel med den ønskede mængde vand (ikke under minimumsmærket og ikke over maksimumsmærket). Sæt låget på igen, og sæt kedlen på foden.
3. Sæt stikket i en stikkontakt (220-240 V, AC). Tænd kedlen ved at trykke på afbryderen. Lyset lyser for at indikere, at kedlen varmer.
4. Kedlen slukker automatisk, når vandet er kogt, og neonlyset slukker.
5. Løft kedlen af foden, hvorefter vandet kan hældes i koppen.

Betjening

1. Når produktet tændes, lyder der et bip, og LED-skærmen og alle lysindikatorerne lyser. Efter ca. 2 sekunder går produktet på standby og det viser den aktuelle vandtemperatur;
 - Hvis du vil koge vandet, skal du følge vejledningerne frem til trin 2;
 - Hvis du vil varme vandet til den indstillede temperatur, skal du følge vejledningerne frem til trin 3;
 - Hvis du vil varme vandet til den indstillede temperatur, og derefter holde vandet varmt (varmeholdningsfunktion 1), skal du følge vejledningerne frem til trin 4;
 - Hvis du vil koge vandet, og derefter holde vandet varmt (varmeholdningsfunktion 2), skal du følge vejledningerne frem til trin 5;
2. Når produktet er på standby, men uden en indstillet temperatur (dvs. visning af den aktuelle vandtemperatur), kan du klikke på knap #3 for, at varme vandet. Når vandet er varmet op til 100 °C, siger produktet 3 biplyde, hvorefter det går på standby.
3. Du kan trykke på #1 indstillingsknap for at indstille en temperatur. Temperaturen indstilles i følgende rækkefølge, 100-40-60-70-80-90 °C. Når temperaturen er blevet indstillet, lyser lysindikator 1. Tryk på knap #3 for at starte vandopvarmningen. Når vandet er varmet op til den indstillede temperatur, siger produktet 3 biplyde, hvorefter det går på standby.
4. Du kan trykke på #1 indstillingsknap for at indstille en temperatur (temperaturen indstilles i følgende rækkefølge: 100-40-60-70-80-90 °C). Når temperaturen er blevet indstillet, lyser lysindikator 1. Tryk på knap #2 til varmeholdning for, at indstille vandopvarmning og varmeholdningsfunktion 1. Når lysindikator 1 og 2 lyser, er varmeholdningsfunktion 1 indstillet. Du kan trykke på startknap #3 for at starte vandopvarmningen. Når den indstillede temperatur nås, siger produktet 3 biplyde, hvorefter det går på varmeholdningsfunktionen. Det indstillede temperaturområde opretholdes på varmeholdningen (hvis vandmængden er 1,0-1,7 liter, sættes temperaturen den indstillede temperatur ± 3 °C. Hvis vandmængden er 1,0-0,5 liter (uden 1,0), er temperaturen den indstillede temperatur ± 5 °C). efter 60 ± 2 min slukker produktet (du kan trykke på indstillingsknap #1 eller varmeholdningsknap #2 først for, at indstille varmeholdningsfunktionen).
5. Du kan trykke på #1 indstillingsknap for at indstille en temperatur (temperaturen indstilles i følgende rækkefølge: 100-40-60-70-80-90 °C). Når temperaturen er blevet indstillet, lyser lysindikator 1. Tryk to gange på knap #2 til varmeholdning for, at indstille vandopvarmning og varmeholdningsfunktion 2. Når lysindikator 1, 2 og 3 lyser, er varmeholdningsfunktion 2 indstillet. Du kan trykke på startknap #3 for at starte vandopvarmningen. Når vandet koger, siger produktet 3 biplyde, hvorefter det går på varmeholdningsfunktionen. Det indstillede temperaturområde opretholdes på varmeholdningen (hvis

vandmængden er 1,0-1,7 liter, sættes temperaturen den indstillede temperatur ± 3 °C. Hvis vandmængden er 1,0-0,5 liter (uden 1,0), er temperaturen den indstillede temperatur ± 5 °C). efter 60 ± 2 min slukker produktet. (Du kan trykke på indstillingsknap #1 eller varmeholdningsknap #2 først for, at indstille varmeholdningsfunktionen).

Bemærkninger:

1. Uanset hvilken funktion produktet står på, kan du altid tryk på knap #3 for, at annullere den aktuelle handling, så produktet kan gå tilbage på standby.
2. Kan indstille temperaturen under brug. Men det er ikke muligt, at skifte mellem "Varmeholdning 1" og "Varmeholdning 2". Den aktuelle funktion skal først annulleres, hvorefter produktet går tilbage til standby, hvorefter du kan skifte "Varmeholdningsfunktion".
3. Når produktet er på standby, og du trykker på indstillingsknappen eller varmeholdningsknappen for, at indstille temperaturen (dvs. se den indstillede temperatur), og trykker på startknap #3 inden for 3 sekunder, starter vandopvarmningsfunktion, som du har indstillet. Hvis du ikke trykker på startknap #3 inden for 3 sekunder, går produktet tilbage til en tilstand, der ikke er temperaturindstillet (dvs. den aktuelle vandtemperatur vises). Og hvor hvis du trykker på startknap #3, varmes vandet til 100 °C.
4. Hvis varmeholdningsfunktion 1 eller 2 er indstillet, kan temperaturen kun justeres til 40-60-70-80-90 °C, når du justerer den indstillede temperatur på indstillingsknappen.
5. Når produktet er på standby, skal du følge relevante betjeningstrin igen for, at gå sætte produktet på den tilsvarende indstillede vandopvarmningsfunktion eller på varmeholdningsfunktion.

Fejlkode

Bemærk

Fejlkode	Betydning
E1	Sensorens åbne kredsløb
E2	Sensor-kortslutning
E3	Overophedning (over 120 °C)
E4	Nul krydssignal er unormalt
E7	Sensorens temperatur er unormal

RENGØRING

- For at forlænge kedelens levetid, skal du regelmæssigt rengøre den for kalk.
 - Træk altid stikket ud af stikkontakten, og lad kedlen køle af før rengøring.
 - Brug ikke kemikalier, ståluld eller slibemidler til rengøring af kedlen. Disse vil ridse overfladen og gøre at den udvendige farve falmer.
1. Fyld kedel med 0,5 liter hvid eddike og resten med vand og lad stå i over 1 time
 2. Hæld blandingen ud af kedlen. Tør resterne af med en fugtig klud.
 3. Fyld kedlen med rent vand, kog vandet og hæld det ud. Gentag dette, hvorefter kedlen er klar til brug.
 4. Gentag dette flere gange, hvis nødvendigt.
 5. Kedlen må ikke nedsænkes i vand. Overfladen på kedlen kan tørres af med en fugtig klud og poleres med en blød, tør klud.
 6. Tag fat for oven på kalkfilteret, og træk det opad for at fjerne det. Vask det med rent vand og tør det grundigt af, inden du sætter det i kedlen igen.

SPECIFIKATIONER

Model	NOMINEL SPÆNDING	NOMINEL EFFEKT	KAPACITET
POKE17GLDIG1	220-240V~ 50/60Hz	1850-2200W	1.7L



Dette symbol på produktet eller i vejledningen betyder, at dit elektriske og elektroniske udstyr ikke må bortskaffes med det almindelige husholdningsaffald, når det er slidt op. Der findes separate indsamlingssystemer til genanvendelse i EU. Yderligere oplysninger fås hos de lokale myndigheder eller hos den forhandler, hvor du købte produktet.

Importeret og markedsføres udelukkende af:

Power International AS,
PO Box 523, N-1471 Lørenskog, Norway

Power Norge:

<https://www.power.no/kundeservice/>

T: 21 00 40 00

Expert Danmark:

<https://www.expert.dk/kundeservice/>

T: 70 70 17 07

Power Danmark:

<https://www.power.dk/kundeservice/>

T: 70 33 80 80

Punkt 1 Danmark:

<https://www.punkt1.dk/kundeservice/>

T: 70 70 17 07

Expert Finland:

<https://www.expert.fi/tuki/asiakaspalvelu/>

T: 020 7100 670

Power Finland:

<https://www.power.fi/tuki/asiakaspalvelu/>

T: 0305 0305

Power Sverige:

<https://www.power.se/kundsservice/>

T: 08 517 66 000

VIKTIGA SÄKERHETSINSTRUKTIONER

- Läs noga igenom och spara alla instruktionerna.
- För ytterligare skydd rekommenderar vi att man använder ett eluttag med 10 A märkström. För att undvika överbelastning ska du inte använda fler apparater med hög effekt på samma krets samtidigt.
- Fyll inte vattenkokaren när den står på basplattan. Torka upp vatten på basplattan innan du ställer tillbaka vattenkokaren på den elektriska basplattan.
- Lämna aldrig apparaten utan uppsikt när den används.
- Noggrann uppsikt är nödvändig när apparaten används i närheten av barn eller rörelsehindrade personer.
- Vattenkokaren måste användas på ett plant underlag. Placera inte vattenkokaren på eller i närheten av en het gas- eller elektrisk spis eller ovanpå andra elektriska apparater.
- Rör inte vid varma ytor, använd handtaget. Var uppmärksam på ånga som kommer från pipen eller locket, speciellt när du ska fylla på vattenkokaren. Ta inte av locket med vattnet kokar upp.
- Använd inte vattenkokaren för att värma någonting annat än vatten. Fyll inte på över "max"-märket. Använd inte vattenkokaren om vattennivån är lägre än minimumindikationen.

- Låt inte elsladden hänga över kanten på ett bord eller en arbetsbänk eller vidröra heta ytor. Förvara alltid den överskottsdelen av elsladden inuti basenheten.
- Sänk inte ner någon del av apparaten i vatten eller någon annan vätska. Använd inte apparaten med en förlängningssladd om inte sladden har kontrollerats och testats av en kvalificerad tekniker eller serviceperson. Använd alltid apparaten med ett eluttag med samma strömstyrka (växelström enbart) som anges på apparaten.
- Om strömsladden är skadad måste den bytas av tillverkaren eller auktoriserade personer.

OBS! Om vattenkokaren är överfylld, kan kokande vatten stänka ut. Vattenkokaren ska endast användas med det medföljande stativet.

WARNING: Starta inte om det finns en risk att vattnet i vattenkokaren är fruset.

- Dra alltid ut kontakten ur eluttaget under följande omständigheter: Inget vatten i vattenkokaren, påfyllning av vatten, vattenkokaren används inte, före rengöring eller vattenkokaren ska flyttas.
 - Ring avgiftsfritt kundtjänstnummer för information eller retur till kundtjänstavdelningen för undersökning och reparation. Reparera aldrig apparaten på egen hand.
- WARNING: För att minska risken för brand eller elektriska

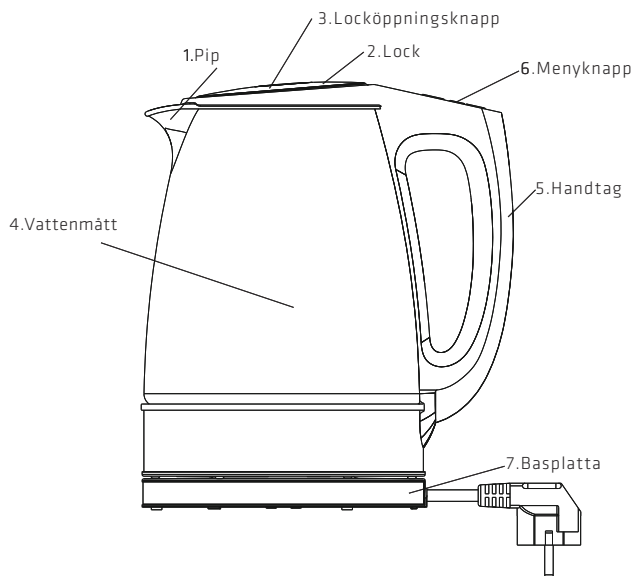
stötar. Ta inte bort bottenhöljet på enheten eller den elektriska basplattan på egen hand.

- Använd inte någon annan basenhet än den som medföljer. Användning av tillbehör som inte rekommenderas av tillverkaren kan orsaka brand och elektriska stötar eller personskador.
- Stoppa inte in några föremål i öppningar eller hål på vattenkokaren.
- Denna apparat är endast till för hushållsbruk. Använd inte utomhus.
- Den här apparaten får användas av barn från 8 år och uppåt om det sker under uppsyn eller om de får anvisningar om hur man använder apparaten på ett säkert sätt och om de förstår riskerna. Rengöring och underhåll skall inte utföras av barn om de inte fyllt 8 år och har tillsyn. Håll apparaten och kabeln utom räckhåll för barn som är yngre än 8 år.
- Den här apparaten är avsedd för användning i hushåll och liknande användningsområden, exempelvis:
 - Personalkök i affärer, kontor och andra arbetsplatser;
 - Mangårdsbyggnader;
 - Av gäster på hotell, motell och andra former av boendemiljöer;
 - Frukostserveringar.

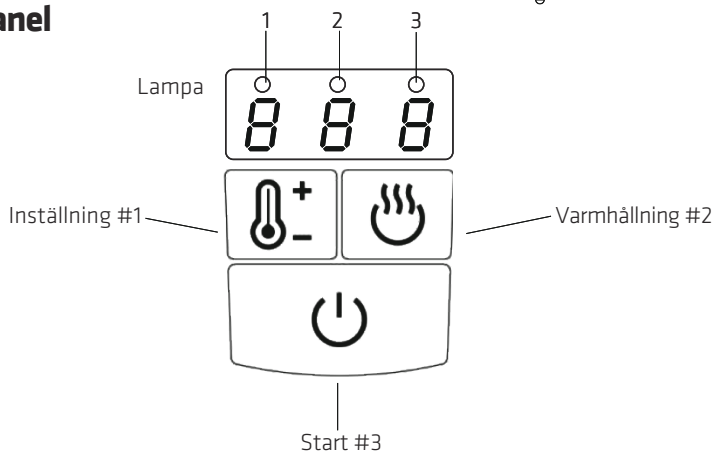
- VARNING: Ta inte av locket medan vattnet kokar.
- FÖRSIKTIGHET: Placera locket så att ångan riktas bort från handtaget.
- FÖRSIKTIGHET: Se till att apparaten är avstängd innan den tas bort från basplattan.
- FÖRSIKTIGHET: Var försiktigt och undvik att spilla på kontakten.
- Felaktig användning kan orsaka svåra brännskador, och därför måste uppmärksamhet iakttas.
- Försök inte komma åt insidan på vattenkokaren, elementets yta eftersom de fortfarande är varma efter användning.
- Barn får inte leka med apparaten.

Följ ovanstående försiktighetsåtgärder

Produktöversikt



Kontrollpanel



Beskrivning av knappfunktioner

#1 Knapp : Temperaturinställningsknapp (inställningarna är 100-40-60-70-80-90 °C, i ordning)

#2 Knapp : Varmhållningsknapp

#3 Knapp : Startknapp (tyck på knappen för att starta/avbryta uppvärmningsfunktionen)

Indikatorlampor 1, 2, 3:

- (1) När vattnet är uppvärmt till den inställda temperaturen (utan att varmhållningsfunktionen används): Indikatorlampa 1 tänds
 - (2) När vattnet är uppvärmt på varmhållningsläge 1: Indikatorlampa 1 och 2 tänds samtidigt
 - (3) När vattnet är uppvärmt på varmhållningsläge 2: Indikatorlampa 1, 2 och 3 tänds samtidigt
- * Varmhållningsläge 1: När vattnet har värmts upp till den inställda temperaturen, övergår produkten till varmhållningsläge (Varmhållning finns inte på 100 °C)
 - * Varmhållningsläge 2: När vattnet når den inställda temperaturen efter att ha kokat, övergår produkten till varmhållningsläge (Varmhållning finns inte på 100 °C)

OBS:

Varmhållning finns inte på 100 °C. Om den inställda temperaturen är 100 °C, är standardtemperaturen för varmhållning 90 °C efter att vattnet kokat. För alla inställda temperaturer övergår produkten till vänteläge efter 60 min. varmhållning, och produkten stängs av efter 5 min. i vänteläge.

- * Minnesfunktion: Om man lyfter av kannan under varmhållning men sätter tillbaka den inom 3 min. (± 1 min.) och ändringen av vattentemperaturen efter att kannan satts tillbaka är 8 °C lägre än den var innan kannan lyftes av, kommer produkten att behålla den tidigare varmhållningsfunktionen kontinuerligt. I annat fall går produkten tillbaka till vänteläge.

Användning

Vid första användningen eller efter lång tid utan användning bör kannan fyllas till maxnivån med kranvatten, koka upp och töm kannan minst 2 gånger för att rengöra från partiklar. Drick inte det kokade vattnet.

1. Tryck på locklåset ovanpå locket, och öppna locket.
2. Ta bort kannan från basplattan. Fyll vattenkokaren med önskad mängd vatten (inte mindre än minimumnivån och inte mer än maxnivån). Sätt tillbaka locket och sätt vattenkokaren på basplattan.
3. Sätt kontakten i eluttaget (220-240 V, växelström), starta vattenkokaren genom att trycka på strömbrytaren. Lampan tänds för att indikera att vattenkokaren håller på att värmas.
4. Kannan stängs automatiskt av när vattnet har kokat upp och indikatorn slocknar.
5. Lyft av vattenkokaren från basplattan, och nu kan du hålla över vattnet i en behållare.

Användning

1. När produkten startas hörs en ljudsignal och LED-skärmen och alla indikatorer tänds. Efter ungefär 2 sek. övergår produkten till vänteläget, och skärmen visar temperaturen.
 - Om du vill värma upp vattnet till kokning, följ steg 2.
 - Om du vill värma upp vattnet till den inställda temperaturen, följ steg 3.
 - Om du vill värma upp vattnet till den inställda temperaturen och därefter hålla varmt (varmhållningsläge 1), följ steg 4.
 - Om du vill värma upp vattnet till kokning och därefter hålla varmt (varmhållningsläge 2), följ steg 5.
2. I vänteläge men utan temperaturinställning (dvs. visa vattentemperaturen), klicka på knapp #3 för att starta uppvärmningen av vattnet. När vattnet har värmts till 100 °C ljuder summern 3 gånger och produkten övergår till vänteläget.
3. Tryck på inställningsknapp #1 för att ställa in en temperatur, och temperaturinställningarna är i tur och ordning 100-40-60-70-80-90 °C. När en temperatur har ställts in tänds indikator 1. Tryck på knapp #3 för att starta uppvärmning, när vattnet har nått den inställda temperaturen ljuder summern 3 gånger och produkten övergår till vänteläge.
4. Tryck på inställningsknapp #1 för att ställa in en temperatur (temperaturinställningarna är i tur och ordning 100-40-60-70-80-90 °C). När en temperatur har ställts in tänds indikator 1. Tryck på varmhållningsknapp #2 för att ställa in uppvärmning och varmhållningsläge 1. När indikator 1 och 2 tänds är inställningen av varmhållningsläge 1 klar. Tryck på startknapp #3 för att starta uppvärmning. När den inställda temperaturen är nådd ljuder summern 3 gånger och produkten övergår till varmhållningsläge. Det inställda temperaturintervallet bibehålls under varmhållning (om vattenmängden är 1,0-1,7 liter är temperaturen den inställda temperaturen ± 3 °C, om vattenmängden är 1,0-0,5 liter (exklusive 1,0) är temperaturen den inställda temperaturen ± 5 °C). Efter 60 \pm 2 min. stängs produkten av. (Du kan godtyckligt trycka på inställningsknapp #1 eller varmhållningsknapp #2 först för att ställa in varmhållningsläget.)
5. Tryck på inställningsknapp #1 för att ställa in en temperatur (temperaturinställningarna cirkulerar i tur och ordning 100-40-60-70-80-90 °C). När en temperatur har ställts in tänds indikator 1. Dubbeltryck på varmhållningsknapp #2 för att ställa in uppvärmning och varmhållningsläge 2. När indikator 1, 2 och 3 tänds är inställningen av varmhållningsläge 2 klar. Tryck på startknapp #3 för att starta uppvärmning. När vattnet nått kokpunkten ljuder summern 3 gånger och produkten övergår till varmhållningsläge. Det inställda temperaturintervallet bibehålls under varmhållning (om vattenmängden är 1,0-1,7 liter är temperaturen den inställda temperaturen ± 3 °C, om vattenmängden är 1,0-0,5 liter (exklusive 1,0) är temperaturen den

inställda temperaturen ± 5 °C). Efter 60 ± 2 min. stängs produkten av. (Du kan godtyckligt trycka på inställningsknapp #1 eller varmhållningsknapp #2 först för att ställa in varmhållningsläget.)

Anmärkningar:

1. Oavsett vilket läge du använder, kan du trycka på knapp #3 för att avbryta funktionen, så att produkten kan återgå till vänteläget.
2. När produkten är igång är det tillåtet att ställa in någon temperatur. Det är däremot inte tillåtet att växla över mellan "varmhållningsläge 1" och "varmhållningsläge 2". Den aktuella funktionen måste avbrytas så att produkten återgår till vänteläget innan du kan byta "varmhållningsläge".
3. När du trycker på inställnings- eller varmhållningsknappen i vänteläget för att öppna temperaturinställningsläget (dvs. visa den inställda temperaturen), tryck på startknapp #3 inom 3 s. för att starta uppvärmningsfunktionen som du (användaren) ställt in. Om du inte trycker på startknapp #3 inom 3 s. återgår produkten till ett läge utan temperaturinställning (dvs. visa vattnets temperatur), men om du trycker på startknapp #3 kommer uppvärmningsfunktionen till 100 °C att starta direkt.
4. Om du har ställt in varmhållningsläge 1 eller 2 kan temperaturen bara justeras till 40-60-70-80-90 °C när du justerar genom inställningsknappen.
5. I väntelägena måste du följa relevanta driftssteg för att öppna rätt uppvärmnings- eller varmhållningsläge.

Felkod

Anmärkning

Felkod	Betydelse
E1	Sensor för öppen krets
E2	Sensor för kortslutning
E3	Övertemperatur (över 120 °C)
E4	Signal vid nollgenomgång är onormalt
E7	Sensor för onormal temperatur

PUHDISTUS

- Pidentääksesi vesipannun käyttöikä, puhdista vesipannun mineraalijäämät säännöllisesti.
- Irrota pistoke aina pistorasiasta ja anna pannun jäähtyä ennen puhdistusta.
- Älä käytä kemikaaleja, teräsvillaa tai hiovia puhdistusaineita vesipannun ulkopinnan puhdistamiseen, ne naarmuttavat pintaa ja haalistavat ulkopinnan värin.

1. Lisää vesipannuun 0,5 l valkoviinietikkaa ja loput vettä ja jätä seisomaan yli 1 tunniksi
2. Tyhjennä liuos pannusta. Pyyhi jäämät pois kostealla liinalla.
3. Täytä pannu puhtaalla vedellä, kiehuta se ja sen jälkeen kaada vesi pois. Toista sama, sen jälkeen pannu on valmis käyttöön.
4. Tarvittaessa toista menettelyt useita kertoja.
5. Älä upota pannua veteen. Vesipannun pinnan voi pyyhkiä kostealla liinalla ja kiillottaa pehmeällä, kuivalla liinalla.
6. Tartu kalkinsuodattimeen ja vedä ylöspäin poistaaksesi sen. Pese suodatin puhtaalla vedellä ja kuivaa perusteellisesti ennen asettamista takaisin vesipannuun.

TEKNISET TIEDOT

Malli	NIMELLISJÄNNITE	NIMELLISVIRTA	TILAVUUS
POKE17GLDIGI	220-240V~ 50/60Hz	1850-2200W	1.7L



Tämä merkki tuotteessa tai käyttöohjeessa merkitsee sitä, että sähkö- ja elektroniikkalaitteita ei saa hävittää normaalin kotitalousjätteen mukana kun niiden käyttöikä päättyy.

Niille on erilliset kierrätysjärjestelmät EU:ssa. Pyydä lisätietoa kunnallisilta viranomaisilta tai jälleenmyyjältä, jolta ostit tuotteen.

Maahantuonti ja markkinointi yksinoikeudella:

Power International AS,
PO Box 523, N-1471 Lørenskog, Norway

Power Norjassa:

<https://www.power.no/kundeservice/>

P: 21 00 40 00

Expert Tanskassa:

<https://www.expert.dk/kundeservice/>

P: 70 70 17 07

Power Tanskassa:

<https://www.power.dk/kundeservice/>

P: 70 33 80 80

Punkt 1 Tanskassa:

<https://www.punkt1.dk/kundeservice/>

P: 70 70 17 07

Expert Suomessa:

<https://www.expert.fi/tuki/asiakaspalvelu/>

P: 020 7100 670

Power Suomessa:

<https://www.power.fi/tuki/asiakaspalvelu/>

P: 0305 0305

Power Sverige:

<https://www.power.se/kundsservice/>

P: 08 517 66 000

