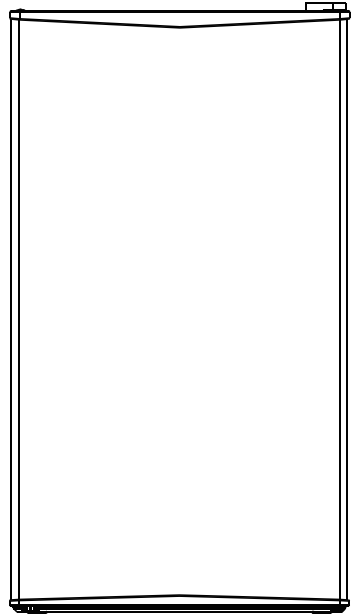




USER MANUAL

Compact Refrigerator

Power supply: AC115V
Frequency: 60Hz
Capacity: 3.3cu.ft.



Warning:

Before using this product, please read this manual carefully and keep it for future reference. The design and specifications are subject to change without prior notice for product improvement. Consult with your dealer or manufacturer for details.

version A - 02 - 2025

Free 3 months extension of the original limited warranty period!* Simply text a picture of your proof of purchase to:

1-844-224-1614

*The warranty extension is for the three months immediately following the completion of the product's original warranty period. Individuals do not need to register the product in order to get all the rights and remedies of registered owners under the original limited warranty.

**MODEL NUMBER MRM33S4AWWC
MRM33S4ASLC
MRM33B2ABB
www.midea.ca**

Dear user

Thank you for letting Midea help you "make yourself at home." This manual is part of our commitment to your total satisfaction. Please read this manual carefully before use and keep it in a convenient place for future reference.

To help us serve you better, please consider registering your product using our convenient Midea app MSmartlife, by visiting **<http://www.midea.ca>**, or by texting a picture of your proof of purchase to **1-844-224-1614**.

By using the text option you will earn an additional 3 months warranty extension immediately following the completion of the product's original warranty.

| | |
|-------------------------------------|-----------|
| REFRIGERATOR SAFETY | 3 |
| OPERATION REQUIREMENTS | 6 |
| Location Requirements..... | 6 |
| Electrical Requirements..... | 7 |
| PARTS AND FEATURES | 8 |
| INSTALLATION..... | 9 |
| Unpack..... | 9 |
| Move to Final Location..... | 9 |
| Level Refrigerator..... | 10 |
| Reverse the Door Swing..... | 10 |
| BEFORE USE | 12 |
| Waiting Period..... | 12 |
| Cleaning..... | 12 |
| REFRIGERATOR USE..... | 13 |
| General..... | 13 |
| Controls..... | 14 |
| REFRIGERATOR CARE..... | 14 |
| Cleaning..... | 14 |
| Defrosting..... | 15 |
| Moving..... | 16 |
| Storage..... | 16 |
| TROUBLESHOOTING | 17 |

REFRIGERATOR SAFETY

YOUR SAFETY AND THE SAFETY OF OTHERS ARE VERY IMPORTANT

To prevent injury to the user or other people and property damage, the instructions shown here must be followed. Incorrect operation due to ignoring of instructions may cause harm or damage, including death.

The level of risk is shown by the following indications.



This symbol indicates the possibility of death or serious injury.



This symbol indicates the possibility of injury or damage to property.



This symbol indicates the possibility of dangerous voltage constituting a risk of electrical shock is present that could result in death or serious injury.

IMPORTANT SAFETY INSTRUCTIONS

WARNING

GENERAL APPLIANCE SAFETY

- Read all safety warnings, instructions, illustrations and specifications provided with this appliance. Failure to follow all instructions listed below may result in electric shock, fire and/or serious injury.
- Save all warnings and instructions for future reference.

ELECTRICAL SAFETY

- Plug into a grounded 3-prong outlet.
- Do not remove ground plug.
- Do not use an adapter.
- Unplug the power cord by holding the plug, never by pulling the cord.
- DO NOT turn the appliance on or off by plugging or unplugging the power cord.
- DO NOT use an extension cord.
- Unplug the refrigerator before cleaning or defrosting.

Grounding requirement

- This refrigerator must be grounded. This refrigerator is equipped with a grounding plug. The plug must be inserted into an outlet that is properly installed and grounded.

- Improper use of the grounding plug can result in a risk of electric shock. Consult a qualified electrician or service person if the grounding instructions are not completely understood or if doubt exists as to whether the refrigerator is properly grounded.

LOCATION SAFETY

- This refrigerator is intended to be used in household and similar environments.
- Install in accordance with the manufacturer's instructions.
- This refrigerator should not be recessed or built-in an enclosed cabinet. It is designed for freestanding installation only.
WARNING - Keep ventilation openings, in the refrigerator, clear of obstruction.
- DO NOT install near any heat sources, such as radiators, heat registers, stoves, other cooking appliances or in direct sunlight.
- DO NOT store or use gasoline or any flammable liquids inside or in the vicinity of this refrigerator.
- Do not store explosive substances such as aerosol cans with a flammable propellant in this appliance.

USE AND CARE SAFETY

- Flammable refrigerant used. Follow handling instructions carefully. Risk of fire or explosion due to puncture of refrigerant tubing.
- Flammable refrigerant used. Do not use mechanical devices to defrost freezer. Do not puncture refrigerant tubing.
- In the event of a gas leak in the location where the refrigerator is used, turn off the gas, open doors and windows and evacuate the building. DO NOT unplug the refrigerator as this may cause a spark.
- Do not use electrical appliances inside the food storage compartment of the appliance, unless they are of the type recommended by the manufacturer.
- This appliance is not intended for use by persons (including children) with reduced physical, sensory or mental capabilities, or lack of experience and knowledge, unless they have been given supervision or instruction concerning use of the appliance by a person responsible for their safety.
- Keep key away from children.
- Children should be supervised to ensure that they DO NOT play with the appliance.
- DO NOT touch the interior of the freezer with wet hands. This could result in frostbite.
- Clean only with a damp cloth. Use nonflammable cleaner.

SERVICE SAFETY

- Disconnect power before servicing.
- Flammable refrigerant used. To be repaired only by trained service personnel. Do NOT puncture refrigerant tubing.

- Refer all servicing to qualified service personnel. Do not repair or replace any part of this appliance unless specifically recommended in this manual. Servicing is required when the appliance has been damaged in any way, such as the power supply cord or plug is damaged, liquid has been spilled or objects have fallen into the appliance, the appliance has been exposed to rain or moisture, does not operate normally, or has been dropped.
- If the supply cord is damaged, it must be replaced by the manufacturer, its service agent, or similarly qualified person, in order to avoid a hazard.
- If component part is damaged, it must be replaced by the manufacturer, its service agent or similarly qualified persons in order to avoid a hazard.
- Replace all parts and panels before operating.

SAVE THESE INSTRUCTIONS

THIS APPLIANCE IS FOR HOUSEHOLD USE ONLY

State of California Proposition 65 Warnings:



WARNING: Cancer and Reproductive Harm
-www.P65Warnings.ca.gov.

PROPER DISPOSAL



WARNING

Suffocation Hazard

Before you throw away your old refrigerator:

- Remove the door or lid so that children cannot hide or get trapped inside your old appliance.
- Leave any shelves in place so that children may not easily climb inside.
- Failure to follow these instructions can result in death or brain damage.

IMPORTANT: Flammable gas, refrigerant and foam. It is the consumer's responsibility to comply with Federal and Local regulations when disposing of this product. Refrigerants must be evacuated by a licensed, EPA certified refrigerant technician in accordance with established procedures.

OPERATION REQUIREMENTS

LOCATION REQUIREMENTS

WARNING

Explosion and Fire Hazard

- Keep flammable materials and vapors, such as gasoline, away from appliance.
- Failure to do so, can result in death, explosion or fire.

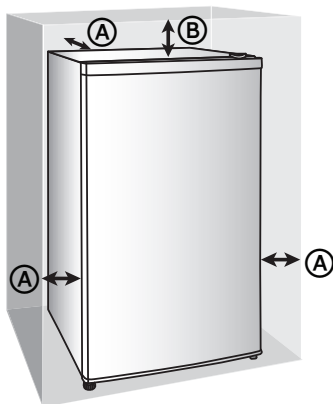
This refrigerator is designed to be freestanding only, and should not be recessed or built-in.

- Place your refrigerator on a floor that is level and strong enough to support the refrigerator when it is fully loaded.
- Place your refrigerator where there is access to the required electrical connection. See “Electrical Requirements.”
- Locate the refrigerator away from direct sunlight and sources of heat, such as a stove, heater or radiator.

NOTES:

- Direct sunlight may affect the acrylic coating and heat sources may increase electrical consumption.
- Extremely cold temperatures may also prevent the refrigerator from performing properly.
- Avoid locating the refrigerator in areas with high humidity.
- Adequate air circulation is required for efficient operation. Maintain the recommended clearance to ensure adequate air circulation.

RECOMMENDED CLEARANCE



- Ⓐ 4" (10 cm) Clearance at the back and both sides of the refrigerator
- Ⓑ 10¾" (30 cm) Clearance at the top

NOTE: If you place the refrigerator next to a fixed wall, allow sufficient space on the hinge-side for the door to swing open.

ELECTRICAL REQUIREMENTS

WARNING

Electrical Shock Hazard

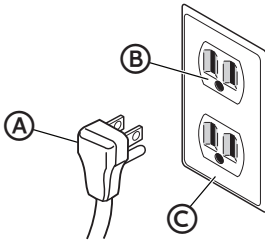
- Plug into a grounded 3-prong outlet.
- Do not remove the ground prong from the power cord plug.
- Do not use an adapter.
- Do not use an extension cord.
- Failure to do so can result in death, fire or electrical shock.

IMPORTANT: A 115 Volt, 60 Hz., AC only, 15-amp fused, grounded electrical supply is required.

- Use an electrical outlet that accepts the grounding prong.

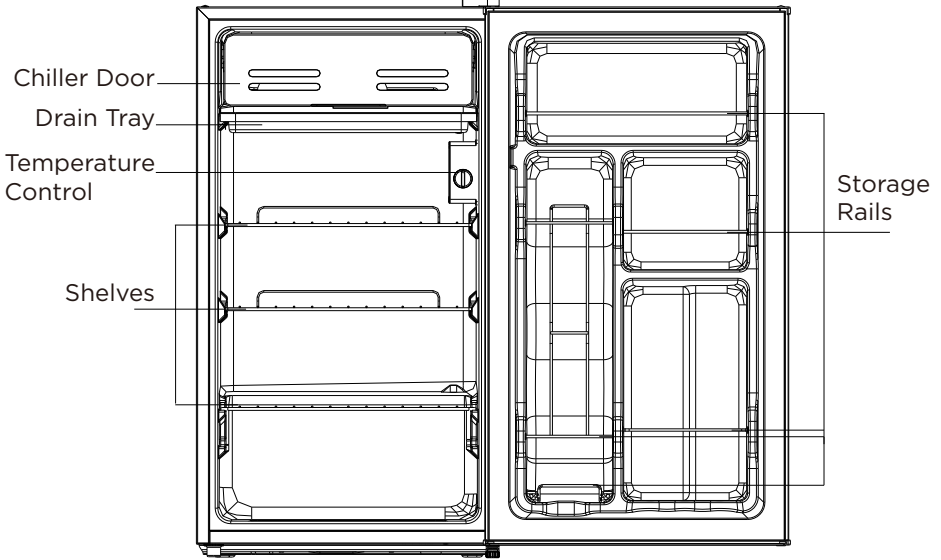
NOTE: The power cord is equipped with a 3-prong (grounding) plug which mates with a standard 3-prong (grounding) electrical outlet.

- We recommend that the refrigerator be plugged into an electrical circuit serving ONLY this appliance.
- Use an electrical outlet that cannot be turned off with a switch or pull-chain.
- DO NOT use an extension cord.



- Ⓐ 3-prong plug
- Ⓑ 3-prong receptacle
- Ⓒ Receptacle box cover

PARTS AND FEATURES



(The picture above is only for reference. The actual configuration will depend on the physical product.)

SPECIFICATIONS

| | |
|--------------------|--|
| Dimension (WxDxH) | 18.6" x 17.7" x 33.9" (47.2 x 45.0 x 86.0 cm) |
| Power requirements | AC115 V /60 Hz |
| Power cord length | 67" (170 cm) |

INSTALLATION

UNPACK

WARNING

Fire or Explosion Hazard

- Do not puncture refrigerant tubing.
- Follow handling instructions carefully.
- Flammable refrigerant used.
- Failure to do so can result in death, explosion or fire.

IMPORTANT: Remove ALL exterior and interior packing materials including the foam packing between the exterior condenser and the refrigerator cabinet.

MOVE TO FINAL LOCATION

WARNING

Fire or Explosion Hazard

- Do not puncture refrigerant tubing.
- Follow handling instructions carefully.
- Flammable refrigerant used.
- Failure to do so can result in death, explosion or fire.

IMPORTANT:

- If the refrigerator has been in a horizontal position for any period of time, wait 24 hours to allow the refrigerant to settle before plugging in the refrigerator.
- When moving the refrigerator, DO NOT tilt it beyond 45° from upright.

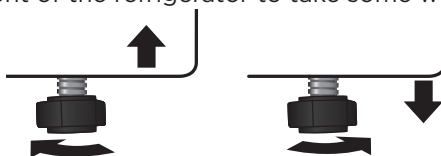
NOTE: Tilting the refrigerator more than 45° could damage the compressor and the sealed system.

LEVEL REFRIGERATOR

IMPORTANT: Level the refrigerator for proper operation and to avoid cooling, frost and moisture problems that can occur when the door does not close properly.

1. Move the refrigerator to its final location. See “Move to Final Location.”
2. Place a carpenter’s level on the top of the refrigerator cabinet.
3. Adjust the two leveling feet, (one foot located at each of the two front corners of the refrigerator cabinet) until the refrigerator is level.

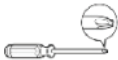



NOTE: The leveling feet are easier to adjust if you have someone push against the top front of the refrigerator to take some weight off the feet.



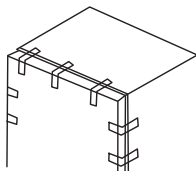
To Raise - Turn the leveling feet clockwise.

To Lower - Turn the leveling feet counterclockwise.

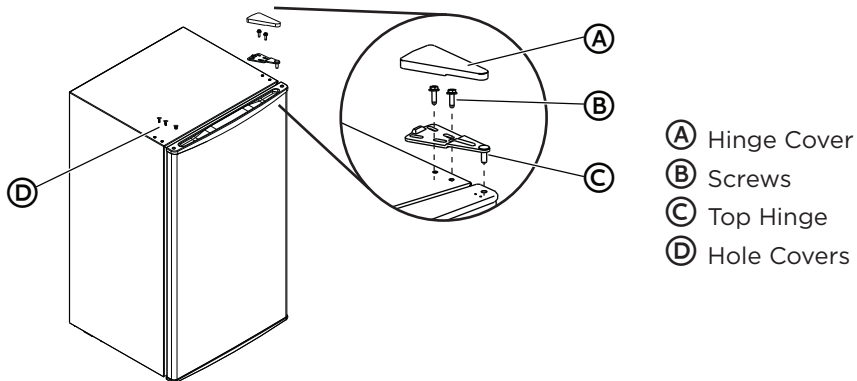
REVERSE THE DOOR SWING

| List of tools to be provided by the user | | | |
|---|--|---|---|
|  | Phillips-head Screwdriver |  | Putty knife Flat-head Screwdriver |
|  | $\frac{1}{16}$ " socket and ratchet |  | Masking tape |

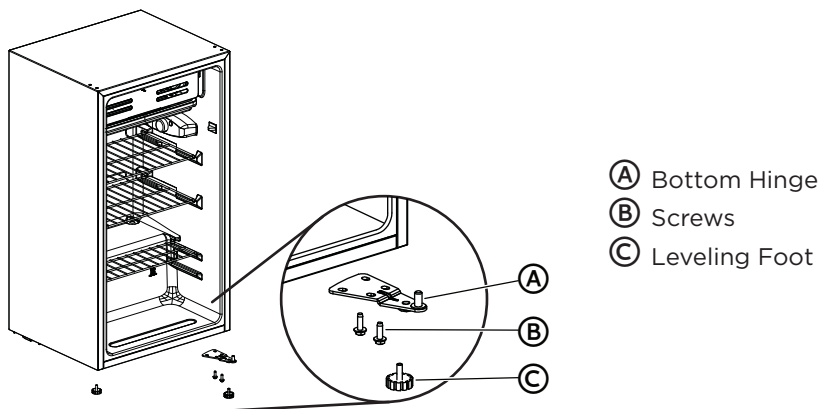
1. Unplug the refrigerator and remove all food from the door shelves. Tape the door in place with masking tape.



2. Remove the top right hinge cover. Unscrew the screws and remove the top, right-hand side hinge. Keep the screws to reuse. Remove the plastic screw hole covers from the top left side of the refrigerator.

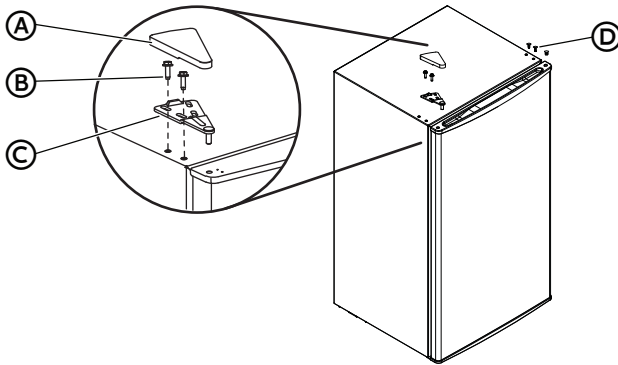


3. Lift the door up and away from your refrigerator.
4. Unscrew the screws on the bottom right-hand side hinge and remove the hinge and the leveling foot.



5. Unscrew the leveling foot from the bottom left side.
6. Install the bottom hinge onto the left side of the refrigerator.
7. Install the leveling foot on the right side of the refrigerator.
8. Carefully lift the refrigerator door and place it on the lower hinge.

9. Install the top hinge on the right side of the refrigerator.



- (A) Hinge Cover
- (B) Screws
- (C) Top Hinge
- (D) Hole Covers

10. Replace the hinge cover over the hinge. Place the plastic screw hole covers on the right side of the refrigerator.

(The picture above is only for reference. The actual configuration will depend on the physical product.)

BEFORE USE

WAITING PERIOD

- Before plugging the refrigerator into a grounded 3-prong electrical outlet, allow it to stand upright for approximately 2 hours.

NOTE: This reduces the possibility of a malfunction in the cooling system from improper handling during transportation.

CLEANING

1. Wash the refrigerator interior using a soft cloth dampened with a baking soda solution (2 tablespoons baking soda mixed with 1 quart of warm water).
2. Using a soft cloth, thoroughly dry all surfaces.

REFRIGERATOR USE

GENERAL

- The storage life of frozen foods varies and the recommended storage time should not be exceeded.
- Do NOT place beverage cans, bottles or other sealed containers of liquid in the freezer. Freezing may cause the containers to crack and leak, damaging the freezer.

WARNING

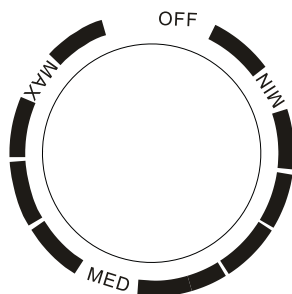
Electrical Shock Hazard

- Plug into a grounded 3-prong outlet.
 - Do not remove the ground prong from the power cord plug.
 - Do not use an adapter.
 - Do not use an extension cord.
 - Failure to do so can result in death, fire or electrical shock.
1. Plug in your refrigerator. Wait for 30 minutes, and then open the refrigerator door to determine if the refrigerator is working properly.
 2. Place frozen food into the refrigerator as quickly as possible after purchase. If there are instructions on the package, carefully follow these instructions regarding storage times.

ENERGY SAVING TIPS

- Allow hot foods to cool to room temperature before placing them in the refrigerator. Foods that freeze too slowly may lose quality or spoil.
- Overloading the refrigerator forces the compressor to run longer.
- Wrap foods properly and wipe containers dry before placing them in the refrigerator. This cuts down on frost build-up inside the refrigerator.
- Do not line refrigerator storage shelves with aluminum foil, wax paper or paper toweling. Liners interfere with cold air circulation, making the refrigerator less efficient.
- Organize and label food to reduce door openings and extended searches. Remove as many items as needed at one time, and then close the door as soon as possible.
- Do NOT add a large amount of unfrozen food to the refrigerator at one time. This will lower the cooling efficiency of the refrigerator.

CONTROLS



The controls are located inside your refrigerator. Turn the controls to adjust the temperature of your refrigerator. Start with the controls at the midpoint (MED) setting.

- To make the refrigerator cooler, turn the knob toward MAX.
- To make the refrigerator less cold, turn the control toward MIN.
- To turn the refrigerator off, turn the control to OFF. Your refrigerator will not cool when the control is set to OFF.

REFRIGERATOR CARE

Your refrigerator is designed for year-round use and requires minimal cleaning and maintenance. To keep your refrigerator running efficiently and odor free, we recommend that you clean the refrigerator regularly.

NOTE: To improve cooling, dust and clean behind the refrigerator regularly.

CLEANING

WARNING

Electrical Shock Hazard

- Unplug your appliance or disconnect power before cleaning.
- Failure to do so can result in death, electric shock or personal injury.

WARNING

Explosion Hazard

- Use nonflammable cleaner.
- Failure to do so can result in death, explosion or fire.

IMPORTANT: To prevent damage to the finish, DO NOT use gasoline, benzine, thinner or other solvents, and DO NOT use abrasive cleaners.

1. Unplug the refrigerator from the electrical outlet.
2. Remove all food.
3. Remove and wash the shelves with a mild detergent solution.
4. Wash the refrigerator interior using a soft cloth dampened with a baking soda solution (2 tablespoons baking soda mixed with 1 quart of warm water).
5. Clean the gasket around the door. Gently wipe the gasket using a soft cloth dampened with a mild detergent solution.

NOTE: Gaskets must be kept clean and pliable to assure a proper seal.

6. Using a soft cloth, thoroughly dry all surfaces.
7. Plug in or reconnect power.

DEFROSTING

Defrost the refrigerator as needed when ice in the freezer compartment becomes too thick.

1. Turn the refrigerator control to OFF. Unplug the refrigerator or disconnect power.
2. Remove all food from the refrigerator and freezer compartments and store in a cooler with ice, in another refrigerator or in a cool area.
3. Ensure that the drainpipe is clear. Use a soft cloth to clean the refrigerator liner.
4. Place the drain tray under the evaporator to catch the water from the melting ice. Empty the drain tray as necessary to prevent water from overflowing.
5. Keep the refrigerator door open until the ice melts.
6. If desired, place a pan of hot water in the freezer to speed melting.
7. Use a plastic scraper to help remove ice and frost. Do not use an ice pick, or other metal or sharp implement as this may damage the refrigerator.
8. Once the ice has melted, dry the refrigerator with a soft cloth.
9. Plug in the refrigerator and turn the controls to the desired temperature setting. When the refrigerator has cooled, return food to the refrigerator and freezer compartments.

MOVING

IMPORTANT: When moving your refrigerator, DO NOT tilt it beyond 45° from upright.

1. Unplug your refrigerator from the wall outlet.
2. Remove all food.
3. Securely tape down all loose items inside your refrigerator.
4. Tape the door shut.

STORAGE

IMPORTANT: Do not store refrigerator in a location that is accessible to children.

1. Unplug your refrigerator from the electrical outlet.
2. Remove all food.
3. Clean the refrigerator.
4. Leave the door open slightly to avoid possible formation of condensation, mold or odor.

TROUBLESHOOTING

IMPORTANT: DO NOT try to repair your refrigerator yourself. Doing so invalidates the warranty.

| PROBLEM | POSSIBLE CAUSE | SOLUTION |
|--|---|---|
| The refrigerator does not operate | The refrigerator is unplugged. | Make sure that the refrigerator power cord is fully plugged into the electrical outlet. |
| | The fuse on the circuit is blown or the circuit breaker is tripped. | Check the house fuse / circuit breaker box and replace the fuse or reset the circuit breaker. |
| | Power failure. | If a power failure occurs, the refrigerator turns off. Wait until the power is restored. |
| The refrigerator door does not close completely | Food packages are interfering with the door. | Move or remove some food items. |
| | The door gaskets are dirty. | Clean the door gaskets. |
| | The refrigerator may not be level. | Level the refrigerator. |
| Food in the refrigerator is not cold | The door has been opened too often or was not closed properly. | Make sure that the door is closed properly. |
| | A large amount of food was recently added. | Allow time for the recently added food to cool, and then check again. |
| | The door is not closed completely. | Check the door gasket and food distribution, and make sure that the door closes completely. |
| | The refrigerator has been disconnected for a period of time. | Allow 4 hours for the refrigerator to cool completely before adding food. |
| | The temperature control is set too warm. | Set the temperature control to a colder setting. |

| PROBLEM | POSSIBLE CAUSE | SOLUTION |
|--|--|--|
| The refrigerator makes unusual noises or vibrations | The refrigerator may not be level. | Adjust the leveling feet located on the front corners of the refrigerator until the refrigerator is level. |
| | The refrigerator cabinet is touching a wall. | Move the refrigerator away from the wall. |
| | Metal parts undergo expansion and contraction. | This is normal. |
| Moisture is building up in the interior of the refrigerator | Refrigerant is circulating throughout the system. | This is normal. |
| | The door has been opened too often or was not closed properly. | Make sure that the door is closed properly. |
| | The refrigerator is located in a humid area. | Move the refrigerator to a drier location. |
| The compressor turns on and off frequently. | The weather is hot and humid. | This is normal. |
| | The room temperature is hotter than normal. | This is normal. |
| | A large amount of food was recently added. | Allow time for the recently added food to cool, and then check again. |
| | The door is not closed completely or was opened too often. | Check the door gasket and food distribution to make sure the door will close completely. |
| | The refrigerator has been disconnected for a period of time. | Allow 4 hours for the refrigerator to cool completely before adding food. |
| The temperature control was not set correctly. | Set the temperature control to the correct setting. | |

| PROBLEM | POSSIBLE CAUSE | SOLUTION |
|--|---|--|
| Refrigerator has an odor | Refrigerator needs cleaning. | Clean the refrigerator. See, "Cleaning." |
| | Improperly wrapped food is giving off an odor. | Wrap food tightly or seal before storing it in the refrigerator. |
| The drain tray has overflowed | There is too much food in the refrigerator causing excessive defrosting. | Remove food from the refrigerator. Empty the drain tray more frequently. |
| | The doors are not closing properly allowing warm air to enter the refrigerator. | Ensure the doors close completely. See "The refrigerator door does not close completely" |
| The compressor housing is hot | The housing of the built-in condenser is hot. | This is normal. Provide adequate ventilation to aid cooling. |
| There is condensation on the exterior | The weather is hot and humid. | This is normal. Use a soft cloth to wipe off the excess moisture. |

