
Installation guide XI Font – Proud & Flush Mount



Installation requirements.

Proud & Flush Mount

Components included

Before commencing installation, ensure you have identified the following pieces:

1. Spill tray
2. Font cover plate set 1 set (3 piece)
3. Mount riser – chrome
4. M4 studs – 3 x 74mm
5. M4 flange nuts x 3
6. M5 x 40mm screw x 1
7. Drain adapter
8. O-ring
9. 90° elbow 3/4"
10. 3/4" – 1 1/2" bush
11. Tap riser kit
12. M6 x 45mm Hex bolts x 4
13. M6 Flange nuts x 4

Determine unit location

Plan the installation. Dispenser tube lengths, benchtop and cupboard restraints and drainage requirements must be considered when determining location. Use template enclosed for drilling and cut-out details. Refer also to appliance installation requirements supplied with Drinking Water System.

Drainage location

Careful design and installation is essential to provide satisfactory drainage performance and to prevent later blockages. The Billi Font is designed to be able to be connected to a dishwasher nipple using either flexile or rigid tubing or copper tubing. Where a horizontal run is needed, we recommend 20mm or 25mm copper tubing be used. An adapter bush is supplied for use where a standard 40mm trap and drain is installed.

IMPORTANT

If drain is to be connected to a dishwasher nipple, ensure hole through nipple is drilled to at least $\varnothing 12.7\text{mm}$ (1/2") and de-burred, to allow adequate flow.

Drain must be installed with a continual fall along the entire length of the tube.

The Billi Fixture is to be installed by a licensed tradesperson in accordance with AS 3500.4 Or AS/NZ 3500.4.2 And in compliance with applicable state regulatory requirements.

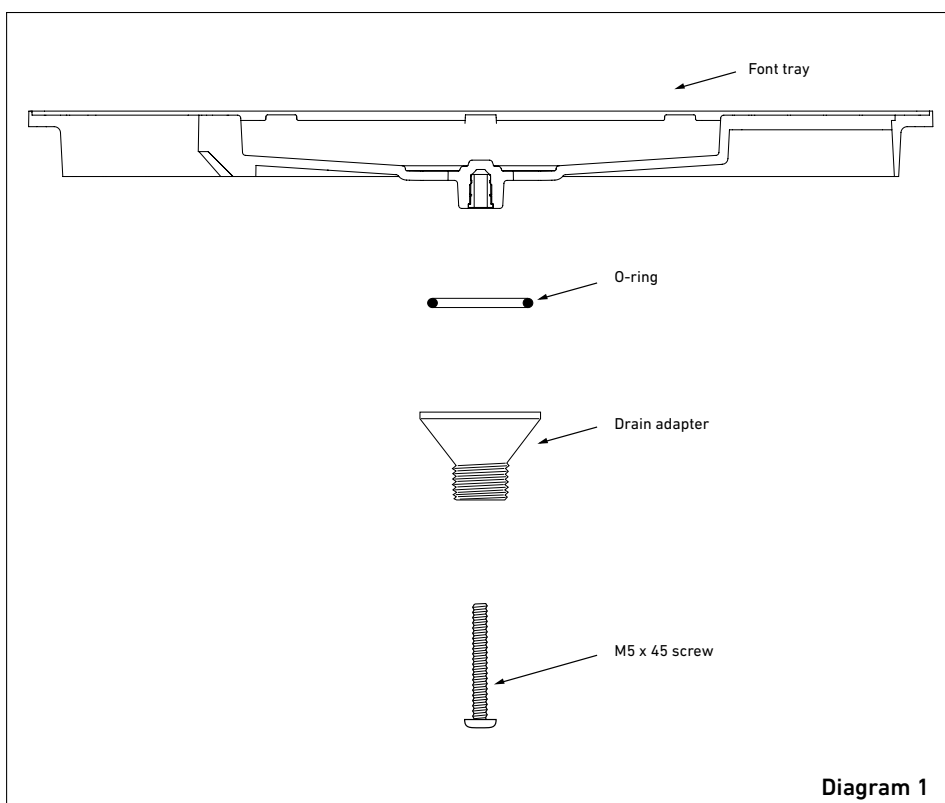


Diagram 1

Installation procedure.

Proud Mount

1. Marking and Drilling Holes

- Cut the template out and place template in appropriate position. Check underneath benchtop for possible obstructions such as dividers, existing plumbing, etc. Trace round the template and drill a pilot hole for the jigsaw, using the jigsaw follow the line in which was traced onto the bench – see diagram 7 on next page.

2. Fitting Drain Adapter

- Fit O-ring to Drain adapter.
- Fit Drain adapter to tray. Tighten M5 screw, Note: Do NOT over-tighten the screw.
- Drain tube and elbow fitting are to face dispenser mount hole – refer to diagram 1 on previous page.

3. Fitting Billi Font to Benchtop

- Ensure silicone bead is installed around the edge of the cut out – ref to diagram 2.
- Lower the Font tray into the cut out and insert 4 x M6 bolts, one in each corner.
- Fit the clips and M6 Flange nuts to all 4 bolts – refer to Diagram 3.
- Tighten nuts until rim sits flat on benchtop. Do NOT over-tighten nuts.

4. Fit front and rear cover plates

- Remove protective film from cover plate set.
- Remove gasket cover and insert cover into font tray.
- Ensure holes in rear cover plate align with the holes in the font tray.
- Apply pressure around edge of plate(s) to ensure proper gasket seal.

5. Fitting Dispenser Riser – refer to diagram 4.

- Screw 3 x M4 studs into the rear of the riser.
- Fit the Gasket over the studs.
- Place the riser through the cover plate and into position on the font.
- Fit and tighten 3 x M4 Flange nuts to the underside of the Font tray.

6. Fitting Dispenser Head Assembly (refer to diagram 5)

- Feed dispenser tubing and loom through centre hole in riser in the following order:
 - Dispenser power cord
 - Grey vent silicone tube. Feed tube until reducing join passes through Mount riser assembly – see diagram 5.
 - Red and blue silicone tubing. Check tubing is not kinked or twisted.
- Turn dispenser head to 60° from the straight ahead position of mount base. Slide head assembly onto base assembly whilst gently pulling tubing downwards from underneath. Dispenser mounting lugs will pass over and slide down the 3 grooves on the swivel bearing.
- Once fully down, turn dispenser head to

straight ahead position. Fit M4 x 10mm retaining screw rear threaded hole and tighten with Allen Key supplied.

7. Connect Tubing to Underbench Module

- Connect dispenser tubing to underbench module as per installation instructions supplied with your unit.

8. Connect Drainage

- Connect drainage tubing with reference to Drainage Requirement instructions on previous page. Drainage tube must be installed with a continual fall along the entire length of the tube and must be adequately clipped and supported.

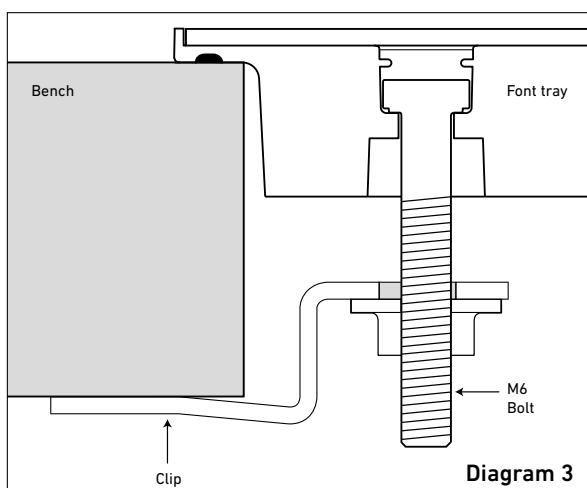


Diagram 3

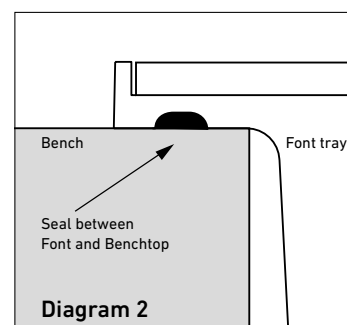


Diagram 2

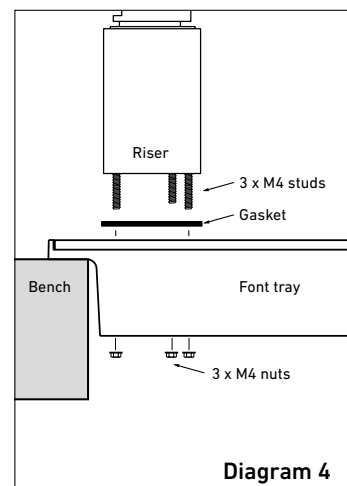


Diagram 4

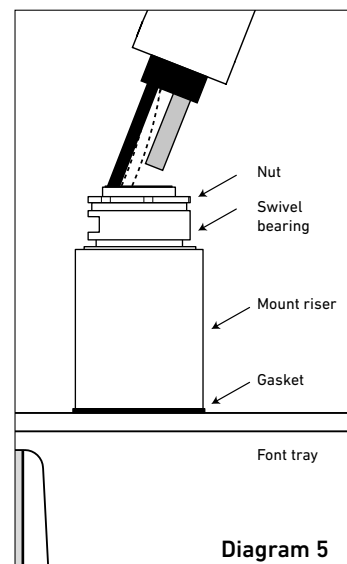


Diagram 5

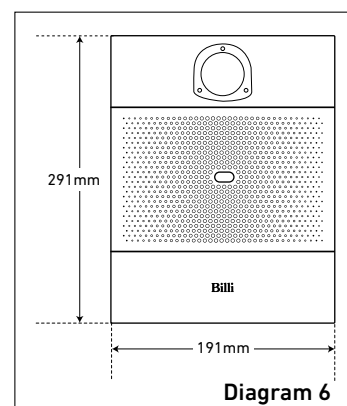
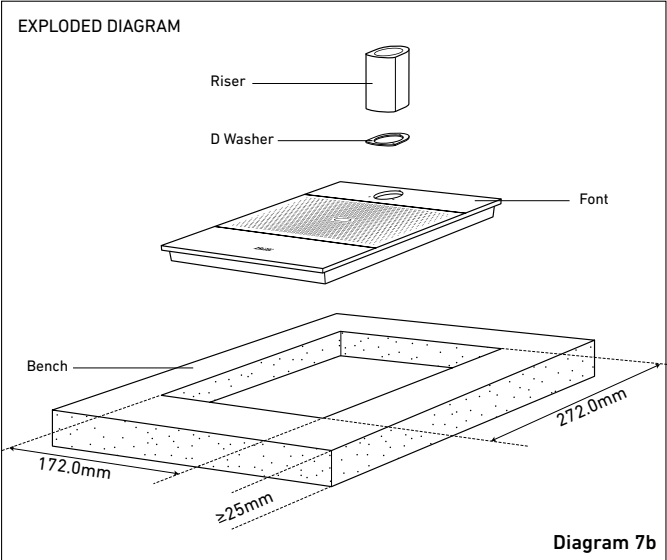
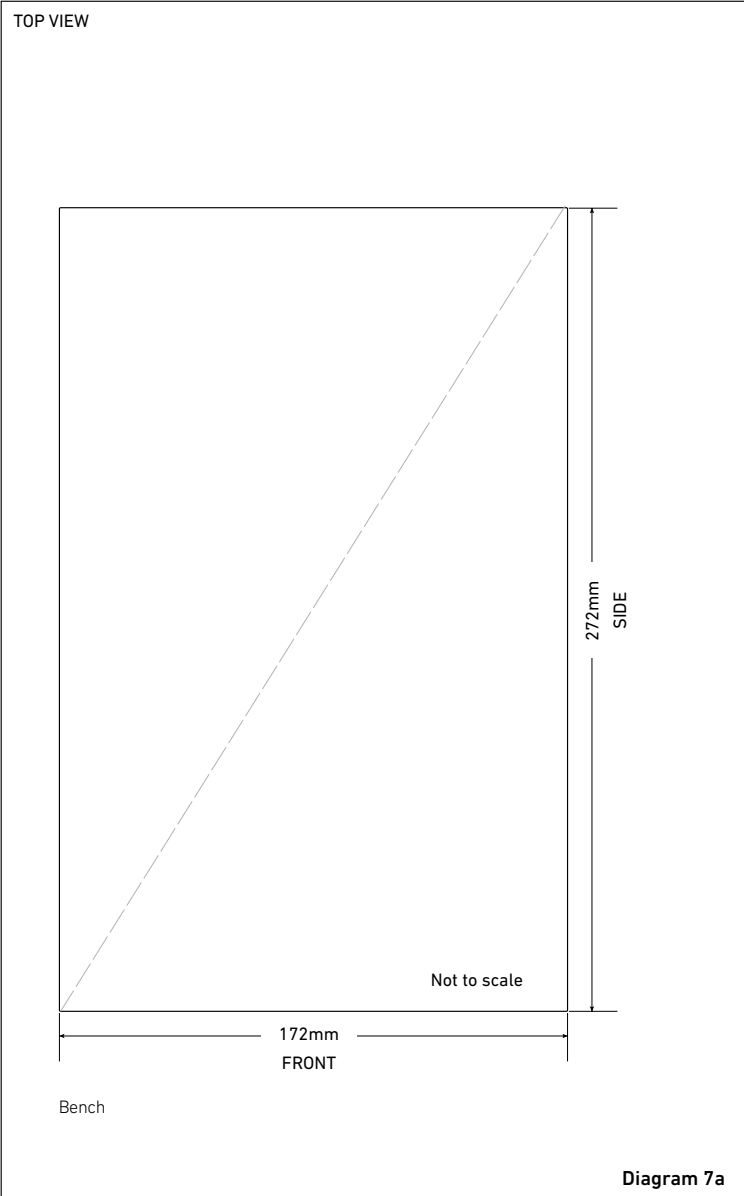


Diagram 6

Installation procedure. Proud Mount

Hole Cut-Out Dimensions
– See Template for actual size,

Before using check dimensions
are accurate.



Installation procedure.

Flush Mount

1. Marking and Drilling Holes

- Cut the template out and place template in appropriate position. Check underneath benchtop for possible obstructions such as dividers, existing plumbing, etc. As a guide only use the template and drill a pilot hole for the jigsaw, using the jigsaw follow the line in which was traced onto the bench. Use appropriate router bits to give R5.0 edges – see page 8.

2. Apply thick coat of moisture primer to all cut surfaces

3. Fitting Drain Adapter

- Fit O-ring to Drain adapter.
- Fit Drain adapter to tray. Tighten M5 screw, Note: Do NOT over-tighten the screw.
- Drain tube and elbow fitting are to face dispenser mount hole –refer to diagram 1 on page 2.

4. Fitting Billi Font to Benchtop

- Ensure silicone bead is installed around the edge of the cut out – ref to diagram 2.
- Lower the Font tray into the cut out and insert 4 x M6 bolts, one in each corner.
- Fit the clips and M6 Flange nuts to all 4 bolts – refer to diagram 3.
- Tighten nuts until rim sits flat on benchtop. Do NOT over-tighten nuts.

5. Fit front and rear cover plates

- Remove protective film from cover plate set.
- Remove gasket cover and insert cover into font tray.
- Ensure holes in rear cover plate align with the holes in the font tray.
- Apply pressure around edge of plates to ensure proper gasket seal.

6. Fitting Dispenser Riser (refer to diagram 4)

- Screw 3 x M4 studs into the rear of the riser.
- Fit the Gasket over the studs.
- Place the riser through the cover plate and into position on the font.
- Fit and tighten 3 x M4 Flange nuts to the underside of the Font tray.

7. Fitting Dispenser Head Assembly (refer to diagram 5)

- Feed dispenser tubing and loom through centre hole in riser in the following order:
 - Dispenser power cord
 - Grey vent silicone tube. Feed tube until reducing join passes through Mount riser assembly – see Diagram 3.
 - Red and blue silicone tubing. Check tubing is not kinked or twisted.
- Turn dispenser head to 60° from the straight ahead position of mount base. Slide head assembly onto base assembly

whilst gently pulling tubing downwards from underneath. Dispenser mounting lugs will pass over and slide down the 3 grooves on the swivel bearing.

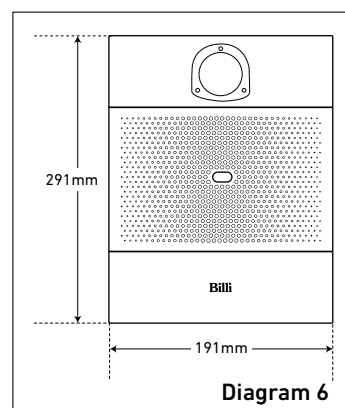
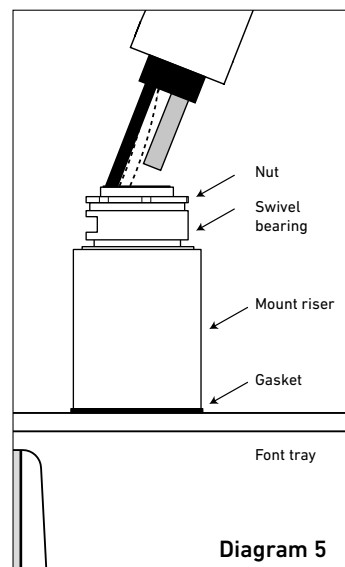
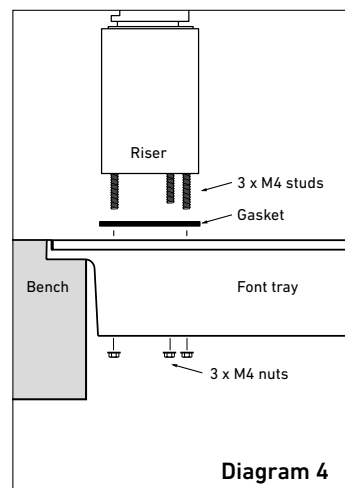
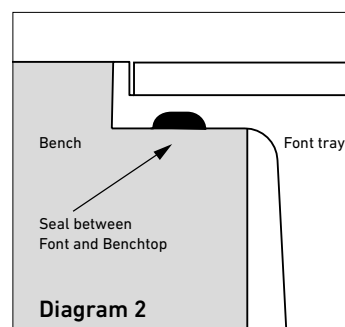
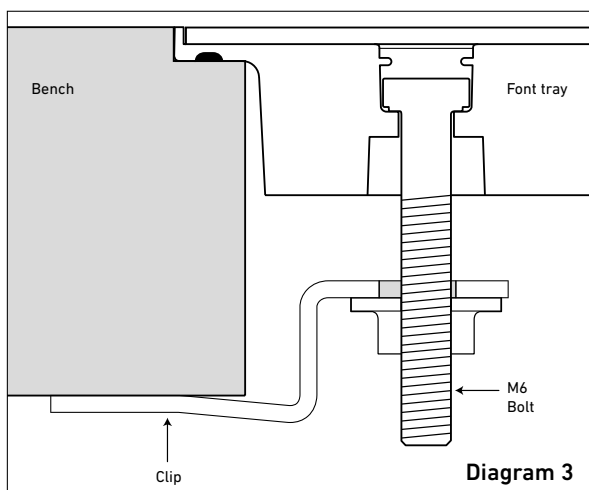
- Once fully down, turn dispenser head to straight ahead position. Fit M4 x 10mm retaining screw rear threaded hole and tighten with Allen Key supplied.

8. Connect Tubing to Underbench Module

- Connect dispenser tubing to underbench module as per installation instructions supplied with your unit.

9. Connect Drainage

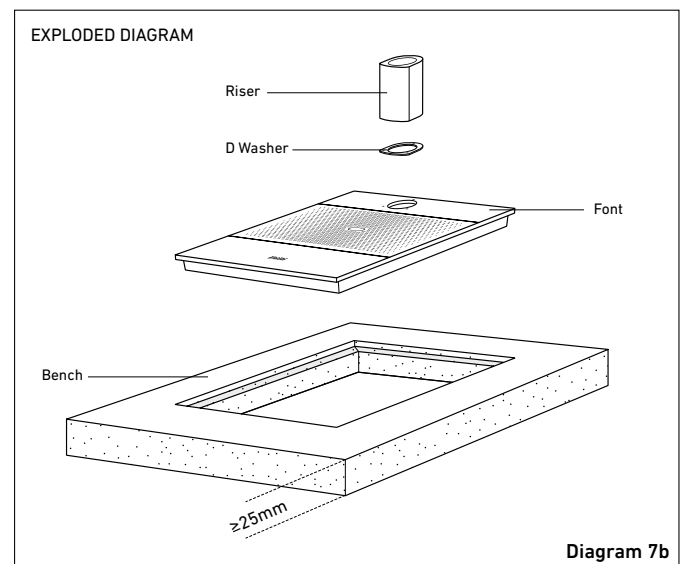
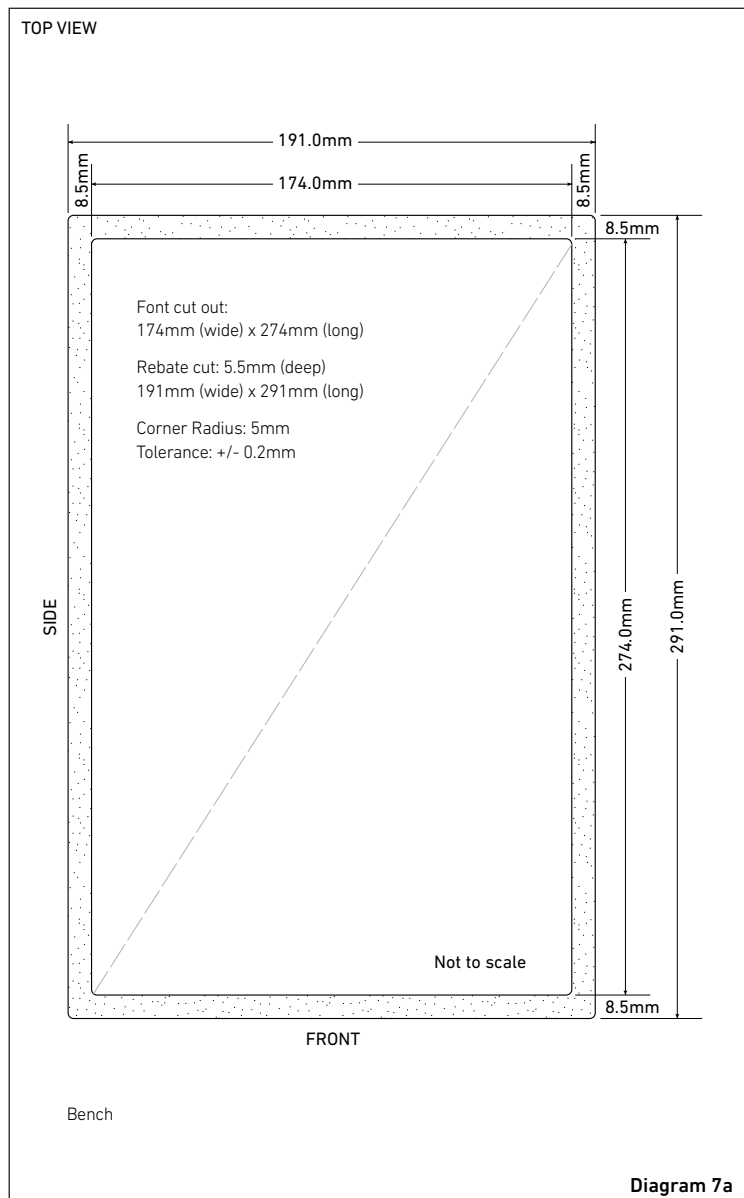
- Connect drainage tubing with reference to Drainage Requirement instructions on previous page. Drainage tube must be installed with a continual fall along the entire length of the tube and must be adequately clipped and supported.



Installation procedure. Flush Mount

Hole Cut-Out Dimensions
– See Template for actual size,

Before using check dimensions
are accurate.



Billi™

If any problems or difficulties arise contact **Billi Australia Pty Ltd**: Phone 1800 812 321 (Free call).
To validate your warranty refer to the warranty card or validate online at www.billi.com.au
For information on our filtration and service contracts please contact Billi Customer Service on
1800 812 321 or service@billi.com.au.

Billi Australia Pty Ltd
42 Lucknow Crescent, Thomastown
Victoria 3074 Australia
Telephone +61 3 9469 0400
Facsimile +61 3 9469 0499
www.billi.com.au

Designed and manufactured in Australia.
As Billi Australia Pty Ltd has a policy of
continual improvement, all details are
subject to change without notice. All
goods are sold subject to our published
terms and conditions. Billi is a registered
trademark. 0618

