

Owner's Manual

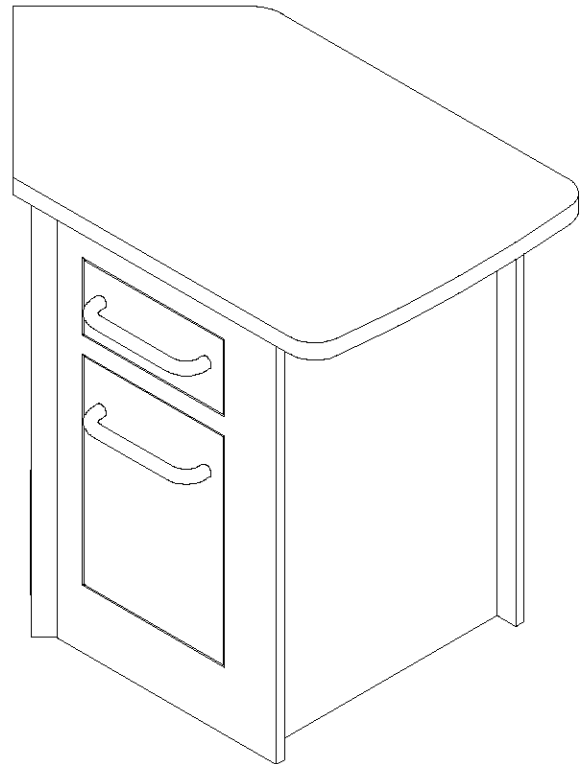
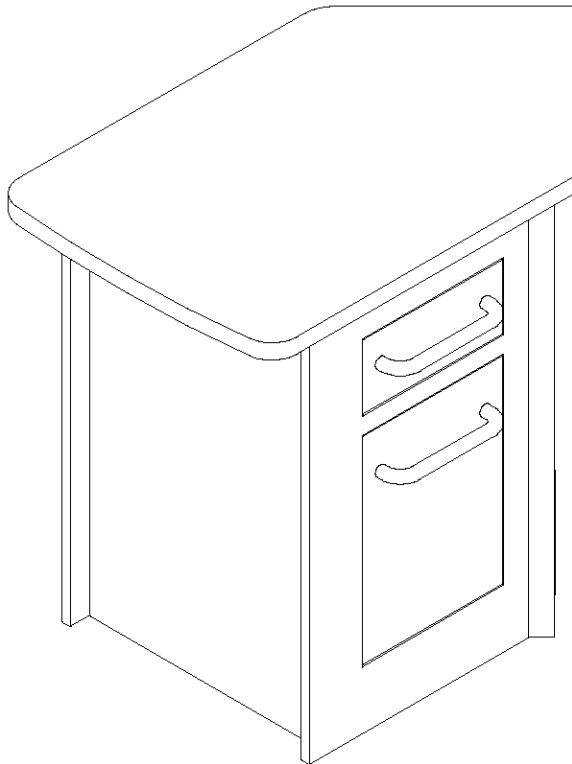


Rustic Tan Granite Stainless Steel Island

Model 141.16698

Panama Gray Granite Stainless Steel Island

Model 141.16699



Grill Information Center: If you have questions about assembly or grill operation, or if there are damaged or missing parts when you unpack this unit from the shipping box, call 8am - 8pm CST, Monday - Friday at: **1-888-317-7642**

WARNING

Your Granite Island is very heavy. With the assistance of another person, use care when unpacking, moving and assembling the granite pieces to avoid bodily injury and breakage of the granite.

Note to Installer: Leave this Owner's Manual with the consumer after delivery and/or installation.

Note to Consumer: Due to the natural qualities of granite, the grain, texture and color will vary slightly between pieces and from printed swatches.

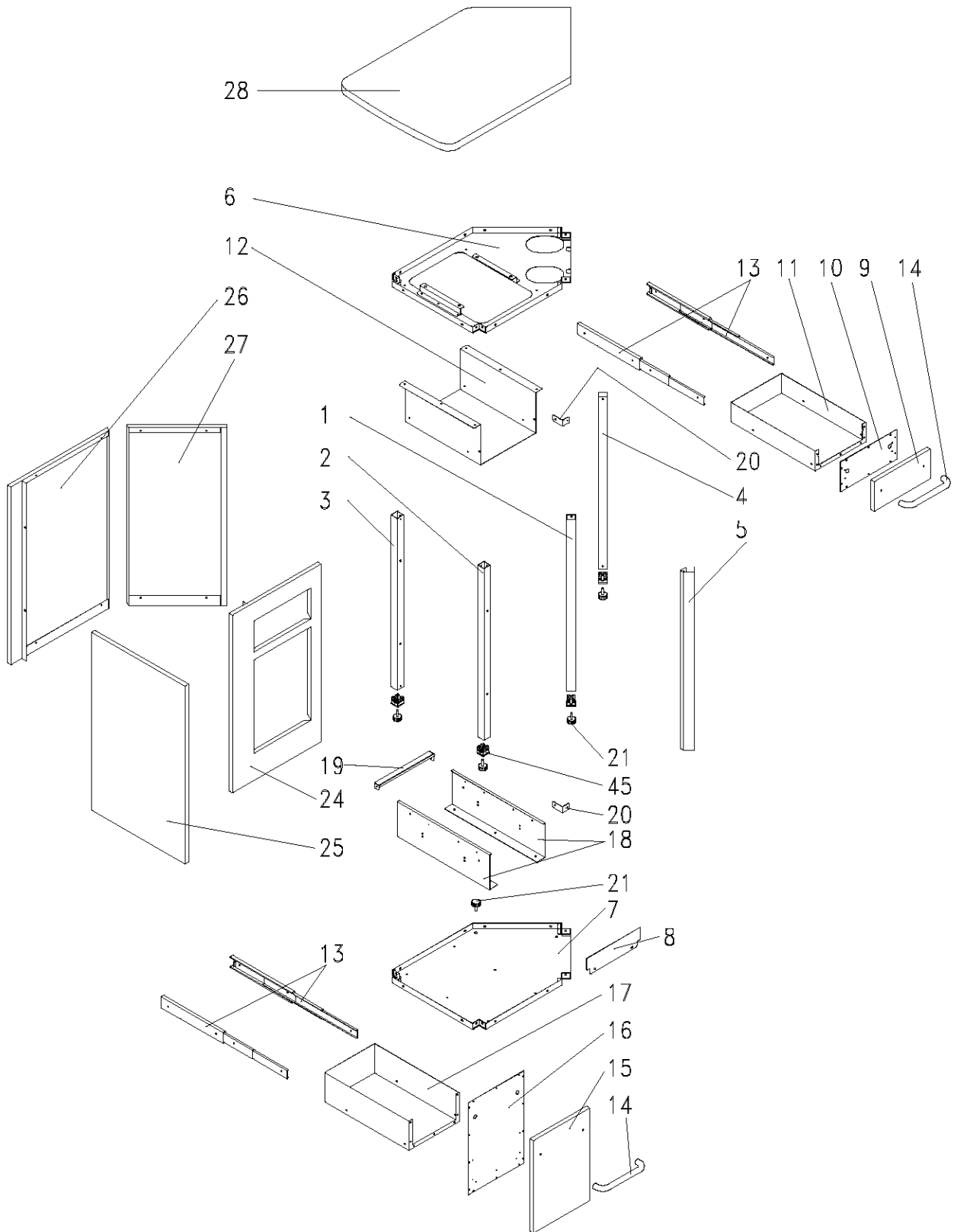
Leave this Owner's Manual in a convenient place for future reference.

**Sears, Roebuck and Co.,
Hoffman Estates, IL 60179 U.S.A.**

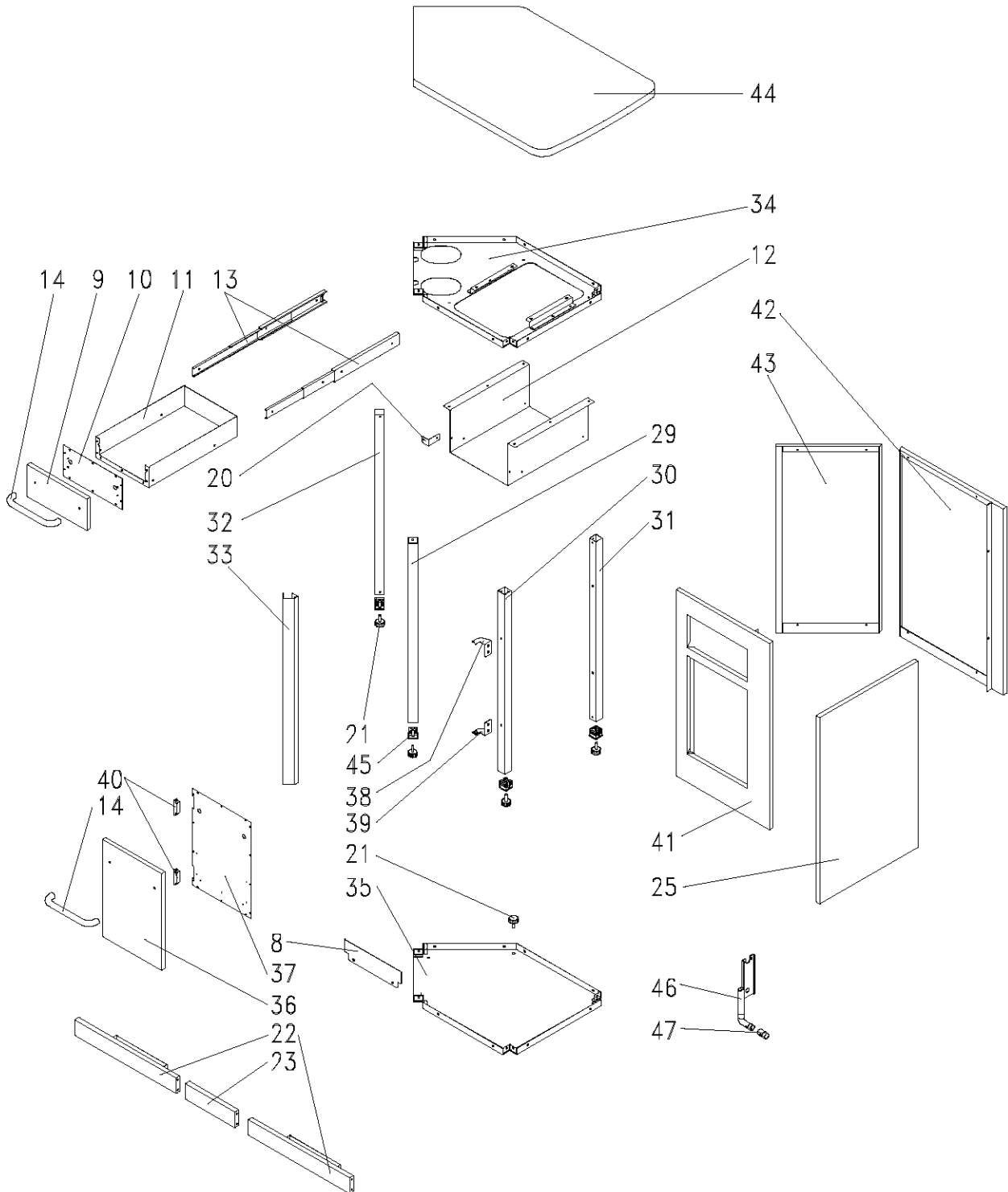
P80147001B-Rev:2003/11/19

Model 141.16698 & 141.16699 Left Granite Island Parts Diagram

Before assembling your Granite Island, use the parts list below to check that all necessary parts have been included. Inspect parts for damage as you proceed. If there are damaged or missing parts when you unpack this unit from the shipping box, call us 8am - 8pm CST, Monday through Friday at: 1-888-317-7642.



Model 141.16698 & 141.16699 Right Granite Island Parts Diagram



For the repair or replacement parts you need: Call anytime

1-800-4-MY-HOME® (1-800-469-4663)

To make sure you obtain the correct replacement parts for your Kenmore Granite Island, please refer to the part numbers on this page. The following information is required to ensure you receive the correct parts:

1. Granite Island Model Number
2. Part Number
3. Part Description
4. Quantity of parts needed

Important: Keep this Owner's Manual for convenient referral and for part replacement.

Important: Use only Sears authorized parts. The use of any part that is not Sears authorized can be dangerous and will also void your product warranty.

Grill Information Center: If you have questions about assembly or if there are damaged or missing parts when you unpack this unit from the shipping box, call us 8am - 8pm CST, Monday through Friday at: **1-888-317-7642**

Model 141.16698 & 141.16699 Granite Island Parts List

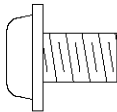
REF#	DESCRIPTION	PART#	QTY
1.	Leg, Right Front/Left Island	P00912007G	1
2.	Leg, Left Front/Left Island	P00910007G	1
3.	Leg, Left Rear/Left Island	P00911007G	1
4.	Leg, Right Rear/Left Island	P00913007G	1
5.	Decorative Strip Plate/ Left Island	P07505001A	1
6.	Table Top Frame/ Left Island	P01004005K	1
7.	Bottom Shelf/Left Island	P01004006K	1
8.	Covering Plate	P07515007D	2
9.	Drawer Panel, Upper	P01902001B	2
10.	Drawer Trim Plate, Upper	P01910001G	2
11.	Drawer, Upper	P01906001B	2
12.	Drawer Slide Bracket, Upper	P01908001G	2
13.	Drawer Slide Set	P05516005L	6
14.	Handle, Drawer/Door	P00205019B	4
15.	Drawer Panel, Lower/Left Island	P01902002B	1
16.	Drawer Trim Plate, Lower/Left Island	P01910002G	1
17.	Drawer, Lower/Left Island	P01906002B	1
18.	Drawer Slide Bracket, Lower/Left Island	P01908002G	2
19.	Drawer Slide Bracket Brace, Lower/Left Island	P01911001G	1
20.	Drawer Slide Bracket Fastener	P01911002G	3
21.	Level Adjuster	P05322036A	10
22.	Decorative Panel	P07901008A	2
23.	Decorative Panel, Extension	P07901009A	1
24.	Panel, Front/ Left Island	P07901001A	1
25.	Panel, Left/Left Island; Right/Right Island	P07901002A	2
26.	Panel, Rear/Left Island	P07901003A	1
27.	Panel, Right/Left Island	P07901004A	1
28.	Table Top, Left Island/Granite/Rustic Tan	P07802001A	1
	Table Top, Left Island/Granite/Panama Gray	P07803001A	1
29.	Leg, Left Front/Right Island	P00913008G	1
30.	Leg, Right Front/Right Island	P00911002G	1
31.	Leg, Right Rear/Right Island	P00910002G	1
32.	Leg, Left Rear/Right Island	P00912002G	1
33.	Decorative Strip Plate/ Right Island	P07504001A	1
34.	Table Top Frame/ Right Island	P01004007K	1
35.	Bottom Shelf/ Right Island	P01004008K	1
36.	Door Panel/ Right Island	P04303015A	1
37.	Door Trim Plate/Right Island	P07507002D	1
38.	Door Hinge Bracket, Upper/Right Island	P03314001C	1
39.	Door Hinge Bracket, Lower/Right Island	P03314002C	1
40.	Door Magnet/Right Island	P05523002K	2
41.	Panel, Front/Right Island	P07901005A	1
42.	Panel, Rear/Right Island	P07901006A	1
43.	Panel, Left/Right Island	P07901007A	1
44.	Table Top/ Right Island/Granite/Rustic Tan	P07802002A	1
	Table Top/ Right Island/Granite/Panama Gray	P07803002A	1
45.	Leg Seat	P04509002A	8
46.	Lighting Tube	P05313001C	1
47.	Lighting Tube Extension	P05313002C	1
---	Hardware Pack	P06016001A	1
---	Owners Manual	P80147001A	1

Contents for Hardware Pack (Part #P06016001A)

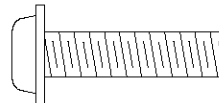
The following table illustrates a breakdown of the hardware pack. It highlights what components are used in the various stages of assembly.

Ref.	Component	Qty.	Purpose of Components
S122G04061	Phillips Head Screw 1/4"x3/8"	4	Attaches Decorative Panels
S313G04061	Flange Nut 1/4"	4	
S122G04161	Phillips Head Screw 1/4"x1"	8	Attaches Handles to Door and Drawers
S194G04121	Hex Socket Set Screw 1/4"x3/4"	8	Attaches Granite Table Top Panels
S313G04061	Flange Nut 1/4"	8	
P05515006B	Hex Key Wrench	1	Tighten Hex Socket Set Screw

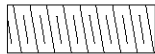
Actual Size and Quantity of Each Hardware Piece:



S122G04061
Qty. 4
Phillips Head Screw 1/4"x3/8"



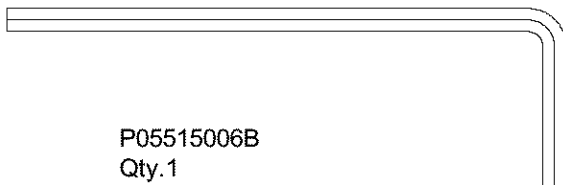
S122G04161
Qty. 8
Phillips Head Screw 1/4"x1"



S194G04121
Qty. 8
Hex Socket Set Screw 1/4"x3/4"



S313G04061
Qty. 12
Flange Nut 1/4"



P05515006B
Qty. 1
Hex Key Wrench

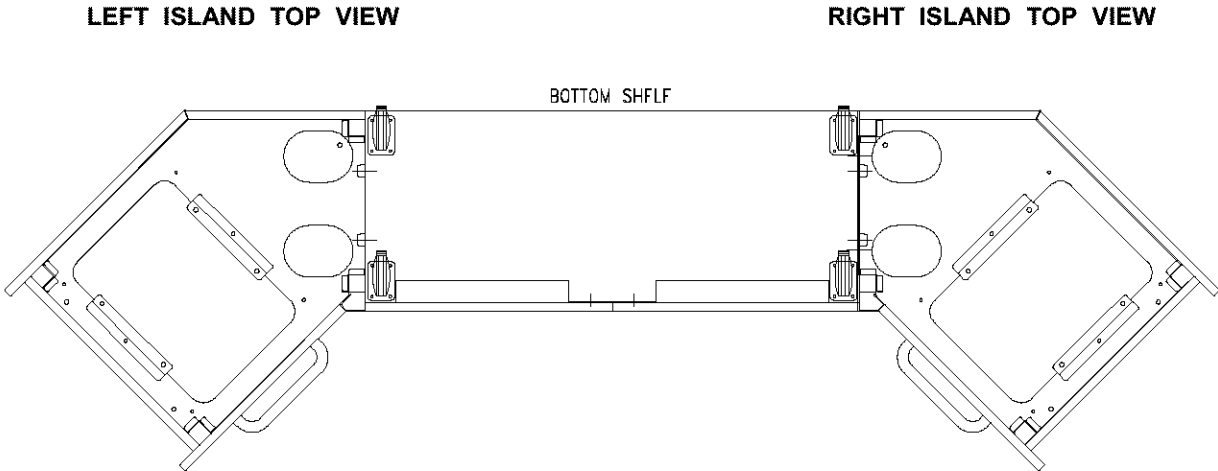
Assembly Instructions

CAUTION: While it is possible for one person to assemble this Island, obtain assistance from another person when handling some of the larger, heavier pieces, especially the Granite Table Top.

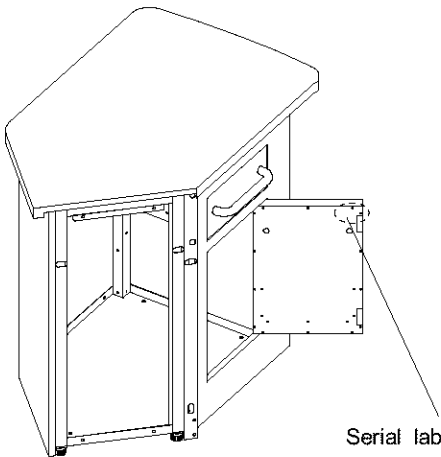
1. During unpacking and assembly always wear work gloves and eye protection.
2. Open Lid of shipping carton and remove top sheet of cardboard. Lay cardboard sheet on floor and use as a work surface to protect floor and Island parts from scratches.
3. Remove packing materials and Island parts from shipping carton.
4. You may slice the carton front corners with a utility knife to lay open the carton front panel. This will offer you easier access to the Island Frames.
5. Use the parts list to check that all parts have been included.
6. Inspect the Island for damage as you assemble it. Do not assemble the Islands if they appear to be damaged. If there are damaged or missing parts when you unpack the shipping box, or you have questions during the assembly process, call:

Grill Information Center 1-888-317-7642
 8am - 8pm CST, Monday through Friday

Before assembling your Island, refer to the top view of assembly position.



Tools required for assembly:
 #2 Phillips head screwdriver 1/4" Wrench or Adjustable Wrench



Island and Serial Number below for future reference.
 MODEL NUMBER _____
 SERIAL NUMBER _____



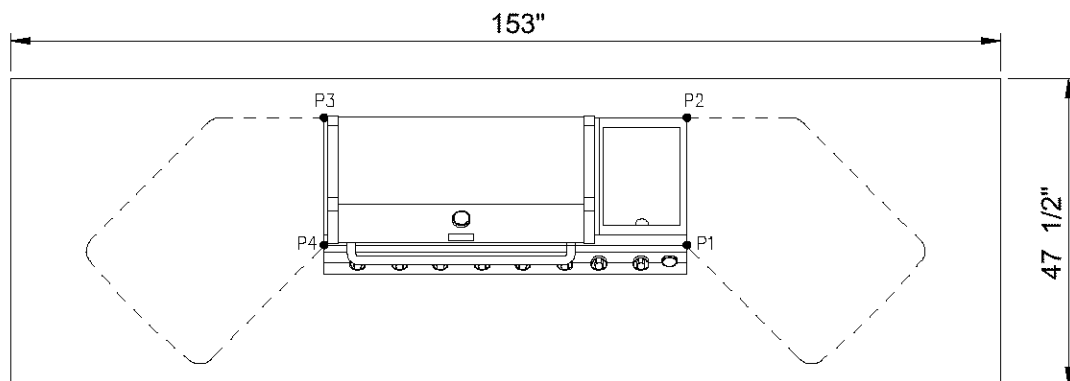
Assembly Instructions

WARNING

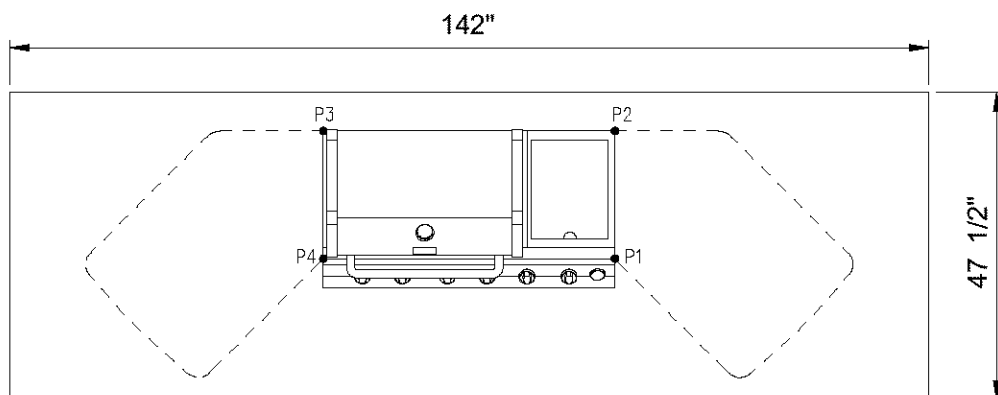
Read these instructions before assembling your granite islands. The granite pieces are very heavy. With the assistance of another person, use care when unpacking, moving and assembling the granite pieces to avoid bodily injury and breakage of the granite.

Make sure the surface is solid, flat and level. Rough or soft ground will cause levelling problems that could cause the grill to incline, door frames to distort and/or the island to partially sink after installation.

1. Please locate the following free space per diagram for installation of the models of the grill with granite island.

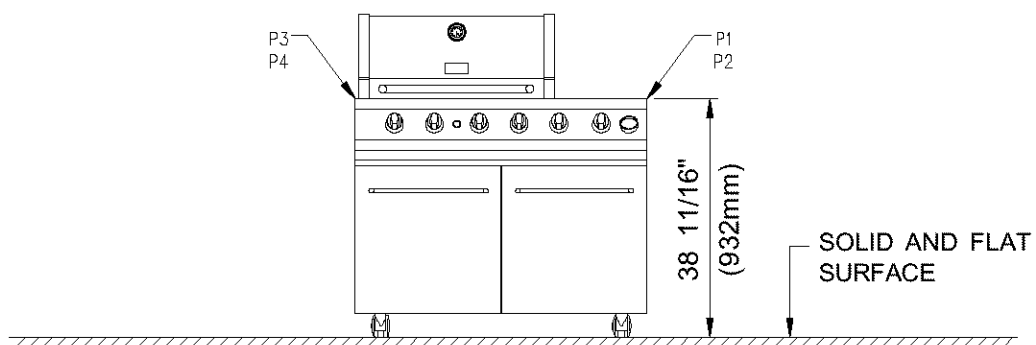


INSTALLATION AREA FOR 6B GRILL MODEL 16690/17690/16691/17691



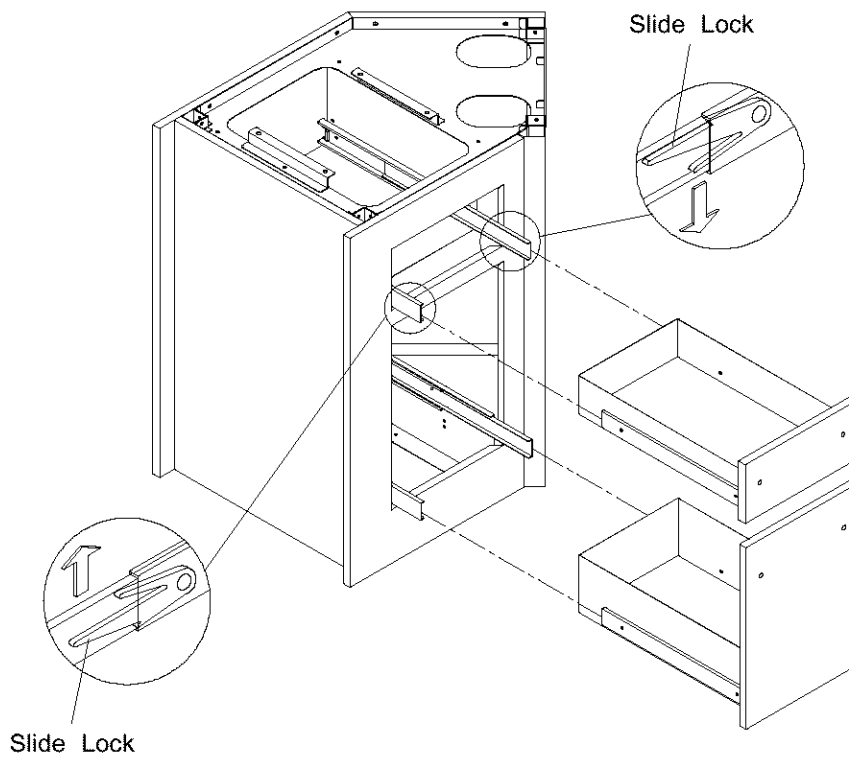
INSTALLATION AREA FOR 4B GRILL MODEL 16680/17680/16681/17681

2. Use a tape measure to ensure that all four (4) points P1, P2, P3 and P4 are at the same height.



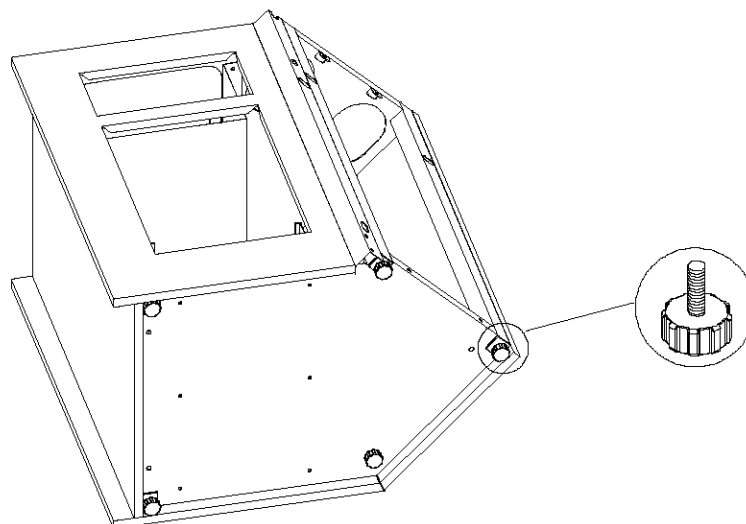
STEP 1

Before attaching the Island to the grill, remove Drawers by lifting the Left Slide Lock and pressing the Right Slide Lock at the same time.



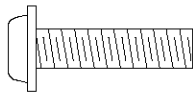
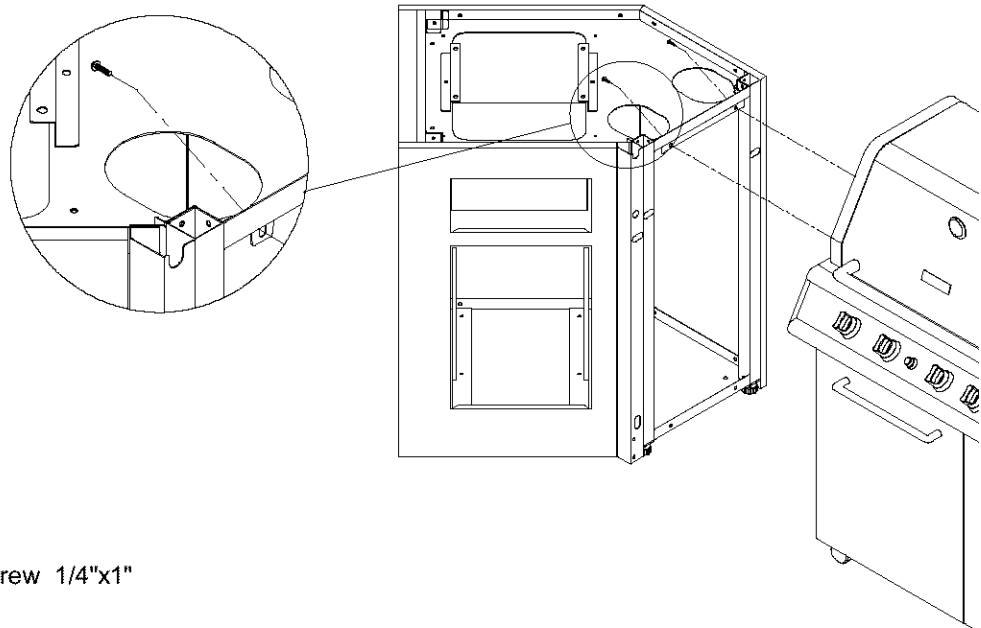
STEP 2

With an assistant, lay the Island Frames on its side onto protective cardboard. Turn the Level Adjusters for an overall Island height of 38-11/16" to match the grill shelf height. See Page 7.



STEP 3

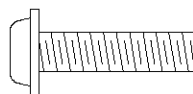
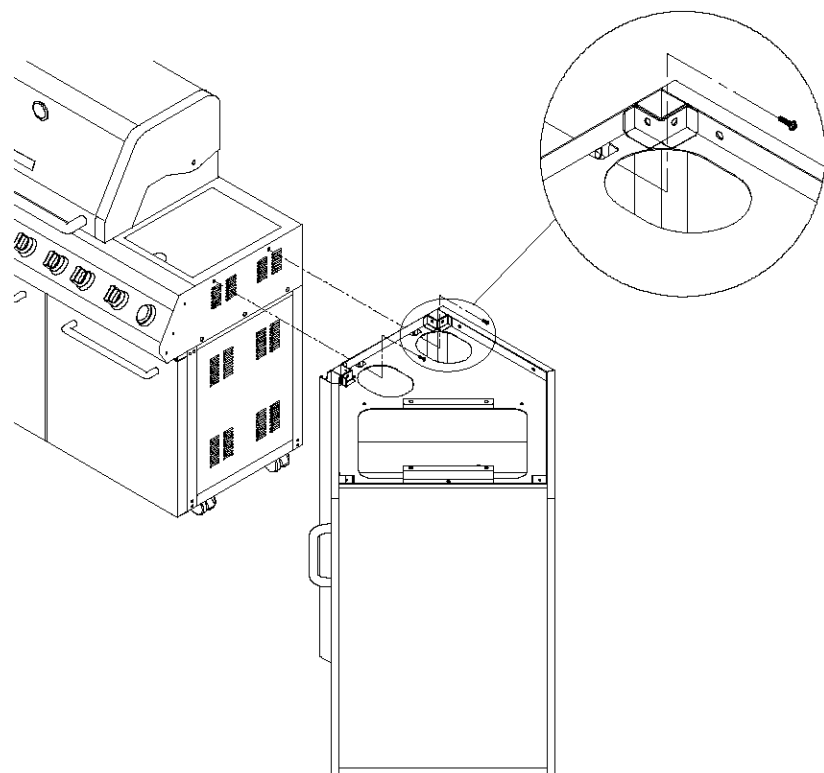
Attach the Island to the side of the grill. Align the holes on the Island Frame with the threaded holes on the grill. Tighten securely using two of the Phillips Head Screws.



S122G04161
Qty. 2
Phillips Head Screw 1/4"x1"

STEP 4

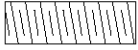
Follow steps 1 through 3 for installation of the other Island Frame.



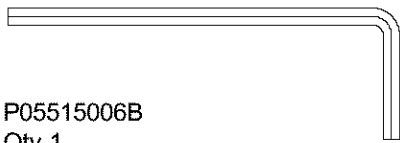
S122G04161
Qty. 2
Phillips Head Screw 1/4"x1"

STEP 5

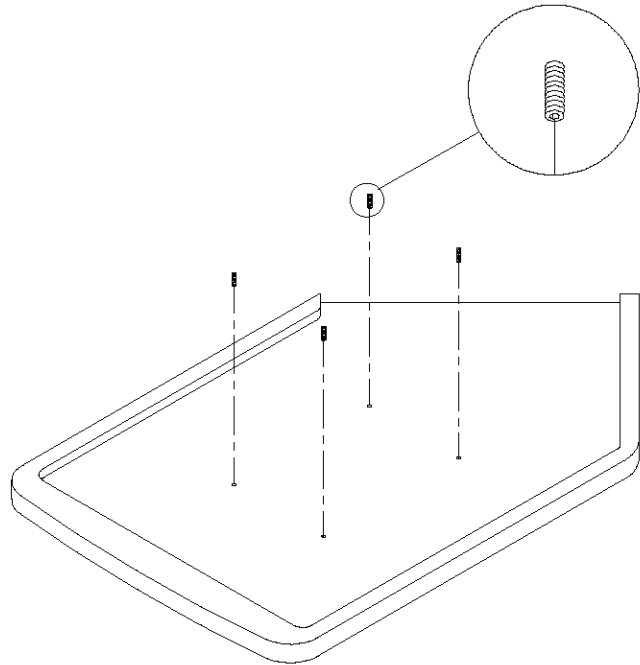
Use the Hex Key Wrench to attach four of the Hex Socket Set Screws to the back of each Table Top.



S194G04121
Qty. 8
Hex. Socket Set Screw 1/4"x3/4"

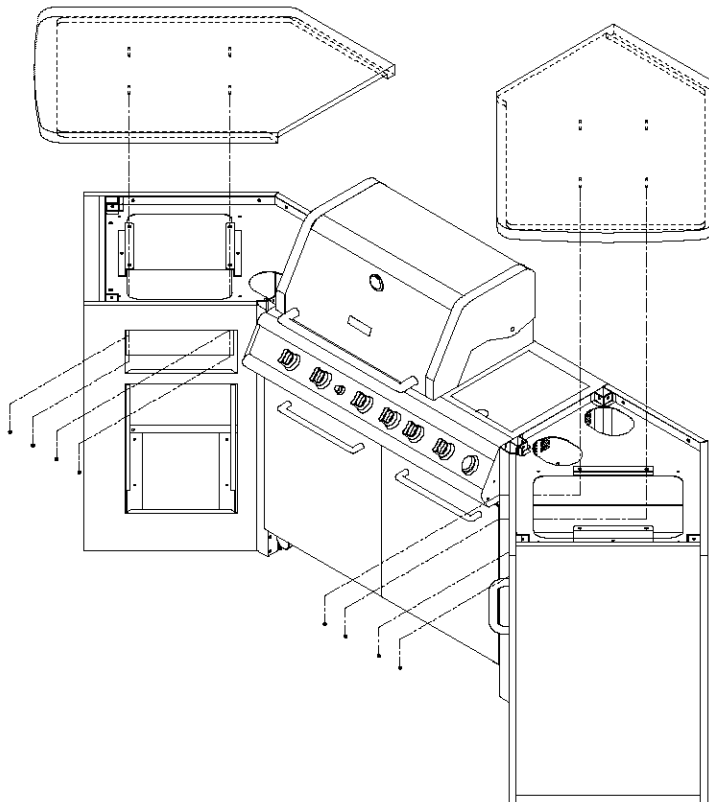


P05515006B
Qty. 1
Hex Key Wrench



STEP 6

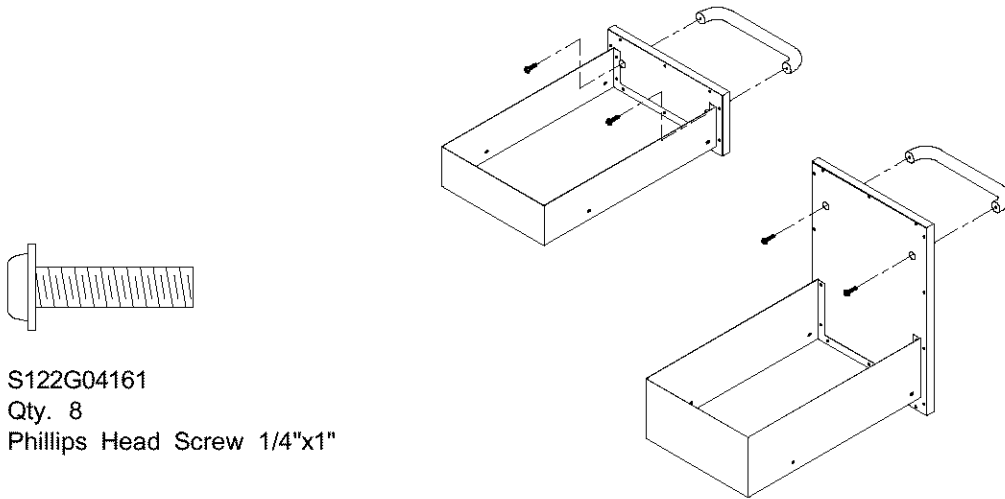
With an assistant, place the Table Top on the Island and make sure the attached set screws fit through the two brackets on the Table Top Frame. Tighten the four Flange Nuts securely with a wrench. **CAUTION: Do not overtighten and risk cracking Granite.**



S313G04061
Qty. 8
Flange Nut 1/4"

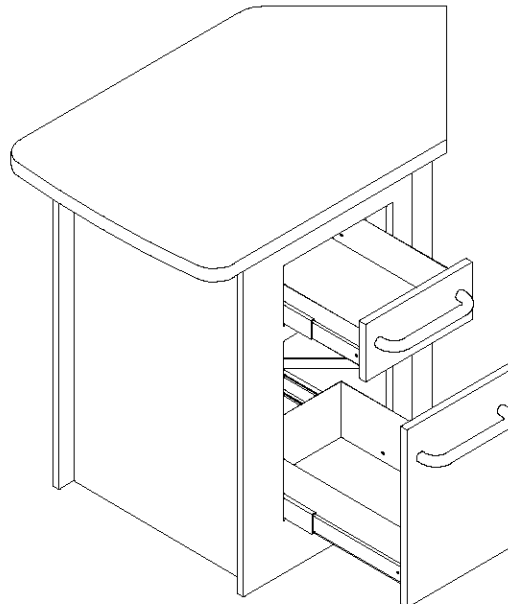
STEP 7

Attach the Handles to Drawers/Door using Phillips Head Screws and tighten securely.



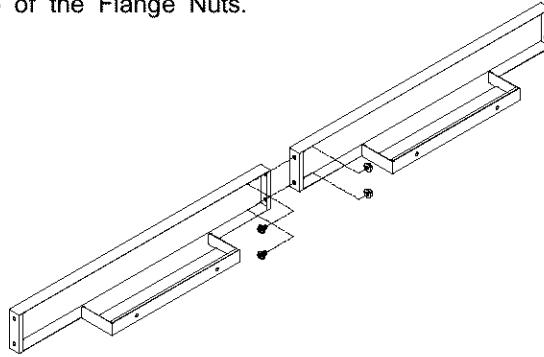
STEP 8

Slide the Drawers into the Island Frames.

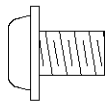
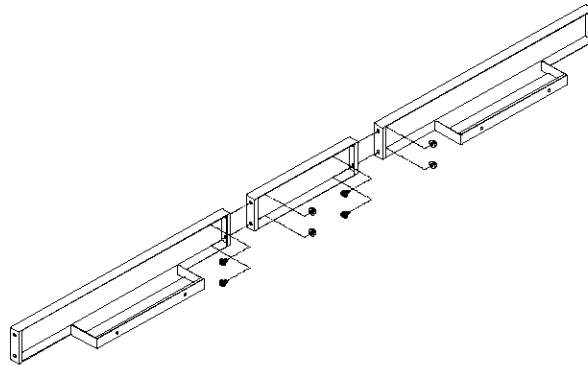


STEP 9

1. For 4-burner model - Attach the two Decorative Panels together using two of the Phillips Head Screws and two of the Flange Nuts.



2. For 6-burner model - Attach the two Decorative Panels to both ends of the Extension Panel using four of the Phillips Head Screws and four of the Flange Nuts.



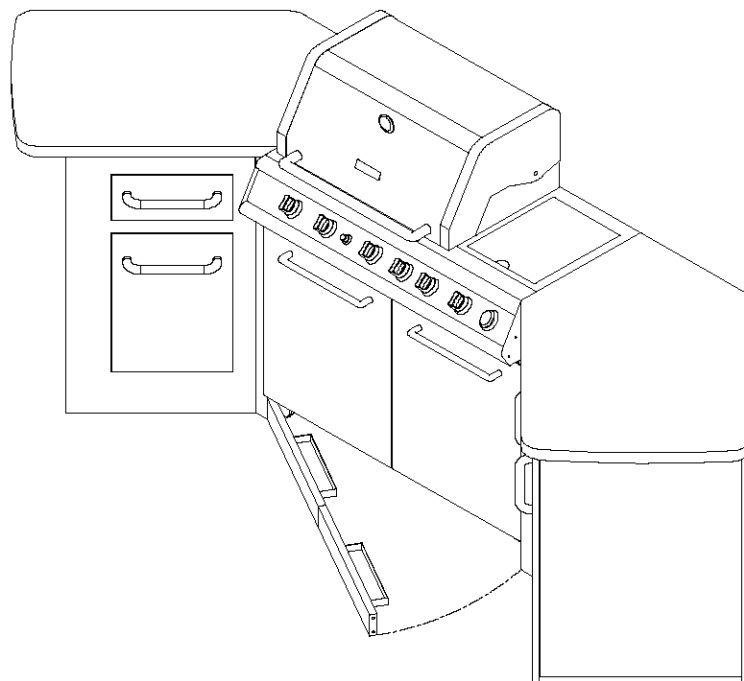
S122G04061
Phillips Head Screw 1/4"x3/8"



S313G04061
Flange Nut 1/4"

STEP 10

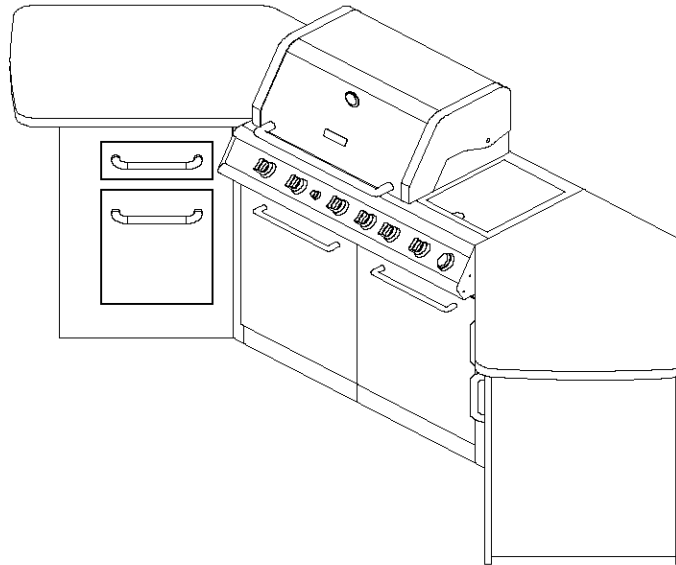
Place the attached Decorative Panels under the grill doors. Be sure grill casters are fully locked and front casters are rotated to the rear to allow for flush alignment of Decorative Panels with front bottom of grill doors.



STEP 11

CONGRATULATIONS

Congratulations your Kenmore Island is now ready for use.



Caring for your Granite

The warm beauty of granite is unparalleled among building materials, but preserving that beauty in certain granites requires careful, regular maintenance.

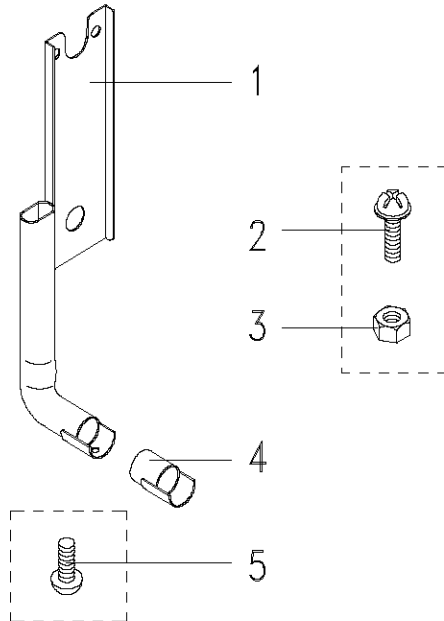
Granite and other natural stones have become increasingly popular for backyard residential and commercial uses. However, some simple steps will help preserve the original luster of the stone over time.

Granite requires very little maintenance and is naturally resistant to stains and scratches. However, it is not indestructible! Please follow these simple guidelines for care of your granite.

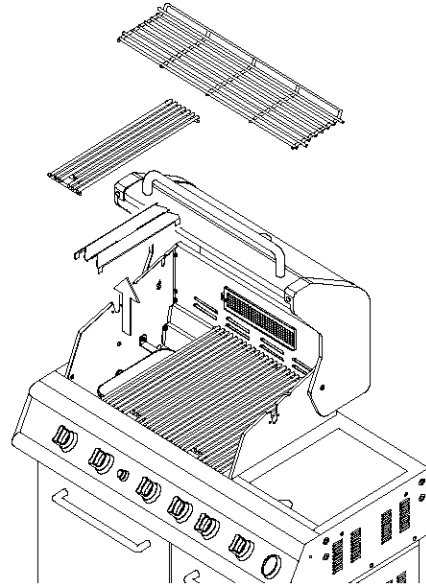
1. Regularly clean your surfaces with a damp cloth. Dry-off wet spots to avoid dull patches appearing where hard water and soap residue have been left behind during daily use. A light neutral (PH7) solution may be safely added.
2. Maintain an original finish on the granite surface by using sealers and regular maintenance procedures. Be sure to select sealers and waxes with caution, as they may contain ingredients which could dull or scratch the Table Top. Before application, clean the Table Top with soapy water and let it dry. Apply two coats of sealer in quick succession, using sealer brushes. After 30 minutes, remove the excess sealer with a dry cloth.
3. Avoid the use of abrasive cleaners or scour pads.
4. A spray cleaner can be applied to surfaces to clean and help the surface shine.
5. Cutting foods on the stone Table Top should not scratch the granite but it will blunt your knives quickly! To be safe use a separate cutting board.
6. Hot saucepans can be placed on your granite surfaces with no damage.
7. Avoid contact with edges of worksurfaces as chipping may occur.
8. Granite is a porous material even though surfaces and edges have been polished. The stone is treated before leaving the factory to help resist staining. Be mindful there are oil and spirit based products such as wine, fruits and perfume, and also oil based products such as olive and cooking oils that may stain if allowed to soak into the Table Top. Should spills occur, wipe off as soon as possible.
9. Table Top should not be brought into contact with strong acid based chemicals including paint stripper, brush cleaner, oven cleaners, varnish remover, degreasant or similar products.

Lighting Tube Kit Installation Instruction

NOTE: A Lighting Tube is used whenever you cannot electronically ignite your grill. Some older model grills did not come with Lighting Tubes (Models #16680/#17680/#16690/#17690). Therefore a Lighting Tube is provided for these grills. If your grill already has a Lighting Tube installed, disregard page 14 & 15. Follow steps 1 through 6 to install Lighting Tube Kit.



STEP 1: Remove cooking grids, flame tamers and secondary cooking rack.



Locate the following parts provided with the upgrade Lighting Tube Kit.

PARTS LIST

For Models 16680/17680/16690/17690

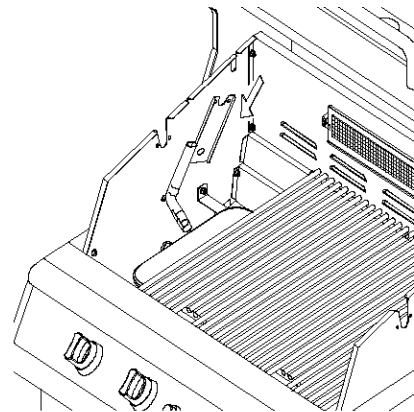
REF#	DESCRIPTION	PART#	QTY
1	Lighting Tube	P05313001C	1
2	Phillips Head Screw 1/4"x3/8"	S122G04061	2
3	Nut 1/4"	S362G04061	2

Additional Parts

For Models 16680/17680

4	Extension Tube	P05313002C	1
5	Phillips Head Screw M4x8mm	S112M04081	1

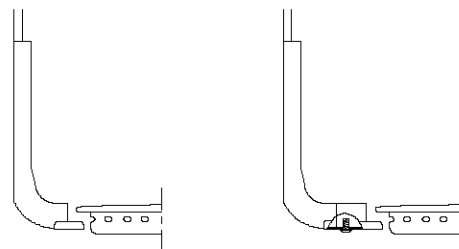
STEP 2: On inside of left bowl panel, insert Lighting Tube slightly below the burner top and align the holes of Lighting Tube mounting bracket with holes in the side of grill bowl.



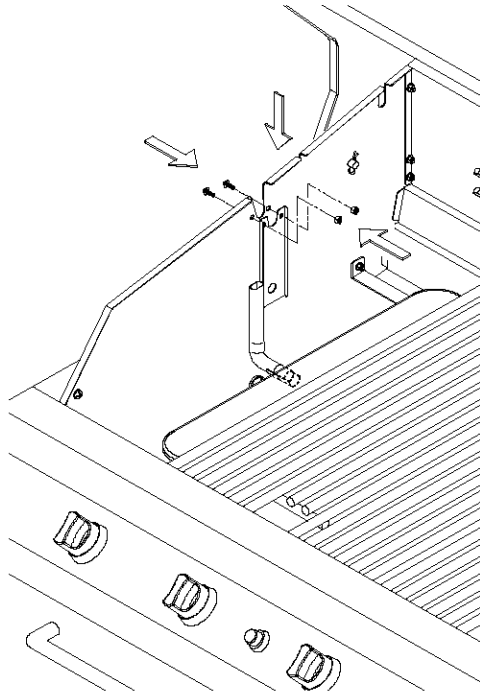
If you have any problem with the Lighting Tube Kit, call us 8am-8pm CST, Monday through Friday at: 1-888-317-7642

For 16690/17690

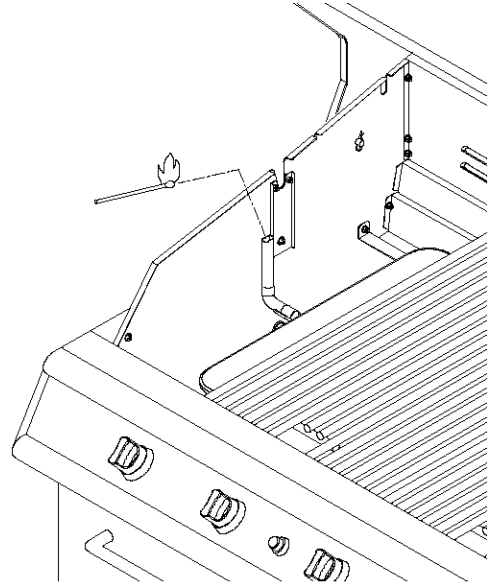
For 16680/17680



STEP 3: Insert 2 Phillips head screws 1/4"x3/8" from outside of grill bowl through Lighting Tube bracket and secure tightly with 2 1/4" Nuts.



6. Set ALL Control Knobs to OFF. For LP Models, open gas tank valve slowly until 1/4 to 1/2 open.
7. Light a match and place it over the top opening of the Lighting Tube. Turn the farthest Left Control Knob to the HIGH setting to release gas. The Burner should light immediately.



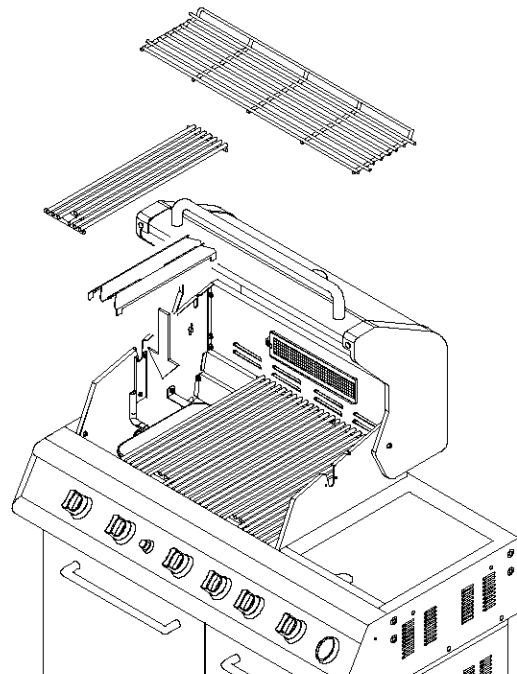
STEP 4 :

Follow below Lighting Instruction procedures to check Lighting Tube function and light your grill.

1. Familiarize yourself with the safety guidelines in the Grill manual. Do not smoke while lighting grill or checking gas supply connections.
2. If you have a LP gas grill be sure the LP gas tank is filled, or if you have a NG grill be sure that the locking shut off valve is open.
3. Open the Grill Lid.
4. Check that the end of the Burner Tube is properly located under the far left burner top.
5. Be sure all gas connections are securely tightened.

STEP 5: Turn Control Knob to "OFF"

STEP 6: Replace flame tamers, cooking grids and secondary cooking rack.



⚠ WARNING
 Failure to open Grill Lid during the lighting procedures could result in a fire or explosion that could cause serious bodily injury, death, or property damage.



Get it fixed, at your home or ours!

Your Home

For repair—in your home—of all major brand appliances, lawn and garden equipment, or heating and cooling systems, no matter who made it, no matter who sold it!

For the replacement parts, accessories and owner's manuals that you need to do-it-yourself.

For Sears professional installation of home appliances and items like garage door openers and water heaters.

1-800-4-MY-HOME[®] (1-800-469-4663)

Call anytime, day or night (U.S.A. and Canada)

www.sears.com www.sears.ca

Our Home

For repair of carry-in items like vacuums, lawn equipment, and electronics, call or go on-line for the location of your nearest Sears Parts & Repair Center.

1-800-488-1222

Call anytime, day or night (U.S.A. only)

www.sears.com

To purchase a protection agreement (U.S.A.) or maintenance agreement (Canada) on a product serviced by Sears:

1-800-827-6655 (U.S.A.)

1-800-361-6665 (Canada)

Para pedir servicio de reparación a domicilio, y para ordenar piezas:

1-888-SU-HOGARSM

(1-888-784-6427)

Au Canada pour service en français:

1-800-LE-FOYER^{MC}

(1-800-533-6937)

www.sears.ca

SEARS