

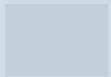


User Guide

Quality, Design and Innovation



home.liebherr.com/fridge-manuals





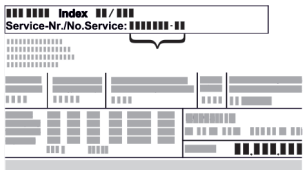




LIEBHERR

Contents

1	General safety instructions.....	3
2	Appliance at a glance.....	4
2.1	Scope of supply.....	4
2.2	Overview of appliance and equipment.....	4
2.3	Special features.....	4
2.4	Range of use of appliance.....	5
2.5	Appliance noise emissions.....	5
2.6	Conformity.....	5
2.7	SVHC substances according to REACH regulation.....	5
2.8	EPREL database.....	5
3	Setting up and connecting.....	5
3.1	Installation requirements.....	5
3.2	Appliance dimensions.....	6
3.3	Transporting the appliance.....	6
3.4	Unpacking appliance.....	7
3.5	Reversing the door opening direction.....	7
3.6	Aligning the door.....	14
3.7	Removing transport lock.....	15
3.8	Installing door handle.....	15
3.9	Installing appliance.....	15
3.10	Setting up the appliance so it is level.....	15
3.11	Installing multiple appliances.....	16
3.12	After installation.....	16
3.13	Disposing of packaging.....	16
3.14	Connecting the appliance to the power supply.....	16
4	Functionality of the Touch display.....	17
4.1	Navigation and symbol explanation.....	17
4.2	Menus.....	17
4.3	Sleep mode.....	18
5	Putting into operation.....	18
5.1	Switching on appliance (first use).....	18
6	Storage.....	18
6.1	Information regarding storage.....	18
6.2	Storage times.....	18
7	Controls.....	19
7.1	Control and display elements.....	19
7.1.1	Status display.....	19
7.1.2	Display symbols.....	19
7.1.3	Acoustic signals.....	19
7.2	Appliance functions.....	19
7.2.1	Notes on the appliance functions.....	19
7.2.2	Switching appliance on and off.....	20
7.2.3	Temperature.....	20
7.2.4	Temperature recording.....	20
7.2.5	SuperFrost.....	21
7.2.6	Display lock.....	21
7.2.7	Maintenance interval reminder.....	22
7.2.8	Language.....	22
7.2.9	Temperature unit.....	22
7.2.10	Display brightness.....	22
7.2.11	WiFi connection *.....	23
7.2.12	LAN connection *.....	24
7.2.13	Device information.....	25
7.2.14	Operating hours.....	25
7.2.15	Software.....	25
7.2.16	Door alarm.....	25
7.2.17	Light alarm *.....	26
7.2.18	Demo mode.....	26
7.2.19	Resetting to factory settings.....	27
7.3	Messages.....	27
7.3.1	Warnings.....	27
7.3.2	Reminder.....	28
8	Features.....	29
8.1	Safety lock.....	29
9	Maintenance.....	29
9.1	Defrosting appliance.....	29
9.2	Cleaning the appliance.....	29

10	Customer help.....	30
10.1	Technical specifications.....	30
10.2	Technical fault.....	30
10.3	Customer Service.....	31
10.4	Type plate.....	31
11	Shutting down.....	31
12	Disposal.....	32
12.1	Preparing appliance for disposal.....	32
12.2	Disposing of the appliance in an environmentally friendly manner.....	32
13	Additional information.....	32

The manufacturer is continually working on the further development of all types and models. Please be aware that we reserve the right to make changes to the shape, equipment and technology.

Symbol	Explanation
	Read instructions Please read the information in these instructions carefully to understand all of the benefits of your new appliance.
	Additional information on the Internet The digital manual with additional information and in other languages can be found via the QR code on the front of the manual or by entering the service number at home.liebherr.com/fridge-manuals . The service number can be found on the serial tag:  <i>Fig. Example illustration</i>
	Check appliance Check all parts for transport damage. If you have any complaints, please contact your agent or customer service.
	Differences These instructions apply to a range of models, so differences are possible. Sections that apply to certain models only are marked with an asterisk (*).
	Instructions and results Instructions are marked with a ►. Results are marked with a ▷.
	Videos Videos about the appliances are available on the YouTube channels of Liebherr-Hausgeräte.

Open source licences:

The appliance contains software components that use open source licences. Information on the open source licences used can be found here: home.liebherr.com/open-source-licences

These operating instructions apply to:

- FFF..sg 4001
- FFF..sg 5501
- FFF..vg 4001

- FFF.vg 5501
- FFF.vg 6501
- BFFsg 4001

1 General safety instructions

Please keep these operating instructions in a safe place so you can refer back to them at any time.

If you pass the appliance on, please hand these operating instructions to the next user.

Read these operating instructions carefully before use to ensure safe and correct use of the appliance. Follow the instructions, safety instructions and warning messages included at all times. They are important for ensuring you can operate and install the appliance safely and without any problems.

Danger for the user:

- This device can be used by children aged 8 and above and people with impaired physical, sensory or mental abilities or with a lack of experience and knowledge provided that they are supervised or have received instruction in the safe use of this appliance, and about the resulting hazards. Children must not play with this appliance. Cleaning and user maintenance work must not be carried out by children without adult supervision.
- The socket must be easily accessible so that the appliance can be disconnected quickly from the electricity supply in an emergency. It must not be located in the area behind the appliance.
- When disconnecting the appliance from the supply, always take hold of the plug. Do not pull the cable.
- In the event of a fault pull out the mains plug or deactivate the fuse.
- **WARNING:** Do not damage the mains power cable. Do not operate the appliance with a defective mains power cable.
- **WARNING:** Multiple sockets/distributors and other electronic equipment (such as halogen transformers) must not be placed or operated at the rear of the appliance.
- **WARNING:** Keep ventilation openings, in the appliance enclosure or in the built-in structure, clear of obstruction.
- Only customer service or other specially trained staff may repair or perform other operations on the appliance.
- Only assemble, connect and dispose of the appliance according to the instructions.

Fire hazard

- The coolant used (information on the model plate) is ecofriendly but also flammable. Any leaking coolant may ignite.
 - **WARNING:** Do not damage refrigeration circuit.
 - Do not handle ignition sources inside the appliance.
 - **WARNING:** Do not use electrical appliances in the fridge compartment which do not comply with the design recommended by the manufacturer.
 - If the refrigerant leaks: remove any naked flames or ignition sources from the vicinity of the leakage point. Properly air the room. Inform customer services.
- Do not operate the appliance close to explosive gases.
- Do not store or use petrol or other flammable gases and liquids close to the appliance.
- Do not store any explosive substances, such as aerosol containers with flammable propellant gas, in the appliance. To identify these spray cans, look for the list of contents printed on the can, or a flame symbol. Gases possibly escaping may ignite due to electrical components.

- Keep burning candles, lamps and other items with naked flames away from the appliance so that they do not set the appliance on fire.
- Please be sure to store alcoholic drinks or other packaging containing alcohol in tightly closed containers. Any alcohol that leaks out may be ignited by electrical components.

Danger of tipping and falling:

- Do not misuse the plinth, drawers, doors etc. as a step or for support.

Danger of frostbite, numbness and pain:

- Avoid prolonged skin contact with cold surfaces or refrigerated/frozen goods or take protective measures, e.g. wear gloves.

Danger of injury and damage:

- **WARNING:** Do not use mechanical equipment or other methods to speed up the defrosting process other than those recommended by the manufacturer.
- **WARNING:** Risk of injury due to electric shock! There are live electrical parts under the cover. Only have the LED interior lighting replaced or repaired by customer service or other suitably trained professionals.*
- **NOTICE:** Appliance must only be used using original manufacturer accessories or using accessories from other providers approved by the manufacturer. The user bears the risk of using accessories which are not approved.

Risk of crushing

- Do not hold the hinge when opening and closing the door. Fingers may get caught.

Specialist personnel qualifications:

Specialist personnel are persons who, on account of their specialist training, knowledge and experience as well as their knowledge of the relevant standards, are able to assess and perform the work assigned to them and identify potential hazards. They must have training, instruction, and authorisation to work on the appliance.

Symbols on the appliance:



This symbol may be located on the compressor. It relates to the oil in the compressor and makes reference to the risk that: **Swallowing or inhaling can be fatal.** This advice is only relevant to recycling. There is no danger in normal operation.



WARNING: Danger of fire / flammable materials. This symbol is located on the compressor and indicates the danger of flammable materials. Do not remove the sticker.



This or a similar sticker may be located on the rear of the appliance. This sticker indicates that there are vacuum insulation panels (VIP) or perlite panels in the door and/or housing. This advice is only relevant to recycling. Do not remove the sticker.



WARNING: Cold surface! Only touch with suitable hand protection.

This or similar sticker may be on the appliance and indicates the danger of frostbite.

Please note the warning messages and other specific advice in the other chapters:

Appliance at a glance

	DANGER	Indicates an immediately hazardous situation which will lead to death or serious injuries if it is not avoided.
	WARNING	Indicates a hazardous situation which will lead to death or serious injuries if it is not avoided.
	CAUTION	Indicates a hazardous situation which will lead to minor or moderate injuries if it is not avoided.
	NOTICE	Indicates a hazardous situation which may lead to damage to property if it is not avoided.
	Note	Indicates useful instructions and tips.

- (2) Grid shelves
 - (3) Adjusting feet
 - (4) Floor grating
 - (6) Control elements and temperature display
 - (7) Interior lighting *
- FFF..sg 5501 FFF..vg 5501
FFF..sg 6501 FFF..vg 6501

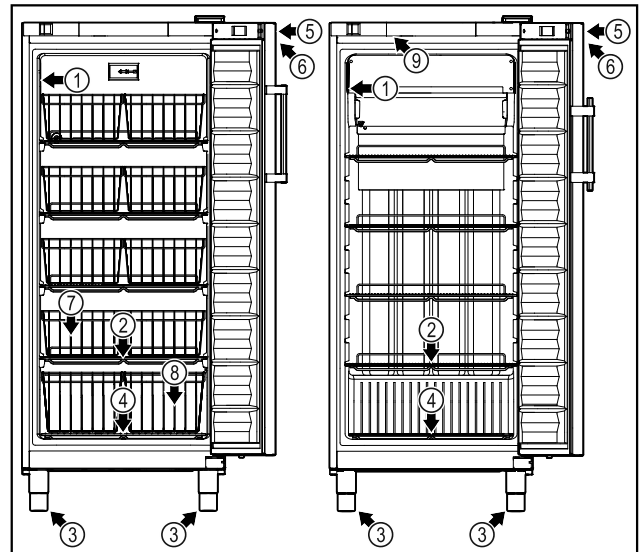


Fig. 2 Example illustration

- (1) Type plate
- (2) Grid shelves
- (3) Adjusting feet
- (4) Floor grating
- (5) Lock
- (6) Control elements and temperature display
- (7) Wire basket
- (8) Floor grating wire basket
- (9) Interior lighting *

2 Appliance at a glance

2.1 Scope of supply

Check all parts for transport damage. If you have any complaints, please contact your dealer or Customer Service. (see 10.3 Customer Service)

The delivery comprises the following parts:

- Free-standing appliance
- Equipment *
- Installation materials *
- Operating instructions
- Service brochure
- Quality certificate *
- Mains cable

2.2 Overview of appliance and equipment

FFF..sg 4001
BFFsG 4001

FFF..vg 4001

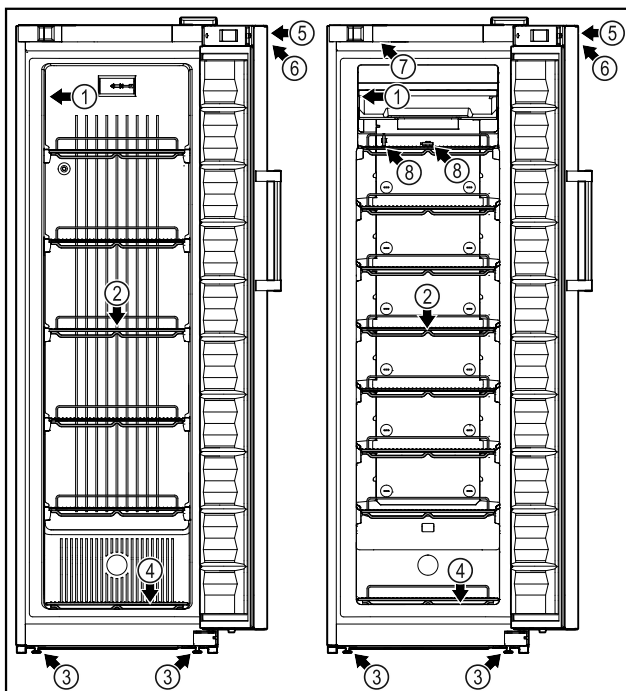


Fig. 1 Example illustration

- (1) Type plate
- (5) Lock

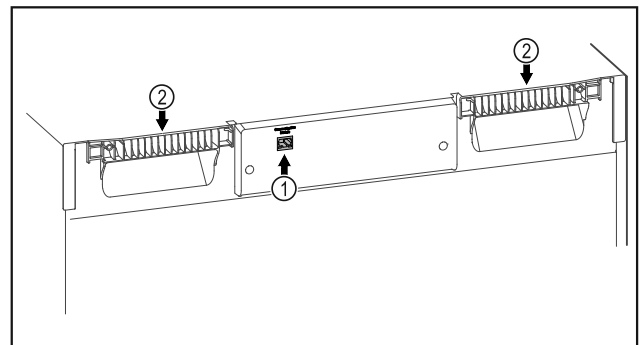


Fig. 3 Example illustration

- (1) LAN interface
- (2) Carrying aid

2.3 Special features

Note

Accessories are available from Customer Service (see 10.3 Customer Service) and the Liebherr-Hausgeräte store at home.liebherr.com/shop/de/deu/zubehor.html.

SmartModule*

The appliance can be equipped with a SmartModule.*

It is a WLAN and LAN interface for the connection between the appliance and an external documentation and alarm system such as Liebherr SmartMonitoring dashboard.*

Liebherr SmartMonitoring dashboard is not available in all countries. Check availability via the QR code (see 7.2.11 WiFi connection *) by entering your model.

2.4 Range of use of appliance

Intended use

This freezer is appropriate for the professional storage of frozen foodstuffs. This appliance is not intended for the presentation or removal of foodstuffs by customers.

The appliance is only designed for use in closed rooms.

All other types of use are not permitted.

Foreseeable incorrect use

The following uses are expressly forbidden:

- Storage and refrigeration of:
 - Chemically unstable flammable or corrosive substances
 - Medicines, blood plasma, laboratory preparations or similar substances and products based on the Medical Device Directive 2007/47/EC
- Use in potentially explosive atmospheres
- Use outdoors or in areas exposed to dampness and splashing water

Improper use of the appliance will result in goods stored being damaged or spoiled.

Climate classes

The applicable climate class for your appliance is printed on the type plate.

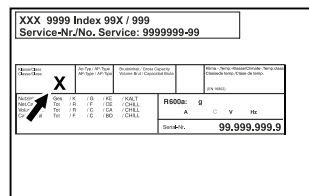


Fig. 4 Type plate

(X) The climate class states the ambient conditions in which the appliance can be operated safely.

Climate class (X)	Max. room temperature	Max. rel. humidity
3	+25 °C	60 %
4	+30 °C	55 %
5	+40 °C	40 %
7	+35 °C	75 %

Note

The minimum permitted room temperature at the setup location is +10 °C.

At limit conditions, slight condensation may form on the glass door (depending on the equipment) and on the side walls.

Recommended temperature setting:	
Temperature class (Z)	Temperature setting
L1	-18 °C
M1	+5 °C

2.5 Appliance noise emissions

The A-weighted emission sound pressure level during operation of the appliance is under 70 dB(A) (sound power rel. 1 pW).

2.6 Conformity

The coolant circuit has been tested for leak-tightness. The appliance complies with the relevant safety regulations.

EU Declaration of Conformity	
Manufacturer/Exhibitor:	LIEBHERR-HAUSGERÄTE LIENZ GMBH
Address:	A-9900 Lienz, Dr. Hans Liebherr Straße 1
The designated product complies with the provisions of the following European directives and regulations:	
(EU) 2019/2020, (EU) 2015/1095, (EU) 2015/1094, (EU) 2017/1369, 2006/42/EC, 2014/30/EU, 2009/125/EC, 2011/65/EU	
The full text of the EU Declaration of Conformity is available at the following web address: www.liebherr.de	

2.7 SVHC substances according to REACH regulation

You can check whether your appliance contains SVHC substances according to REACH regulation at the following link: home.liebherr.com/de/deu/de/liebherr-erleben/nachhaltigkeit/umwelt/scip/scip.html

2.8 EPREL database

Details about the labelling of energy consumption and ecodesign requirements will be available on the European Product Database (EPREL) from 1 March 2021. You can access the product database at the following link: <https://eprel.ec.europa.eu/>. You will be asked to enter the model identification. The model identification can be found on the type plate.

3 Setting up and connecting

3.1 Installation requirements

The installation conditions are crucial to ensure that you can operate your appliance safely, efficiently and without problems.

- Observe all safety instructions.
- Consider the location and position in the room.



WARNING

Danger of fire due to incorrect positioning!
If the mains cable or plug touches the back of the appliance, the vibration can damage the mains cable or the plug resulting in a short circuit.

- ▶ Make sure the mains cable is not trapped under the appliance when you position the appliance.
- ▶ Stand the appliance so that it is not touched by connectors or main cables.
- ▶ Do not connect any appliances to sockets in the area of the back of the appliance.
- ▶ Do **not** place and operate multi-sockets/power distributors and other electronic devices (such as halogen transformers) at the back of the appliances.

Setting up and connecting



WARNING

Fire hazard due to dampness!
If live parts or the mains lead become damp this may cause short circuits.

- ▶ The appliance is designed for use in enclosed areas. Do not operate the appliance outdoors or in areas where it is exposed to splash water or damp conditions.



WARNING

Leaking coolant and oil!
Fire. The coolant contained in the appliance is eco-friendly, but also flammable. The oil contained in the appliance is flammable. Escaping coolant and oil can ignite if the concentration is high enough and in contact with an external heat source.

- ▶ Do not damage the pipelines of the coolant circuit and the compressor.

3.1.1 Installation site

- A dry and well-ventilated room is an optimum installation location.
- If the appliance is installed in a very damp environment, condensation may form on the appliance exterior. Always make sure there is good ventilation and aeration at the installation site.
- The more refrigerant there is in the appliance, the larger than room must be in which it is located. In rooms that are too small, a leak can produce a flammable gas/air mixture. For every 8 g of refrigerant, the installation room must be at least 1 m³ in size. Information on the refrigerant contained is given on the type plate inside the appliance.
- The floor on which the appliance stands must be horizontal and level.

3.1.2 Position in space

- Do not place the appliance in direct sunlight or near radiators or similar sources of heat.
- Always position the appliance with the rear directly on the wall.
- Use in hazardous areas is not permitted.

3.2 Appliance dimensions

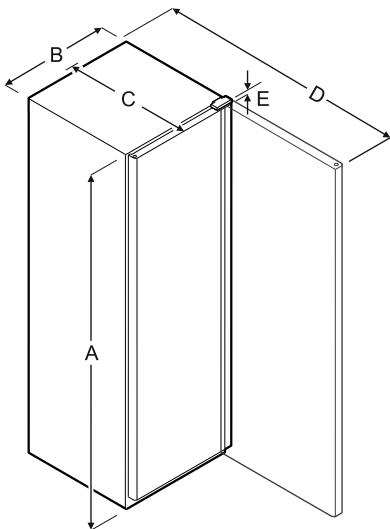


Fig. 5

Model	A	B	C	D	E
FFF.sg 4001	1884 mm	597 mm	654 mm	1203 mm	23 mm
FFF.sg 5501	1818 mm	747 mm	769 mm	1468 mm	23 mm
FFF.vg 4001	1884 mm	597 mm	654 mm	1203 mm	23 mm
FFF.vg 5501	1818 mm	747 mm	769 mm	1468 mm	23 mm
FFF.vg 6501	2018 mm	747 mm	769 mm	1468 mm	23 mm
FFF.sg 4001	1884 mm	597 mm	654 mm	1203 mm	23 mm
BFF.sg 4001	1884 mm	597 mm	654 mm	1203 mm	23 mm
FFF.sg 5501	1818 mm	747 mm	769 mm	1468 mm	23 mm
FFF.sg 6501	2018 mm	747 mm	769 mm	1468 mm	23 mm

A = appliance height including feet/castors

B = appliance width without handle

C = appliance depth without handle

D = appliance depth with door open

E = hinge height

3.3 Transporting the appliance



WARNING

Risk of injury and damage due to the appliance tipping over!
▶ Pay attention to uneven floors and ramps when transporting appliances.

3.3.1 Transporting the appliance for initial use

Ensure that the following requirements are met:

- The appliance is packaged.
- The appliance is upright.
- ▶ Transport the appliance with the help of two people.
- ▶ Unpacking the appliance.

3.3.2 Transporting the appliance after initial use

Observe the following instructions if you wish to transport or move the appliance again after initial use.

Ensure that the following requirements are met:

- The appliance is emptied.
 - The appliance is upright.
 - Door is secured against accidental opening.
 - The pull-out trolley is secured against accidental opening.
 - ▶ Transport the appliance with the help of two people.
- After transport:
- ▶ Unscrew the adjustable feet on the appliance.
 - ▶ Align the appliance.

3.4 Unpacking appliance

- ▶ Check the appliance and the packaging for damage during transport. Contact the supplier immediately if you suspect any damage. Do not connect appliance to the power supply.
- ▶ Remove all packaging materials from the rear or the side walls of the fridge that may prevent proper installation or prevent air flow and ventilation.

3.5 Reversing the door opening direction

Tools



WARNING

Risk of injury if the door is not reversed correctly!

- ▶ Replace the door hinge with specialist personnel.



WARNING

Risk of injury and material damage due to heavy door!

- ▶ Only perform the conversion if you can carry a weight of 25 kg.
- ▶ Always have someone help you carry out the conversion.

NOTICE

Live parts!

Damage to electrical components.

- ▶ Remove the mains plug before you reverse the door.

- ▶ Open the door.

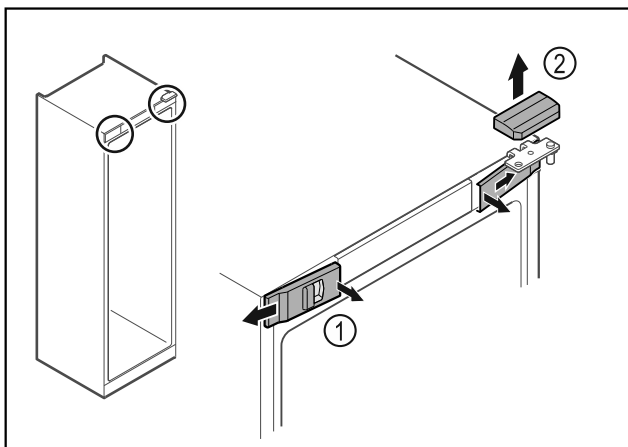


Fig. 6

- ▶ Unlatch the front covers Fig. 6 (1) on the inside and remove them sideways.
- ▶ Lift off the upper cover Fig. 6 (2).

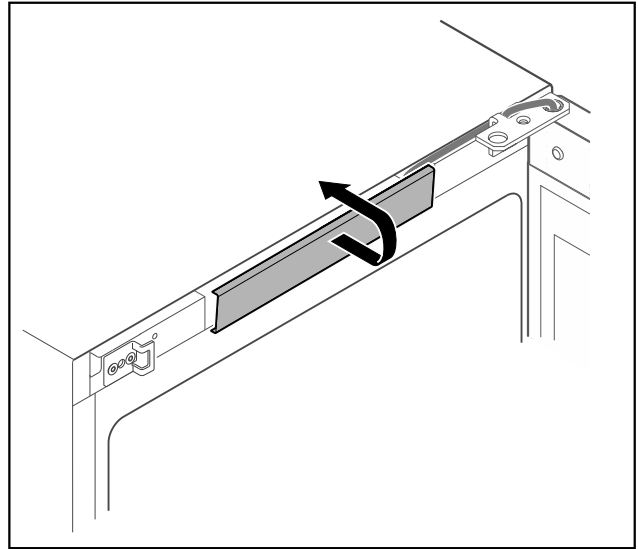


Fig. 7

- ▶ Unlatch the middle cover and remove it.

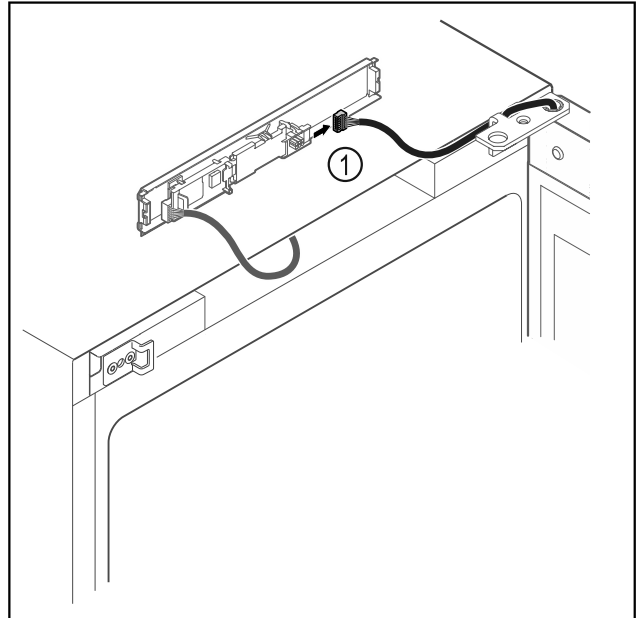


Fig. 8

- ▶ Disconnect the plug Fig. 8 (1) from the circuit board.

Setting up and connecting

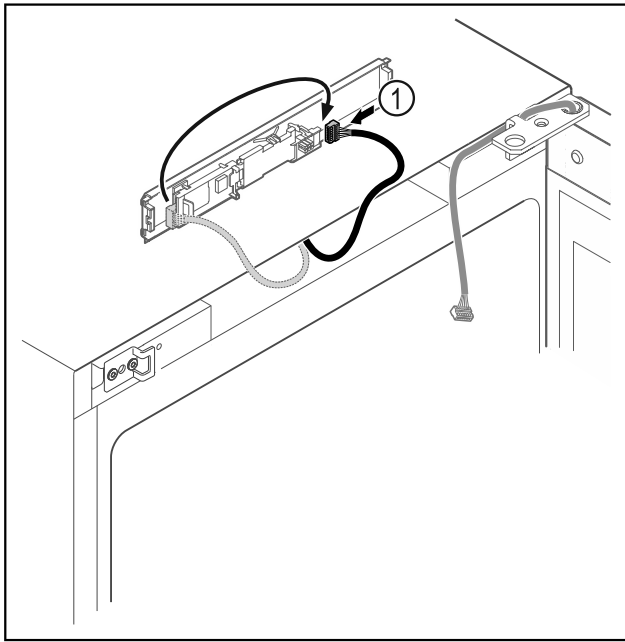


Fig. 9

- ▶ Connect the plug Fig. 9 (1) to the circuit board.

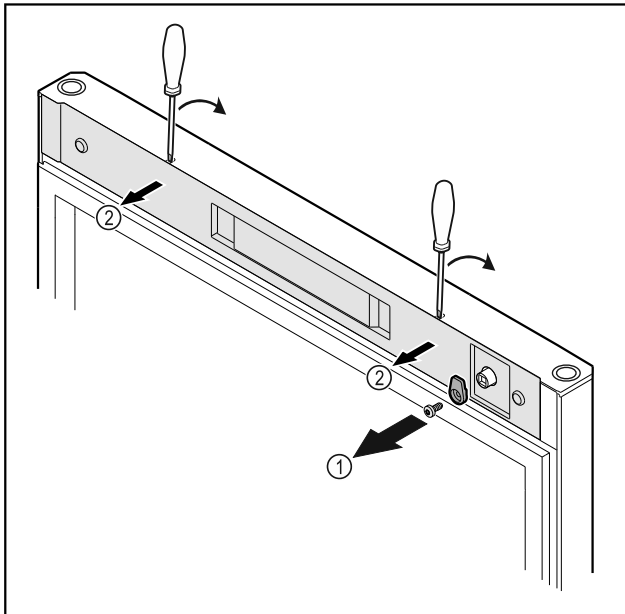


Fig. 10

- ▶ Unscrew the door latch Fig. 10 (1).
- ▶ Unlatch the cover Fig. 10 (2) with a small screwdriver and remove it.

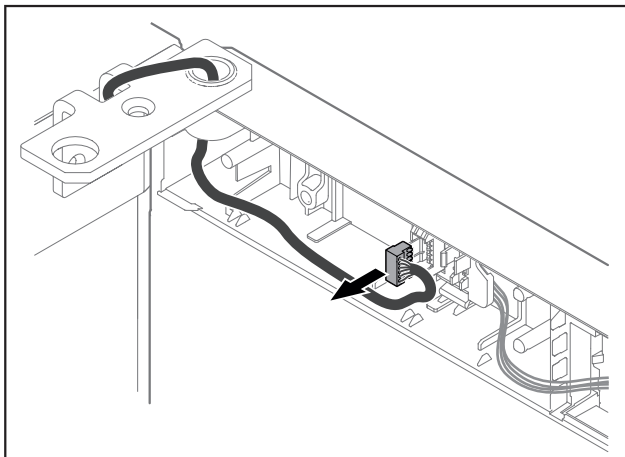


Fig. 11

- ▶ Remove the plug from the plug holder.
- or-

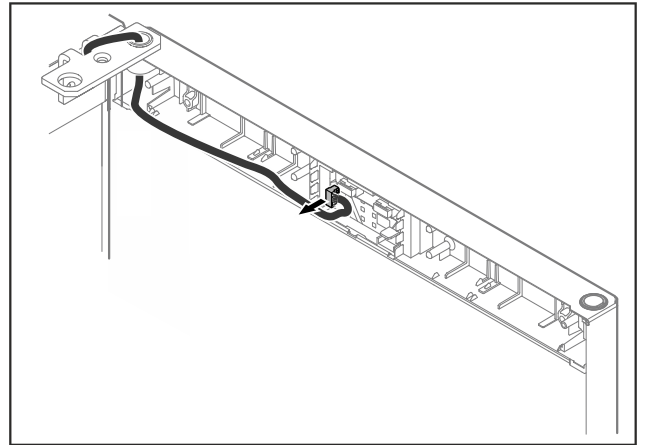


Fig. 12

- ▶ Remove the plug from the circuit board.

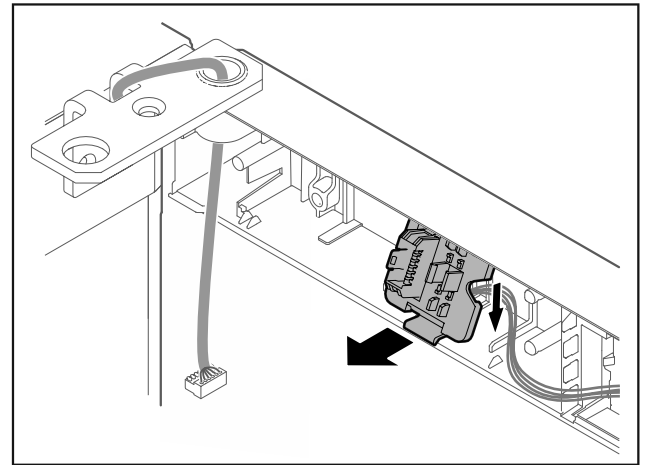


Fig. 13 The installation position for the plug holder can be rotated by 180°.*

- ▶ Unlatch the plug holder.*

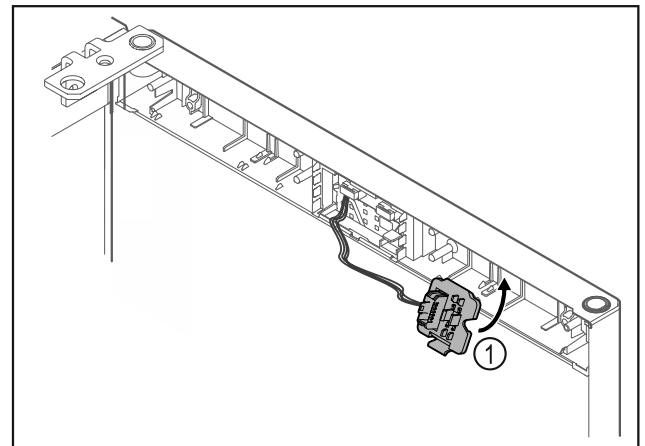


Fig. 14

- ▶ Engage the plug holder Fig. 14 (1) on the opposite side.*

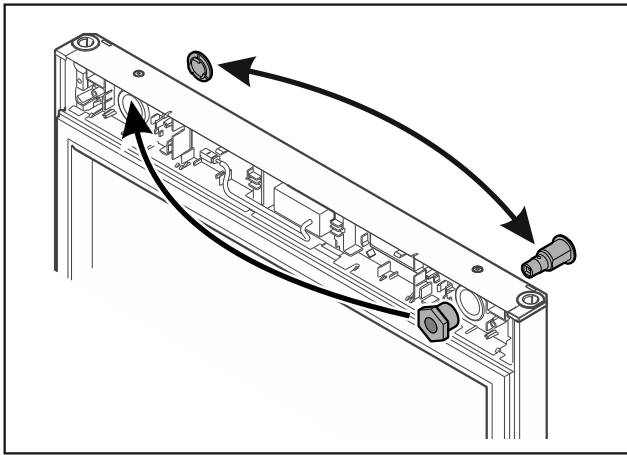


Fig. 15

- ▶ Put the lock and cover on the opposite side.
-or-

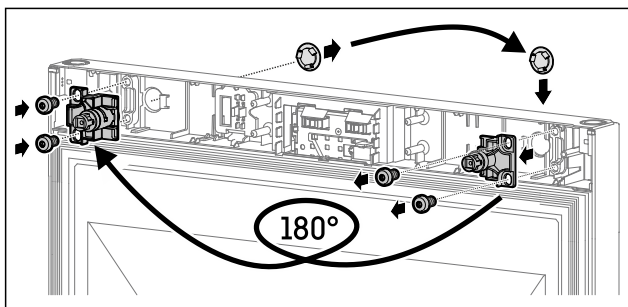


Fig. 16

- ▶ Put the lock and cover on the opposite side.

NOTICE

Risk of injury if the door tips out!

- ▶ Hold the door.

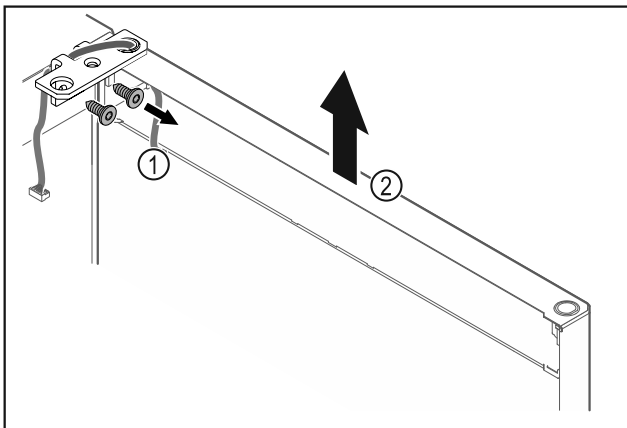


Fig. 17

- ▶ Unscrew the hinge Fig. 17 (1).
- ▶ Lift the door with the hinge straight up by Fig. 17 (2) roughly 200 mm and take it off.
- ▶ Carefully place the door on a soft surface.

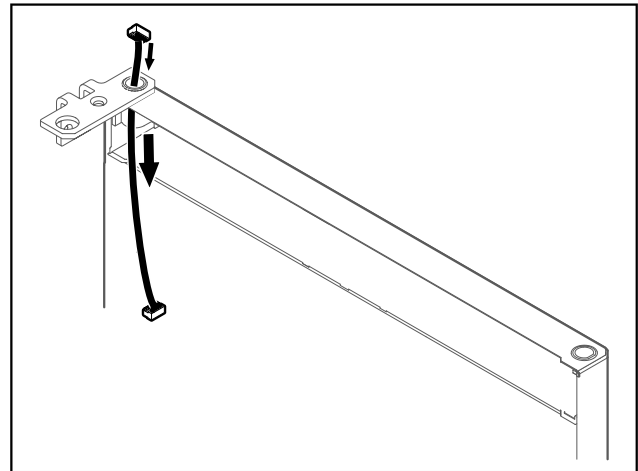


Fig. 18

- ▶ Carefully pull out the cable.

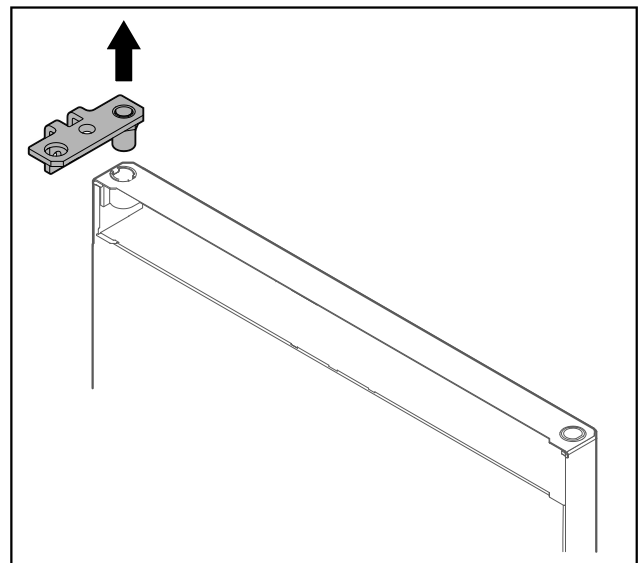


Fig. 19

- ▶ Pull out the hinge.

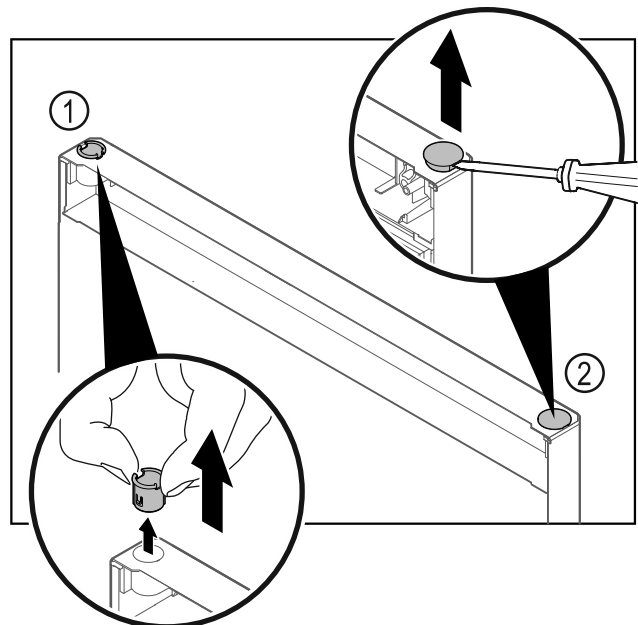


Fig. 20

- ▶ Pull out the hinge bushing Fig. 20 (1) with your fingers.
- ▶ Carefully lift the cover plug Fig. 20 (2) with a slotted screwdriver and pull it out.

Setting up and connecting

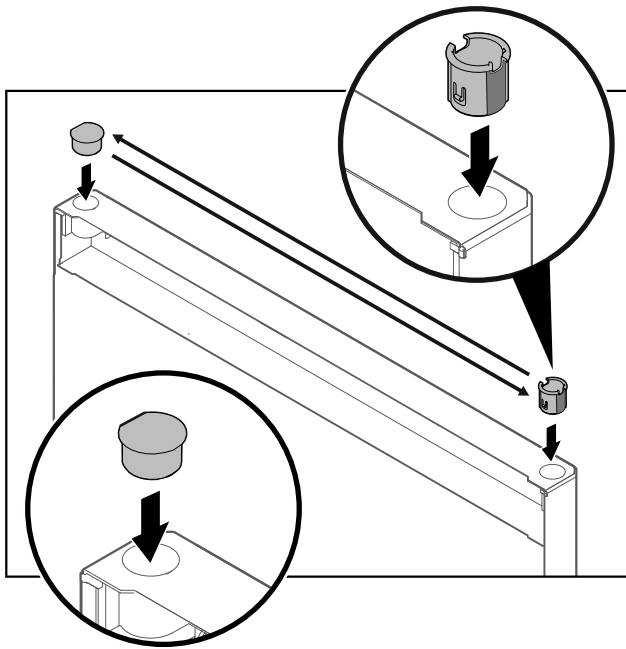


Fig. 21

- ▶ Insert hinge bushing and cover plug on the opposite side (the flattened sides face outwards).

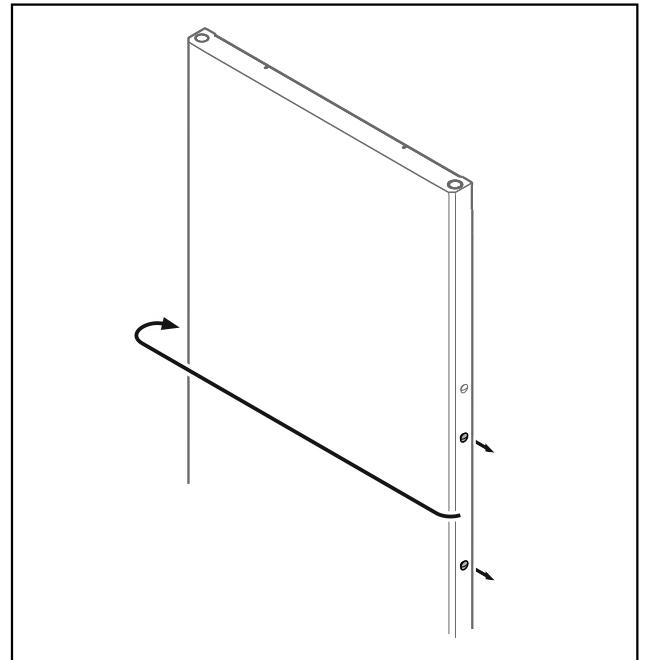


Fig. 23

- ▶ Put the stopper on the opposite side.

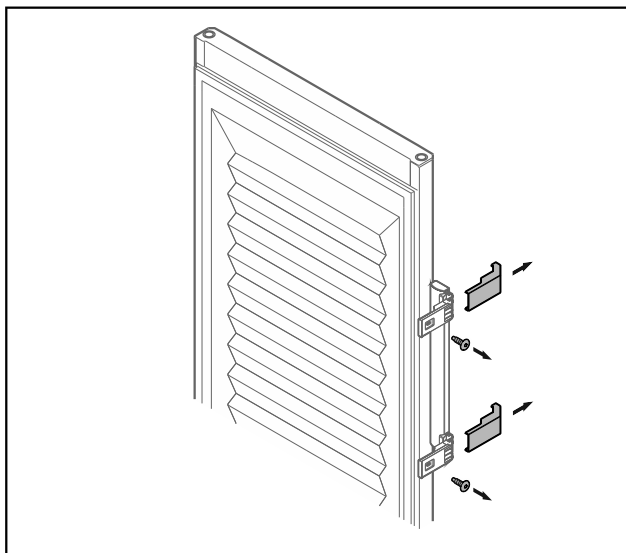


Fig. 22 Insulated door

- ▶ Remove the panels.
- ▶ Unscrew the handle.

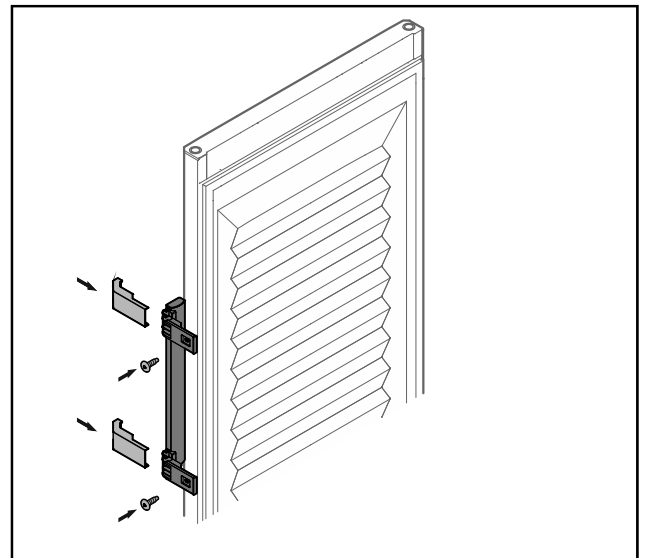


Fig. 24 Insulated door

- ▶ Screw the handle onto the opposite side.
- ▶ Attach the panels.

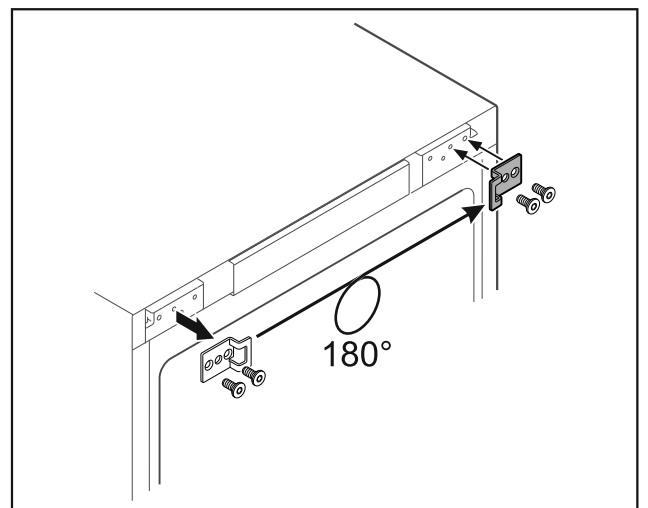


Fig. 25

- ▶ Put the closing bracket on the opposite side.

Note

The holes are pre-marked and must be pierced with the self-tapping screws.

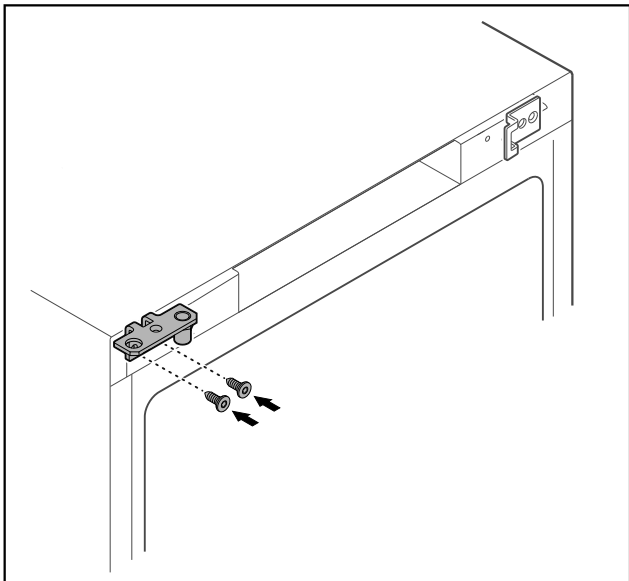


Fig. 26

- ▶ Move the hinge to the opposite side.



WARNING

Risk of injury and material damage if the door tips out!

- ▶ Tighten the bearing pins to the specified torque.

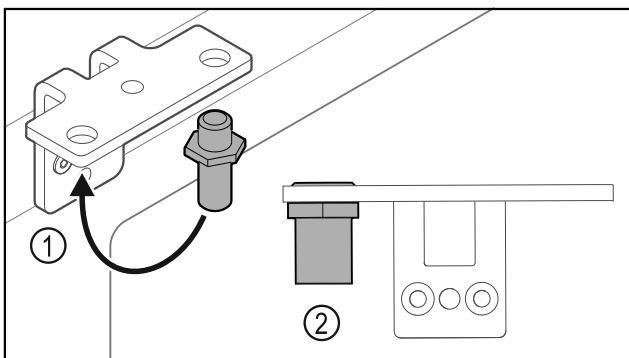


Fig. 27

- ▶ Put the pin back into the hinge Fig. 27 (1).
- ▶ Tighten the pin Fig. 27 (2) to a **torque of 12 Nm**.
- ▶ Unscrew the hinge again.

NOTICE

Risk of injury due to tensioned spring!

- ▶ Do not disassemble the door closing system Fig. 28 (1).

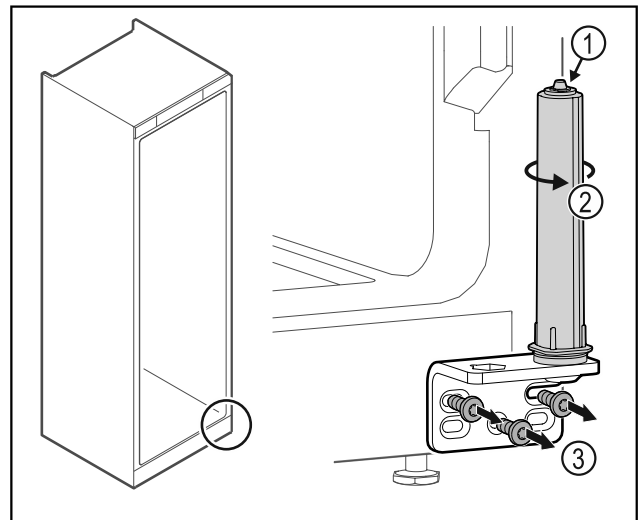


Fig. 28

- ▶ Turn the closing system Fig. 28 (2) until it clicks.
- ▶ The tension of the closing system is released.
- ▶ Unscrew the hinge Fig. 28 (3).

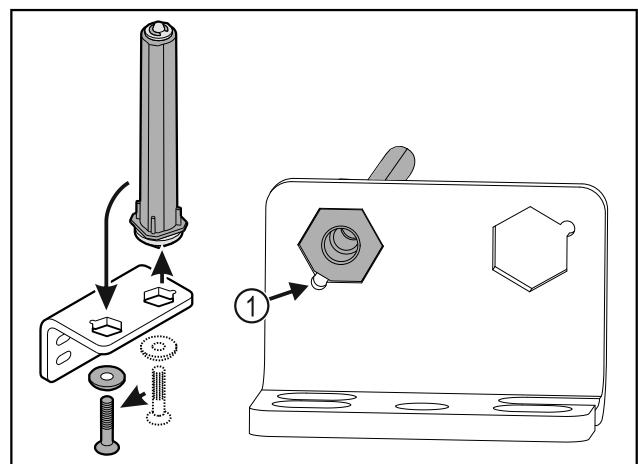


Fig. 29

- ▶ Put the door closing system in the hinge.
- ▶ Make sure the pin chamfer Fig. 29 (1) faces the round hole when you put it in.

-or-

Note

Incorrect alignment of the height adjustment washers. Nuts no longer have sufficient hold.

- ▶ The washer must lock into the underside of the closing system.

Setting up and connecting

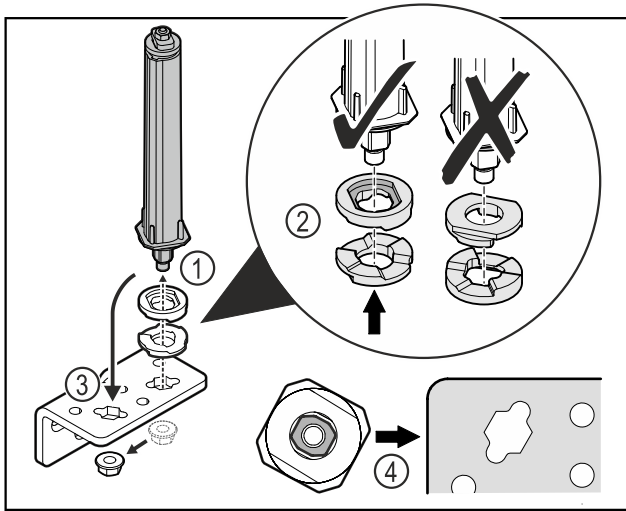


Fig. 30

- ▶ Loosen the nut and remove the door closing system Fig. 30 (1).
- ▶ Observe the correct alignment of the height adjustment washers Fig. 30 (2).
- ▶ Put the door closing system in the hinge and fix in place with the nut Fig. 30 (3).
- ▶ Observe the correct alignment of the door closing system when doing so Fig. 30 (4).

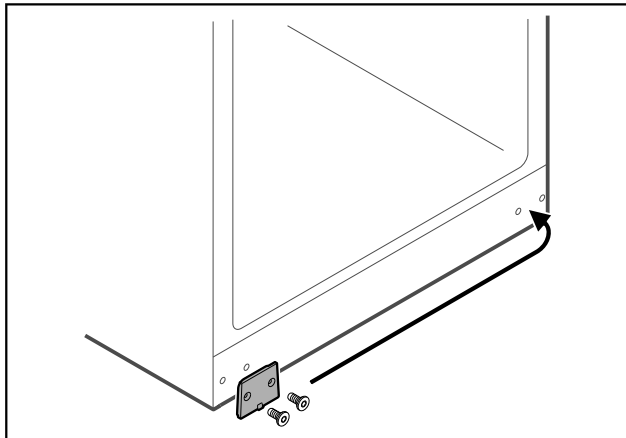


Fig. 31

- ▶ Put the cover plate on the opposite side.

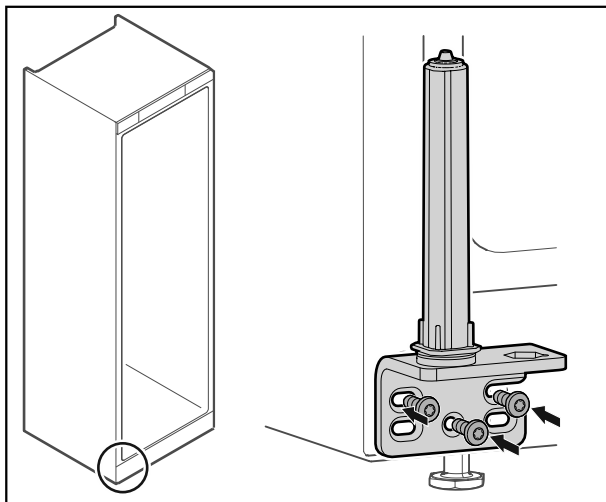


Fig. 32

- ▶ Screw the hinge onto the opposite side.

Note

Correct alignment and tension are important for the closing system to work properly.

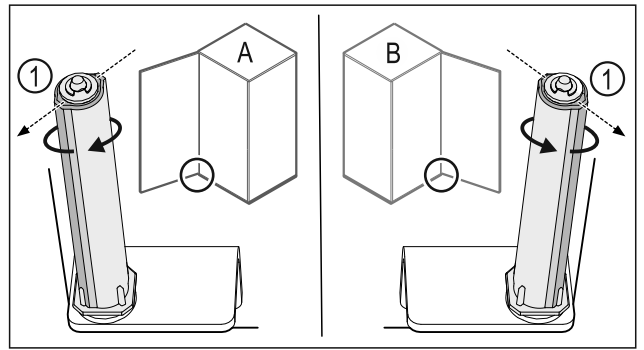


Fig. 33 Left-hinged (A) / Right-hinged (B)

- ▶ Turn the closing system against the resistance until the bar of the closing system Fig. 33 (1) points outwards.
- ▶ The closing system automatically stays in this position.
- ▶ The closing system is now aligned and tensioned.

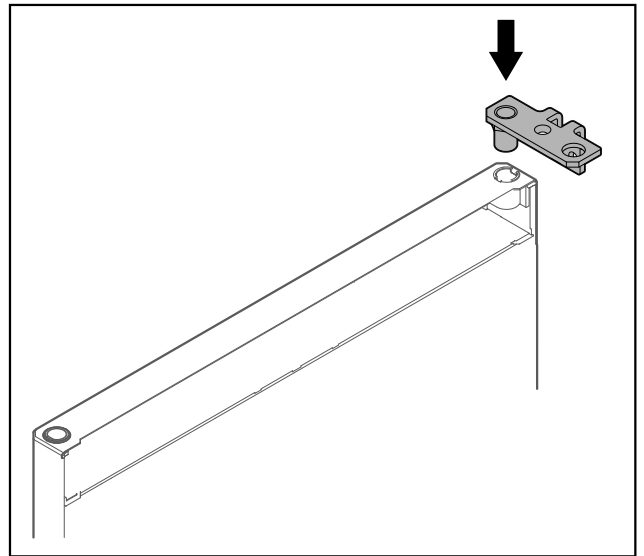


Fig. 34

- ▶ Put the hinge into the door.

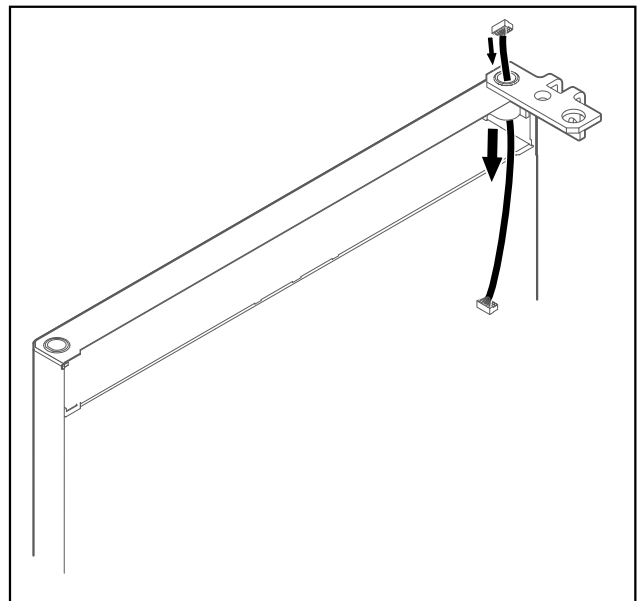


Fig. 35

- ▶ Carefully push the cable through.

NOTICE

Risk of injury if the door tips out!

- ▶ Hold the door.

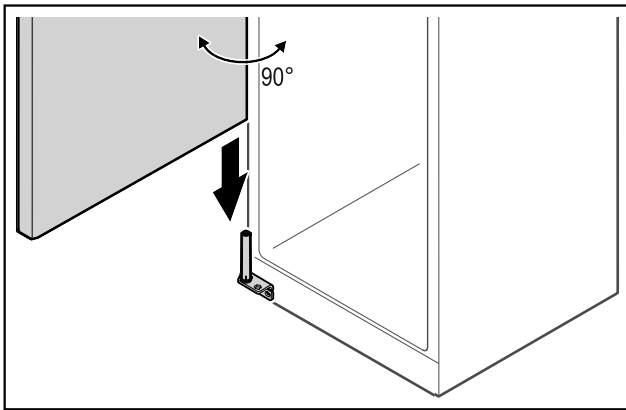


Fig. 36

- ▶ Together with a second person, lift the door from the ground.
- ▶ Carefully put the door on the closing system with the door opened at a 90° angle.

NOTICE

Material damage due to incorrect mounting!

- ▶ Do not pinch the cable when mounting the hinge.

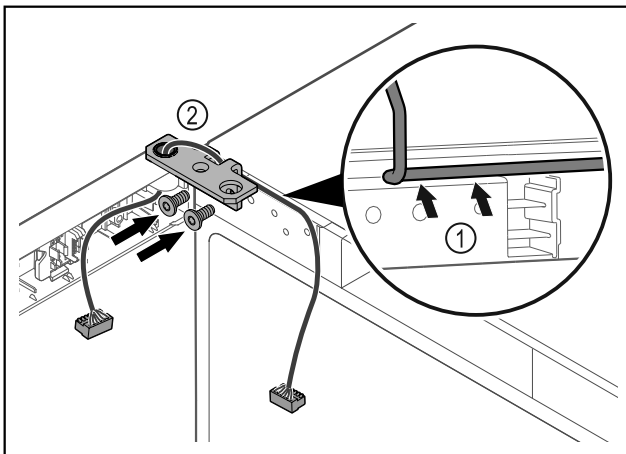


Fig. 37

- ▶ Feed the cable through the recess in the hinge and lay it carefully Fig. 37 (1).
- ▶ Screw on the hinge Fig. 37 (2).

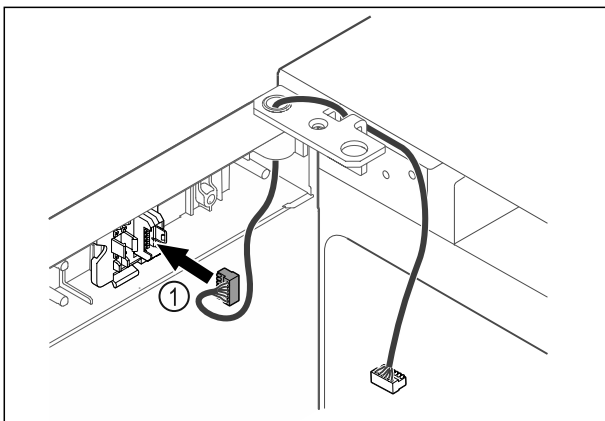


Fig. 38

- ▶ Put the plug Fig. 38 (1) in the plug holder.

-or-

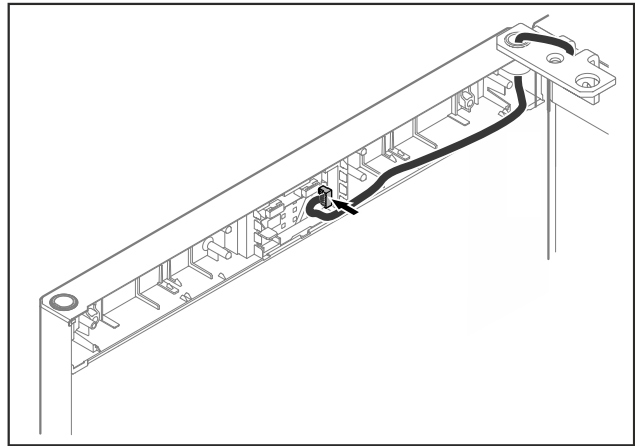


Fig. 39

- ▶ Plug the connector into the circuit board.

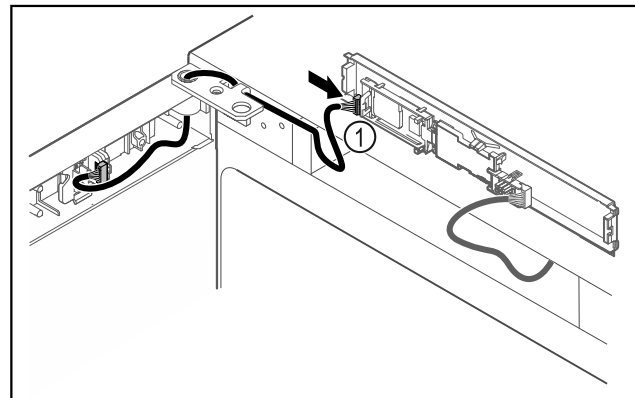


Fig. 40

- ▶ Connect the plug Fig. 40 (1) to the circuit board.

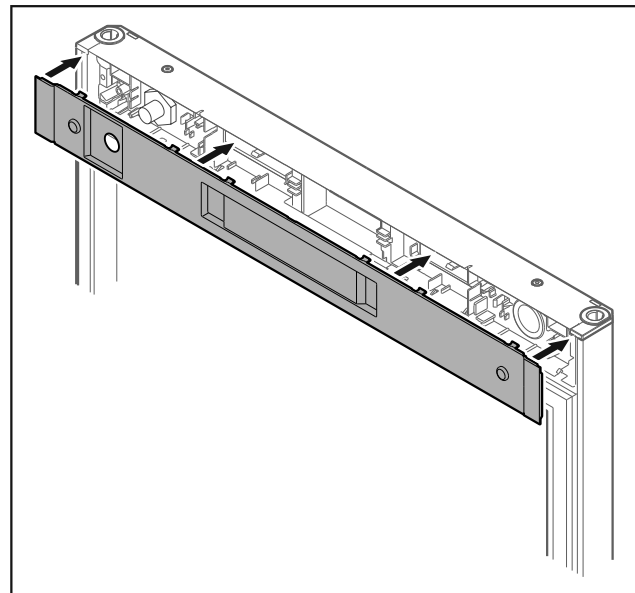


Fig. 41

- ▶ Set the cover back in place.

Setting up and connecting

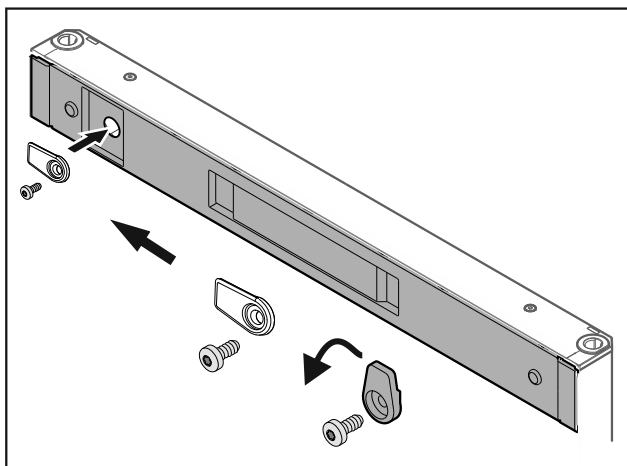


Fig. 42

- ▶ Screw on the door latch.

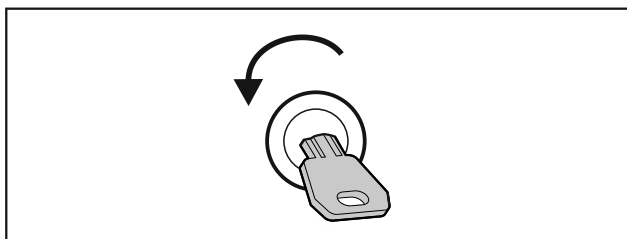


Fig. 43

- ▶ Open the door.

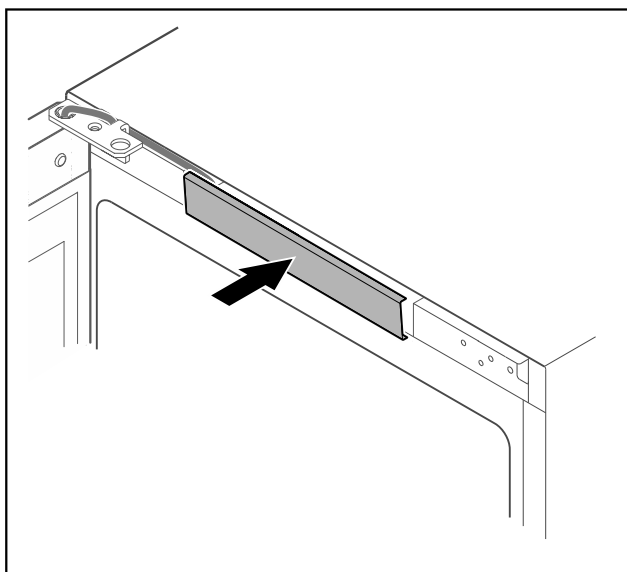


Fig. 44

- ▶ Snap in the middle cover.

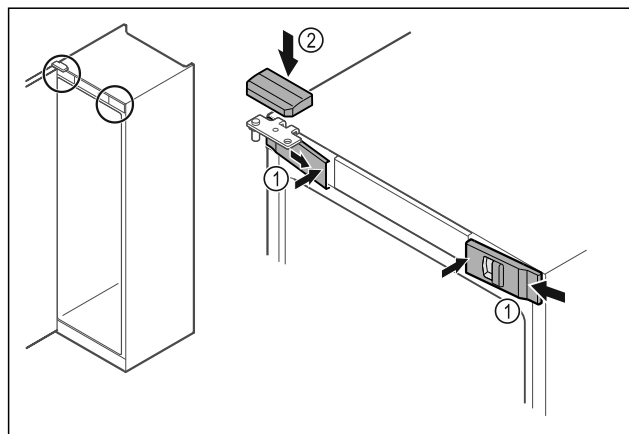


Fig. 45

- ▶ Hook in the front covers Fig. 45 (1) on the side and snap them into place on the inside.
- ▶ Snap on the top cover Fig. 45 (2) from above.
- ▶ Close the door.
- ▶ The door has now been reversed.

3.6 Aligning the door

If the door is not straight, you can adjust it on the lower hinge.

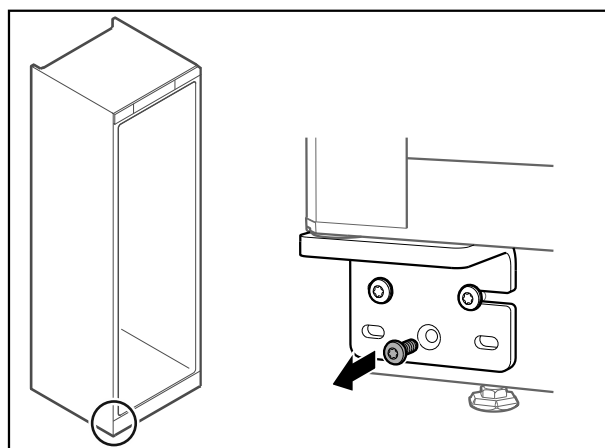


Fig. 46

- ▶ Remove the middle screw on the lower hinge.

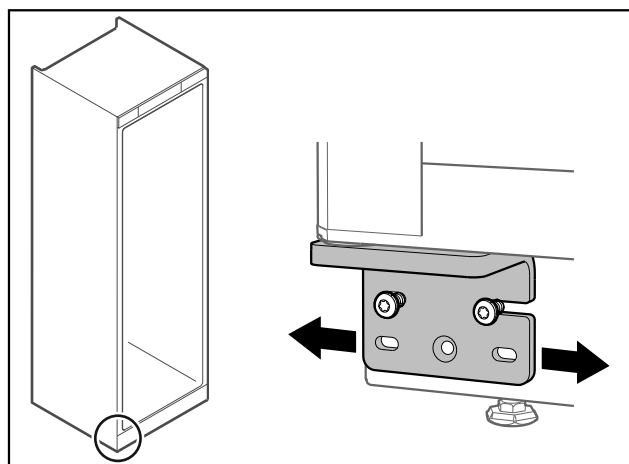


Fig. 47

- ▶ Slightly undo both screws and move the door with the hinge to the left or right.
- ▶ Fully tighten the screws (the middle screw is no longer needed).
- ▶ The door is now straight.

3.7 Removing transport lock

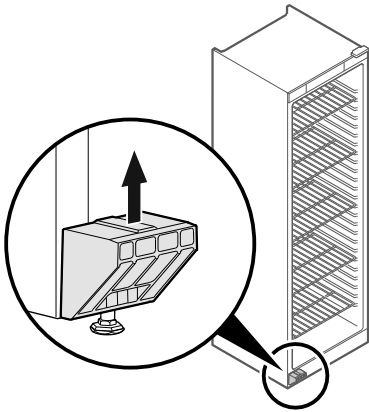


Fig. 48

- ▶ Remove transport lock in upwards direction.
- ▶ Base holder remains on the appliance.

3.8 Installing door handle

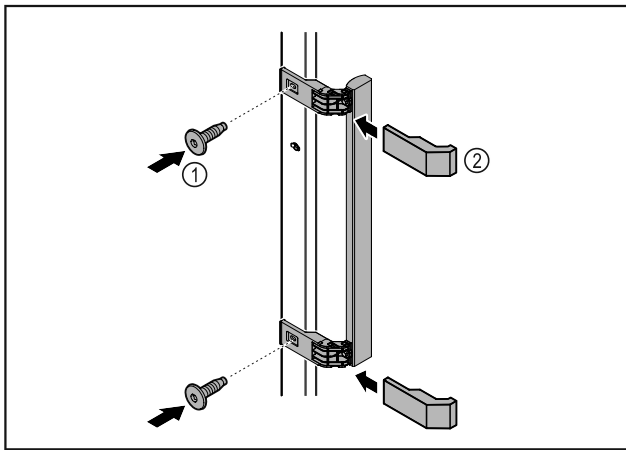


Fig. 49

- ▶ Attach handle from accessory kit to the door using the screws supplied Fig. 49 (1).
- ▶ Put on cover Fig. 49 (2).
- ▶ Insert the plug from the accessory pack on the opposite side.*

3.9 Installing appliance



CAUTION

- Risk of injury and damage.
- ▶ Use 2 people to install appliance.



CAUTION

- Risk of injury and damage.
- The door can knock against the wall and become damaged as a result. In the case of glass doors, the damaged glass can cause injuries.
- ▶ Protect the door from knocking against the wall. Attach door stopper, e.g. felt stopper, to the wall.

- ▶ Connect all necessary components (e.g. mains cable) to the back of the appliance and route to the side.

Note

- Cables can be damaged.
- ▶ Do not jam the cable when pushing the appliance back.

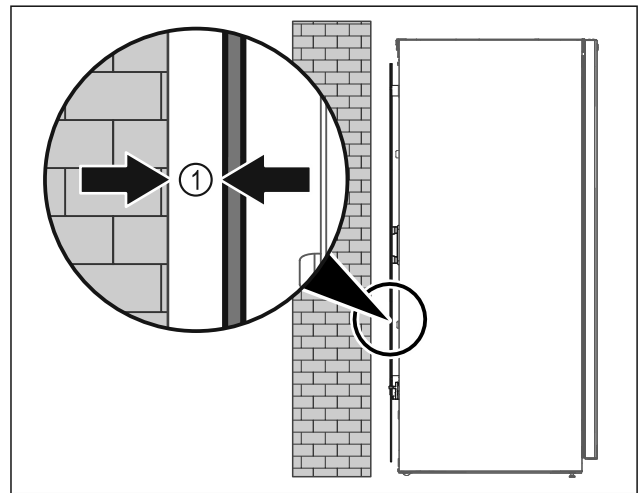


Fig. 50

- ▶ Set up the appliance either free-standing or directly against a wall at a minimum distance of 5 mm Fig. 50 (1).

3.10 Setting up the appliance so it is level

NOTICE

- Appliance body is deformed and door does not close.
- ▶ Align appliance horizontally and vertically.
 - ▶ Compensate for uneven floors using adjustable feet.



WARNING

- Incorrect height adjustment of the adjustable foot!
Can cause severe or even fatal injury. Incorrect height adjustment can cause the bottom part of the adjustable foot to come loose and the appliance to tip over.
- ▶ Do not unscrew the adjustable foot too far.

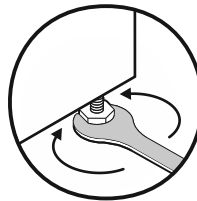


Fig. 51*

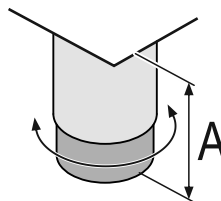


Fig. 52 The adjustable foot can be adjusted from $A = 150 \text{ mm}$ ($6 \frac{5}{16} \text{ in}$) to 180 mm ($7 \frac{1}{16} \text{ in}$).*

Raising appliance:

- ▶ Turn adjustable foot clockwise.

Lowering appliance:

- ▶ Turn adjustable foot anticlockwise.

Setting up and connecting

3.11 Installing multiple appliances

NOTICE

Risk of damage due to condensation between the side walls.

- ▶ Do not install the appliance directly next to another fridge.
- ▶ Install appliances with a space 3 cm between appliances.
- ▶ Only install multiple appliances up to temperatures of 35 °C and 65% humidity next to one another.
- ▶ At higher levels of humidity, increase space between appliances.

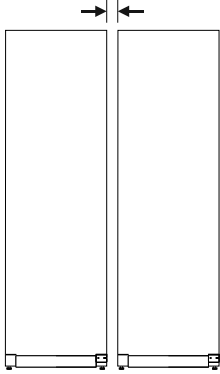


Fig. 53 Side-by-side installation

Note

A side-by-side kit is available as an accessory via Liebherr Customer Service. (see 10.3 Customer Service)

3.12 After installation

- ▶ Peel off the protective films. *
- ▶ Clean appliance. (see 9.2 Cleaning the appliance)
- ▶ If necessary: Disinfect the appliance.
- ▶ Keep the invoice so you have the appliance and dealer information available if needed.

3.13 Disposing of packaging



WARNING

Danger of suffocation due to packing material and plastic film!

- ▶ Do not allow children to play with packing material.

The packaging is made of recyclable materials:

- corrugated board/cardboard
 - expanded polystyrene parts
 - polythene bags and sheets
 - polypropylene straps
 - nailed wooden frame with polyethylene panel*
- ▶ Take the packaging material to an official collecting point.

3.14 Connecting the appliance to the power supply



WARNING

Danger of electric shock and injury due to damaged appliance or damaged mains cable!

Danger of cuts and fatal injuries. If the appliance or the mains cable is damaged during transport, you may be electrocuted. You could also cut yourself on damaged parts of the appliance housing.

- ▶ Check the appliance and the mains cable for damage after transport.
- ▶ Never put the appliance into operation if the appliance or the mains cable are damaged.
- ▶ Contact Customer Service.

You can connect your appliance to the mains using the power cable supplied separately. The mains power cable has an appliance coupler at one end and a mains plug at the other end.

Make sure that the following requirements are fulfilled:

- The appliance and power cable are undamaged.
- The appliance is set up in accordance with the regulations. (see 3.7 Removing transport lock)
- Requirements for the electrical connection are met.
- Dimensions for connection in accordance with regulations are known and observed.
- Mains voltage and frequency correspond to the specifications on the type plate.
- The socket is earthed according to the regulations and fused.
- The fuse tripping current is between 10 A and 16 A.
- The socket is easily accessible and is not behind the appliance.

NOTICE

Danger of damage to incorrect operation!

Damage to the electrical components of the appliance.

- ▶ Only use the supplied mains cable.
- ▶ Mains cable too short: Order a longer mains cable via customer service. (see 10.3 Customer Service)



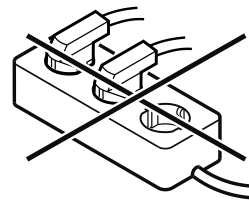
WARNING

Danger of fire due to incorrect connection!

Burns.

Damage to the appliance.

- ▶ Do not use an extension cable.
- ▶ Do not use distributor blocks.



NOTICE

Danger of damage to incorrect connection!

Damage to the appliance.

- ▶ Do not connect the appliance to a stand-alone inverter, e.g. solar power systems and petrol generators.
- ▶ Connect the mains cable plug to the power supply. Ensure that the plug is tightly in the socket.
- ▶ The standby symbol appears in the display.
- ▶ If no action occurs within 60 seconds: The standby symbol fades or disappears.




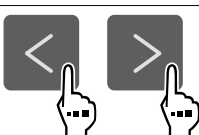


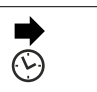
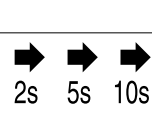
► The appliance is connected. For information regarding first use, see the following section or the operating instructions.


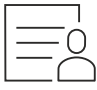
4 Functionality of the Touch display

You operate your appliance using the Touch display. You select appliance functions in the Touch display (hereafter referred to as display) by tapping them. If you do not perform any action on the display for 10 seconds, the display either jumps back to the higher-level menu or directly to the status display.

4.1 Navigation and symbol explanation

In the illustrations, different symbols are used to navigate the display. The following table describes these symbols.

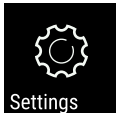

Symbol	Description
	Press the Next navigation arrow: Navigates to the next option in the menu.
	Press the Back navigation arrow: Jumps back one option in the menu.
	Press and hold the Back navigation arrow for 3 seconds: Jumps back to the status display in the main menu or from the Settings menu.
	Press the navigation arrow several times in succession: Navigates in the menu to the desired function.
	Press the Confirm symbol: Activates/deactivates function. Opens submenu.
	Press the Confirm symbol together with the back icon: Jumps back one menu level.
	Arrow with clock: It takes more than 10 seconds for the following message to appear in the display.
	Arrow with a time indication: It takes the specified amount of time until the following message appears in the display.

Symbol	Description
	“Open Settings menu” symbol: Navigates to the Settings menu and opens the settings menu. If necessary: Navigate to the desired function in the Settings menu. (see 4.2.1 Opening the Settings menu)
	“Open Advanced menu” symbol: Navigates to the Advanced menu and opens the advanced menu. If necessary: Navigate to the desired function in the Advanced menu. (see 4.2.2 Opening the Advanced menu)
No action for 10 seconds	If you do not perform any action on the display for 10 seconds, the display either jumps back to the higher-level menu or directly to the status display.
Opening door and closing it again	If you open the door and immediately close it again, the display jumps directly back to the status display.

Note: Illustrations of the display are shown in the English version.

4.2 Menus

The appliance functions can be found in various menus.

Menu	Description
Main menu	When you switch the appliance on, you are automatically in the main menu. From here you can navigate to the most important appliance functions, to the Settings menu and to the Advanced menu.
 Settings	The Settings menu contains additional appliance functions for setting up your appliance. (see 4.2.1 Opening the Settings menu)
 Advanced menu	The advanced menu contains special appliance functions for setting up your appliance. Access to the Advanced menu is protected by the numerical code 151 . (see 4.2.2 Opening the Advanced menu)

4.2.1 Opening the Settings menu

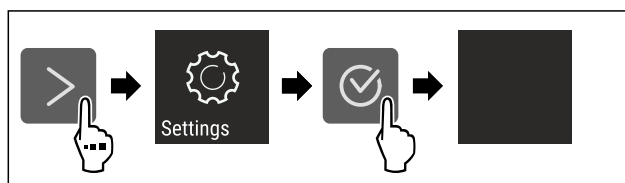


Fig. 54 Example illustration

- Carry out action steps according to the illustration.
- Settings menu is open.
- If necessary: Navigate to the desired function.

Putting into operation

4.2.2 Opening the Advanced menu

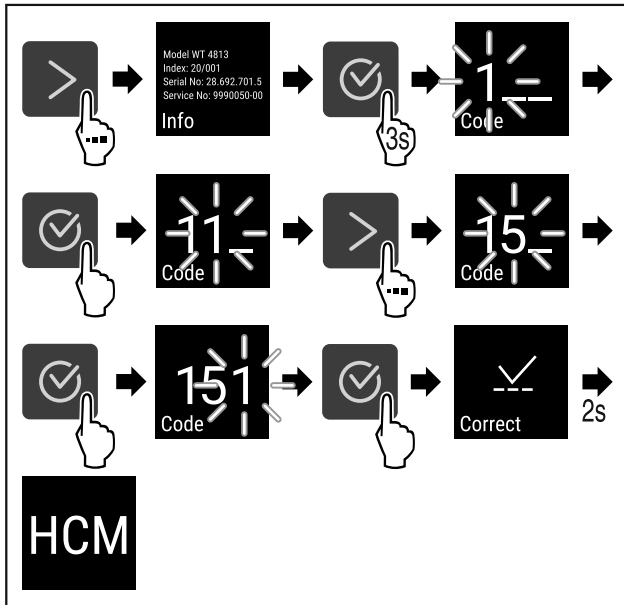


Fig. 55 Access with numerical code **151**

- ▶ Carry out action steps according to the illustration.
- ▶ The expanded menu is open.
- ▶ If necessary: Navigate to the desired function.

4.3 Sleep mode

If you do not touch the display for 1 minute, the display switches to sleep mode. In sleep mode, the display brightness is dimmed.

4.3.1 Ending sleep mode

- ▶ Press any navigation key.
- ▶ Sleep mode is ended.

5 Putting into operation

5.1 Switching on appliance (first use)

Make sure the following prerequisites are met:

- Appliance is installed and connected.
- All adhesive strips, adhesive and protective films and transport locks are removed from inside and outside the appliance.

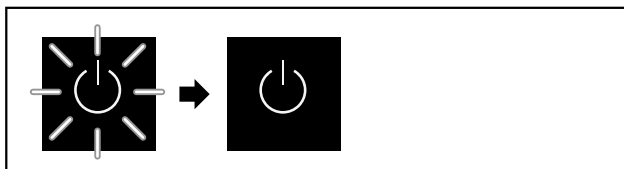


Fig. 56 Example illustration

The standby symbol flashes until the startup process is complete.

The standby symbol is shown in the display.

If the appliance has been supplied with factory settings, the screen language first needs to be selected when using for the first time.

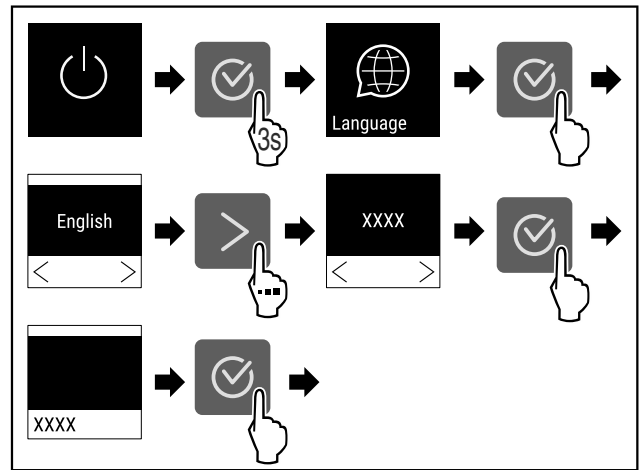


Fig. 57

- ▶ Carry out action steps according to the illustration.

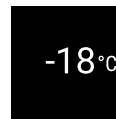


Fig. 58

- ▶ The appliance is switched on once the temperature appears in the display.
- ▶ The temperature display flashes until the set temperature is reached.

6 Storage

6.1 Information regarding storage

Note

Failure to follow these guidelines can lead to food becoming spoiled.

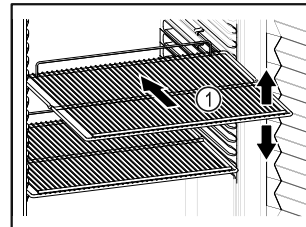


Fig. 59 Example illustration

When stocking observe the following:

- If storage surfaces Fig. 59 (1) are movable, adjust them according to height.
- Observe maximum load weight. (see 10.1 Technical specifications)
- Do not load appliance until storage temperature has been reached (maintain cold chain).
- Refrigerated goods must not touch the rear wall.
- Refrigerated items do not protrude beyond the shelves.
- Keep liquids in closed containers.
- Package raw meat or fish in clean, closed containers. This will prevent meat or fish from touching or dripping onto other food.
- Leave space when storing items for refrigeration to ensure good air circulation.

6.2 Storage times

The best-before date specified on the packaging should be used as the reference point for the storage time.

7 Controls

7.1 Control and display elements

The display provides a quick overview of the current appliance status, the temperature setting, the status of functions and settings as well as alarm and error messages.

It is operated using the navigation arrows and confirmation symbol.

Functions can be activated or deactivated and setting values can be changed.

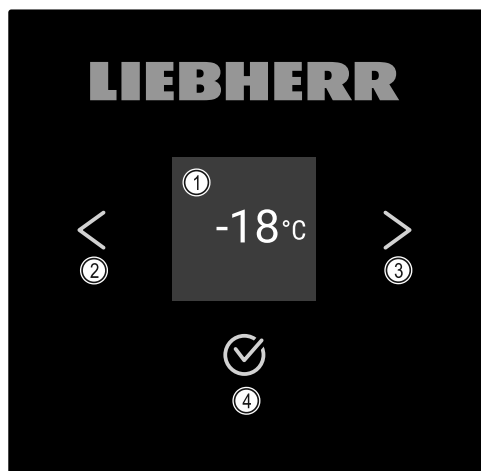


Fig. 60 Display

- (1) Status display
- (2) Backwards navigation arrow
- (3) Forward navigation arrow
- (4) Confirm

7.1.1 Status display

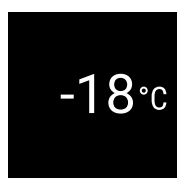


Fig. 61 Status display with temperature

The status display shows the temperature and is the home display. You navigate from here to the other functions and settings. The status display may show a range of display symbols.

7.1.2 Display symbols

Display symbols provide information about the status of the appliance.

Symbol	Appliance status
	Standby Appliance is switched off.
	Flashing standby symbol Appliance is starting up.
	Flashing temperature Target temperature not yet reached. Appliance cooling to temperature set.

Symbol	Appliance status
	Temperature display Appliance displays the set temperature.
	D in the display Appliance is in DemoMode.
	Maintenance reminder The time interval set has expired.
	Data memory full The data memory (999 hours) is full. From now, the oldest data will be overwritten.
	Flashing symbol A fault is still active.
	Error symbol Appliance is in error state.
	White bar at the bottom Submenu
	White bar at the top Default, active setting or active value
	Increasing bar Press button for 3 seconds to activate setting.
	Decreasing bar Press button for 3 seconds to deactivate setting.

Status display symbols

7.1.3 Acoustic signals

A signal sounds in the following cases:

- If a function or a value is confirmed.
- If a function or a value can either not be activated or not deactivated.
- As soon as an error occurs.
- If there is an alarm message.

The alarms can be switched on and off in the customer menu.

7.2 Appliance functions

7.2.1 Notes on the appliance functions

The appliance functions are set at the factory so that your appliance is fully functional.

Controls

Before you alter, activate or deactivate the device functions, make sure that the following requirements are met:

- ❑ You have read and understood the descriptions of how the display works. (see 4 Functionality of the Touch display)
- ❑ You have familiarised yourself with the operating and display elements of your appliance. (see 7.1 Control and display elements)

7.2.2 Switching appliance on and off



Using this setting the entire appliance can be switched on and off.

Switching on appliance

Without activated DemoMode:



Fig. 62

- ▶ Carry out action steps according to the illustration.

With activated DemoMode:

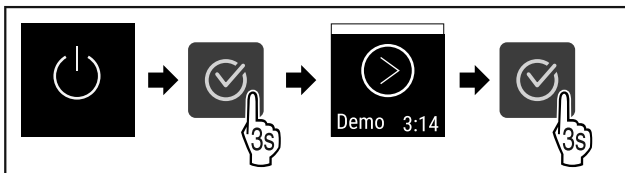


Fig. 63

- ▶ Carry out action steps according to the illustration.

Note

Deactivate DemoMode before countdown finishes.



Fig. 64

- ▶ The temperature appears in the display.

Switching off appliance

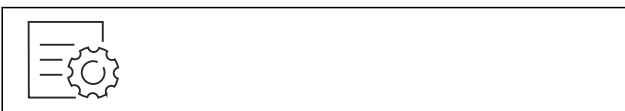


Fig. 65

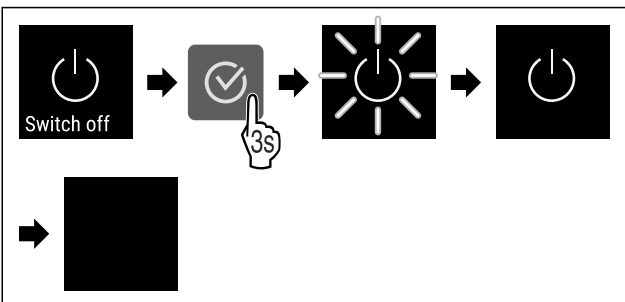


Fig. 66

- ▶ Carry out action steps according to the illustration.
- ▶ Standby symbol is shown in the display.
- ▶ Display switches off after approximately 10 minutes.



7.2.3 Temperature

The temperature depends on the following factors:

- How often the door is opened
- How long the door is open for
- The room temperature of the installation site
- The type, temperature and amount of frozen food

Note

The temperature may differ from the temperature displayed in some areas of the interior.

At the correct temperature, frozen food will keep for longer. This avoids disposing of food unnecessarily.

Setting temperature



Fig. 67

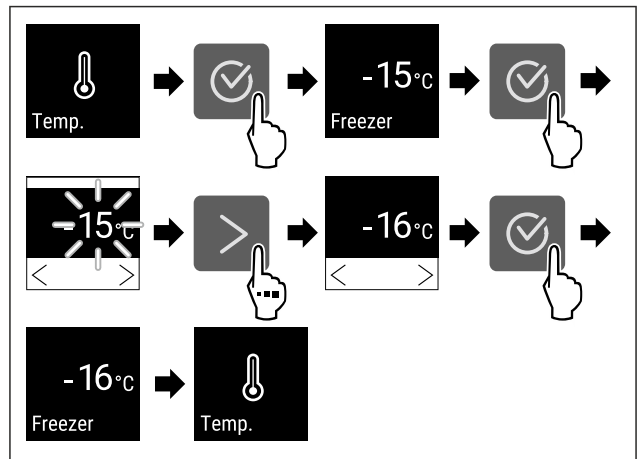


Fig. 68 Changing temperature from -15 °C to -16 °C

- ▶ Carry out action steps according to the illustration.
- ▶ Temperature is set.



7.2.4 Temperature recording

The appliance displays the minimum and maximum temperatures of the interior. The recording of these temperatures starts automatically after the appliance is switched on; they are recorded at one minute intervals. A note indicating that the data memory is full is displayed after 999 hours (approx. 40 days). The temperature recording should then be reset.

Note

We recommend resetting the temperature recording once after reaching the set temperature when the appliance is commissioned. This ensures that the value displayed for the maximum temperature is a meaningful value.

Displaying temperature recording

The temperature recording displays the length of the recording and the minimum and maximum temperatures measured during this period of time.

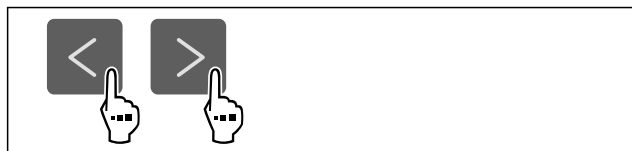


Fig. 69

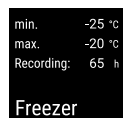


Fig. 70

- ▶ Status screen with the temperature recordings is displayed.

Resetting temperature recording

The displayed minimum and maximum temperatures can be reset at any time. This deletes the displayed values and the recording interval starts again.

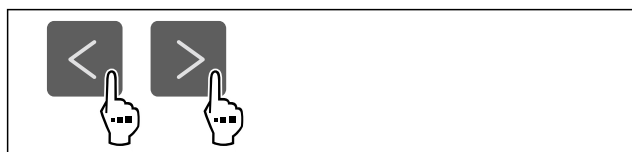


Fig. 71

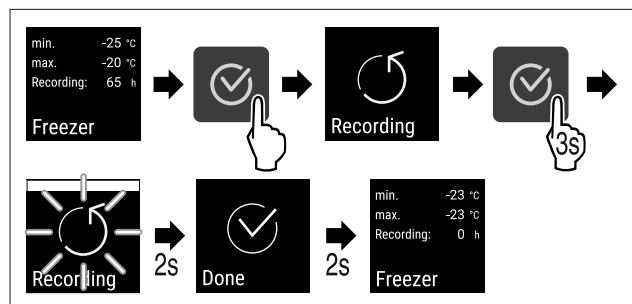


Fig. 72

- ▶ Carry out steps according to the illustration.
- ▶ Temperature recording is reset.
- ▶ Recording interval starts again.

7.2.5 SuperFrost



You can use this function to activate or deactivate SuperFrost. If SuperFrost is activated, then the appliance increases the freezing capacity. It allows you to achieve lower freezing temperatures.

Application:

- Quickly freeze fresh food through to the core. This ensures that the nutrition, appearance and taste of frozen food is maintained.
- Increase the cold reserve in stored frozen food before defrosting the appliance.

If the function is active, the appliance operates at higher power. As a result, the appliance's operating noise may be temporarily louder and energy consumption will increase.

Activating SuperFrost



Fig. 73

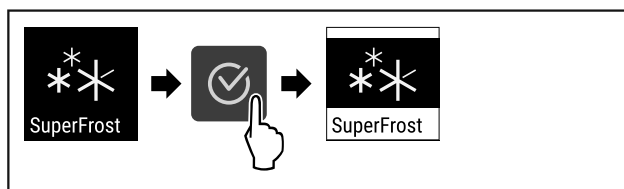


Fig. 74

- ▶ Carry out action steps according to the illustration.
- ▶ SuperFrost is activated.

Deactivating SuperFrost

SuperFrost is automatically deactivated after 8 to 65 hours depending on the quantity of the food inserted. However, you can also deactivate SuperFrost manually at any time:

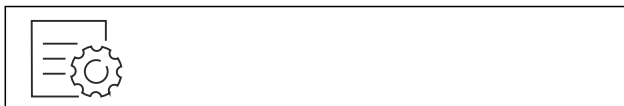


Fig. 75

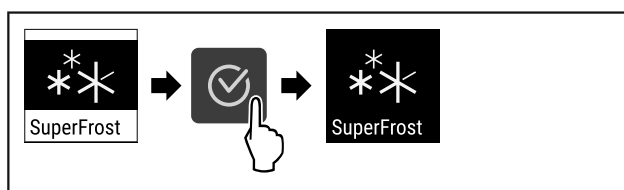


Fig. 76

- ▶ Carry out action steps according to the illustration.
- ▶ SuperFrost is deactivated.
- ▶ The appliance continues to run in normal mode.
- ▶ The appliance cools to the temperature set previously.

7.2.6 Display lock



This setting avoids accidental operation of the appliance.

Application:

- Prevent settings and functions being changed unintentionally.
- Prevent the appliance being switched off unintentionally.
- Prevent temperature being set unintentionally.

Activating display lock



Fig. 77

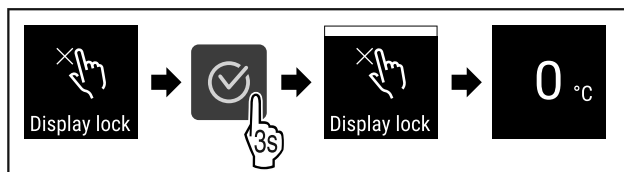


Fig. 78

- ▶ Carry out action steps according to the illustration.
- ▶ The display lock is activated.
- ▶ The status display appears.

Controls

Deactivating display lock

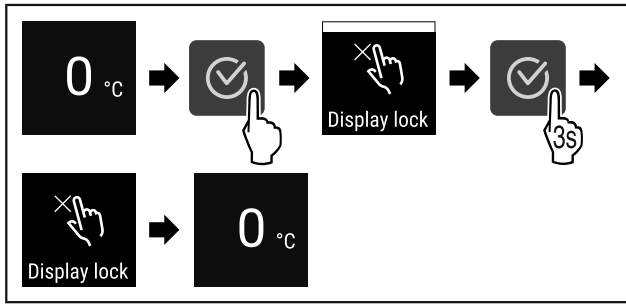


Fig. 79

- ▶ Carry out action steps according to the illustration.
- ▶ The display lock is deactivated.
- ▶ The status display appears.



7.2.7 Maintenance interval reminder

Setting for the time interval after which a maintenance reminder is issued.

The following values can be set:

- 7 days
- 14 days
- 30 days
- 60 days
- 90 days
- 180 days
- 360 days
- 720 days
- 1080 days
- Off

Setting maintenance interval reminder

The following steps describe how the maintenance interval is set.



Fig. 80

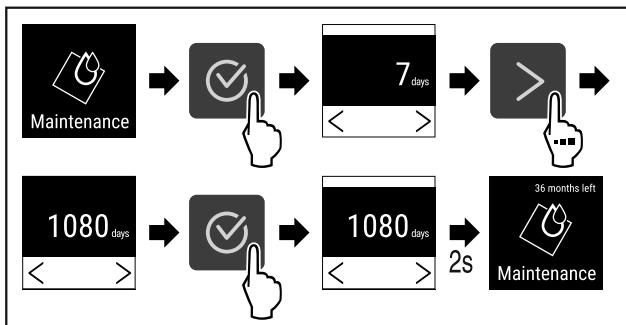


Fig. 81

- ▶ Carry out action steps according to the illustration.
- ▶ The time interval, after which the maintenance reminder is issued, is set.
- ▶ The remaining time is displayed.



7.2.8 Language

This setting allows the display language to be set.

Setting language



Fig. 82

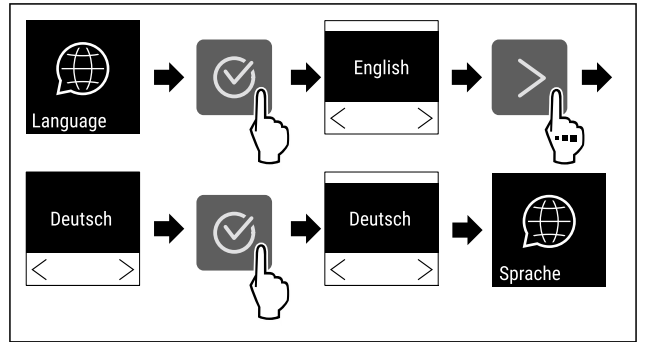


Fig. 83

- ▶ Carry out action steps according to the illustration.
- ▶ The selected language is set.



7.2.9 Temperature unit

Use this function to set the temperature unit. You can set degrees Celsius or degrees Fahrenheit as the temperature unit.

Setting the temperature unit



Fig. 84

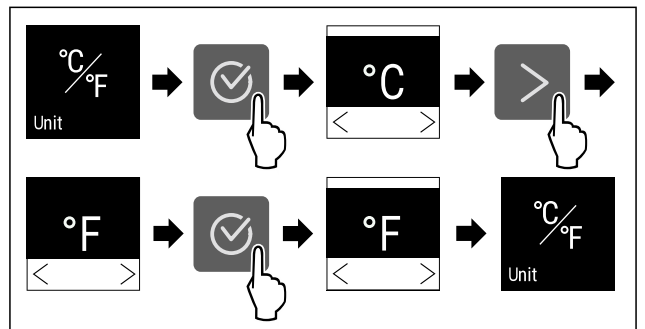


Fig. 85 Example illustration: Switch from degrees Celsius to degrees Fahrenheit.

- ▶ Carry out action steps according to the illustration.
- ▶ The temperature unit is set.



7.2.10 Display brightness

Use this function to set the display brightness in stages.

You can select the following brightness levels:

- 40 %
- 60 %
- 80 %
- 100 % (pre-setting)

Setting the brightness



Fig. 86

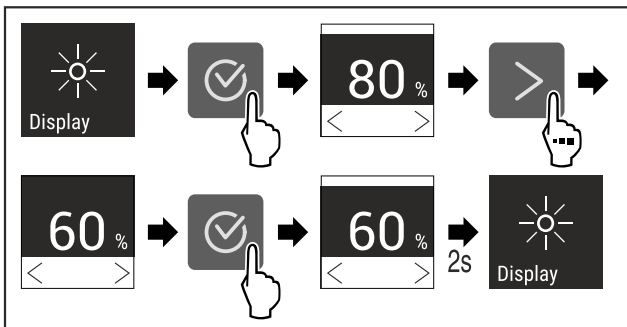


Fig. 87 Example illustration: Switch from 80 % to 60 %.

- ▶ Carry out action steps according to the illustration.
- ▶ The brightness is set.

7.2.11 WiFi connection



Note

Liebherr SmartMonitoring Dashboard is not available in all countries. Check availability via the QR code by entering your model.

Note

Use of the Liebherr SmartMonitoring Dashboard at <https://smartmonitoring.liebherr.com> requires installation of a SmartModule and a commercial MyLiebherr account. When commissioning online you can register using the login data you have, or register again and create a company account.

This setting establishes a wireless connection between the appliance and the internet. The connection is controlled via the SmartModule. The appliance can be integrated via the browser-based [Liebherr SmartMonitoring Dashboard](#) and advanced options as well as customised methods relating to control, administration and monitoring can be used.

Note

Accessories are available from Customer Service (see 10.3 Customer Service) and the Liebherr-Hausgeräte store at home.liebherr.com/shop/de/deu/zubehor.html.

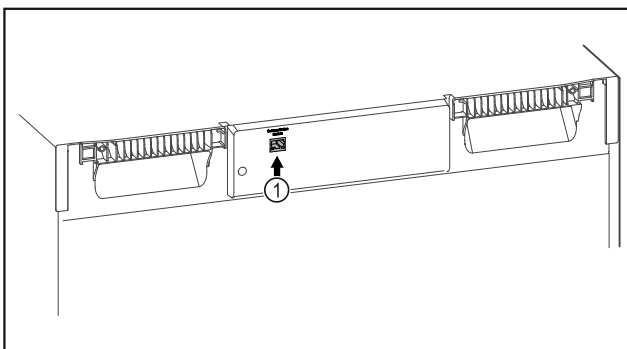


Fig. 88

Make sure that the following requirements are fulfilled:

- ☐ SmartModule Fig. 88 (1) is in use.

Establishing connection

You commission and set up your SmartModule online via the [Liebherr SmartMonitoring Dashboard](#) on your web-enabled device.

On the [Liebherr SmartMonitoring Dashboard](#), information is also available about retrofitting the SmartModule.*



Fig. 89

- ▶ Open the [Liebherr SmartMonitoring Dashboard](#) (see Fig. 89) .

On the refrigerator or freezer:



Fig. 90

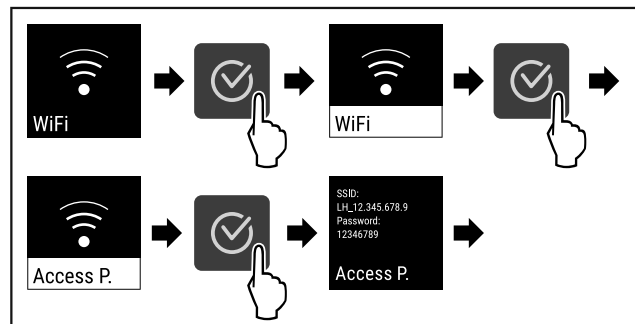


Fig. 91

- ▶ Carry out action steps according to the illustration.
- ▶ Continue the set-up procedure on your web-enabled device: [Liebherr SmartMonitoring Dashboard](#)

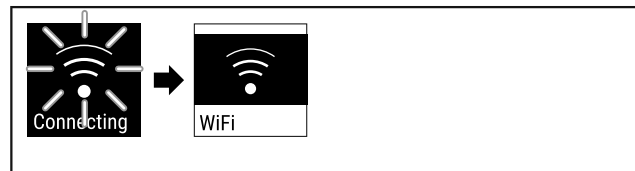


Fig. 92

- ▶ Connection is established.
- ▶ WiFi connecting appears. The symbol flashes.
- ▶ Follow the [Liebherr SmartMonitoring Dashboard](#) instructions.
- ▶ Connection is established.

Disconnecting



Fig. 93

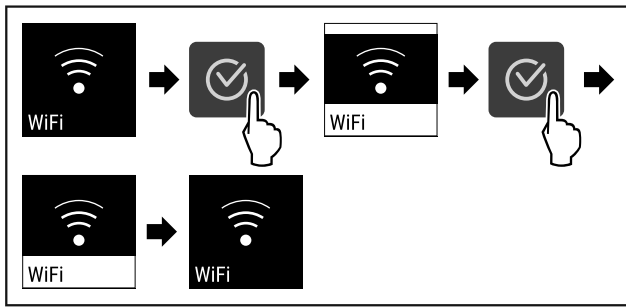


Fig. 94

- ▶ Carry out action steps according to the illustration.
- ▷ There is no connection.

Resetting connection



Fig. 95

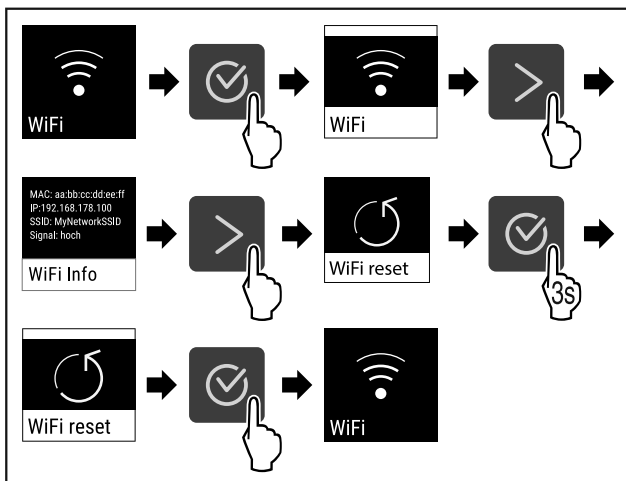


Fig. 96

- ▶ Carry out action steps according to the illustration.
- ▷ The WiFi settings are restored to the factory settings.

7.2.12 LAN connection



Note

Liebherr SmartMonitoring Dashboard is not available in all countries. Check availability via the QR code by entering your model.

Note

Use of the Liebherr SmartMonitoring Dashboard at <https://smartmonitoring.liebherr.com> requires installation of a SmartModule and a commercial MyLiebherr account. When commissioning online you can register using the login data you have, or register again and create a company account.

This setting establishes a wired connection between the appliance and the internet. The connection is controlled via the SmartModule. The appliance can be integrated via the browser-based [Liebherr SmartMonitoring Dashboard](#) and advanced options as well as customised methods relating to control, administration and monitoring can be used.

Note

Accessories are available from Customer Service (see 10.3 Customer Service) and the Liebherr-Hausgeräte store at home.liebherr.com/shop/de/deu/zubehor.html.

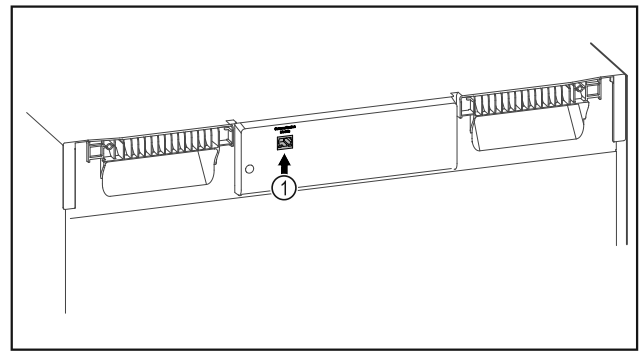


Fig. 97

Make sure that the following requirements are fulfilled:

- SmartModule Fig. 97 (1) is in use.
- A network cable is connected.
- The network is connected to the internet.

Establishing connection

You commission and set up your SmartModule online via the [Liebherr SmartMonitoring Dashboard](#) on your web-enabled device.

On the [Liebherr SmartMonitoring Dashboard](#), information is also available about retrofitting the SmartModule.*



Fig. 98

- ▶ Open the [Liebherr SmartMonitoring Dashboard](#) (see Fig. 98).

On the refrigerator or freezer:



Fig. 99

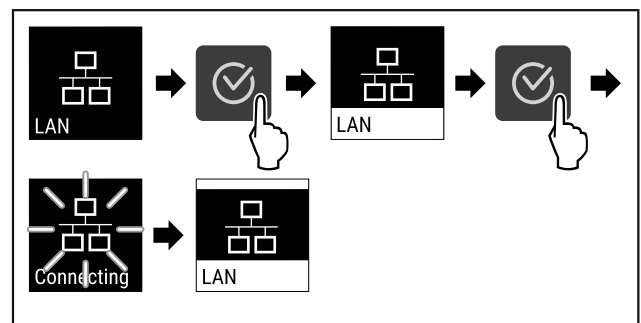


Fig. 100

- ▶ Carry out action steps according to the illustration.
- ▷ Connection is established: LAN connecting appears. The symbol flashes.
- ▶ Follow the [Liebherr SmartMonitoring Dashboard](#) instructions.
- ▷ Connection is established.

Disconnecting



Fig. 101

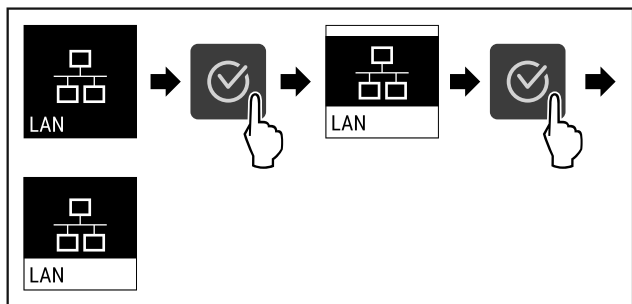


Fig. 102

- ▶ Carry out action steps according to the illustration.
- ▶ There is no connection.

7.2.13 Device information



Use this function to indicate the model name, index, serial number and service number of your device. You will need the device information when you contact customer service. (see 10.3 Customer Service)

This function also opens the Advanced menu. (see 4 Functionality of the Touch display)

Indicating the device information

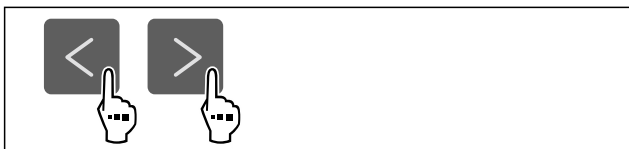


Fig. 103

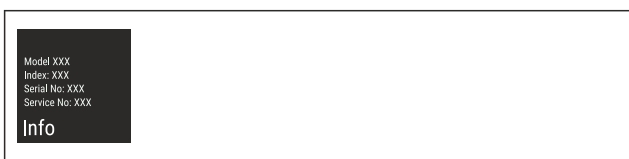


Fig. 104

- ▶ Carry out action steps according to the illustration.
- ▶ Display indicates device information.

7.2.14 Operating hours



The display shows the appliance operating hours.

Displaying operating hours



Fig. 105



Fig. 106

- ▶ The operating hours appear.

7.2.15 Software



Use this function to indicate the software version of your device.

Indicating the software version



Fig. 107

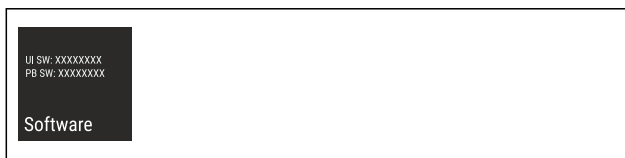


Fig. 108

- ▶ Carry out action steps according to the illustration.
- ▶ Display indicates software version.

7.2.16 Door alarm



Use this function to activate or deactivate the door alarm. The door alarm sounds if the door is open for too long. The door alarm is activated on delivery. You can set how long the door may be open before the door alarm sounds.

The following values can be set:

- 15 seconds
- 30 seconds
- 60 seconds
- 90 seconds
- 120 seconds
- 150 seconds
- 180 seconds
- Off

Setting the door alarm

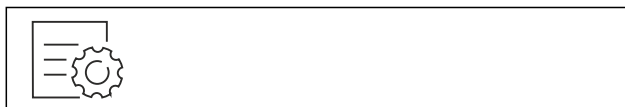


Fig. 109

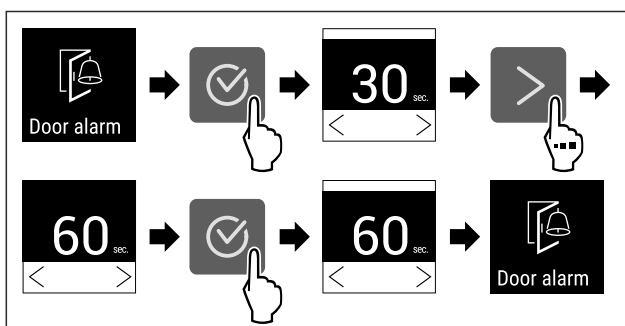


Fig. 111 Example illustration: Switch door alarm from 30 seconds to 60 seconds.

- ▶ Carry out action steps according to the illustration.
- ▶ The door alarm is set.

Controls

Deactivating the door alarm



Fig. 112

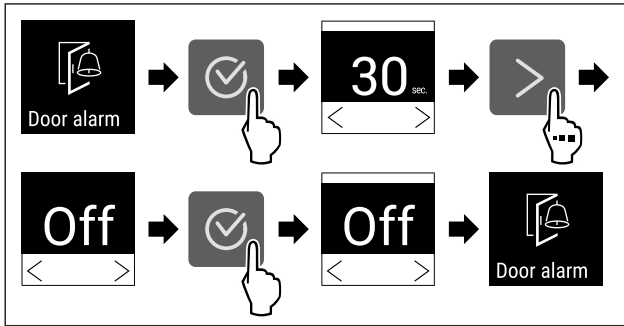


Fig. 113

- ▶ Carry out action steps according to the illustration.
- ▷ The door alarm is deactivated.



7.2.17 Light alarm

This setting allows the visual alarm messages in the display to also be emphasised by flashing appliance lighting.

Activating light alarm

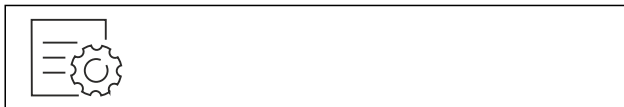


Fig. 114

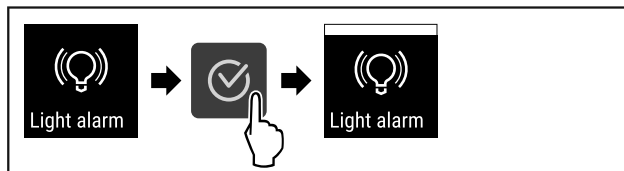


Fig. 115

- ▶ Carry out action steps according to the illustration.
- ▷ The light alarm is activated.

Deactivating light alarm



Fig. 116

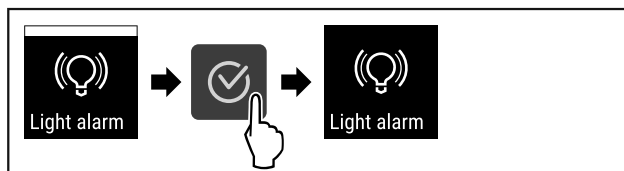


Fig. 117

- ▶ Carry out action steps according to the illustration.
- ▷ The light alarm is activated.



7.2.18 Demo mode

Demo mode is a special feature for dealers who want to demonstrate appliance features. If you activate demo mode, all refrigeration functions are deactivated.

If you switch on your appliance and a “D” appears on the status display, demo mode is already activated.

If you activate and then deactivate demo mode, the appliance will be reset to factory defaults. (see 7.2.19 Resetting to factory settings)

Activating demo mode



Fig. 118

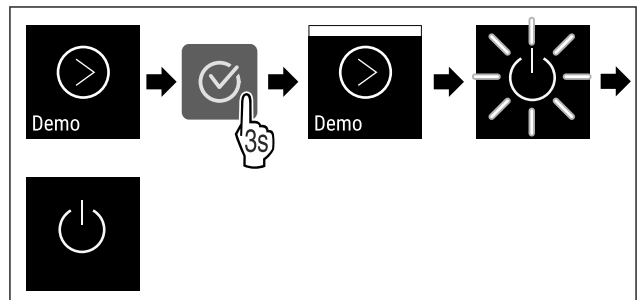


Fig. 119

- ▶ Carry out action steps according to the illustration.
- ▷ Demo mode is activated.
- ▷ Appliance is switched off.
- ▶ Switch on the appliance. (see 5.1 Switching on appliance (first use))
- ▷ “D” appears in the status display.

Deactivating demo mode



Fig. 120

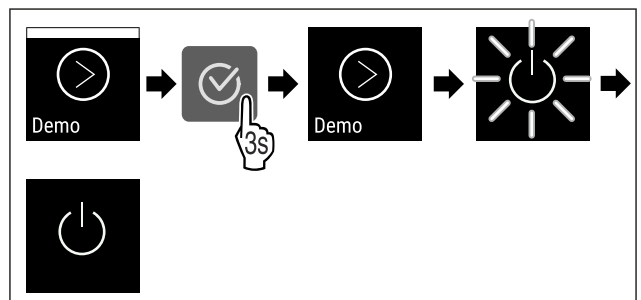


Fig. 121

- ▶ Carry out action steps according to the illustration.
- ▷ Demo mode is deactivated.
- ▷ Appliance is switched off.
- ▶ Switch on the appliance. (see 5.1 Switching on appliance (first use))
- ▷ Appliance is reset to factory settings.

7.2.19 Resetting to factory settings



Use this function to reset all settings to factory defaults. All settings you have made so far are reset to their original settings.

Performing a reset

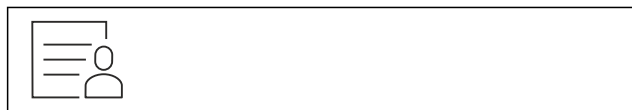


Fig. 122

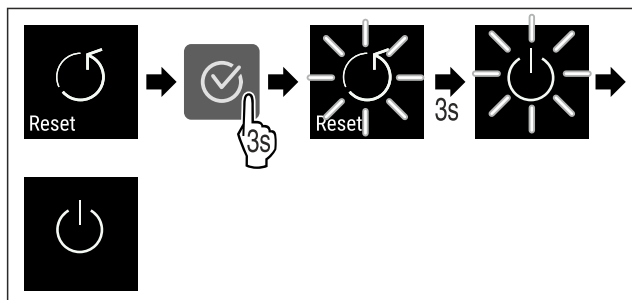


Fig. 123

- ▶ Carry out action steps according to the illustration.
- ▶ Device is reset.
- ▶ Device is switched off.
- ▶ Restart the device. (see 5.1 Switching on appliance (first use))

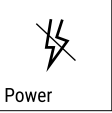






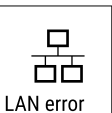

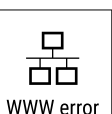

7.3 Messages

7.3.1 Warnings

Warnings are issued by means of an audio signal and visually via a symbol on the display. The signal gets louder until the warning is acknowledged.



Message	Cause	Remedy
<p>Door open</p> <p>Door open</p>	<p>This message appears if the door is open for too long.</p>	<p>Close the door.</p> <p>Press the confirmation button.</p> <p>Alarm is ended.</p> <p>Note</p> <p>You can set how long it takes for this message to appear (see 7.2.16 Door alarm).</p>
<p>Temperature</p> <p>Temperature alarm</p>	<p>This message appears if the temperature does not match the set temperature. Reasons for the differences in temperature can be:</p> <ul style="list-style-type: none"> - Warm items for refrigeration have been placed inside. - Too much warm room air flowed in when rearranging and removing refrigerated products. <p>The power was cut off for a prolonged period.</p>	<p>Press the confirmation button.</p> <p>Warmest temperature is displayed.</p> <p>Press the confirmation button.</p> <p>The current temperature flashes and the display alternates with the temperature alarm symbol until the set temperature is reached.</p> <p>Check the quality of the refrigerated goods.</p>
<p>Error</p> <p>Error</p>	<p>The appliance is defective, there is an appliance fault or a component of the appliance is faulty.</p>	<p>Transfer refrigerated goods.</p> <p>Press the confirmation button.</p> <p>Error code is displayed.</p> <p>Press the confirmation button.</p> <p>If present, another error code is indicated.</p> <p>or</p> <p>Status screen with flashing error symbol is displayed</p> <p>Pressing the navigation buttons indicates error code(s) again.</p> <p>Note the error code(s) and contact customer service.</p>



Controls

Message	Cause	Remedy
 <p>Power</p> <p>Power failure</p>	<p>The message appears after an interruption in the power supply if the temperature is above the alarm limit when the power returns.</p>	<p>Press the confirmation button. The warmest temperature is displayed.</p>  <p>Press the confirmation button. Alarm is cancelled and current temperature is indicated. Check the quality of the refrigerated goods.</p> 
 <p>WiFi error *</p> <p>WLAN error*</p>	<p>WLAN connection is interrupted.*</p>	<p>Check the connection.* Press the confirmation button.* Alarm is ended.*</p> 
 <p>WWW error *</p> <p>WLAN WWW error*</p>	<p>The message appears if there is no Internet connection via WLAN.*</p>	<p>Check the connection.* Press the confirmation button.* Alarm is ended.*</p> 
 <p>LAN error *</p> <p>LAN error*</p>	<p>LAN connection is interrupted.*</p>	<p>Check connection and network cable.* Press the confirmation button.* Alarm is ended.*</p> 
 <p>WWW error *</p> <p>LAN WWW error*</p>	<p>The message appears if there is no Internet connection via LAN.*</p>	<p>Check the connection.* Press the confirmation button.* Alarm is ended.*</p> 

7.3.2 Reminder

Reminders appear when you are being asked to do something. They are issued by means of an audio signal and visually via a symbol on the display. Acknowledge the message by pressing the confirmation button.

Message	Cause	Remedy
 <p>Maintenance</p> <p>Maintenance reminder</p>	<p>The message appears when the timer for the set maintenance interval has expired.</p>	 <p>Press the confirmation button. Alarm is ended.</p> <p>Note The maintenance interval can be set (see 7.2.7 Maintenance interval reminder).</p>

Message	Cause	Remedy
 <p>Recording reminder</p>	<p>This message appears when the temperature recording memory (999 hours) is full.</p>	 <p>Press the confirmation button. Alarm is ended. The oldest data is overwritten.</p> <p>Note The temperature recording can be reset (see 7.2.4 Temperature recording).</p>

8 Features

8.1 Safety lock

The lock in the appliance door is equipped with a safety mechanism.

8.1.1 Locking appliance

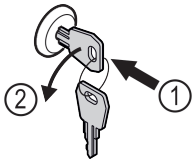


Fig. 124 Example illustration

- ▶ Insert key.
- ▶ Turn key anticlockwise by 90°.
- ▶ The appliance is locked.

8.1.2 Unlocking appliance

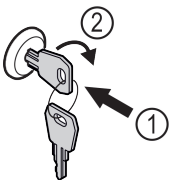


Fig. 125 Example illustration

- ▶ Insert key Fig. 125 (1).
- ▶ Turn key clockwise by 90° Fig. 125 (2).
- ▶ The appliance is unlocked.

9 Maintenance

9.1 Defrosting appliance



WARNING

Improper defrosting of the appliance!
Injuries and damage.

- ▶ Do not use mechanical equipment or other methods to speed up the defrosting process other than those recommended by the manufacturer.
- ▶ Do not use electrical heating or steam-cleaning appliances, naked flames or defroster sprays to defrost.
- ▶ Do not use sharp objects to remove ice.

To maintain the functionality of the appliance, we recommend defrosting it when there is a high buildup of ice. Icing in the interior is determined by the location (e.g. high humidity), settings on the appliance and incorrect user behaviour.

If automatic defrosting is insufficient, defrost the appliance manually:

- ▶ Switch off appliance. (see 7.2.2 Switching appliance on and off)
- ▶ Pull out mains plug.
- ▶ Store refrigerated items elsewhere.
- ▶ Leave appliance door open during defrosting process.
- ▶ Absorb any remaining defrost water with a cloth and clean the appliance.

9.2 Cleaning the appliance

9.2.1 Preparing



WARNING

Short-circuit hazard due to live parts!
Electric shock or damage to the electronics.

- ▶ **Switch off the appliance.**
- ▶ Pull out mains plug or switch off fuse.



WARNING

Risk of fire

- ▶ Do not damage the refrigeration circuit.

- ▶ Empty the appliance.
- ▶ Pull out the mains plug.
- ▶ Observe the notes on transporting the appliance. (see 3.3 Transporting the appliance)

9.2.2 Cleaning housing

NOTICE

Improper cleaning!

Damage to the appliance.

- ▶ Only use soft cleaning cloths and ph-neutral all-purpose cleaners.
- ▶ Do not use abrasive sponges or steel wool which may cause scratches.
- ▶ Do not use any sharp or abrasive cleaning agents, nor any that contain sand, chloride or acid.



WARNING

Risk of injury and damage as a result of hot steam!

Hot steam can lead to burns and can damage the surfaces.

- ▶ Do not use any steam cleaners!

NOTICE

Risk of damage due to short circuit.

- ▶ When cleaning the appliance, make sure no water gets into the electrical components.

Customer help

- ▶ Wipe the housing down with soft, clean cloth. If very dirty, use lukewarm water with a neutral cleaner. Glass surfaces can also be cleaned with glass cleaner.
- ▶ Clean condenser coil each year. If the condenser coil is not cleaned, this significantly reduces the efficiency of the appliance.

9.2.3 Cleaning interior



WARNING

Short-circuit hazard due to live parts!
Electric shock or damage to the electronics.

- ▶ **Switch off the appliance.**
- ▶ Pull out mains plug or switch off fuse.



WARNING

Risk of injury and damage as a result of hot steam!
Hot steam can lead to burns and can damage the surfaces.

- ▶ Do not use any steam cleaners!

NOTICE

Improper cleaning!
Damage to the appliance.

- ▶ Only use soft cleaning cloths and ph-neutral all-purpose cleaners.
- ▶ Do not use abrasive sponges or steel wool which may cause scratches.
- ▶ Do not use any sharp or abrasive cleaning agents, nor any that contain sand, chloride or acid.

Note

Do not damage or remove the type plate on the inside of the appliance. The type plate is important for Customer Service. (see 10.3 Customer Service)

- ▶ Open the door.
- ▶ Empty the appliance.
- ▶ Clean interior and equipment parts with lukewarm water and a little detergent. Do not use any gritty or acidic cleaning agent or any chemical solvent.

9.2.4 After cleaning

- ▶ Wipe appliance and equipment parts dry.
- ▶ Connect and switch on appliance.
Once the temperature is sufficiently cold:
- ▶ put in items for refrigeration goods.
- ▶ Repeat cleaning regularly.
- ▶ Clean and remove dust from the refrigeration unit with heat exchanger once a year.

Defect	Cause	Remedy
The appliance is not working.	→ The appliance is not switched on.	▶ Switch on the appliance.
	→ The mains plug is not properly plugged into the socket.	▶ Check the mains plug.
	→ There is something wrong with the fuse in the socket.	▶ Check fuse.
	→ Power cut	▶ Keep the appliance closed. ▶ Protect food: Lay cold storage accumulator on top of the food or use another freezer if the power is off for a prolonged period. ▶ Do not re-freeze defrosted food.

10 Customer help

10.1 Technical specifications

Temperature range	
Freezing	-9 °C to -26 °C

Maximum load per shelf ^{A)}			
Appliance width	550 mm	600 mm	750 mm
Grid shelves	--	45 kg	60 kg
Glass shelf	40 kg	40 kg	40 kg
Drawer (freezer appliances)	15 kg	15 kg	15 kg
BFF..		30 kg	

A) Heavier loads may result in a slight bending of the shelves.

Net capacity
See net capacity on the type plate. (see 2.2 Overview of appliance and equipment)

Lighting*	
Energy efficiency class ^{A)} *	Light source*
This product contains one or more energy efficiency class F light sources	LED

A) The appliance may contain light sources with different energy efficiency classes. The lowest energy efficiency class is indicated.

10.2 Technical fault

Your appliance is designed and built to ensure it works reliably and has a long service life. In the unlikely event that a fault occurs during operation, please check whether the fault is due to an operating error. If this is the case, you will be charged for the cost incurred even if this falls within the warranty period.

You can fix the following faults yourself.

10.2.1 Appliance function

Defect	Cause	Remedy
	→ The IEC socket is not plugged into the appliance correctly.	▶ Check the IEC socket.
Temperature is not cold enough.	→ The appliance door is not closed properly.	▶ Close appliance door.
	→ Ventilation is not sufficient.	▶ Clear ventilation grille and clean it.
	→ The ambient temperature is too high.	▶ Ensure the correct ambient conditions: (see 2.4 Range of use of appliance)
	→ The appliance was opened too many times or for too long.	▶ Wait to see if the appliance goes back to the required temperature by itself. If not, contact Customer Service. (see 10.3 Customer Service)
	→ The temperature is set incorrectly.	▶ Set a colder temperature and check after 24 hours.
	→ The appliance is too close to a heat source (oven, radiator, etc).	▶ Change where the appliance or the heat source are located.
Frost formation on the housing frame and/or on the inside of the door.	→ Door seal is damaged.	▶ Replace the door seal.
	→ You have set the temperature too cold or you have not opened the door often enough.	▶ The appliance is not malfunctioning; simply remove any condensation with a cloth.

10.3 Customer Service

First check whether you can remedy the fault yourself . If this is not the case, please contact Customer Service.

You can find the address in the enclosed brochure "Liebherr-Service" or at home.liebherr.com/service.



WARNING

Unprofessional repair!
Injuries.

- ▶ Have any repairs and action - not expressly specified - on the appliance and mains cable carried out by service personnel only. (see 9 Maintenance)
- ▶ A damaged mains cable may only be replaced by the manufacturer, the manufacturer's Customer Service or a similarly qualified person.
- ▶ In the case of appliances with an IEC connector, the change may be made by the customer.

10.3.1 Contacting Customer Service

Make sure you have the following appliance data at the ready:

- Appliance name (model and index)
- Service no. (Service)
- Serial no. (S no.)

▶ Access the appliance information via the display (see 7.2.13 Device information).

-or-

- ▶ Refer to the type plate for appliance information. (see 10.4 Type plate)
- ▶ Note down appliance information.
- ▶ Inform Customer Service: Report faults and the appliance information.
- ▶ This will help us to provide a fast and focussed service.
- ▶ Follow any further instructions provided by Customer Service.

10.4 Type plate

The type plate is inside the appliance. See appliance overview.

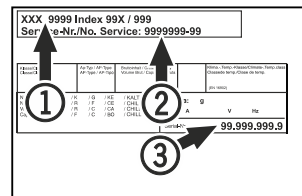


Fig. 126

- (1) Appliance designation
- (2) Service No.
- (3) Serial No.

11 Shutting down

- ▶ Empty the appliance.
- ▶ Switch off the appliance.
- ▶ Pull the mains plug out of the socket.
- ▶ Remove the IEC socket if required: Pull the IEC socket out of the appliance plug and move it to the left and right at the same time.
- ▶ Clean appliance (see 9.2 Cleaning the appliance) .
- ▶ If present: Remove the covers and insulation from the sensor feed-through to prevent mould forming.
- ▶ Leave the door open so that no bad odours form.

Note

Damage to the appliance and malfunctions!

- ▶ After shutting down, only store the appliance at the permitted room temperature of between -10 °C and +50 °C.

12 Disposal

12.1 Preparing appliance for disposal



Liebherr uses batteries in some of its appliances. In the EU, for environmental reasons, legislation obliges the end user to remove these batteries before disposing of old appliances. If your appliance contains batteries, a corresponding notice is attached.

Lamps If you can remove the lamps yourself without destroying them, also remove these before disposal.

- ▶ Take the appliance out of operation.
- ▶ If possible: remove lamps without destroying them.

12.2 Disposing of the appliance in an environmentally friendly manner



The appliance still contains valuable materials and must be disposed of separately from unsorted municipal waste.



Li-Ion

Dispose of batteries separately from the old appliance. To do this, you can return the batteries free of charge to retailers as well as recycling centres and collection centres for recyclable materials.

Lamps Dispose of removed lamps via the respective collection systems.

For Germany: You can dispose of the appliance free of charge via the class 1 collection containers at the local recycling and recyclable material collection centres. When purchasing a new fridge/freezer, if the sales area > 400 m², retailers will also take back the old appliance free of charge.



WARNING

Leaking coolant and oil!

Fire. The coolant contained in the appliance is eco-friendly, but also flammable. The oil contained in the appliance is flammable. Escaping coolant and oil can ignite if the concentration is high enough and in contact with an external heat source.

- ▶ Do not damage the pipelines of the coolant circuit and the compressor.

- ▶ Observe the notes on transporting the appliance. (see 3.3 Transporting the appliance)
- ▶ Transport the appliance without damaging it.
- ▶ Dispose of batteries, lamps and the appliance according to the above specifications.

13 Additional information

Further information on warranty conditions can be found in the enclosed service brochure or on the Internet at <https://home.liebherr.com>.





home.liebherr.com/fridge-manuals

EN Freezer
ORIGINAL OPERATOR'S MANUAL

Issue date: 20251003

Part number index: 7080764-00

Liebherr-Hausgeräte GmbH
Memminger Straße 77-79
88416 Ochsenhausen
Deutschland

