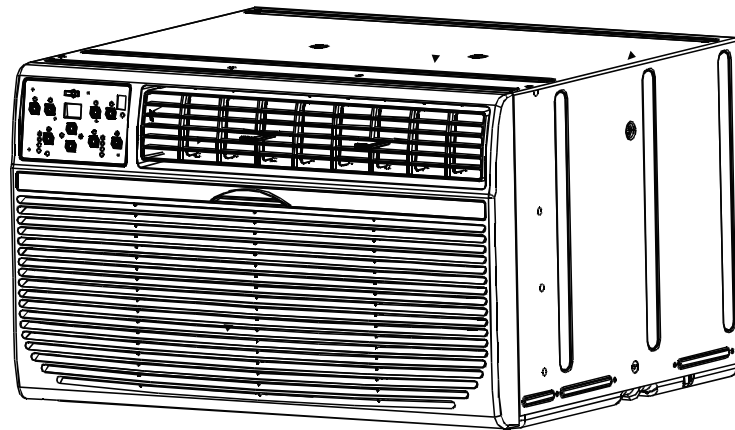


# Keystone®

WALL TYPE ROOM AIR CONDITIONER

## Owner's Manual

EN



Model: KSTAT08-1E KSTAT14-2D  
KSTAT10-1E KSTAT08-1HD  
KSTAT10-2E KSTAT10-2HD  
KSTAT12-1E KSTAT12-2HD  
KSTAT12-2E KSTAT14-2HD

### IMPORTANT NOTE:



Before using your air conditioner, please read this manual carefully and keep it for future reference.

TTW Series

✉ [keystonecs@keystone-products.com](mailto:keystonecs@keystone-products.com) | ☎ 800-849-1112





## Register your product today!

Congratulations on your new Keystone product! Please take a few minutes and follow the link or scan the QR code below to register your product so that we can activate warranties, send product updates, recommendations, help troubleshoot issues, offer maintenance advice, and communicate any product recalls or safety warnings in the event of one.

<https://keystone-products.com/register-your-product>



---

## Warranty Information

Your product is protected by this warranty:

Your appliance is warranted by Midea. Any obligations for services and parts under this warranty must be performed by Midea Consumer Services or an authorized Midea servicer.



To contact a Customer Service Representative  
Call Midea TOLL FREE

**1-866-646-4332**



# CONTENTS

Safety precautions .....	01
<b>Installation instructions</b>	
What is in the box .....	06
Before you get start .....	07
Install your product. ....	10
<b>Operation instructions</b>	
Get to know your AC. ....	22
Get to know the features. ....	23
Cleaning & Maintenance .....	27
Troubleshooting .....	28

# Safety Precautions

**Must read the warning message.**

Inside you will find many helpful hints on how to use and maintain your air conditioner properly. Just a little preventive care on your part can save you a great deal of time and money over the life of your air conditioner. You'll find many answers to common problems in the chart of troubleshooting tips. If you review our chart of Troubleshooting Tips first, you may not need to call for service at all.

To prevent injury to the user or other people and property damage, the following instructions must be followed. Incorrect operation due to ignoring of instructions may cause harm or damage. The seriousness is classified by the following indications.

## Explanation of Symbols



### **WARNING**

The signal word indicates a hazard with a medium level of risk which, if not avoided, may result in death or serious injury.



### **CAUTION**

The signal word indicates a hazard with a low degree of risk which, if not avoided, may result in minor or moderate injury.



### **NEVER DO THIS**

This signal indicates the prompt operation is prohibited., if not avoided, may result in Product damaged or injury.



### **ALWAYS DO THIS**

This signal means that the operation can be performed.

## WARNING

- Plug in power plug properly. Otherwise, it may cause electric shock or fire due to excess heat generation. Do not operate or stop the unit by inserting or pulling out the power plug. It may cause electric shock or fire due to heat generation. Do not damage or use an unspecified power cord. It may cause electric shock or fire. If the power cord is damaged, it must be replaced by the manufacturer or an authorised service centre or a similarly qualified person in order to avoid a hazard.
- Always install circuit breaker and a dedicated power circuit. Incorrect installation may cause fire and electric shock. Do not operate with wet hands or in damp environment. It may cause electric shock. Do not direct airflow at room occupants only. This could damage your health.
- Always ensure effective grounding. Incorrect grounding may cause electric shock. Do not allow water to run into electric parts. It may cause failure of machine or electric shock. Do not modify power cord length or share the outlet with other appliances. It may cause electric shock or fire due to heat generation.
- Unplug the unit if strange sounds, smell, or smoke comes from it. It may cause fire and electric shock. Do not use the socket if it is loose or damaged. It may cause fire and electric shock. Do not open the unit during operation. It may cause electric shock.
- Keep firearms away. It may cause fire. Do not use the power cord close to heating appliances. It may cause fire and electric shock. Do not use the power cord near flammable gas or combustibles, such as gasoline, benzene, thinner, etc. It may cause an explosion or fire.
- Ventilate room before operating air conditioner if there is a gas leakage from another appliance. It may cause explosion, fire and, burns. Do not disassemble or modify unit. It may cause failure and electric shock.

## CAUTION

- When the air filter is to be removed, do not touch the metal parts of the unit. It may cause an injury. Ventilate the room well when used together with a stove, etc. An oxygen shortage may occur.
- Do not use strong detergent such as wax or thinner but use a soft cloth. Appearance may be deteriorated due to change of product color or scratching of its surface. Do not clean the air conditioner with water. Water may enter the unit and degrade the insulation. It may cause an electric shock. Do not use for special purposes. Do not use this air conditioner to preserve precision devices, food, pets, plants, and art objects. It may cause deterioration of quality, etc.
- Stop operation and close the window in storm or hurricane. Operation with windows opened may cause wetting of indoor and soaking of household furniture. When the unit is to be cleaned, turn off the unit and unplug the power cord.
- Do not clean unit when power is on as it may cause fire and electric shock, it may cause an injury.
- Always insert the filters securely. It can be caused failure if operated without filters. Please clean filter once every two weeks.

## CAUTION

- Hold the plug by the head of the power plug when taking it out. It may cause electric shock and damage. Turn off the main power switch when not using the unit for a long time. It may cause failure of product or fire.
- Do not place obstacles around air-inlets or inside of air-outlet. It may cause failure of appliance or accident. Do not place heavy object on the power cord and ensure that the cord is not compressed. There is danger of fire or electric shock. Don't drink water drained from air conditioner. It contains contaminants and could make you sick.
- Use caution when unpacking and installing. Sharp edges could cause injury.
- If water enters the unit, turn the unit off at the power outlet and switch off the circuit breaker. Isolate supply by taking the power-plug out and contact a qualified service technician.
- This appliance is not intended for use by persons(including children) with reduced physical, sensory or mental capabilities or lack of experience and knowledge, unless they have been given supervision or instruction concerning use of the appliance by a person responsible for their safety.
- Children should be supervised to ensure that they do not play with the appliance.
- If the supply cord is damaged, it must be replaced by the manufacturer, its service agent or similarly qualified persons in order to avoid a hazard.
- The appliance shall be installed in accordance with national wiring regulations.
- Installation must be performed in accordance with the requirement of NEC and CEC by authorized personnel only.
- Do not operate your air conditioner in a wet room such as a bathroom or laundry room.
- The appliance with electric heater shall have at least 1 meter space to the combustible materials.
- Contact the authorised service technician for repair or maintenance of this unit.
- Contact the authorised installer for installation of this unit.

## NOTE

This air conditioner is designed to be operated under the following conditions:

Cooling operation	Outdoor temp:	64-109°F/18-43°C (64-125°F/18-52°C for special tropical models)
	Indoor temp:	62-90°F/17-32°C
Heating operation	Outdoor temp:	23-76°F/-5-24°C
	Indoor temp:	32-80°F/0-27°C

**Note:**Performance may be reduced outside of these operating temperatures.

## Operation of Current Device

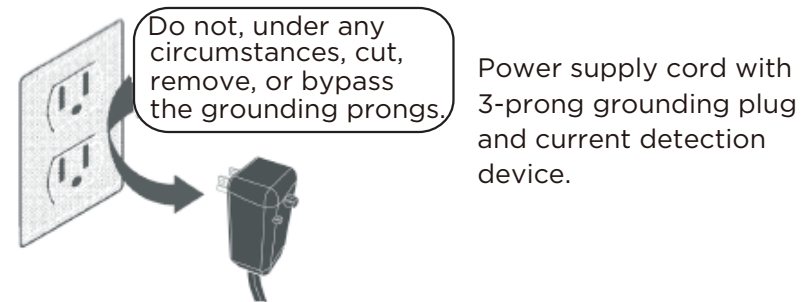
The power supply cord contains a current device that senses damage to the power cord. To test your power supply cord do the following:

- Plug in the Air Conditioner.
- The power supply cord will have TWO buttons on the plug head. Press the TEST button, you will notice a click as the RESET button pops out.
- Press the RESET button again, you will notice a click as the button engages.
- The power supply cord is now supplying electricity to the unit. (On some products this is also indicated by a light on the plug head).

### NOTE

- The power supply cord with this air conditioner contains a current detection device designed to reduce the risk of fire.  
In the event that the power cord is damaged, it cannot be repaired – it must be replaced with a cord from the product manufacturer.
- Do not use this device to turn the unit on or off.
- Always make sure the RESET button is pushed in for correct operation.
- The power supply cord must be replaced if it fails to reset when either the TEST button is pushed or if it cannot be reset. A new one can be obtained from the product manufacturer.

### Grounding type wall receptacle



### WARNING

#### Electrical Information

The complete electrical rating of your new room air conditioner is stated on the serial plate. Refer to the rating when checking the electrical requirements.

- Be sure the air conditioner is properly grounded. To minimize shock and fire hazards, proper grounding is mandatory. The power cord is equipped with a three-prong grounding plug for protection against shock hazards.
- Your air conditioner must be used in a properly grounded wall receptacle. If the wall receptacle you intend to use is not adequately grounded or protected by a time delay fuse or circuit breaker, have a qualified electrician install the proper receptacle. Ensure the receptacle is accessible after the unit installation.
- Do not run air conditioner without side protective cover in place. This could result in mechanical damage within the air conditioner.
- Do not use an extension cord or an adapter plug.

## WARNING

Avoid fire hazard or electric shock. Do not use an extension cord or an adapter plug. Do not remove any prongs from the power cord.

### For Your Safety

Do not store or use gasoline or other flammable vapors and liquids in the vicinity of this or any other appliance.

### Prevent Accidents

To reduce the risk of fire, electrical shock, or injury to persons when using your air conditioner, follow basic precautions, including the following:

- Be sure the electrical service is adequate for the model you have chosen. This information can be found on the serial plate, which is located on the side of the the cabinet and behind the grille.

- Be sure the air conditioner has been securely and correctly installed according to the installation instructions in this manual. Save this manual for possible future use in removing or installing this unit. When handling the air conditioner, be careful to avoid cuts from sharp metal fins on front and rear coils.

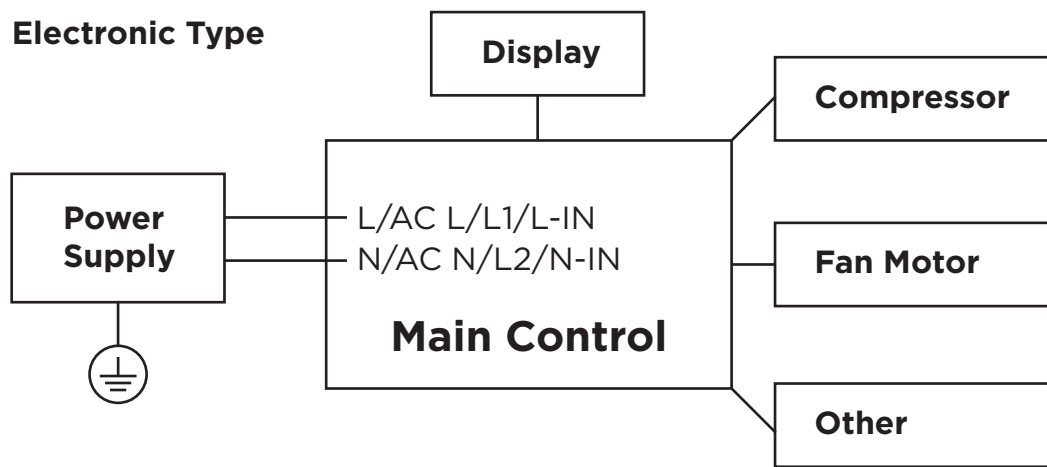
## Electronic Work



### WARNING:

BEFORE PERFORMING ANY ELECTRICAL OR WIRING WORK, TURN OFF THE MAIN POWER TO THE SYSTEM.

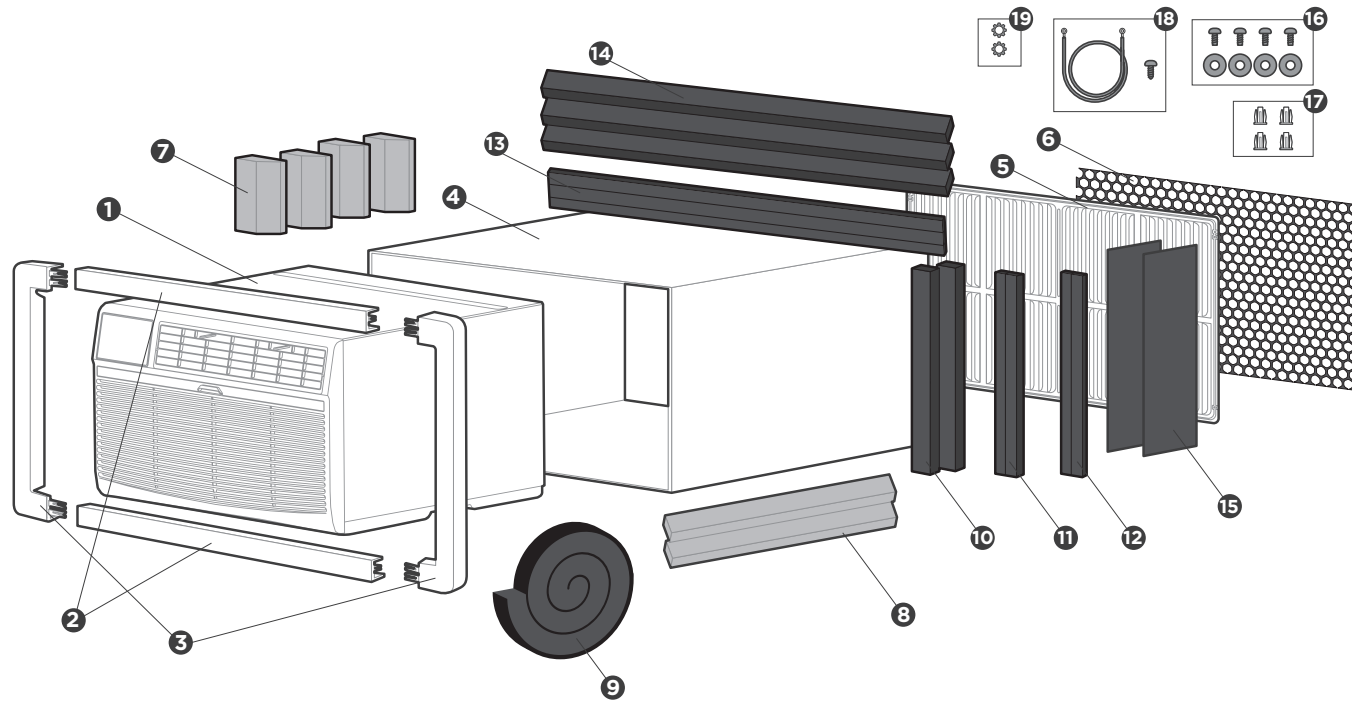
### Electronic Type



**NOTE:** Please strictly follow the wiring label attached to the machine for all wiring connections. The wiring diagram may vary for different unit. Please refer to the wiring diagram on the machine you have purchased. The above wiring diagram is a simplified version for preliminary illustration purposes only.

# What is in the Box.

## Package content



- ❶ Air Conditioner Unit
- ❷ Trim Frame (top & bottom legs)\*2
- ❸ Trim Frame (side legs)\*2
- ❹ Wall Sleeve (purchase separately)
- ❺ Aluminum Grille
- ❻ Plastic Grille (1/8"x4-1/2"x14-1/2")
- ❼ Centering/Support Blocks(Blue)\*4 (4-1/2"x3-1/2"x1-1/2")
- ❽ Tapered Spacer Block(Blue)\*2 (7/8"x1-1/8"x17")
- ❾ Stuffer-seal\*1 (1"x1-1/2"x84")
- ❿ Seal\*2 (1"x1-1/2"x14")
- ⓫ Seal\*2 (1"x3/4"x14")
- ⓬ Seal\*2 (1"x3/8"x14")
- ⓭ Seal\*2 (1"x3/8"x25")
- ⓮ Seal\*3 (1"x1-1/2"x25")
- ⓯ Plastic Divider\*2 (1/8"x4-1/2"x14-1/2")
- ⓰ Screw\*4 and Screw Washer\*4
- ⓱ Nuts(plastic)\*4
- ⓲ Ground Wire and Grounding Screw
- ⓳ Toothed Washer for Grounding Screw

### Prepare the following tools



Gloves



Screwdriver



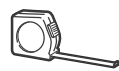
Pencil



Scissors&Knife



Drill



Ruler or tape measure



Level

\*Not Included

### ⚠ CAUTION

- Do not, under any circumstances, cut or remove the third (ground) prong from the power cord.
- Do not change the plug on the power cord of the air conditioner.
- Aluminum house wiring may present special problems- consult a qualified electrician.
- When handling unit, be careful to avoid cuts from sharp metal edges and aluminum fins on front and rear coils.
- Have two or more persons to move and install the unit.

# Before you get start.



The installation must be carried out in strict accordance with the instructions in this manual.



Installing your AC should take about 60 minutes.



We recommend doing this with a helper.



We're here if you need us, please contact your local distributor for assistance.

## Preparations before installation

### NOTE

Save Carton and these Installation Instructions for future reference. The carton is the best way to store unit during winter, or when not in use.

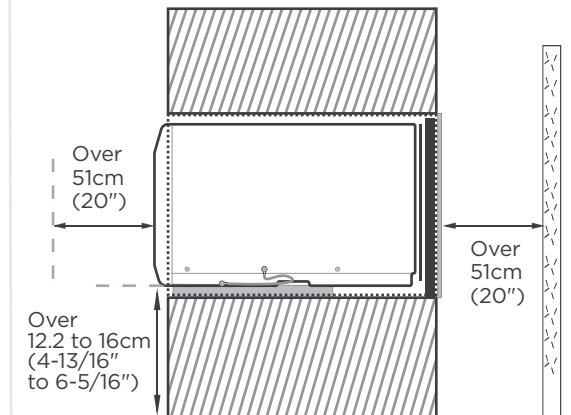
## ! Confirm your installation location requirements and Wall Sleeve Dimensions.

- The Air Conditioner dimensions are: 24" wide, 14" high, and 18" deep (without front panel). Install Air Conditioner according to these installation instructions to achieve the best performance.
- Confirm the size of the wall sleeve according to your hole in the wall, identify the wall-sleeve brand for your installation, from the chart below.

According to different wall cover depth, we have divided the installation into 9 categories. Please note that the wall cover of the same brand may also have different depths. Please install according to the depth.

Type	Brand	Depth
#1	Emerson	15"
#2	Fedders	19-3/4"
#3	Fedders/ Friedrich	16-3/4"
#4	General Electric/ Hotpoint	16-3/8"
#5	Sears/ Carrier(51S Series)	18-5/8"
#6	Whirlpool	17-1/8"
#7	Whirlpool	23"
#8	White-Westingshouse/ Frigidaire/ Carrier(52F Series)	16/17-1/2"
#9	White-Westingshouse/ Frigidaire	22"

To make the appliance work better, please do not place a barrier in the air outlet, and select the installation location of the product according to the requirements in the following figure.



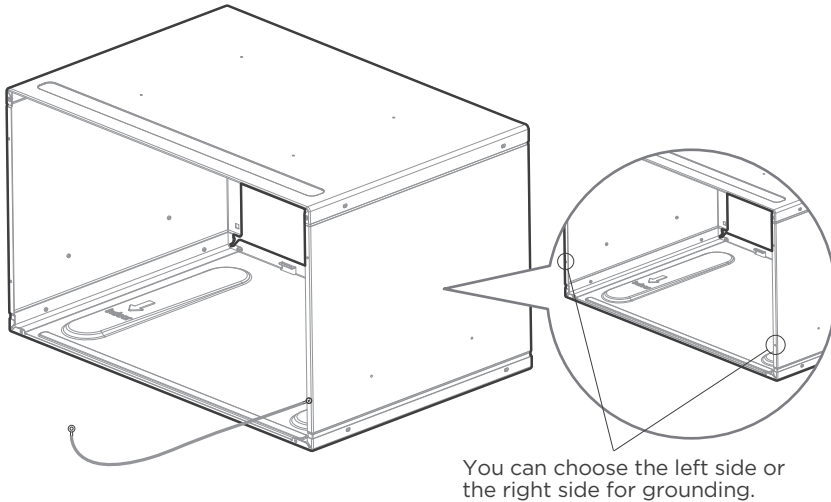
Side View

# Complete the installation of Wall Sleeve.

Preparations before unit installation

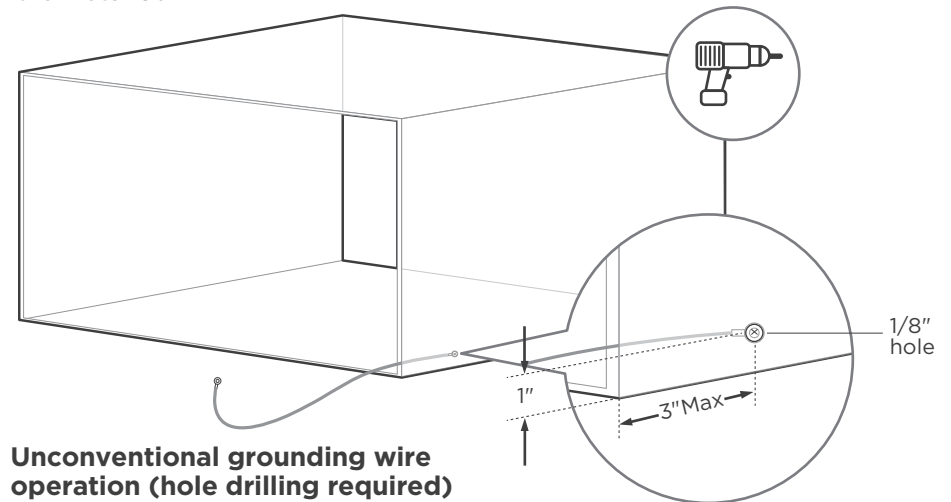
## Install the wall sleeve and make grounding connection

- Remove old Air Conditioner from wall sleeve and prepare wall sleeve(if any). Clean interior (do not disturb seals).
- Under the front of the wall cover, there are two 1/8" holes for ground operation. Use the Ground Wire and Ground Screw(No. 18), and Toothed Washer(No. 19) the fitting bag for ground installation.



Normal grounding operation

- If there is no ground wire installation hole, please drill a 1/8" clearance hole for grounding screw through left side of wall sleeve, in a clear area about 3" maximum back from front edge of sleeve, using grounding screw and toothed washer. Pull loose end of ground wire out front of sleeve, and temporarily bend it down and around lower edge of sleeve. This ground wire will later be attached to frame of air conditioner once it is installed.

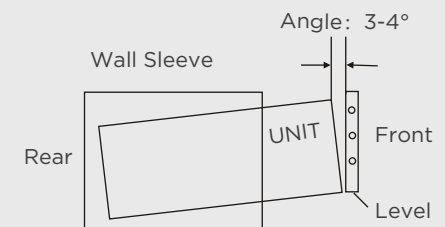


- Wall sleeve must be securely fastened in wall before installing Air Conditioner. Drive more nails or screws through sleeve, into wall, if needed(Repair paint if needed).



### CAUTION:

- All wall sleeves used to mount the new Air Conditioner must be in sound structural condition and have a rear grille that securely attaches to sleeve, or rear flange that serves as a stop for the Air Conditioner.
- When installation is complete, replacement unit MUST have a rearward slope as shown.
- Do not use any screws other than those specified here.

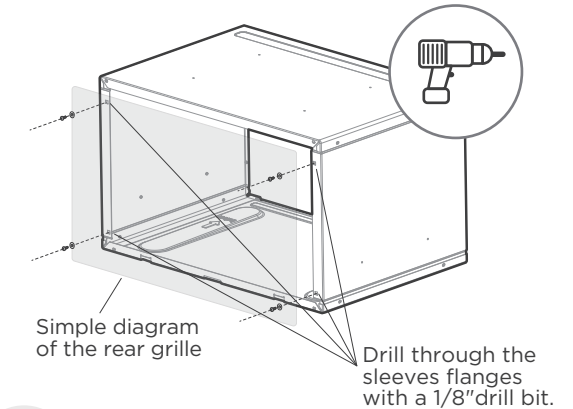
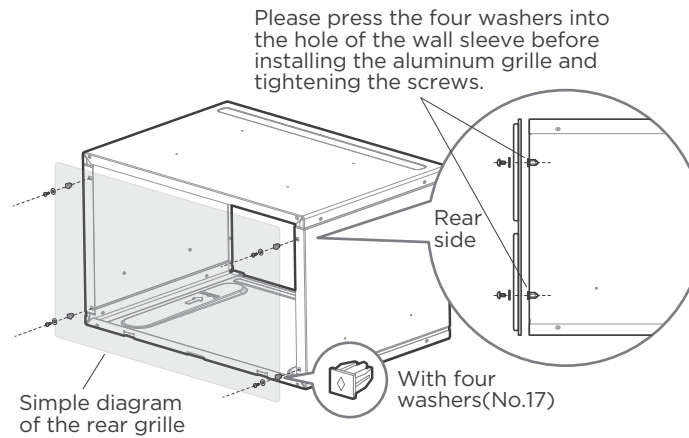
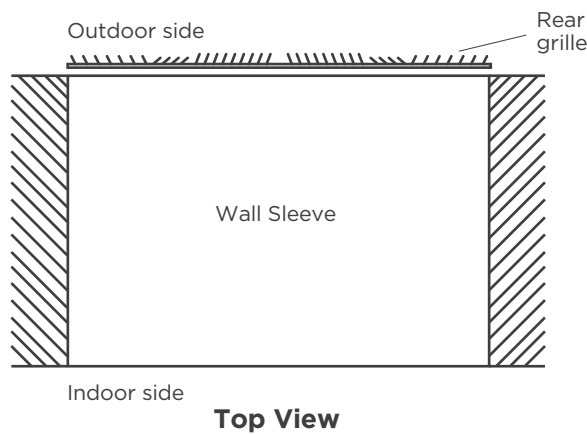


# Installation of Aluminum Grille.

Installation of new grille provided with unit

## NOTE

We have a new design for the rear grille (two rear air intakes) to improve the performance of the product. Please be sure to use the aluminum grille we provide for installation to achieve the best performance of the product. Most decorative exterior grilles may be left in place as long as the proper interior air direction grille is installed.



1

## Confirmation of installation position.

- Remove the existing grille.
- Place the grille included with the new air conditioner towards the rear of the sleeve.

2

## Install Aluminum Grille. (with Normal Wall Sleeve)

- Attached the new grille with self-threading screws and washers.

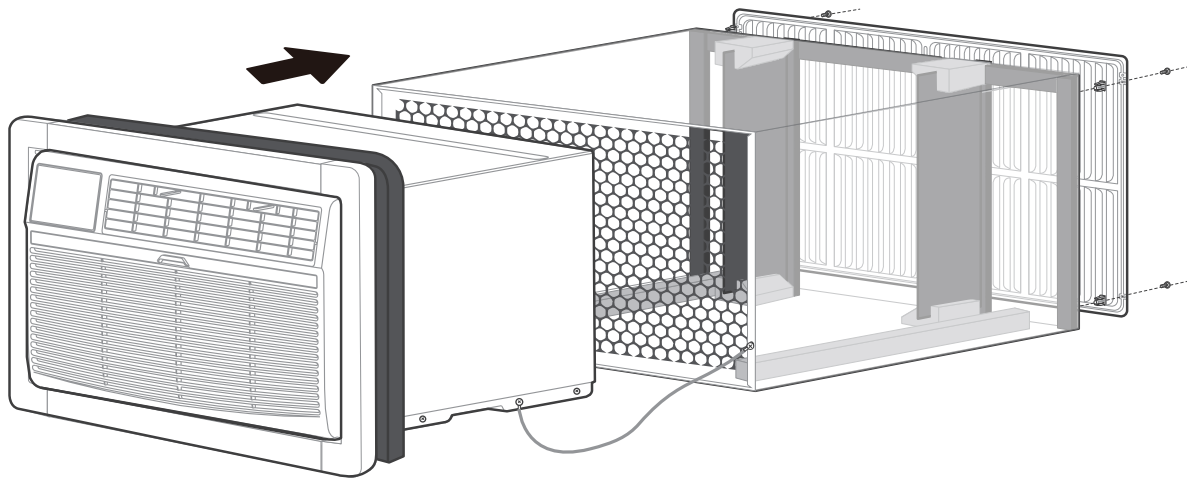
3

## Install Aluminum Grille. (with Unconventional Wall Sleeve)

- Mark through the hole positions.
- Drill through the sleeves flanges with a 1/8" drill bit.
- Attached the new grille with self-threading screws and washers.

# Install your product.

## #9 White Westinghouse or Frigidaire for example



### **NOTE**

Illustrations in this manual are for explanatory purposes. The actual shape of your indoor unit may be slightly different. The actual shape shall prevail.



### **IMPORTANT**

Save these instructions for local inspectors use. Observe all governing codes and ordinances. Proper installation is the responsibility of the installer. Product failure due to improper installation is not covered under the Warranty.

Nine installation methods we will provide, please choose one of the corresponding installation method (follow the instructions on page 7 to determine the type) to finish the installation.

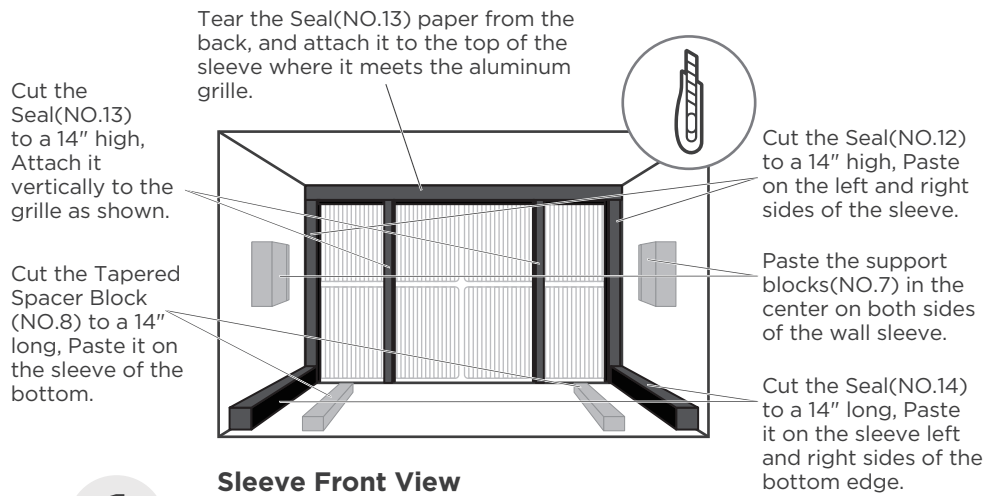
If you have difficulty with mounting the grill to the sleeve, follow the instructions for direct mounting on Page 20.

# #1 Emerson(15" Deep)

## NOTE

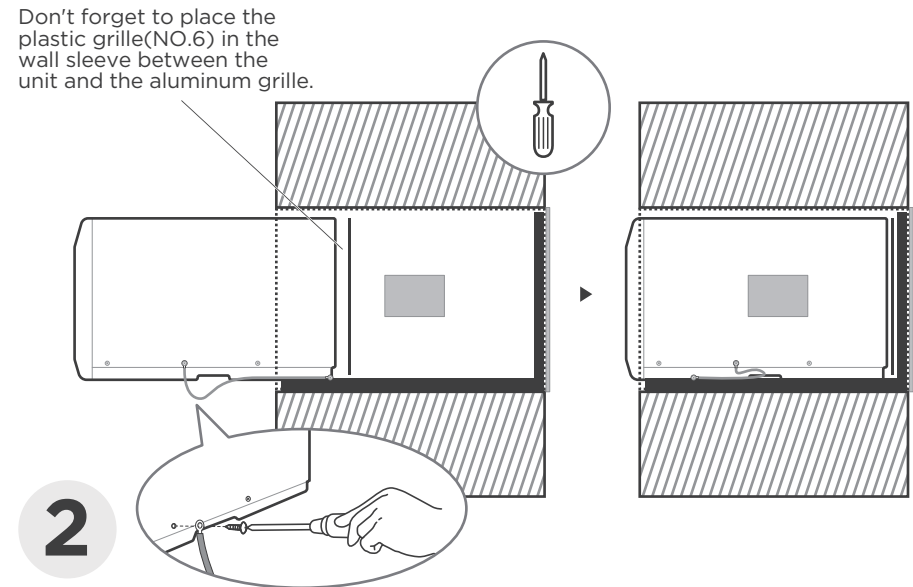
Complete the first installation step according to the wall cover installation guide (page 8) and aluminum grid installation guide (page 9).

## Guide to installation before embedding the product into the wall



## Paste the fixed Seal according to the above figure and instructions.

The Seals and blocks shown above are all backed with glue. You need to tear the paper to paste and fix it When installing. Please be careful when you cutting.



Take out the unconnected end of the ground wire in the wall sleeve, and then embed the unit into the wall sleeve, as shown and then hold on. Use a screwdriver to unscrew the second screw below the unit and tighten the ground wire connection(Make sure that the toothed washer is against the cabinet).

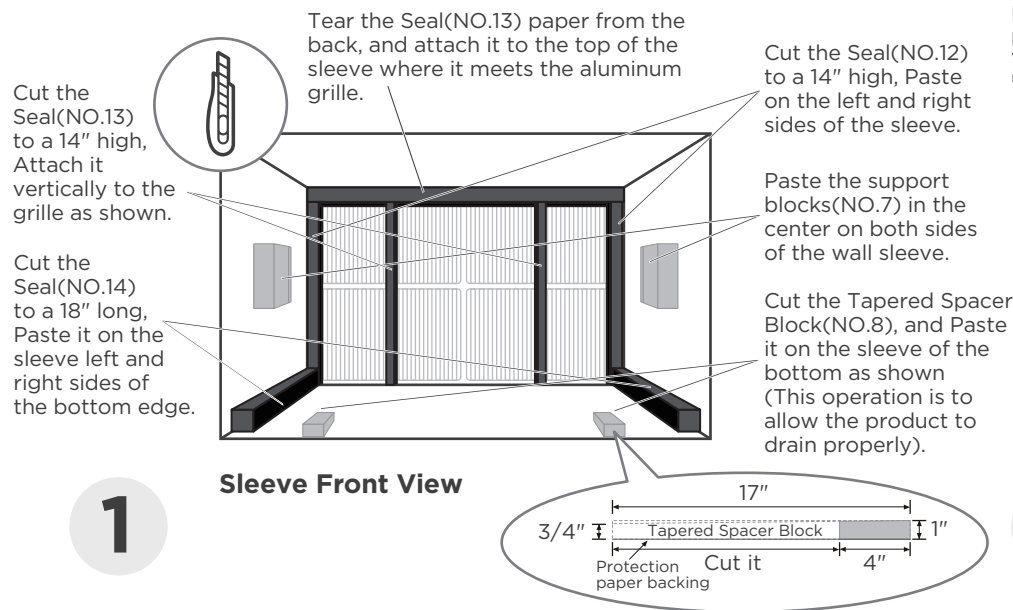
Slide the unit completely to the rear to ensure a good seal, making sure the ground wire does not become tangled.

# #2 Fedders(19-3/4" Deep)

## NOTE

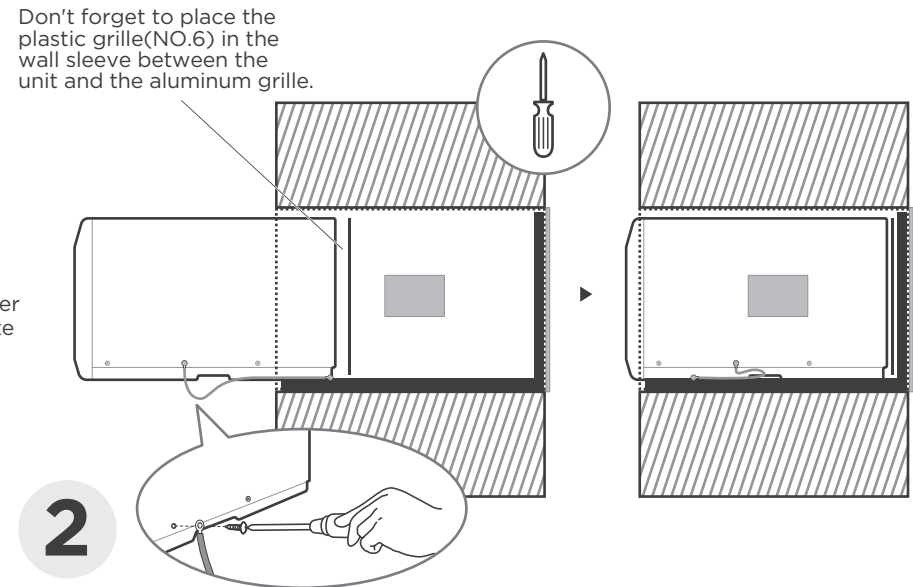
Complete the first installation step according to the wall cover installation guide (page 8) and aluminum grid installation guide (page 9).

### Guide to installation before embedding the product into the wall



### Paste the fixed Seal according to the above figure and instructions.

The Seals and blocks shown above are all backed with glue. You need to tear the paper to paste and fix it When installing. Please be careful when you cutting.



### Complete grounding connection and product embedded wall sleeve.

Take out the unconnected end of the ground wire in the wall sleeve, and then embed the unit into the wall sleeve, as shown and then hold on. Use a screwdriver to unscrew the second screw below the unit and tighten the ground wire connection(Make sure that the toothed washer is against the cabinet).

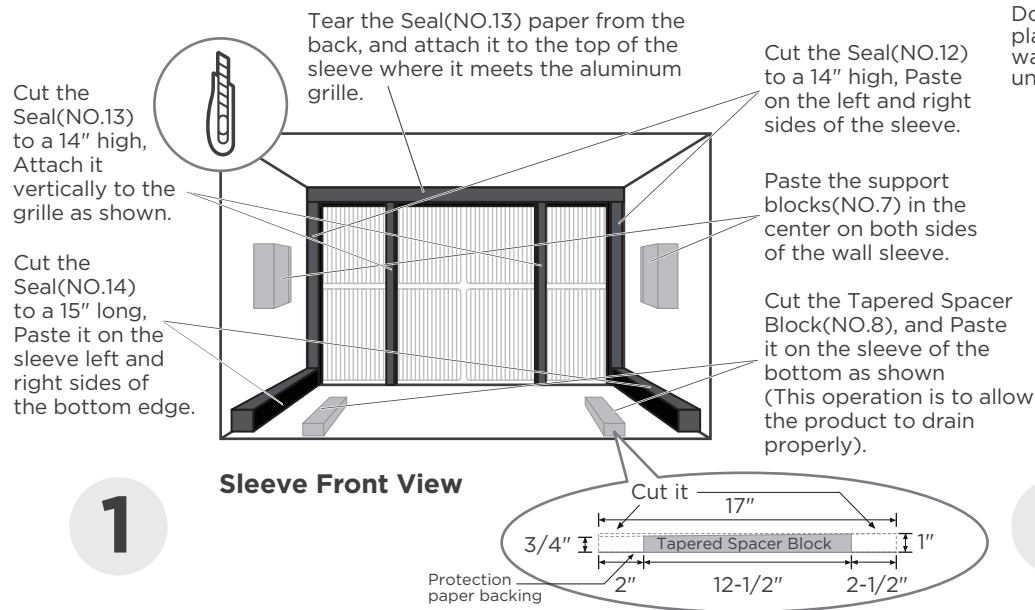
Slide the unit completely to the rear to ensure a good seal, making sure the ground wire does not become tangled.

# #3 Fedders or Friedrich(16-3/4" Deep)

## NOTE

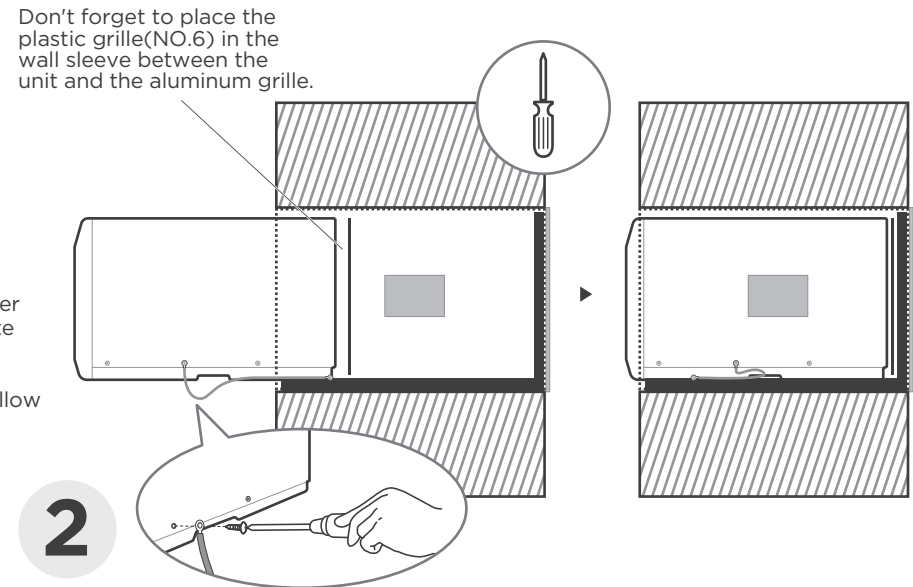
Complete the first installation step according to the wall cover installation guide (page 8) and aluminum grid installation guide (page 9).

### Guide to installation before embedding the product into the wall



### Paste the fixed Seal according to the above figure and instructions.

The Seals and blocks shown above are all backed with glue. You need to tear the paper to paste and fix it When installing. Please be careful when you cutting.



### Complete grounding connection and product embedded wall sleeve.

Take out the unconnected end of the ground wire in the wall sleeve, and then embed the unit into the wall sleeve, as shown and then hold on. Use a screwdriver to unscrew the second screw below the unit and tighten the ground wire connection(Make sure that the toothed washer is against the cabinet).

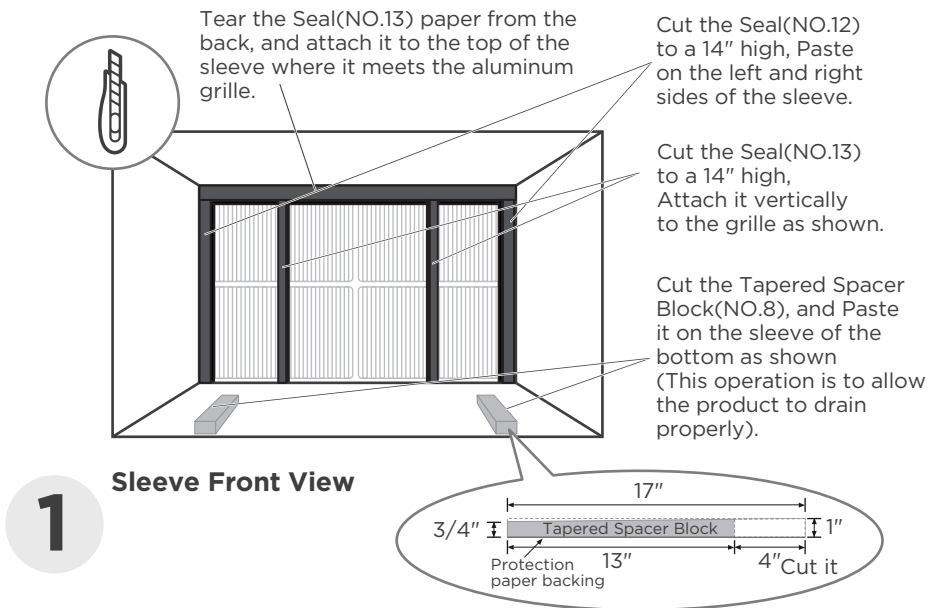
Slide the unit completely to the rear to ensure a good seal, making sure the ground wire does not become tangled.

# #4 General Electra/Hotpoint(16-7/8" Deep)

## NOTE

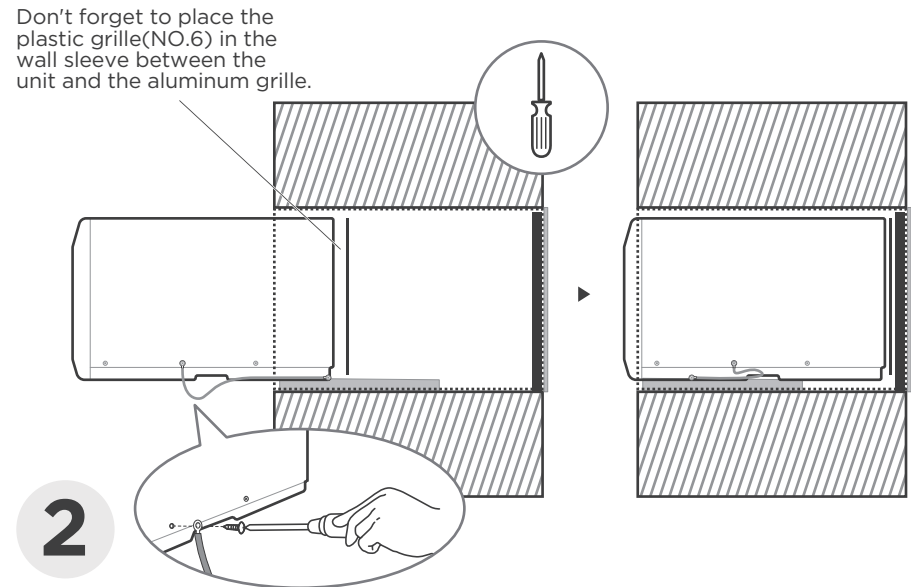
Complete the first installation step according to the wall cover installation guide (page 8) and aluminum grid installation guide (page 9).

## Guide to installation before embedding the product into the wall



## Paste the fixed Seal according to the above figure and instructions.

The Seals and blocks shown above are all backed with glue. You need to tear the paper to paste and fix it When installing. Please be careful when you cutting.



## Complete grounding connection and product embedded wall sleeve.

Take out the unconnected end of the ground wire in the wall sleeve, and then embed the unit into the wall sleeve, as shown and then hold on. Use a screwdriver to unscrew the second screw below the unit and tighten the ground wire connection(Make sure that the toothed washer is against the cabinet).

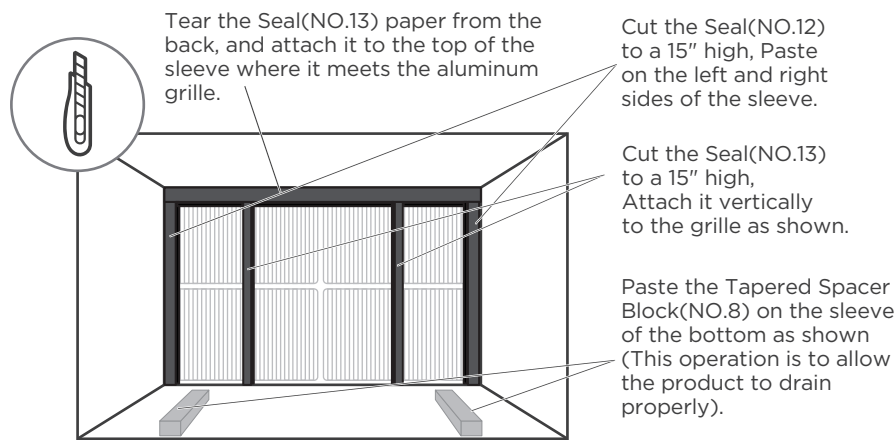
Slide the unit completely to the rear to ensure a good seal, making sure the ground wire does not become tangled.

# #5 Sears or Carrier 51S Series(18-5/8" Deep)

## NOTE

Complete the first installation step according to the wall cover installation guide (page 8) and aluminum grid installation guide (page 9).

## Guide to installation before embedding the product into the wall

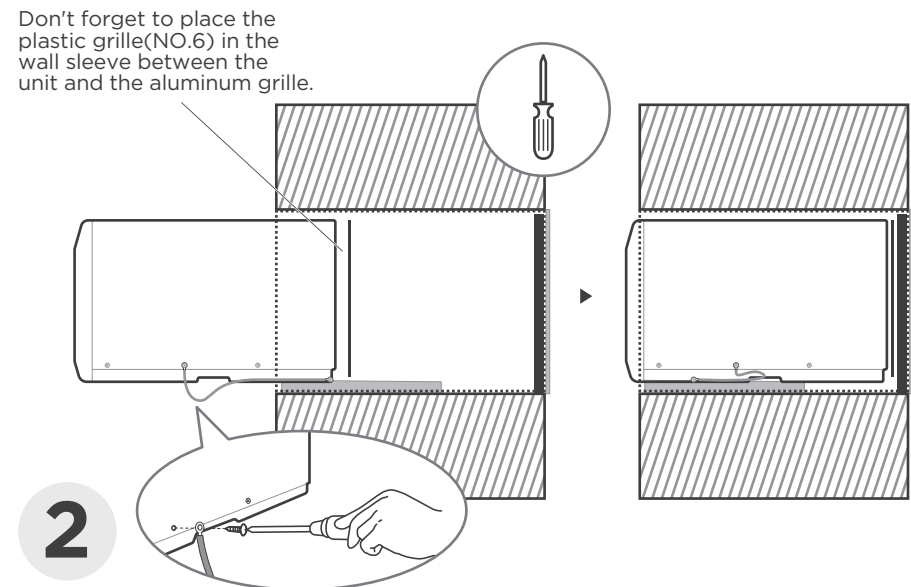


Sleeve Front View

1

## Paste the fixed Seal according to the above figure and instructions.

The Seals and blocks shown above are all backed with glue. You need to tear the paper to paste and fix it When installing. Please be careful when you cutting.



2

## Complete grounding connection and product embedded wall sleeve.

Take out the unconnected end of the ground wire in the wall sleeve, and then embed the unit into the wall sleeve, as shown and then hold on. Use a screwdriver to unscrew the second screw below the unit and tighten the ground wire connection(Make sure that the toothed washer is against the cabinet).

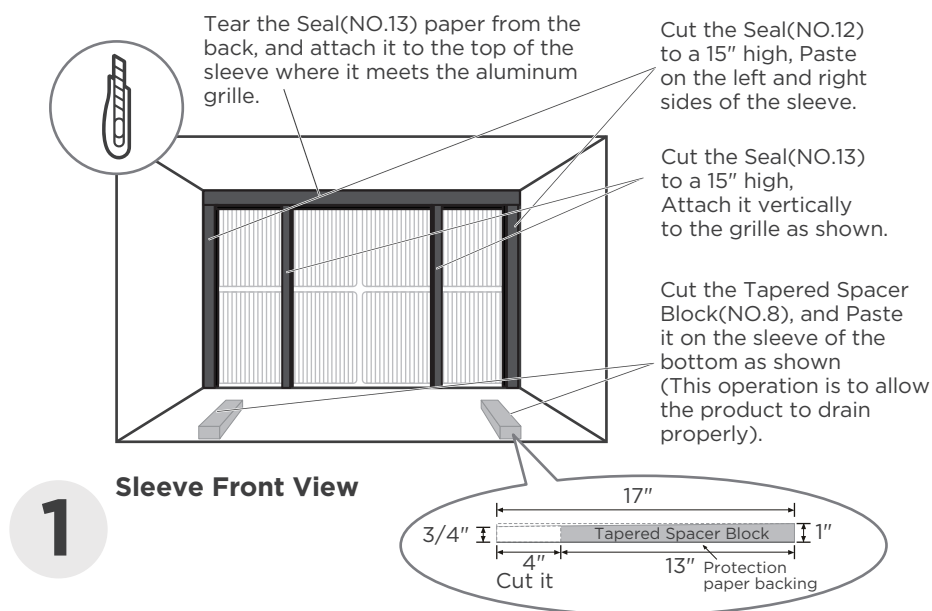
Slide the unit completely to the rear to ensure a good seal, making sure the ground wire does not become tangled.

# #6 Whirlpool(17-1/8" Deep)

## NOTE

Complete the first installation step according to the wall cover installation guide (page 8) and aluminum grid installation guide (page 9).

### Guide to installation before embedding the product into the wall

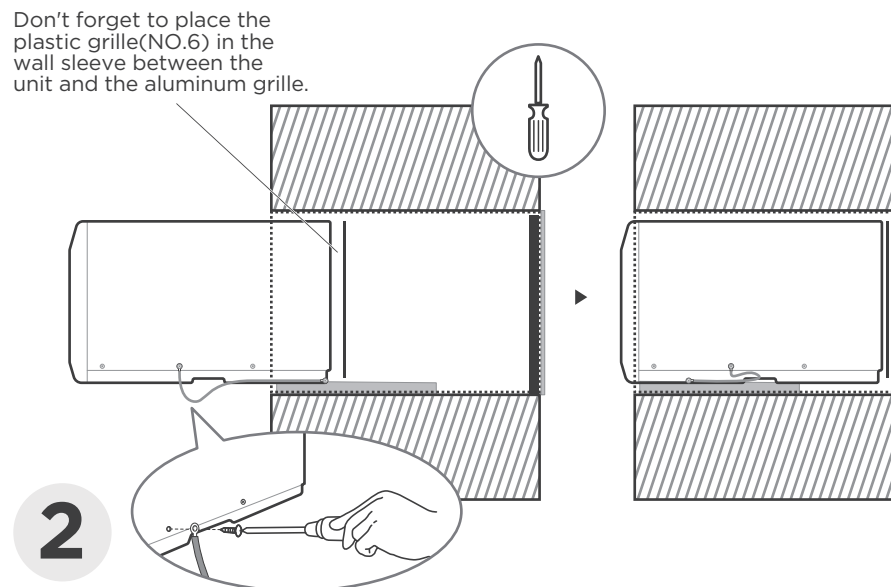


1

Sleeve Front View

### Paste the fixed Seal according to the above figure and instructions.

The Seals and blocks shown above are all backed with glue. You need to tear the paper to paste and fix it When installing. Please be careful when you cutting.



2

### Complete grounding connection and product embedded wall sleeve.

Take out the unconnected end of the ground wire in the wall sleeve, and then embed the unit into the wall sleeve, as shown and then hold on. Use a screwdriver to unscrew the second screw below the unit and tighten the ground wire connection(Make sure that the toothed washer is against the cabinet).

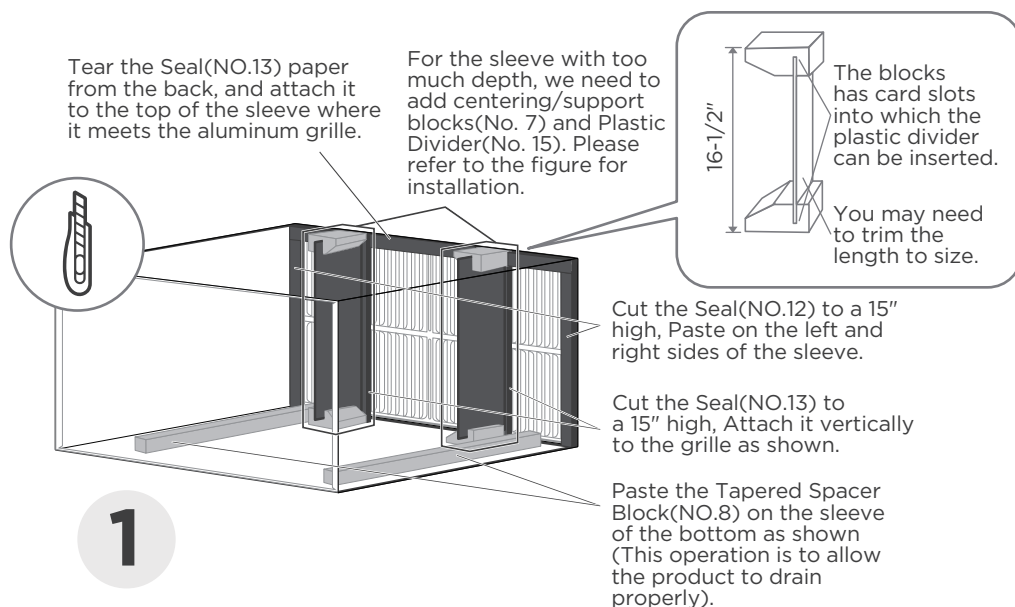
Slide the unit completely to the rear to ensure a good seal, making sure the ground wire does not become tangled.

# #7 Whirlpool(23" Deep)

## NOTE

Complete the first installation step according to the wall cover installation guide (page 8) and aluminum grid installation guide (page 9).

### Guide to installation before embedding the product into the wall

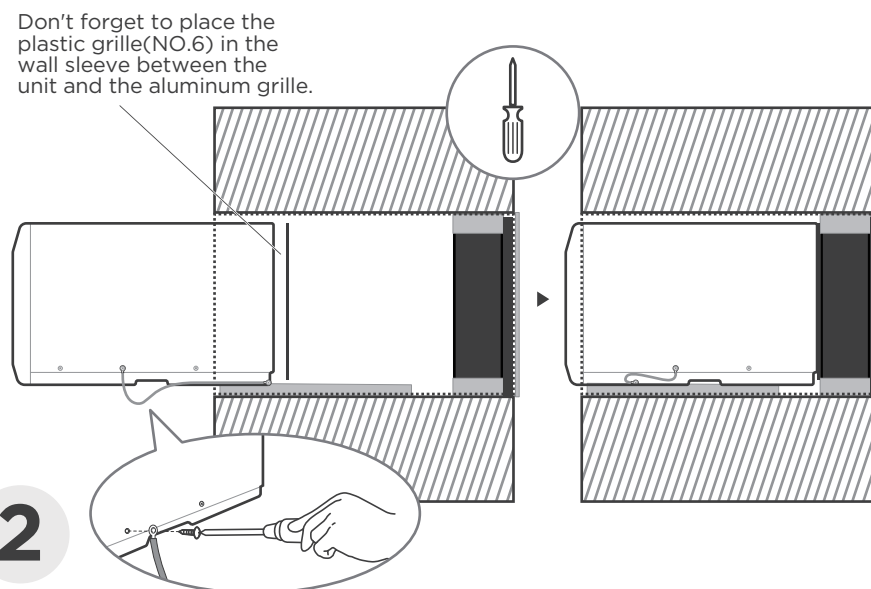


### Paste the fixed Seal according to the above figure and instructions.

The Seals and blocks shown above are all backed with glue. You need to tear the paper to paste and fix it When installing. Please be careful when you cutting.

**NOTE:** There are two benefits to adding the rear plastic partition:

1. Effective air inlet and outlet interval between the air inlet and outlet grilles at the rear of the unit to improve the efficiency of air inlet and outlet
2. Play the role of stabilizing unit under product working condition.



### Complete grounding connection and product embedded wall sleeve.

Take out the unconnected end of the ground wire in the wall sleeve, and then embed the unit into the wall sleeve, as shown and then hold on. Use a screwdriver to unscrew the second screw below the unit and tighten the ground wire connection(Make sure that the toothed washer is against the cabinet).

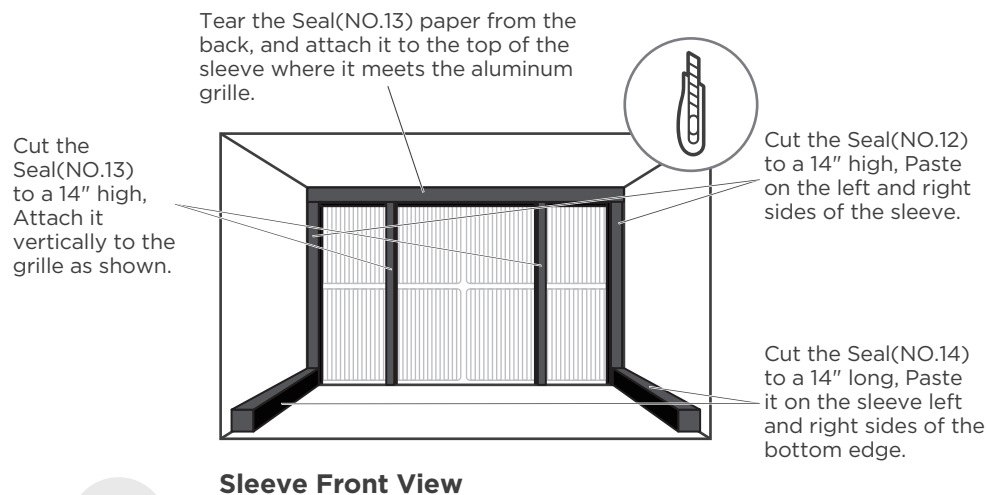
Slide the unit completely to the rear to ensure a good seal, making sure the ground wire does not become tangled.

# #8 White Westinghouse/Frigidaire/ Carrier 52F Series(16/17-1/2" Deep)

## NOTE

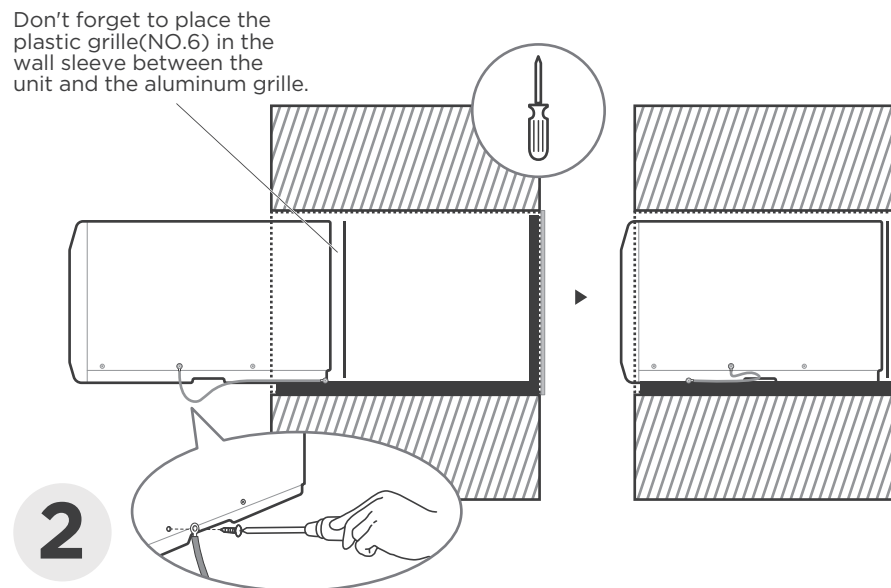
Complete the first installation step according to the wall cover installation guide (page 8) and aluminum grid installation guide (page 9).

### Guide to installation before embedding the product into the wall



### Paste the fixed Seal according to the above figure and instructions.

The Seals and blocks shown above are all backed with glue. You need to tear the paper to paste and fix it When installing. Please be careful when you cutting.



### Complete grounding connection and product embedded wall sleeve.

Take out the unconnected end of the ground wire in the wall sleeve, and then embed the unit into the wall sleeve, as shown and then hold on. Use a screwdriver to unscrew the second screw below the unit and tighten the ground wire connection(Make sure that the toothed washer is against the cabinet).

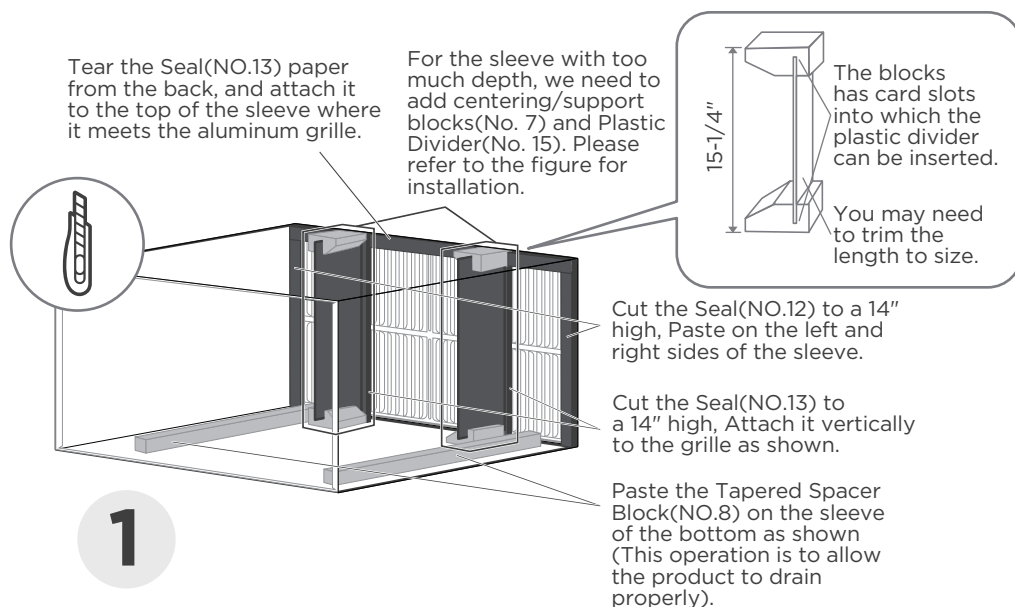
Slide the unit completely to the rear to ensure a good seal, making sure the ground wire does not become tangled.

# #9 White Westinghouse or Frigidaire(22" Deep)

## NOTE

Complete the first installation step according to the wall cover installation guide (page 8) and aluminum grid installation guide (page 9).

## Guide to installation before embedding the product into the wall

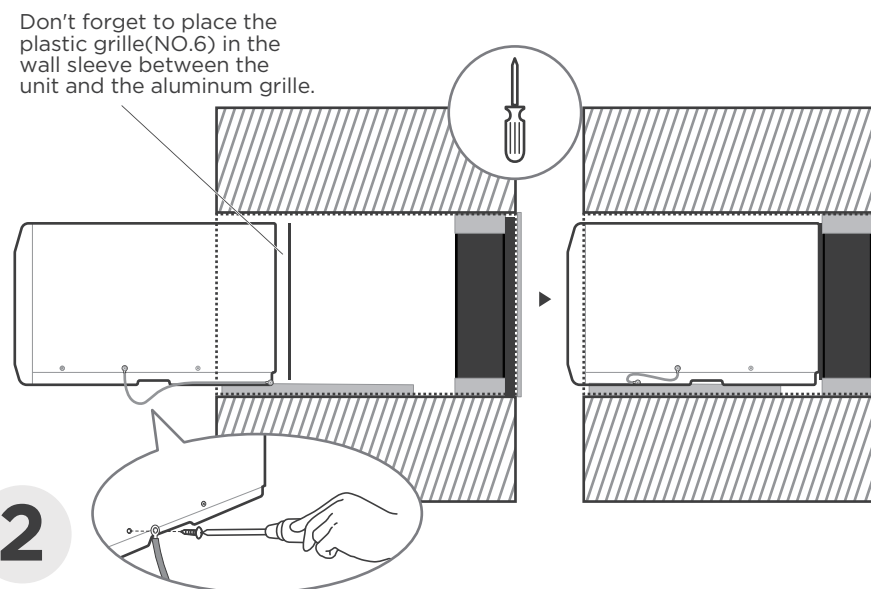


### Paste the fixed Seal according to the above figure and instructions.

The Seals and blocks shown above are all backed with glue. You need to tear the paper to paste and fix it When installing. Please be careful when you cutting.

**NOTE:** There are two benefits to adding the rear plastic partition:

1. Effective air inlet and outlet interval between the air inlet and outlet grilles at the rear of the unit to improve the efficiency of air inlet and outlet
2. Play the role of stabilizing unit under product working condition.



### Complete grounding connection and product embedded wall sleeve.

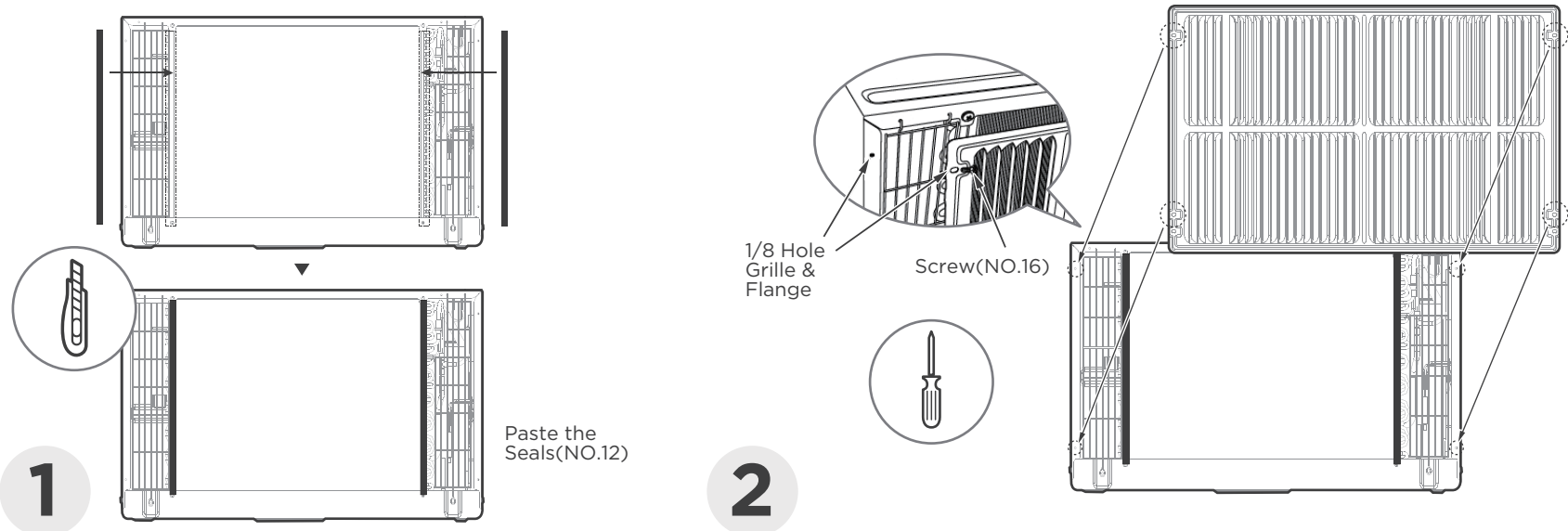
Take out the unconnected end of the ground wire in the wall sleeve, and then embed the unit into the wall sleeve, as shown and then hold on. Use a screwdriver to unscrew the second screw below the unit and tighten the ground wire connection(Make sure that the toothed washer is against the cabinet).

Slide the unit completely to the rear to ensure a good seal, making sure the ground wire does not become tangled.

# You can installing aluminum grille at first.

## NOTE

- The previous directions are the preferable way to mount the new Aluminum Grill. The units performance is slightly better and the possibility of draughts is reduced. As a last resort, direct mounting of the grille to the unit can be considered (the installation tutorial follows).
- The Aluminum Grille must be installed prior to inserting the unit into the sleeve.



## 1 Paste the Seals(NO.12) as shown.

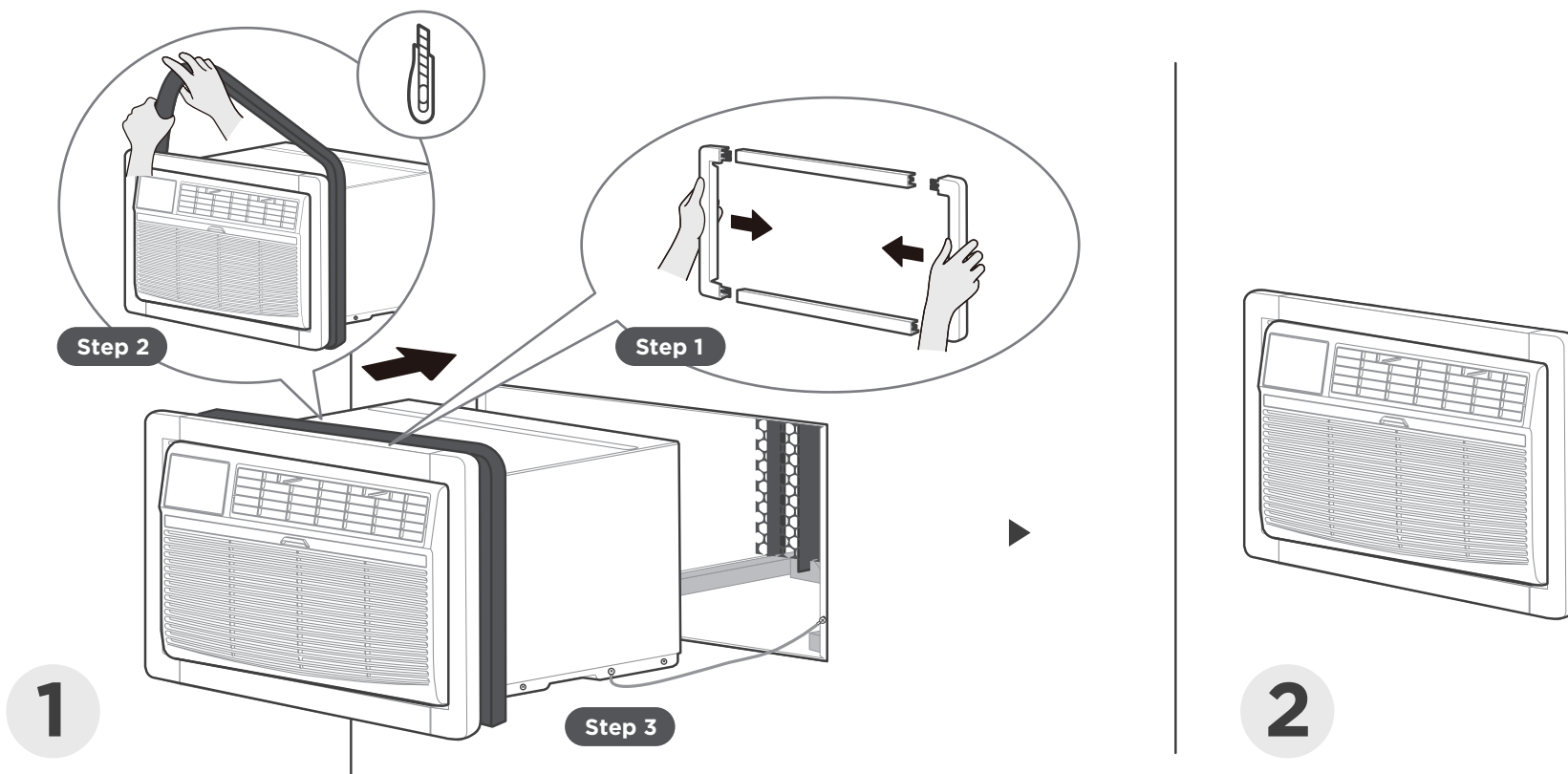
Paste the Seals(NO.12) as shown. It provides a safe distance between the fins and the Aluminum Grille, and acts as a buffer to prevent them from touching.

## 2 Install the unit with the Aluminum Grille and embed it into the Wall Sleeve.

Line up the Aluminum Grille with the rear hole of the unit as shown, then tighten and secure it using Screws and Screw Washer(NO.16). The protruding side of the aluminum grille fin needs to be mounted outwards.

If the unit has not been pre-drilled, carefully drill four 1/8" holes through the grille and into the side flange of the unit, then fasten it with Screws(NO.16). Be careful not to drill into the copper heat exchanger coils. Finally, insert the unit into the sleeve.

# Finally, do some cosmetic work on your product.



## 1 Do some cosmetic work.

**Step 1:** Assemble the Trim Frame (NO.2) by inserting top and bottom pieces into side pieces (NO.3), and embed it into the unit flush with the front panel.

**Step 2:** Install the Long Stuffer-seal (NO.9) between the wall-sleeve and the unit. Wrap the foam tightly around the fuselage and carefully cut off any excess using a knife.

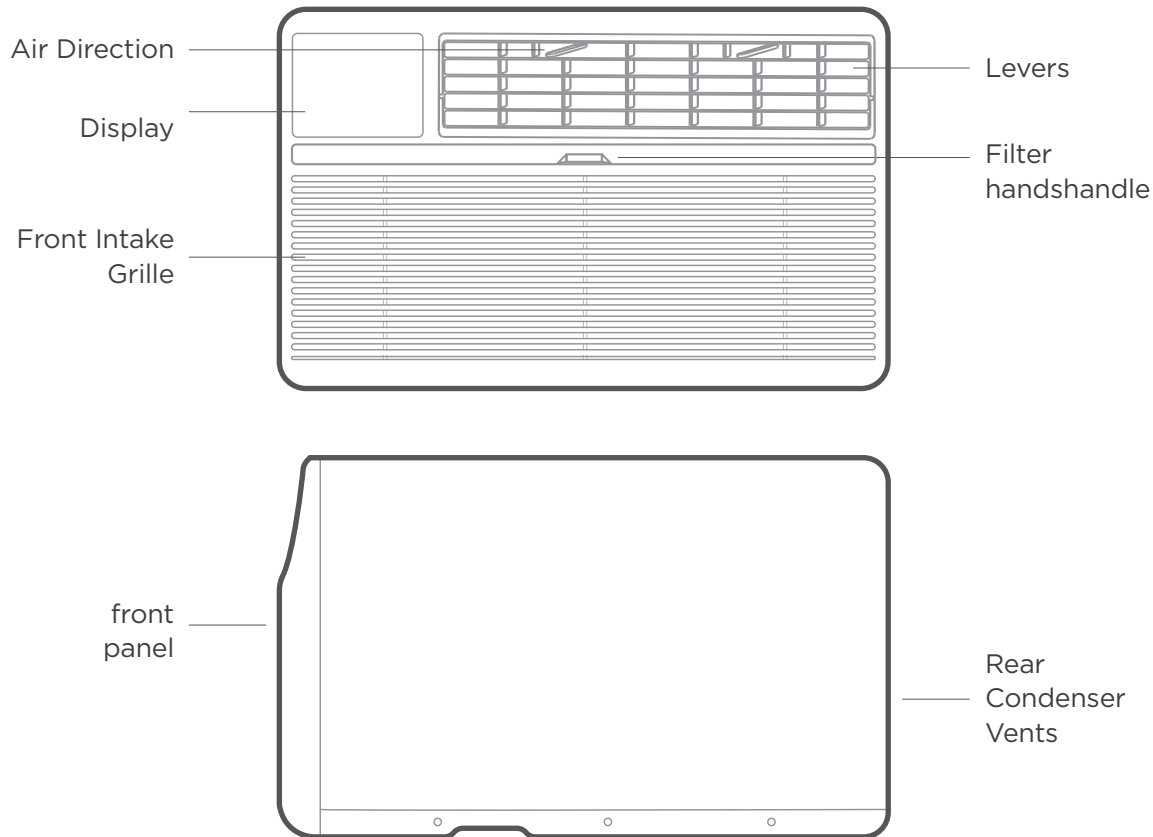
**Step 3:** Slide the frame, seal and unit carefully into the Wall Sleeve for internal fixation, taking care that the grounding wire is also properly placed and not damaged.

## 2 The installation is complete.

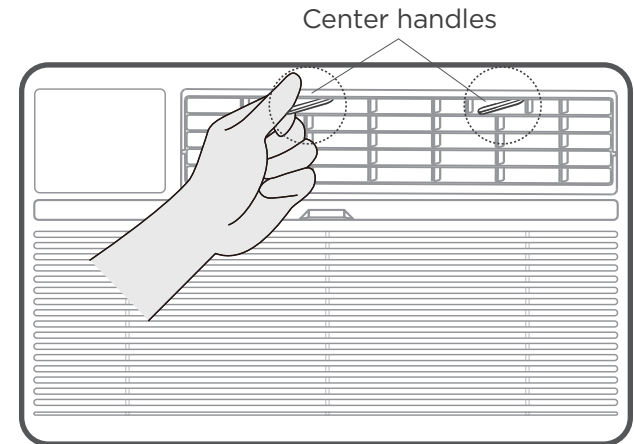
Congratulations on the installation, but you're not done yet. Take a break! And then, get to know your product better.

# Get to know your AC.

## Components of the product



## Adjust the Air Direction



Air directional louvers control air flow direction. Your air conditioner has the 4-way directional system described below. The louvers will allow you to direct the air flow Up or Horizontal, and Left or Right throughout the room as needed. Use the center handles to adjust the air directional louvers side-to-side until the desired Left or Right direction is obtained. Pivot horizontal louvers with your fingertips until the desired Up or Horizontal direction is obtained.



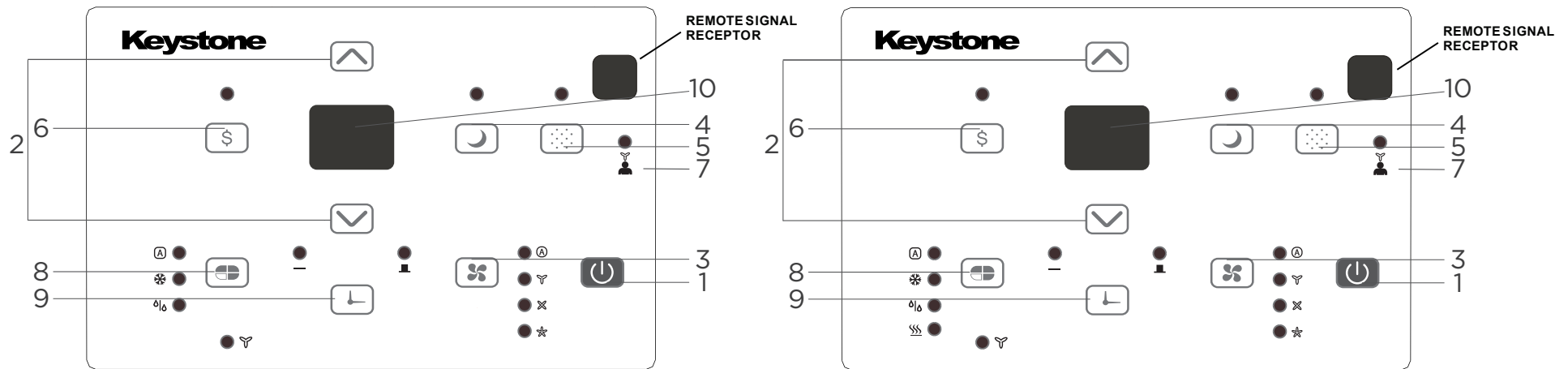
**CAUTION:** Do not stick your fingers in the air outlet, it may cause an injury.

# Get to know the features.

## ELECTRONIC CONTROL OPERATING INSTRUCTIONS

### NOTE

- Before you begin, thoroughly familiarize yourself with the control panel as shown below and all its functions, then follow the symbol for the functions you desire. The unit can be controlled by the unit control alone or with the remote.
- This control panel is based on the typical model. Not all the functions describing in this manual are available for all the models. The machine you purchased may be slightly different.
- If the unit breaks off unexpectedly due to the power cut, it will restart with the previous function setting automatically when the power resumes.
- HEAT function for heating models only.



### 1. TO TURN UNIT ON OR OFF:

Press  POWER button to turn unit on or off.

**NOTE:** The unit will initiate automatically the Energy Saver function under Cool, Dry, Auto(only Auto-Cooling and Auto-Fan) modes.


# ELECTRONIC CONTROL OPERATING INSTRUCTIONS

## 2. TO CHANGE TEMPERATURE SETTING:

Press  /  UP/DOWN button to change temperature setting.


**NOTE:** Press or hold either UP or DOWN button until the desired temperature is seen on the display. This temperature will be automatically maintained anywhere between 62°F(17°C) and 86°F(30°C). If you want the display to read the actual room temperature, see To Operate on Fan Only section.

## 3. TO ADJUST FAN SPEEDS:

Press  to select the Fan Speed in four steps  
Ⓐ Auto, ʎ Low, ✕ Med or ✨ High.


Each time the button is pressed, the fan speed mode is shifted. For some models, the fan speed can not be adjusted under HEAT mode. On Dry mode, the fan speed is controlled at Low automatically.

## 4. SLEEP FEATURE:


Press  Sleep button to initiate the sleep mode. In this mode the selected temperature will increase (cooling) or decrease (heating) by 2°F/1°C 30 minutes after the mode is selected. The temperature will then increase (cooling) or decrease(heating) by an other 2°F/1°C after anadditional 30 minutes.

This new temperature will be maintained for 7 hours before it returns to the originally selected temperature. This ends the Sleep mode and the unit will continue to operate as originally programmed. The Sleep mode program can be cancelled at any time during operation by pressing the Sleep button again.


## 5. CHECK FILTER FEATURE:

Press  Check Filter button to initiate the feature. This feature is a reminder to clean the air filter for more efficient operation. The LED light will illuminate after 250 hours of operation. To reset after cleaning the filter, press the Check Filter button and the light will go off.


## 6. ENERGY SAVER FEATURE:

Press  Energy saver button to initiate this function. This function is available on COOL, DRY, AUTO (only AUTO-COOLING and AUTO-FAN) modes. The fan will continue to run for 3 minutes after the compressor shuts off. The fan then cycles on for 2 minutes at 10 minutes intervals until the room temperature is above the set temperature, at which time the compressor turns back on and Cooling Starts.

## 7. FOLLOW ME FEATURE:

This feature  can be activated from the remote control ONLY. The remote control serves as a remote thermostat allowing for the precise temperature control at its location. To activate the Follow Me feature, point the remote control towards the unit and press the Follow Me button. The remote display is actual temperature at its location. The remote control will send this signal to the air conditioner every 3 minutes interval until press the Follow Me button again. If the unit does not receive the Follow Me signal during any 7 minutes interval, the unit will beep to indicate the Follow Me mode has ended.

## 8. TO SELECT THE OPERATING MODE:

To choose operating mode, press  Mode button. Each time you press the button, a mode is selected in a sequence that goes from Ⓐ Auto, ✨ Cool, ʎ Dry, ʎ heat (cooling only models without) and ʎ Fan. The indicator light beside will be illuminated and remained on once the mode is selected. The unit will initiate automatically the Energy Saver function under Cool, Dry, Auto (only Auto-Cooling and Auto-Fan) modes.

# ELECTRONIC CONTROL OPERATING INSTRUCTIONS

## To operate on Auto feature:

- When you set the air conditioner in AUTO mode, it will automatically select cooling, heating (cooling only models without), or fan only operation depending on what temperature you have selected and the room temperature.
- The air conditioner will control room temperature automatically round the temperature point set by you.
- The air conditioner will control room temperature automatically round the temperature point set by you.
- In this mode, the fan speed cannot be adjusted, it starts automatically at a speed according to the room temperature.

## To operate on COOL mode:

- Choose Cool Mode to set the cooling function. Use the Up and Down buttons to choose the desired temperature. When Cool Mode is selected, the fan speed can be adjusted by pressing the fan button.

## To operate on HEAT mode

### (cooling only models are excluded) :

- Choose Heat mode to start heating operation. Use Up and Down buttons to set the desired temperature. Press the fan button to select the fan speed. For some models, the fan speed can't be adjusted.


## To operate on Fan Only:

- Use this function only when cooling is not desired, such as for room air circulation or to exhaust stale air(optional)-Remember to open the vent during this function, but keep it closed during cooling for maximum cooling efficiency. You can choose any fan speed you prefer.
- During this function, the display will show the actual room temperature, not the set temperature as in the cooling mode.
- In Fan only mode, the temperature is not adjusted.

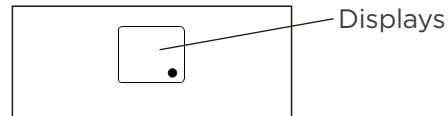
## To operate on Dry mode:

- In this mode, the air conditioner will generally operate in the form of a dehumidifier. Since the conditioned space is a closed or sealed area, some degree of cooling will continue.

## 9. TIMER: AUTO START/STOP FEATURE:

- When the unit is on or off, first press  Timer button, the TIMER ON indicator light illuminates. It indicates the Auto Start program is initiated.
- When the time of TIMER ON is displayed, press the Timer button again, the TIMER OFF indicator light illuminates. It indicates the Auto Stop program is initiated.
- Press or hold the UP or DOWN button to change the Auto time by 0.5 hour increments, up to 10 hours, then at 1 hour increments up to 24 hours. The control will count down the time remaining until start.
- The selected time will register in 5 seconds, and the system will automatically revert back to display the previous temperature setting or room temperature when the unit is on (when the unit is off, there is no display).
- Turn the unit ON or OFF at any time or adjusting the timer setting to 0.0 will cancel the Auto Start/Stop timed program.

## 10. DISPLAY:



Shows the set temperature in "°C" or "°F" and the Auto-timer settings. While on Fan only mode, it shows the room temperature. If the room temperature is too high or low, it will display "HI" or "LO".

### Error codes:

- AS**-Room temperature sensor error- Unplug the unit and plug it back in. If error repeats, call for service.
- ES**-Evaporator temperature sensor error- Unplug the unit and plug it back in. If error repeats, call for service.

### HS-Electric heating sensor error-

Unplug the unit and plug it back in. If error repeats, call for service.

**CS**-The sensor of the outdoor unit condenser is faulty- Unplug the unit and plug it back in. If error repeats, call for service.

### oS-Room temperature sensor error-

Unplug the unit and plug it back in. If error repeats, call for service.

**E3**-The fan stall error- Unplug the unit and plug it back in. If error repeats, call for service.

### EO-Failure of EEPROM parameter-

Unplug the unit and plug it back in. If error repeats, call for service.

1

### Your AC may look a little different.

All the illustrations in this manual are for explanation purpose only. Your air conditioner may be slightly different. The actual shape shall prevail.

2

### Additional things you should know.

Now that you have mastered the operating procedure, here are more features in your control that you should become familiar with.

- The Cool circuit has an automatic 3 minutes time delayed start if the unit is turned off and on quickly. This prevents overheating of the compressor and possible circuit breaker tripping. The fan will continue to run during this time.
- The control is capable of displaying temperature in degrees Fahrenheit or degrees Celsius. To convert from one to the other, press and hold the Left and Right Temp/Timer buttons at the same time, for 3 seconds.

3

### Normal Sounds / Sound Performance

#### High Pitched Chatter

High efficiency compressors may have a high pitched chatter during the cooling cycle.

#### Sound of Rushing Air

At the front of the unit, you may hear the sound of rushing air being moved by the fan.

#### Gurgle/Hiss

“Gurgling or hissing” noise may be heard due to refrigerant passing through evaporator during normal operation.

#### Vibration

Unit may vibrate and make noise because of poor wall or window construction or incorrect installation.

#### Pinging or Switching

Droplets of water hitting condenser during normal operation may cause “pinging or switching” sounds.

# Cleaning & maintenance

How to clean & change your filter.

**Check the air filter at least once a month to see if cleaning is necessary.**

## Air Filter Cleaning

The air filter should be checked at least once a month to see if cleaning is necessary. Trapped particles in the filter can build up and cause an accumulation of frost on the cooling coils.

- Take the filter by the center and pull up and out.
- Wash the filter using liquid dishwashing detergent and warm water. Rinse filter thoroughly. Gently shake excess water from the filter. Be sure the filter is thoroughly dry before replacing. Or, instead of washing you may vacuum the filter clean.

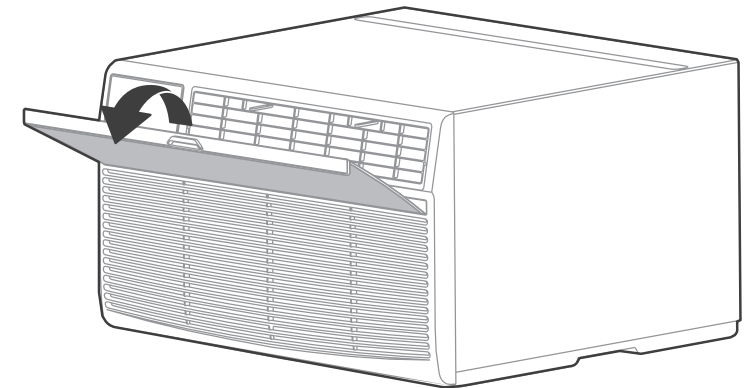
**Note:** Never use hot water over 40°C(104°F) to clean the air filter. Never attempt to operate the unit without the air filter.

## Energy Saving Note

In order to reach the maximum energy saving and comfort, it is recommended to use a cover to insulate the unit when the unit is not in use. The recommended size for the unit is 24.4"x14.8"x2.2"(WxHxD).

## Cabinet Cleaning

- Be sure to unplug the air conditioner to prevent shock or fire hazard. The cabinet and front may be dusted with an oil-free cloth or washed with a cloth dampened in a solution of warm water and mild liquid dishwashing detergent. Rinse thoroughly and wipe dry.
- Never use harsh cleaners, wax or polish on the cabinet front.
- Be sure to wring excess water from the cloth before wiping around the controls. Excess water in or around the controls may cause damage to the air conditioner.
- Plug in air conditioner.



**CAUTION:** Clean your air conditioner occasionally to keep it looking new. **Be sure to unplug the unit before cleaning to prevent shock or fire hazards.**

**CAUTION:** If you plan to store the air conditioner during the winter, remove it carefully from the window according to the installation instructions. Cover it with plastic or return it to the original carton.

# TROUBLESHOOTING

Before calling for service, review this list. It may save your time and expense. This list includes common occurrences that are not the result of defective workman-ship or materials in this appliance.

Problem	Solution
<b>Air conditioner does not start.</b>	Wall plug disconnected. Push plug firmly into wall outlet.
	House fuse blown or circuit breaker tripped. Replace fuse with time delay type or reset circuit breaker.
	Plug Current Device Tripped. Press the RESET button.
	Power is OFF. Turn power ON.
<b>Air from unit does not feel cold enough.</b>	Room temperature below 62°F(17°C). Cooling may not occur until room temperature rises above 62°F(17°C).
	Temperature sensing behind air filter element touching cold coil. Keep it from the cold coil.
	Set to a Lower temperature.
	Compressor stopped when changing modes. Wait for 3 minutes after set to the COOL mode.
<b>Air conditioner cooling, but room is too warm- ice forming on cooling coil behind decorative front.</b>	Outdoor temperature below 64°F(18°C). To defrost the coil, set FAN ONLY mode.
	Air filter may be dirty. Clean filter. Refer to Care and Cleaning section. To defrost, set to FAN ONLY mode.
	Thermostat set too cold for night-time cooling. To defrost the coil, set to FAN ONLY mode. Then, set temperature to a Higher setting.
<b>Air conditioner turns on and off rapidly</b>	Dirty air filter- air restricted. Clean air filter.
	Outside temperature extremely hot. Set FAN speed to a Higher setting to bring air past cooling coils more frequently.



<b>Problem</b>	<b>Solution</b>
<b>Air conditioner cooling, but room is too warm- NO ice forming on cooling coil behind decorative front.</b>	Dirty air filter- air restricted. Clean air filter. Refer to Care and Cleaning section.
	Temperature is set too High, set temperature to a Lower setting.
	Air directional louvers positioned improperly. Position louvers for better air distribution.
	Front of units is blocked by drapes, blinds, furniture, etc. - restricts air distribution. Clear blockage in front of unit.
	Doors, windows, registers, etc. Open- cold air escapes. Close doors, windows, registers.
	Unit recently turned on in hot room. Allow additional time to remove Stored heat from walls, ceiling, floor and furniture.
<b>Noise when unit is cooling</b>	Air movement sound. This is normal . If too loud, set to a slower FAN setting.
	Window vibration - poor installation. Refer to installation instructions or check with installer.
<b>Water dripping OUTSIDE when unit is cooling.</b>	Improper installation. Tilt air conditioner slightly to the outside to allow water drainage. Refer to installation instructions - check with installer.
<b>Water dripping OUTSIDE when unit is cooling.</b>	Unit removing large quantity of moisture from humid room. This is normal during excessively humid days.
<b>Remote Sensing Deactivating Prematurely (Only remote models)</b>	Remote control not located within range. Place remote control within 20 feet and pointed in the general direction of the air conditioner unit.
	Remote control signal obstructed. Remove obstruction.
<b>Room too cold</b>	Set temperature too low. Increase set temperatur.

The design and specifications are subject to change without prior notice for product improvement. Consult with the sales agency or manufacturer for details. Any updates to the manual will be uploaded to the service website, please check for the latest version.

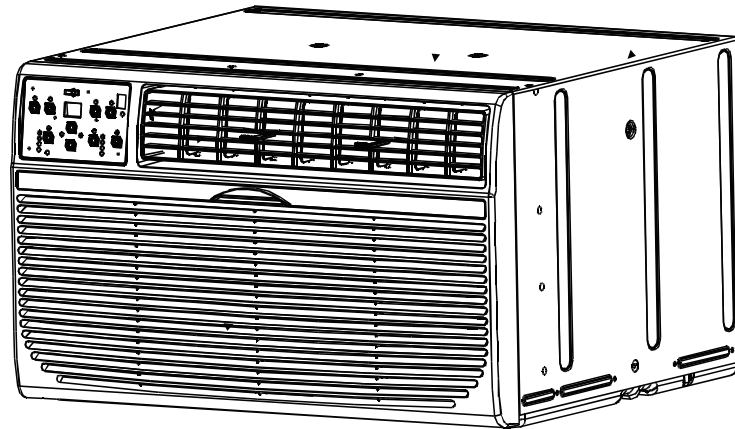


# Keystone®

AIRE ACONDICIONADO DE PARED

# Manual del propietario

ES



Modelo: KSTAT08-1E KSTAT14-2D  
KSTAT10-1E KSTAT08-1HD  
KSTAT10-2E KSTAT10-2HD  
KSTAT12-1E KSTAT12-2HD  
KSTAT12-2E KSTAT14-2HD

**NOTA IMPORTANTE:**



Antes de usar su aire acondicionado, lea cuidadosamente este manual y guárdelo para futuras referencias.

**Serie TTW**

✉ [keystonecs@keystone-products.com](mailto:keystonecs@keystone-products.com) | ☎ 800-849-1112





## ¡Registre su producto hoy!

¡Felicitaciones por su nuevo producto Keystone! Por favor, tómese unos minutos y siga el enlace o escanee el código QR a continuación para registrar su producto para que podamos activar garantías, enviar actualizaciones de productos, recomendaciones, ayudar a solucionar problemas, ofrecer consejos de mantenimiento y comunicar cualquier retiro de productos o advertencias de seguridad en caso de que ocurra alguno.

<https://keystone-products.com/register-your-product>



---

## Información de garantía

Su producto está protegido por esta garantía:

Su electrodoméstico está garantizado por Midea. Cualquier obligación de servicios y piezas bajo esta garantía debe ser realizada por Midea Consumer Services o un servicio autorizado de Midea.



**¡ATENCIÓN!**  
NUEVO  
PROPIETARIO  
DE PRODUCTO

Para contactar a un representante de servicio al cliente, llame a Midea sin costo.

**1-866-646-4332**



# CONTENIDO

Precauciones de seguridad .....	01
<b>Instrucciones de instalación</b>	
Qué hay en la caja .....	06
Antes de comenzar, instale .....	07
su producto. ....	10
<b>Instrucciones de operación</b>	
Conozca su aire acondicionado. ....	22
Conozca las características. ....	23
Limpieza y mantenimiento .....	27
Solución de problemas .....	28

# Precauciones de seguridad

Debe leer el mensaje de advertencia.

Encontrará muchos consejos útiles sobre cómo usar y mantener adecuadamente su aire acondicionado. Solo un poco de cuidado preventivo de su parte puede ahorrarle mucho tiempo y dinero durante la vida útil de su aire acondicionado. Encontrará muchas respuestas a problemas comunes en la tabla de consejos de solución de problemas. Si revisa nuestra tabla de Consejos de solución de problemas primero, es posible que no necesite llamar al servicio en absoluto.

Para evitar lesiones al usuario u otras personas y daños a la propiedad, se deben seguir las siguientes instrucciones. La operación incorrecta debido a la ignorancia de las instrucciones puede causar daño o lesiones. La gravedad se clasifica según las siguientes indicaciones.

## Explicación de los símbolos



### **ADVERTENCIA**

La palabra de señal indica un peligro con un nivel medio de riesgo que, si no se evita, puede resultar en muerte o lesiones graves.



### **PRECAUCIÓN**

La palabra de señal indica un peligro con un bajo grado de riesgo que, si no se evita, puede resultar en lesiones menores o moderadas.



### **NUNCA HAGA ESTO**

Esta señal indica que la operación rápida está prohibida. Si no se evita, puede resultar en daños al producto o lesiones.



### **SIEMPRE HAGA ESTO**

Esta señal significa que la operación se puede realizar.

## ADVERTENCIA

- Conecte correctamente el enchufe de alimentación. De lo contrario, puede causar choque eléctrico o incendio debido a la generación de calor excesivo. No opere ni detenga la unidad insertando o sacando el enchufe de alimentación. Puede causar choque eléctrico o incendio debido a la generación de calor. No dañe ni utilice un cable de alimentación no especificado. Puede causar choque eléctrico o incendio. Si el cable de alimentación está dañado, debe ser reemplazado por el fabricante o un centro de servicio autorizado o una persona igualmente calificada para evitar un peligro.
- Siempre instale un interruptor automático y un circuito de alimentación dedicado. La instalación incorrecta puede causar incendios y choques eléctricos. No opere con las manos mojadas o en un ambiente húmedo. Puede causar choque eléctrico. No dirija el flujo de aire solo hacia los ocupantes de la habitación. Esto podría dañar su salud.
- Siempre asegure una conexión a tierra efectiva. Una conexión a tierra incorrecta puede causar choque eléctrico. No permita que el agua corra hacia las partes eléctricas. Puede causar falla de la máquina o choque eléctrico. No modifique la longitud del cable de alimentación ni comparta el enchufe con otros electrodomésticos. Puede causar choque eléctrico o incendio debido a la generación de calor.
- Desenchufe la unidad si emite sonidos extraños, olores o humo. Puede causar incendios y choques eléctricos. No utilice el enchufe si está suelto o dañado. Puede causar incendios y choques eléctricos. No abra la unidad durante el funcionamiento. Puede causar choque eléctrico.
- Mantenga las armas de fuego alejadas. Puede causar incendios. No use el cable de alimentación cerca de aparatos de calefacción. Puede causar incendios y choques eléctricos. No use el cable de alimentación cerca de gases inflamables o combustibles, como gasolina, benceno, diluyente, etc. Puede causar una explosión o incendio.
- Ventile la habitación antes de operar el aire acondicionado si hay una fuga de gas de otro electrodoméstico. Puede causar explosión, incendio y quemaduras. No desmonte ni modifique la unidad. Puede causar fallas y choque eléctrico.

## PRECAUCIÓN

- Cuando se retire el filtro de aire, no toque las partes metálicas de la unidad. Puede causar una lesión. Ventile bien la habitación cuando se use junto con una estufa, etc. Puede producirse una escasez de oxígeno.
- No use detergentes fuertes como cera o diluyente, sino use un paño suave. La apariencia puede deteriorarse debido al cambio de color del producto o al rayado de su superficie. No limpie el aire acondicionado con agua. El agua puede entrar en la unidad y degradar el aislamiento. Puede causar un choque eléctrico. No lo use para fines especiales. No use este aire acondicionado para preservar dispositivos de precisión, alimentos, mascotas, plantas y objetos de arte. Puede causar deterioro de la calidad, etc.
- Detenga la operación y cierre la ventana en caso de tormenta o huracán. La operación con ventanas abiertas puede causar humedad en el interior y empapar los muebles del hogar. Cuando se vaya a limpiar la unidad, apague la unidad y desenchufe el cable de alimentación.
- No limpie la unidad cuando esté encendida, ya que puede causar un incendio y una descarga eléctrica, lo que puede causar una lesión.
- Siempre inserte los filtros de manera segura. Puede causar fallas si se opera sin filtros. Limpie el filtro una vez cada dos semanas, por favor.

## PRECAUCIÓN

- Sujete el enchufe por la cabeza al sacarlo. Puede provocar descargas eléctricas y daños. Apague el interruptor principal cuando no vaya a utilizar la unidad durante mucho tiempo. Puede provocar fallos en el producto o un incendio.
  - No coloque obstáculos alrededor de las entradas de aire o dentro de la salida de aire.
  - Puede causar fallas en el electrodoméstico o accidentes. No coloque objetos pesados sobre el cable de alimentación y asegúrese de que el cable no esté comprimido. Hay peligro de incendio o choque eléctrico. No beba agua drenada del aire acondicionado. Contiene contaminantes y podría enfermarlo.
  - Tenga cuidado al desempacar e instalar. Los bordes afilados podrían causar lesiones.
  - Si entra agua en el aparato, apáguelo en la toma de corriente y desconecte el disyuntor. ¡Separe el suministro desenchufando la clavija de alimentación y póngase en contacto con un técnico cualificado.
  - Este electrodoméstico no está destinado para ser utilizado por personas (incluyendo niños) con capacidades físicas, sensoriales o mentales reducidas o falta de experiencia y conocimiento.
- a menos que se les haya dado supervisión o instrucción sobre el uso del aparato por una persona responsable de su seguridad.
- Los niños deben ser supervisados para asegurarse de que no jueguen con el aparato.
  - Si el cable de alimentación está dañado, debe ser reemplazado por el fabricante, su agente de servicio o personas igualmente calificadas para evitar un peligro.
  - El aparato debe ser instalado de acuerdo con las regulaciones nacionales de cableado.
  - La instalación debe ser realizada por personal autorizado de acuerdo con los requisitos de NEC y CEC.
  - No opere su aire acondicionado en una habitación húmeda como un baño o lavandería.
  - El aparato con calentador eléctrico debe tener al menos 1 metro de espacio con los materiales combustibles.
  - Póngase en contacto con el técnico de servicio autorizado para la reparación o mantenimiento de esta unidad.
  - Póngase en contacto con el instalador autorizado para la instalación de esta unidad.

## NOTA

Este aire acondicionado está diseñado para funcionar en las siguientes condiciones:

Operación de enfriamiento	Temperatura exterior:	64-109°F/18-43°C (64-125°F/18-52°C para modelos tropicales especiales)
	Temperatura interior:	62-90°F/17-32°C
Operación de calefacción	Temperatura exterior:	23-76°F/-5-24°C
	Temperatura interior:	32-80°F/0-27°C

Nota: El rendimiento puede reducirse fuera de estas temperaturas de funcionamiento.

## Operación del dispositivo de corriente

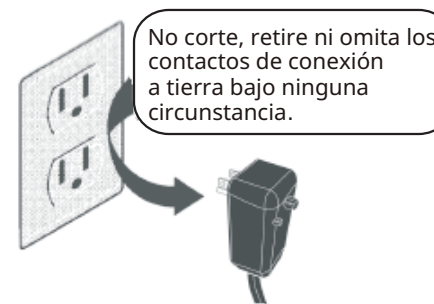
El cable de alimentación contiene un dispositivo de corriente que detecta daños en el cable de alimentación. Para probar su cable de alimentación, haga lo siguiente:

- Conecte el aire acondicionado.
- El cable de alimentación tendrá DOS botones en la cabeza del enchufe. Presione el botón de PRUEBA, notará un clic cuando el botón de RESET salga.
- Presione el botón de RESET nuevamente, notará un clic cuando el botón se enganche.
- El cable de alimentación ahora suministra electricidad a la unidad. (En algunos productos, esto también se indica mediante una luz en la cabeza del enchufe).

### NOTA

- El cable de alimentación de este aire acondicionado contiene un dispositivo de detección de corriente diseñado para reducir el riesgo de incendio. En caso de que el cable de alimentación esté dañado, no se puede reparar, debe ser reemplazado por un cable del fabricante del producto.
- No use este dispositivo para encender o apagar la unidad.
- Siempre asegúrese de que el botón RESET esté presionado para un correcto funcionamiento.
- El cable de alimentación debe ser reemplazado si no se restablece cuando se presiona el botón de PRUEBA o si no se puede restablecer. Se puede obtener uno nuevo del fabricante del producto.

### Receptáculo de pared tipo toma de tierra



Cable de alimentación con enchufe de tres clavijas de toma de tierra y dispositivo de detección de corriente.

### ADVERTENCIA

#### Información Eléctrica

La capacidad eléctrica completa de su nuevo aire acondicionado de pared se indica en la placa de serie. Consulte la capacidad cuando compruebe los requisitos eléctricos.

- Asegúrese de que el aire acondicionado esté correctamente conectado a tierra. Para minimizar los riesgos de choque eléctrico e incendio, es obligatorio conectar correctamente a tierra. El cable de alimentación está equipado con un enchufe de tres clavijas de toma de tierra para protección contra riesgos de choque eléctrico.
- Su aire acondicionado debe usarse en un receptáculo de pared correctamente conectado a tierra. Si el receptáculo de pared que desea utilizar no está adecuadamente conectado a tierra o protegido por un fusible de retardo o un interruptor automático, haga que un electricista cualificado instale el receptáculo adecuado. Asegúrese de que el receptáculo sea accesible después de la instalación de la unidad.
- No haga funcionar el aire acondicionado sin la cubierta protectora lateral en su lugar. Esto podría provocar daños mecánicos en el aire acondicionado.
- No use un cable de extensión ni un adaptador.

## ADVERTENCIA

Evite el riesgo de incendio o choque eléctrico. No use un cable de extensión o un adaptador. No retire ninguna clavija del cable de alimentación.

### Para su seguridad

No almacene ni use gasolina u otros vapores y líquidos inflamables en las cercanías de este o cualquier otro electrodoméstico.

### Prevenga accidentes

Para reducir el riesgo de incendio, choque eléctrico o lesiones a personas al usar su aire acondicionado, siga precauciones básicas, incluyendo las siguientes:

- Asegúrese de que el servicio eléctrico sea adecuado para el modelo que ha elegido. Esta información se puede encontrar en la placa de serie, que se encuentra en el lateral del gabinete y detrás de la rejilla.

- Asegúrese de que el aire acondicionado haya sido instalado de manera segura y correcta de acuerdo con las instrucciones de instalación en este manual. Guarde este manual para un posible uso futuro en la eliminación o instalación de esta unidad. Al manipular el aire acondicionado, tenga cuidado de evitar cortes de las aletas de metal afiladas en las bobinas delanteras y traseras.

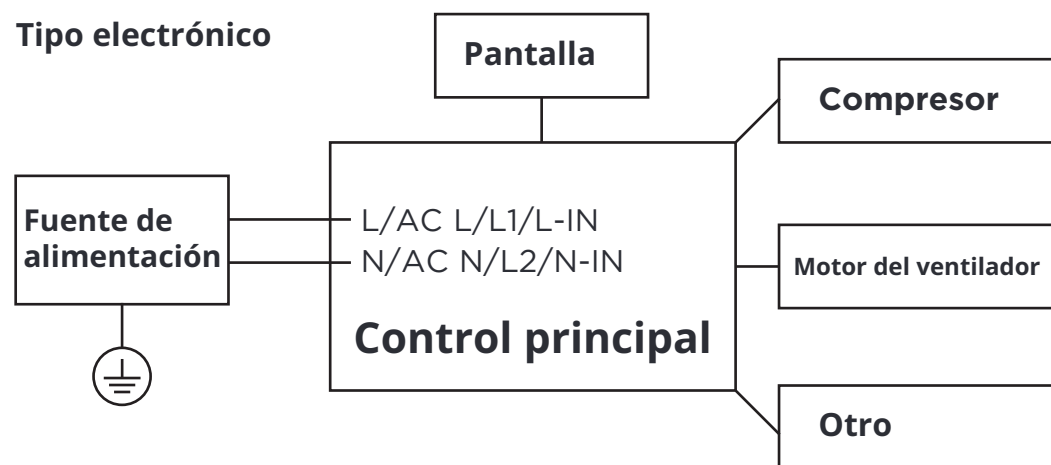
## Trabajo electrónico



### ADVERTENCIA:

ANTES DE REALIZAR CUALQUIER TRABAJO ELÉCTRICO O DE CABLEADO, APAGUE LA ENERGÍA PRINCIPAL DEL SISTEMA.

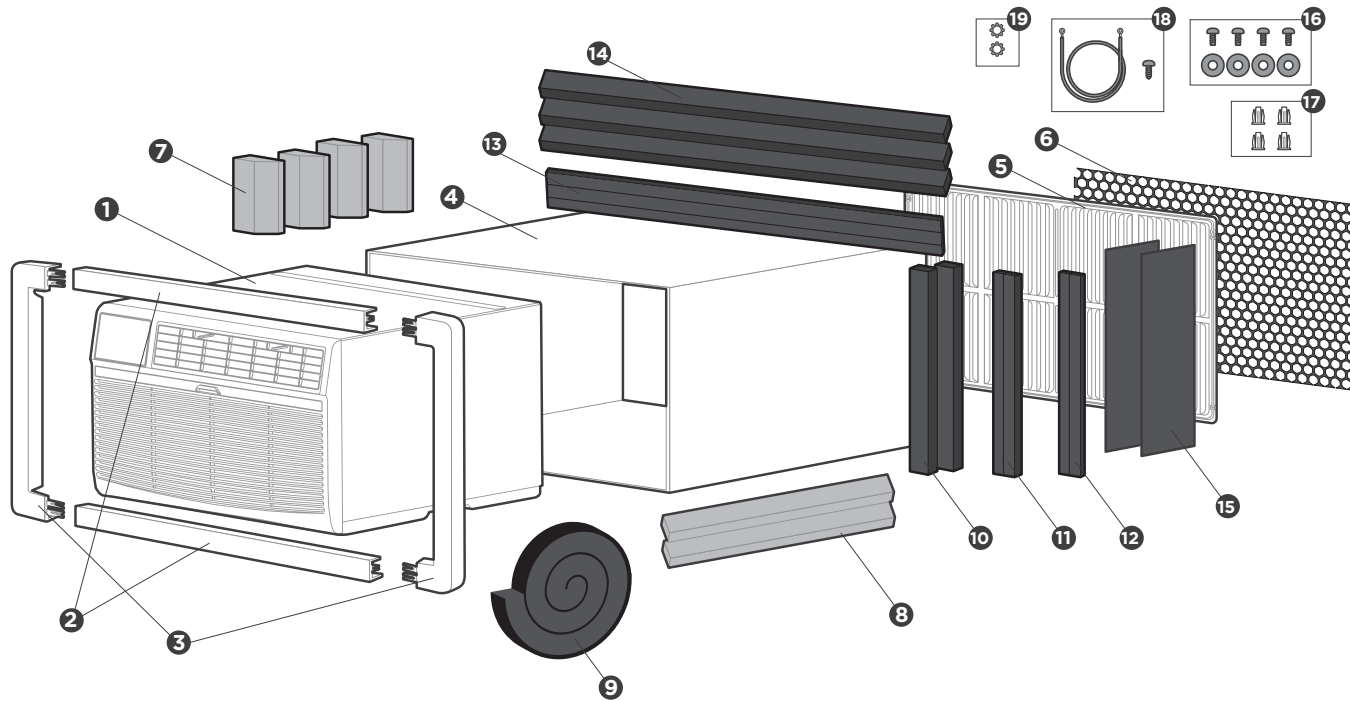
### Tipo electrónico



NOTA: Siga estrictamente la etiqueta de cableado adjunta a la máquina para todas las conexiones de cableado. El diagrama de cableado puede vary for different unit. Please refer to the wiring diagram on la máquina que ha comprado. El diagrama de cableado anterior es una versión simplificada solo para fines ilustrativos preliminares.

# Lo que hay en la caja.

## Contenido del paquete



- 1 Unidad de Aire Acondicionado
- 2 Marco de Recorte (patas superior e inferior)\*2
- 3 Marco de Recorte (patas laterales)\*2
- 4 Sleeve de Pared (se compra por separado)
- 5 Rejilla de Aluminio
- 6 Rejilla de Plástico (1/8"x4-1/2"x14-1/2")
- 7 Bloques de centrado / soporte (azul) \*4 (4-1/2"x3-1/2"x1-1/2")
- 8 Bloque espaciador cónico (azul)\*2 (7/8"x1-1/8"x17")
- 9 Relleno - sello \* 1 ( 1 " x1-1 / 2 " x84 " )
- 10 Sello\*2 (1"x1-1/2"x14")
- 11 Sello\*2 (1"x3/4"x14")
- 12 Sello\*2 (1"x3/8"x14")
- 13 Sello\*2 (1"x3/8"x25")
- 14 Sello\*3 (1"x1-1/2"x25")
- 15 Divisor de plástico\*2 (1/8"x4-1/2"x14-1/2")
- 16 Tornillo\*4 y Arandela de Tornillo\*4
- 17 Tuercas (plásticas)\*4
- 18 Cable de Tierra y Tornillo de Puesta a Tierra
- 19 Arandela Dentada para Tornillo de Puesta a Tierra

### Preparar las siguientes herramientas



Guantes



Destornillador



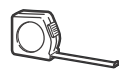
Lápiz



Tijeras y Cuchillo



Taladro



Regla o cinta métrica



Nivel

\*No Incluido

### ⚠ PRECAUCIÓN

- No corte ni retire bajo ninguna circunstancia la tercera clavija (de tierra) del cable de alimentación.
- No cambie el enchufe del cable de alimentación del aire acondicionado.
- El cableado de aluminio de la casa puede presentar problemas especiales - consulte a un electricista calificado.
- Al manipular la unidad, tenga cuidado de evitar cortes de bordes metálicos afilados y aletas de aluminio en las bobinas delanteras y traseras.
- Tenga dos o más personas para mover e instalar la unidad.

# Antes de comenzar.



La instalación debe llevarse a cabo estrictamente de acuerdo con las instrucciones en este manual.



La instalación de su AC debería tomar alrededor de 60 minutos.



Recomendamos hacer esto con la ayuda de otra persona.



Estamos aquí si nos necesita, por favor contacte a su distribuidor local para obtener ayuda.

## Preparativos antes de la instalación

### NOTA

Guarde la caja y estas instrucciones de instalación para referencia futura. La caja es la mejor manera de almacenar la unidad durante el invierno o cuando no esté en uso.

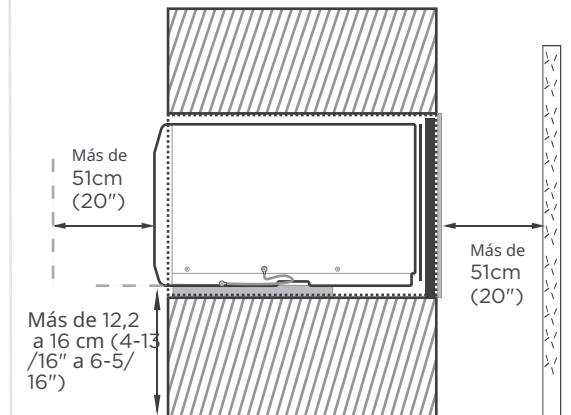
## ! Confirme los requisitos de ubicación de instalación y las dimensiones del sleeve de pared.

- Las dimensiones del aire acondicionado son: 24" de ancho, 14" de alto y 18" de profundidad (sin panel frontal). Instale el aire acondicionado de acuerdo con estas instrucciones de instalación para lograr el mejor rendimiento.
- Confirme el tamaño del sleeve de pared de acuerdo con su agujero en la pared, identifique la marca del sleeve de pared para su instalación, a partir de la tabla a continuación.

Según la profundidad de la cubierta de pared, Hemos dividido la instalación en 9 categorías. Tenga en cuenta que la cubierta de pared de la misma marca también pueden tener diferentes profundidades. Por favor, instale de acuerdo con la profundidad.

Tipo	Marca	Profundidad
#1	Emerson	15"
#2	Fedders	19-3/4"
#3	Fedders/ Friedrich	16-3/4"
#4	General Electric/ Hotpoint	16-3/8"
#5	Sears/ Carrier(Serie 51S)	18-5/8"
#6	Whirlpool	17-1/8"
#7	Whirlpool	23"
#8	White-Westinghouse/ Frigidaire/ Carrier(Serie 52F)	16/17-1/2"
#9	White-Westinghouse/ Frigidaire	22"

Para que el electrodoméstico funcione mejor, no coloque una barrera en la salida de aire y seleccione la ubicación de instalación del producto de acuerdo con los requisitos en la siguiente figura.

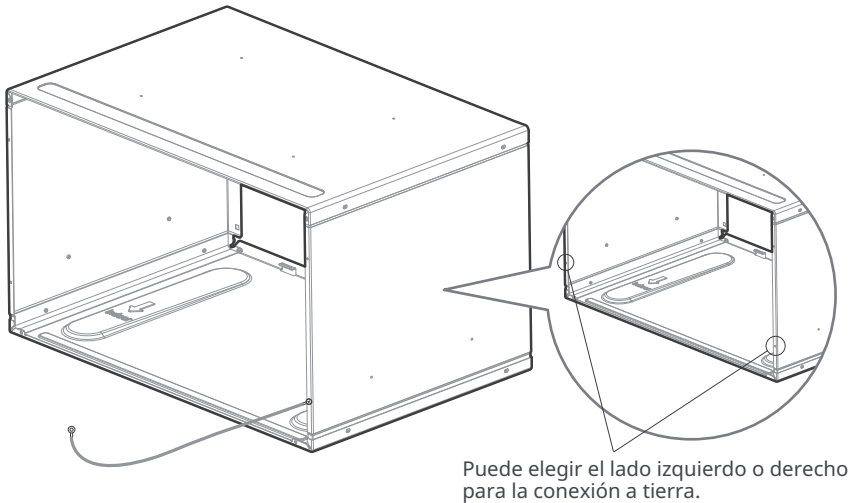


Vista lateral

# Complete la instalación de la Sleeve de pared. Preparativos antes de la instalación de la unidad

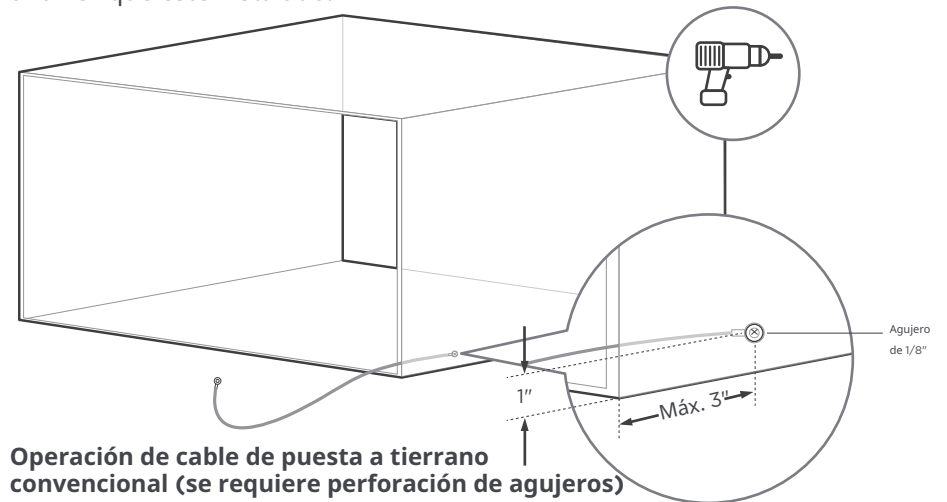
## Instale la sleeve de pared y haga la conexión a tierra

- Retire el viejo Aire Acondicionado de la sleeve de pared y prepare la sleeve de pared (si la hay). Limpie el interior (sin perturbar los sellos).
- Debajo de la parte frontal de la cubierta de pared, hay dos agujeros de 1/8" para la operación de tierra. Utilice el Cable de Tierra y el Tornillo de Tierra (No. 18), y la Arandela Dentada (No. 19) en la bolsa de ajuste para la instalación de tierra.



### Operación de tierra normal

- Si no hay un agujero de instalación para el cable de tierra, taladre un agujero de 1/8" para el tornillo de tierra a través del lado izquierdo del sleeve de pared, en un área clara a unos 3" máximo de la parte frontal del sleeve, utilizando el tornillo de tierra y la arandela dentada. Tire del extremo suelto del cable de tierra hacia la parte frontal del sleeve, y dóblelo temporalmente hacia abajo y alrededor del borde inferior del sleeve. Este cable de tierra se conectará más tarde al marco del aire acondicionado una vez que esté instalado.



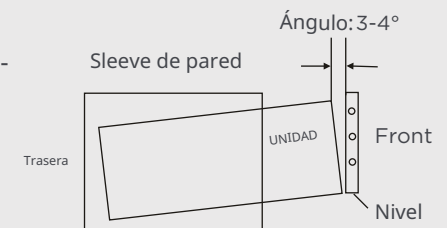
### Operación de cable de puesta a tierra convencional (se requiere perforación de agujeros)

- El sleeve de pared debe estar firmemente asegurado en la pared antes de instalar el aire acondicionado. Si es necesario, conduzca más clavos o tornillos a través del sleeve, en la pared (repare la pintura si es necesario).

### PRECAUCIÓN:

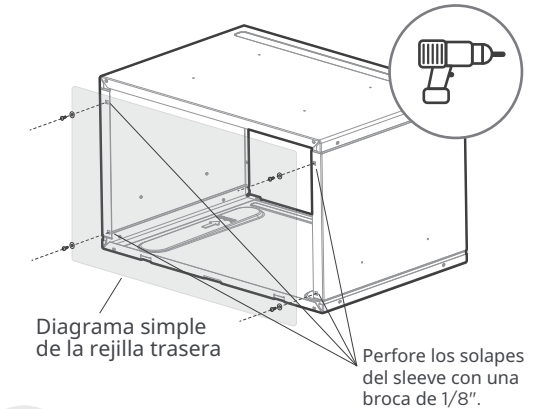
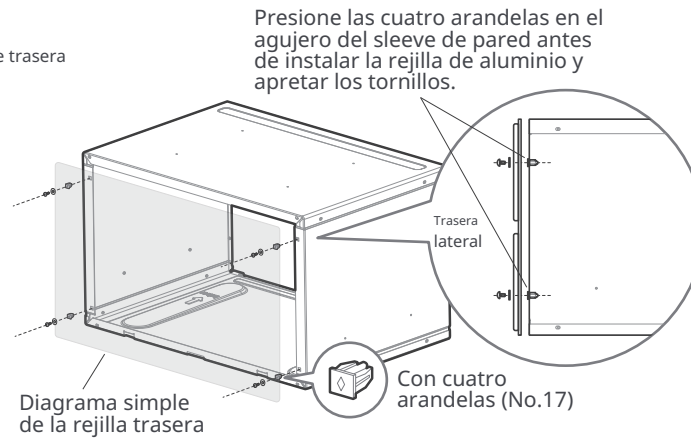
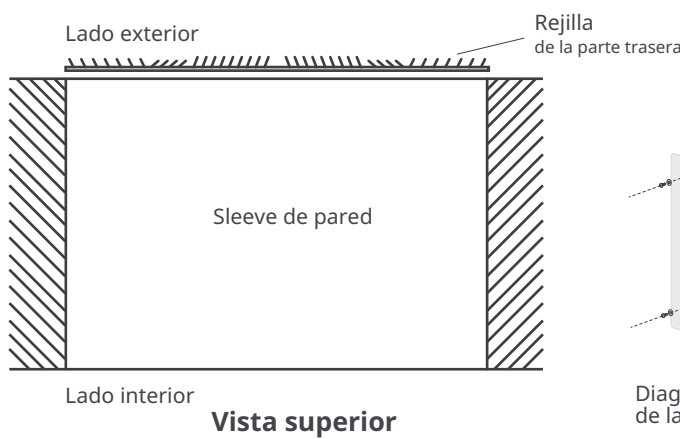


- Todas las sleeves de pared utilizadas para montar el nuevo Aire Acondicionado deben estar en buenas condiciones estructurales y tener una rejilla trasera que se ajuste de forma segura a la sleeve, o un reborde trasero que sirva como tope para el Aire Acondicionado.
- Cuando la instalación esté completa, la unidad de reemplazo DEBE tener una inclinación hacia atrás como se muestra.
- No utilice tornillos que no sean los especificados aquí.



### NOTA

Tenemos un nuevo diseño para la rejilla trasera (dos entradas de aire traseras) para mejorar el rendimiento del producto. Asegúrese de utilizar la rejilla de aluminio que proporcionamos para la instalación para lograr el mejor rendimiento del producto. La mayoría de las rejillas exteriores decorativas pueden dejarse en su lugar siempre y cuando se instale la rejilla de dirección de aire interior adecuada.



**1**

## Confirmación de posición de instalación.

- Retire la rejilla existente.
- Coloque la rejilla incluida con el nuevo aire acondicionado hacia la parte trasera de la manga.

**2**

## Instale la rejilla de aluminio. (con manga de pared normal)

- Fije la nueva rejilla con tornillos autorroscantes y arandelas.

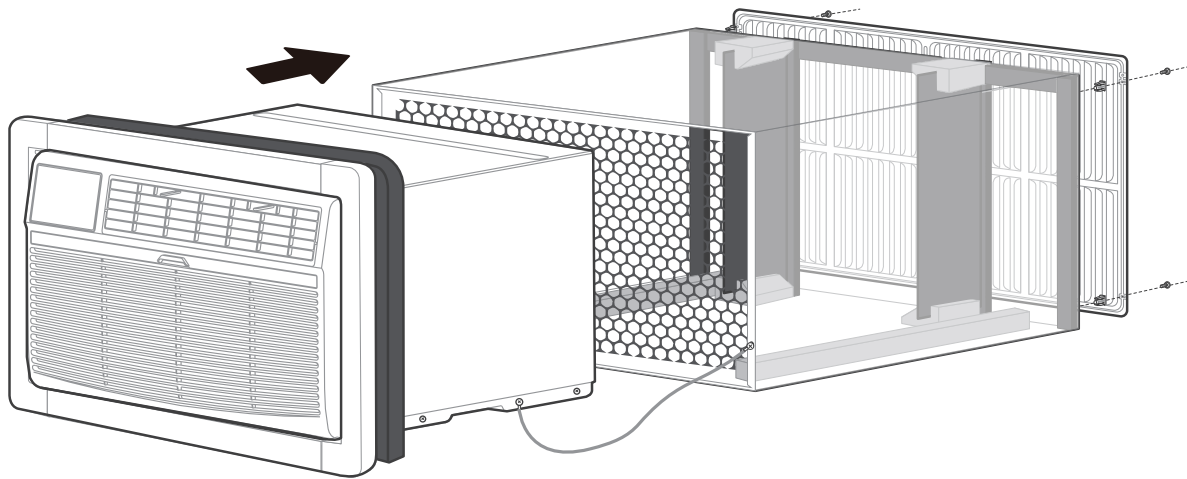
**3**

## Instale la rejilla de aluminio. (con manga de pared no convencional)

- Marque las posiciones de los agujeros.
- Perfore las bridas de las mangas con una broca de 1/8\"
- Fije la nueva rejilla con tornillos autorroscantes y arandelas.

# Instale su producto.

## #9 White Westinghouse o Frigidaire, por ejemplo



### NOTA

Las ilustraciones en este manual son solo para fines explicativos. La forma real de su unidad interior puede ser ligeramente diferente. La forma real prevalecerá.



### IMPORTANT

Guarde estas instrucciones para el uso de los inspectores locales. Cumpla con todos los códigos y ordenanzas gubernamentales. La instalación adecuada es responsabilidad del instalador. La falla del producto debido a una instalación incorrecta no está cubierta por la garantía.

Proporcionaremos nueve métodos de instalación, elija uno de los métodos de instalación correspondientes (siga las instrucciones en la página 7 para determinar el tipo) para finalizar la instalación.

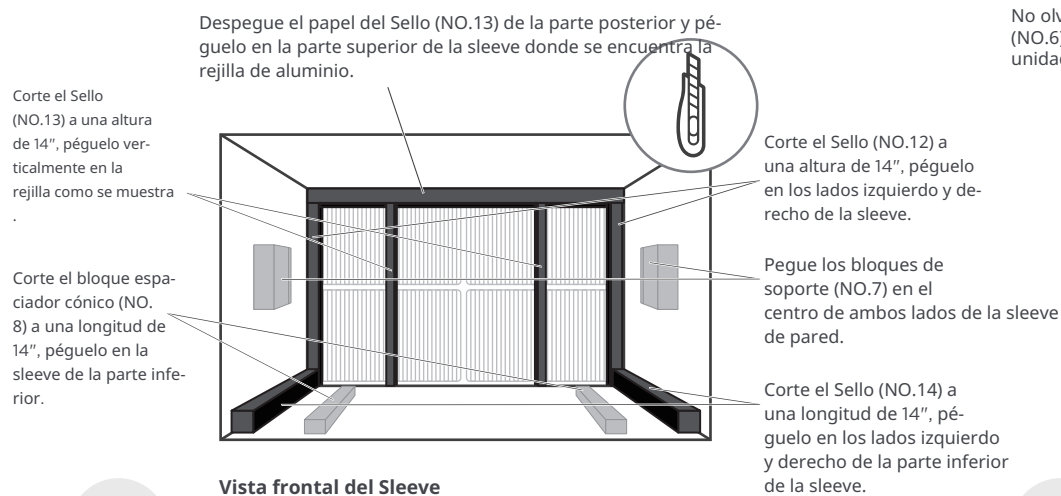
Si tiene dificultades  
Para montar la rejilla en el sleeve, siga las instrucciones para montaje directo en la página 20.

# #1 Emerson (15" Profundo)

## NOTA

Complete el primer paso de instalación de acuerdo con la guía de instalación de la cubierta de pared (página 8) y la guía de instalación de la rejilla de aluminio (página 9).

### Guía de instalación antes de empotrar el producto en la pared

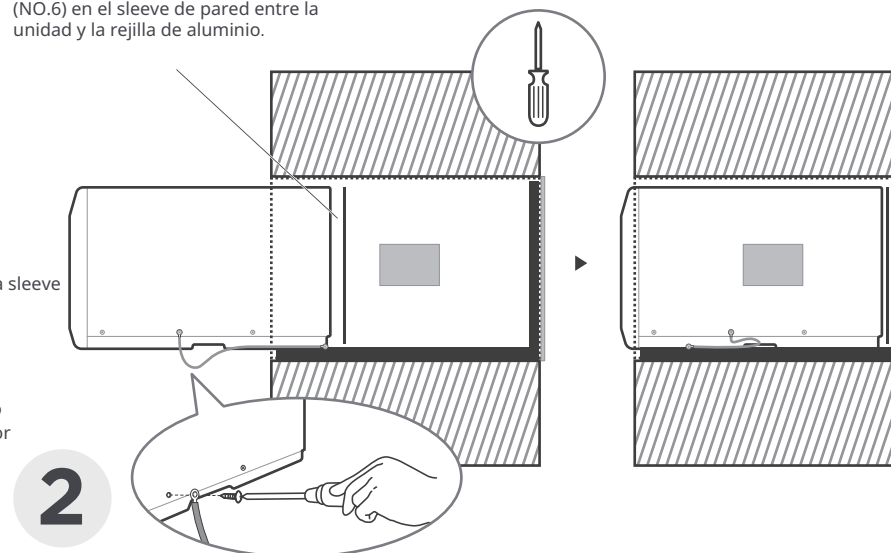


1

### Pegue el sello fijo de acuerdo con la figura e instrucciones anteriores.

Los sellos y bloques mostrados arriba están todos respaldados con pegamento. Necesita rasgar el papel para pegar y fijar durante la instalación. Por favor, tenga cuidado al cortar.

No olvide colocar la rejilla de plástico (NO.6) en el sleeve de pared entre la unidad y la rejilla de aluminio.



### Conexión a tierra completa y sleeve de pared empotrado del producto.

Saque el extremo no conectado del cable de tierra en el sleeve de pared, luego empotre la unidad en el sleeve de pared, como se muestra y luego sostenga. Use un destornillador para desenroscar el segundo tornillo debajo de la unidad y apriete la conexión del cable de tierra (Asegúrese de que la arandela dentada esté contra el gabinete).

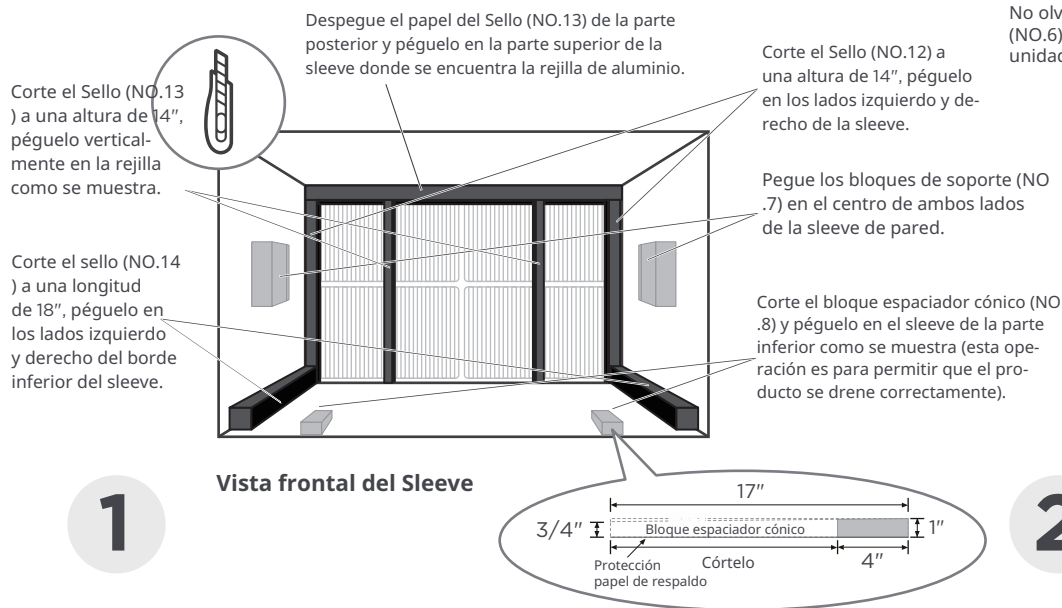
Deslice la unidad completamente hacia atrás para asegurar un buen sellado, asegurándose de que el cable de tierra no se enrede.

# #2 Fedders (19-3/4" Profundo)

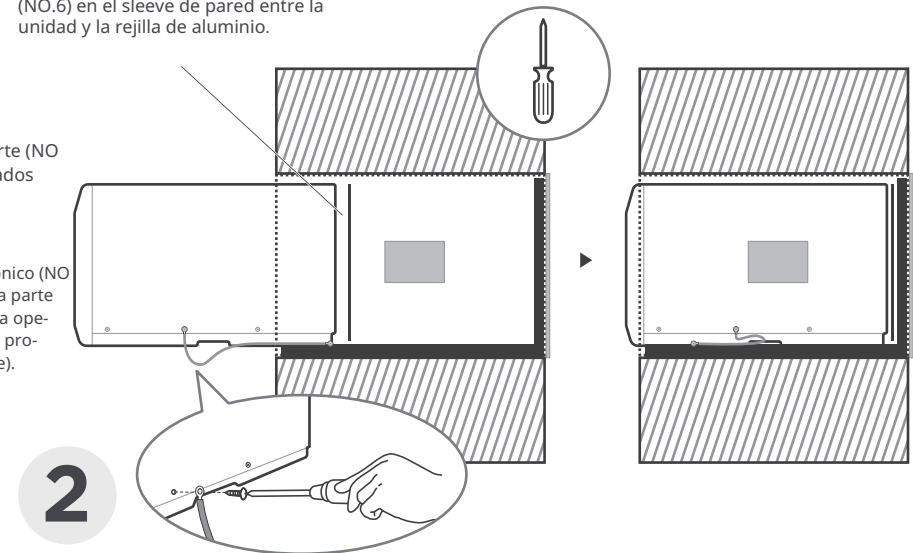
## NOTA

Complete el primer paso de instalación de acuerdo con la guía de instalación de la cubierta de pared (página 8) y la guía de instalación de la rejilla de aluminio (página 9).

### Guía de instalación antes de empotrar el producto en la pared



No olvide colocar la rejilla de plástico (NO.6) en el sleeve de pared entre la unidad y la rejilla de aluminio.



### Pegue el sello fijo según la figura e instrucciones anteriores

Los sellos y bloques mostrados arriba están todos respaldados con pegamento. Necesita rasgar el papel para pegar y fijar durante la instalación. Por favor, tenga cuidado al cortar.

### Conexión a tierra completa y sleeve de pared empotrado del producto.

Saque el extremo no conectado del cable de tierra en el sleeve de pared, luego empotre la unidad en el sleeve de pared, como se muestra y luego sostenga. Use un destornillador para desenroscar el segundo tornillo debajo de la unidad y apriete la conexión del cable de tierra (Asegúrese de que la arandela dentada esté contra el gabinete).

Deslice la unidad completamente hacia atrás para asegurar un buen sellado, asegurándose de que el cable de tierra no se enrede.

# #3 Fedders o Friedrich (16-3/4" Profundo)

## NOTA

Complete el primer paso de instalación de acuerdo con la guía de instalación de la cubierta de pared (página 8) y la guía de instalación de la rejilla de aluminio (página 9).

### Guía de instalación antes de empotrar el producto en la pared

Despegue el papel del Sello (NO.13) de la parte posterior y péguelo en la parte superior de la sleeve donde se encuentra la rejilla de aluminio.

Corte el Sello (NO.12) a una altura de 14", péguelo en los lados izquierdo y derecho de la sleeve.

Pegue los bloques de soporte (NO .7) en el centro de ambos lados de la sleeve de pared.

Corte el Sello (NO.13) a una altura de 14", péguelo verticalmente en la rejilla como se muestra.

Corte el sello (NO.14) a una longitud de 15", péguelo en los lados izquierdo y derecho del borde inferior del sleeve.

Corte el Bloque Espaciador Cónico (NO.8), y péguelo en la manga inferior como se muestra (Esta operación es para permitir que el producto drene correctamente).

No olvide colocar la rejilla de plástico (NO.6) en el sleeve de pared entre la unidad y la rejilla de aluminio.

**1** Vista frontal del Sleeve

Córtelo 17"

3/4" 1"

Bloque espaciador cónico

2" 12-1/2" 2-1/2"

Protección papel de respaldo

**2**

## Pegue el sello fijo según la figura e instrucciones anteriores

Los sellos y bloques mostrados arriba están todos respaldados con pegamento. Necesita rasgar el papel para pegar y fijar durante la instalación. Por favor, tenga cuidado al cortar.

## Conexión a tierra completa y sleeve de pared empotrado del producto.

Saque el extremo no conectado del cable de tierra en el sleeve de pared, luego empotre la unidad en el sleeve de pared, como se muestra y luego sostenga . Use un destornillador para desenroscar el segundo tornillo debajo de la unidad y apriete la conexión del cable de tierra (Asegúrese de que la arandela dentada esté contra el gabinete).

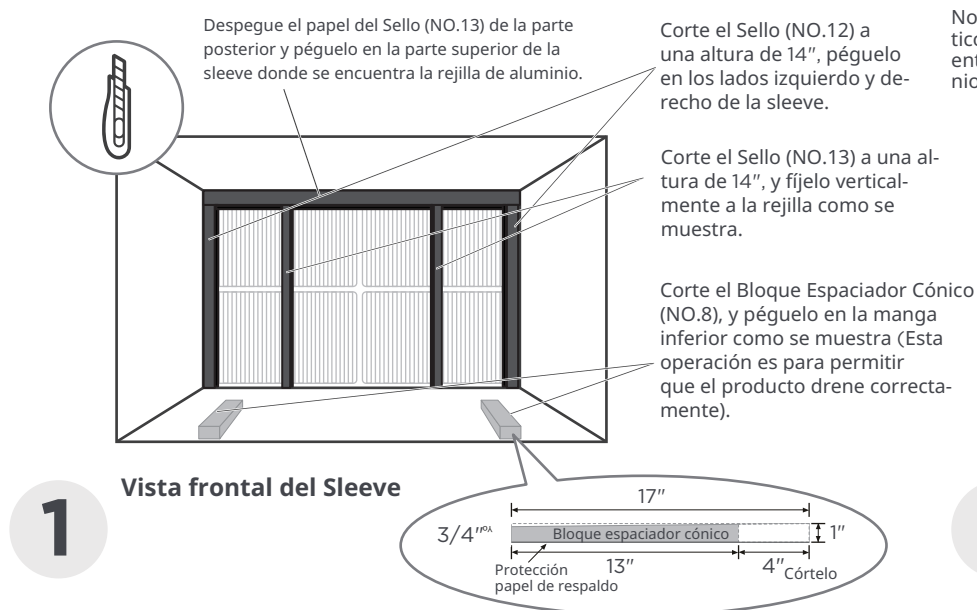
Deslice la unidad completamente hacia atrás para asegurar un buen sellado, asegurándose de que el cable de tierra no se enrede.

# #4 General Electra/Hotpoint (16-7/8" Profundo)

## NOTA

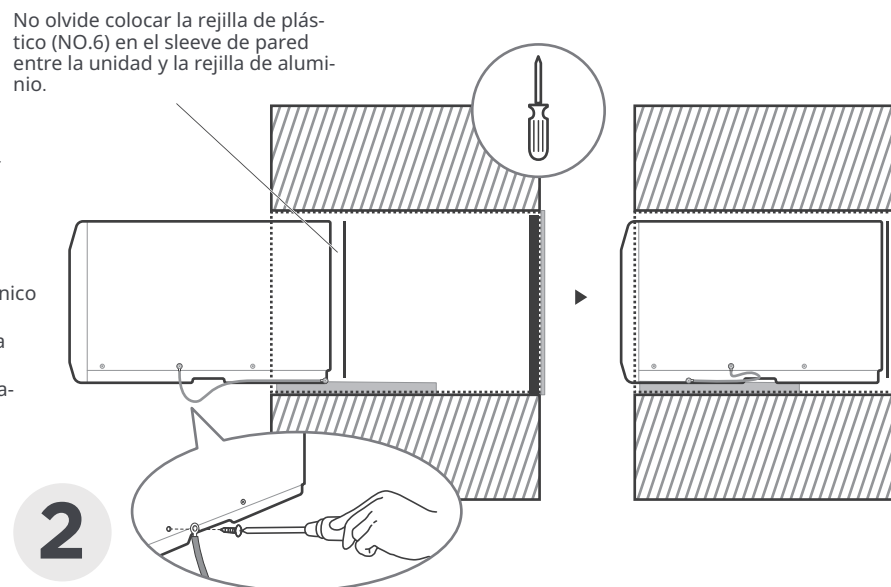
Complete el primer paso de instalación de acuerdo con la guía de instalación de la cubierta de pared (página 8) y la guía de instalación de la rejilla de aluminio (página 9).

### Guía de instalación antes de empotrar el producto en la pared



### Pegue el sello fijo según la figura e instrucciones anteriores.

Los sellos y bloques mostrados arriba están todos respaldados con pegamento. Necesita rasgar el papel para pegar y fijar durante la instalación. Por favor, tenga cuidado al cortar.



### Conexión a tierra completa y sleeve de pared empotrado del producto.

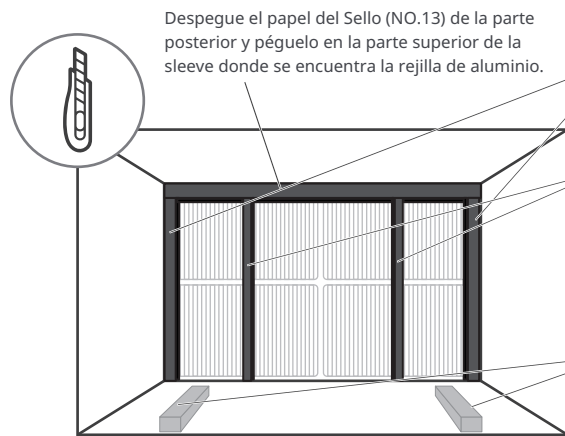
Saque el extremo no conectado del cable de tierra en el sleeve de pared, luego empotre la unidad en el sleeve de pared, como se muestra y luego sostenga. Use un destornillador para desenroscar el segundo tornillo debajo de la unidad y apriete la conexión del cable de tierra (Asegúrese de que la arandela dentada esté contra el gabinete).

Deslice la unidad completamente hacia atrás para asegurar un buen sellado, asegurándose de que el cable de tierra no se enrede.

## NOTA

Complete el primer paso de instalación de acuerdo con la guía de instalación de la cubierta de pared (página 8) y la guía de instalación de la rejilla de aluminio (página 9).

### Guía de instalación antes de empotrar el producto en la pared



Despegue el papel del Sello (NO.13) de la parte posterior y péguelo en la parte superior de la sleeve donde se encuentra la rejilla de aluminio.

Corte el Sello (NO.12) a una altura de 15", y péguelo en los lados izquierdo y derecho de la manga.

Corte el Sello (NO.13) a una altura de 15", y fíjelo verticalmente a la rejilla como se muestra.

Pegue el Bloque Espaciador Cónico (NO.8) en la manga inferior como se muestra (Esta operación es para permitir que el producto drene correctamente).

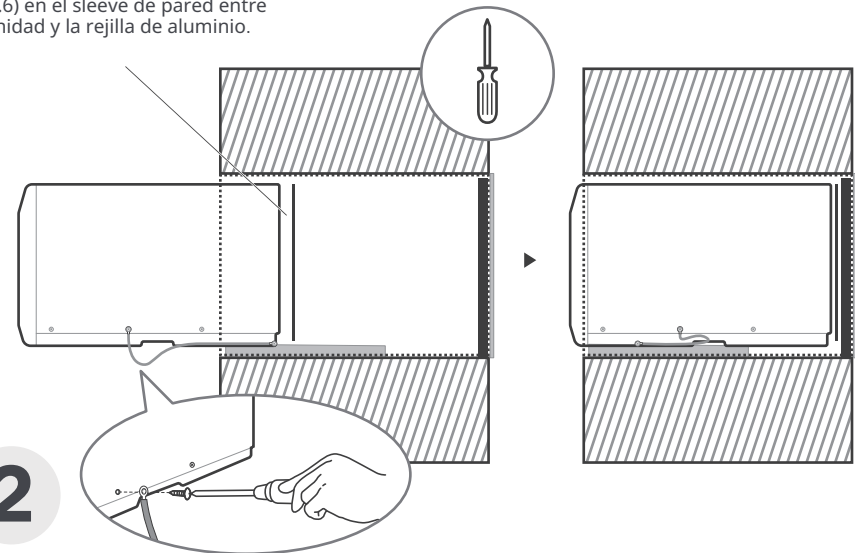
Vista frontal del Sleeve

1

**Pegue el sello fijo según la figura e instrucciones anteriores.**

Los sellos y bloques mostrados arriba están todos respaldados con pegamento. Necesita rasgar el papel para pegar y fijar durante la instalación. Por favor, tenga cuidado al cortar.

No olvide colocar la rejilla de plástico (NO.6) en el sleeve de pared entre la unidad y la rejilla de aluminio.



2

**Conexión a tierra completa y sleeve de pared empotrado del producto.**

Saque el extremo no conectado del cable de tierra en el sleeve de pared, luego empotre la unidad en el sleeve de pared, como se muestra y luego sostenga. Use un destornillador para desenroscar el segundo tornillo debajo de la unidad y apriete la conexión del cable de tierra (Asegúrese de que la arandela dentada esté contra el gabinete).

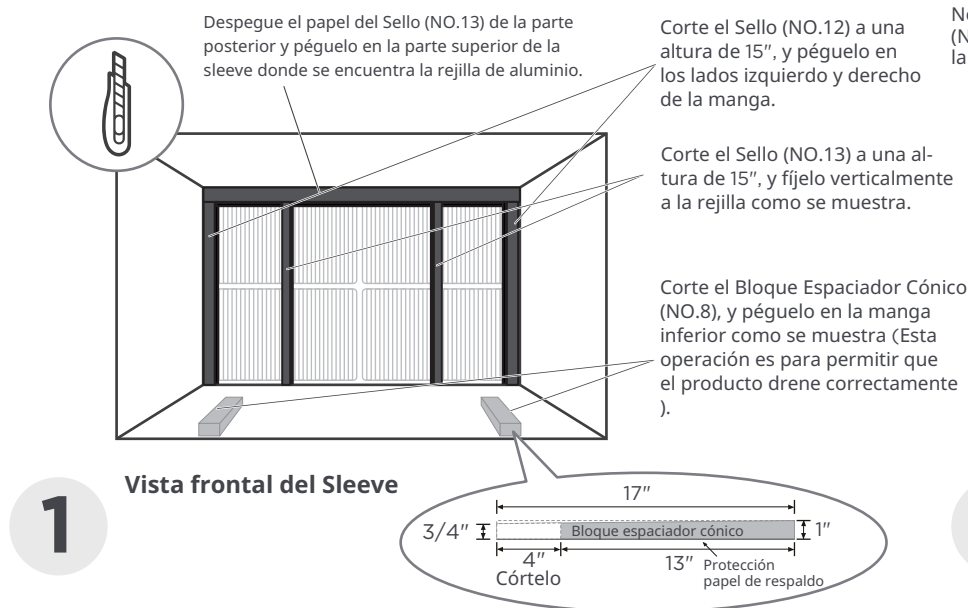
Deslice la unidad completamente hacia atrás para asegurar un buen sellado, asegurándose de que el cable de tierra no se enrede.

# #6 Whirlpool (17-1/8" Profundo)

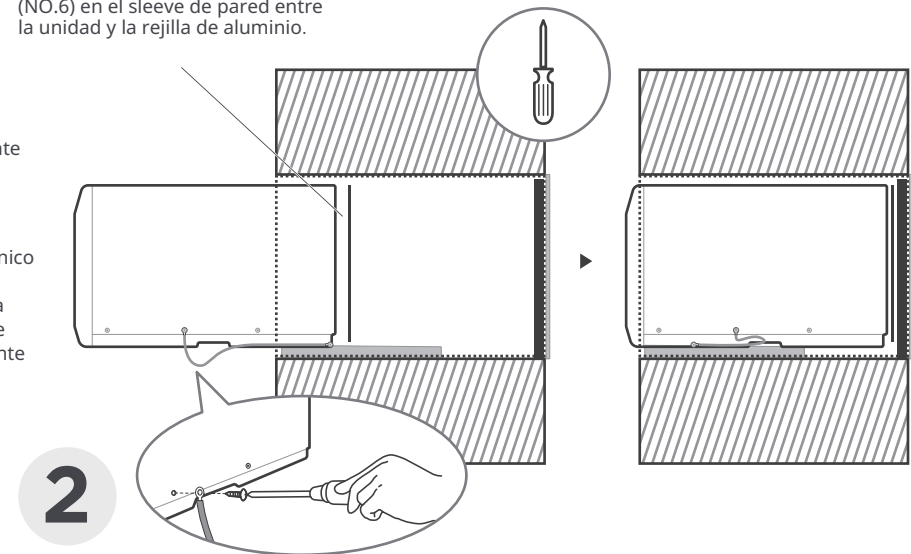
## NOTA

Complete el primer paso de instalación de acuerdo con la guía de instalación de la cubierta de pared (página 8) y la guía de instalación de la rejilla de aluminio (página 9).

### Guía de instalación antes de empotrar el producto en la pared



No olvide colocar la rejilla de plástico (NO.6) en el sleeve de pared entre la unidad y la rejilla de aluminio.



### Pegue el sello fijo según la figura e instrucciones anteriores.

Los sellos y bloques mostrados arriba están todos respaldados con pegamento. Necesita rasgar el papel para pegar y fijar durante la instalación. Por favor, tenga cuidado al cortar.

### Conexión a tierra completa y sleeve de pared empotrado del producto.

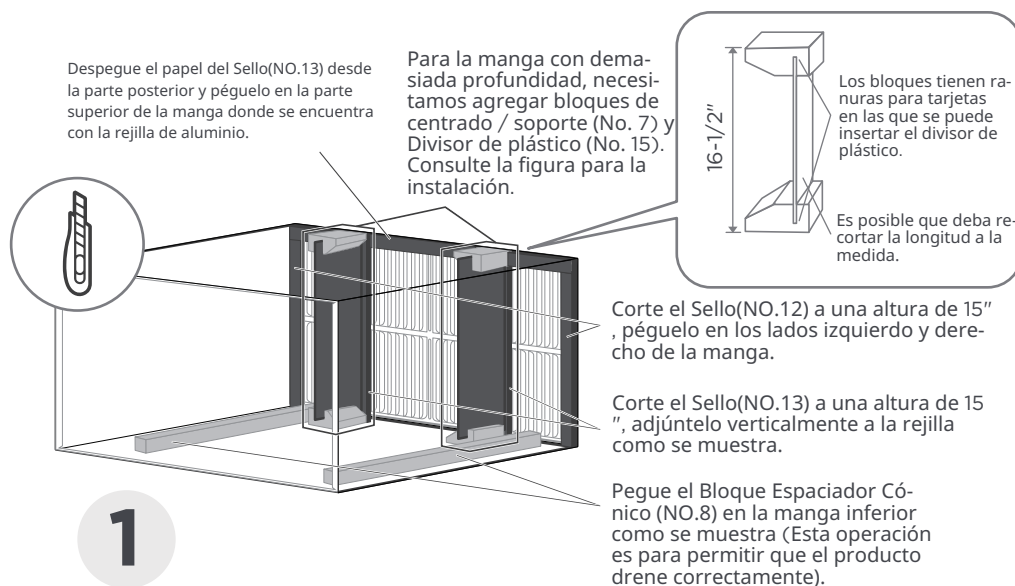
Saque el extremo no conectado del cable de tierra en el sleeve de pared, luego empotre la unidad en el sleeve de pared, como se muestra y luego sostenga. Use un destornillador para desenroscar el segundo tornillo debajo de la unidad y apriete la conexión del cable de tierra (Asegúrese de que la arandela dentada esté contra el gabinete).

Deslice la unidad completamente hacia atrás para asegurar un buen sellado, asegurándose de que el cable de tierra no se enrede.

### NOTA

Complete el primer paso de instalación de acuerdo con la guía de instalación de la cubierta de pared (página 8) y la guía de instalación de la rejilla de aluminio (página 9).

## Guía de instalación antes de empotrar el producto en la pared

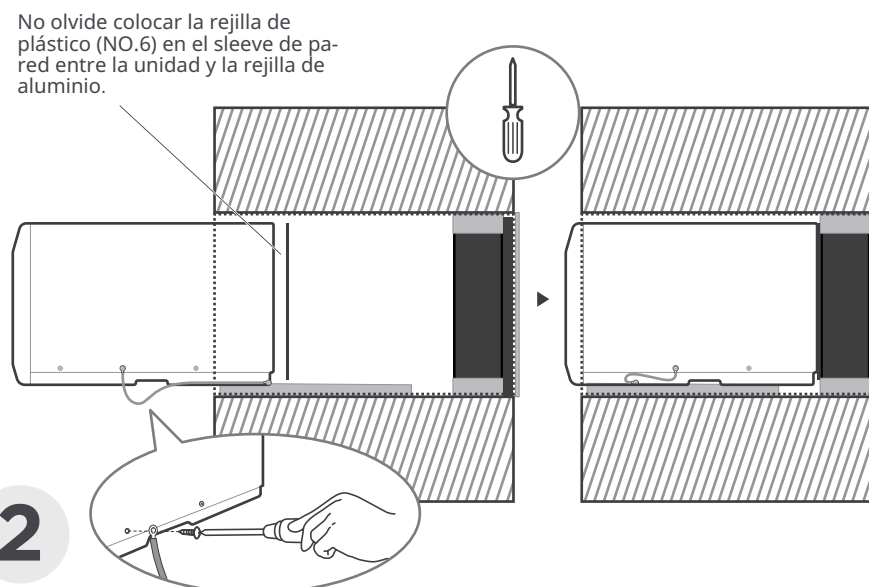


### Pegue el sello fijo según la figura e instrucciones anteriores.

Los sellos y bloques mostrados arriba están todos respaldados con pegamento. Necesita rasgar el papel para pegar y fijar durante la instalación. Por favor, tenga cuidado al cortar.

NOTA : Hay dos beneficios al agregar la partición trasera de plástico:

1. Entrada de aire efectiva Intervalo de salida de aire entre las rejillas de entrada y salida en la parte trasera de la unidad para mejorar la eficiencia de entrada y salida de aire
2. Juega el papel de unidad estabilizadora en condiciones de trabajo del producto.



### Conexión a tierra completa y sleeve de pared empotrado del producto.

Saque el extremo no conectado del cable de tierra en el sleeve de pared, luego empotre la unidad en el sleeve de pared, como se muestra y luego sostenga . Use un destornillador para desenroscar el segundo tornillo debajo de la unidad y apriete la conexión del cable de tierra (Asegúrese de que la arandela dentada esté contra el gabinete).

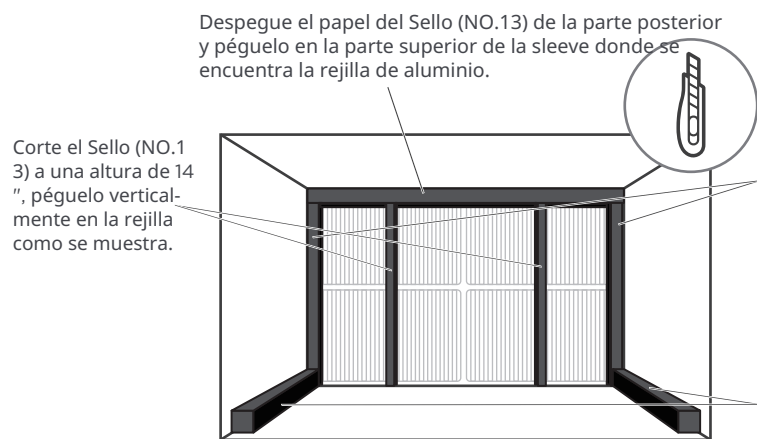
Deslice la unidad completamente hacia atrás para asegurar un buen sellado, asegurándose de que el cable de tierra no se enrede.

# #8 White Westinghouse/Frigidaire/ Carrier52F (16/17-1/2" Profundo)

## NOTA

Complete el primer paso de instalación de acuerdo con la guía de instalación de la cubierta de pared (página 8) y la guía de instalación de la rejilla de aluminio (página 9).

### Guía de instalación antes de empotrar el producto en la pared



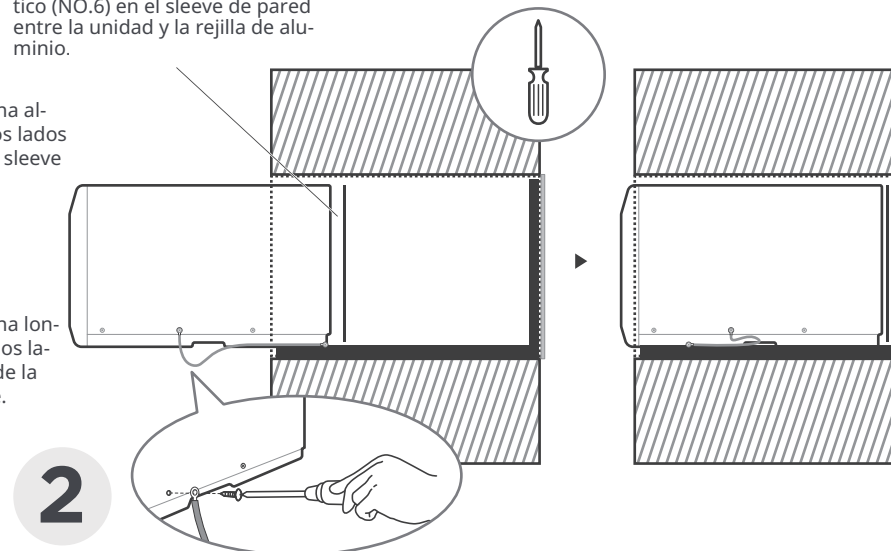
Vista frontal del Sleeve

1

**Pegue el sello fijo de acuerdo con la figura e instrucciones anteriores.**

Los sellos y bloques mostrados arriba están todos respaldados con pegamento. Necesita rasgar el papel para pegar y fijar durante la instalación. Por favor, tenga cuidado al cortar.

No olvide colocar la rejilla de plástico (NO.6) en el sleeve de pared entre la unidad y la rejilla de aluminio.



**Conexión a tierra completa y sleeve de pared empotrado del producto.**

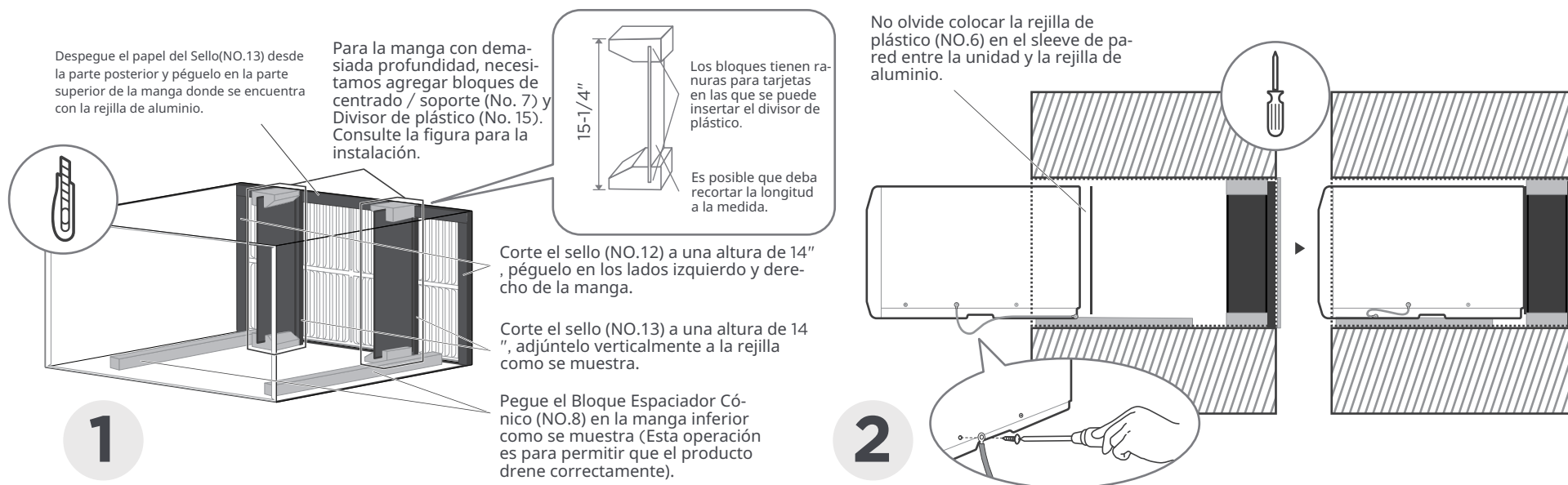
Saque el extremo no conectado del cable de tierra en el sleeve de pared, luego empotre la unidad en el sleeve de pared, como se muestra y luego sostenga. Use un destornillador para desenroscar el segundo tornillo debajo de la unidad y apriete la conexión del cable de tierra (Asegúrese de que la arandela dentada esté contra el gabinete).

Deslice la unidad completamente hacia atrás para asegurar un buen sellado, asegurándose de que el cable de tierra no se enrede.

## NOTA

Complete el primer paso de instalación de acuerdo con la guía de instalación de la cubierta de pared (página 8) y la guía de instalación de la rejilla de aluminio (página 9).

## Guía de instalación antes de empotrar el producto en la pared



## Pegue el sello fijo según la figura e instrucciones anteriores.

Los sellos y bloques mostrados arriba están todos respaldados con pegamento. Necesita rasgar el papel para pegar y fijar durante la instalación. Por favor, tenga cuidado al cortar.

NOTA : Hay dos beneficios al agregar la partición trasera de plástico:

1. Entrada de aire efectiva Intervalo de salida de aire entre las rejillas de entrada y salida en la parte trasera de la unidad para mejorar la eficiencia de entrada y salida de aire
2. Juega el papel de unidad estabilizadora en condiciones de trabajo del producto.

## Conexión a tierra completa y sleeve de pared empotrado del producto.

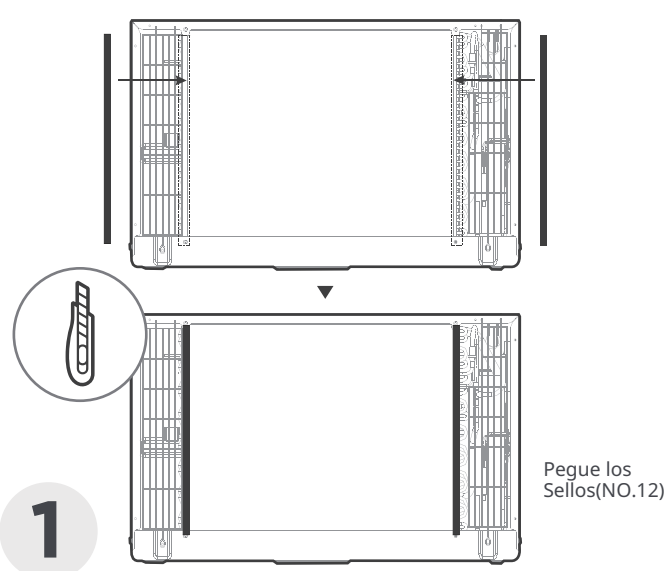
Saque el extremo no conectado del cable de tierra en el sleeve de pared, luego empotre la unidad en el sleeve de pared, como se muestra y luego sostenga . Use un destornillador para desenroscar el segundo tornillo debajo de la unidad y apriete la conexión del cable de tierra (Asegúrese de que la arandela dentada esté contra el gabinete).

Deslice la unidad completamente hacia atrás para asegurar un buen sellado, asegurándose de que el cable de tierra no se enrede.

# Puede instalar la rejilla de aluminio primero.

## NOTA

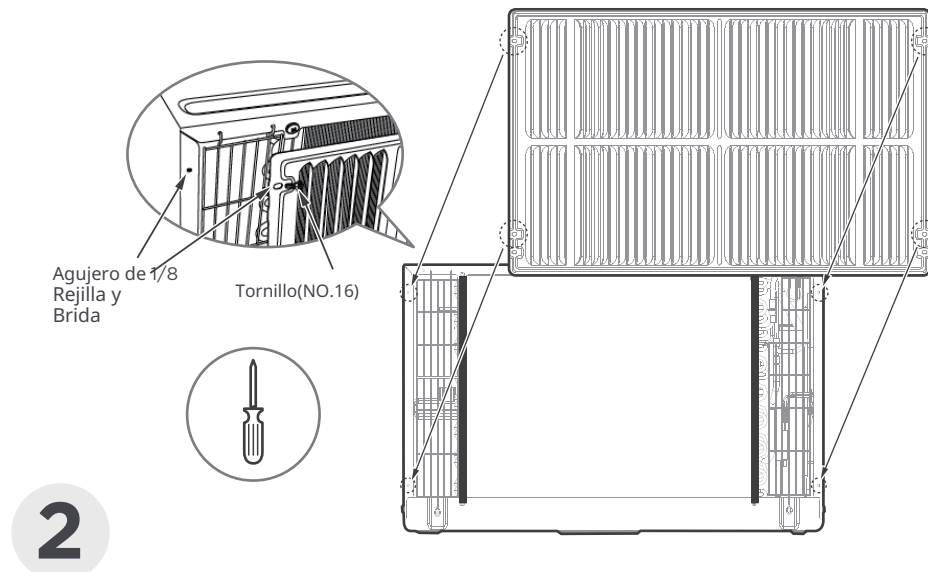
- Las direcciones anteriores son la forma preferible de montar la nueva rejilla de aluminio. El rendimiento de las unidades es ligeramente mejor y se reduce la posibilidad de corrientes de aire. Como último recurso, se puede considerar el montaje directo de la rejilla en la unidad (se muestra el tutorial de instalación).
- La rejilla de aluminio debe instalarse antes de insertar la unidad en la manga.



## 1 Pegue los sellos (NO.12) como se muestra.

Pegue los Sellos(NO.12) como se muestra. Proporciona una distancia segura entre las aletas y el aluminio

La rejilla actúa como un amortiguador para evitar que para evitar el contacto.

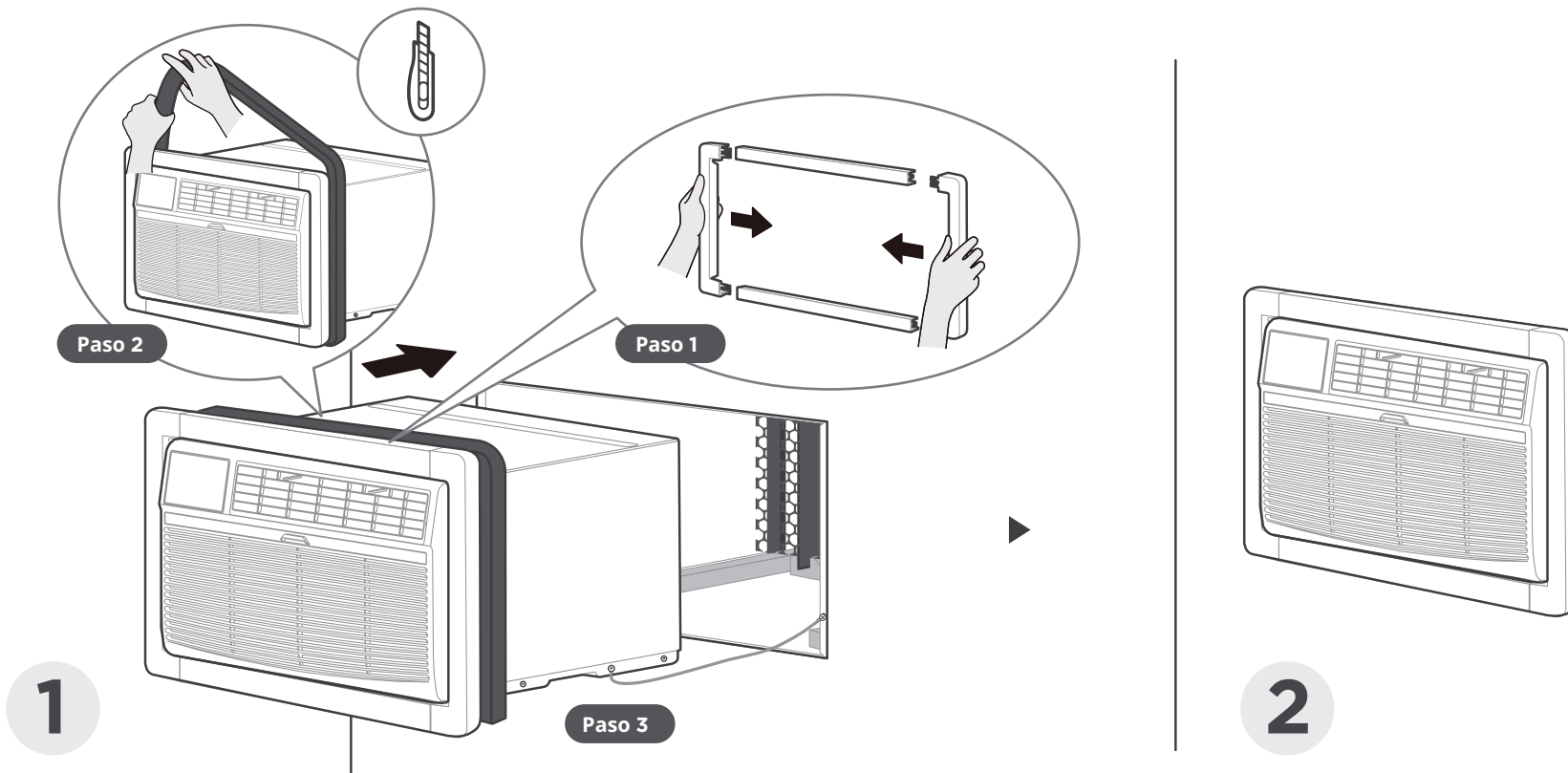


## 2 Instale la unidad con la Rejilla de Aluminio y empotrada en el Sleeve de Pared.

Alinee la Rejilla de Aluminio con el agujero trasero de la unidad como se muestra, luego apriétela y asegúrela con Tornillos y Arandelas de Tornillo(NO.16). El lado sobresaliente de la aleta de la rejilla de aluminio debe montarse hacia afuera.

Si la unidad no ha sido pre-perforada, taladre cuidadosamente cuatro agujeros de 1/8" a través de la rejilla y en la brida lateral de la unidad, luego fíjela con Tornillos(NO.16). Tenga cuidado de no taladrar en las bobinas del intercambiador de calor de cobre. Finalmente, inserte la unidad en el sleeve.

# Finalmente, haga algún trabajo cosmético en su producto.



## Haga algún trabajo cosmético.

**Paso 1 :** Ensamble el marco de ajuste (NO.2) insertando las piezas superior e inferior en las piezas laterales (NO.3) y empújelo hacia el interior de la unidad al ras con el panel frontal.

**Paso 2 :** Instale el largo Relleno - sello (NO.9) entre el sleeve de pared y la unidad. Envuelva firmemente la espuma alrededor del fuselaje y córtela cuidadosamente corte cualquier exceso con un cuchillo.

**Paso 3 :** Deslice el marco, el sello y la unidad cuidadosamente en el Sleeve de pared para la fijación interna, asegurándose de que el cable de puesta a tierra también esté colocado correctamente y no esté dañado.

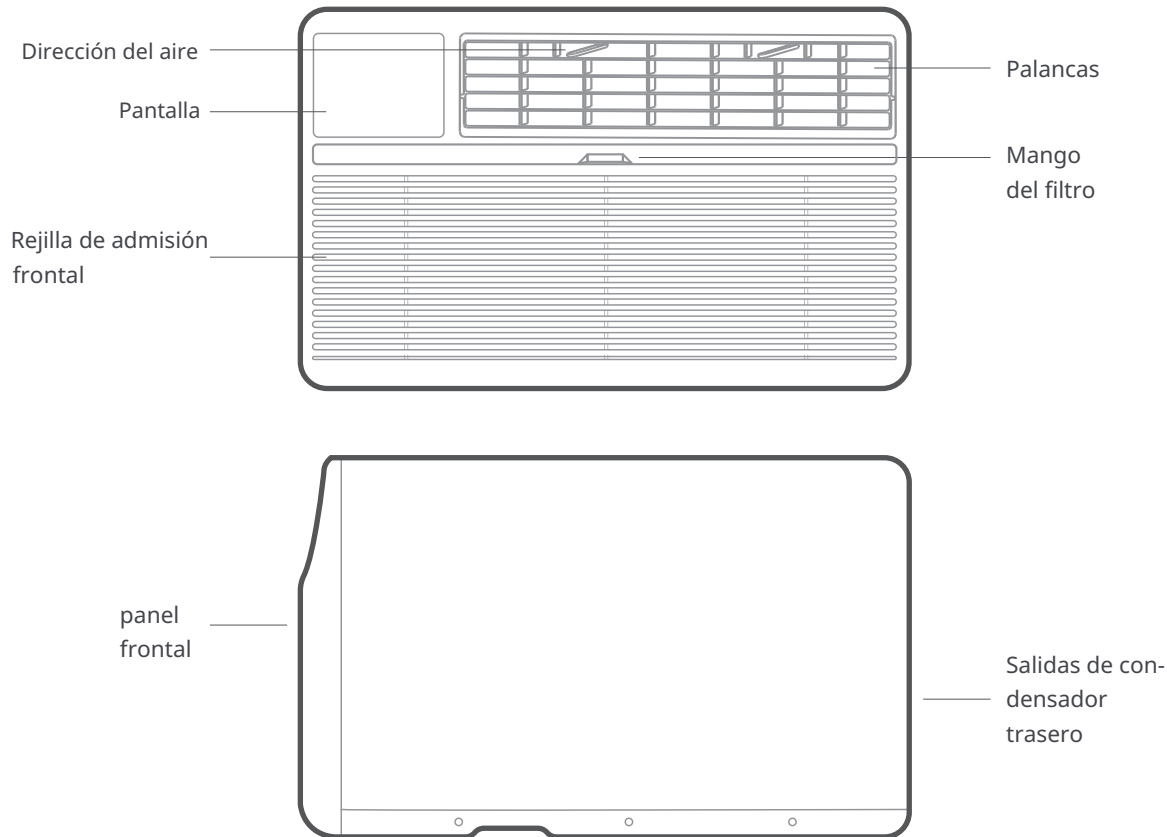
## La instalación está completa.

¡Felicitaciones por la instalación, pero aún no ha terminado. Tómese un descanso ! Y luego, conozca mejor su producto.

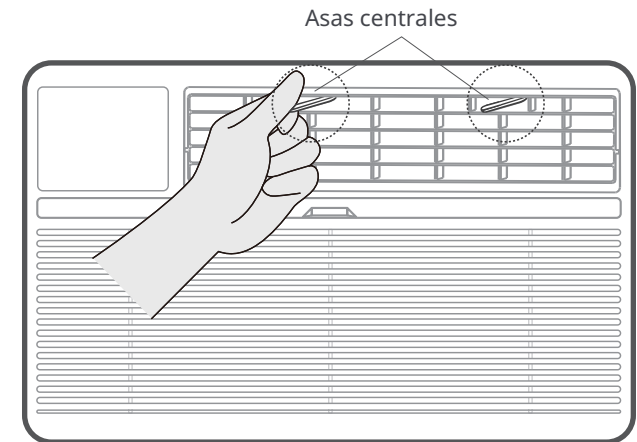
# Conozca su aire acondicionado.

Descripción general de la unidad de aire acondicionado

## Componentes del producto



## Ajuste la dirección del aire



Las persianas direccionales de aire controlan la dirección del flujo de aire. Su aire acondicionado tiene el sistema direccional de 4 vías descrito a continuación. Las persianas le permitirán dirigir el flujo de aire hacia arriba o horizontal, y hacia la izquierda o derecha en toda la habitación según sea necesario. Use las asas centrales para ajustar las persianas direccionales de aire de lado a lado hasta obtener la dirección deseada hacia la izquierda o la derecha. Gire las persianas horizontales con las yemas de los dedos hasta obtener la dirección deseada hacia arriba o horizontal.

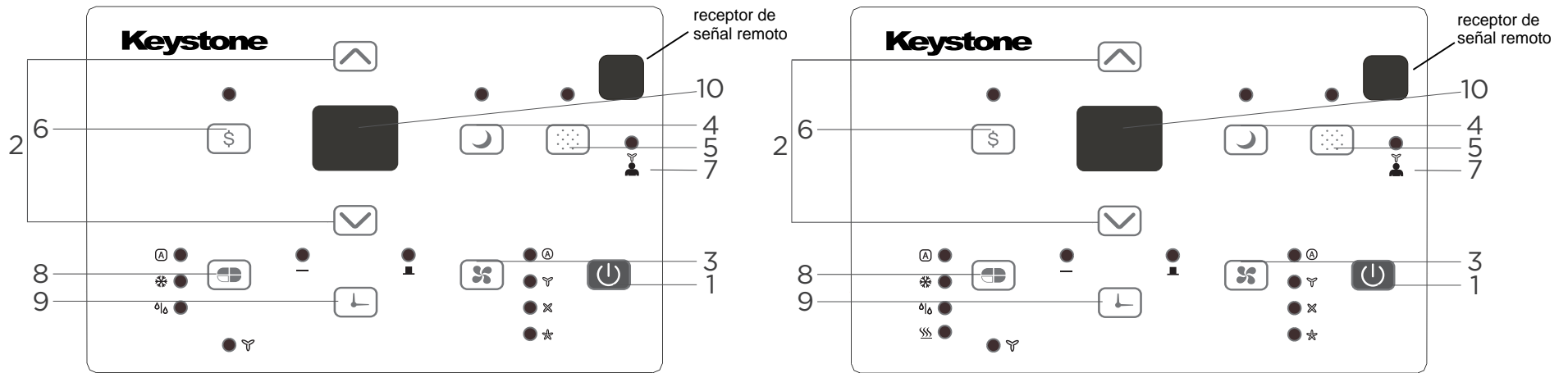


**PRECAUCIÓN:** No introduzca los dedos en la salida de aire, puede causar una lesión.

# Conozca las características.

## NOTA

- Antes de comenzar, familiarícese completamente con el panel de control que se muestra a continuación y todas sus funciones, luego siga el símbolo de las funciones que desee. La unidad se puede controlar solo con el control de la unidad o con el control remoto.
- Este panel de control se basa en el modelo típico. No todas las funciones descritas en este manual están disponibles para todos los modelos. La máquina que compró puede ser ligeramente diferente.
- Si la unidad se interrumpe inesperadamente debido a un corte de corriente, se reiniciará con la configuración de la función anterior automáticamente cuando se reanude la corriente.
- Función de CALEFACCIÓN solo para modelos de calefacción.



## 1. PARA ENCENDER O APAGAR LA UNIDAD:

Presione  botón de ENCENDIDO para encender o apagar la unidad.

NOTA: La unidad iniciará automáticamente la función Ahorro de Energía en los modos Frío, Seco, Auto (solo en los modos Auto-Cooling y Auto-Fan).




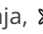

# INSTRUCCIONES DE OPERACIÓN DEL CONTROL ELECTRÓNICO

## 2. PARA CAMBIAR LA CONFIGURACIÓN DE TEMPERATURA:


Presione el botón  /  ARRIBA/ABAJO para cambiar la configuración de temperatura.

NOTA: Presione o mantenga presionado el botón ARRIBA o ABAJO hasta que aparezca la temperatura deseada en la pantalla. Esta temperatura se mantendrá automáticamente en cualquier lugar entre 62°F (17°C) y 86°F (30°C). Si desea que la pantalla muestre la temperatura real de la habitación, consulte la sección Para operar solo con ventilador.

## 3. PARA AJUSTAR LA VELOCIDAD DEL VENTILADOR:


Presione  para seleccionar la velocidad del ventilador en cuatro pasos:  Auto,  Baja,  Media o  Alta. Cada vez que se presiona el botón, el modo de velocidad del ventilador cambia. Para algunos modelos, la velocidad del ventilador no se puede ajustar en el modo CALOR. En el modo Seco, la velocidad del ventilador se controla automáticamente en Baja.

## 4. CARACTERÍSTICA DE SUSPENSIÓN:


Presione  el botón de suspensión para iniciar el modo de suspensión. En este modo, la temperatura seleccionada aumentará (enfriamiento) o disminuirá (calefacción) en 2°F/1°C 30 minutos después de seleccionar el modo. Luego, la temperatura aumentará (enfriamiento) o disminuirá (calefacción) en otros 2°F/1°C después de otros 30 minutos.

Esta nueva temperatura se mantendrá durante 7 horas antes de volver a la temperatura seleccionada originalmente. Esto finaliza el modo de suspensión y la unidad continuará funcionando según lo programado originalmente. El programa de modo de suspensión se puede cancelar en cualquier momento durante la operación presionando el botón de suspensión nuevamente.


## 5. FUNCIÓN DE VERIFICACIÓN DEL FILTRO:

Pulse  el botón Comprobar filtro para iniciar la función. Esta función es un recordatorio para limpiar el filtro de aire para un funcionamiento más eficiente. El LED (luz) se iluminará después de 250 horas de funcionamiento. Para reiniciar después de limpiar el filtro, pulse el botón CheckFilter y la luz se apagará.


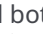

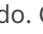
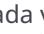
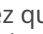
## 6. FUNCIÓN AHORRO DE ENERGÍA:

Pulse  el botón de ahorro de energía para iniciar esta función. Esta función está disponible en los modos FRÍO, SECO y AUTO (sólo AUTO-FRIGOR y AUTO-VENTILADOR). El ventilador continúa funcionando durante 3 minutos después de que el compresor se haya detenido. El ventilador continúa funcionando durante 3 minutos después de que el compresor se haya detenido. A continuación, el ventilador funciona durante 2 minutos a intervalos de 10 minutos hasta que la temperatura ambiente es superior a la temperatura ajustada, tras lo cual el compresor se pone en marcha de nuevo y comienza la refrigeración.

## 7. FUNCIÓN FOLLOW ME:

Esta función  solo se puede activar desde el control remoto. El control remoto sirve como termostato remoto que permite un control preciso de la temperatura en su ubicación. Para activar la función Follow Me, apunte el control remoto hacia la unidad y presione el botón Follow Me. La pantalla remota muestra la temperatura real en su ubicación. El control remoto enviará esta señal al aire acondicionado cada intervalo de 3 minutos hasta que presione el botón Follow Me nuevamente. Si la unidad no recibe la señal Follow Me durante cualquier intervalo de 7 minutos, la unidad emitirá un pitido para indicar que el modo Follow Me ha terminado.

## 8. PARA SELECCIONAR EL MODO DE OPERACIÓN:

Para elegir el modo de operación, presione  el botón Modo. Cada vez que presione el botón, se seleccionará un modo en una secuencia que va desde  Auto,  Frío,  Seco,  calor (solo modelos de enfriamiento sin) y  Ventilador. La luz indicadora al lado se iluminará y permanecerá encendida una vez que se seleccione el modo. La unidad iniciará automáticamente la función Ahorro de Energía en los modos Frío, Seco, Auto (solo en los modos Auto-Cooling y Auto-Fan).

# INSTRUCCIONES DE OPERACIÓN DEL CONTROL ELECTRÓNICO

## Para operar en la función Auto:

- Cuando configura el aire acondicionado en modo AUTO, seleccionará automáticamente la operación de enfriamiento, calefacción (solo modelos de enfriamiento sin), o solo ventilador según la temperatura que haya seleccionado y la temperatura de la habitación.
- El aire acondicionado controlará automáticamente la temperatura de la habitación alrededor del punto de temperatura que haya establecido. En este modo, la velocidad del ventilador no se puede ajustar, comienza automáticamente a una velocidad según la temperatura de la habitación.

## Para operar en modo FRÍO:

- Elija el modo Frío para configurar la función de enfriamiento. Use los botones Arriba y Abajo para elegir la temperatura deseada. Cuando se selecciona el modo Frío, la velocidad del ventilador se puede ajustar presionando el botón del ventilador.

## Para operar en modo CALOR

### (los modelos solo de enfriamiento están excluidos):

- Elija el modo Calor para iniciar la operación de calefacción. Use los botones Arriba y Abajo para establecer la temperatura deseada. Presione el botón del ventilador para seleccionar la velocidad del ventilador. Para algunos modelos, la velocidad del ventilador no se puede ajustar.

## Para operar solo con el ventilador:

- Use esta función solo cuando no se desee enfriamiento, como para la circulación de aire en la habitación o para extraer aire viciado (opcional)-Recuerde abrir la durante esta función, la pantalla mostrará la temperatura real de la habitación, no la temperatura establecida como en el modo de enfriamiento. En el modo solo ventilador, la temperatura no se ajusta.

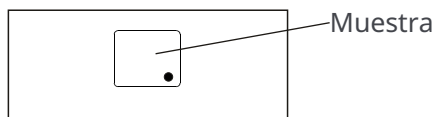
## Para operar en modo SECO:

- En este modo, el aire acondicionado generalmente funcionará en forma de deshumidificador. Dado que el espacio acondicionado es un área cerrada o sellada, continuará algún grado de enfriamiento.

## 9. FUNCIÓN DE INICIO/DETENCIÓN AUTOMÁTICA DEL TEMPORIZADOR:

- Cuando la unidad está encendida o apagada, pulse primero el botón Temporizador, se ilumina el indicador luminoso del TEMPORIZADOR ENCENDIDO. Indica que se ha iniciado el programa de inicio automático.
- Cuando se muestra el tiempo del TEMPORIZADOR ENCENDIDO, presione el botón Temporizador de nuevo, se ilumina el indicador luminoso del TEMPORIZADOR APAGADO. Indica que se ha iniciado el programa de parada automática.
- Presione o mantenga presionado el botón ARRIBA o ABAJO para cambiar el tiempo de Auto en incrementos de 0,5 horas, hasta 10 horas, luego en incrementos de 1 hora hasta 24 horas. El control contará hacia atrás el tiempo restante hasta el inicio.
- El tiempo seleccionado se registrará en 5 segundos, y el sistema volverá automáticamente a mostrar la configuración de temperatura anterior o la temperatura de la habitación (mostrador).
- Encender o apagar la unidad en cualquier momento o ajustar la configuración del temporizador a 0,0 cancelará el programa de tiempo de inicio / parada automática.

## 10. PANTALLA:



Muestra la temperatura establecida en "°C" o "°F" y la configuración del temporizador automático. Mientras está en modo solo ventilador, muestra la temperatura de la habitación. Si la temperatura de la habitación es demasiado alta o baja, se mostrará "HI" o "LO".

### Códigos de error:

- ES** -Error del sensor de temperatura de la habitación  
- Desenchufe la unidad y vuelva a enchufarla. Si el error se repite, llame al servicio técnico.
- ES** -Error del sensor de temperatura del evaporador  
- Desenchufe la unidad y vuelva a enchufarla. Si el error se repite, llame al servicio técnico.

**HS** -Error del sensor de calefacción eléctrica-  
Desenchufe la unidad y vuelva a enchufarla. Si el error se repite, llame al servicio técnico.

**CS** -El sensor del condensador de la unidad exterior está defectuoso- Desenchufe la unidad y vuelva a enchufarla. Si el error se repite, llame al servicio técnico.

**oS** -Error del sensor de temperatura de la habitación  
- Desenchufe la unidad y vuelva a enchufarla. Si el error se repite, llame al servicio técnico.

**E3** - Error de bloqueo del ventilador- Desenchufe la unidad y vuelva a enchufarla. Si el error se repite, llame al servicio técnico.

**EO** - Fallo del parámetro EEPROM- Desenchufe la unidad y vuelva a enchufarla. Si el error se repite, llame al servicio técnico.

1

### **Su aire acondicionado puede parecer a little different.**

Todas las ilustraciones de este manual son solo para fines explicativos. Su aire conditioner may be slightly different. La forma real prevalecerá.

2

### **Cosas adicionales que debes saber.**

Ahora que has dominado el procedimiento de operación, aquí hay más características en tu control que debes conocer.

- El circuito de enfriamiento tiene un tiempo automático de 3 minutos time delayed start if the unit is turned off y enciende rápidamente. Esto evita el sobrecalentamiento del compresor y posibles disparos del interruptor de circuito. El ventilador seguirá funcionando durante este tiempo.
- El control es capaz de mostrar la temperatura en grados Fahrenheit o grados Celsius. Para convertir de uno a otro, presione y mantenga presionados los botones Temporizador Izquierdo y Derecho al mismo tiempo, durante 3 segundos.

3

### **Sonidos normales / Rendimiento del sonido**

#### **Charla Aguda**

High efficiency compressors may have a charla aguda durante el ciclo de enfriamiento.

#### **Sonido del Aire en Movimiento**

En la parte delantera de la unidad, puede escuchar el sonido del aire que se mueve por el ventilador.

#### **Gorgoteo/Silbido**

Se puede escuchar un ruido de "gorgoteo o silbido" debido al refrigerante que pasa por el evaporador durante el funcionamiento normal.

#### **Vibración**

La unidad puede vibrar y hacer ruido debido a una construcción deficiente de la pared o la ventana o una instalación incorrecta.

#### **Ping o Cambio**

Las gotas de agua que golpean el condensador durante el funcionamiento normal pueden causar sonidos de "clic o golpeo".

# Limpieza y mantenimiento

Cómo limpiar y cambiar su filtro.

## Revise el filtro de aire al menos una vez al mes para ver si es necesario limpiarlo.

### Limpieza del filtro de aire

El filtro de aire debe ser revisado al menos una vez al mes para ver si es necesario limpiarlo. Las partículas atrapadas en el filtro pueden acumularse y causar una acumulación de escarcha en las bobinas de enfriamiento.

- Tome el filtro por el centro y tire hacia arriba y hacia afuera.
- Lave el filtro con detergente líquido para lavar platos y agua tibia. Enjuague bien el filtro. Agite suavemente el exceso de agua del filtro. Asegúrese de que el filtro esté completamente seco antes de volver a colocarlo. O, en lugar de lavarlo, puede limpiar el filtro con una aspiradora.

Nota: Nunca use agua caliente por encima de 40°C (104°F) para limpiar el filtro de aire.

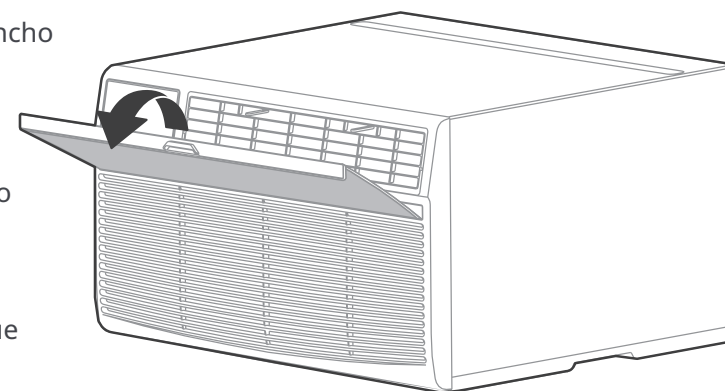
Nunca intente operar la unidad sin el filtro de aire.

### Nota de ahorro de energía

Para lograr el máximo ahorro de energía y comodidad, se recomienda usar una cubierta para aislar la unidad cuando la unidad no esté en uso. El tamaño recomendado para la unidad es de 24.4"x14.8"x2.2" (Ancho x Alto x Profundidad).

### Limpieza del gabinete

- Asegúrese de desenchufar el aire acondicionado para evitar riesgos de choque eléctrico o incendio. El gabinete y la parte frontal se pueden limpiar con un paño sin aceite o lavarse con un paño humedecido en una solución de agua tibia y detergente líquido suave para lavar platos. Enjuague bien y seque con un paño.
- Nunca use limpiadores fuertes, cera o pulimento en la parte frontal del gabinete.
- Asegúrese de escurrir el exceso de agua del paño antes de limpiar alrededor de los controles. El exceso de agua en o alrededor de los controles puede causar daños al aire acondicionado.
- Conecte el aire acondicionado.



**PRECAUCIÓN:** Limpie su aire acondicionado ocasionalmente para mantenerlo como nuevo. **Asegúrese de desenchufar la unidad antes de limpiarla para evitar riesgos de choque o incendio.**

**PRECAUCIÓN:** Si planea almacenar el aire acondicionado durante el invierno, retírelo cuidadosamente de la ventana de acuerdo con las instrucciones de instalación. Cúbralo con plástico o devuélvalo a la caja original.

# SOLUCIÓN DE PROBLEMAS

Antes de llamar al servicio técnico, revise esta lista. Puede ahorrar tiempo y gastos. Esta lista incluye situaciones comunes que no son el resultado de un trabajo o materiales defectuosos en este electrodoméstico.

Problem	Solución
<b>El aire acondicionado no se enciende.</b>	Enchufe de pared desconectado. Presione el enchufe firmemente en el tomacorriente de pared.
	Fusible de la casa quemado o interruptor de circuito disparado. Reemplace el fusible con un tipo de retardo de tiempo o restablezca el interruptor de circuito.
	Dispositivo de corriente del enchufe desconectado. Presione el botón RESET.
	La energía está APAGADA. Encienda la energía.
<b>El aire del equipo no se siente lo suficientemente frío.</b>	La temperatura de la habitación está por debajo de 62°F(17°C). La refrigeración puede no ocurrir hasta que la temperatura de la habitación suba por encima de 62°F(17°C).
	La detección de temperatura detrás del elemento del filtro de aire toca la bobina fría. Manténgalo alejado de la bobina fría.
	Ajuste a una temperatura más baja.
	El compresor se detuvo al cambiar de modo. Espere 3 minutos después de ajustar al modo FRÍO.
<b>El aire acondicionado se enfría, pero la habitación está demasiado caliente: se forma hielo en la bobina de enfriamiento detrás del frente decorativo.</b>	Temperatura exterior por debajo de 64°F(18°C). Para descongelar la bobina, ajuste el modo SOLO VENTILADOR.
	El filtro de aire puede estar sucio. Limpie el filtro. Consulte la sección de Cuidado y Limpieza. Para descongelar, ajuste el modo SOLO VENTILADOR.
	El termostato está ajustado demasiado frío para la refrigeración nocturna. Para descongelar la bobina, ajuste el modo SOLO VENTILADOR. Luego, ajuste la temperatura a una configuración más alta.
<b>Aire acondicionado turns on and off rápidamente</b>	Filtro de aire sucio - aire restringido. Limpie el filtro de aire.
	Temperatura exterior extremadamente caliente. Ajuste la velocidad del ventilador a una configuración más alta para hacer pasar el aire más frecuentemente por las bobinas de enfriamiento.

Problem	Solución
El aire acondicionado enfría , pero la habitación está demasiado caliente - NO se forma hielo en la bobina de enfriamiento detrás del frente decorativo.	Filtro de aire sucio - el aire está restringido. Limpie el filtro de aire. Consulte la sección de Cuidado y Limpieza.
	La temperatura está configurada demasiado alta, configure la temperatura a una configuración más baja.
	Las persianas direccionales de aire están posicionadas incorrectamente. Posicione las persianas para una mejor distribución del aire.
	La parte delantera de la unidad está bloqueada por cortinas, persianas, muebles, etc. - restringe la distribución del aire. Elimine el bloqueo frente a la unidad.
	Puertas, ventanas, registros, etc. Abiertos - el aire frío escapa. Cierre puertas, ventanas, registros.
	La unidad se encendió recientemente en una habitación caliente. Permita tiempo adicional para eliminar el calor almacenado en paredes, techo, piso y muebles.
Ruido cuando el equipo está enfriando.	Sonido de movimiento de aire. Esto es normal. Si es demasiado fuerte, configure una velocidad de VENTILADOR más lenta.
	Vibración de la ventana - instalación deficiente. Consulte las instrucciones de instalación o consulte con el instalador.
Agua goteando FUERA cuando la unidad está enfriando.	Instalación incorrecta. Incline ligeramente el aire acondicionado hacia el exterior para permitir el drenaje del agua. Consulte las instrucciones de instalación - verifique con el instalador.
Agua goteando FUERA cuando la unidad está enfriando.	La unidad está eliminando una gran cantidad de humedad de una habitación húmeda. Esto es normal durante días excesivamente húmedos.
Detección remota Desactivando Prematuramente (Solo modelos remotos)	El control remoto no está dentro del alcance. Coloque el control remoto dentro de 20 pies y apuntando en la dirección general de la unidad de aire acondicionado.
	La señal del control remoto está obstruida. Elimine la obstrucción.
Habitación demasiado fría	La temperatura establecida es demasiado baja. Aumente la temperatura establecida.

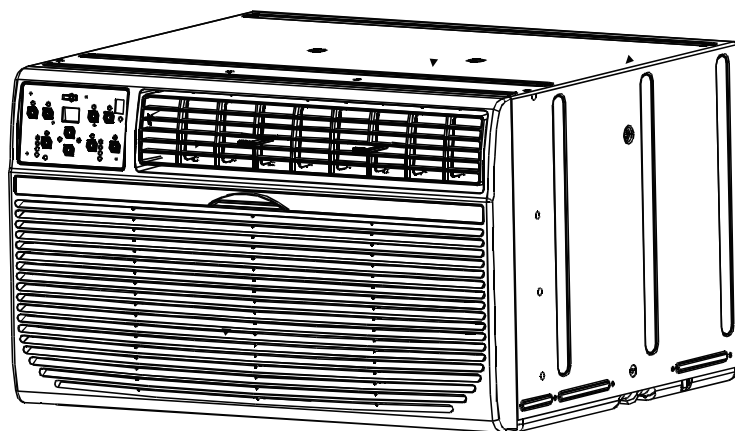
El diseño y las especificaciones están sujetos a cambios sin previo aviso para la mejora del producto. Consulte con la agencia de ventas o el fabricante para obtener detalles. Cualquier actualización del manual se cargará en el sitio web de servicio, por favor verifique la última versión.

# Keystone®

CLIMATISEUR MURAL POUR CHAMBRE

# Manuel du propriétaire

FR



Modèle: KSTAT08-1E KSTAT14-2D  
KSTAT10-1E KSTAT08-1HD  
KSTAT10-2E KSTAT10-2HD  
KSTAT12-1E KSTAT12-2HD  
KSTAT12-2E KSTAT14-2HD



## NOTE IMPORTANTE :

Avant d'utiliser votre climatiseur, veuillez lire attentivement ce manuel et le conserver pour référence ultérieure.

Série TTW

✉ [keystonecs@keystone-products.com](mailto:keystonecs@keystone-products.com) | ☎ 800-849-1112



## Enregistrez votre produit aujourd'hui !

Félicitations pour votre nouveau produit Keystone ! Veuillez prendre quelques minutes et suivre le lien ou scanner le code QR ci-dessous pour enregistrer votre produit afin que nous puissions activer les garanties, envoyer des mises à jour de produit, des recommandations, aider à résoudre les problèmes, offrir des conseils d'entretien et communiquer toute rap- pel de produit ou avertissement de sécurité en cas de besoin.

<https://keystone-products.com/register-your-product>



---

## Information de garantie

Votre produit est protégé par cette garantie :

Votre appareil est garanti par Midea. Toute obligation de services et de pièces en vertu de cette garantie doit être effectuée par les services aux consommateurs de Midea ou un réparateur autorisé de Midea.

Pour contacter un représentant du service à la clientèle,  
Appelez Midea SANS FRAIS

**1-866-646-4332**





# CONTENU

Précautions de sécurité .....	01
<b>Instructions d'installation</b>	
Contenu de la boîte .....	06
Avant de commencer .....	07
Installez votre produit.....	10
<b>Instructions d'utilisation</b>	
Apprenez à connaître votre climatiseur. ....	22
Apprenez à connaître les fonctionnalités. ....	23
Nettoyage et entretien .....	27
Dépannage .....	28

# Précautions de sécurité

Lire le message d'avertissement.

À l'intérieur, vous trouverez de nombreux conseils utiles sur la façon d'utiliser et d'entretenir correctement votre climatiseur. Un peu de soin préventif de votre part peut vous faire gagner beaucoup de temps et d'argent sur la durée de vie de votre climatiseur. Vous trouverez de nombreuses réponses aux problèmes courants dans le tableau des astuces de dépannage. Si vous consultez d'abord notre tableau des astuces de dépannage, vous n'aurez peut-être pas besoin d'appeler le service.

Pour éviter les blessures à l'utilisateur ou à d'autres personnes et les dommages matériels, les instructions suivantes doivent être suivies. Une utilisation incorrecte due à l'ignorance des instructions peut causer des dommages ou des blessures. La gravité est classée selon les indications suivantes.

## Explication des symboles



### **AVERTISSEMENT**

Le mot de signalisation indique un danger avec un niveau de risque moyen qui, s'il n'est pas évité, peut entraîner la mort ou des blessures graves.



### **ATTENTION**

Le mot de signalisation indique un danger avec un faible degré de risque qui, s'il n'est pas évité, peut entraîner des blessures mineures ou modérées.



### **NE JAMAIS FAIRE CECI**

Ce signal indique que l'opération rapide est interdite, si elle n'est pas évitée, peut entraîner des dommages au produit ou des blessures.



### **TOUJOURS FAIRE CECI**

Ce signal signifie que l'opération peut être effectuée.

## AVERTISSEMENT

- Brancher correctement la fiche d'alimentation. Sinon, cela peut causer un choc électrique ou un incendie en raison d'une génération de chaleur excessive. Ne pas faire fonctionner ou arrêter l'unité en insérant ou en retirant la fiche d'alimentation. Cela peut causer un choc électrique ou un incendie en raison de la génération de chaleur. Ne pas endommager ou utiliser un cordon d'alimentation non spécifié. Cela peut causer un choc électrique ou un incendie. Si le cordon d'alimentation est endommagé, il doit être remplacé par le fabricant ou un centre de service autorisé ou une personne qualifiée similaire afin d'éviter un danger.
- Installez toujours un disjoncteur et un circuit d'alimentation dédié. Une installation incorrecte peut causer un incendie et un choc électrique. Ne pas utiliser avec des mains mouillées ou dans un environnement humide. Cela peut causer un choc électrique. Ne pas diriger le flux d'air uniquement vers les occupants de la pièce. Cela pourrait nuire à votre santé.
- Assurez toujours une mise à la terre efficace. Une mise à la terre incorrecte peut causer un choc électrique. Ne pas permettre à l'eau de couler dans les parties électriques. Cela peut causer une défaillance de la machine ou un choc électrique. Ne pas modifier la longueur du cordon d'alimentation ou partager la prise avec d'autres appareils. Cela peut causer un choc électrique ou un incendie en raison de la génération de chaleur.
- Débranchez l'appareil si des bruits étranges, des odeurs ou de la fumée en sortent. Cela peut causer un incendie et un choc électrique. Ne pas utiliser la prise si elle est lâche ou endommagée. Cela peut causer un incendie et un choc électrique. Ne pas ouvrir l'appareil pendant son fonctionnement. Cela peut causer un choc électrique.
- Tenir les armes à feu à l'écart. Cela peut causer un incendie. Ne pas utiliser le cordon d'alimentation près d'appareils de chauffage. Cela peut causer un incendie et un choc électrique. Ne pas utiliser le cordon d'alimentation près de gaz inflammables ou de combustibles, tels que l'essence, le benzène, le diluant, etc. Cela peut causer une explosion ou un incendie.
- Ventiler la pièce avant de faire fonctionner le climatiseur s'il y a une fuite de gaz provenant d'un autre appareil. Cela peut causer une explosion, un incendie et des brûlures. Ne pas démonter ou modifier l'appareil. Cela peut causer une panne et un choc électrique.

## ATTENTION

- Lorsque le filtre à air doit être retiré, ne pas toucher les parties métalliques de l'unité. Cela peut causer une blessure. Ventilez bien la pièce lorsqu'elle est utilisée avec un poêle, etc. Une pénurie d'oxygène peut survenir.
- N'utilisez pas de détergent fort tel que de la cire ou du diluant, mais utilisez un chiffon doux. L'apparence peut se détériorer en raison du changement de couleur du produit ou de l'éraflure de sa surface. Ne nettoyez pas le climatiseur avec de l'eau. L'eau peut pénétrer dans l'unité et dégrader l'isolation. Cela peut causer un choc électrique. Ne pas utiliser à des fins spéciales. Ne pas utiliser ce climatiseur pour conserver des dispositifs de précision, de la nourriture, des animaux domestiques, des plantes et des objets d'art. Cela peut causer une détérioration de la qualité, etc.
- Arrêtez le fonctionnement et fermez la fenêtre en cas de tempête ou d'ouragan. Le fonctionnement avec les fenêtres ouvertes peut causer une humidification de l'intérieur et un trempage des meubles de maison. Lorsque l'unité doit être nettoyée, éteignez l'unité et débranchez le cordon d'alimentation. Ne nettoyez pas l'unité lorsque l'alimentation est allumée car cela peut causer un incendie et un choc électrique, cela peut causer une blessure.
- Insérez toujours les filtres de manière sécurisée. Le fonctionnement sans filtres peut causer une défaillance. Veuillez nettoyer le filtre une fois toutes les deux semaines.

## ATTENTION

- Tenez la fiche par la tête de la fiche d'alimentation lorsque vous la retirez. Cela peut provoquer des chocs électriques et des dommages. Éteignez l'interrupteur principal lorsque vous n'utilisez pas l'appareil pendant une longue période. Cela peut entraîner une défaillance du produit ou un incendie.
  - Ne placez pas d'obstacles autour des entrées d'air ou à l'intérieur de la sortie d'air. Cela peut causer une défaillance de l'appareil ou un accident. Ne placez pas d'objet lourd sur le cordon d'alimentation et assurez-vous que le cordon n'est pas comprimé. Il y a un danger d'incendie ou de choc électrique. Ne buvez pas l'eau évacuée par le climatiseur. Elle contient des contaminants et peut vous rendre malade.
  - Soyez prudent lors du déballage et de l'installation. Les bords tranchants pourraient causer des blessures.
  - Si de l'eau pénètre dans l'appareil, éteignez l'appareil à la prise de courant et coupez le disjoncteur. Coupez l'alimentation en débranchant la prise de courant et contactez un technicien qualifié.
  - Cet appareil n'est pas destiné à être utilisé par des personnes (y compris des enfants) ayant des capacités physiques, sensorielles ou mentales réduites ou un manque d'expérience et de connaissances.
- sauf s'ils ont reçu une surveillance ou des instructions concernant l'utilisation de l'appareil par une personne responsable de leur sécurité.
- Les enfants doivent être surveillés pour s'assurer qu'ils ne jouent pas avec l'appareil.
  - Si le cordon d'alimentation est endommagé, il doit être remplacé par le fabricant, son agent de service ou des personnes qualifiées similaires afin d'éviter un danger.
  - L'appareil doit être installé conformément aux réglementations nationales en matière de câblage.
  - L'installation doit être effectuée conformément aux exigences du NEC et du CEC par du personnel autorisé uniquement.
  - N'utilisez pas votre climatiseur dans une pièce humide comme une salle de bain ou une buanderie.
  - L'appareil avec chauffage électrique doit avoir au moins 1 mètre d'espace par rapport aux matériaux combustibles.
  - Contactez le technicien de service autorisé pour la réparation ou l'entretien de cette unité.
  - Contactez l'installateur autorisé pour l'installation de cette unité.

## REMARQUE

Cet appareil de climatisation est conçu pour fonctionner dans les conditions suivantes:

Fonctionnement de refroidissement	Température extérieure :	64-109°F/18-43°C (64-125°F/18-52°C pour les modèles tropicaux spéciaux)
	Température intérieure :	62-90°F/17-32°C
Fonctionnement de chauffage	Température extérieure :	23-76°F/-5-24°C
	Température intérieure :	32-80°F/0-27°C

Remarque: Les performances peuvent être réduites en dehors de ces températures de fonctionnement.

## Fonctionnement du dispositif de courant

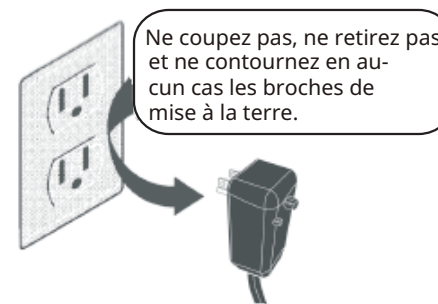
Le cordon d'alimentation contient un dispositif de courant qui détecte les dommages au cordon d'alimentation. Pour tester votre cordon d'alimentation, faites ce qui suit :

- Branchez le climatiseur.
- Le cordon d'alimentation aura DEUX boutons sur la tête de la fiche. Appuyez sur le bouton TEST, vous remarquerez un clic lorsque le bouton RESET sort.
- Appuyez à nouveau sur le bouton RESET, vous remarquerez un clic lorsque le bouton s'enclenche.
- Le cordon d'alimentation fournit maintenant de l'électricité à l'appareil. (Sur certains produits, cela est également indiqué par une lumière sur la tête de la fiche).

### REMARQUE

- Le cordon d'alimentation de cet appareil contient un dispositif de détection de courant conçu pour réduire le risque d'incendie. Si le cordon d'alimentation est endommagé, il ne peut pas être réparé - il doit être remplacé par un cordon provenant du fabricant du produit.
- Ne pas utiliser cet appareil pour allumer ou éteindre l'unité.
- Assurez-vous toujours que le bouton RESET est enfoncé pour un fonctionnement correct.
- Le cordon d'alimentation doit être remplacé s'il ne se réinitialise pas lorsque le bouton TEST est enfoncé ou s'il ne peut pas être réinitialisé. Un nouveau peut être obtenu auprès du fabricant du produit.

### Prise murale de type mise à la terre



Cordon d'alimentation avec fiche de mise à la terre à 3 broches et dispositif de détection de courant.

### AVERTISSEMENT

#### Informations électriques

La puissance électrique totale de votre nouveau climatiseur mural pour chambre est indiquée sur la plaque signalétique. Référez-vous à la puissance électrique lors de la vérification des exigences électriques.

- Assurez-vous que le climatiseur est correctement mis à la terre. Pour minimiser les risques de choc électrique et d'incendie, une mise à la terre appropriée est obligatoire. Le cordon d'alimentation est équipé d'une fiche de mise à la terre à trois broches pour une protection contre les risques de choc électrique.
- Votre climatiseur doit être utilisé dans une prise murale correctement mise à la terre. Si la prise murale que vous prévoyez d'utiliser n'est pas suffisamment mise à la terre ou protégée par un fusible à retardement ou un disjoncteur, faites installer la prise appropriée par un électricien qualifié. Assurez-vous que la prise est accessible après l'installation de l'unité.
- Ne faites pas fonctionner le climatiseur sans le couvercle de protection latéral en place. Cela pourrait entraîner des dommages mécaniques à l'intérieur du climatiseur.
- N'utilisez pas de rallonge ou d'adaptateur.

## AVERTISSEMENT

Évitez les risques d'incendie ou de choc électrique. N'utilisez pas de rallonge ou d'adaptateur. Ne retirez aucun des broches du cordon d'alimentation.

### Pour votre sécurité

Ne pas stocker ou utiliser de l'essence ou d'autres vapeurs et liquides inflammables à proximité de cet appareil ou de tout autre appareil.

### Prévenir les accidents

Pour réduire le risque d'incendie, de choc électrique ou de blessure lors de l'utilisation de votre climatiseur, suivez les précautions de base, notamment les suivantes :

- Assurez-vous que le service électrique est adéquat pour le modèle que vous avez choisi. Ces informations se trouvent sur la plaque signalétique, qui est située sur le côté de l'armoire et derrière la grille.

- Assurez-vous que le climatiseur a été installé de manière sûre et correcte conformément aux instructions d'installation de ce manuel. Conservez ce manuel pour une utilisation future éventuelle lors de la suppression ou de l'installation de cette unité. Lors de la manipulation du climatiseur, faites attention à éviter les coupures causées par les ailettes métalliques tranchantes des bobines avant et arrière.

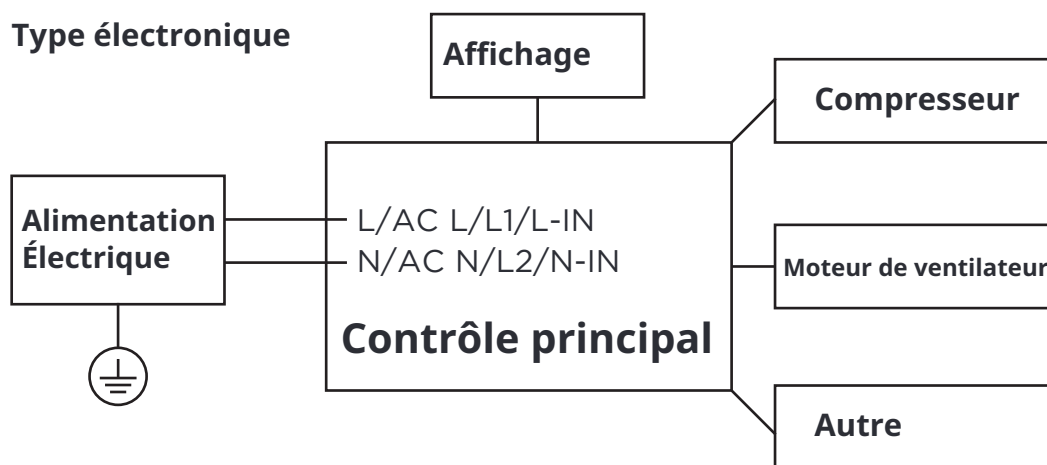
## Travail électronique



### AVERTISSEMENT:

AVANT DE RÉALISER TOUT TRAVAIL ÉLECTRIQUE OU DE CÂBLAGE, COUPEZ L'ALIMENTATION PRINCIPALE DU SYSTÈME.

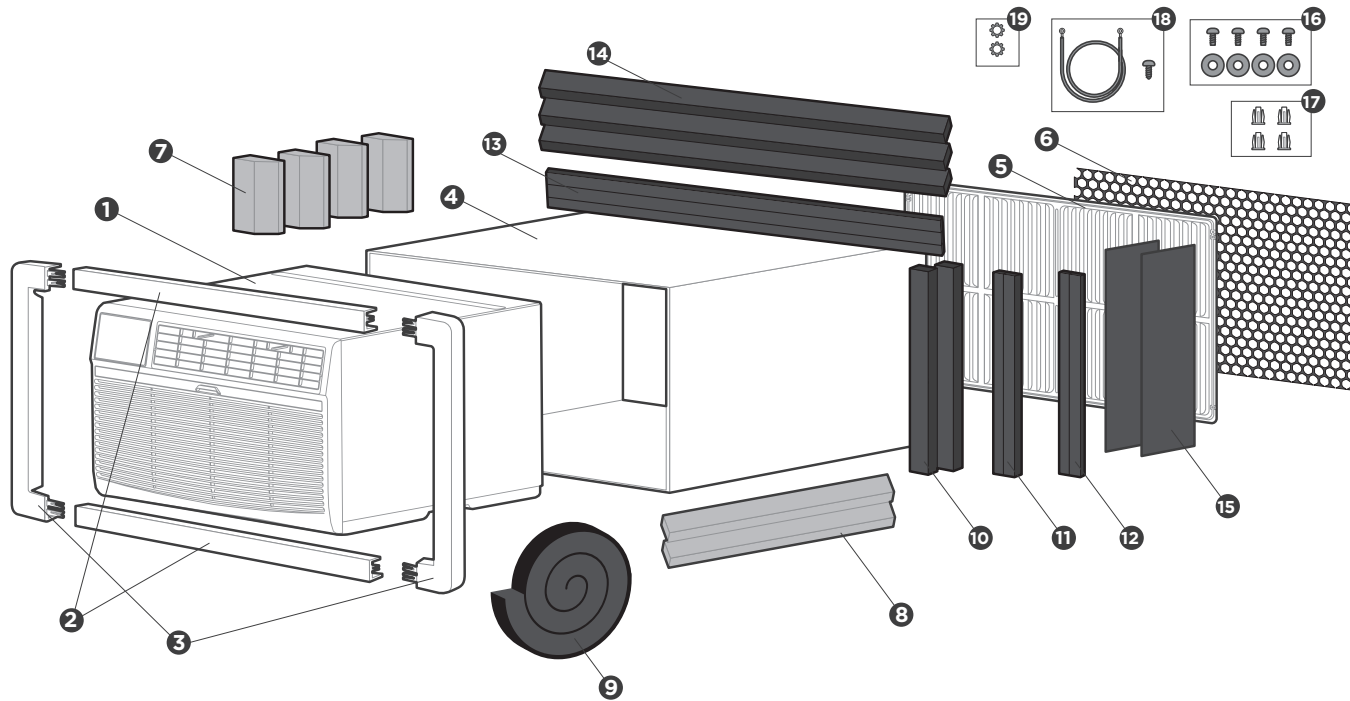
### Type électronique



REMARQUE: Veuillez suivre strictement l'étiquette de câblage attachée à la machine pour toutes les connexions de câblage. Le schéma de câblage peut vary for different unit. Please refer to the wiring diagram on la machine que vous avez achetée. Le schéma de câblage ci-dessus est une version simplifiée à des fins d'illustration préliminaire uniquement.

# Contenu de la boîte.

## Contenu de l'emballage



- ❶ Unité de climatiseur
- ❷ Cadre de garniture (pattes supérieure et inférieure)\*2
- ❸ Cadre de garniture (pattes latérales)\*2
- ❹ Manchon mural (à acheter séparément)
- ❺ Grille en aluminium
- ❻ Grille en plastique (1/8"x4-1/2"x14-1/2")
- ❼ Blocs de centrage/support (bleu)\*4 (4-1/2"x3-1/2"x1-1/2")
- ❽ Bloc d'espacement conique (bleu)\*2 (7/8"x1-1/8"x17")
- ❾ Bourreur - joint \* 1 ( 1 " x1-1 / 2 " x84 " )
- ❿ Joint\*2 (1"x1-1/2"x14")
- ⓫ Joint\*2 (1"x3/4"x14")
- ⓬ Joint\*2 (1"x3/8"x14")
- ⓭ Joint\*2 (1"x3/8"x25")
- ⓮ Joint\*3 (1"x1-1/2"x25")
- ⓯ Séparateur en plastique\*2 (1/8"x4-1/2"x14-1/2")
- ⓰ Vis\*4 et rondelle de vis\*4
- ⓱ Écrous (en plastique)\*4
- ⓲ Fil de terre et vis de mise à la terre
- ⓳ Rondelle dentée pour vis de mise à la terre

### Préparez les outils suivants



Gants



Tournevis



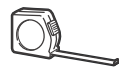
Crayon



Ciseaux et couteau



Perceuse Règle ou ruban à mesurer



Niveau

\*Non inclus

### ⚠ ATTENTION

- Ne coupez ni ne retirez sous aucun prétexte la troisième broche (mise à la terre) du cordon d'alimentation.
- Ne changez pas la fiche du cordon d'alimentation du climatiseur.
- Le câblage en aluminium peut présenter des problèmes spéciaux - consultez un électricien qualifié.
- Lors de la manipulation de l'unité, faites attention à éviter les coupures causées par les bords métalliques tranchants et les ailettes en aluminium sur les bobines avant et arrière.
- Faites appel à deux personnes ou plus pour déplacer et installer l'unité.

# Avant de commencer.



L'installation doit être effectuée strictement conformément aux instructions de ce manuel.



L'installation de votre climatiseur devrait prendre environ 60 minutes.



Nous recommandons de le faire avec l'aide d'un assistant.



Nous sommes là si vous avez besoin de nous, veuillez contacter votre distributeur local pour obtenir de l'aide.

## Préparatifs avant l'installation

### REMARQUE

Conservez le carton et ces instructions d'installation pour référence future. Le carton est le meilleur moyen de stocker l'unité pendant l'hiver ou lorsqu'elle n'est pas utilisée.

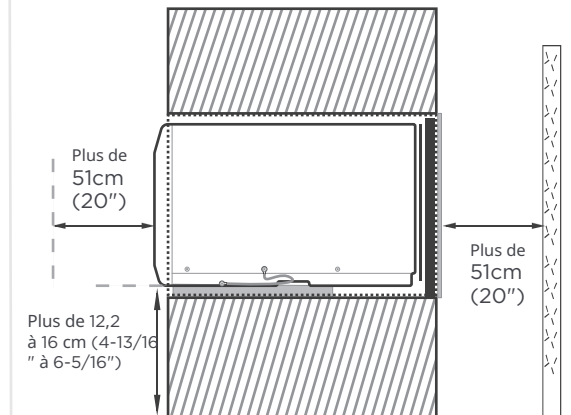
## ! Vérifiez les exigences d'emplacement d'installation et les dimensions du manchon mural.

- Les dimensions du climatiseur sont : 24" de large, 14" de haut et 18" de profondeur (sans panneau avant). Installez le climatiseur selon les instructions d'installation pour obtenir les meilleures performances.
- Vérifiez la taille du manchon mural en fonction de votre trou dans le mur, identifiez la marque de manchon mural pour votre installation à partir du tableau ci-dessous.

Selon la profondeur du couvercle mural, nous avons divisé l'installation en 9 catégories. Veuillez noter que le couvercle mural de la même marque peuvent également avoir des différences de profondeurs. Veuillez installer en fonction de la profondeur.

Type	Marque	Profondeur
#1	Emerson	15"
#2	Fedders	19-3/4"
#3	Fedders/ Friedrich	16-3/4"
#4	General Electric/ Hotpoint	16-3/8"
#5	Sears/ Carrier(Série 51S)	18-5/8"
#6	Whirlpool	17-1/8"
#7	Whirlpool	23"
#8	White-Westinghouse/ Frigidaire/ Carrier(Série 52F)	16/17-1/2"
#9	White-Westinghouse/ Frigidaire	22"

Pour que l'appareil fonctionne mieux, veuillez ne pas placer de barrière dans la sortie d'air et sélectionner l'emplacement d'installation du produit selon les exigences de la figure suivante.

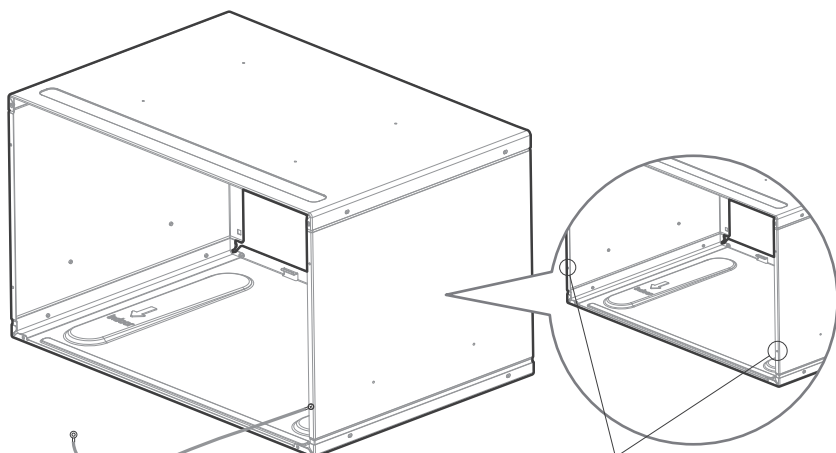


Vue latérale

# Complétez l'installation du manchon mural. Préparatifs avant l'installation de l'unité

## Installez le manchon mural et effectuez la connexion de mise à la terre

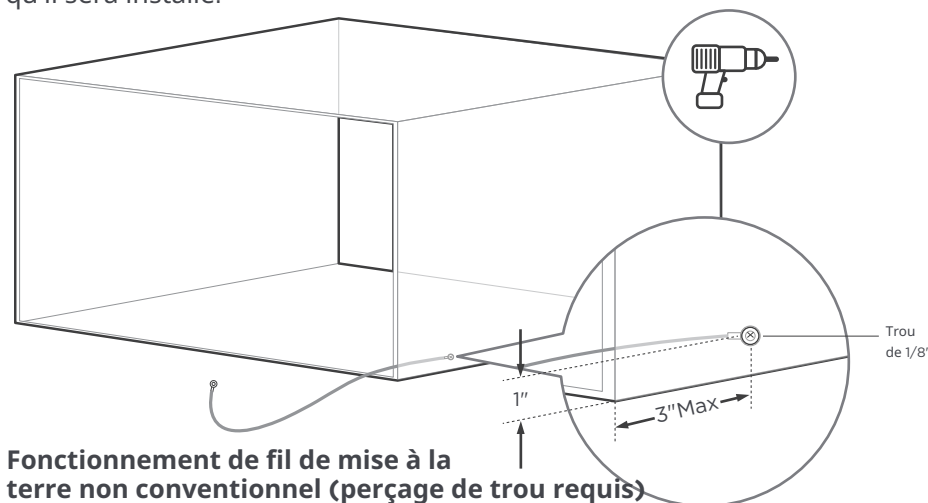
- Retirez l'ancien climatiseur du manchon mural et préparez le manchon mural (si nécessaire). Nettoyez l'intérieur (sans perturber les joints).
- Sous l'avant du couvercle mural, il y a deux trous de 1/8" pour l'opération de mise à la terre. Utilisez le fil de terre et la vis de terre (No. 18), et la rondelle dentée (No. 19) dans le sac de montage pour l'installation de mise à la terre.



Vous pouvez choisir le côté gauche ou le côté droit pour la mise à la terre.

### Opération de mise à la terre normale

- S'il n'y a pas de trou d'installation pour le fil de terre, percez un trou de dégagement de 1/8 pour la vis de mise à la terre sur le côté gauche du manchon mural, dans une zone dégagée à environ 3" maximum du bord avant du manchon, en utilisant la vis de mise à la terre et la rondelle dentée. Tirez l'extrémité libre du fil de terre vers l'avant du manchon et pliez-le temporairement vers le bas et autour du bord inférieur du manchon. Ce fil de terre sera fixé ultérieurement au cadre du climatiseur une fois qu'il sera installé.



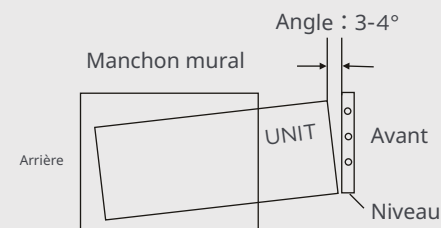
### Fonctionnement de fil de mise à la terre non conventionnel (perçage de trou requis)

- Le manchon mural doit être solidement fixé au mur avant d'installer le climatiseur. Si nécessaire, enfoncez plus de clous ou de vis à travers le manchon dans le mur (réparez la peinture si nécessaire).



### ATTENTION:

- Tous les manchons muraux utilisés pour monter le nouveau climatiseur doivent être en bon état structurel et avoir une grille arrière qui se fixe solidement au manchon, ou une bride arrière qui sert de butée pour le climatiseur.
- Lorsque l'installation est terminée, l'unité de remplacement DOIT avoir une pente vers l'arrière comme indiqué.
- N'utilisez aucun vis autre que celles spécifiées ici.

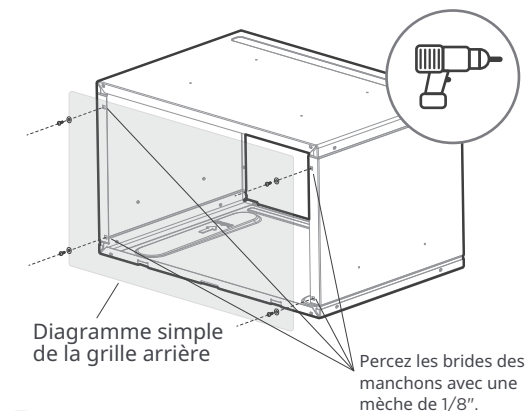
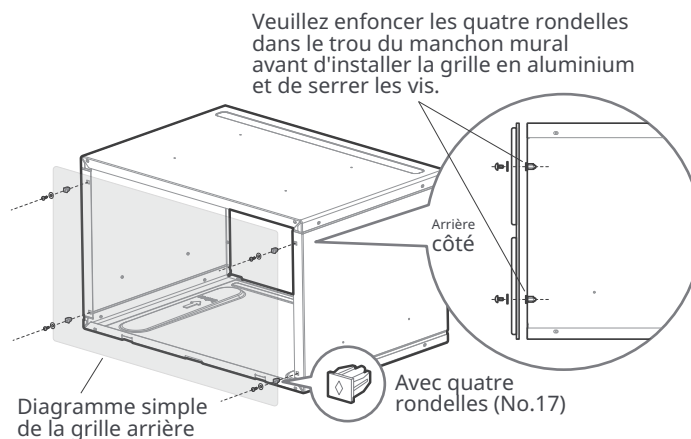
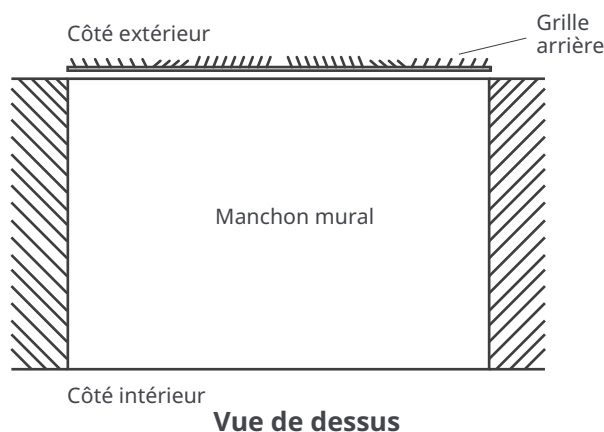


# Installation de la grille en aluminium.

# Installation de la nouvelle grille fournie avec l'unité

## REMARQUE

Nous avons un nouveau design pour la grille arrière (deux prises d'air arrière) pour améliorer les performances du produit. Veuillez utiliser la grille en aluminium que nous fournissons pour l'installation afin d'obtenir les meilleures performances du produit. La plupart des grilles extérieures décoratives peuvent être laissées en place tant que la grille de direction d'air intérieure appropriée est installée.



1

## Confirmation de la position d'installation.

- Retirez la grille existante.
- Placez la grille incluse avec le nouveau climatiseur vers l'arrière du manchon.

2

## Installer la grille en aluminium. (avec manchon mural normal)

- Fixez la nouvelle grille avec des vis auto-taraudeuses et des rondelles.

3

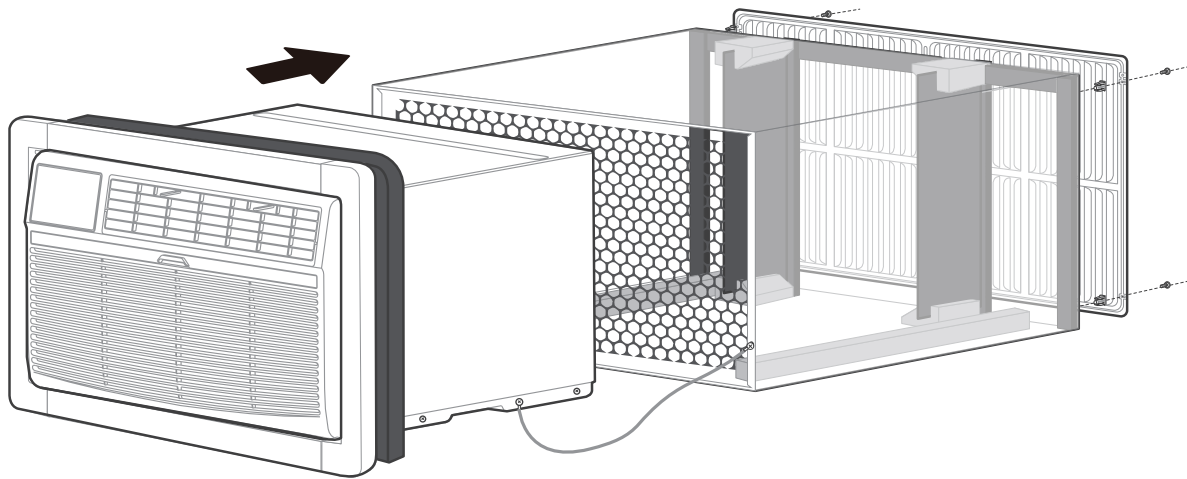
## Installer la grille en aluminium. (avec manchon mural non conventionnel)

- Marquez les positions des trous.
- Percez les brides des manchons avec une mèche de 1/8".
- Fixez la nouvelle grille avec des vis auto-taraudeuses et des rondelles.

# Installez votre produit.

Aperçu de l'installation

## #9 White Westinghouse ou Frigidaire, par exemple



### REMARQUE

Les illustrations de ce manuel ont une fonction explicative. La forme réelle de votre unité intérieure peut être différente de celle illustrée. légèrement différente. La forme réelle prévaloir.



### IMPORTANT

Conservez ces instructions pour l'usage des inspecteurs locaux. Respectez tous les codes et ordonnances en vigueur. L'installation correcte est la responsabilité de l'installateur. Les défaillances du produit dues à une installation incorrecte ne sont pas couvertes par la garantie.

Nous fournirons neuf méthodes d'installation, veuillez choisir l'une des méthodes d'installation correspondantes (suivez les instructions à la page 7 pour déterminer le type) pour terminer l'installation.

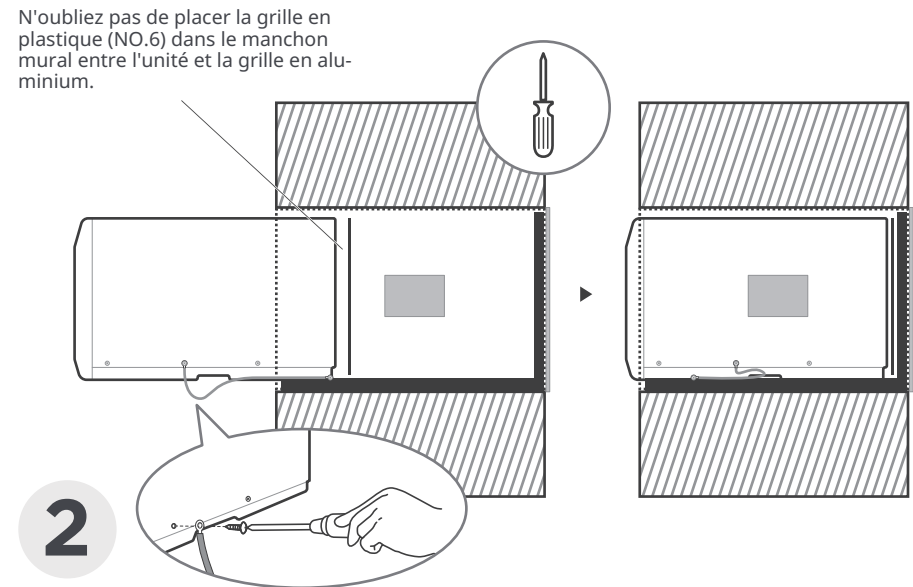
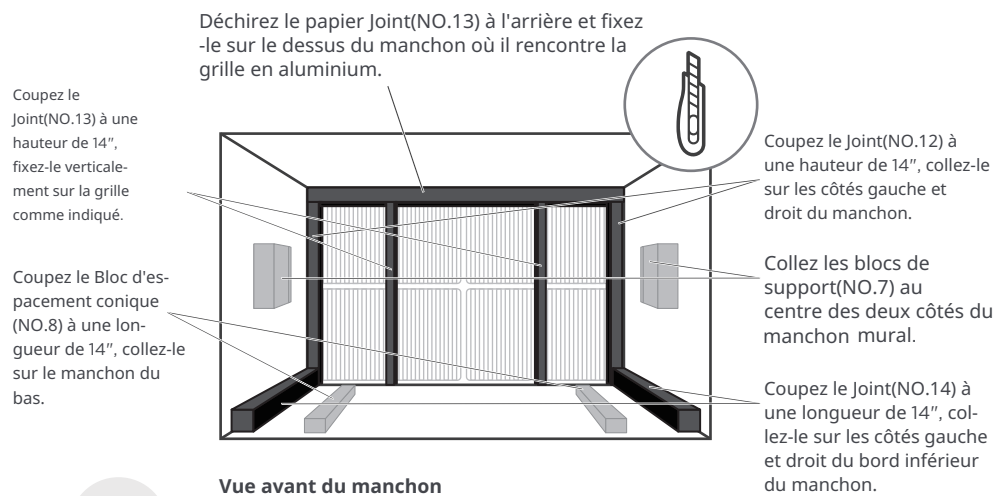
Si vous rencontrez des difficultés Lors du montage de la grille sur le manchon, suivez les instructions pour le montage direct à la page 20.

# #1 Emerson (15" Profond)

## REMARQUE

Complétez la première étape d'installation selon le guide d'installation de la couverture murale (page 8) et le guide d'installation de la grille en aluminium (page 9).

## Guide d'installation avant l'incorporation du produit dans le mur



## Collez le joint fixe selon la figure et les instructions ci-dessus.

Les joints et les blocs illustrés ci-dessus sont tous soutenus par de la colle. Vous devez déchirer le papier pour coller et fixer lors de l'installation. S'il vous plaît soyez prudent lorsque vous coupez.

## Connexion de mise à la terre complète et manchon mural intégré au produit.

Sortez l'extrémité non connectée du fil de terre dans le manchon mural, puis intégrez l'unité dans le manchon mural, comme indiqué, puis maintenez-la. Utilisez un tournevis pour dévisser la deuxième vis sous l'unité et serrez la connexion du fil de terre (assurez-vous que la rondelle dentée est contre l'armoire).

Faites glisser l'unité complètement vers l'arrière pour assurer une bonne étanchéité, en veillant à ce que le fil de terre ne s'emmêle pas.

# #2 Fedders (19-3/4" Profond)

## REMARQUE

Complétez la première étape d'installation selon le guide d'installation de la couverture murale (page 8) et le guide d'installation de la grille en aluminium (page 9).

## Guide d'installation avant l'incorporation du produit dans le mur

Coupez le Joint (NO.13) à une hauteur de 14", fixez-le verticalement sur la grille comme indiqué.

Coupez le joint (NO.14) à une longueur de 18", collez-le sur les côtés gauche et droit du bord inférieur du manchon.

Déchirez le papier Joint (NO.13) à l'arrière et fixez-le sur le dessus du manchon où il rencontre la grille en aluminium.

Coupez le Joint (NO.12) à une hauteur de 14", collez-le sur les côtés gauche et droit du manchon.

Collez les blocs de support (NO.7) au centre des deux côtés du manchon mural.

Coupez le bloc d'espacement conique (NO.8) et collez-le sur le manchon du bas comme indiqué (cette opération permet au produit de bien s'écouler).

**1** Vue avant du manchon

17"  
3/4" Bloc d'espacement conique  
Protection papier de support  
Coupez-le 4" 1"

## Collez le joint fixe selon la figure et les instructions ci-dessus.

Les joints et les blocs illustrés ci-dessus sont tous soutenus par de la colle. Vous devez déchirer le papier pour coller et fixer lors de l'installation. S'il vous plaît soyez prudent lorsque vous coupez.

N'oubliez pas de placer la grille en plastique (NO.6) dans le manchon mural entre l'unité et la grille en aluminium.

**2**

## Connexion de mise à la terre complète et manchon mural intégré au produit.

Sortez l'extrémité non connectée du fil de terre dans le manchon mural, puis intégrez l'unité dans le manchon mural, comme indiqué, puis maintenez-la. Utilisez un tournevis pour dévisser la deuxième vis sous l'unité et serrez la connexion du fil de terre (assurez-vous que la rondelle dentée est contre l'armoire).

Faites glisser l'unité complètement vers l'arrière pour assurer une bonne étanchéité, en veillant à ce que le fil de terre ne s'emmêle pas.

# #3 Fedders ou Friedrich (16-3/4" Profond)

## REMARQUE

Complétez la première étape d'installation selon le guide d'installation de la couverture murale (page 8) et le guide d'installation de la grille en aluminium (page 9).

## Guide d'installation avant l'incorporation du produit dans le mur

Coupez le Joint (NO. 13) à une hauteur de 14", fixez-le verticalement sur la grille comme indiqué.

Coupez le joint (NO. 14) à une longueur de 15", collez-le sur les côtés gauche et droit du bord inférieur du manchon.

Déchirez le papier Joint (NO. 13) à l'arrière et fixez-le sur le dessus du manchon où il rencontre la grille en aluminium.

Coupez le Joint (NO. 12) à une hauteur de 14", collez-le sur les côtés gauche et droit du manchon.

Collez les blocs de support (NO. 7) au centre des deux côtés du manchon mural.

Coupez le bloc d'espacement conique (NO. 8), et collez-le sur le manchon du bas comme indiqué (cette opération permet au produit de bien s'écouler).

N'oubliez pas de placer la grille en plastique (NO. 6) dans le manchon mural entre l'unité et la grille en aluminium.

**1** Vue avant du manchon

3/4" Protection papier de support

Coupez-le 17"

Bloc d'espacement conique

2" 12-1/2" 2-1/2" 1"

**2**

## Collez le joint fixe selon la figure et les instructions ci-dessus.

Les joints et les blocs illustrés ci-dessus sont tous soutenus par de la colle. Vous devez déchirer le papier pour coller et fixer lors de l'installation. S'il vous plaît soyez prudent lorsque vous coupez.

## Connexion de mise à la terre complète et manchon mural intégré au produit.

Sortez l'extrémité non connectée du fil de terre dans le manchon mural, puis intégrez l'unité dans le manchon mural, comme indiqué, puis maintenez-la. Utilisez un tournevis pour dévisser la deuxième vis sous l'unité et serrez la connexion du fil de terre (assurez-vous que la rondelle dentée est contre l'armoire).

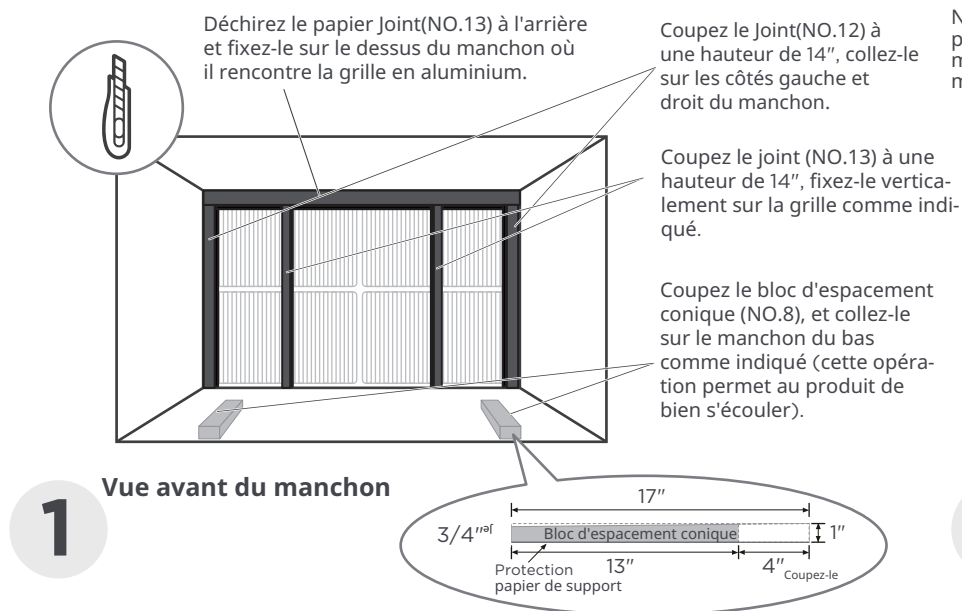
Faites glisser l'unité complètement vers l'arrière pour assurer une bonne étanchéité, en veillant à ce que le fil de terre ne s'emmêle pas.

# #4 General Electra/Hotpoint (16-7/8" Profond)

## REMARQUE

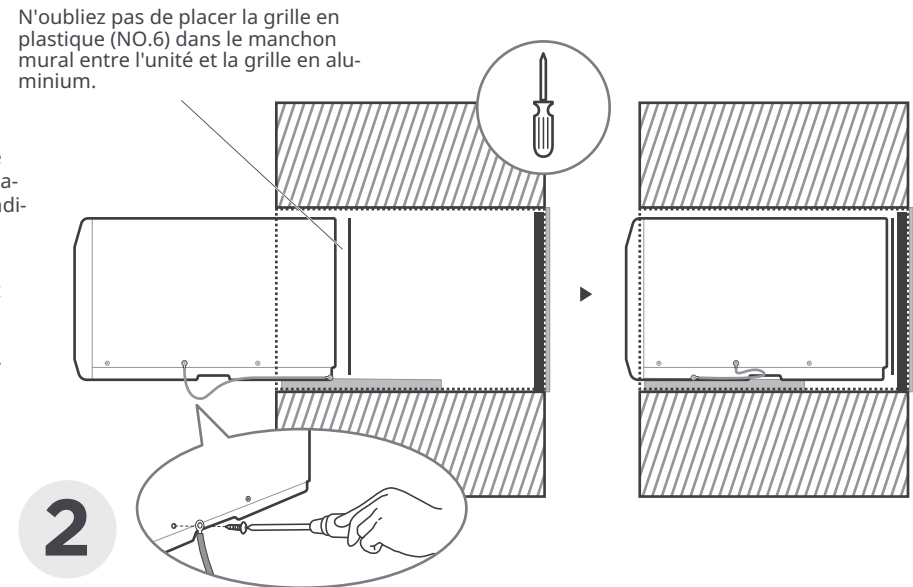
Complétez la première étape d'installation selon le guide d'installation de la couverture murale (page 8) et le guide d'installation de la grille en aluminium (page 9).

## Guide d'installation avant l'incorporation du produit dans le mur



### Collez le joint fixe selon la figure et les instructions ci-dessus.

Les joints et les blocs illustrés ci-dessus sont tous soutenus par de la colle. Vous devez déchirer le papier pour coller et fixer lors de l'installation. S'il vous plaît soyez prudent lorsque vous coupez.



### Connexion de mise à la terre complète et manchon mural intégré au produit.

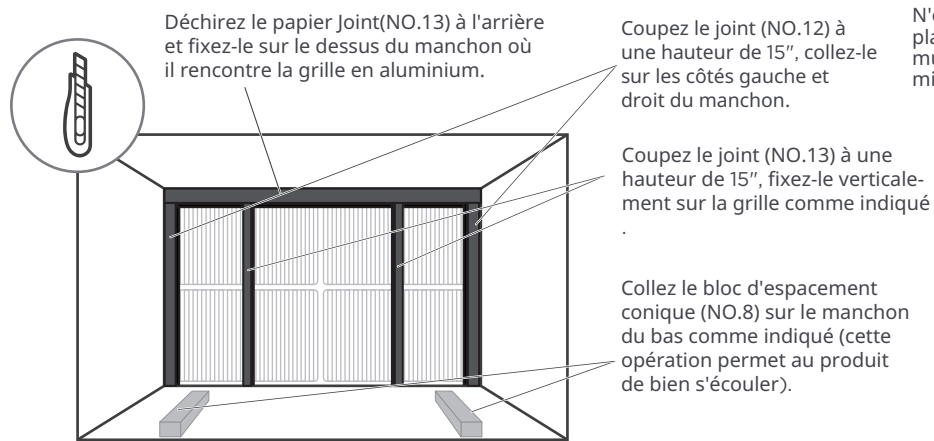
Sortez l'extrémité non connectée du fil de terre dans le manchon mural, puis intégrez l'unité dans le manchon mural, comme indiqué, puis maintenez-la. Utilisez un tournevis pour dévisser la deuxième vis sous l'unité et serrez la connexion du fil de terre (assurez-vous que la rondelle dentée est contre l'armoire).

Faites glisser l'unité complètement vers l'arrière pour assurer une bonne étanchéité, en veillant à ce que le fil de terre ne s'emmêle pas.

## REMARQUE

Complétez la première étape d'installation selon le guide d'installation de la couverture murale (page 8) et le guide d'installation de la grille en aluminium (page 9).

## Guide d'installation avant l'incorporation du produit dans le mur

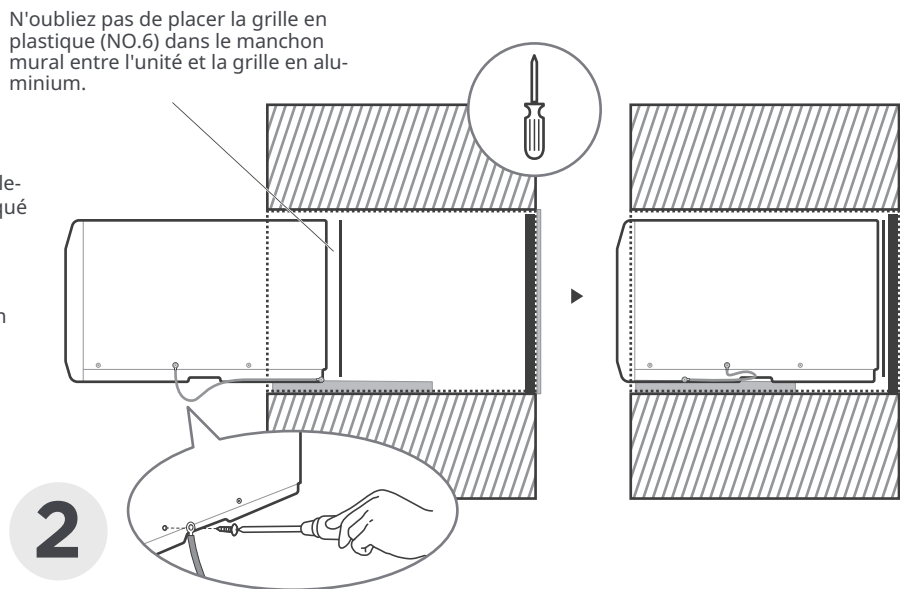


Vue avant du manchon

1

### Collez le joint fixe selon la figure et les instructions ci-dessus.

Les joints et les blocs illustrés ci-dessus sont tous soutenus par de la colle. Vous devez déchirer le papier pour coller et fixer lors de l'installation. S'il vous plaît soyez prudent lorsque vous coupez.



2

### Connexion de mise à la terre complète et manchon mural intégré au produit.

Sortez l'extrémité non connectée du fil de terre dans le manchon mural, puis intégrez l'unité dans le manchon mural, comme indiqué, puis maintenez-la. Utilisez un tournevis pour dévisser la deuxième vis sous l'unité et serrez la connexion du fil de terre (assurez-vous que la rondelle dentée est contre l'armoire).

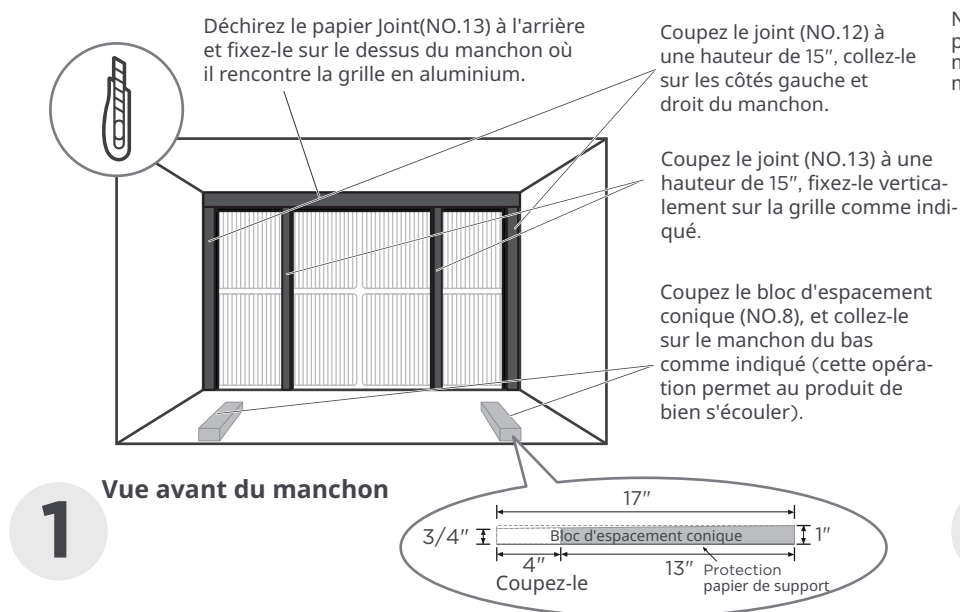
Faites glisser l'unité complètement vers l'arrière pour assurer une bonne étanchéité, en veillant à ce que le fil de terre ne s'emmêle pas.

# #6 Whirlpool (17-1/8" Profond)

## REMARQUE

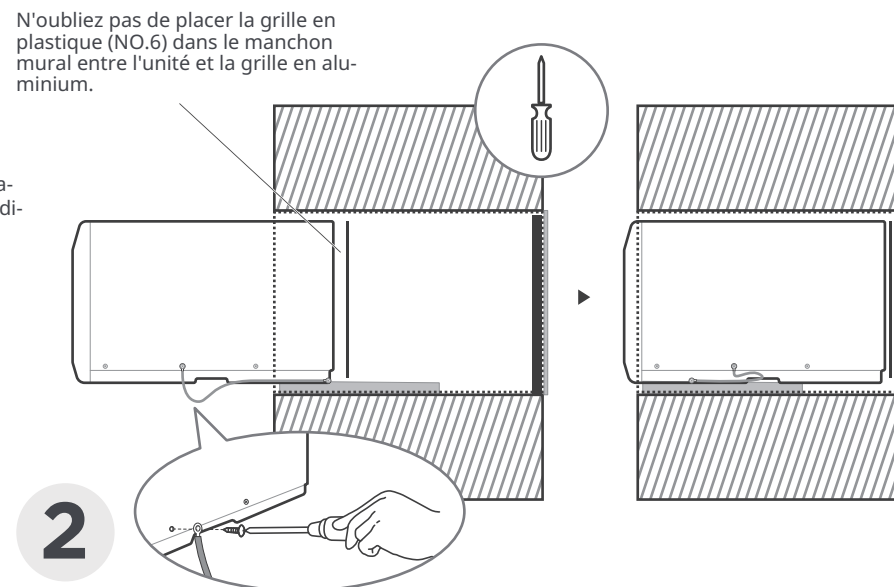
Complétez la première étape d'installation selon le guide d'installation de la couverture murale (page 8) et le guide d'installation de la grille en aluminium (page 9).

## Guide d'installation avant l'incorporation du produit dans le mur



### Collez le joint fixe selon la figure et les instructions ci-dessus.

Les joints et les blocs illustrés ci-dessus sont tous soutenus par de la colle. Vous devez déchirer le papier pour coller et fixer lors de l'installation. S'il vous plaît soyez prudent lorsque vous coupez.



### Connexion de mise à la terre complète et manchon mural intégré au produit.

Sortez l'extrémité non connectée du fil de terre dans le manchon mural, puis intégrez l'unité dans le manchon mural, comme indiqué, puis maintenez-la. Utilisez un tournevis pour dévisser la deuxième vis sous l'unité et serrez la connexion du fil de terre (assurez-vous que la rondelle dentée est contre l'armoire).

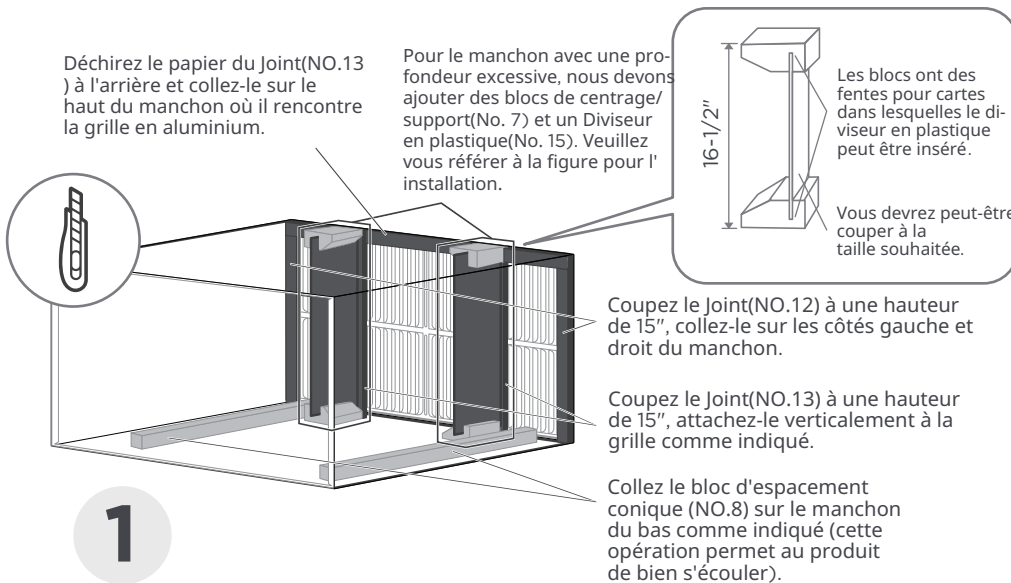
Faites glisser l'unité complètement vers l'arrière pour assurer une bonne étanchéité, en veillant à ce que le fil de terre ne s'emmêle pas.

# #7 Whirlpool(23" Profond)

## REMARQUE

Complétez la première étape d'installation selon le guide d'installation de la couverture murale (page 8) et le guide d'installation de la grille en aluminium (page 9).

## Guide d'installation avant l'incorporation du produit dans le mur

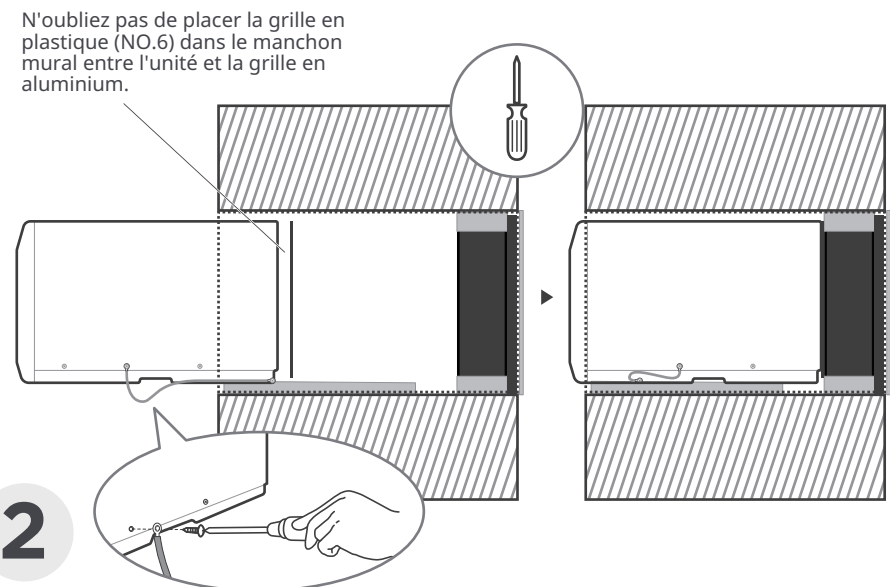


### Collez le joint fixe selon la figure et les instructions ci-dessus.

Les joints et les blocs illustrés ci-dessus sont tous soutenus par de la colle. Vous devez déchirer le papier pour coller et fixer lors de l'installation. S'il vous plaît soyez prudent lorsque vous coupez.

REMARQUE : Il y a deux avantages à ajouter la cloison arrière en plastique:

1. Entrée d'air efficace d'intervalle de sortie entre les grilles d'entrée et de sortie d'air à l'arrière de l'unité pour améliorer l'efficacité de l'entrée et de la sortie d'air
2. Jouer le rôle d'unité de stabilisation sous la condition de travail du produit.



### Connexion de mise à la terre complète et manchon mural intégré au produit.

Sortez l'extrémité non connectée du fil de terre dans le manchon mural, puis intégrez l'unité dans le manchon mural, comme indiqué, puis maintenez-la. Utilisez un tournevis pour dévisser la deuxième vis sous l'unité et serrez la connexion du fil de terre (assurez-vous que la rondelle dentée est contre l'armoire).

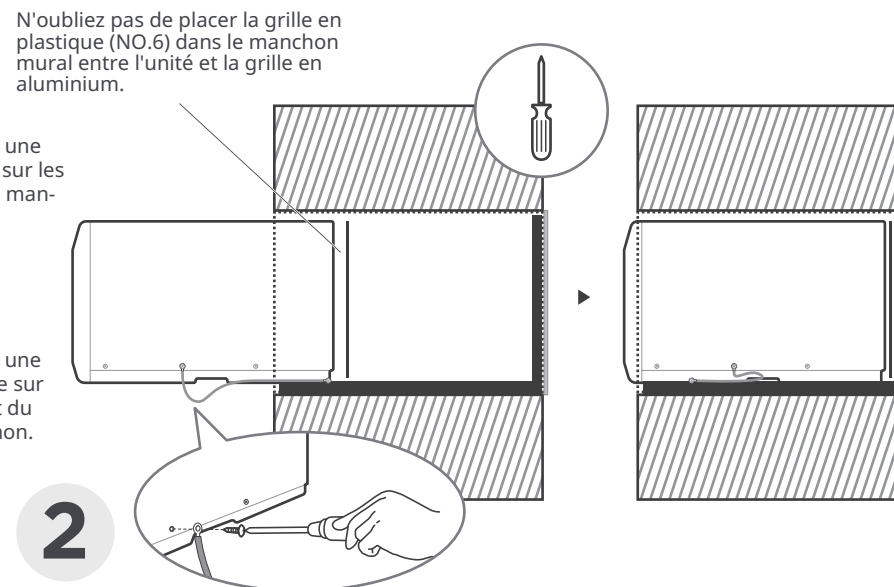
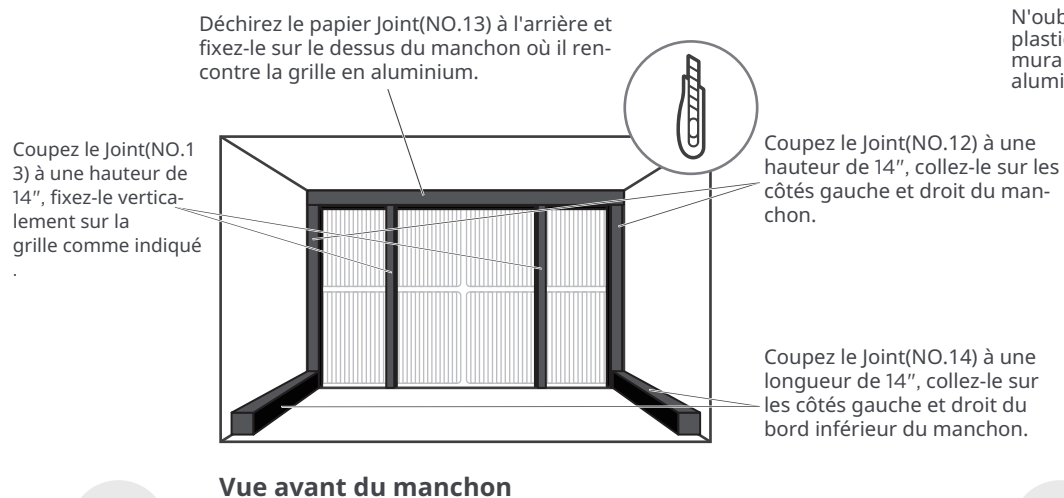
Faites glisser l'unité complètement vers l'arrière pour assurer une bonne étanchéité, en veillant à ce que le fil de terre ne s'emmêle pas.

# #8 White Westinghouse/Frigidaire/ Carrier 52F Series (16/17-1/2" Profond)

## REMARQUE

Complétez la première étape d'installation selon le guide d'installation de la couverture murale (page 8) et le guide d'installation de la grille en aluminium (page 9).

## Guide d'installation avant l'incorporation du produit dans le mur



**Collez le joint fixe selon la figure et les instructions ci-dessus.**

Les joints et les blocs illustrés ci-dessus sont tous soutenus par de la colle. Vous devez déchirer le papier pour coller et fixer lors de l'installation. S'il vous plaît soyez prudent lorsque vous coupez.

**Connexion de mise à la terre complète et manchon mural intégré au produit.**

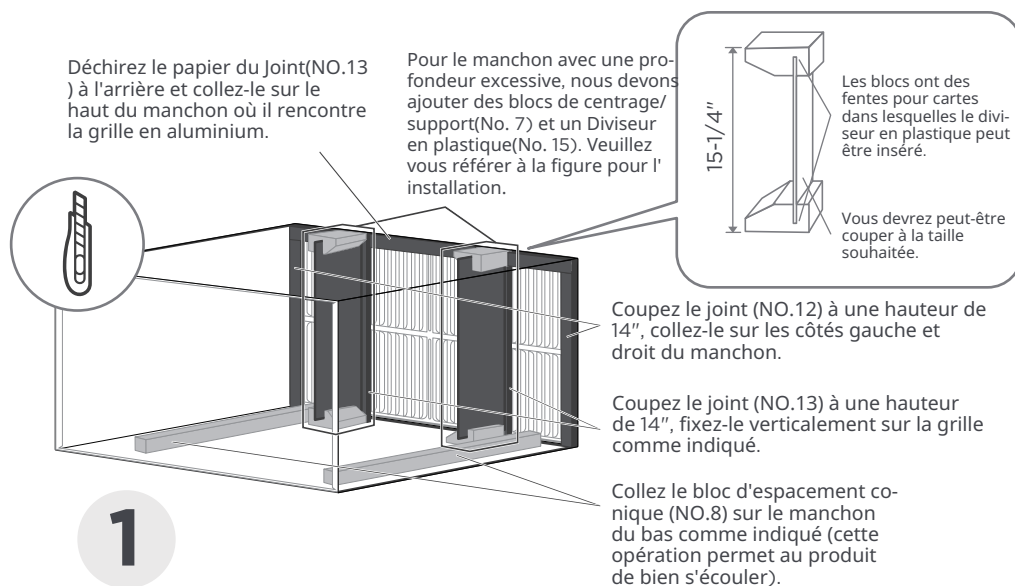
Sortez l'extrémité non connectée du fil de terre dans le manchon mural, puis intégrez l'unité dans le manchon mural, comme indiqué, puis maintenez-la. Utilisez un tournevis pour dévisser la deuxième vis sous l'unité et serrez la connexion du fil de terre (assurez-vous que la rondelle dentée est contre l'armoire).

Faites glisser l'unité complètement vers l'arrière pour assurer une bonne étanchéité, en veillant à ce que le fil de terre ne s'emmêle pas.

## REMARQUE

Complétez la première étape d'installation selon le guide d'installation de la couverture murale (page 8) et le guide d'installation de la grille en aluminium (page 9).

## Guide d'installation avant l'incorporation du produit dans le mur

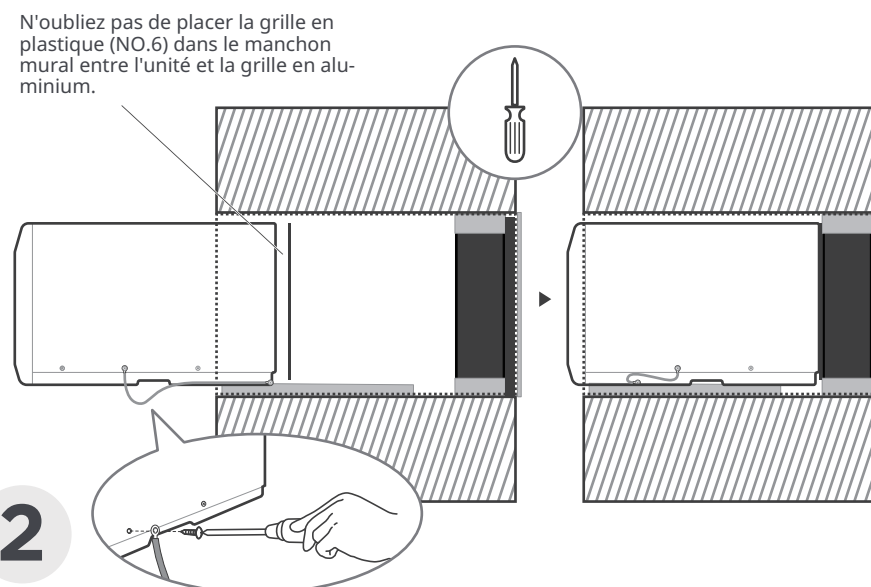


### Collez le joint fixe selon la figure et les instructions ci-dessus.

Les joints et les blocs illustrés ci-dessus sont tous soutenus par de la colle. Vous devez déchirer le papier pour coller et fixer lors de l'installation. S'il vous plaît soyez prudent lorsque vous coupez.

REMARQUE : Il y a deux avantages à ajouter la cloison arrière en plastique:

1. Entrée d'air efficace d'intervalle de sortie entre les grilles d'entrée et de sortie d'air à l'arrière de l'unité pour améliorer l'efficacité de l'entrée et de la sortie d'air
2. Jouer le rôle d'unité de stabilisation sous la condition de travail du produit.



### Connexion de mise à la terre complète et manchon mural intégré au produit.

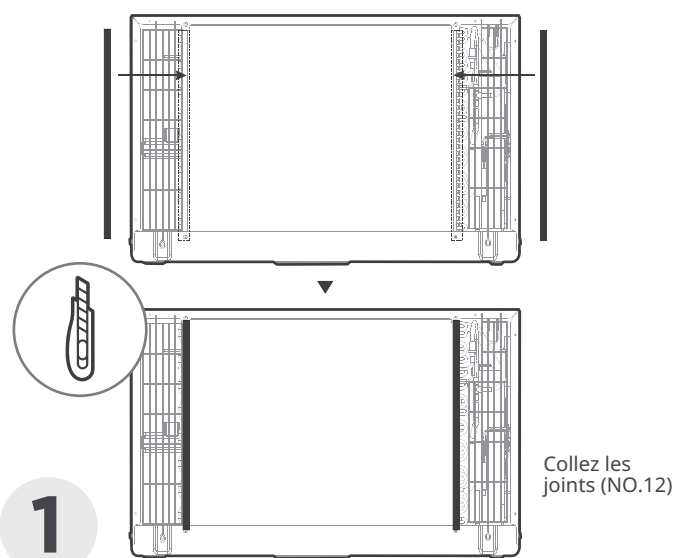
Sortez l'extrémité non connectée du fil de terre dans le manchon mural, puis intégrez l'unité dans le manchon mural, comme indiqué, puis maintenez-la. Utilisez un tournevis pour dévisser la deuxième vis sous l'unité et serrez la connexion du fil de terre (assurez-vous que la rondelle dentée est contre l'armoire).

Faites glisser l'unité complètement vers l'arrière pour assurer une bonne étanchéité, en veillant à ce que le fil de terre ne s'emmêle pas.

# Vous pouvez installer la grille en aluminium en premier.

## REMARQUE

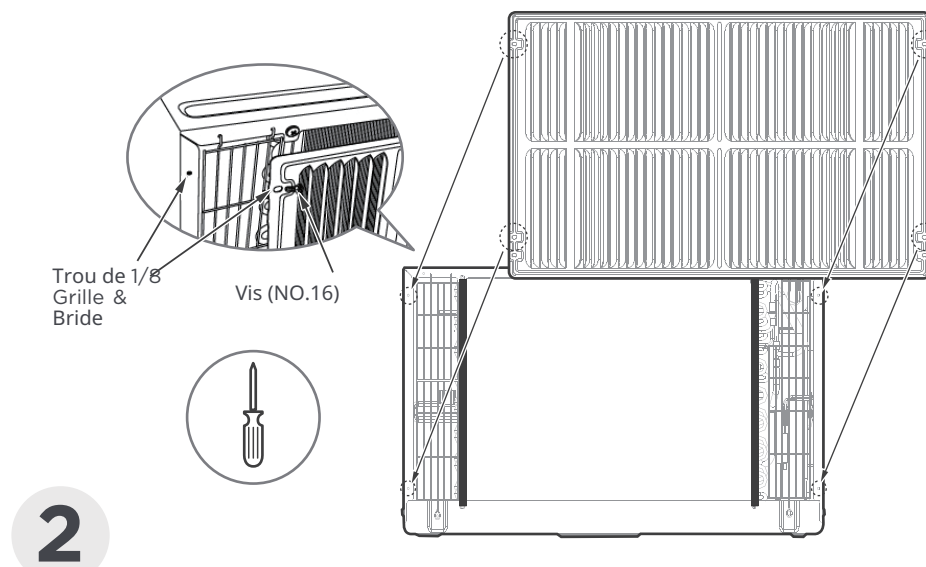
- Les instructions précédentes sont la méthode préférable pour monter la nouvelle grille en aluminium. Les performances de l'unité sont légèrement meilleures et la possibilité de courants d'air est réduite. En dernier recours, le montage direct de la grille sur l'unité peut être envisagé (le tutoriel d'installation suit).
- La grille en aluminium doit être installée avant d'insérer l'unité dans le manchon.



## 1 Collez les joints (NO.12) comme indiqué.

Collez les joints (NO.12) comme indiqué. Il fournit une distance de sécurité entre les ailettes et l'aluminium

La grille, et agit comme un tampon pour les empêcher pour éviter tout contact.

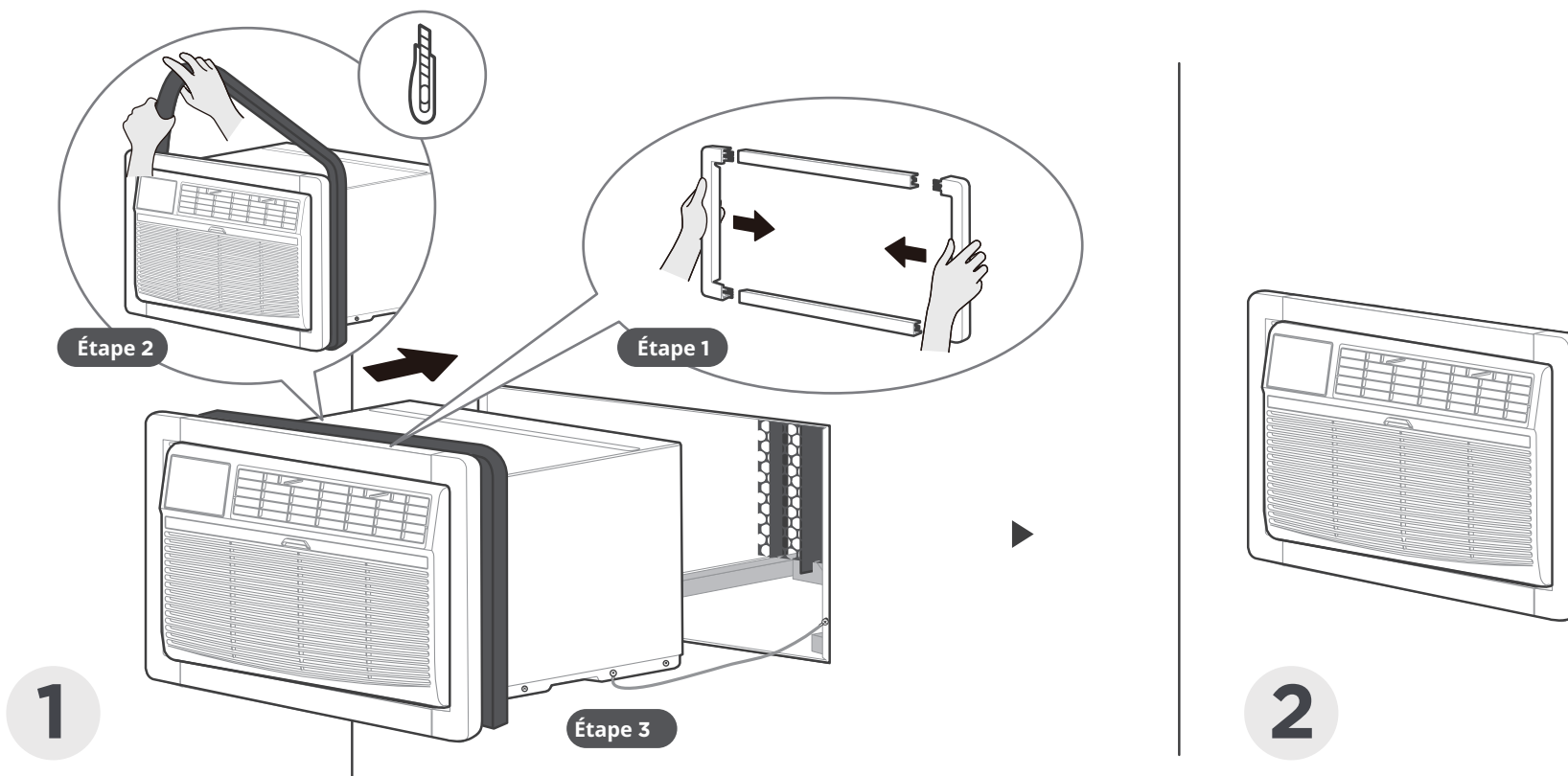


## 2 Installez l'unité avec la grille en aluminium et enfoncez-la dans le manchon mural.

Alignez la grille en aluminium avec le trou arrière de l'unité comme indiqué, puis serrez-la et fixez-la à l'aide de vis et de rondelles de vis (NO.16). Le côté saillant de l'ailette de la grille en aluminium doit être monté vers l'extérieur.

Si l'unité n'a pas été pré-percée, percez soigneusement quatre trous de 1/8" à travers la grille et dans la bride latérale de l'unité, puis fixez-la avec des vis (NO.16). Faites attention à ne pas percer les bobines d'échangeur de chaleur en cuivre. Enfin, insérez l'unité dans le manchon.

# Enfin, faites un travail cosmétique sur votre produit.



## Faites un travail cosmétique.

Étape 1 : Assemblez le cadre de garniture (NO.2) en insérant les pièces supérieure et inférieure dans les pièces latérales (NO.3), et enfoncez-le dans l'unité à fleur avec le panneau avant.

Étape 2 : Installez le Long Garniture - joint (NO.9) entre le manchon mural et l'unité. Enveloppez fermement la mousse autour du fuselage et coupez soigneusement. Retirez l'excès à l'aide d'un couteau.

Étape 3 : Faites glisser le cadre, le joint et l'unité avec précaution dans le manchon mural pour la fixation interne, en veillant à ce que le fil de mise à la terre soit également correctement placé et non endommagé.

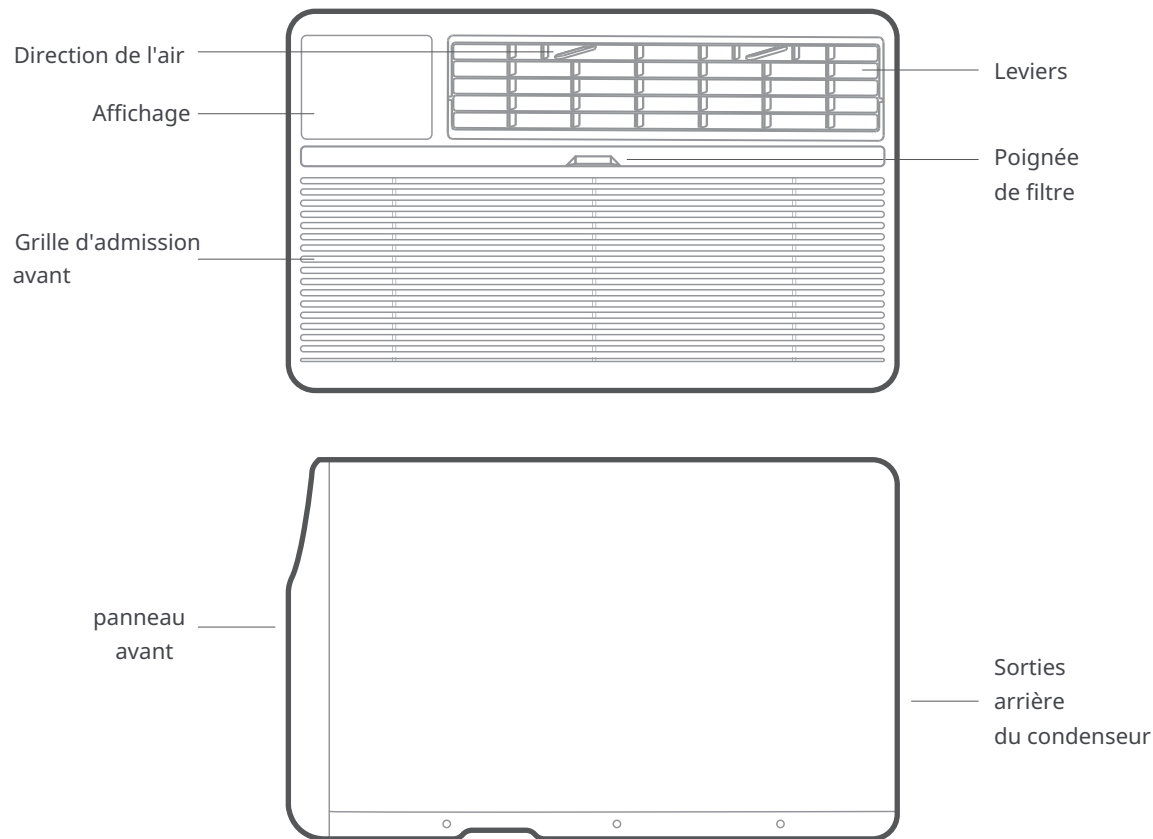
## L'installation est terminée.

Félicitations pour l'installation, mais vous n'avez pas fini. Faites une pause ! Et puis, apprenez à mieux connaître votre produit.

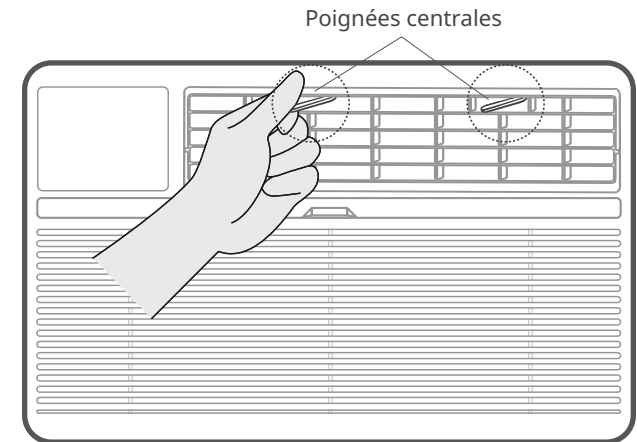
# Apprenez à connaître votre climatiseur.

Aperçu de l'unité de climatisation

## Composants du produit



## Ajuster la direction de l'air



Les persiennes directionnelles contrôlent la direction du flux d'air. Votre climatiseur dispose du système directionnel à 4 voies décrit ci-dessous. Les persiennes vous permettront de diriger le flux d'air vers le haut ou horizontalement, et vers la gauche ou la droite dans la pièce selon les besoins. Utilisez les poignées centrales pour ajuster les persiennes directionnelles de gauche à droite jusqu'à ce que la direction gauche ou droite souhaitée soit obtenue. Faites pivoter les persiennes horizontales avec vos doigts jusqu'à ce que la direction souhaitée vers le haut ou horizontale soit obtenue.



**ATTENTION:** Ne pas mettre les doigts dans la sortie d'air, cela peut causer une blessure.

# Découvrez les fonctionnalités.

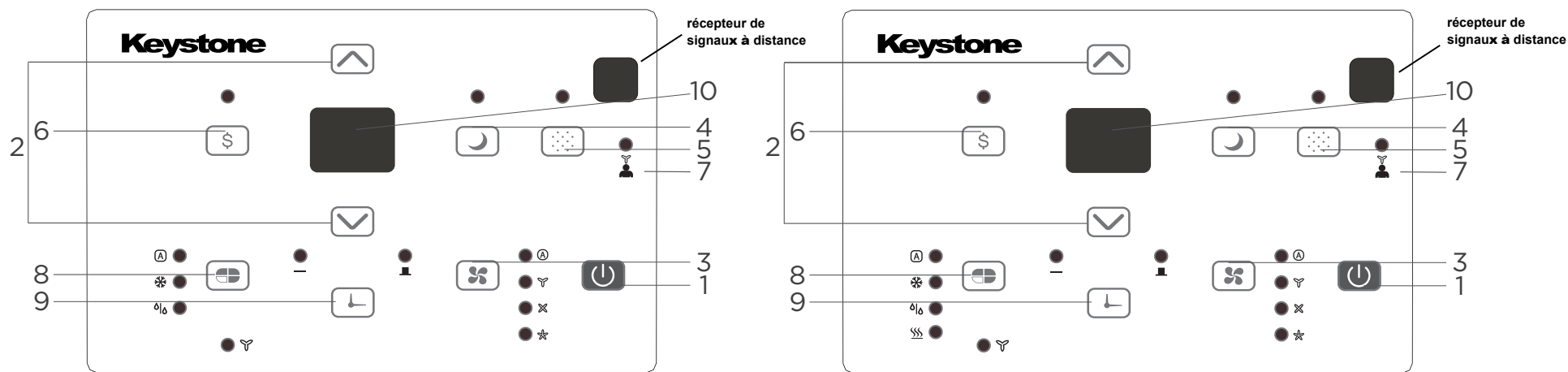
## INSTRUCTIONS DE FONCTIONNEMENT DE LA COMMANDE ÉLECTRONIQUE

### REMARQUE

- Avant de commencer, familiarisez-vous parfaitement avec le panneau de commande tel qu'illustré ci-dessous et toutes ses fonctions, puis suivez le symbole pour les fonctions que vous désirez. L'unité peut être contrôlée par la commande de l'unité seule ou avec la télécommande.
- Ce panneau de commande est basé sur le modèle typique. Toutes les fonctions décrites dans ce manuel ne sont pas disponibles pour tous les modèles.

Le modèle que vous avez acheté peut être légèrement différent.

- Si l'appareil s'arrête inopinément en raison d'une coupure de courant, il redémarre automatiquement avec le réglage de la fonction précédente lorsque le courant revient.
- La fonction CHAUFFAGE est réservée aux modèles de chauffage uniquement.



### 1. POUR ALLUMER OU ÉTEINDRE L'APPAREIL :

Appuyez sur  le bouton POWER pour allumer ou éteindre l'unité.

REMARQUE:L'appareil activera automatiquement la fonction Économie d'énergie sous les modes Froid, Sec, Auto (uniquement les modes Auto-Froid et Auto-Ventilateur).




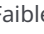

# INSTRUCTIONS DE FONCTIONNEMENT DE LA COMMANDE ÉLECTRONIQUE

## 2. POUR CHANGER LE RÉGLAGE DE TEMPÉRATURE:


Appuyez sur les boutons  /  HAUT/BAS pour changer le réglage de température.

REMARQUE: Appuyez ou maintenez enfoncé le bouton HAUT ou BAS jusqu'à ce que la température souhaitée s'affiche sur l'écran. Cette température sera automatiquement maintenue entre 17°C (62°F) et 30°C (86°F). Si vous souhaitez que l'affichage indique la température réelle de la pièce, consultez la section Fonctionnement en mode Ventilateur uniquement.

## 3. POUR AJUSTER LES VITESSES DE VENTILATEUR:


Appuyez sur  pour sélectionner la vitesse de ventilateur en quatre étapes:  Auto,  Faible,  Moyen ou  Élevé. Chaque fois que le bouton est pressé, le mode de vitesse de ventilateur est décalé. - Pour certains modèles, la vitesse de ventilateur ne peut pas être ajustée en mode CHALEUR. En mode SEC, la vitesse de ventilateur est automatiquement contrôlée à Faible.

## 4. FONCTION SOMMEIL :


Appuyez sur  le bouton Sommeil pour activer le mode sommeil. Dans ce mode, la température sélectionnée augmentera (refroidissement) ou diminuera (chauffage) de 2°F/1°C 30 minutes après la sélection du mode. La température augmentera ensuite (refroidissement) ou diminuera (chauffage) de 2°F/1°C après 30 minutes supplémentaires.

Cette nouvelle température sera maintenue pendant 7 heures avant de revenir à la température initialement sélectionnée. Cela met fin au mode Sommeil et l'unité continuera à fonctionner comme programmé initialement. Le programme du mode Sommeil peut être annulé à tout moment pendant le fonctionnement en appuyant à nouveau sur le bouton Sommeil.


## 5. FONCTION DE VÉRIFICATION DU FILTRE:

Appuyez sur  le bouton Check filter pour lancer la fonction. Cette fonction rappelle qu'il faut nettoyer le filtre à air pour un fonctionnement plus efficace. Le voyant s'allume après 250 heures de fonctionnement. Pour réinitialiser après le nettoyage du filtre, appuyez sur le bouton Vérifier le filtre et le voyant s'éteindra.



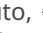
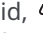


## 6. FONCTION ÉCONOMISEUR D'ÉNERGIE :

Appuyez sur  la touche d'économie d'énergie pour lancer cette fonction. Cette fonction est disponible en modes COOL, DRY, AUTO (uniquement AUTO-COOLING et AUTO-FAN). Le ventilateur continue de fonctionner pendant 3 minutes après l'arrêt du compresseur. Le ventilateur continue de fonctionner pendant 3 minutes après l'arrêt du compresseur. Le ventilateur se met ensuite en marche pendant 2 minutes à intervalles de 10 minutes jusqu'à ce que la température de la pièce soit supérieure à la température réglée, après quoi le compresseur se remet en marche et le refroidissement commence.

## 7. FONCTION SUIVEZ-MOI :

Cette fonction  peut être activée uniquement à partir de la télécommande. La télécommande sert de thermostat à distance permettant un contrôle précis de la température à son emplacement. Pour activer la fonction Suivez-moi, pointez la télécommande vers l'unité et appuyez sur le bouton Suivez-moi. L'affichage de la télécommande est la température réelle à son emplacement. La télécommande enverra ce signal au climatiseur toutes les 3 minutes jusqu'à ce que vous appuyiez à nouveau sur le bouton Suivez-moi. Si l'unité ne reçoit pas le signal Suivez-moi pendant une période de 7 minutes, l'unité émettra un bip pour indiquer que le mode Suivez-moi est terminé.

## 8. POUR SÉLECTIONNER LE MODE DE FONCTIONNEMENT :

Pour choisir le mode de fonctionnement, appuyez sur  le bouton Mode. À chaque pression sur le bouton, un mode est sélectionné dans une séquence qui va de  Auto,  Froid,  Sec,  Chaleur (uniquement pour les modèles de refroidissement sans chauffage) et  Ventilateur. Le voyant à côté sera allumé et restera allumé une fois le mode sélectionné. L'unité initiera automatiquement la fonction Économie d'énergie sous les modes Froid, Sec, Auto (uniquement les modes Auto-Cooling et Auto-Fan).

# INSTRUCTIONS DE FONCTIONNEMENT DE LA COMMANDE ÉLECTRONIQUE

## Pour fonctionner en mode Auto :

- Lorsque vous réglez le climatiseur en mode AUTO, il sélectionnera automatiquement le refroidissement, le chauffage (modèles de refroidissement uniquement sans), ou le fonctionnement de ventilateur uniquement en fonction de la température que vous avez sélectionnée et de la température de la pièce.
- Le climatiseur contrôlera automatiquement la température de la pièce autour du point de température que vous avez défini. Dans ce mode, la vitesse du ventilateur ne peut pas être ajustée, elle démarre automatiquement à une vitesse en fonction de la température de la pièce.

## Pour fonctionner en mode FROID :

- Choisissez le mode Froid pour activer la fonction de refroidissement. Utilisez les boutons Haut et Bas pour choisir la température souhaitée. Lorsque le mode Froid est sélectionné, la vitesse du ventilateur peut être ajustée en appuyant sur le bouton du ventilateur.

## Pour fonctionner en mode CHALEUR

### (les modèles de refroidissement uniquement sont exclus) :

- Choisissez le mode Chaleur pour démarrer l'opération de chauffage. Utilisez les boutons Haut et Bas pour régler la température souhaitée. Appuyez sur le bouton du ventilateur pour sélectionner la vitesse du ventilateur. Pour certains modèles, la vitesse du ventilateur ne peut pas être ajustée.


## Pour fonctionner en mode Ventilateur uniquement :

- Utilisez cette fonction uniquement lorsque le refroidissement n'est pas souhaité, comme pour la circulation de l'air dans la pièce ou pour évacuer l'air vicié (facultatif)-N'oubliez pas d'ouvrir la
- Pendant cette fonction, l'affichage affichera la température réelle de la pièce, pas la température réglée comme dans le mode de refroidissement.
- En mode ventilateur seul, la température n'est pas ajustée.

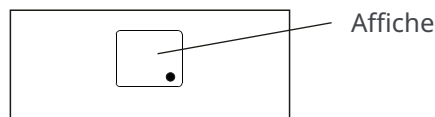
## Pour fonctionner en mode SEC :

- Dans ce mode, le climatiseur fonctionnera généralement sous forme de déshumidificateur. Comme l'espace conditionné est une zone fermée ou scellée, une certaine quantité de refroidissement continuera.

## 9. PROGRAMMATEUR: FONCTION DE DÉMARRAGE/ARRÊT AUTOMATIQUE:

- Lorsque l'appareil est en marche ou à l'arrêt, appuyez d'abord sur  la touche Timer, le voyant du PROGRAMMATEUR ON s'allume. Il indique que le programme de démarrage automatique est lancé.
- Lorsque le temps du PROGRAMMATEUR ON est affiché, appuyez à nouveau sur le bouton du programmeur, le voyant du PROGRAMMATEUR OFF s'allume. Cela indique que le programme d'arrêt automatique est initié.
- Appuyez ou maintenez le bouton HAUT ou BAS pour changer le temps Auto par incréments de 0,5 heure, jusqu'à 10 heures, puis par incréments d'une heure jusqu'à 24 heures. Le contrôle comptera le temps restant jusqu'au démarrage. Le temps sélectionné sera enregistré dans les 5 secondes, et le système reviendra automatiquement à l'affichage du réglage de température précédent ou de la température de la pièce.
- Allumer ou éteindre l'appareil à tout moment ou ajuster le réglage de minuterie à 0,0 annule le programme chronométré de démarrage/arrêt automatique.

## 10. AFFICHAGE:



Affiche la température réglée en "°C" ou "°F" et les paramètres de minuterie automatique. En mode Ventilateur uniquement, il affiche la température de la pièce. Si la température de la pièce est trop élevée ou trop basse, il affichera "HI" ou "LO".

### Codes d'erreur :

FR -Erreur de capteur de température de la pièce- Débranchez l'appareil et rebranchez-le. Si l'erreur se répète, appelez le service.  
FR -Erreur de capteur de température de l'évaporateur- Débranchez l'appareil et rebranchez-le. Si l'erreur se répète, appelez le service.

**HS** -Erreur de capteur de chauffage électrique - Débranchez l'appareil et rebranchez-le. Si l'erreur se répète, appelez le service.

**CS** -Le capteur du condenseur de l'unité extérieure est défectueux- Débranchez l'appareil et rebranchez-le. Si l'erreur se répète, appelez le service.

**oS** -Erreur de capteur de température ambiante - Débranchez l'appareil et rebranchez-le. Si l'erreur se répète, appelez le service.

**E3** - Erreur de blocage du ventilateur- Débranchez l'appareil et rebranchez-le. Si l'erreur se répète, appelez le service.

**EO** - Défaillance du paramètre EEPROM- Débranchez l'appareil et rebranchez-le. Si l'erreur se répète, appelez le service.

1

### **Votre climatiseur peut sembler a little different.**

Toutes les illustrations de ce manuel sont à titre explicatif uniquement. Votre climatiseur conditioner may be slightly different. La forme réelle prévaudra.

2

### **Autres choses que vous devriez savoir.**

Maintenant que vous avez maîtrisé la procédure de fonctionnement, voici d'autres fonctionnalités de votre contrôle que vous devriez connaître.

- Le circuit Cool dispose d'une temporisation automatique de 3 minutes time delayed start if the unit is turned off et s'allume rapidement. Cela empêche la surchauffe du compresseur et le déclenchement éventuel du disjoncteur. Le ventilateur continuera de fonctionner pendant ce temps.
- Le contrôle est capable d'afficher la température en degrés Fahrenheit ou Celsius. Pour convertir de l'un à l'autre, appuyez et maintenez enfoncés les boutons Temp/Minuterie gauche et droit en même temps, pendant 3 secondes.

3

### **Bruit Normal / Performance Sonore**

#### **Bavardage Aigu**

High efficiency compressors may have a un bavardage aigu pendant le cycle de refroidissement.

#### **Bruit de l'Air en Mouvement**

À l'avant de l'appareil, vous pouvez entendre le bruit de l'air qui circule sous l'effet du ventilateur.

#### **Glouglou/Sifflement**

Un bruit de «glouglou ou de sifflement» peut être entendu en raison du passage du réfrigérant à travers l'évaporateur pendant le fonctionnement normal.

#### **Vibration**

L'appareil peut vibrer et faire du bruit en raison d'une mauvaise construction murale ou de fenêtre ou d'une installation incorrecte.

#### **Ping ou Commutation**

Des gouttelettes d'eau frappant le condenseur pendant le fonctionnement normal peuvent causer des bruits de «clac ou de claquement».

# Nettoyage et entretien

Comment nettoyer et changer votre filtre.

## Vérifiez le filtre à air au moins une fois par mois pour voir s'il est nécessaire de le nettoyer.

### Nettoyage du filtre à air

Le filtre à air doit être vérifié au moins une fois par mois pour voir s'il est nécessaire de le nettoyer. Les particules piégées dans le filtre peuvent s'accumuler et causer une accumulation de givre sur les bobines de refroidissement.

- Prenez le filtre par le centre et tirez vers le haut et vers l'extérieur.
- Lavez le filtre à l'aide de liquide vaisselle et d'eau tiède. Rincez le filtre soigneusement. Secouez doucement l'excès d'eau du filtre.

Assurez-vous que le filtre est complètement sec avant de le remettre en place. Ou, au lieu de le laver, vous pouvez nettoyer le filtre à l'aspirateur.

**Note:** N'utilisez jamais de l'eau chaude supérieure à 40°C (104°F) pour nettoyer le filtre à air.

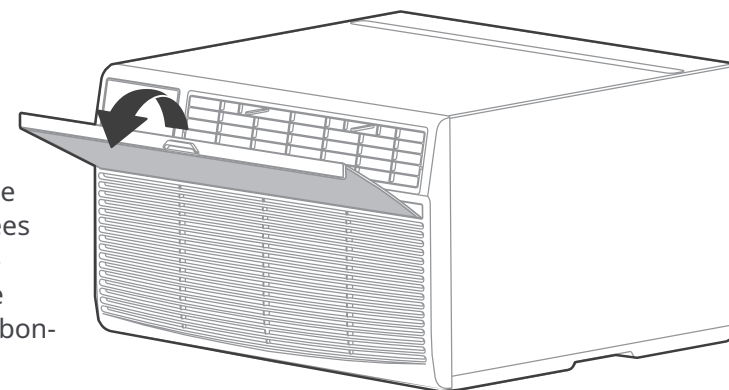
N'essayez jamais de faire fonctionner l'appareil sans le filtre à air.

### Note d'économie d'énergie

Afin d'atteindre le maximum d'économie d'énergie et de confort, il est recommandé d'utiliser une housse pour isoler l'appareil lorsque celui-ci n'est pas utilisé. La taille recommandée pour l'appareil est de 24,4"x14,8"x2,2" (LxHxP).

### Nettoyage de l'armoire

- Assurez-vous de débrancher le climatiseur pour éviter tout risque de choc électrique ou d'incendie. L'armoire et la façade peuvent être dépoussiérées avec un chiffon sans huile ou lavées avec un chiffon humidifié dans une solution d'eau tiède et de détergent liquide doux pour la vaisselle. Rincer abondamment et essuyer à sec.
- Ne jamais utiliser de nettoyeurs agressifs, de cire ou de polish sur la façade de l'armoire.
- Veillez à bien essorer le chiffon avant de l'utiliser autour des commandes. L'excès d'eau dans ou autour des commandes peut endommager le climatiseur.
- Brancher le climatiseur.



**ATTENTION:** Nettoyez votre climatiseur de temps en temps pour qu'il reste comme neuf. **Assurez-vous de débrancher l'appareil avant de le nettoyer pour éviter tout risque de choc électrique ou d'incendie.**

**ATTENTION:** Si vous prévoyez de ranger le climatiseur pendant l'hiver, retirez-le soigneusement de la fenêtre selon les instructions d'installation. Couvrir-le avec du plastique ou le remettre dans le carton d'origine.

# DÉPANNAGE

Avant d'appeler le service, passez en revue cette liste. Cela peut vous faire gagner du temps et de l'argent. Cette liste comprend des occurrences courantes qui ne sont pas le résultat d'un travail défectueux ou de matériaux dans cet appareil.

Problème	Solution
<b>Le climatiseur ne démarre pas.</b>	La prise murale est débranchée. Enfoncez fermement la prise dans la prise murale.
	Le fusible de la maison a sauté ou le disjoncteur a été déclenché. Remplacez le fusible par un type à retardement ou réinitialisez le disjoncteur.
	Le dispositif de courant de la prise a été déclenché. Appuyez sur le bouton RESET.
	L'alimentation est éteinte. Allumez l'alimentation.
<b>L'air provenant de l'unité ne semble pas assez froid.</b>	La température de la pièce est inférieure à 62°F (17°C). Le refroidissement peut ne pas se produire tant que la température de la pièce ne dépasse pas 62°F (17°C).
	La détection de température derrière l'élément de filtre à air touche la bobine froide. Éloignez-le de la bobine froide.
	Réglez sur une température plus basse.
	Le compresseur s'est arrêté lors du changement de mode. Attendez 3 minutes après avoir réglé sur le mode FROID.
<b>Le climatiseur refroidit, mais la pièce est trop chaude - de la glace se forme sur la bobine de refroidissement derrière le devant décoratif.</b>	Température extérieure inférieure à 64°F (18°C). Pour dégivrer la bobine, réglez le mode FAN ONLY.
	Le filtre à air peut être sale. Nettoyez le filtre. Reportez-vous à la section Entretien et nettoyage. Pour dégivrer, réglez sur le mode FAN ONLY.
	Le thermostat est réglé trop froid pour le refroidissement nocturne. Pour dégivrer la bobine, réglez sur le mode FAN ONLY. Ensuite, réglez la température sur un réglage plus élevé.
<b>Climatiseur turns on and off rapidement</b>	Filtre à air sale - air restreint. Nettoyez le filtre à air.
	Température extérieure extrêmement chaude. Réglez la vitesse du ventilateur sur un réglage plus élevé pour faire passer l'air plus fréquemment devant les bobines de refroidissement.

Problème	Solution
<b>Climatiseur</b> refroidissement, mais la pièce trop chaude - pas de glace se forme sur l'évaporateur derrière la façade décorative.	Filtre à air sale - l'air est restreint. Nettoyer le filtre à air. Se référer à la section Entretien et Nettoyage.
	La température est réglée trop haut, régler la température à un réglage plus bas.
	Les volets directionnels de l'air sont mal positionnés. Positionner les volets pour une meilleure distribution de l'air.
	L'avant de l'unité est bloqué par des rideaux, des stores, des meubles, etc. - restreint la distribution de l'air. Débloquer l'avant de l'unité.
	Portes, fenêtres, registres, etc. Ouverts - l'air froid s'échappe. Fermer les portes, les fenêtres, les registres.
	L'unité a été récemment allumée dans une pièce chaude. Accorder un temps supplémentaire pour éliminer la chaleur stockée dans les murs, le plafond, le sol et les meubles.
<b>Bruit lorsque l'unité est en train de refroidir</b>	Bruit de mouvement d'air. C'est normal. Si trop fort, régler sur une vitesse de VENTILATEUR plus lente.
	Vibration de la fenêtre - mauvaise installation. Se référer aux instructions d'installation ou vérifier avec l'installateur.
<b>Eau qui goutte À L'EXTÉRIEUR lorsque l'unité refroidit.</b>	Installation incorrecte. Inclinez légèrement le climatiseur vers l'extérieur pour permettre le drainage de l'eau. Reportez-vous aux instructions d'installation - vérifiez avec l'installateur.
<b>Eau qui goutte À L'EXTÉRIEUR lorsque l'unité refroidit.</b>	L'unité élimine une grande quantité d'humidité d'une pièce humide. Ceci est normal pendant les journées excessivement humides.
<b>Désactivation prématurée de la détection à distance (uniquement pour les modèles à distance)</b>	La télécommande n'est pas située dans la plage. Placez la télécommande à moins de 20 pieds et pointez-la dans la direction générale de l'unité de climatisation.
	Le signal de la télécommande est obstrué. Retirez l'obstruction.
<b>Pièce trop froide</b>	Température réglée trop basse. Augmentez la température réglée.

La conception et les spécifications sont sujettes à modification sans préavis pour l'amélioration du produit. Consultez l'agence de vente ou le fabricant pour plus de détails. Toutes les mises à jour du manuel seront téléchargées sur le site de service, veuillez vérifier la dernière version.