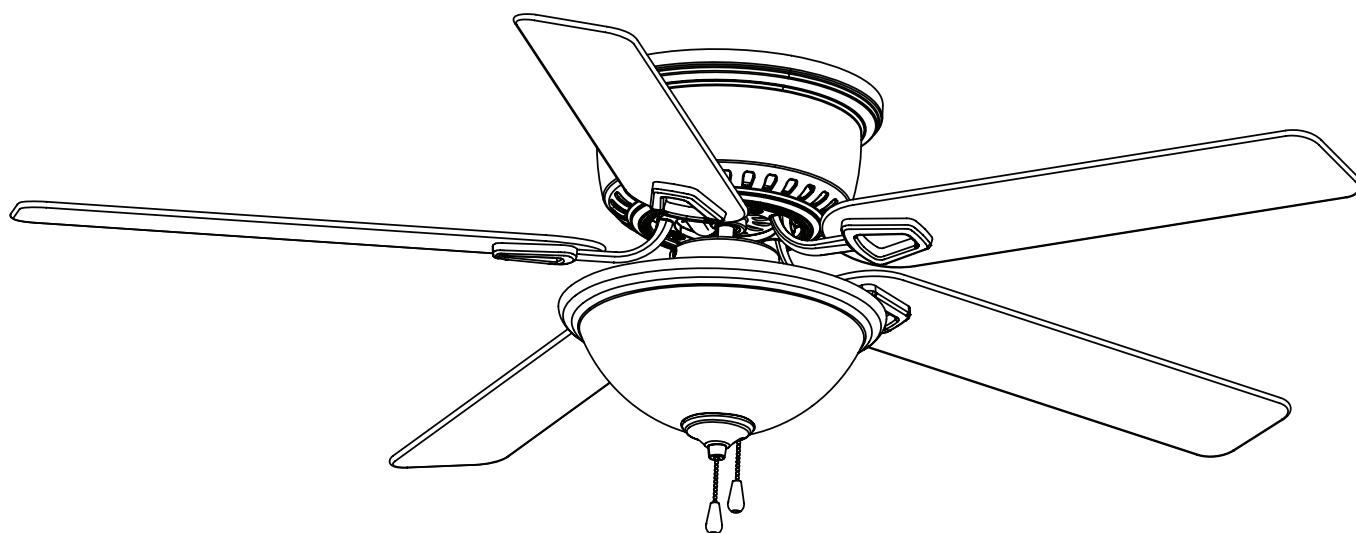


**Patriot**  
**LIGHTING™**

# 52" ALSTON CEILING FAN

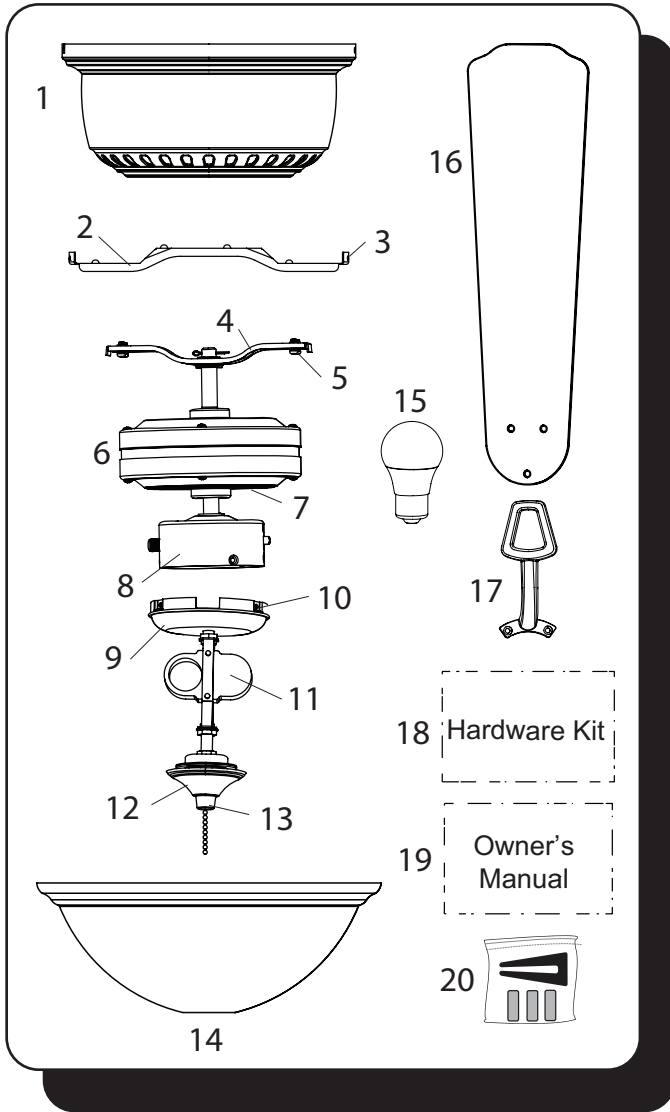
## Owner's Manual

Model #20542  
SKU #355-7068



If a problem cannot be remedied or you are experiencing difficulty in installation, please contact the Service Department: 1-877-459-3267, 8 a.m. - 5 p.m. Central Time, Monday - Friday.

## PACKAGE CONTENTS



Unpack your fan and check the contents. You should have the following items:

### PACKAGE CONTENTS

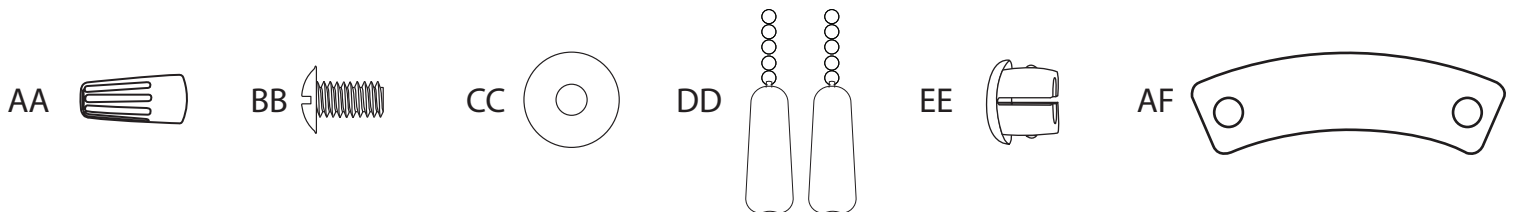
- |                                |                            |
|--------------------------------|----------------------------|
| 1. Motor Housing               | 11. Light Kit              |
| 2. Upper Mounting Bracket      | 12. Finial Cap             |
| 3. Motor Housing Screw (x4)    | 13. Finial                 |
| 4. Lower Mounting Bracket      | 14. Glass Bowl             |
| 5. Mounting Bracket Screw (x4) | 15. E26-base LED Bulb (x2) |
| 6. Motor                       | 16. Blade (x5)             |
| 7. Motor Screw (x10)           | 17. Blade Arm (x5)         |
| 8. Switch Housing              | 18. Hardware Kit           |
| 9. Switch Housing Cap          | 19. Owner's Manual         |
| 10. Switch Housing Screw (x3)  | 20. Blade Balancing Kit    |

### HARDWARE CONTENTS

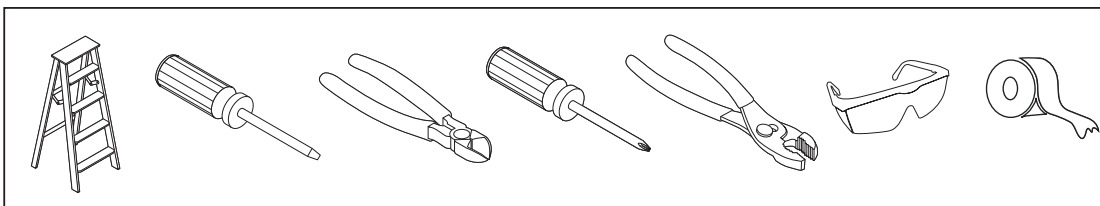
- |                         |                               |
|-------------------------|-------------------------------|
| AA. Wire Connector (x3) | DD. Pull Chain Extension (x2) |
| BB. Blade Screw (x5)    | EE. Plug Button               |
| CC. Blade Washer (x5)   | AF. Blade Isolator (x5)       |

**Note:** Some extra hardware has been included. The quantity listed above is the number required for installation.

## HARDWARE CONTENTS



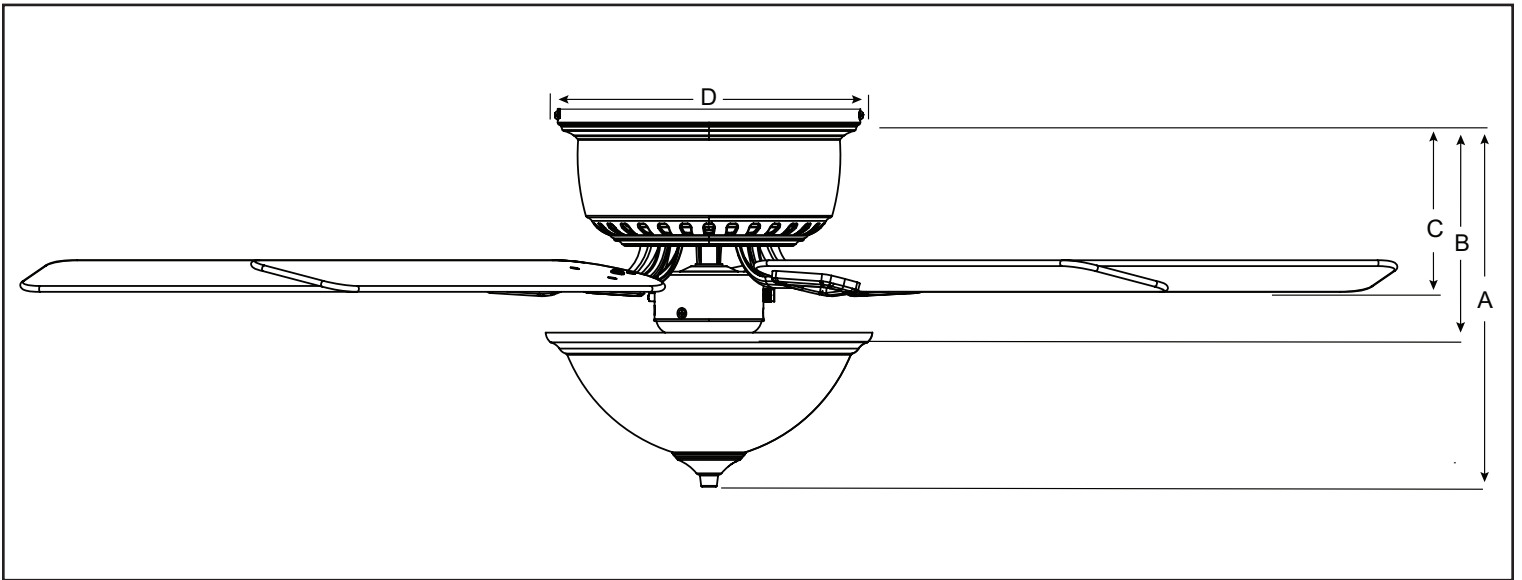
## TOOLS REQUIRED (not included)



**Tools required for assembly:** Electrical tape, Phillips Screwdriver, Pliers, Safety Glasses, Step Ladder, Wire Cutters and Wire Strippers

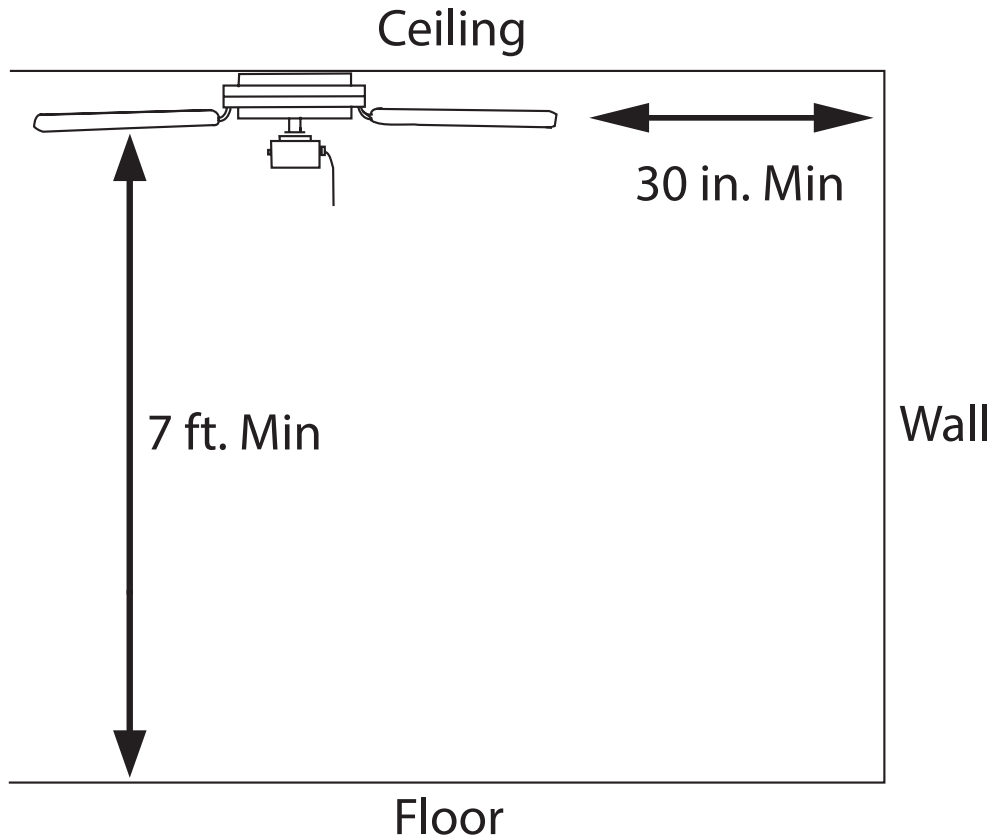
**Helpful Tools:** AC Tester Light, Tape Measure, and Wiring Handbook

## DIMENSION REFERENCE



A. 14.02 in. B. 8.3 in. C. 6.9 in. D. 11.07 in.

## LOCATION FOR INSTALLATION



When selecting a location for installation, ensure the blades will be at least 30 inches from any wall or obstruction and at least 7 feet above the floor.

## SAFETY INSTRUCTIONS

READ ALL SAFETY INFORMATION AND INSTALLATION INSTRUCTIONS BEFORE YOU BEGIN INSTALLING THE FAN AND SAVE INSTRUCTIONS.

### CAUTION:

- All set screws of the fan must be checked and retightened where necessary before installation.
- To reduce the risk of personal injury, do not bend the blade brackets when installing the brackets, balancing the blades or cleaning fan. Do not insert foreign objects in between rotating fan blades.
- Before changing the fan direction, turn off the fan and wait for the fan blades to stop completely.
- The safeguards provided by these safety instructions and by the separate installation instructions are not meant to cover all possible conditions and situations that may occur. It must be understood that common sense, caution and care are factors which can not be built into this product. These factors must be supplied by the person(s) installing, caring for and operating the fan.
- The fan weight is Net Weight: 17.32 lbs (7,86 kg). Be sure the outlet box (not included) is securely attached to the building structure and is marked "Acceptable For Fan Support". Failure to do so can result in serious injury.
- This device complies with part 15 of the FCC Rules. Operation is subject to the following two conditions: (1) This device may not cause harmful interference, and (2) this device must accept any interference received, including interference that may cause undesired operation.
- This equipment has been tested and found to comply with the limits for a Class B digital device, pursuant to Part 15 of the FCC Rules. These limits are designed to provide reasonable protection against harmful interference in a residential installation. This equipment generates, uses and can radiate radio frequency energy and, if not installed and used in accordance with the instructions, may cause harmful interference to radio communications. However, there is no guarantee that interference will not occur in a particular installation. If this equipment does cause harmful interference to radio or television reception, which can be determined by turning the equipment off and on, the user is encouraged to try to correct the interference by one or more of the following measures:
  - Reorient or relocate the receiving antenna.
  - Increase the separation between the equipment and receiver
  - Connect the equipment into an outlet on a circuit different from that to which the receiver is connected.
  - Consult the dealer or an experienced radio/TV technician for help.

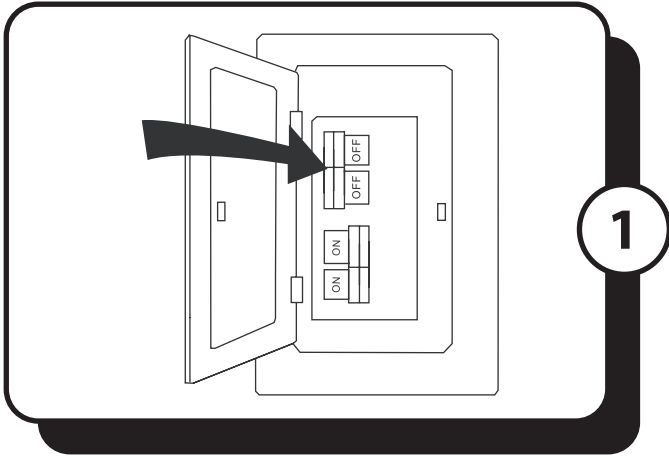
Please note changes or modifications not expressly approved by the party responsible for compliance could void the user's authority to operate the equipment.

HKC-US, 3350 Players Club Pkwy. #225, Memphis, TN 38125, 1-877-459-3267

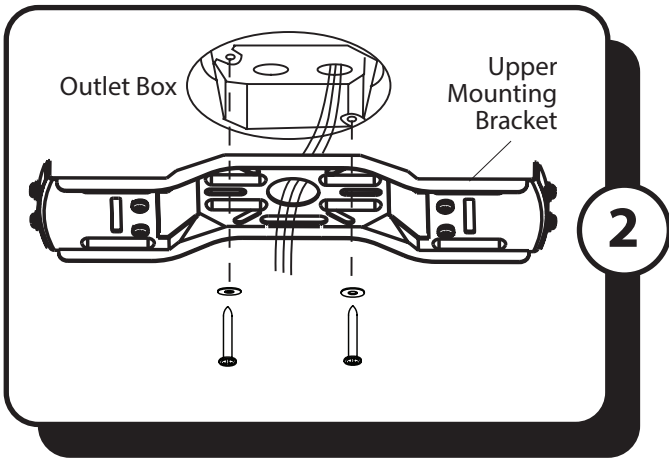
### WARNING:

- To avoid risk of electric shock, be sure to shut off power at the main fuse or circuit breaker box before installing or servicing this fixture. Turning off the electrical power by using the light switch is not sufficient to prevent electrical shock.
- To reduce the risk of injury, install the fan so that the blades are at least 7 feet (2.1 Meters) above the floor and at least 18 inches (0.5 Meters) from the tip of the blades to the wall.
- To reduce the risk of fire, electric shock, or personal injury, mount to outlet box marked "acceptable for fan support" and use mounting screws provided with the outlet box.
- The installation has to be in accordance with the National Electrical Code, ANSI/NFPA 70-1999 and local codes. If you are unfamiliar with the methods of installing electrical wiring, seek the services of a qualified licensed electrician.
- Using a full-range dimmer switch to control fan speed will cause a loud humming noise from the fan. To reduce the risk of fire or electric shock, do NOT use a full-range dimmer switch to control the fan speed.

## ASSEMBLY INSTRUCTIONS

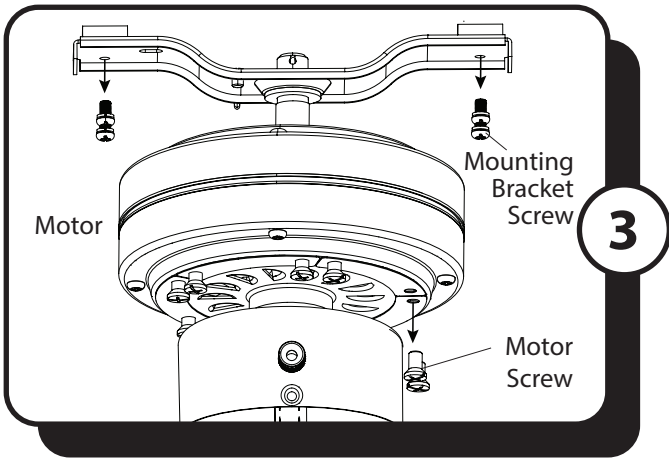


1. Turn OFF the electrical power at the main fuse or circuit. **DANGER:** Failure to disconnect the power supply prior to installation may result in serious injury or death.



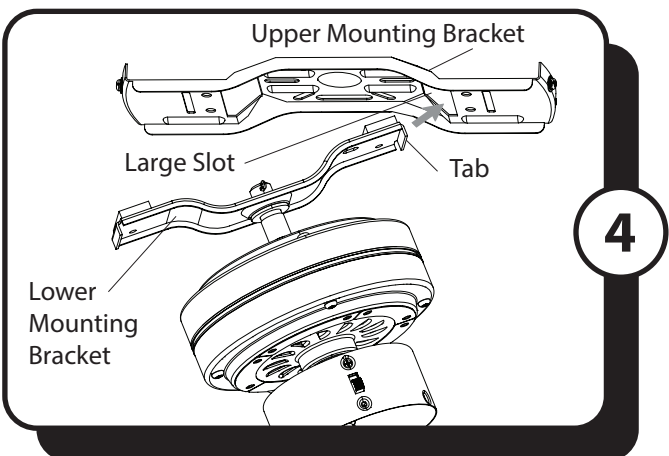
2. Secure the upper mounting bracket to the outlet box using screws, spring washers, provided with the outlet box (not included).

**Note:** WARNING: To reduce the risk of fire, electric shock, or personal injury, mount to the outlet box marked "acceptable for fan support" and use the mounting screws and washers provided with the outlet box.



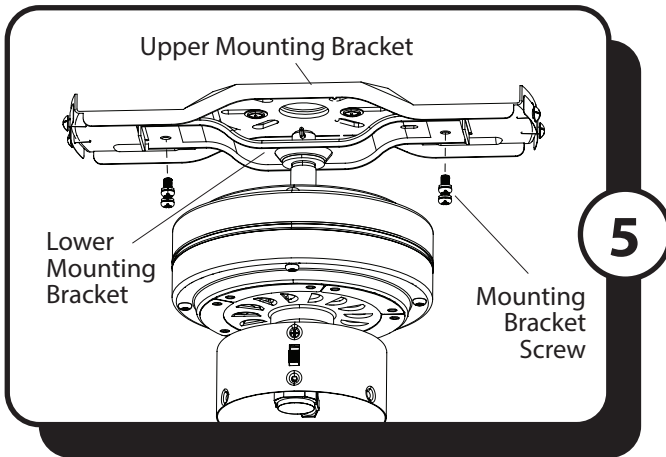
3. Remove the four mounting bracket screws from underneath the lower mounting bracket. Then, remove the ten motor screws and save for blade arm attachment.

**Note:** Remove the wire restraint from the wires on top of the lower bracket.

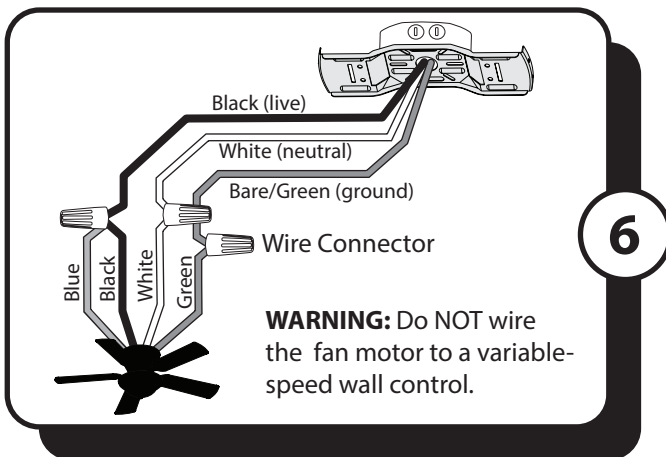


4. Place one tab of the lower bracket into a large slot in the upper mounting bracket. Then slide the second tab of the lower mounting bracket into the second large slot on the upper mounting bracket until all four holes are in alignment.

## ASSEMBLY INSTRUCTIONS



5. Reinstall the four previously removed mounting bracket screws underneath the lower mounting bracket and into the upper mounting bracket. Securely tighten the screws.



6. Use wire connectors to connect the fan wires to the power supply wires according to the wiring diagram and the following instructions:

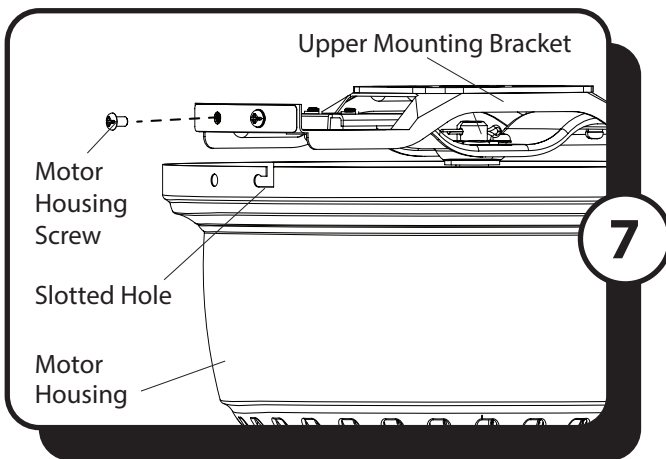
- Connect the green wire from the lower mounting bracket to the bare/green (ground) supply wire.

- Connect the white wire from the fan to the white (neutral) supply wire.

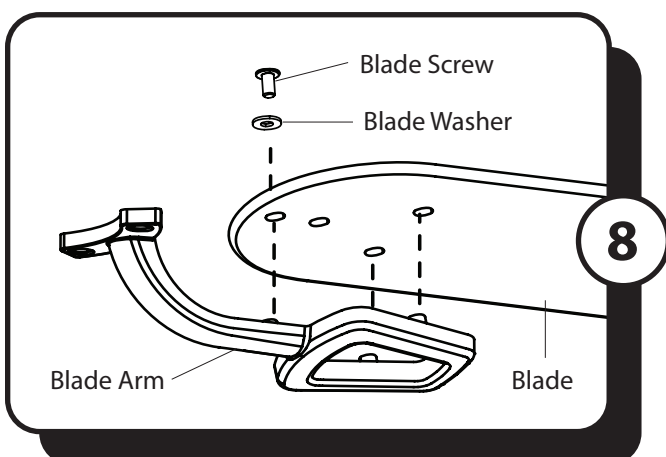
- Connect the black and blue wires from the fan to the black (hot) supply wire.

**Note:** If there is a second hot/power wire coming from the outlet box, connect it to the blue (light power) fan wire for separate light and fan control.

**Important:** After the connections have been made, the wires should be turned upward and pushed carefully up into the outlet box. Place the black and white wire connections on opposite sides of the outlet box.

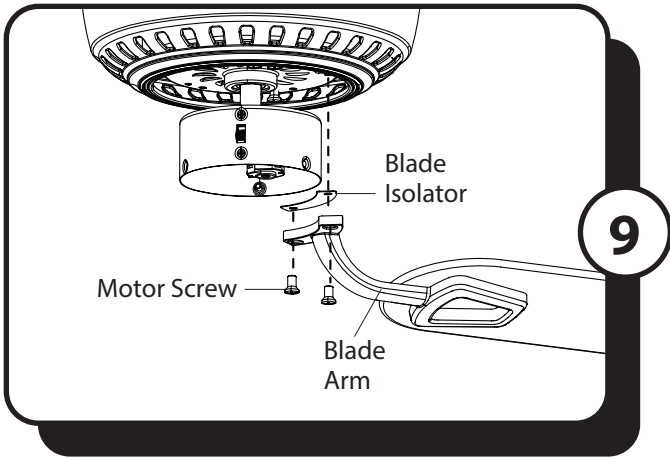


7. Temporarily lift the motor housing to the upper mounting bracket to determine which two motor housing screws in the sides of the upper mounting bracket align with the slotted holes in the top edge of the motor housing. Partially loosen the two motor housing screws that align with the slotted holes. Remove the other two motor housing screws from opposite sides of the upper mounting bracket. Slide the motor housing over the motor, aligning the slotted holes in the motor housing with the loosened motor housing screws in the upper mounting bracket. Twist the motor housing in a clockwise direction. Then re-insert the two previously removed motor housing screws and securely tighten all screws.



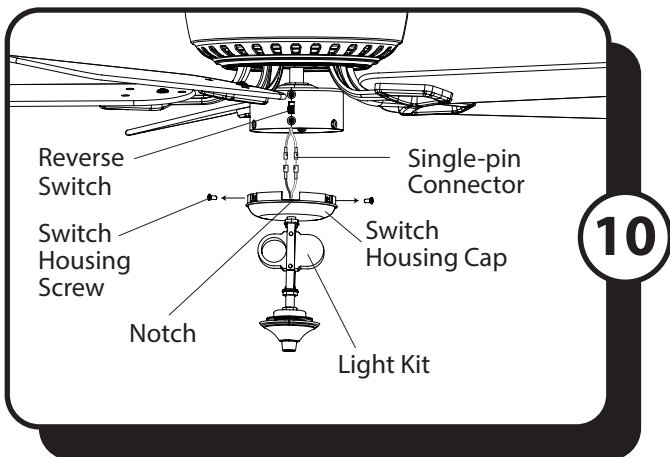
8. Align blade arm studs with their corresponding holes in the blade and then insert the blade screw, blade washer to attach one blade arm to a blade. Tighten the blade screw. Repeat this step for the remaining blades and blade arms.

## ASSEMBLY INSTRUCTIONS



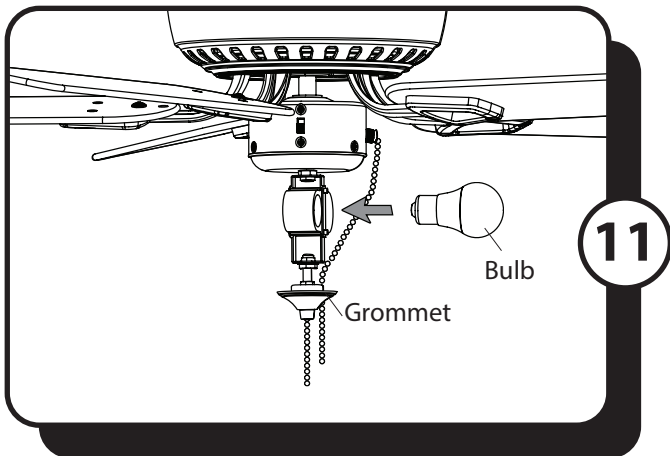
9. Install the blade arm and blade isolator to the underside of the motor assembly with motor screws previously removed (Step 3, page 5). Tighten with Phillips screwdriver (not included). Repeat for each blade arm.

**To install the fan without the light kit, skip to Step 16.**



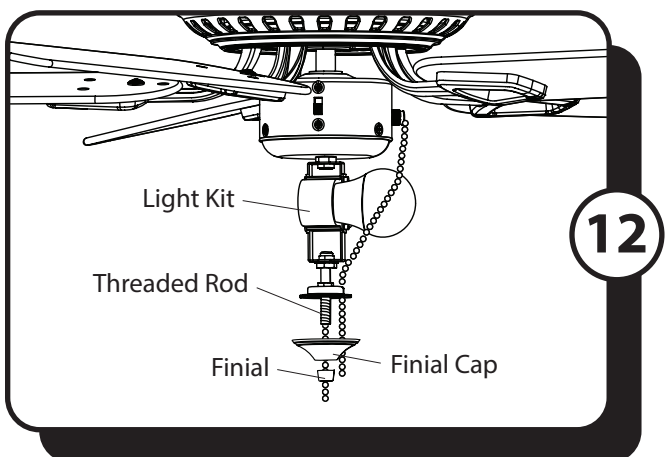
10. Remove the three switch housing screws from the top edge of the switch housing cap. Connect the single-pin connectors from the switch housing to the single-pin connectors from the light kit -- blue to black and white to white. Secure the light kit to the switch housing with the three switch housing screws.

**Note:** Align the notch in the switch housing cap with the reverse switch on the switch housing.



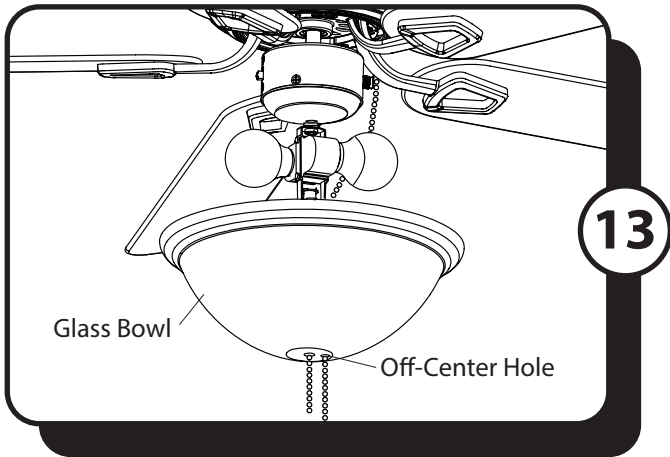
11. Install the E26-base LED bulbs into the sockets of the light kit.

**Important:** Make sure you allow the bulbs and light kit to cool before you replace the bulbs.

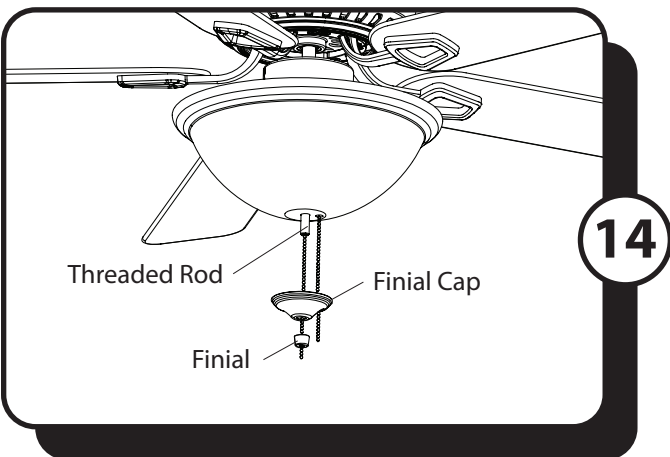


12. Remove the preassembled finial and finial cap from threaded rod on the light kit.

## ASSEMBLY INSTRUCTIONS

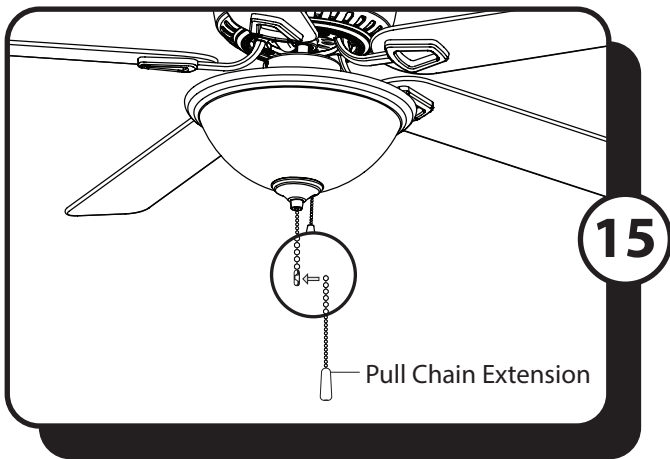


13. Feed the pull chain coming from the center of the light kit through the center hole in the glass bowl and feed the pull chain coming from the switch housing through the off-center hole in the glass bowl.

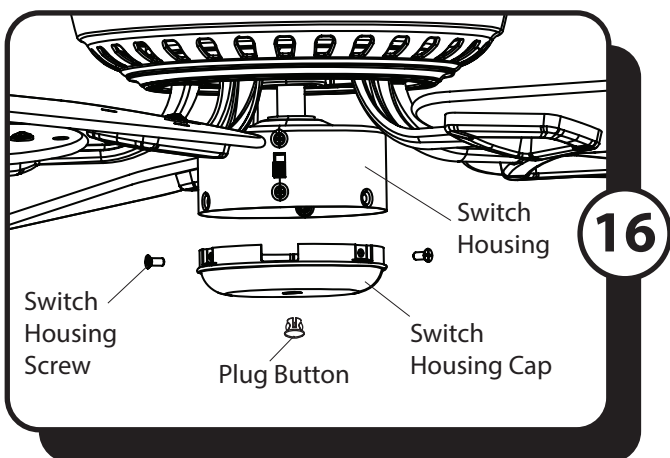


14. Lift the glass bowl onto the threaded rod at the bottom of the light kit. Lift the finial cap until it is flush with the glass bowl and secure with the finial.

**Note:** Ensure the pull chain from the switch housing is aligned with the off-center hole in the glass bowl and the off-center hole in the finial cap to ensure smooth pull chain operation.



15. Attach pull chain extensions to the pull chains.



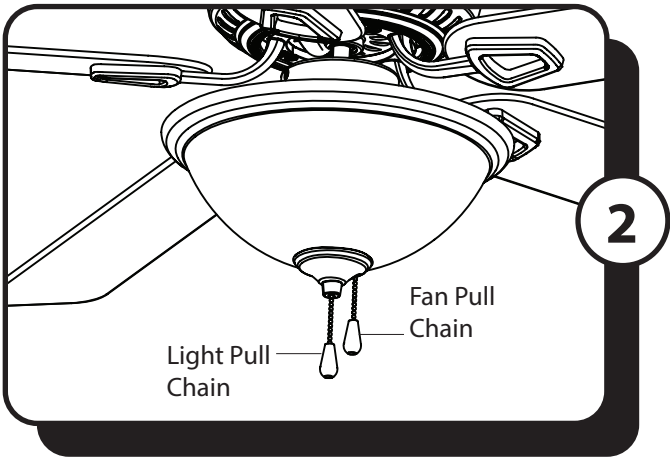
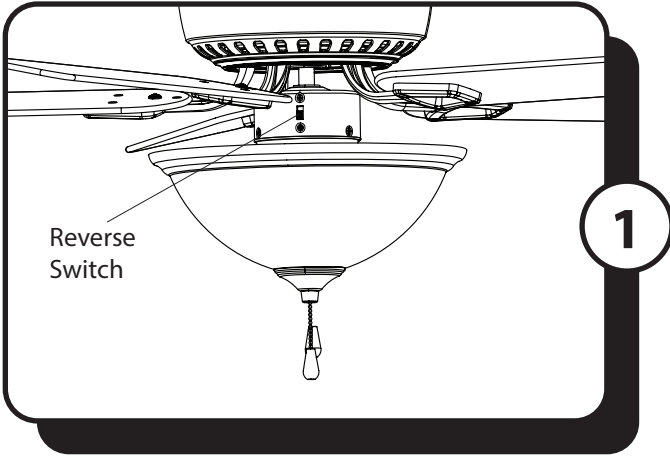
### 16. **NO LIGHT KIT OPTION** (OPTIONAL)

- Remove the switch housing screws from the switch housing cap.
- Remove the light kit from the switch housing cap by removing the hex nut and washer from inside the switch housing cap.
- Insert plug button into center of switch housing cap.
- Install the switch housing cap to the bottom of the switch housing with the three switch housing screws.
- Attach the pull chains extension (Step 15).
- Restore the power at the main fuse or circuit breaker.

Restore the power at the main fuse or circuit breaker and wall switch.

**Assembly is complete.**

## OPERATING INSTRUCTIONS



1. Using a ceiling fan will allow you to raise your thermostat setting in summer and lower your thermostat setting in winter without feeling a difference in your comfort.

**In warmer weather**, push the reverse switch down which will result in downward airflow creating a wind chill effect.

**In cooler weather**, push the reverse switch up which will result in upward airflow that can help move stagnant, hot air off the ceiling area.

**Important:** Wait for the fan to stop before moving the reverse switch. The reverse switch must be set either completely up or down in order for the fan to function correctly. If the reverse switch is set in the middle position, the fan will not operate.

2. The fan pull chain has four positions to control the fan speed. One pull is HIGH, two is MEDIUM, three is LOW, and four turns the fan OFF. The pull chain in the center of the light kit turns the lights ON and OFF.

## TROUBLESHOOTING

If you have difficulty operating your new ceiling fan, it may be the result of incorrect assembly, installation or wiring. In some cases, these installation errors may be mistaken for defects. If you experience any faults, please check the Troubleshooting section below. If a problem cannot be remedied or you are experiencing difficulty in installation, please contact the Service Department: 1-877-459-3267, 8 a.m. - 5 p.m. Central, Monday - Friday.

### PROBLEM

### SUGGESTED REMEDY

**WARNING:** To reduce the risk of fire, electrical shock or personal injury, shut off the power supply to fan before you begin any maintenance tasks.

- |                         |   |
|-------------------------|---|
| 1. Fan does not start:  | <ol style="list-style-type: none"><li>1. Make sure that the wall switch is turned ON.</li><li>2. Check main and branch circuit fuses or circuit breakers.</li><li>3. Check all wire connections from household supply wires to the fan.</li><li>4. Make sure forward/reverse switch is pushed completely up or down. Fan will not operate when switch is in the middle.</li></ol>   |
| 2. Fan is noisy:        | <ol style="list-style-type: none"><li>1. Make sure all screws in motor housing are snug, but not overtightened.</li><li>2. Make sure the screws that attach the blade arms to the motor are tight.</li><li>3. Make sure wire connectors are not rattling against each other or against the interior wall of the switch housing.</li><li>4. Some fan motors are sensitive to signals from Solid State variable speed controls. DO NOT USE a Solid State variable speed control.</li><li>5. Ensure fan does not wobble excessively (see Fan wobbles solutions below).</li></ol>                       |
| 3. Fan wobbles:         | <ol style="list-style-type: none"><li>1. Ensure the mounting bracket is tightened securely to outlet box and outlet box is mounted firmly to ceiling joist.</li><li>2. Ensure all blades are screwed firmly into blade arms.</li><li>3. Ensure all blade arms are tightened securely to motor.</li><li>4. Switch one blade with a blade from the opposite side. Or balance the fan using the blade balancing kit.</li><li>5. If blade wobble is still noticeable, interchanging two adjacent (side by side) blades can redistribute the weight and possibly result in smoother operation.</li></ol> |
| 4. Light does not work: | <ol style="list-style-type: none"><li>1. Check for loose or disconnected 9-pin and/or single-pin connectors in switch housing or light kit.</li><li>2. Ensure the blue wire from fan is connected to hot power supply wire.</li><li>3. Check for faulty light bulbs.</li><li>4. Ensure total wattage of bulbs does not exceed 180 watts (for incandescent bulbs only).</li></ol>  |

# LIMITED LIFETIME WARRANTY

To obtain Service, please contact the Service Department:  
1-877-459-3267, 8 a.m. - 5 p.m. Central Time, Monday - Friday.

Model Name: 52" Alston Ceiling Fan  
Model No: 20542 - (SKU: 355-7068) Bronze

The limited lifetime warranty covers this ceiling fan, for residential use by the original purchaser, against defects in material or workmanship as follows:

If your Patriot Lighting Ceiling Fan motor fails at any time during the lifetime of the original purchaser due to defects in material or workmanship, we will provide a replacement part free of charge.

If your fan motor fails at any time within one year after the original date of sale to the original purchaser due to defects in material or workmanship, we will provide labor to repair the defect, with the exception of take down/reinstallation, free of charge. The original purchaser will be responsible for all labor costs after this one year period.

If no replacement parts are provided for any part of your fan motor that fails at any time during your lifetime due to defects in material or workmanship, we will refund the original purchase price of your fan.

If your fan blades, pull chain switch, reverse switch, or any accessory, except glass globes and light bulbs, fails at any time within one year after the original date of purchase due to a defect in material and workmanship, we will repair or, if we choose, replace the defective blades, switch, or accessory free of charge, with the exception of take down/reinstallation services.

If the original purchaser ceases to own the fan, this warranty and any implied warranty, including but not limited to any implied warranty of merchantability or fitness for a particular purpose, become void. This warranty and any implied warranty, including but not limited to any implied warranty of merchantability or fitness for a particular purpose, do not cover glass globes, light bulbs, or finish on any metal portions of the fan.

This warranty is in lieu of express warranties. The duration of any implied warranty of merchantability or fitness for a particular purpose, with respect to any Patriot Lighting Ceiling Fan motor, blades, switch, or accessories, is expressly limited to the period of the express warranty set forth above for such motor, blades, switch, or accessories.

This warranty excludes defects, malfunctions, or failures of any Patriot Lighting Fan that are caused by repairs by persons not authorized by us, use of parts or accessories not authorized by us, mishandling, improper installation, modifications or damage to the fan while in your possession, or unreasonable use, including failure to provide necessary maintenance.

To obtain service, contact the service department. You will be responsible for all insurance and freight or other transportation charges to our factory or service center. A copy of sales receipt is required in order to obtain service. We will return your fan freight prepaid. Your fan should be properly packed to avoid damage in transit, for we will not be responsible for any such damages.

In no event shall Patriot Lighting Fan be liable for consequential or incidental damages.

Some states do not allow the exclusion or limitation of consequential or incidental damages, in which case the above limitation or exclusion may not apply.

This warranty gives you specific legal rights and you may also have other rights which vary from state to state.