




<b>COMPACT ELECTRIC RANGE</b> Owner's Manual.....1 - 16
<b>GAMME ELECTRIQUE COMPACTE</b> Manuel du propriétaire .....17 - 32
<b>ESTUFAS ELECTRICAS COMPACTAS</b> Manuel du propriétaire.....33 - 48



<b>MODEL • MODÈLE • MODELO</b>
DERM240WC
DERM240BC
DERM240BSSC



# Welcome

Welcome to the Danby family. We are proud of our quality products and we believe in dependable service. We suggest that you read this owner's manual before plugging in your new appliance as it contains important operation information, safety information, troubleshooting and maintenance tips to ensure the reliability and longevity of your appliance.

Visit [www.Danby.com](http://www.Danby.com) to access self service tools, FAQs and much more. For additional assistance call **1-800-263-2629**.

**Note the information below; you will need this information to obtain service under warranty.**

**You must provide the original purchase receipt to validate your warranty and receive service.**

**Model Number:** \_\_\_\_\_

**Serial Number:** \_\_\_\_\_

**Date of Purchase:** \_\_\_\_\_

## Need Help?

Before you call for service, here are a few things you can do to help us serve you better.

**Read this owner's manual:**

It contains instructions to help you use and maintain your appliance properly.

**If you receive a damaged appliance:**

Immediately contact the retailer or builder that sold you the appliance.

**Save time and money:**

Check the troubleshooting section at the end of this manual before calling. This section will help you solve common problems that may occur.



1-800-26- Danby  
(1-800-263-2629)



## Important Safety Information

### READ AND FOLLOW ALL SAFETY INSTRUCTIONS

#### WARNING - TIP OVER HAZARD

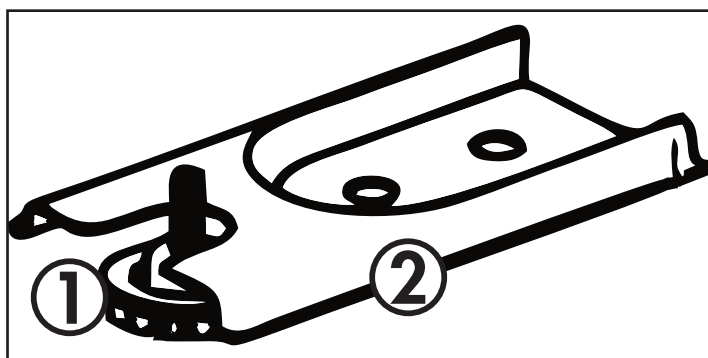
- A child or adult can tip the appliance and be killed.
- Verify the anti-tip bracket has been properly installed to the floor.
- Ensure the anti-tip bracket is re-engaged when the range is moved.
- Do not operate the range without the anti-tip bracket in place and engaged.
- Failure to follow these instructions can result in death or serious burns to children or adults.

#### ANTI-TIP BRACKET

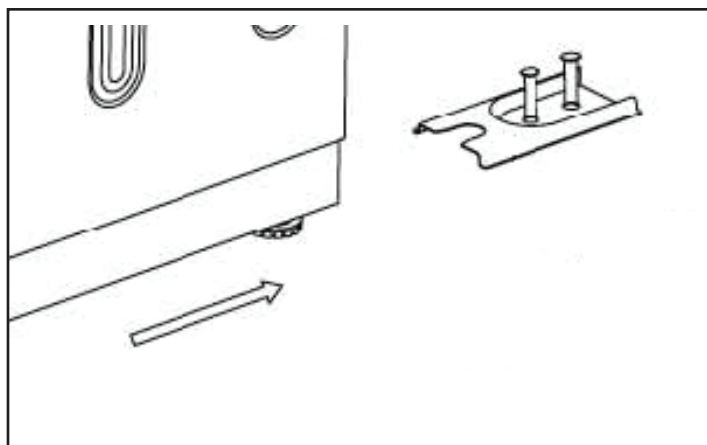
To reduce the risk of the range tipping by abnormal usage or improper door loading, the range must be secured by installing the anti-tip bracket included with this appliance. The anti-tip bracket can be installed on either the left or the right rear leg by following the instructions below.

1. Place the anti-tip bracket on the floor where the range will be installed.
2. Mark the locations of the two holes in the anti-tip bracket.
3. Use a 5/16" masonry drill bit to drill a hole in the floor and insert the provided plastic anchor.
4. Secure the bracket to the floor using the provided screws.
5. Slide the range into position, ensuring that the anti-tip bracket is positioned over the rear foot of the appliance as per the below images.

**Note:** If the range is ever relocated the anti-tip bracket must be removed and installed at the new location.



1. Foot
2. Anti-tip bracket



#### WARNING

##### SUFFOCATION AND RISK OF CHILD ENTRAPMENT

To avoid the possibility of child entrapment please take the following precautions before throwing out the appliance:

- Remove the oven door completely
- Never allow children to operate, play with or crawl inside the electric range

**SAVE THESE INSTRUCTIONS!**



## Important Safety Information

### READ AND FOLLOW ALL SAFETY INSTRUCTIONS

#### NOTICE - BEFORE FIRST TIME USE

Before use of this range for the first time, the heating elements have a protective coating, which must be burned off before use. To do this:

- Open the oven door and set the temperature control knob to 450°F.
- Turn the function selector to the bake element and the broil element separately for approximately 15 minutes.
- It is important to ensure adequate ventilation during this period.

The burners also have a protective coating which must be burned off before use. To do this:

- Set the burner selector to the maximum setting for 5 minutes.
- It is important to ensure adequate ventilation during this period.
- Switch off the burners after 5 minutes and allow to cool completely.

#### DANGER - GREASE FIRES

In the event of a fire, never pick up a flaming pot or pan. Turn the burner off if it is safe to do so. Extinguish the fire with a dry chemical or foam-type extinguisher.

Do not use water on grease fires. Water will spread the grease and will not extinguish the fire. Smother the fire with a tight fitting pot lid, cookie sheet or flat tray or use dry chemical or foam-type extinguisher.

If there is a fire in the oven during baking, smother the fire by closing the oven door and turning the oven off or use dry chemical or foam-type extinguisher.

#### DANGER - FIRE RISK

- It is recommended that this appliance be connected to a separate circuit that is not shared with any other appliance.
- Never clean appliance parts with flammable fluids. These fumes can create a fire hazard or explosion. Never use or store gasoline or other flammable vapors or liquids inside or in the proximity of this appliance, failing to do so may result in a fire hazard or explosion.
- Before cleaning or servicing this appliance, unplug the appliance completely from the electrical outlet. Failure to do so can result in electrical shock or death.
- Do not attempt to repair or replace any part of your appliance unless it is specifically recommended in this manual. All other servicing should be referred to a qualified service technician.
- For your safety, this appliance should never be used as a source of heat or as a space heater. The stove top elements should not be operated without proper cookware.
- All openings in the wall behind the appliance and the floor under the appliance shall be sealed.
- Keep the area around the appliance clear and free from combustible materials, gasoline and other flammable vapors.
- Do not obstruct the flow of air around the appliance.
- Always disconnect the electrical supply to the appliance before servicing.

**SAVE THESE INSTRUCTIONS!**



## Important Safety Information

### READ AND FOLLOW ALL SAFETY INSTRUCTIONS

## GENERAL SAFETY REQUIREMENTS

Ensure the appliance is properly installed and grounded by a qualified technician.

Children should not be left alone or unattended in the area where the appliance is in use. Children should never be allowed to sit or stand on any part of the appliance.

Do not store items of interest to children in cabinets above a range or on the back guard of a range. Children climbing on the range to reach items could be seriously injured.

To eliminate the risk of burns or fire by reaching over heated surface units, cabinet storage space located above the surface units should be avoided. If cabinet storage is to be provided, the risk can be reduced by installing a range hood that projects horizontally a minimum of 5 inches (12.7 cm) beyond the bottom of the cabinets.

Loose fitting or hanging garments should never be worn while using the appliance.

Use only dry pot holders. Moist or damp pot holders on hot surfaces may result in burns from steam. Do not let the pot holder touch hot heating elements. Do not use a towel or other bulky cloth.

If power is lost to an electric cooktop while a surface element is ON, the surface element will turn back on as soon as power is restored. In the event of power loss, failure to turn all surface element knobs to the OFF position may result in ignition of items on or near the cooktop, leading to serious injury or death.

To avoid the possibility of a burn or an electric shock, always be certain that the controls for all surface elements are at the OFF position, and that all coils are cool before attempting to lift or remove a coil cooking element.

This range is designed and manufactured solely for the cooking of domestic (household) food and is not suitable for any non domestic application and therefore should not be used in a commercial environment. The range warranty will be void if the range is used within a non domestic environment.

## DO NOT TOUCH HEATING ELEMENTS OR AREAS NEAR THEM

Heating elements on the surface or in the interior of the appliance may be hot even though they are dark in colour. Areas near the heating elements may become hot enough to cause burns. During and after use do not touch or let clothing or other flammable materials contact the heating elements or areas near them until they have had sufficient time to cool. Surfaces of the appliance may become hot enough to cause burns, among them are the oven vent openings and surfaces near these openings, oven doors and oven windows.

## WARNING

To reduce the risk of burns, do not move this appliance while it is hot. To reduce the risk of injury due to tipping of the appliance, verify the re-installation of this appliance into the anti-tipping device provided and lock the casters after returning the appliance to the original installed position.

## WARNING

The manufacturer declines all liability for injury to persons or damage to property cause by incorrect or improper use of the range.

**SAVE THESE INSTRUCTIONS!**



## **Important Safety Information**

### **READ AND FOLLOW ALL SAFETY INSTRUCTIONS**

#### **COOK TOP SAFETY REQUIREMENTS**

Use the proper pan size. This appliance is equipped with four burners of different sizes. Select utensils that have flat bottoms large enough to cover the surface of the heating element. The use of undersized utensils will expose a portion of the heating element to direct contact and may result in ignition of clothing. Proper relationship of utensil to burner will also improve efficiency.

Never leave the appliance unattended while in use. Boil over causes smoking and greasy spills can ignite.

Never leave oil unattended while frying. If allowed to heat beyond its smoking point, oil may ignite resulting in fire that may spread to surrounding cabinets. Use a deep fat thermometer whenever possible to monitor oil temperature.

To avoid oil spillover and fire, use a minimum amount of oil when shallow pan-frying and avoid cooking frozen foods with excessive amounts of ice.

Ensure that reflector pans or drip bowls are in place. Absence of these pans or bowls during cooking may subject wiring or components underneath to damage.

Only certain types of glass, ceramic, earthenware or other glazed utensils are suitable for range top service without breaking due to sudden change in temperature.

To reduce risk of burns, ignition of flammable materials and spillage due to unintentional contact, the handle of a utensil should be positioned so that it is turned inward and does not extend over adjacent burners.

Removable heating elements should never be immersed in water.

Do not cook on broken cooktop. If the cooktop should break, cleaning solutions and spill overs may penetrate the broken cooktop and create a risk of electric shock. Contact a qualified technician immediately.

#### **OVEN SAFETY REQUIREMENTS**

Use care when opening the door. Allow hot air or steam to escape before removing or replacing food.

Do not heat unopened food containers. Build up of pressure may cause the container to burst and result in injury.

Keep oven vents unobstructed.

Always place oven racks in the desired location while the oven is cool. If the rack must be moved while the oven is hot, do not let the pot holder contact the hot heating element in the oven.

Do not use the oven if a heating element develops a glowing spot during use or shows other signs of damage. A glowing spot indicates the heating element may fail and present a potential burn, fire, or shock hazard. Turn the oven off immediately and have the heating element replaced by a qualified service technician.

Do not line the oven walls, racks or burner bowls with aluminum foil.

Do not place shelves, pans, backing trays, broil trays or other cooking utensils in the bottom of the oven chamber. Always place on an oven shelf.

Never clean the oven with any high pressure steam cleaning devices.

Do not leave anything on the top of the oven vent. Never cover the oven vent opening with aluminum foil or any other material.

**SAVE THESE INSTRUCTIONS!**



## Important Safety Information

### READ AND FOLLOW ALL SAFETY INSTRUCTIONS

### BEFORE BEGINNING

Carefully unpack the appliance and ensure there is no damage to the oven, cooktop or structure and that the oven door opens and closes properly. Remove all packing materials such as plastic bags, polystyrene foam, packing straps, etc. Keep packing materials out of reach of children at all times to prevent possible serious injury. The range has been thoroughly tested for safe and efficient operation. However, as with any appliance, there are specific installation and safety precautions that must be followed to ensure safe and satisfactory operation.

Keep these instructions for future reference.

Installation of this appliance requires basic mechanical skills and roughly 1 to 3 hours of time.

Proper installation is the responsibility of the installer. Product failure due to improper installation is not covered under the warranty.

Before beginning the installation, switch power off at the service panel and lock the service disconnecting means to prevent power from being switched on accidentally. If the service disconnecting means cannot be locked, securely fasten a warning device such as a tag to the service panel.

### GROUNDING INSTRUCTIONS

This appliance must be grounded. Grounding reduces the risk of electrical shock by providing an escape wire for the electrical current.

This appliance has a power cord that has a grounding wire with a 3-prong plug. The power cord must be plugged into an outlet that is properly grounded. If the outlet is a 2-prong wall outlet, it must be replaced with a properly grounded 3-prong wall outlet. The rating plate indicates the voltage and frequency the appliance is designed for.

**WARNING** - Improper use of the grounding plug can result in a risk of electric shock. Consult a qualified electrician if the grounding instructions are not completely understood, or if doubt exists as to whether the appliance is properly grounded.

**Do not connect the appliance to extension cords, adapters or together with another appliance in the same wall outlet.**

Do not splice the power cord. Do not under any circumstances cut or remove the third ground prong from the power cord.

If the power supply cord is damaged, it must be replaced by the manufacturer, its service agent or similar qualified person in order to avoid hazard.

**Note:** Turning the appliance off does not disconnect the appliance from the power supply.

It is recommended that the power cord and the plug be placed parallel with the floor so that the cord runs parallel with the floor.

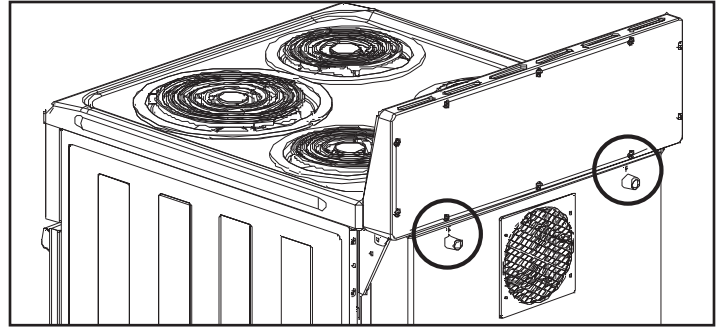
**SAVE THESE INSTRUCTIONS!**

# INSTALLATION INSTRUCTIONS

## BACKGUARD INSTALLATION

The backguard acts as a heat vent for the oven and must be installed before the appliance is used.

1. Remove the two screws from the back of the appliance.
2. Align the backguard with the screw holes and attach it to the appliance using the screws.



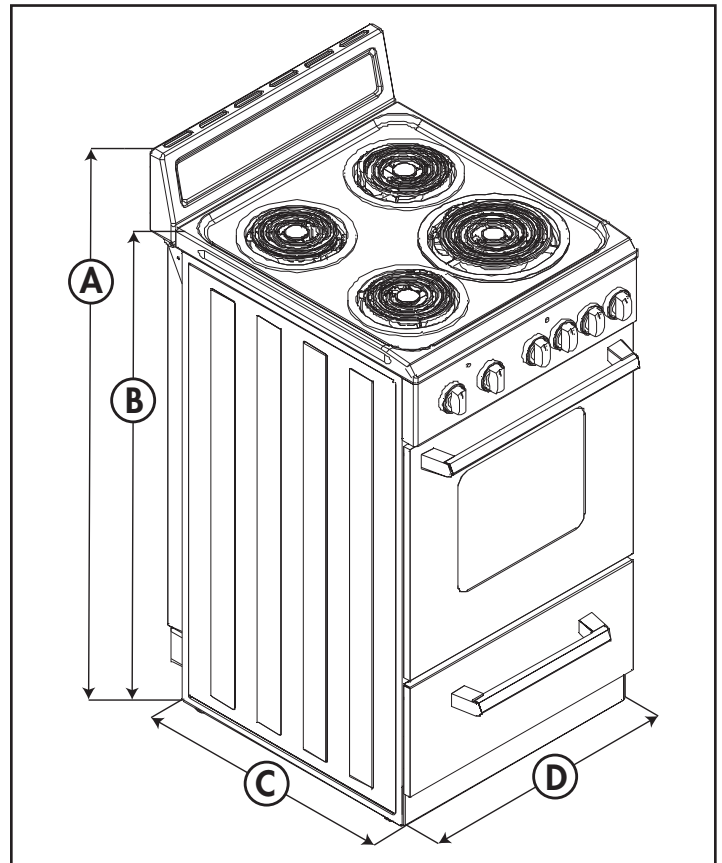
## DIMENSIONS

This dimensions of this appliance are:

- A. 41 inches (104 cm) from the floor to the top of the backguard
- B. 36.2 inches (92 cm) from the floor to the cooktop
- C. 25.5 inches (64.8 cm) deep
- D. 23.4 inches (59.5 cm) wide

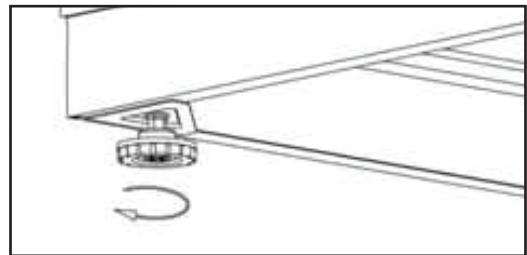
It is the installer's responsibility to comply with installation clearances specified in the manual. The minimum cabinet opening dimensions and clearances must be used. The minimum spacings must be maintained between the appliance cooking surface and the horizontal surface above the cooktop.

30 inches (65 cm) is the minimum clearance between the top of the cooking surface and the bottom of an unprotected wood or metal cabinet.



## LEVELING INSTRUCTIONS

The appliance must be level to operate safely and properly. There are four leveling legs located at the corners of the bottom of the appliance. Adjust the leveling legs until the appliance is level. Use a carpenter's level to confirm.



# OPERATING INSTRUCTIONS

## SURFACE COOKING CONTROLS

The surface heating elements of the appliance are designed for a variety of heat settings.

At both the HI and LO positions, there are slight indents and the knob will click into place in these positions. HI indicates the highest setting. LO indicates the lowest setting.

A sound of clicking may be heard from the appliance during use. This is normal and indicates that the heat setting selected is being maintained.

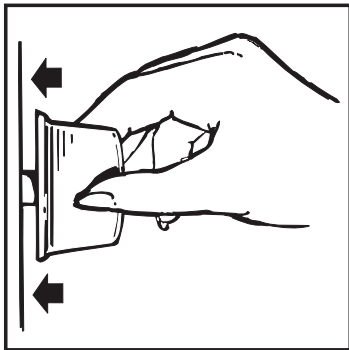
Changing to a higher heat setting will happen faster than changing to a lower heat setting as it will take time for the heat to dissipate.

## SETTING THE CONTROLS

1. Push the control knob in.
2. Turn to the desired heat setting.

The knob only needs to be pushed in when moving out of the "OFF" position. When the knob is in any position other than "OFF", it can be turned without pushing in.

Ensure that the element is turned off when cooking is finished. An indicator light will glow when any heating element is turned on.

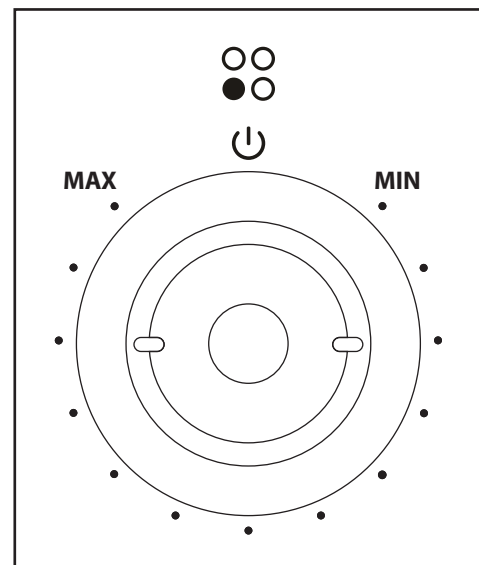


## HEAT SETTING GUIDE

- HI - quick start for cooking; bringing water to a boil
- MEDIUM HIGH - Fast fry; pan broil; maintain a fast boil on a large amount of food
- MED - Sauté and brown; maintain a slow boil on a large amount of food
- MEDIUM LOW - Cereal; maintain the serving temperature of most foods
- LO - Cook after starting at HI; cook with little water in a covered pan; use to steam rice; melt chocolate or butter

Never leave food unattended while cooking. Boil overs cause smoking. Greasy spill overs may catch fire.

Note that the icon above the knob indicates which burner the knob controls.



# OPERATING INSTRUCTIONS

## SURFACE COOKING TIPS

Use medium or heavyweight cookware. Aluminum cookware conducts heat faster than other metals. Cast-iron and coated cast-iron cookware is slow to absorb heat, but generally cooks evenly at low or medium heat settings. Steel pans may cook unevenly if not combined with other metals.

Do not overfill cookware with fat that may spill over when adding food. Frosty foods bubble vigorously. Watch foods frying at high temperatures. Keep range and hood clean from accumulated grease.

To conserve the most cooking energy, pans should be flat on the bottom, have straight sides and tight-fitting lids. Match the size of the saucepan to the size of the surface element. A pan that extends more than an inch beyond the edge of the drip pan traps heat, which causes "crazing" (fine hairline cracks) on porcelain, and discoloration ranging from blue to dark gray on chrome drip pans.

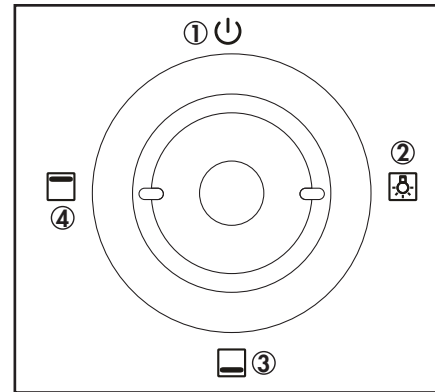
Wipe spills off the elements with a damp cloth as soon as they cool down. Be sure the control knob is set to OFF.

Never leave an empty pot or one that has boiled dry on a hot surface element. The pot could overheat and damage the pot or the surface of the appliance. Always be sure that all control knobs are turned to OFF and that the indicator lights are off when the appliance is not in use.

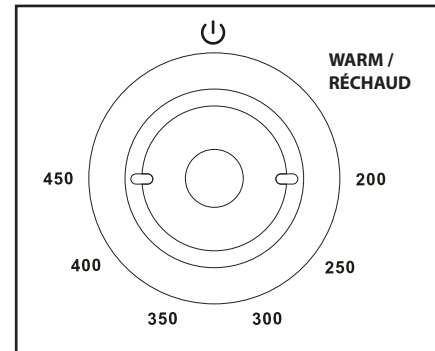
## OVEN COOKING CONTROLS

The oven has three available functions that can be set using the function selector knob.

1. OFF
2. Light
3. Bake
4. Broil



The oven knob is used to choose the oven cooking temperature and is marked in 50 degree increments, from 200°F to 450°F.



To use the oven, turn the function selector knob to bake and turn the oven temperature knob to the desired cooking temperature.

The oven light glows until the oven reaches the selected temperature and then will turn off. During cooking, the light will turn on any time the oven needs to add more heat to maintain the selected temperature.

# OPERATING INSTRUCTIONS

## OVEN BAKING AND ROASTING

1. Position the shelves in the oven. If cooking on two shelves at the same time, stagger the pans for the best heat circulation.
2. Close the oven door. Turn the function selector knob to bake. Turn oven temperature knob to the desired temperature.
3. Allow the oven to preheat if required.
4. Place the food on the center of the oven shelf. Allow at least 2 inches between the end of the pan and the oven wall or any adjacent pans.
5. Check the food regularly. Remove once done and ensure the oven is turned off.

## BAKING AND ROASTING TIPS

- Follow a tested recipe and measure the ingredients carefully. If you are using a package mix, follow label directions.
- Do not open the oven door while baking or roasting. Heat will be lost and the cook time might need to be extended. If you must open the door, open it partially and close it as quickly as possible.
- Roasting is cooking by dry heat. Tender meat or poultry can be roasted uncovered. Roasting temperatures, which should be low and steady, keep spattering to a minimum. When roasting, it is not necessary to sear, baste, cover, or add water to the meat.
- Frozen roasts of meat can be cooked without thawing, but allow 10 to 25 minutes of additional time per pound of meat (10 minutes per pound for roasts under 5 pounds, more time for larger roasts).
- Thaw frozen poultry before roasting to ensure even cooking. Some commercial frozen poultry can be cooked successfully without thawing. Follow directions given on package label.

## OVEN BROILING

Broiling involves cooking food by intense radiant heat from the upper element in the oven. Most fish and tender cuts of meat can be broiled. Follow these steps to keep spattering and smoking to a minimum.

1. If the meat has fat or gristle around the edge, cut vertical slashes through both about 2" apart. If desired, fat may be trimmed, leaving a layer about 1/8" thick.
2. Place the meat on a broiler grid in a broiler pan designed for broiling. Always use the grid so the fat drips into the broiler pan; otherwise the juices may become hot enough to catch fire.
3. Place the shelf in one of the top two positions for most broiling.
4. Place the food in the oven and close the door. Always broil with the door closed.
5. Turn the oven function selector knob to BROIL.
6. Turn the oven temperature knob to the desired cooking temperature.
7. Food can be turned during broiling if necessary. Be cautious of hot air or steam when opening the oven door.
8. Make sure to turn the oven temperature knob to OFF once broiling is complete.

## BROILING TIPS

- If desired, marinate meats or chicken before broiling or brush with barbecue sauce in the last 5 - 10 minutes of cooking.
- When arranging food on a pan, do not let fatty edges hang over the sides as the dripping fat will soil the oven as it cooks.

# OPERATING INSTRUCTIONS

## OVEN SHELVES

The oven shelves are designed with stop-locks so that when they are placed correctly on the shelf supports, they will stop before coming completely out of the oven and will not tilt when food is being removed or added.

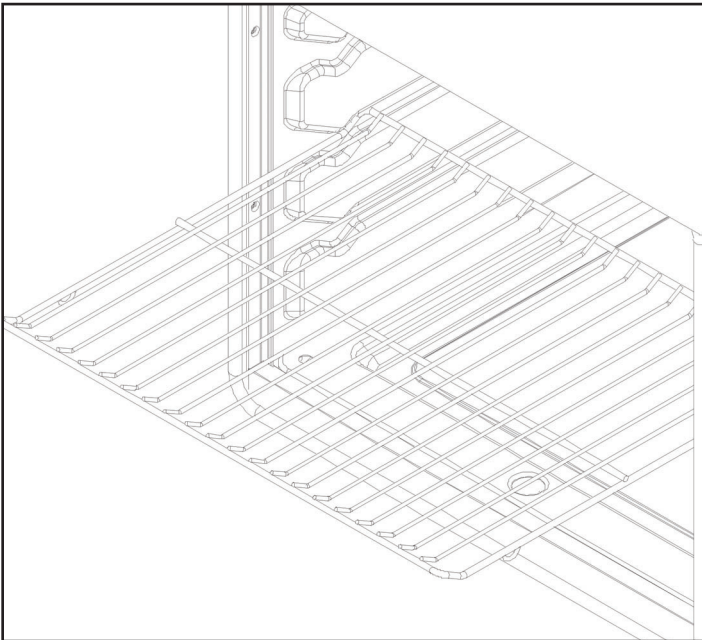
To remove the shelves from the oven, pull the shelf outward, tilt the front end upward and pull it out.

To replace the shelves, place the shelf on the support with the stop locks facing up and toward the back of the oven. Tilt up the front and push the shelf toward the back of the oven until it goes past the bump on the shelf support, then lower the front of the shelf and push it all the way into the oven.

The oven has four different shelf support positions to accommodate different cooking requirements.

## SHELF POSITIONS

- Most baking is done on the second or third shelf position from the bottom of the oven.
- When baking multiple items, use two shelves positioned on the second and fourth shelf supports from the bottom of the oven.
- Bake angel food cakes on the first shelf position from the bottom of the oven.
- Roasting is usually done on the bottom shelf position.
- If preheating is necessary, watch the oven light and place food in the oven once the light goes out. The oven light will cycle on and off with the oven thermostat as it cycles to maintain an even temperature.



### Temperature Conversions

Fahrenheit	140	150	170	200	250	275	300	325	350	375	400	425	450	475	500	525	550
Celsius	60	65	75	95	120	135	150	160	175	190	205	220	230	245	260	275	290

## CARE & MAINTENANCE

### SURFACE ELEMENTS

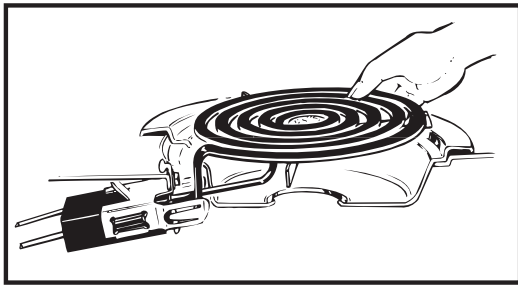
To clean the surface heating elements, turn the temperature control knob to the highest setting for one minute; this will burn off any food residue. Note that this could cause smoke, it is advisable to open a window or turn on a fan to avoid smoke build up.

Do not immerse the heating elements in liquids of any kind. Do not put heating elements into a dishwasher.

To remove the drip pans for cleaning, first remove the heating elements. Make sure the elements are cool before touching them.

Lift the element about 1" above the drip pan and pull to remove. Do not lift the element more than 1" as this can bend internal components and the element may not lie flat when it is replaced.

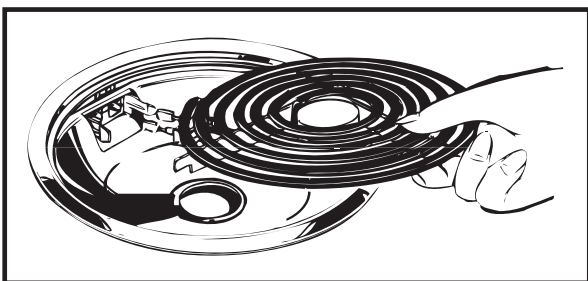
Remove the drip pan and clean as necessary. Drip pans can be cleaned in a dishwasher or by hand.



Once cleaning is complete, replace the drip pan in the recess in the cook top. Make sure the opening in the pan lines up with the receptacle.

Insert the terminals on the heating element through the opening in the drip pan and into the receptacle. Guide the element into place gently so that it rests evenly.

Do not attempt to clean, adjust or repair the receptacles in any way.



### CLEANING

#### Porcelain enamel cook top

The porcelain enamel finish on the cook top is sturdy but can be damaged if misused. Any acidic foods such as fruit juices, tomato or vinegar, should not be permitted to remain on the finish for any length of time.

#### Lift up cook top

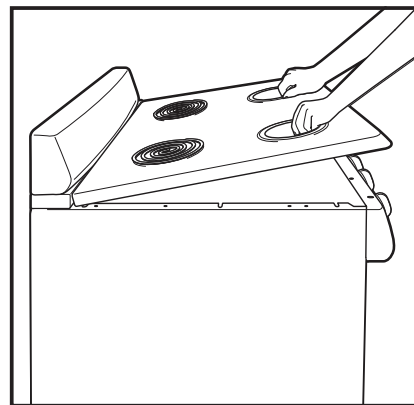
The cook top can be lifted so the area underneath can be cleaned. Spills that overflow the drip pans, especially grease, should be cleaned to avoid build up and possible smoking or ignition.

Ensure the heating elements are turned off and cool before lifting the cook top.

Remove the heating elements and the drip pans.

Lift the cook top and prop open with the internal rod for easier cleaning. This area can be cleaned with hot, soapy water and a clean cloth.

Once complete, return the internal prop rod to its initial position and lower the cook top until it snaps into position. Be careful not to pinch your fingers. Replace the drip pans and heating elements.



## CARE & MAINTENANCE

### Porcelain oven interior

With proper care, the porcelain enamel interior will retain its finish for many years.

Soap and water can be used to clean the interior. Heavy splattering or spills may require cleaning with a mild abrasive cleaner.

Do not allow spills with high acid content such as milk, tomatoes, fruit juices or pie filling, to remain on the surface. They may cause dull spots even after cleaning.

Household ammonia may make cleaning easier. Place 1/2 cup of ammonia in a shallow glass pan and leave in a cold oven overnight. The ammonia fumes will help loosen burned on grease and food.

### Cautions about using spray-on oven cleaners

Do not spray oven cleaner on the electrical controls and switches as it could cause a short circuit and result in sparking or fire.

Do not spray oven cleaner directly onto the oven heating elements.

Do not allow a film from the oven cleaner to remain on the temperature sensor as it could cause the oven to heat improperly. The sensor is located on the top of the oven. Carefully wipe the bulb clean after each oven cleaning, being careful not to move the sensor since a change in its position could affect how the oven bakes.

Do not spray oven cleaner on the outside of the oven door, handles or any exterior surface of the oven, cabinet or painted surfaces. The cleaner can damage these surfaces.

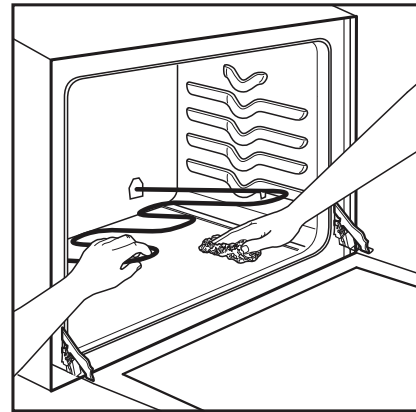
### Oven shelves

Clean the shelves with an abrasive cleaner or steel wool. After cleaning, rinse the shelves with clean water and dry with a clean cloth.

### Oven heating elements

Do not clean the bake element or the broil element. Any food residue will burn off when the elements are heated.

The bake element can be gently lifted to clean the oven floor. Ensure the element is cool before cleaning.



### Control knobs

The control knobs may be removed for easier cleaning. Make sure the knobs are in the "OFF" position and then pull straight off the stems for cleaning.

The knobs can be cleaned in a dishwasher or by hand. Make sure the insides of the knobs are dry before replacing on the appliance.

### Painted surfaces

The painted surfaces include the sides, the control panel, the door and the kick plate. Clean these with soap and water or a vinegar and water solution.

Do not use commercial oven cleaners, cleansing powders, steel wool or harsh abrasives on any painted surface.

## CARE & MAINTENANCE

### REMOVABLE OVEN DOOR

The oven door is removable but it is heavy. It is recommended that at least two people work together to remove it.

#### To remove the door:

1. Open the door to the full open position.
2. Pull the hinge locks up over the hinge hooks on both sides.
3. Grasp the door firmly on both sides, lift slightly and pull it straight out and away from the oven.

#### To replace the door:

1. Firmly grasp both sides of the door at the top.
2. Insert and seat the upper and lower hinge arms into the oven slots.
3. Push the hinge locks down from the hinge hooks.
4. Close the oven door and make sure it is working properly. If it seems uneven or does not close completely, remove it again and repeat the steps to replace it.

**Note:** Do not attempt to close the door until it is properly installed. The hinges could be damaged.

### REMOVABLE STORAGE DRAWER

To clean the lower storage drawer, pull it out until it cannot be pulled any further and then lift upwards.

To replace the storage drawer in the appliance, place the shelf on the side rails and push inward.

### OVEN LIGHT REPLACEMENT

**Important:** Before replacing the oven light bulb, make sure the electrical power is disconnected from the appliance. Failure to do so may result in electric shock or burn.

Be sure to let the light cover and bulb cool completely before replacing.

Removing the oven door can make this process easier.

#### To replace the light bulb:

1. Remove the protective light cover. Do not remove any screws to remove the light cover.
2. Do not touch the light bulb with a wet cloth. Replace the light bulb with an appliance light bulb suitable for high temperature and having the same specifications: 240V, 60Hz, 15W, E14.
3. Replace the protective cover.

### GLASS DOOR WINDOW

To clean the outside of the glass door window, use a glass cleaner. Rinse and polish with a dry cloth.

Avoid scratching or impacting the glass window. Doing so may cause the glass to break.

## TROUBLESHOOTING

**Danby Consumer Care: 1-800-263-2629**

**Hours of operation:**

Monday to Thursday 8:30 am - 6:00 pm Eastern Standard Time

Friday 8:30 am - 4:00 pm Eastern Standard Time

Information in this manual is subject to change without notice.

PROBLEM	POSSIBLE CAUSE
No power	<ul style="list-style-type: none"><li>• A fuse may be blown or the circuit breaker tripped</li><li>• Plug not fully inserted into the wall outlet</li></ul>
Surface elements not working properly	<ul style="list-style-type: none"><li>• The elements are not properly installed</li><li>• The controls are not set correctly</li><li>• The drip pans are not set securely in the cook top</li></ul>
Food does not broil properly	<ul style="list-style-type: none"><li>• Oven temperature is not properly set</li><li>• Shelf position is too low</li><li>• Cookware is not suited for broiling</li><li>• Aluminum foil is being used and is blocking air flow</li></ul>
Food does not bake or roast properly	<ul style="list-style-type: none"><li>• Oven temperature is not properly set</li><li>• Shelf position is incorrect</li><li>• Oven was not pre-heated</li><li>• Cookware is not suited for baking or roasting</li></ul>
Oven light does not work	<ul style="list-style-type: none"><li>• Light bulb is loose</li><li>• Light switch is not operating correctly</li></ul>

## LIMITED "IN HOME" WARRANTY

This quality product is warranted to be free from manufacturer's defects in material and workmanship, provided that the unit is used under the normal operating conditions intended by the manufacturer.

This warranty is available only to the person to whom the unit was originally sold by Danby Products Limited (Canada) or Danby Products Inc. (U.S.A.) (hereafter "Danby") or by an authorized distributor of Danby, and is non-transferable.

### TERMS OF WARRANTY

Plastic parts are warranted for thirty (30) days from the date of purchase, with no extensions provided.

**First 24 months** During the first **twenty four (24) months**, any functional parts of this product found to be defective, will be repaired or replaced, at warrantor's option, at no charge to the original purchaser.

**To obtain service** Contact the dealer where the unit was purchased, or contact the nearest authorized Danby service depot, where service must be performed by a qualified service technician. If service is performed on the unit by anyone other than an authorized service depot, all obligations of Danby under this warranty shall be void.

**Boundaries of in-home service** Danby reserves the right to limit the boundaries of "In Home Service" to the proximity of an authorized service depot. Any appliance requiring service outside the limited boundaries of "In Home Service", will be the consumer's responsibility to transport at their own expense to the original point of purchase or a service depot for repair. If the appliance is installed in a location that is **100 kilometers (62 miles)** or more from the nearest service center, it must be delivered to the nearest authorized Danby Service Depot by the purchaser.

Transportation charges to and from the service location are not protected by this warranty and are the responsibility of the purchaser.

Nothing within this warranty shall imply that Danby will be responsible or liable for any spoilage or damage to food or other contents of this appliance, whether due to any defect of the appliance, or its use, whether proper or improper.

### EXCLUSIONS

Save as herein provided, by Danby, there are no other warranties, conditions, representations or guarantees, express or implied, made or intended by Danby or its authorized distributors and all other warranties, conditions, representations or guarantees, including any warranties, conditions, representations or guarantees under any Sale of Goods Act or like legislation or statute is hereby expressly excluded. Save as herein provided, **Danby shall not be responsible for any damages to persons or property, including the unit itself, howsoever caused or any consequential damages arising from the malfunction of the unit and by the purchase of the unit, the purchaser does hereby agree to indemnify and hold harmless Danby from any claim for damages to persons or property caused by the unit.**

### GENERAL PROVISIONS

No warranty or insurance herein contained or set out shall apply when damage or repair is caused by any of the following:

- 1) Power failure.
- 2) Damage in transit or when moving the appliance.
- 3) Improper power supply such as low voltage, defective house wiring or inadequate fuses.
- 4) Accident, alteration, abuse or misuse of the appliance such as inadequate air circulation in the room or abnormal operating conditions (ie. extremely high or low room temperature).
- 5) Use for commercial or industrial purposes (ie. If the appliance is not installed in a domestic residence).
- 6) Fire, water damage, theft, war, riot, hostility, acts of God such as hurricanes, floods etc.
- 7) Service calls resulting in customer education.
- 8) Improper Installation (ie. Building-in of a free standing appliance or using an appliance outdoors that is not approved for outdoor application, including but not limited to: garages, patios, porches or anywhere that is not properly insulated or climate controlled).

Proof of purchase date will be required for warranty claims; retain bills of sale. In the event that warranty service is required, present the proof of purchase to our authorized service depot.

**Warranty Service  
In Home**

Danby Products Limited  
PO Box 1778, Guelph, Ontario, Canada N1H 6Z9  
Telephone: (519) 837-0920 FAX: (519) 837-0449

**1-800-263-2629  
04/17**

Danby Products Inc.  
PO Box 669, Findlay, Ohio, U.S.A. 45840  
Telephone: (419) 425-8627 FAX: (419) 425-8629

# Bienvenue

Bienvenue à la famille Danby. Nous sommes fiers de la qualité de nos produits et nous croyons au service fiable. Nous vous suggérons de lire ce manuel d'utilisation avant de brancher votre nouvel appareil, car il contient des informations importantes sur l'utilisation, la sécurité, le dépannage et la maintenance, afin d'assurer la fiabilité et la longévité de votre appareil.

Visitez [www.Danby.com](http://www.Danby.com) pour accéder aux outils d'autoservice, aux FAQ et bien plus encore. Pour obtenir de l'aide supplémentaire, composez le **1-800-263-2629**.

**Notez les informations ci-dessous; Vous aurez besoin de cette information pour obtenir un service sous garantie.**

**Vous devez fournir le reçu d'achat original pour valider votre garantie et recevoir le service.**

**Numéro de modèle :** \_\_\_\_\_

**Numéro de série :** \_\_\_\_\_

**Date d'achat :** \_\_\_\_\_

## Besoin d'assistance?

Avant d'appeler pour le service, voici quelques choses que vous pouvez faire pour nous aider à mieux vous servir.

### **Lire ce manuel du propriétaire :**

Il contient des instructions pour vous aider à utiliser et à entretenir votre appareil correctement.

### **Si vous recevez un appareil endommagé :**

Contactez immédiatement le revendeur ou l'entrepreneur qui vous a vendu l'appareil.

### **Gagnez du temps et de l'argent :**

Avant d'appeler pour le service, consultez la section de dépannage à la fin de ce manuel. Cette section vous aidera à résoudre les problèmes courants pouvant survenir.



1-800-26- Danby  
(1-800-263-2629)



## Consignes de sécurité importantes

LIRE ET SUIVRE TOUTES LES INSTRUCTIONS DE SÉCURITÉ

### AVERTISSEMENT - RISQUE DE BASCULE

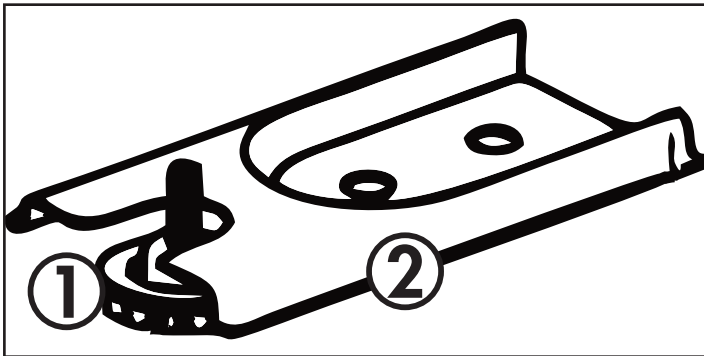
- Un enfant ou un adulte peut faire basculer l'appareil et être tué.
- Vérifiez que le support anti-renversement est correctement installé sur le sol.
- Assurez-vous que le support anti-renversement est ré-engagé lorsque la cuisinière est déplacée.
- Ne pas utiliser la cuisinière sans le support anti-renversement en place et engagé.
- Si ces précautions ne sont pas respectées, cela peut entraîner la mort ou des brûlures graves chez les enfants ou les adultes.

### SUPPORT ANTI-BASCULEMENT

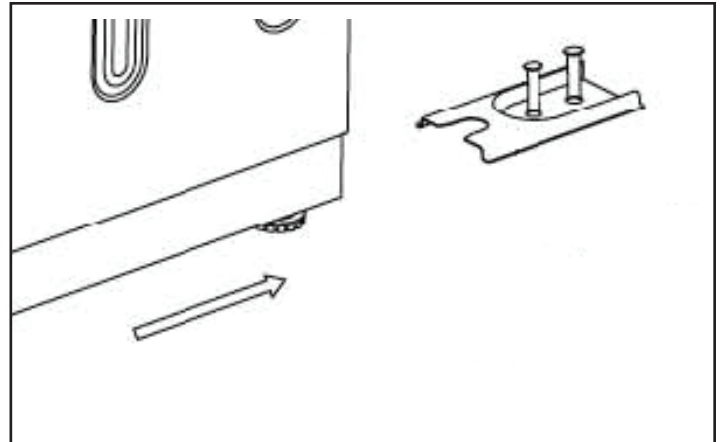
Pour réduire le risque de basculement de la cuisinière en raison d'une utilisation anormale ou d'un chargement incorrect de la porte, vous devez sécuriser la cuisinière en installant le support antibasculément fourni avec cet appareil. en suivant les instructions ci-dessous.

1. Placez le support antibasculément sur le sol où la cuisinière sera installée.
2. Marquez les emplacements des deux trous dans le support anti-renversement.
3. Utilisez un foret de maçonnerie de 5/16" pour percer un trou dans le sol et insérez l'ancrage en plastique fourni.
4. Fixez le support au sol à l'aide des vis fournies.
5. Faites glisser la cuisinière en position, en vous assurant que le support antibasculément est positionné sur le pied arrière de l'appareil, comme indiqué sur les images ci-dessous.

**Remarque:** Si la cuisinière est déplacée, le support anti-renversement doit être retiré et installé au nouvel emplacement.



1. Pied
2. Support anti-basculément



### AVERTISSEMENT

#### SUFFOCATION ET RISQUE D'ENTRAPPEMENT D'ENFANT

Afin d'éviter tout risque de piégeage de l'enfant, veuillez prendre les précautions suivantes avant de jeter l'appareil.

- Enlevez complètement la porte du four
- Ne laissez jamais les enfants utiliser, jouer ou ramper dans la cuisinière électrique

**GARDEZ CES INSTRUCTIONS!**



## Consignes de sécurité importantes

### LIRE ET SUIVRE TOUTES LES INSTRUCTIONS DE SÉCURITÉ

#### AVIS - AVANT LA PREMIÈRE UTILISATION

Avant d'utiliser cette cuisinière pour la première fois, les éléments chauffants ont un revêtement protecteur qui doit être brûlé avant d'être utilisé. Pour faire ça :

- Ouvrez la porte du four et réglez le bouton de contrôle de la température à 450°F.
- Tournez le sélecteur de fonction sur l'élément de cuisson et l'élément de gril séparément pendant environ 15 minutes.
- Il est important d'assurer une ventilation adéquate pendant cette période.

Les brûleurs ont également un revêtement protecteur qui doit être brûlé avant utilisation. Pour faire ça :

- Réglez le sélecteur de brûleur sur le réglage maximum pendant 5 minutes.
- Il est important d'assurer une ventilation adéquate pendant cette période.
- Éteignez les brûleurs au bout de 5 minutes et laissez-les refroidir complètement.

#### DANGER - INCENDIE DE GRAISSE

En cas d'incendie, ne prenez jamais de casserole ou de casserole en feu. Éteignez le brûleur s'il est sécuritaire de le faire. Éteignez le feu avec un extincteur à poudre chimique ou à mousse.

Ne pas utiliser d'eau sur les feux de graisse. L'eau répandra la graisse et n'éteindra pas le feu. Éteufez le feu avec un couvercle hermétique, une plaque à biscuits ou un plateau plat ou utilisez un extincteur à poudre ou à mousse.

En cas de feu dans le four pendant la cuisson, étouffez-le en fermant la porte du four et en l'éteignant ou utilisez un extincteur à poudre chimique ou à mousse.

#### DANGER - RISQUE D'INCENDIE

- Il est recommandé de connecter cet appareil à un circuit séparé qui n'est partagé avec aucun autre appareil.
- Ne nettoyez jamais les pièces de l'appareil avec des liquides inflammables. Ces émanations peuvent créer un risque d'incendie ou d'explosion. N'utilisez ni ne stockez jamais d'essence ou d'autres liquides ou vapeurs inflammables à l'intérieur ou à proximité de cet appareil. Sinon, vous risqueriez de provoquer un incendie ou une explosion.
- Avant de nettoyer ou d'entretenir cet appareil, débranchez-le complètement de la prise de courant. Ne pas le faire peut entraîner un choc électrique ou la mort.
- N'essayez pas de réparer ou de remplacer une partie de votre appareil à moins que cela ne soit spécifiquement recommandé dans ce manuel. Tout autre entretien doit être confié à un technicien qualifié.
- Pour votre sécurité, cet appareil ne doit jamais être utilisé comme source de chaleur ou comme chauffage d'appoint. Les éléments de la cuisinière ne doivent pas être utilisés sans batterie de cuisine appropriée.
- Toutes les ouvertures dans le mur derrière l'appareil et le sol sous l'appareil doivent être scellées.
- Gardez la zone autour de l'appareil dégagée et exempte de matériaux combustibles, d'essence et d'autres vapeurs inflammables.
- Ne pas obstruer le flux d'air autour de l'appareil.
- Débranchez toujours l'alimentation électrique de l'appareil avant tout entretien.

**GARDEZ CES INSTRUCTIONS!**



## Consignes de sécurité importantes

### LIRE ET SUIVRE TOUTES LES INSTRUCTIONS DE SÉCURITÉ

## EXIGENCES GÉNÉRALES DE SÉCURITÉ

Assurez-vous que l'appareil est correctement installé et mis à la terre par un technicien qualifié.

Les enfants ne doivent pas être laissés seuls ou sans surveillance dans la zone d'utilisation de l'appareil. Les enfants ne devraient jamais être autorisés à s'asseoir ou à se tenir debout sur une partie quelconque de l'appareil.

Ne rangez pas d'objets présentant un intérêt pour les enfants dans des armoires situées au-dessus d'une cuisinière ou à l'arrière de celle-ci. Les enfants grimper sur le parcours pour atteindre les objets pourraient être sérieusement blessés.

Pour éviter tout risque de brûlure ou d'incendie en atteignant les unités de surface chauffées, évitez les espaces de rangement situés au-dessus des unités de surface. Si le stockage des armoires doit être fourni, le risque peut être réduit en installant une hotte de cuisinière qui fait saillie horizontalement à au moins 12,7 cm (5 pouces) au-delà du bas des armoires.

Des vêtements amples ou suspendus ne doivent jamais être portés lors de l'utilisation de l'appareil.

Utilisez uniquement des maniques sèches. Des maniques humides ou mouillées sur des surfaces chaudes peuvent provoquer des brûlures par la vapeur. Ne laissez pas le récipient toucher des éléments chauffants chauds. N'utilisez pas une serviette ou un autre chiffon épais.

Si la table de cuisson électrique est coupée alors qu'un élément de surface est en marche, il se rallumera dès que l'alimentation sera rétablie. En cas de coupure de courant, le fait de ne pas tourner tous les boutons d'élément de surface en position OFF peut entraîner l'inflammation d'éléments sur ou à proximité de la table de cuisson, entraînant des blessures graves, voire mortelles.

Pour éviter tout risque de brûlure ou de choc électrique, assurez-vous toujours que les commandes de tous les éléments de surface sont en position OFF et que toutes les bobines sont froides avant de tenter de soulever ou de retirer un élément de cuisson à serpentin.

Cette gamme est conçue et fabriquée uniquement pour la cuisson des aliments domestiques (domestiques). Elle ne convient à aucune application non domestique et ne doit donc pas être utilisée dans un environnement commercial. La garantie de la gamme sera annulée si elle est utilisée dans un environnement non domestique.

### NE PAS TOUCHER LES ÉLÉMENTS CHAUFFANTS OU LES SECTEURS PRÈS DE CEUX-CI

Les éléments chauffants à la surface ou à l'intérieur de l'appareil peuvent être chauds, même s'ils sont de couleur sombre. Les zones proches des éléments chauffants peuvent devenir suffisamment chaudes pour causer des brûlures. Pendant et après l'utilisation, évitez de toucher les éléments chauffants ou les zones proches de ceux-ci et de ne pas les laisser toucher aux vêtements ou autres matériaux inflammables avant qu'ils n'aient eu le temps de refroidir. Les surfaces de l'appareil peuvent devenir suffisamment chaudes pour causer des brûlures, notamment les ouvertures de ventilation du four et les surfaces proches de ces ouvertures, des portes du four et des fenêtres du four.

### AVERTISSEMENT

Pour réduire les risques de brûlures, ne déplacez pas cet appareil lorsqu'il est chaud. Pour réduire les risques de blessures dues au basculement de l'appareil, vérifiez la réinstallation de cet appareil dans le dispositif anti-basculement fourni et verrouillez les roulettes après avoir remis l'appareil dans sa position d'origine.

### AVERTISSEMENT

Le fabricant décline toute responsabilité pour les dommages corporels ou matériels causés par une utilisation incorrecte ou inappropriée de la cuisinière.

**GARDEZ CES INSTRUCTIONS!**



## Consignes de sécurité importantes

### LIRE ET SUIVRE TOUTES LES INSTRUCTIONS DE SÉCURITÉ

#### EXIGENCES DE SÉCURITÉ DE LA TABLE DE CUISSON

Utilisez la taille de casserole appropriée. Cet appareil est équipé de quatre brûleurs de tailles différentes. Sélectionnez des ustensiles dont le fond plat est suffisamment grand pour couvrir la surface de l'élément chauffant. L'utilisation d'ustensiles sous-dimensionnés exposera une partie de l'élément chauffant au contact direct et pourrait provoquer l'inflammation des vêtements. Une relation correcte entre l'ustensile et le brûleur améliorera également l'efficacité.

Ne laissez jamais l'appareil sans surveillance pendant son utilisation. L'ébullition provoque le tabagisme et les déversements gras peuvent s'enflammer.

Ne laissez jamais de l'huile sans surveillance pendant la friture. Si on laisse chauffer au-delà de son point de fumer, l'huile peut s'enflammer et provoquer un incendie qui peut se propager aux armoires environnantes. Utilisez un thermomètre à graisse profonde autant que possible pour surveiller la température de l'huile.

Pour éviter les débordements d'huile et les incendies, utilisez une quantité minimale d'huile lorsque vous faites frire dans une casserole et évitez de faire cuire des aliments congelés contenant une quantité excessive de glace.

Assurez-vous que les bacs à réflecteur ou les cuvettes sont en place. L'absence de ces casseroles ou bols pendant la cuisson peut endommager le câblage ou les composants situés en dessous.

Seuls certains types d'ustensiles en verre, en céramique, en faïence ou autres objets émaillés conviennent au service de la cuisinière sans se rompre en raison d'un changement brusque de température.

Pour réduire les risques de brûlure, d'inflammation de matériaux inflammables et de renversement dû à un contact involontaire, le manche d'un ustensile doit être positionné de manière à être tourné vers l'intérieur et à ne pas s'étendre sur les brûleurs adjacents.

Les éléments chauffants amovibles ne doivent jamais être immergés dans l'eau.

Ne cuisinez pas sur une table de cuisson brisée. Si la table de cuisson devait se briser, des solutions de nettoyage et des éclaboussures pourraient pénétrer dans la table de cuisson brisée et créer un risque de choc électrique. Contactez immédiatement un technicien qualifié.

#### EXIGENCES DE SÉCURITÉ DU FOUR

Faites attention lorsque vous ouvrez la porte. Laissez l'air chaud ou la vapeur s'échapper avant de retirer ou de remplacer des aliments.

Ne chauffez pas les récipients d'aliments non ouverts. L'accumulation de pression peut faire éclater le conteneur et provoquer des blessures.

Gardez les fentes du four non obstruées.

Placez toujours les grilles du four à l'endroit désiré pendant que le four est froid. Si la grille doit être déplacée alors que le four est chaud, ne laissez pas le support de casserole entrer en contact avec la résistance chauffante du four.

N'utilisez pas le four si un élément chauffant présente un point brillant lors de son utilisation ou s'il présente d'autres signes de dommages. Un point rougeoyant indique que l'élément chauffant peut tomber en panne et présenter un risque de brûlure, d'incendie ou de choc électrique. Éteignez immédiatement le four et faites remplacer l'élément chauffant par un technicien qualifié.

Ne recouvrez pas les parois du four, les grilles ou les cuvettes des brûleurs de papier aluminium.

Ne placez pas d'étagères, de casseroles, de plateaux de support, de plateaux à griller ou d'autres ustensiles de cuisine au fond de la chambre du four. Toujours placer sur une étagère du four.

Ne nettoyez jamais le four avec des appareils de nettoyage à vapeur haute pression.

Ne laissez rien sur le dessus de l'évent du four. Ne couvrez jamais l'ouverture de l'évent du four avec du papier aluminium ou tout autre matériau.

**GARDEZ CES INSTRUCTIONS!**



## Consignes de sécurité importantes

LIRE ET SUIVRE TOUTES LES INSTRUCTIONS DE SÉCURITÉ

### AVANT DE COMMENCER

Déballer soigneusement l'appareil et assurez-vous que le four, la table de cuisson ou la structure ne sont pas endommagés et que la porte du four s'ouvre et se ferme correctement. Enlevez tous les matériaux d'emballage, tels que les sacs en plastique, la mousse de polystyrène, les courroies, etc. Conservez toujours les matériaux d'emballage hors de la portée des enfants afin d'éviter tout risque de blessure grave. La gamme a été minutieusement testée pour garantir un fonctionnement sûr et efficace. Cependant, comme pour tout appareil, certaines précautions d'installation et de sécurité spécifiques doivent être respectées pour assurer un fonctionnement sûr et satisfaisant.

Conservez ces instructions pour référence future.

L'installation de cet appareil nécessite des compétences mécaniques de base et environ 1 à 3 heures de temps.

L'installation correcte est la responsabilité de l'installateur. Une défaillance du produit due à une installation incorrecte n'est pas couverte par la garantie.

Avant de commencer l'installation, éteignez le panneau de service et verrouillez les moyens de déconnexion du service pour empêcher toute mise sous tension accidentelle. Si les moyens de déconnexion du service ne peuvent pas être verrouillés, attachez fermement un dispositif d'avertissement, tel qu'une étiquette, au panneau de service.

### INSTRUCTIONS DE MISE À LA TERRE

Cet appareil doit être mis à la terre. La mise à la terre réduit le risque de choc électrique en fournissant un fil de fuite pour le courant électrique.

Cet appareil est doté d'un cordon d'alimentation avec un fil de terre avec une fiche à 3 broches. Le cordon d'alimentation doit être branché sur une prise correctement mise à la terre. Si la prise est une prise murale à 2 broches, elle doit être remplacée par une prise murale à 3 broches correctement mise à la terre. La plaque signalétique indique la tension et la fréquence pour lesquelles l'appareil est conçu.

**AVERTISSEMENT** - Une utilisation incorrecte de la fiche de mise à la terre peut entraîner un risque de choc électrique. Consultez un électricien qualifié si les instructions de mise à la terre ne sont pas complètement comprises ou en cas de doute sur le point de savoir si l'appareil est correctement mis à la terre.

**Ne connectez pas l'appareil à des rallonges, des adaptateurs ou un autre appareil dans la même prise murale.**

Ne pas épisser le cordon d'alimentation. En aucun cas, ne coupez ou ne retirez la troisième broche de terre du cordon d'alimentation.

Si le cordon d'alimentation est endommagé, il doit être remplacé par le fabricant, son agent de service ou une personne qualifiée similaire afin d'éviter tout risque.

**Remarque:** La mise hors tension de l'appareil ne le déconnecte pas de l'alimentation électrique.

Il est recommandé de placer le cordon d'alimentation et la fiche parallèlement au sol, de manière à ce que le cordon soit parallèle au sol.

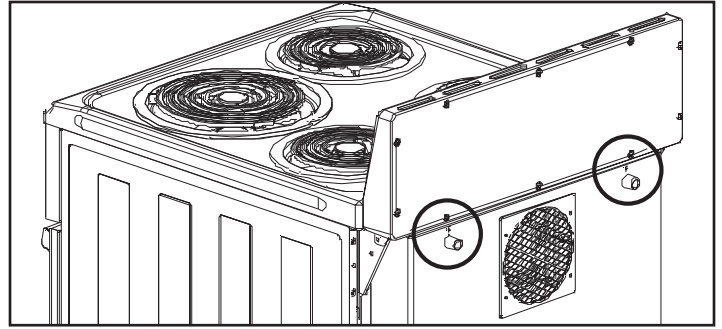
**GARDEZ CES INSTRUCTIONS!**

# INSTRUCTIONS D'INSTALLATION

## INSTALLATION DOSSERET

Le dossier agit comme un évent de chaleur pour le four et doit être installé avant l'utilisation de l'appareil.

1. Retirez les deux vis à l'arrière de l'appareil.
2. Alignez le dossier avec les trous de vis et fixez-le à l'appareil à l'aide des vis.



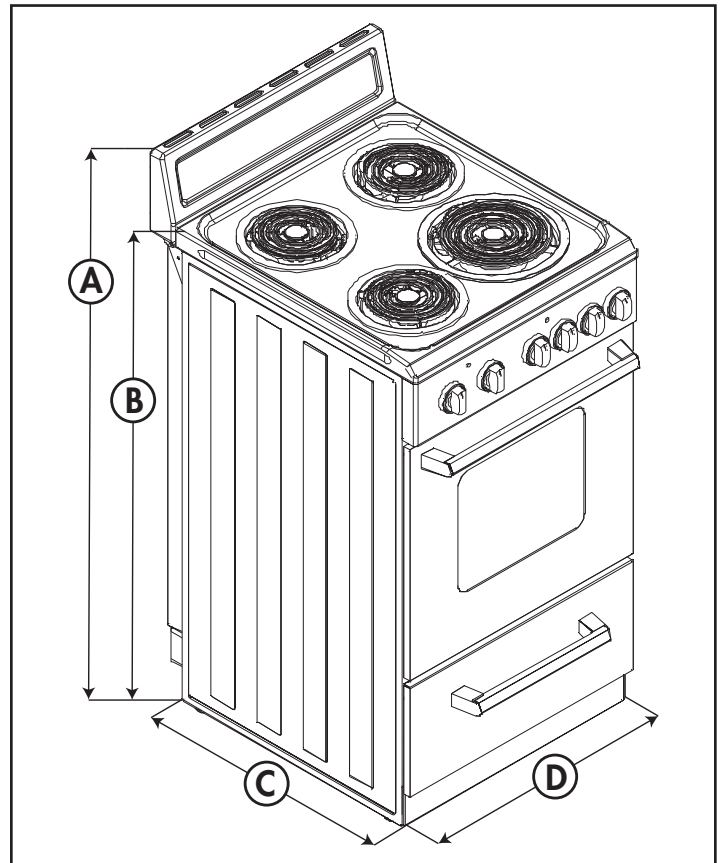
## DIMENSIONS

Ces dimensions de cet appareil sont:

- A. 41 pouces (104 cm) du sol au sommet du dossier
- B. 36,2 pouces (92 cm) du sol à la table de cuisson
- C. 25,5 pouces (64,8 cm) de profondeur
- D. 23,5 pouces (59,5 cm) de large

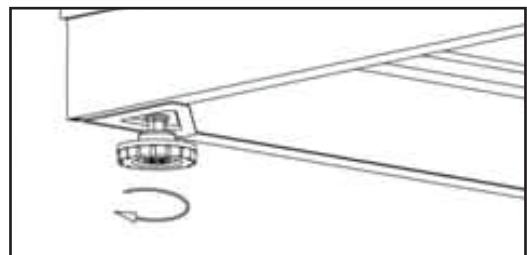
Il incombe à l'installateur de se conformer aux dégagements d'installation spécifiés dans le manuel. Les dimensions minimales d'ouverture et les dégagements de l'armoire doivent être utilisés. Les espaces minimaux doivent être maintenus entre la surface de cuisson de l'appareil et la surface horizontale au-dessus de la table de cuisson.

30 pouces (65 cm) est le jeu minimum entre le haut de la surface de cuisson et le bas d'un meuble en bois ou en métal non protégé.



## INSTRUCTIONS DE NIVELLEMENT

L'appareil doit être de niveau pour fonctionner correctement et en toute sécurité. Il y a quatre pieds de mise à niveau situés aux coins du bas de l'appareil. Ajustez les pieds de mise à niveau jusqu'à ce que l'appareil soit à niveau. Utilisez un niveau de charpentier pour confirmer.



# CONSIGNES D'UTILISATION

## CONTRÔLES DE CUISSON DE SURFACE

Les éléments chauffants de surface de l'appareil sont conçus pour une variété de réglages de chaleur.

Aux positions HI et LO, il y a de légers retraits et le bouton s'enclenche dans ces positions. HI indique le réglage le plus élevé. LO indique le réglage le plus bas.

Un bruit de clic peut être entendu par l'appareil pendant son utilisation. Ceci est normal et indique que le réglage de chaleur sélectionné est maintenu.

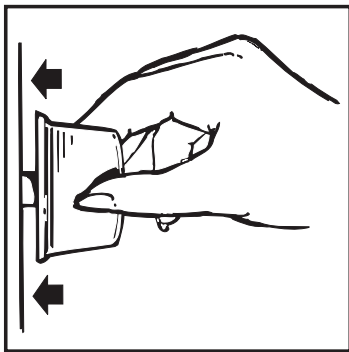
Le passage à un réglage de chaleur plus élevé se produira plus rapidement que le passage à un réglage de chaleur plus bas car il faudra du temps pour que la chaleur se dissipe.

## RÉGLAGE DES COMMANDES

1. Appuyez sur le bouton de commande.
2. Tournez au réglage de chaleur souhaité.

Le bouton ne doit être enfoncé que lorsque vous sortez de la position «OFF». Lorsque le bouton est dans une position autre que «OFF», vous pouvez le tourner sans appuyer.

Assurez-vous que l'élément est éteint lorsque la cuisson est terminée. Un voyant s'allumera lorsqu'un élément chauffant est allumé.

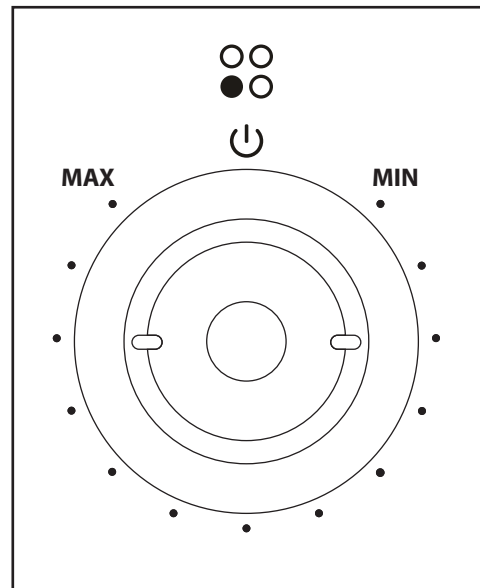


## GUIDE DE RÉGLAGE DE LA CHALEUR

- HI - démarrage rapide pour la cuisson; porter à ébullition
- MOYENNE HAUTE - Frite rapide; pan grill; maintenir une ébullition rapide sur une grande quantité de nourriture
- MED - Sauté et brun; maintenir une ébullition lente sur une grande quantité de nourriture
- MOYENNE BASSE - Céréales; maintenir la température de service de la plupart des aliments
- LO - Cuire après avoir commencé à HI; cuisiner avec un peu d'eau dans une casserole couverte; utiliser pour cuire du riz à la vapeur; faire fondre du chocolat ou du beurre

Ne laissez jamais des aliments sans surveillance pendant la cuisson. Les débordements provoquent le tabagisme. Des éclaboussures grasses peuvent prendre feu.

Notez que l'icône au-dessus du bouton indique le brûleur qu'il contrôle.



# CONSIGNES D'UTILISATION

## CONSEILS DE CUISSON DE SURFACE

Utilisez des ustensiles de cuisine de poids moyen ou lourd. Les ustensiles de cuisson en aluminium conduisent la chaleur plus rapidement que les autres métaux. Les ustensiles de cuisson en fonte et en fonte enrobée absorbent lentement la chaleur, mais cuisent généralement de manière uniforme à des températures de chauffage faibles ou moyennes. Les casseroles en acier peuvent cuire de façon inégale si elles ne sont pas combinées avec d'autres métaux.

Ne surchargez pas les ustensiles de cuisson avec de la graisse qui pourrait se renverser lors de l'ajout d'aliments. Les aliments givrés bouillonnent vigoureusement. Regardez les aliments frire à haute température. Gardez la cuisinière et la hotte propres de la graisse accumulée.

Pour conserver le maximum d'énergie de cuisson, les casseroles doivent être plates sur le fond, avoir des côtés droits et des couvercles bien ajustés. Faites correspondre la taille de la casserole à la taille de l'élément de surface. Une casserole qui dépasse de plus d'un pouce du bord de l'égouttoir retient la chaleur, ce qui provoque des «craquelures» (fines fissures) sur la porcelaine et une décoloration allant du bleu au gris foncé sur les égouttoirs chromés.

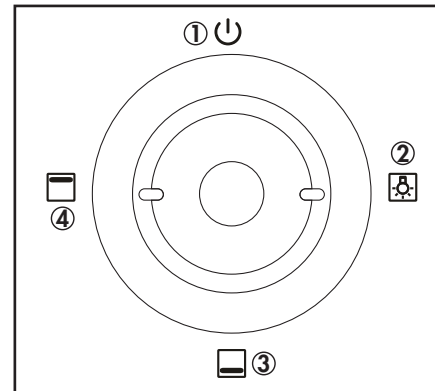
Essayez les éléments renversés avec un chiffon humide dès qu'ils refroidissent. Assurez-vous que le bouton de commande est réglé sur OFF.

Ne laissez jamais une casserole vide ou qui a bouilli à sec sur un élément de surface chaud. Le pot pourrait surchauffer et endommager le pot ou la surface de l'appareil. Assurez-vous toujours que tous les boutons de commande sont sur OFF et que les voyants sont éteints lorsque l'appareil n'est pas utilisé.

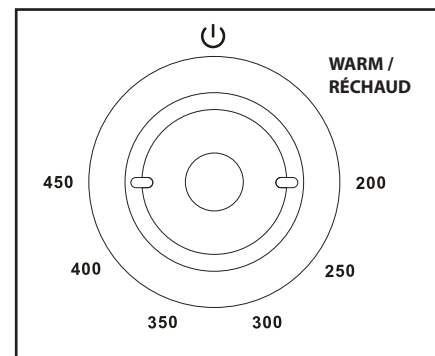
## COMMANDES DE CUISSON AU FOUR

Le four dispose de trois fonctions disponibles pouvant être réglées à l'aide du sélecteur de fonctions.

1. OFF
2. Lumière
3. Cuire
4. Griller



Le bouton du four sert à choisir la température de cuisson du four et est indiqué par incréments de 50 degrés, de 200°F à 450°F.



Pour utiliser le four, tournez le bouton de sélection de fonction pour cuire et tournez le bouton de température du four à la température de cuisson désirée.

La lumière du four s'allume jusqu'à ce que le four atteigne la température sélectionnée, puis s'éteint. Pendant la cuisson, le voyant s'allumera chaque fois que le four doit ajouter de la chaleur pour maintenir la température sélectionnée.

## CONSIGNES D'UTILISATION

### CUISSON AU FOUR ET RÔTISSAGE

1. Placez les étagères dans le four. Si vous cuisinez sur deux étagères en même temps, décalez les casseroles pour une meilleure circulation de la chaleur.
2. Fermez la porte du four. Tournez le sélecteur de fonction pour cuire. Tourner le bouton de température du four à la température désirée.
3. Laissez le four préchauffer si nécessaire.
4. Placez les aliments au centre de la grille du four. Laissez au moins 2 pouces entre la fin de la casserole et la paroi du four ou les casseroles adjacentes.
5. Vérifiez la nourriture régulièrement. Retirez une fois terminé et assurez-vous que le four est éteint.

### CONSEILS DE CUISSON ET DE RÔTISSAGE

- Suivez une recette testée et mesurez les ingrédients avec soin. Si vous utilisez un mélange de paquets, suivez les instructions sur l'étiquette.
- N'ouvrez pas la porte du four pendant la cuisson ou le rôtissage. La chaleur sera perdue et le temps de cuisson pourrait devoir être prolongé. Si vous devez ouvrir la porte, ouvrez-la partiellement et fermez-la le plus rapidement possible.
- La torréfaction cuit à la chaleur sèche. La viande ou la volaille tendre peuvent être rôties à découvert. Les températures de rôtissage, qui devraient être basses et régulières, limitent les éclaboussures. Lors de la torréfaction, il n'est pas nécessaire de saisir, arroser, couvrir ou ajouter de l'eau à la viande.
- Les rôtis de viande congelés peuvent être cuits sans décongélation, mais attendez 10 à 25 minutes supplémentaires par livre de viande (10 minutes par livre pour les rôtis de moins de 5 livres, plus de temps pour les rôtis plus grands).
- Décongelez la volaille congelée avant de la rôtir pour assurer une cuisson uniforme. Certaines volailles commerciales congelées peuvent être cuites avec succès sans décongélation. Suivez les instructions données sur l'étiquette de l'emballage.

### GRIL AU FOUR

La cuisson au gril implique la cuisson des aliments par la chaleur radiante intense de l'élément supérieur du four. La plupart des poissons et des coupes de viande tendres peuvent être grillés. Suivez ces étapes pour limiter les éclaboussures et le tabagisme.

1. Si la viande est grasse ou tordue sur le bord, coupez des barres verticales à environ 2 pouces l'une de l'autre. Si vous le souhaitez, vous pouvez éliminer la graisse en laissant une couche d'environ 1/8" d'épaisseur.
2. Placez la viande sur une grille dans une lèchefrite conçue pour la cuisson au gril. Utilisez toujours la grille pour que la graisse s'égoutte dans la lèchefrite; sinon, le jus peut devenir suffisamment chaud pour prendre feu.
3. Placez l'étagère dans l'une des deux premières positions pour la plupart des grillades.
4. Placez les aliments dans le four et fermez la porte. Toujours griller avec la porte fermée.
5. Tournez le sélecteur de fonction du four sur BROIL.
6. Tournez le bouton de température du four sur la température de cuisson désirée.
7. La nourriture peut être retournée pendant la cuisson au gril si nécessaire. Faites attention à l'air chaud ou à la vapeur lors de l'ouverture de la porte du four.
8. Assurez-vous de mettre le bouton de température du four sur OFF une fois la cuisson au gril terminée.

### CONSEILS DE GRILLAGE

- Si vous le souhaitez, faites mariner les viandes ou le poulet avant de les faire griller ou badigeonnez-les de sauce barbecue au cours des 5 à 10 dernières minutes de cuisson.
- Lorsque vous rangez les aliments dans une casserole, ne laissez pas de bords gras pendre sur les côtés, car les graisses qui s'égouttent souilleront le four pendant la cuisson.

## CONSIGNES D'UTILISATION

### OVEN SHELVES

Les grilles du four sont conçues avec des butées de blocage de sorte que, lorsqu'elles sont placées correctement sur leurs supports, elles s'arrêtent avant de sortir complètement du four et ne s'inclinent pas lorsque des aliments sont retirés ou ajoutés.

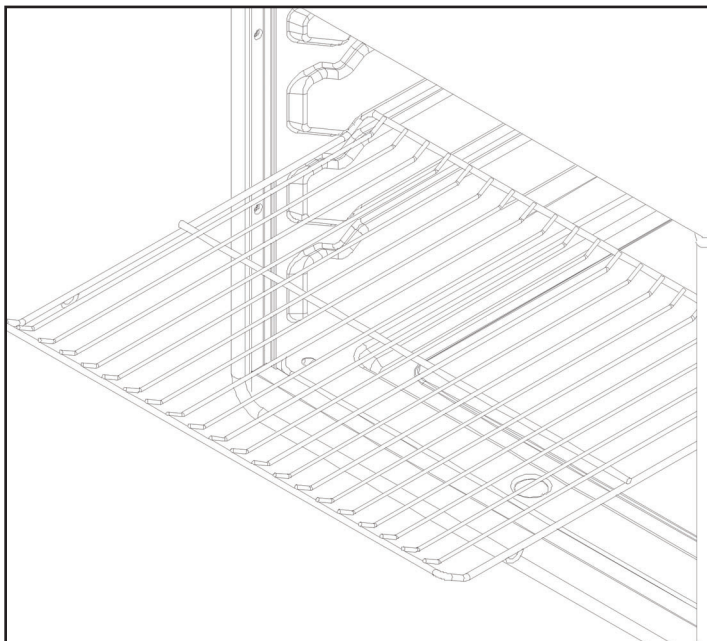
Pour retirer les clayettes du four, tirez-les vers l'extérieur, inclinez l'extrémité avant vers le haut et sortez-les.

Pour replacer les clayettes, placez-les sur le support avec les verrous d'arrêt orientés vers le haut et vers l'arrière du four. Relevez l'avant et poussez la clayette vers l'arrière du four jusqu'à ce qu'elle dépasse la butée sur son support, puis abaissez l'avant de la clayette et poussez-la jusqu'au fond du four.

Le four dispose de quatre positions différentes de support d'étagère pour répondre aux différentes exigences de cuisson.

### POSITIONS D'ÉTAGÈRES

- La plupart des opérations de cuisson se font à la deuxième ou à la troisième position à partir du bas du four.
- Lors de la cuisson de plusieurs articles, utilisez deux étagères placées sur les deuxième et quatrième supports à partir du bas du four.
- Cuire les gâteaux des anges sur la première position à partir du bas du four.
- Le rôtissage est généralement effectué sur la position inférieure du plateau.
- Si un préchauffage est nécessaire, surveillez la lampe du four et placez les aliments dans le four une fois le voyant éteint. La lampe du four s'allume et s'éteint avec le thermostat du four pour maintenir une température uniforme.



### Conversions de température

Fahrenheit	140	150	170	200	250	275	300	325	350	375	400	425	450	475	500	525	550
Celsius	60	65	75	95	120	135	150	160	175	190	205	220	230	245	260	275	290

## SOINS ET ENTRETIEN

### ELEMENTS DE SURFACE

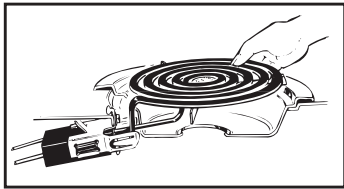
Pour nettoyer les éléments chauffants de surface, tournez le bouton de contrôle de la température au réglage le plus élevé pendant une minute; cela brûlera tout résidu de nourriture. Notez que cela pourrait provoquer de la fumée, il est conseillé d'ouvrir une fenêtre ou de mettre en marche un ventilateur pour éviter la formation de fumée.

Ne pas immerger les éléments chauffants dans aucun liquide. Ne mettez pas les éléments chauffants dans un lave-vaisselle.

Pour retirer les bacs d'égouttement pour le nettoyage, retirez d'abord les éléments chauffants. Assurez-vous que les éléments sont froids avant de les toucher.

Soulevez l'élément à environ 1 po au-dessus du plateau d'égouttement et tirez pour le retirer. Ne soulevez pas l'élément de plus de 2,5 cm (1 po), car cela pourrait plier les composants internes et l'élément pourrait ne pas rester à plat lors de son remplacement.

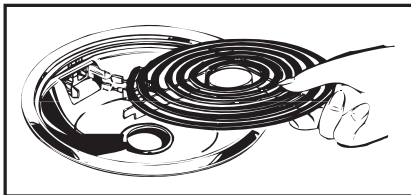
Retirez le plateau d'égouttement et nettoyez-le si nécessaire. Les bacs d'égouttement peuvent être nettoyés au lave-vaisselle ou à la main.



Une fois le nettoyage terminé, remplacez la lèchefrite dans le creux de la table de cuisson. Assurez-vous que l'ouverture de la casserole est alignée avec le récipient.

Insérez les bornes de l'élément chauffant à travers l'ouverture dans le plateau d'égouttement et dans le réceptacle. Guidez l'élément en place doucement pour qu'il repose uniformément.

Ne pas essayer de nettoyer, d'ajuster ou de réparer les réceptacles de quelque manière que ce soit.



### NETTOYAGE

#### Table de cuisson en porcelaine émaillée

La finition en émail de porcelaine sur la table de cuisson est solide mais peut être endommagée si elle est mal utilisée. Tous les aliments acides tels que les jus de fruits, les tomates et le vinaigre ne devraient pas être autorisés à rester sur le fini pour une durée indéterminée.

#### Soulever la table de cuisson

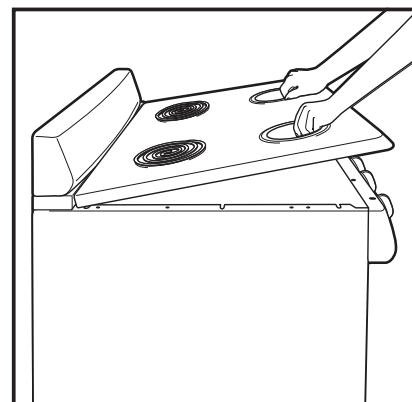
La table de cuisson peut être soulevée afin que la zone située en dessous puisse être nettoyée. Les déversements qui débordent des bacs d'égouttement, en particulier la graisse, doivent être nettoyés pour éviter toute accumulation, ainsi que le risque de fumée ou d'inflammation.

Assurez-vous que les éléments chauffants sont éteints et refroidis avant de soulever la table de cuisson.

Retirez les éléments chauffants et les bacs d'égouttement.

Soulevez le dessus de la plaque de cuisson et maintenez-le ouvert avec la tige interne pour faciliter le nettoyage. Cette zone peut être nettoyée avec de l'eau chaude savonneuse et un chiffon propre.

Une fois l'opération terminée, remettez la tige de propulsion interne dans sa position initiale et abaissez la plaque de cuisson jusqu'à ce qu'elle s'enclenche. Veillez à ne pas vous pincer les doigts. Remplacez les bacs d'égouttement et les éléments chauffants.



## SOINS ET ENTRETIEN

### Intérieur du four en porcelaine

Avec des soins appropriés, l'intérieur en émail de porcelaine conservera sa finition pendant de nombreuses années.

On peut utiliser du savon et de l'eau pour nettoyer l'intérieur. Les éclaboussures ou les déversements importants peuvent nécessiter un nettoyage avec un nettoyant abrasif doux.

Ne laissez pas les déversements à forte teneur en acide, tels que le lait, les tomates, les jus de fruits ou les garnitures pour tartes, à la surface. Ils peuvent causer des taches ternes même après le nettoyage.

L'ammoniac domestique peut faciliter le nettoyage. Placez 1/2 tasse d'ammoniac dans un plat en verre peu profond et laissez au four froid pendant la nuit. Les vapeurs d'ammoniac aideront à desserrer la graisse et les aliments brûlés.

### Précautions relatives à l'utilisation de nettoyants pour four à pulvériser

Ne vaporisez pas de nettoyant pour four sur les commandes et les commutateurs électriques car cela pourrait provoquer un court-circuit et causer des étincelles ou un incendie.

Ne vaporisez pas de nettoyant pour four directement sur les éléments chauffants du four.

Ne laissez pas de film du nettoyant pour four sur le capteur de température car cela pourrait provoquer une surchauffe du four. Le capteur est situé sur le dessus du four. Essuyez soigneusement l'ampoule après chaque nettoyage du four, en veillant à ne pas déplacer le capteur, car tout changement de position pourrait affecter la cuisson du four.

Ne vaporisez pas de nettoyant pour four sur l'extérieur de la porte du four, les poignées ou toute surface extérieure du four, du meuble ou des surfaces peintes. Le nettoyant peut endommager ces surfaces.

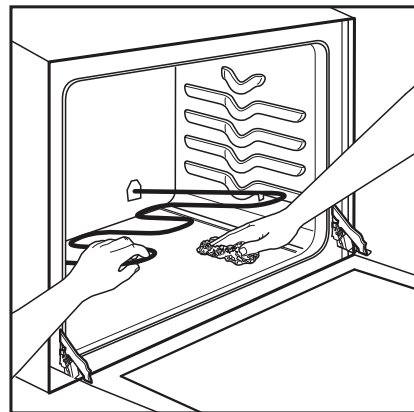
### Étagères de four

Nettoyez les étagères avec un nettoyant abrasif ou de la laine d'acier. Après le nettoyage, rincez les étagères à l'eau claire et séchez-les avec un chiffon propre.

### Éléments chauffants du four

Ne nettoyez ni l'élément de cuisson ni l'élément de gril. Tout résidu de nourriture brûlera lorsque les éléments seront chauffés.

L'élément de cuisson peut être légèrement soulevé pour nettoyer le fond du four. Assurez-vous que l'élément est froid avant de le nettoyer.



### Boutons de commande

Les boutons de commande peuvent être retirés pour faciliter le nettoyage. Assurez-vous que les boutons sont en position «OFF», puis tirez-les tout droit pour les nettoyer.

Les boutons peuvent être nettoyés au lave-vaisselle ou à la main. Assurez-vous que l'intérieur des boutons est sec avant de le remettre en place.

### Surfaces peintes

Les surfaces peintes comprennent les côtés, le panneau de commande, la porte et la plaque de protection. Nettoyez-les avec du savon et de l'eau ou avec une solution de vinaigre et d'eau.

N'utilisez pas de nettoyants pour four, de poudres à récurer, de laine d'acier ou d'abrasifs abrasifs du commerce sur une surface peinte.

### PORTE DU FOUR AMOVIBLE

La porte du four est amovible mais elle est lourde. Il est recommandé qu'au moins deux personnes travaillent ensemble pour l'enlever.

#### Pour enlever la porte:

1. Ouvrez la porte en position complètement ouverte.
2. Tirez la charnière sur les crochets des deux côtés.
3. Saisissez la porte fermement des deux côtés, soulevez-la légèrement et tirez-la tout droit vers l'extérieur du four.

#### Pour remplacer la porte:

1. Saisissez fermement les deux côtés de la porte en haut.
2. Insérez et insérez les bras de charnière supérieurs et inférieurs dans les fentes du four.
3. Poussez les verrous de charnière vers le bas à partir des crochets.
4. Fermez la porte du four et assurez-vous qu'il fonctionne correctement. Si elle semble inégale ou ne ferme pas complètement, retirez-la à nouveau et répétez les étapes pour la remplacer..

**Remarque:** N'essayez pas de fermer la porte tant qu'elle n'est pas correctement installée. Les charnières pourraient être endommagées.

### TIROIR DE RANGEMENT AMOVIBLE

Pour nettoyer le tiroir de rangement inférieur, tirez-le jusqu'à ce qu'il ne soit plus possible de le tirer, puis soulevez-le.

Pour replacer le tiroir de rangement dans l'appareil, placez la tablette sur les rails latéraux et poussez-la vers l'intérieur.

### REPLACEMENT DE LA LUMIÈRE DU FOUR

**Important:** Avant de remplacer l'ampoule du four, assurez-vous que l'alimentation électrique est débranchée de l'appareil. Sinon, vous risquez un choc électrique ou une brûlure.

Assurez-vous de laisser le couvercle de la lampe et l'ampoule refroidir complètement avant de les remplacer.

Le retrait de la porte du four peut faciliter ce processus.

#### Pour remplacer l'ampoule:

1. Retirez le couvercle de la lampe de protection. Ne retirez aucune vis pour retirer le cache de la lampe.
2. Ne touchez pas l'ampoule avec un chiffon humide. Remplacez l'ampoule par une ampoule adaptée aux températures élevées et répondant aux mêmes spécifications: 240V, 60Hz, 15W, E14.
3. Remplacez le couvercle de protection.

### FENÊTRE DE PORTE EN VERRE

Pour nettoyer l'extérieur de la fenêtre de la porte vitrée, utilisez un nettoyant pour vitres. Rincez et polissez avec un chiffon sec.

Évitez de rayer ou de heurter la vitre. Cela risquerait de casser le verre.

## DÉPANNAGE

Danby soins du consommateur : 1-800-263-2629 ou [consumerservice@danby.com](mailto:consumerservice@danby.com)

### Heures d'ouverture :

Du lundi au jeudi, de 8 h 30 à 18 h, heure de l'Est  
Vendredi, de 8 h 30 à 16 h, heure de l'Est

Les informations contenues dans ce manuel sont sujettes à modification sans préavis.

PROBLÈME	CAUSE POSSIBLE
Aucune puissance	<ul style="list-style-type: none"><li>• Un fusible peut être grillé ou le disjoncteur déclenché</li><li>• La fiche n'est pas complètement insérée dans la prise murale</li></ul>
Les éléments de surface ne fonctionnent pas correctement	<ul style="list-style-type: none"><li>• Les éléments ne sont pas correctement installés</li><li>• Les contrôles ne sont pas configurés correctement</li><li>• Les bacs d'égouttement ne sont pas fixés correctement dans la table de cuisson</li></ul>
Les aliments ne grillent pas correctement	<ul style="list-style-type: none"><li>• La température du four n'est pas correctement réglée</li><li>• La position de l'étagère est trop basse</li><li>• Les ustensiles de cuisson ne conviennent pas au grillage</li><li>• Le papier d'aluminium est utilisé et bloque le flux d'air</li></ul>
La nourriture ne cuit pas ou ne rôtit pas correctement	<ul style="list-style-type: none"><li>• La température du four n'est pas correctement réglée</li><li>• La position de la tablette est incorrecte</li><li>• Le four n'était pas préchauffé</li><li>• Les ustensiles de cuisine ne conviennent pas pour la cuisson ou le rôtissage</li></ul>
La lumière du four ne fonctionne pas	<ul style="list-style-type: none"><li>• Ampoule est lâche</li><li>• Le commutateur d'éclairage ne fonctionne pas correctement</li></ul>

## GARANTIE LIMITÉE « À DOMICILE »

Cet appareil de qualité est garanti exempt de tout vice de matière première et de fabrication, s'il est utilisé dans les conditions normales recommandées par le fabricant.

Cette garantie n'est offerte qu'à l'acheteur initial de l'appareil vendu par Danby Products Limited (Canada) ou Danby Products Inc. (É.-U.) (ci-après « Danby ») ou par l'un de ses distributeurs agréés et elle ne peut être transférée.

### CONDITIONS

Les pièces en plastique sont garanties pendant trente (30) jours seulement à partir de la date de l'achat, sans aucune prolongation prévue.

**Premiers 24 mois** Pendant les premiers **vingt quatre (24) mois**, toutes les pièces fonctionnelles de ce produit qui s'avèrent défectueuses seront réparées ou remplacées, selon le choix du garant, sans frais à l'acheteur initial.

**Pour bénéficiaire du service** S'adresser au détaillant qui a vendu l'appareil, ou à la station technique agréée de service la plus proche, où les réparations doivent être effectuées par un technicien qualifié. Si les réparations sont effectuées par quiconque autre que la station de service agréée ou à des fins commerciales, toutes les obligations de Danby en vertu de cette garantie seront annulées.

**Limites de l'entretien à domicile** Danby se réserve le droit de limiter les limites de « Service au domicile » à proximité d'un dépôt de service agréé. Pour tout appareil nécessitant le service hors des limites de "Service à domicile" il sera la responsabilité du consommateur de transporter à ses frais au point d'achat d'origine ou un dépôt de service pour la réparation. Si l'appareil est installé à plus de **100 kilomètres (62 milles)** du centre de service le plus proche, il doit être livré à l'atelier de réparation autorisé par Danby le plus proche, car l'entretien doit uniquement être réalisé par un technicien qualifié et certifié pour effectuer un entretien couvert par la garantie de Danby.

Les frais de transport entre votre domicile et le lieu de l'entretien ne sont pas couverts par la présente garantie et doivent être acquittés par l'acheteur.

Aucune partie de la garantie ne prévoit implicitement que le fabricant sera tenu responsable des dommages subis par les aliments ou d'autres types de contenu, qu'ils soient causés par la défectuosité de l'appareil ou par son usage adéquat ou inadéquat.

### EXCLUSIONS

En vertu de la présente, il n'existe aucune autre garantie, condition ou représentation, qu'elle soit exprimée ou tacite, de façon manifeste ou intentionnelle, par Danby ou ses distributeurs agréés. De même, sont exclues toutes les autres garanties, conditions ou représentations, y compris les garanties, conditions ou représentations en vertu de toute loi régissant la vente de produits ou de toute autre législation ou règlement semblable. **En vertu de la présente, Danby ne peut être tenue responsable en cas de blessures corporelles ou de dégâts matériels, y compris à l'appareil, quelle qu'en soit la cause. Danby ne peut pas être tenue responsable des dommages indirects dus au fonctionnement défectueux de l'appareil. En achetant l'appareil, l'acheteur accepte de tenir sans reproche et de décharger Danby de toute responsabilité en cas de réclamation pour toute blessure corporelle ou tout dégât matériel causé par cet appareil.**

### CONDITIONS GÉNÉRALES

La garantie ou assurance ci-dessus ne s'applique pas si les dégâts ou réparations sont dus aux cas suivants :

- 1) Panne de courant.
- 2) Dommages subis pendant le transport ou le déplacement de l'appareil.
- 3) Alimentation électrique incorrecte (tension faible, câblage défectueux, fusibles incorrects).
- 4) Accident, modification, emploi abusif ou incorrect de l'appareil tel qu'une circulation d'air inadéquate dans la pièce ou des conditions de fonctionnement anormales (température extrêmement élevée ou basse).
- 5) Utilisation dans un but commercial ou industriel (à savoir, si l'appareil n'est pas installé dans un domicile résidentiel).
- 6) Incendie, dommages causés par l'eau, le vol, la guerre, une émeute, des hostilités, ou en cas de force majeure (ouragan, inondation, etc.).
- 7) Visites d'un technicien pour expliquer le fonctionnement de l'appareil au propriétaire.
- 8) Installation inappropriée (par exemple, encastrement d'un appareil autoportant, ou utilisation extérieure d'un appareil non conçu à cet effet, y compris, mais sans s'y limiter : les garages, les patios, les porches ou ailleurs, qui ne sont pas correctement isolés ou climatisés).

La preuve de la date d'achat sera requise pour les réclamations de garantie; conserver la facture de vente. Dans le cas où un service de garantie est requis, présentez la preuve d'achat à notre dépôt de service agréé.

#### Service sous garantie

Service au domicile

Danby Products Limited  
PO Box 1778, Guelph, Ontario, Canada N1H 6Z9  
Téléphone : (519) 837-0920 Télécopieur : (519) 837-0449

**1-800-263-2629**

02/18

Danby Products Inc.  
PO Box 669, Findlay, Ohio, U.S.A. 45840  
Téléphone : (419) 425-8627 Télécopieur : (419) 425-8629

# Bienvenido

Bienvenido a la familia Danby. Estamos orgullosos de nuestros productos de calidad y creemos en un servicio confiable. Sugerimos que lea este manual del propietario antes de conectar el nuevo aparato ya que contiene información importante sobre la operación, información de seguridad, solución de problemas y consejos de mantenimiento para garantizar la fiabilidad y longevidad de su electrodoméstico.

Visite **www.Danby.com** para acceder a herramientas de autoservicio, preguntas frecuentes y mucho más. Para asistencia adicional, llame al **1-800-263-2629**.

**Tenga en cuenta la información siguiente; Necesitará esta información para obtener un servicio bajo garantía.**

**Debe proporcionar el recibo de compra original para validar su garantía y recibir servicio.**

**Número de modelo:** \_\_\_\_\_

**Número de serie:** \_\_\_\_\_

**Fecha de compra:** \_\_\_\_\_

## Necesitas ayuda?

Antes de llamar al servicio, aquí hay algunas cosas que puede hacer para ayudarnos a servirle mejor.

### **Lea este manual del propietario:**

Contiene instrucciones para ayudarlo a usar y mantener su aparato correctamente.

### **Si recibe un aparato dañado:**

Inmediatamente póngase en contacto con el minorista o el constructor que le vendió el aparato.

### **Ahorre tiempo y dinero:**

Consulte la sección de solución de problemas al final de este manual antes de llamar. Esta sección le ayudará a resolver problemas comunes que pueden ocurrir.



1-800-26- Danby  
(1-800-263-2629)



## Importantes Instrucciones de Seguridad

### LEA Y SIGA TODAS LAS INSTRUCCIONES DE SEGURIDAD

### ADVERTENCIA - PELIGRO DE VUELCO

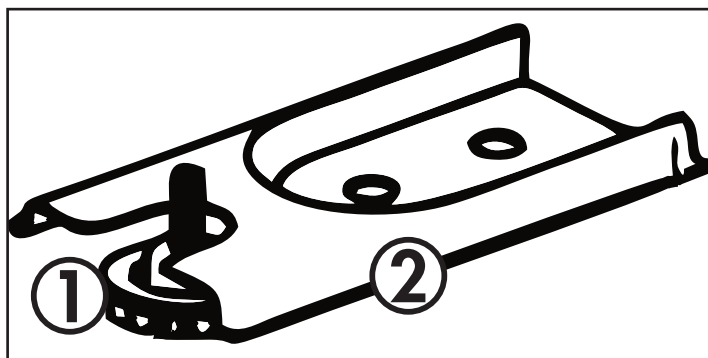
- Un niño o un adulto puede volcar el aparato y matarlo.
- Verifique que el soporte antivuelco se haya instalado correctamente en el piso.
- Asegúrese de que el soporte antivuelco se vuelva a enganchar cuando se mueva el rango.
- No opere la estufa sin el soporte antivuelco colocado y enganchado.
- El incumplimiento de estas instrucciones puede provocar la muerte o quemaduras graves en niños o adultos.

### SOPORTE ANTIVUELCO

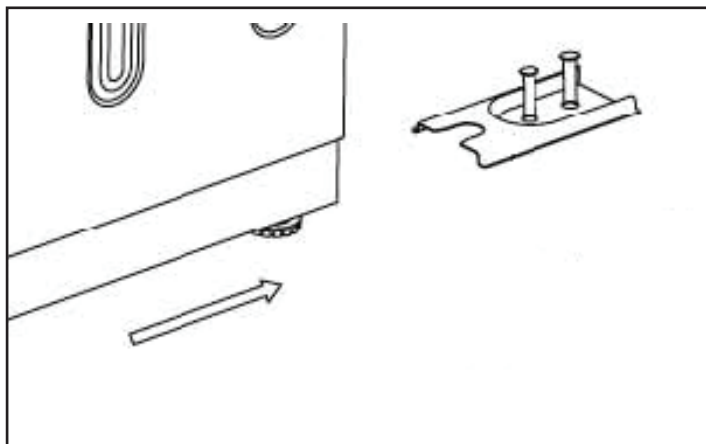
Para reducir el riesgo de que la estufa se vuelque por el uso anormal o la carga inadecuada de la puerta, la estufa debe asegurarse instalando el soporte antivuelco incluido con este aparato. El soporte antivuelco se puede instalar en la pata trasera izquierda o derecha mediante siguiendo las instrucciones a continuación.

1. Coloque el soporte antivuelco en el piso donde se instalará la estufa.
2. Marque las ubicaciones de los dos agujeros en el soporte antivuelco.
3. Use una broca de mampostería de 5/16" para perforar un agujero en el piso e inserte el ancla de plástico provista.
4. Asegure el soporte al piso con los tornillos provistos.
5. Deslice la estufa a su posición, asegurándose de que el soporte antivuelco esté colocado sobre el pie trasero del aparato según las imágenes a continuación.

**Nota:** Si alguna vez se reubica el rango, se debe quitar e instalar el soporte antivuelco en la nueva ubicación.



1. Pie
2. Soporte antivuelco



### WARNING

#### ASFIXIA Y RIESGO DE ATRAPAMIENTO INFANTIL

Para evitar la posibilidad de que un niño quede atrapado, tome las siguientes precauciones antes de tirar el aparato:

- Retire la puerta del horno por completo
- Nunca permita que los niños operen, jueguen o gateen dentro del rango eléctrico

**¡GUARDE ESTAS INSTRUCCIONES!**



## Importantes Instrucciones de Seguridad

### LEA Y SIGA TODAS LAS INSTRUCCIONES DE SEGURIDAD

#### AVISO: ANTES DEL USO POR PRIMERA VEZ

Antes de usar esta gama por primera vez, los elementos calefactores tienen una capa protectora que debe quemarse antes de su uso. Para hacer esto:

- Abra la puerta del horno y ajuste la perilla de control de temperatura a 450°F.
- Gire el selector de funciones al elemento de horneado y al elemento de asado por separado durante aproximadamente 15 minutos.
- Es importante garantizar una ventilación adecuada durante este período.

Los quemadores también tienen una capa protectora que debe quemarse antes de su uso. Para hacer esto:

- Ajuste el selector del quemador a la configuración máxima durante 5 minutos.
- Es importante garantizar una ventilación adecuada durante este período.
- Apague los quemadores después de 5 minutos y deje que se enfríen por completo.

#### PELIGRO - INCENDIOS DE GRASA

En caso de incendio, nunca levante una olla o sartén en llamas. Apague el quemador si es seguro hacerlo. Extinga el fuego con un químico seco o un extintor tipo espuma.

No use agua en incendios de grasa. El agua extenderá la grasa y no extinguirá el fuego. Apague el fuego con una tapa hermética, una bandeja para hornear galletas o una bandeja plana o use un químico seco o un extintor de espuma.

Si hay un incendio en el horno durante el horneado, apague el fuego cerrando la puerta del horno y apagándolo o use un químico seco o un extintor de espuma.

#### PELIGRO - RIESGO DE INCENDIO

- Se recomienda que este dispositivo se conecte a un circuito separado que no se comparta con ningún otro dispositivo.
- Nunca limpie las partes del electrodoméstico con fluidos inflamables. Estos humos pueden crear un peligro de incendio o explosión. Nunca use ni almacene gasolina u otros vapores o líquidos inflamables dentro o cerca de este artefacto, de lo contrario, podría ocasionar un incendio o una explosión.
- Antes de limpiar o reparar este electrodoméstico, desenchúfelo completamente del tomacorriente. No hacerlo puede provocar descargas eléctricas o la muerte.
- No intente reparar o reemplazar ninguna parte de su electrodoméstico a menos que se recomiende específicamente en este manual. Todos los demás servicios deben remitirse a un técnico de servicio calificado.
- Por su seguridad, este electrodoméstico nunca debe usarse como fuente de calor o como un calentador ambiental. Los elementos superiores de la estufa no deben funcionar sin los utensilios de cocina adecuados.
- Todas las aberturas en la pared detrás del electrodoméstico y el piso debajo del electrodoméstico deben estar selladas.
- Mantenga el área alrededor del aparato limpia y libre de materiales combustibles, gasolina y otros vapores inflamables.
- No obstruya el flujo de aire alrededor del aparato.
- Siempre desconecte el suministro eléctrico al electrodoméstico antes de dar servicio.

**¡GUARDE ESTAS INSTRUCCIONES!**



## Importantes Instrucciones de Seguridad

### LEA Y SIGA TODAS LAS INSTRUCCIONES DE SEGURIDAD

#### GENERAL SAFETY REQUIREMENTS

Asegúrese de que el electrodoméstico esté correctamente instalado y conectado a tierra por un técnico calificado.

No se debe dejar a los niños solos o desatendidos en el área donde se usa el electrodoméstico. Nunca se debe permitir a los niños sentarse o pararse en ninguna parte del aparato.

No almacene artículos de interés para niños en gabinetes por encima de un rango o en la protección trasera de un rango. Los niños que se suben al campo para alcanzar objetos podrían lesionarse gravemente.

Para eliminar el riesgo de quemaduras o incendios al alcanzar las unidades de superficie calentadas, se debe evitar el espacio de almacenamiento del gabinete ubicado sobre las unidades de superficie. Si se va a proporcionar almacenamiento en el gabinete, el riesgo puede reducirse instalando una campana extractora que se proyecte horizontalmente a un mínimo de 5 pulgadas (12,7 cm) más allá de la parte inferior de los gabinetes.

Las prendas sueltas o colgantes nunca deben usarse mientras se usa el aparato.

Use solo recipientes secos. Los soportes para ollas húmedos o húmedos en superficies calientes pueden provocar quemaduras por el vapor. No permita que el soporte de la olla toque elementos calefactores calientes. No use una toalla u otra tela voluminosa.

Si se pierde energía en una estufa eléctrica mientras un elemento de superficie está ENCENDIDO, el elemento de superficie se volverá a encender tan pronto como se restablezca la energía. En caso de pérdida de potencia, el hecho de no girar todas las perillas de los elementos de la superficie a la posición de APAGADO puede provocar la ignición de los artículos sobre o cerca de la estufa, lo que puede provocar lesiones graves o la muerte.

Para evitar la posibilidad de una quemadura o una descarga eléctrica, asegúrese siempre de que los controles de todos los elementos de la superficie estén en la posición OFF, y que todas las bobinas estén frías antes de intentar levantar o retirar un elemento de cocción de la bobina.

Esta gama está diseñada y fabricada únicamente para cocinar alimentos domésticos (domésticos) y no es adecuada para ninguna aplicación no doméstica y, por lo tanto, no debe utilizarse en un entorno comercial. La garantía del rango será nula si el rango se utiliza dentro de un entorno no doméstico.

#### NO TOQUE LOS ELEMENTOS DE CALEFACCIÓN O ÁREAS CERCA DE ELLOS

Los elementos de calentamiento en la superficie o en el interior del aparato pueden estar calientes aunque sean de color oscuro. Las áreas cercanas a los elementos calefactores pueden calentarse lo suficiente como para causar quemaduras. Durante y después del uso, no toque ni permita que la ropa u otros materiales inflamables entren en contacto con los elementos calefactores o las áreas cercanas hasta que hayan tenido tiempo suficiente para enfriarse. Las superficies del electrodoméstico pueden calentarse lo suficiente como para causar quemaduras, entre ellas están las aberturas de ventilación del horno y las superficies cercanas a estas aberturas, puertas y ventanas del horno.

#### ADVERTENCIA

Para reducir el riesgo de quemaduras, no mueva este aparato mientras esté caliente. Para reducir el riesgo de lesiones debido a la inclinación del electrodoméstico, verifique la reinstalación de este electrodoméstico en el dispositivo antivuelco provisto y bloquee las ruedas después de devolver el electrodoméstico a la posición original instalada.

#### ADVERTENCIA

El fabricante declina toda responsabilidad por lesiones a personas o daños a la propiedad causados por el uso incorrecto o incorrecto de la estufa.

**¡GUARDE ESTAS INSTRUCCIONES!**



## Importantes Instrucciones de Seguridad

### LEA Y SIGA TODAS LAS INSTRUCCIONES DE SEGURIDAD

### REQUISITOS DE SEGURIDAD PARA LA COCINA SUPERIOR

Use el tamaño de sartén adecuado. Este aparato está equipado con cuatro quemadores de diferentes tamaños. Seleccione utensilios que tengan fondos planos lo suficientemente grandes como para cubrir la superficie del elemento calefactor. El uso de utensilios de tamaño insuficiente expondrá una parte del elemento calefactor al contacto directo y puede provocar la ignición de la ropa. La relación adecuada del utensilio con el quemador también mejorará la eficiencia.

Nunca deje el aparato desatendido mientras esté en uso. Si se hierve, se pueden fumar y se pueden encender derrames de grasa.

Nunca deje el aceite desatendido mientras fríe. Si se deja calentar más allá de su punto de ahumado, el aceite se puede encender y provocar un incendio que puede extenderse a los gabinetes circundantes. Use un termómetro de grasa profunda siempre que sea posible para controlar la temperatura del aceite.

Para evitar derrames de aceite y fuego, use una cantidad mínima de aceite cuando fríe en una sartén poco profunda y evite cocinar alimentos congelados con cantidades excesivas de hielo.

Asegúrese de que las bandejas reflectoras o cuencos de goteo estén en su lugar. La ausencia de estos recipientes o tazones durante la cocción puede dañar el cableado o los componentes que se encuentran debajo.

Solo ciertos tipos de vidrio, cerámica, loza u otros utensilios vidriados son adecuados para un servicio de alta gama sin romperse debido a un cambio repentino de temperatura.

Para reducir el riesgo de quemaduras, ignición de materiales inflamables y derrames debido al contacto involuntario, el mango de un utensilio debe colocarse de manera que se gire hacia adentro y no se extienda sobre los quemadores adyacentes.

Los elementos calefactores extraíbles nunca deben sumergirse en agua.

No cocine en la estufa rota. Si la cubierta se rompe, las soluciones de limpieza y los derrames pueden penetrar en la cubierta rota y crear un riesgo de descarga eléctrica. Póngase en contacto con un técnico calificado de inmediato.

### REQUERIMIENTOS DE SEGURIDAD DEL HORNO

Tenga cuidado al abrir la puerta. Deje escapar el aire caliente o el vapor antes de retirar o reemplazar los alimentos.

No caliente recipientes de comida sin abrir. La acumulación de presión puede hacer que el recipiente explote y provocar lesiones.

Mantenga los respiraderos del horno sin obstrucciones.

Coloque siempre las parrillas del horno en el lugar deseado mientras el horno esté frío. Si la parrilla debe moverse mientras el horno está caliente, no permita que el soporte de la olla entre en contacto con el elemento calefactor caliente en el horno.

No use el horno si un elemento calefactor desarrolla un punto brillante durante el uso o muestra otros signos de daño. Un punto brillante indica que el elemento calefactor puede fallar y presentar un riesgo potencial de quemaduras, incendios o descargas eléctricas. Apague el horno inmediatamente y haga que un técnico de servicio calificado reemplace el elemento calefactor.

No forre las paredes del horno, las parrillas o las hornillas con papel de aluminio.

No coloque estantes, sartenes, bandejas de respaldo, bandejas para asar u otros utensilios de cocina en el fondo de la cámara del horno. Siempre colóquelo en la parrilla del horno.

Nunca limpie el horno con dispositivos de limpieza a vapor a alta presión.

No deje nada en la parte superior de la ventilación del horno. Nunca cubra la abertura de ventilación del horno con papel de aluminio o cualquier otro material.

**¡GUARDE ESTAS INSTRUCCIONES!**



## Importantes Instrucciones de Seguridad

### LEA Y SIGA TODAS LAS INSTRUCCIONES DE SEGURIDAD

#### ANTES DE COMENZAR

Desembale cuidadosamente el aparato y asegúrese de que no haya daños en el horno, la cubierta o la estructura y que la puerta del horno se abra y cierre correctamente. Retire todos los materiales de embalaje, como bolsas de plástico, espuma de poliestireno, correas de embalaje, etc. Mantenga los materiales de embalaje fuera del alcance de los niños en todo momento para evitar posibles lesiones graves. La gama ha sido probada exhaustivamente para garantizar un funcionamiento seguro y eficiente. Sin embargo, como con cualquier electrodoméstico, existen precauciones específicas de instalación y seguridad que deben seguirse para garantizar un funcionamiento seguro y satisfactorio.

Guarde estas instrucciones para referencia futura.

La instalación de este aparato requiere habilidades mecánicas básicas y aproximadamente de 1 a 3 horas de tiempo.

La instalación correcta es responsabilidad del instalador. La falla del producto debido a una instalación incorrecta no está cubierta por la garantía.

Antes de comenzar la instalación, apague la alimentación en el panel de servicio y bloquee los medios de desconexión del servicio para evitar que la alimentación se encienda accidentalmente. Si los medios de desconexión del servicio no se pueden bloquear, fije de forma segura un dispositivo de advertencia, como una etiqueta, al panel de servicio.

#### INSTRUCCIONES DE CONEXIÓN A TIERRA

Este aparato debe estar conectado a tierra. La conexión a tierra reduce el riesgo de descarga eléctrica al proporcionar un cable de escape para la corriente eléctrica.

Este electrodoméstico tiene un cable de alimentación que tiene un cable de conexión a tierra con un enchufe de 3 clavijas. El cable de alimentación debe estar enchufado a un tomacorriente que esté debidamente conectado a tierra. Si el tomacorriente es un tomacorriente de pared de 2 clavijas, debe reemplazarse con un tomacorriente de pared de 3 clavijas debidamente conectado a tierra. La placa de características indica el voltaje y la frecuencia para los que está diseñado el aparato.

**ADVERTENCIA** - El uso incorrecto del enchufe de conexión a tierra puede provocar un riesgo de descarga eléctrica. Consulte a un electricista calificado si las instrucciones de conexión a tierra no se entienden completamente o si existen dudas sobre si el aparato está correctamente conectado a tierra.

**No conecte el aparato a cables de extensión, adaptadores o junto con otro aparato en el mismo tomacorriente de pared.**

No empalme el cable de alimentación. Bajo ninguna circunstancia corte ni retire la tercera punta de tierra del cable de alimentación.

Si el cable de alimentación está dañado, debe ser reemplazado por el fabricante, su agente de servicio o una persona calificada similar para evitar riesgos.

**Nota:** Apagar el aparato no lo desconecta de la fuente de alimentación.

Se recomienda que el cable de alimentación y el enchufe se coloquen paralelos al piso para que el cable corra paralelo al piso.

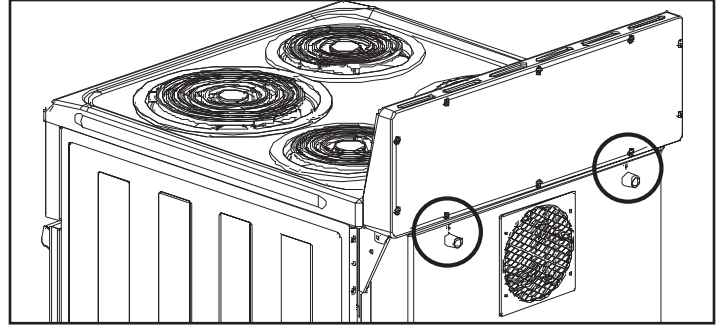
**¡GUARDE ESTAS INSTRUCCIONES!**

# INSTRUCCIONES DE INSTALACIÓN

## INSTALACIÓN DEL RESPALDO

La protección trasera actúa como ventilación de calor para el horno y debe instalarse antes de usar el aparato.

1. Retire los dos tornillos de la parte posterior del aparato.
2. Alinee el protector con los orificios para tornillos y fíjelo al aparato con los tornillos.



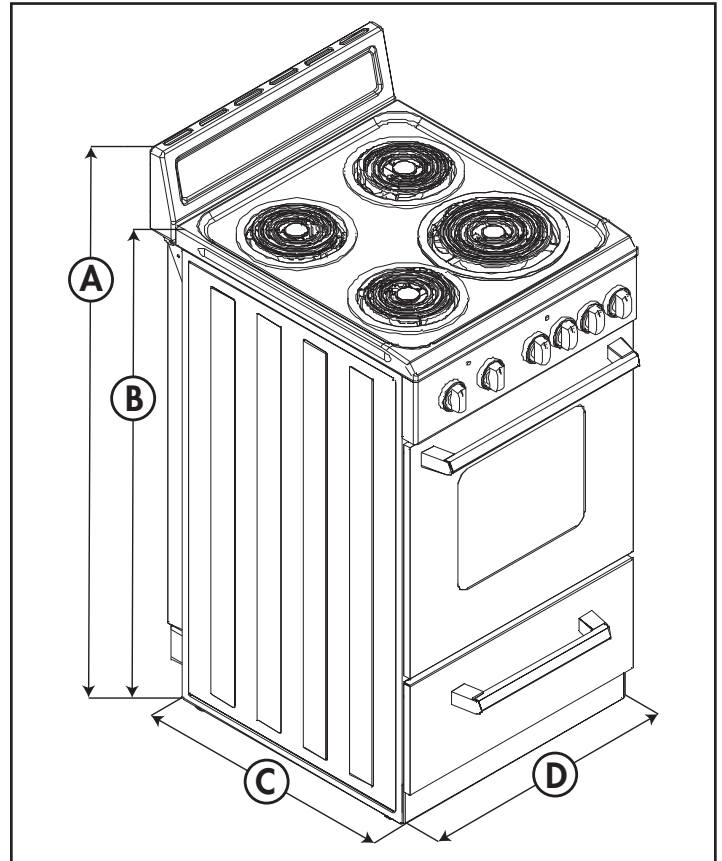
## DIMENSIONES

Estas dimensiones de este aparato son:

- A. 41 pulgadas (104 cm) desde el piso hasta la parte superior del respaldo
- B. 36,2 pulgadas (92 cm) desde el piso hasta la estufa
- C. 25.5 pulgadas (64.8 cm) de profundidad
- D. 23.4 pulgadas (59.5 cm) de ancho

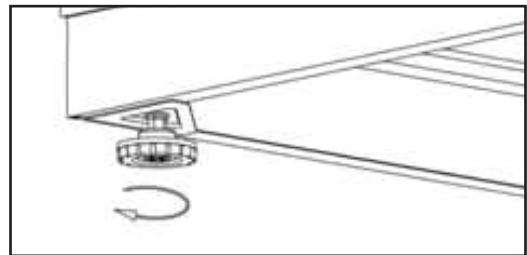
Es responsabilidad del instalador cumplir con las autorizaciones de instalación especificadas en el manual. Se deben usar las dimensiones mínimas de apertura del gabinete y los espacios libres. Los espacios mínimos deben mantenerse entre la superficie de cocción del aparato y la superficie horizontal sobre la estufa.

30 pulgadas (65 cm) es el espacio libre mínimo entre la parte superior de la superficie de cocción y la parte inferior de un gabinete de madera o metal sin protección.



## INSTRUCCIONES DE NIVELACIÓN

El aparato debe estar nivelado para funcionar de manera segura y adecuada. Hay cuatro patas niveladoras ubicadas en las esquinas de la parte inferior del aparato. Ajuste las patas niveladoras hasta que el aparato esté nivelado. Use el nivel de un carpintero para confirmar.



# INSTRUCCIONES DE OPERACIÓN

## CONTROLES DE COCINA SUPERFICIAL

Los elementos de calentamiento de la superficie del aparato están diseñados para una variedad de configuraciones de calor.

En ambas posiciones, HI y LO, hay pequeñas sangrías y la perilla hará clic en su lugar en estas posiciones. HI indica el ajuste más alto. LO indica el ajuste más bajo.

Se puede escuchar un chasquido del aparato durante el uso. Esto es normal e indica que se mantiene el ajuste de calor seleccionado.

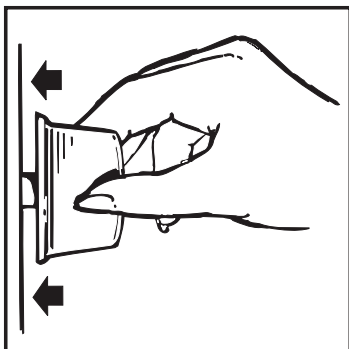
Cambiar a una configuración de calor más alta ocurrirá más rápido que cambiar a una configuración de calor más baja, ya que tomará tiempo para que el calor se disipe.

## AJUSTANDO LOS CONTROLES

1. Empuje la perilla de control hacia adentro.
2. Gire a la temperatura deseada.

La perilla solo necesita ser empujada hacia adentro cuando se mueve fuera de la posición "OFF". Cuando la perilla está en cualquier posición que no sea "OFF", se puede girar sin presionar.

Asegúrese de que el elemento esté apagado cuando termine la cocción. Se encenderá una luz indicadora cuando se encienda cualquier elemento calefactor.

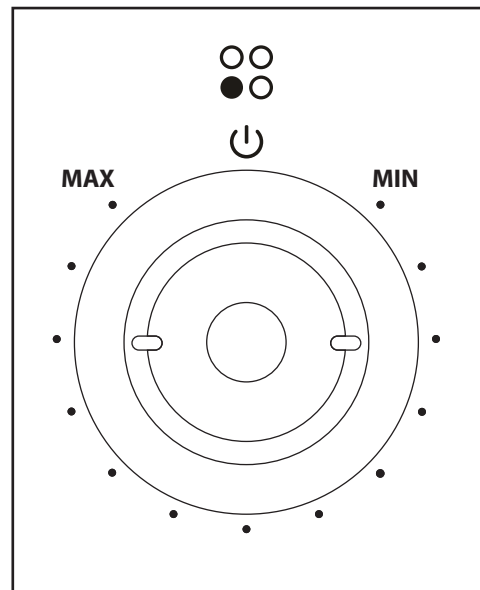


## GUÍA DE AJUSTE DE CALOR

- HI - inicio rápido para cocinar; llevar agua a ebullición
- MEDIO ALTO - Freír rápido; sartén asar; mantener una ebullición rápida en una gran cantidad de comida
- MED - Salteado y marrón; mantener un hervor lento en una gran cantidad de comida
- MEDIO BAJO - Cereal; mantener la temperatura de servicio de la mayoría de los alimentos
- LO - Cocine después de comenzar en HI; cocina con poca agua en una sartén cubierta; utilizar para cocinar arroz al vapor; derretir chocolate o mantequilla

Nunca deje comida desatendida mientras cocina. Los desbordamientos causan fumar. Los derrames de grasa pueden incendiarse.

Tenga en cuenta que el icono sobre la perilla indica qué quemador controla la perilla.



# INSTRUCCIONES DE OPERACIÓN

## CONSEJOS PARA COCINAR EN SUPERFICIE

Use utensilios de cocina medianos o pesados. Los utensilios de cocina de aluminio conducen el calor más rápido que otros metales. Los utensilios de cocina de hierro fundido y hierro fundido recubierto son lentos para absorber el calor, pero generalmente se cocinan de manera uniforme a temperaturas bajas o medias. Las cacerolas de acero pueden cocinar de manera desigual si no se combinan con otros metales.

No sobrecargue los utensilios de cocina con grasa que pueda derramarse al agregar alimentos. Los alimentos helados burbujan vigorosamente. Mira los alimentos que se fríen a altas temperaturas. Mantenga la estufa y la campana limpias de grasa acumulada.

Para conservar la mayor energía de cocción, las sartenes deben ser planas en el fondo, tener lados rectos y tapas ajustadas. Haga coincidir el tamaño de la cacerola con el tamaño del elemento de superficie. Una sartén que se extiende más de una pulgada más allá del borde de la bandeja de goteo atrapa el calor, lo que causa "grietas" (grietas finas) en la porcelana, y decoloración que va del azul al gris oscuro en las bandejas de goteo cromadas.

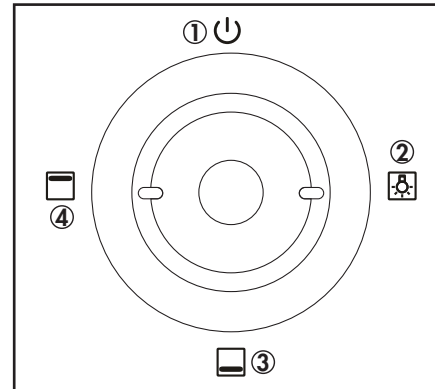
Limpie los elementos derramados con un paño húmedo tan pronto como se enfríen. Asegúrese de que la perilla de control esté en OFF.

Nunca deje una olla vacía o una que haya hervido en seco sobre un elemento de superficie caliente. La olla podría sobrecalentarse y dañar la olla o la superficie del aparato. Asegúrese siempre de que todas las perillas de control estén APAGADAS y que las luces indicadoras estén apagadas cuando el aparato no esté en uso.

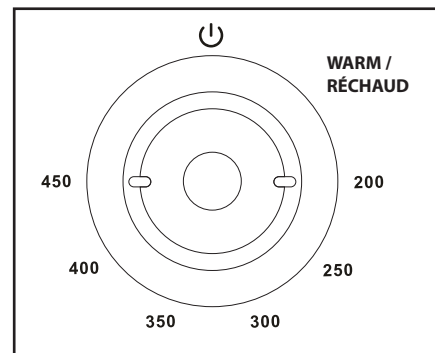
## CONTROLES DE COCINA AL HORNO

El horno tiene tres funciones disponibles que se pueden configurar con la perilla selectora de funciones.

1. OFF
2. Ligero
3. Hornear
4. Asar



La perilla del horno se usa para elegir la temperatura de cocción del horno y está marcada en incrementos de 50 grados, de 200°F a 450°F.



Para usar el horno, gire la perilla selectora de funciones para hornear y gire la perilla de temperatura del horno a la temperatura de cocción deseada.

La luz del horno se ilumina hasta que el horno alcanza la temperatura seleccionada y luego se apaga. Durante la cocción, la luz se encenderá cada vez que el horno necesite agregar más calor para mantener la temperatura seleccionada.

# INSTRUCCIONES DE OPERACIÓN

## HORNEADO Y ASADO

1. Coloque los estantes en el horno. Si cocina en dos estantes al mismo tiempo, escalone las sartenes para obtener la mejor circulación de calor.
2. Cierra la puerta del horno. Gire la perilla selectora de funciones para hornear. Gire la perilla de temperatura del horno a la temperatura deseada.
3. Deje que el horno se precaliente si es necesario.
4. Coloque la comida en el centro del estante del horno. Deje al menos 2 pulgadas entre el extremo de la sartén y la pared del horno o cualquier sartén adyacente.
5. Revise la comida regularmente. Retire una vez hecho y asegúrese de que el horno esté apagado.

## CONSEJOS PARA HORNEAR Y ASAR

- Siga una receta probada y mida los ingredientes con cuidado. Si está utilizando una mezcla de paquete, siga las instrucciones de la etiqueta.
- No abra la puerta del horno mientras hornea o asa. Se perderá calor y es posible que sea necesario extender el tiempo de cocción. Si debe abrir la puerta, ábrala parcialmente y ciérrela lo más rápido posible.
- Asar es cocinar con calor seco. Las carnes o aves tiernas se pueden asar sin cubrir. Las temperaturas de tostado, que deben ser bajas y constantes, mantienen las salpicaduras al mínimo. Al asar, no es necesario dorar, rociar, cubrir o agregar agua a la carne.
- Los asados de carne congelados se pueden cocinar sin descongelar, pero permita de 10 a 25 minutos de tiempo adicional por libra de carne (10 minutos por libra para asados de menos de 5 libras, más tiempo para asados más grandes).
- Descongele las aves congeladas antes de asarlas para garantizar una cocción uniforme. Algunas aves congeladas comerciales se pueden cocinar con éxito sin descongelar. Siga las instrucciones dadas en la etiqueta del paquete.

## HORNO A LA PARRILLA

Asar a la parrilla implica cocinar alimentos mediante un intenso calor radiante del elemento superior del horno. La mayoría de los pescados y cortes tiernos de carne se pueden asar. Siga estos pasos para mantener las salpicaduras y fumar al mínimo.

1. Si la carne tiene grasa o cartilago alrededor del borde, corte las barras verticales a lo largo de aproximadamente 2 "de distancia. Si lo desea, puede recortar la grasa, dejando una capa de aproximadamente 1/8 "de espesor.
2. Coloque la carne en una parrilla para asar en una asadera diseñada para asar. Siempre use la rejilla para que la grasa gotee en la asadera; de lo contrario, los jugos pueden calentarse lo suficiente como para incendiarse.
3. Coloque el estante en una de las dos primeras posiciones para la mayoría de los asados.
4. Coloque la comida en el horno y cierre la puerta. Ase siempre con la puerta cerrada.
5. Gire la perilla selectora de funciones del horno a BROIL.
6. Gire la perilla de temperatura del horno a la temperatura de cocción deseada.
7. Los alimentos se pueden voltear durante el asado si es necesario. Tenga cuidado con el aire caliente o el vapor cuando abra la puerta del horno.
8. Asegúrese de girar la perilla de temperatura del horno a APAGADO una vez que se complete el asado.

## CONSEJOS PARA ASAR

- Si lo desea, marine las carnes o el pollo antes de asarlos o unte con salsa de barbacoa en los últimos 5 a 10 minutos de cocción.
- Al colocar los alimentos en una sartén, no permita que los bordes grasos cuelguen de los costados, ya que la grasa que gotea ensuciará el horno mientras se cocina.

# INSTRUCCIONES DE OPERACIÓN

## ESTANTES DEL HORNO

Los estantes del horno están diseñados con topes para que cuando se coloquen correctamente en los soportes del estante, se detengan antes de salir completamente del horno y no se inclinen cuando se retiren o agreguen alimentos.

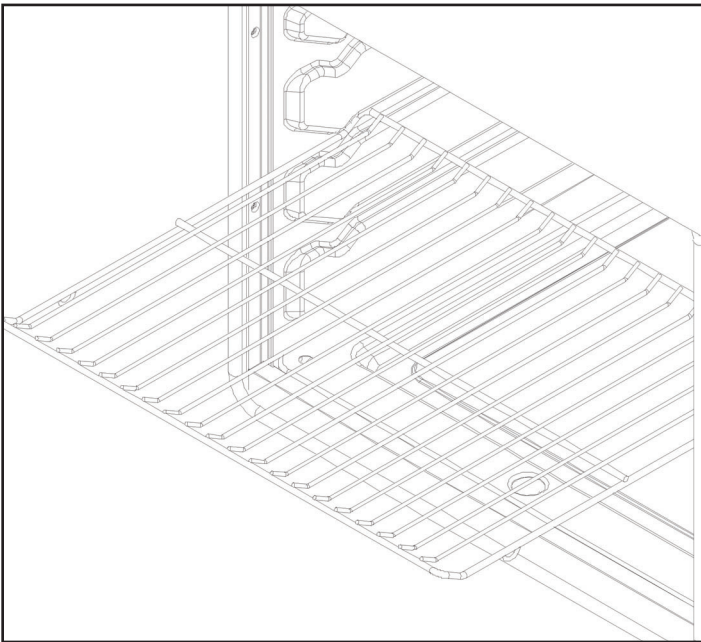
Para retirar los estantes del horno, tire del estante hacia afuera, incline el extremo frontal hacia arriba y extráigalo.

Para reemplazar los estantes, coloque el estante en el soporte con los topes hacia arriba y hacia la parte posterior del horno. Incline hacia arriba el frente y empuje el estante hacia la parte posterior del horno hasta que pase la protuberancia en el soporte del estante, luego baje el frente del estante y empújelo hasta el fondo.

El horno tiene cuatro posiciones de soporte de estante diferentes para adaptarse a los diferentes requisitos de cocción.

## POSICIONES DE ESTANTE

- La mayor parte de la cocción se realiza en la segunda o tercera posición del estante desde la parte inferior del horno.
- Cuando hornee varios artículos, use dos estantes colocados en el segundo y cuarto soportes del estante desde la parte inferior del horno.
- Hornee pasteles de ángel en la primera posición del estante desde la parte inferior del horno.
- El asado generalmente se realiza en la posición inferior del estante.
- Si es necesario precalentar, observe la luz del horno y coloque los alimentos en el horno una vez que se apague la luz. La luz del horno se encenderá y apagará con el termostato del horno a medida que avanza para mantener una temperatura uniforme.



### Conversiones de temperatura

Fahrenheit	140	150	170	200	250	275	300	325	350	375	400	425	450	475	500	525	550
Celsius	60	65	75	95	120	135	150	160	175	190	205	220	230	245	260	275	290

# INSTRUCCIONES DE OPERACIÓN

## ELEMENTOS DE SUPERFICIE

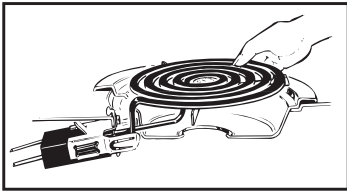
Para limpiar los elementos de calentamiento de la superficie, gire la perilla de control de temperatura a la configuración más alta durante un minuto; esto quemará cualquier residuo de comida. Tenga en cuenta que esto podría causar humo, es aconsejable abrir una ventana o encender un ventilador para evitar la formación de humo.

No sumerja los elementos calefactores en líquidos de ningún tipo. No coloque elementos calefactores en el lavavajillas.

Para quitar las bandejas de goteo para la limpieza, primero quite los elementos de calentamiento. Asegúrese de que los elementos estén fríos antes de tocarlos.

Levante el elemento aproximadamente 1" por encima de la bandeja de goteo y tire para extraerlo. No levante el elemento más de 1" ya que esto puede doblar los componentes internos y el elemento puede no quedar plano cuando se lo reemplaza.

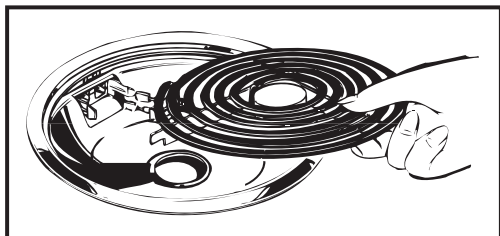
Retire la bandeja de goteo y limpie según sea necesario. Las bandejas de goteo se pueden limpiar en el lavavajillas o a mano.



Una vez que se haya completado la limpieza, vuelva a colocar la bandeja de goteo en el hueco de la parte superior de la cocina. Asegúrese de que la abertura en la bandeja se alinee con el receptáculo.

Inserte los terminales en el elemento de calentamiento a través de la abertura en la bandeja de goteo y en el receptáculo. Guíe el elemento en su lugar suavemente para que descansa uniformemente.

No intente limpiar, ajustar o reparar los receptáculos de ninguna manera.



## LIMPIEZA

### Tapa de cocina de esmalte de porcelana

El acabado de esmalte de porcelana en la parte superior de la cocina es resistente, pero se puede dañar si se utiliza incorrectamente. No se debe permitir que ningún alimento ácido como jugos de fruta, tomate o vinagre permanezca en el acabado por un período de tiempo prolongado.

### Levante la tapa del cocinero

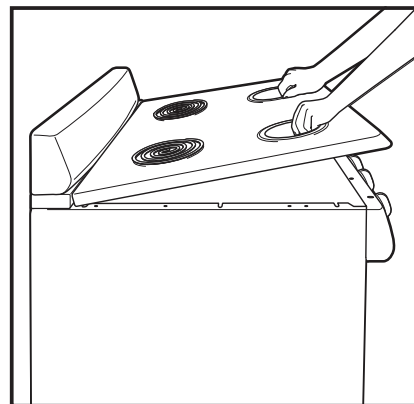
La parte superior de la cocina se puede levantar para que el área debajo se pueda limpiar. Los derrames que sobrepasen el flujo de las bandejas de goteo, especialmente la grasa, deben limpiarse para evitar la acumulación y posible tabaquismo o ignición.

Asegúrese de que los elementos de calentamiento estén apagados y frescos antes de levantar la superficie de cocción.

Retire los elementos de calentamiento y las bandejas de goteo.

Levante la parte superior de la cocina y ábrala con la varilla interna para facilitar la limpieza. Esta área se puede limpiar con agua caliente jabonosa y un paño limpio.

Una vez completado, vuelva a colocar la varilla de soporte interna en su posición inicial y baje la tapa de cocción hasta que encaje en su posición. Tenga cuidado de no pellizcarse los dedos. Reemplace las bandejas de goteo y los elementos de calentamiento.



## CUIDADO Y MANTENIMIENTO

### Interior del horno de porcelana

Con el cuidado adecuado, el interior de esmalte de porcelana conservará su acabado por muchos años.

Se puede usar jabón y agua para limpiar el interior. Las salpicaduras o derrames intensos pueden requerir limpieza con un limpiador abrasivo suave.

No permita que los derrames con alto contenido de ácido, como leche, tomates, jugos de frutas o relleno de pastel, permanezcan en la superficie. Pueden causar manchas opacas incluso después de la limpieza.

El amoníaco doméstico puede facilitar la limpieza. Coloque 1/2 taza de amoníaco en un recipiente de vidrio poco profundo y déjelo en un horno frío durante la noche. Los humos de amoníaco ayudarán a aflojar la grasa y los alimentos quemados.

### Precauciones sobre el uso de limpiadores de horno rociadores

No rocíe el limpiador del horno sobre los controles eléctricos y los interruptores ya que podría provocar un cortocircuito y provocar chispas o incendios.

No rocíe el limpiador del horno directamente sobre los elementos calefactores del horno.

No permita que una película del limpiador del horno permanezca en el sensor de temperatura, ya que podría causar que el horno se caliente de manera incorrecta. El sensor está ubicado en la parte superior del horno. Limpie cuidadosamente la bombilla después de cada limpieza del horno, teniendo cuidado de no mover el sensor, ya que un cambio en su posición podría afectar la forma en que hornea el horno.

No rocíe el limpiador del horno en la parte exterior de la puerta del horno, las manijas o cualquier superficie exterior del horno, el gabinete o las superficies pintadas. El limpiador puede dañar estas superficies.

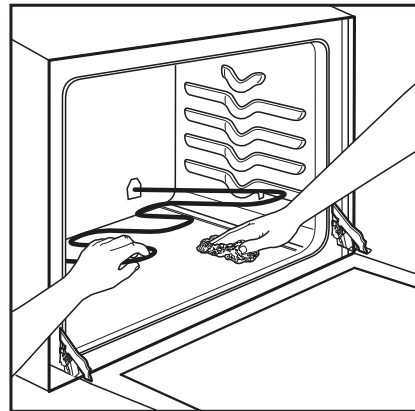
### Estantes del horno

Limpie los estantes con un limpiador abrasivo o lana de acero. Después de la limpieza, enjuague los estantes con agua limpia y seque con un paño limpio.

### Elementos de calentamiento del horno

No limpie el elemento de horneado o el elemento de asar. Cualquier residuo de comida se quemará cuando los elementos se calienten.

El elemento de horneado se puede levantar suavemente para limpiar el piso del horno. Asegúrese de que el elemento esté frío antes de limpiarlo.



### Perillas de control

Las perillas de control se pueden quitar para facilitar la limpieza. Asegúrese de que las perillas estén en la posición "OFF" (apagado) y luego retírelas de los tallos para limpiarlas.

Las perillas se pueden limpiar en el lavavajillas o a mano. Asegúrese de que el interior de las perillas esté seco antes de volver a colocarlo en el aparato.

### Superficies pintadas

Las superficies pintadas incluyen los lados, el panel de control, la puerta y la placa de apoyo. Límpielos con agua y jabón o con una solución de vinagre y agua.

No use limpiadores comerciales para hornos, polvos limpiadores, lana de acero o abrasivos fuertes sobre cualquier superficie pintada.

## CUIDADO Y MANTENIMIENTO

### PUERTA DE HORNO EXTRAÍBLE

La puerta del horno es extraíble pero es pesada. Se recomienda que al menos dos personas trabajen juntas para eliminarlo.

#### Para quitar la puerta:

1. Abra la puerta a la posición completamente abierta.
2. Tire de los bloqueos de la bisagra hacia arriba sobre los ganchos de la bisagra en ambos lados.
3. Sujete firmemente la puerta por ambos lados, levántela levemente y tire de ella hacia afuera y lejos del horno.

#### Para reemplazar la puerta:

1. Sujete firmemente ambos lados de la puerta en la parte superior.
2. Inserte y coloque los brazos de la bisagra superior e inferior en las ranuras del horno.
3. Empuje los cierres de la bisagra hacia abajo desde los ganchos de la bisagra.
4. Cierre la puerta del horno y asegúrese de que esté funcionando correctamente. Si parece desigual o no se cierra completamente, quítelo de nuevo y repita los pasos para reemplazarlo.

**Nota:** No intente cerrar la puerta hasta que esté instalada correctamente. Las bisagras podrían dañarse.

### CAJÓN DE ALMACENAMIENTO DESMONTABLE

Para limpiar el cajón de almacenamiento inferior, extráigalo hasta que no se pueda jalar más y luego levántelo.

Para reemplazar el cajón de almacenamiento en el aparato, coloque el estante en los rieles laterales y empuje hacia adentro.

### REEMPLAZO DE LUZ DEL HORNO

**Importante:** Antes de reemplazar la bombilla del horno, asegúrese de que la energía eléctrica esté desconectada del aparato. De lo contrario, se pueden producir descargas eléctricas o quemaduras.

Asegúrese de dejar que la cubierta de la luz y la bombilla se enfríen completamente antes de reemplazarlas.

Quitar la puerta del horno puede facilitar este proceso.

#### Para reemplazar la bombilla:

1. Retire la cubierta protectora de la luz. No quite ningún tornillo para quitar la cubierta de la luz.
2. No toque la bombilla con un paño húmedo. Reemplace la bombilla con una bombilla de electrodomésticos adecuada para altas temperaturas y que tenga las mismas especificaciones: 240V, 60Hz, 15W, E14.
3. Vuelva a colocar la cubierta protectora.

### VENTANA DE LA PUERTA DE CRISTAL

Para limpiar el exterior de la ventana de la puerta de vidrio, use un limpiacristales. Enjuague y pule con un paño seco.

Evite rayar o impactar la ventana de vidrio. Hacerlo puede hacer que el vidrio se rompa.

## SOLUCIÓN DE PROBLEMAS

Danby cuidado del consumidor: 1-800-263-2629

### Horas de operación:

Lunes a Jueves 8:30 am - 6:00 pm Hora estándar del este

Viernes 8:30 am - 4:00 pm Hora estándar del este

La información de este manual está sujeta a cambios sin previo aviso.

PROBLEMA	CAUSA POSIBLE
<b>Ninguna energía</b>	<ul style="list-style-type: none"><li>• Se puede fundir un fusible o se disparó el disyuntor</li><li>• El enchufe no está completamente insertado en el tomacorriente de la pared</li></ul>
<b>Los elementos de la superficie no funcionan correctamente</b>	<ul style="list-style-type: none"><li>• Los elementos no están instalados correctamente</li><li>• Los controles no están configurados correctamente</li><li>• Las bandejas de goteo no están fijadas de forma segura en la parte superior de la cocina</li></ul>
<b>La comida no se asa bien</b>	<ul style="list-style-type: none"><li>• La temperatura del horno no está ajustada correctamente</li><li>• La posición del estante es demasiado baja</li><li>• Los utensilios de cocina no son adecuados para asar</li><li>• Se está utilizando papel de aluminio y está bloqueando el flujo de aire</li></ul>
<b>La comida no se hornea o asa adecuadamente</b>	<ul style="list-style-type: none"><li>• La temperatura del horno no está ajustada correctamente</li><li>• La posición del estante es incorrecta</li><li>• El horno no fue precalentado</li><li>• Los utensilios de cocina no son adecuados para hornear o asar</li></ul>
<b>La luz del horno no funciona</b>	<ul style="list-style-type: none"><li>• La bombilla está suelta</li><li>• El interruptor de luz no funciona correctamente</li></ul>

## GARANTÍA LIMITADA "A DOMICILIO"

Este producto de calidad está garantizado contra defectos de fabricación, incluyendo partes y mano de obra, siempre y cuando la unidad se utilice bajo las condiciones normales de funcionamiento para las que fue diseñado. Esta garantía está solamente disponible para la persona que haya comprado originalmente esta unidad directamente de Danby Products Limited (Canada) o Danby Products Inc. (U.S.A.) (en adelante "Danby") o uno de sus distribuidores autorizados, y no es transferible.

### CONDICIONES DE LA GARANTÍA

Las piezas plásticas, se autorizan por treinta (30) días solamente a partir de la fecha de la compra, sin las extensiones proporcionadas.

**Primeros 12 meses** Durante los primeros **doce (12) meses**, cualquier parte en buen estado de este producto que resulte defectuosa, incluyendo cualquier sistema sellado, será reparado o reemplazado, a opción del fabricante, sin cargo para el comprador ORIGINAL.

**Para obtener servicio** Comuníquese con el distribuidor donde haya comprado la unidad, o llame al Taller de Servicio Autorizado más cercano, donde debe ser reparada por un técnico calificado. Si esta unidad es reparada en otro lugar que no sea un Taller de Servicio Autorizado, o si la unidad se utiliza para aplicaciones comerciales, Danby no se hará responsable de ninguna forma y la garantía será anulada.

**Límites del servicio técnico a domicilio** Danby se reserva el derecho de limitar la cobertura de "Servicio en Domicilio" sujeto a la proximidad de un **Taller de Servicio Autorizado**. Para todo artefacto que requiera servicio fuera del área limitada de "Servicio en Domicilio", el cliente será responsable por transportar dicho artefacto hasta el Taller de Servicio Autorizado más cercano. Si el electrodoméstico está instalado en un lugar que se encuentra a **100 kilómetros (62 millas)** o más del centro de servicios más cercano, se debe llevar la unidad al Centro de servicios Danby autorizado más cercano, ya que dicho servicio sólo puede realizarlo un técnico calificado y certificado por Danby para prestar servicios de garantía.

Los cargos por transporte desde y hacia el lugar en que se efectúe el servicio técnico no están cubiertos por esta garantía y son de responsabilidad del comprador.

Nada dentro de esta garantía implica que Danby será responsable por cualquier daño que hayan sufrido los alimentos u otros contenidos de este aparato, ya sea debido a un defecto del aparato, o su uso, adecuado o inadecuado.

### EXCLUSIONES

Salvo lo aquí indicado por Danby, no existen otras garantías, condiciones o representaciones, explícitas o implícitas, concretas o intencionales por parte de Danby o sus distribuidores autorizados y todas las demás garantías, condiciones o representaciones, incluyendo cualquier garantía, condiciones o representaciones bajo cualquier Acta de Venta de Productos o legislación o estatuto similar, quedan de esta forma expresamente excluidas. **Salvo lo aquí indicado, Danby no serán responsables por ningún daño a personas o bienes, incluyendo la propia unidad, sin importar su causa, o de ningún daño indirecto causado por el desperfecto de la unidad, y al comprar esta unidad, el comprador acepta por la presente, indemnizar y proteger a Danby contra cualquier reclamo por daños a personas o bienes causados por la unidad.**

### CONDICIONES GENERALES

No se considerará ninguna de estas garantías o seguros cuando el daño o la necesidad de reparación sea el producto de los siguientes casos:

- 1) Falla del suministro eléctrico.
- 2) Daños en tránsito o durante el transporte de la unidad.
- 3) Alimentación incorrecta, como bajo voltaje, instalación eléctrica defectuosa o fusibles inadecuados.
- 4) Accidente, modificación, abuso o uso incorrecto del artefacto, tal como insuficiente ventilación del ambiente o condiciones de operación anormales (temperatura ambiente extremadamente alta o baja).
- 5) Utilización comercial o industrial (v.g., si el electrodoméstico no está instalado en una vivienda particular).
- 6) Incendio, daños por agua, robo, guerra, disturbios, hostilidades, actos de fuerza mayor como huracanes, inundaciones, etc.
- 7) Pedidos de servicio debido a desinformación del usuario.
- 8) Instalación inadecuada (v.g., instalación empotrada de un electrodoméstico diseñado como unidad independiente o uso de un electrodoméstico al aire libre que no esté aprobado para dicho fin, incluyendo pero no limitado a: garajes, patios, porches o en cualquier lugar que no esté bien aislado o controlado por el clima).

Se requerirá una prueba de la fecha de compra para reclamaciones de garantía; Retener las facturas de venta. En el caso de que se requiera servicio de garantía, presente el comprobante de compra a nuestro depósito de servicio autorizado.

**Servicio de Garantía**  
Servicio en Domicilio

Danby Products Limited  
PO Box 1778, Guelph, Ontario, Canada N1H 6Z9  
Telephone: (519) 837-0920 FAX: (519) 837-0449

**1-800-263-2629**  
04/17

Danby Products Inc.  
PO Box 669, Findlay, Ohio, U.S.A. 45840  
Telephone: (419) 425-8627 FAX: (419) 425-8629







---

**MODEL • MODÈLE • MODELO**

DERM240WC  
DERM240BC  
DERM240BSSC