



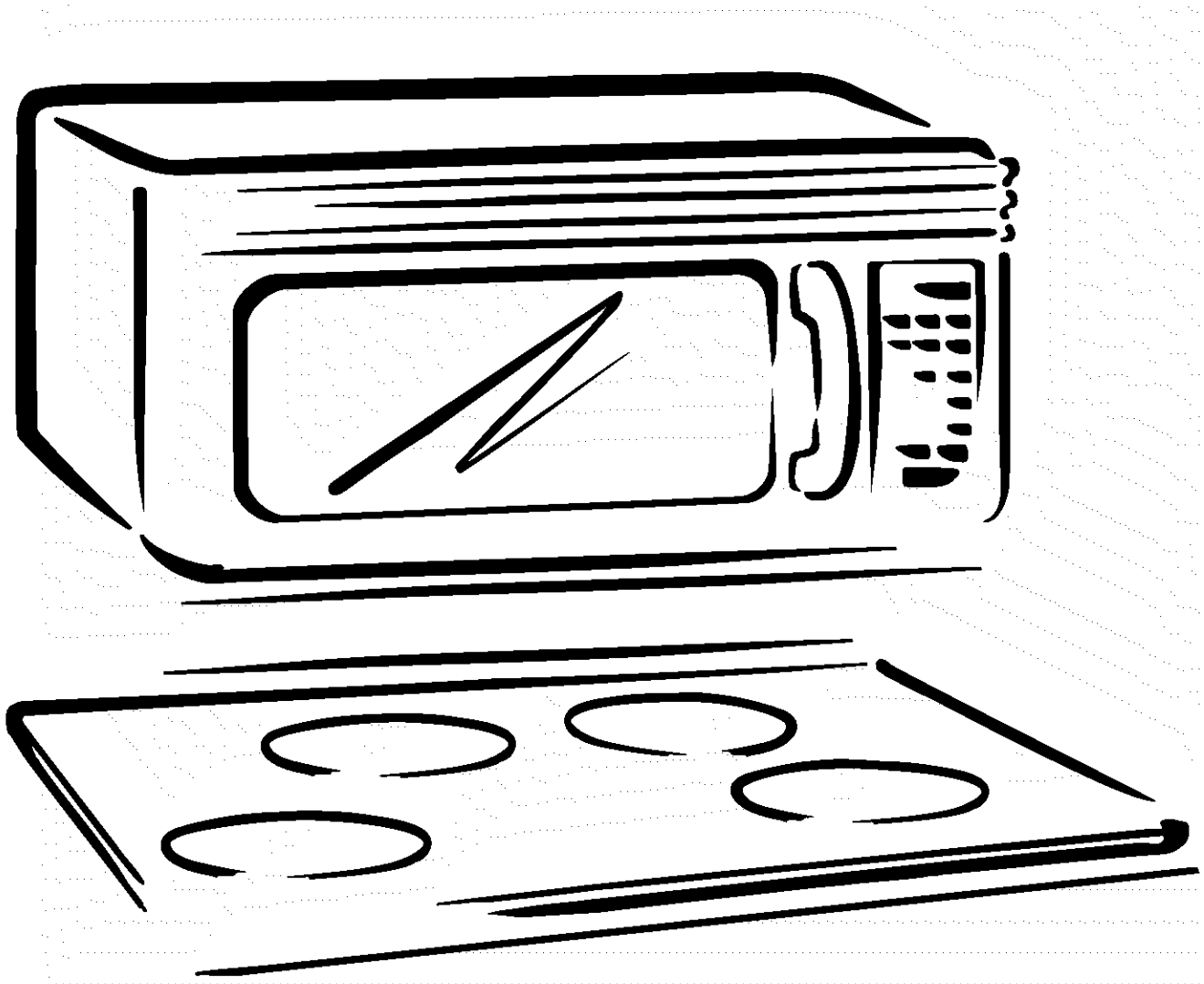
Microwave Hood Combination

Use & Care Guide

Combinación Microondas Campana

Guía de uso y cuidado

Models/Modelos 665.61701
665.61709



ENGLISH ESPAÑOL

Table of Contents

Warranty.....	2
Sears Service	3
Microwave Oven Safety	4
Installation Instructions.....	7
Getting to Know Your Microwave Oven	8
How your microwave oven works	8
Radio interference	8
Testing your microwave oven.....	8
Testing your dinnerware or cookware	9
Operating tips.....	9
Electrical connection	9
Microwave oven features	10
Control panel features.....	11
Using the exhaust fan	13
Using the cooktop/countertop light	13
Setting the clock	14
Changing preset cooking times	15
Using Your Microwave Oven	16
Cooking at high cook power.....	16
Cooking at different cook powers.....	17
Cooking in stages	19
Using AUTO COOK	21
Using AUTO REHEAT	22
Using AUTO DEFROST	23
AUTO DEFROST chart.....	24
Defrosting tips	25
Using POPCORN	26
Caring for Your Microwave Oven	27
Installing and caring for filters.....	28
Replacing the cooktop and oven lights	29
Cooking Guide	30
Questions and Answers	32
Troubleshooting	33
Index.....	35
Service	Back Cover

Microwave Oven Warranty

FULL ONE-YEAR WARRANTY ON MICROWAVE OVEN

For one year from the date of purchase, if this Kenmore Microwave Oven fails due to a defect in material or workmanship, Sears will repair it free of charge.

FULL FIVE-YEAR WARRANTY ON THE MAGNETRON

For five years from the date of purchase, if the magnetron in this Kenmore Microwave Oven fails due to a defect in material or workmanship, Sears will repair it free of charge.

The above warranty coverage applies only to Microwave Ovens which are used for private household purposes.

WARRANTY SERVICE IS AVAILABLE BY SIMPLY CONTACTING THE NEAREST SEARS STORE OR SERVICE CENTER IN THE UNITED STATES.

This warranty applies only while this product is in use in the United States.

This warranty gives you specific legal rights, and you may also have other rights which vary from state to state.

**Sears, Roebuck and Co.,
Dept. 817WA,
Hoffman Estates, IL 60179**

**For service call:
1-800-4-MY-HOME®
(1-800-469-4663)**

Please record your model's information.

Whenever you call to request service for your appliance, you need to know your complete model number and serial number. You can find this information on the model and serial number label/plate (see "Microwave oven features" in the "Getting to Know Your Microwave Oven" section). Also, record the other information shown below.

Model Number _____

Serial Number _____

Purchase Date _____

Sears Service

“We service what we sell”

Your purchase has added value because you can depend on Sears HomeCentral®, for service. With over 12,000 trained repair specialists and access to over 4.2 million parts and accessories, we have the tools, parts, knowledge and skills to ensure our pledge: We Service What We Sell.

Sears Maintenance Agreements

Your Kenmore appliance is designed, manufactured and tested to provide years of dependable operation. Yet any major appliance may require service from time to time. The Sears Maintenance Agreement offers you an outstanding service program, affordably priced.

The Sears Maintenance Agreement

- Is your way to buy tomorrow's service at today's price.
- Eliminates repair bills resulting from normal wear and tear.
- Provides for non-technical and instructional assistance.
- Even if you don't need repairs, provides an annual Preventive Maintenance Check, at your request, to ensure that your appliance is in proper running condition.

Some limitations apply. For more information, call 1-800-827-6655

Here's a comparative Warranty and Maintenance Agreement chart showing you the benefits of Sears Microwave Oven Service.

YEARS OF OWNERSHIP COVERAGE	1ST YR.	2ND YR. THRU 5TH YR.
Replacement of defective parts other than magnetron	W	MA
Replacement of magnetron	W	W
Annual preventative maintenance check at your request	MA	MA

W – WARRANTY

MA – MAINTENANCE AGREEMENT

Contact your Sears salesperson or local Sears Service Center today and purchase a Sears Maintenance Agreement.

Keep this book and the sales slip together for future reference.

Microwave Oven Safety

Your safety and the safety of others are very important.

We have provided many important safety messages in this manual and on your appliance. Always read and obey all safety messages.



This is the safety alert symbol.

This symbol alerts you to potential hazards that can kill or hurt you and others.

All safety messages will follow the safety alert symbol and either the word "DANGER" or "WARNING." These words mean:

⚠ DANGER

You can be killed or seriously injured if you don't immediately follow instructions.

⚠ WARNING

You can be killed or seriously injured if you don't follow instructions.

All safety messages will tell you what the potential hazard is, tell you how to reduce the chance of injury, and tell you what can happen if the instructions are not followed.

IMPORTANT SAFETY INSTRUCTIONS

When using electrical appliances basic safety precautions should be followed, including the following:

WARNING: To reduce the risk of burns, electric shock, fire, injury to persons, or exposure to excessive microwave energy:

- Read all instructions before using the microwave oven.
- Read and follow the specific "PRECAUTIONS TO AVOID POSSIBLE EXPOSURE TO EXCESSIVE MICROWAVE ENERGY" found in this section.
- The microwave oven must be grounded. Connect only to properly grounded outlet. See "GROUNDING INSTRUCTIONS" found in this section and in the provided installation instructions.
- Install or locate the microwave oven only in accordance with the provided Installation Instructions.
- Some products such as whole eggs in the shell and sealed containers – for example, closed glass jars – may explode and should not be heated in the microwave oven.
- Use the microwave oven only for its intended use as described in this manual. Do not use corrosive chemicals or vapors in the microwave oven. This type of oven is specifically designed to heat, cook, or dry food. It is not designed for industrial or laboratory use.
- As with any appliance, close supervision is necessary when used by children.
- Do not operate the microwave oven if it has a damaged cord or plug, if it is not working properly, or if it has been damaged or dropped.
- The microwave oven should be serviced only by qualified service personnel. Call an authorized service company for examination, repair, or adjustment.
- See door surface cleaning instructions in the "Caring for Your Microwave Oven" section.
- To reduce the risk of fire in the oven cavity:
 - Do not overcook food. Carefully attend the microwave oven if paper, plastic, or other combustible materials are placed inside the oven to facilitate cooking.
 - Remove wire twist-ties from paper or plastic bags before placing bags in oven.
 - If materials inside the oven should ignite, keep oven door closed, turn oven off, and disconnect the power cord, or shut off power at the fuse or circuit breaker panel.
 - Do not use the cavity for storage purposes. Do not leave paper products, cooking utensils, or food in the cavity when not in use.
- Suitable for use above both gas and electric cooking equipment.

SAVE THESE INSTRUCTIONS

IMPORTANT SAFETY INSTRUCTIONS

- Intended to be used above ranges with maximum width of 36 inches.
- Clean Ventilating Hoods Frequently - Grease should not be allowed to accumulate on hood or filter.
- Oversized foods or oversized metal utensils should not be inserted in the microwave oven as they may create a fire or risk of electric shock.
- Do not clean with metal scouring pads. Pieces can burn off the pad and touch electrical parts involving a risk of electric shock.
- Do not use paper products when appliance is operated in the "PAN BROWN" mode.
- Do not store any materials other than manufacturer's recommended accessories in this oven when not in use.
- Do not store anything directly on top of the microwave oven when the microwave oven is in operation.
- When flaming foods under the hood, turn the fan on.
- Use care when cleaning the vent-hood filter. Corrosive cleaning agents, such as lye-based oven cleaners, may damage the filter.
- Do not cover or block any openings on the microwave oven.
- Do not store this microwave oven outdoors. Do not use the microwave oven near water – for example, near a kitchen sink, in a wet basement, or near a swimming pool, and the like.
- Do not immerse cord or plug in water.
- Keep cord away from heated surfaces.
- Do not let cord hang over edge of table or counter.
- Do not mount over a sink.
- Do not cover racks or any other part of the oven with metal foil. This will cause overheating of the oven.

SAVE THESE INSTRUCTIONS

PRECAUTIONS TO AVOID POSSIBLE EXPOSURE TO EXCESSIVE MICROWAVE ENERGY

- (a) Do not attempt to operate this oven with the door open since open-door operation can result in harmful exposure to microwave energy. It is important not to defeat or tamper with the safety interlocks.
- (b) Do not place any object between the oven front face and the door or allow soil or cleaner residue to accumulate on sealing surfaces.
- (c) Do not operate the oven if it is damaged. It is particularly important that the oven door close properly and that there is no damage to the:
 - (1) Door (bent),
 - (2) Hinges and latches (broken or loosened),
 - (3) Door seals and sealing surfaces.
- (d) The oven should not be adjusted or repaired by anyone except properly qualified service personnel.

ELECTRICAL REQUIREMENTS

Observe all governing codes and ordinances. A 120 Volt, 60 Hz, AC only, 15- or 20-amp fused electrical supply is required. (A time-delay fuse or circuit breaker is recommended.) It is recommended that a separate circuit serving only this appliance be provided.

⚠ WARNING



Electrical Shock Hazard

Plug into a grounded 3 prong outlet.

Do not remove ground prong.

Do not use an adapter.

Do not use an extension cord.

Failure to follow these instructions can result in death, fire, or electrical shock.

GROUNDING INSTRUCTIONS

• **For all cord connected appliances:**

The microwave oven must be grounded. In the event of an electrical short circuit, grounding reduces the risk of electric shock by providing an escape wire for the electric current. The microwave oven is equipped with a cord having a grounding wire with a grounding plug. The plug must be plugged into an outlet that is properly installed and grounded.

WARNING: Improper use of the grounding plug can result in a risk of electric shock.

Consult a qualified electrician or serviceman if the grounding instructions are not completely understood, or if doubt exists as to whether the microwave oven is properly grounded.

Do not use an extension cord. If the power supply cord is too short, have a qualified electrician or serviceman install an outlet near the microwave oven.

• **For a permanently connected appliance:**

The microwave oven must be connected to a grounded, metallic, permanent wiring system, or an equipment grounding conductor should be run with the circuit conductors and connected to the equipment grounding terminal or lead on the microwave oven.

SAVE THESE INSTRUCTIONS

Installation Instructions

REMOVING AND REPLACING THE MICROWAVE HOOD COMBINATION

⚠ WARNING

Excessive Weight Hazard

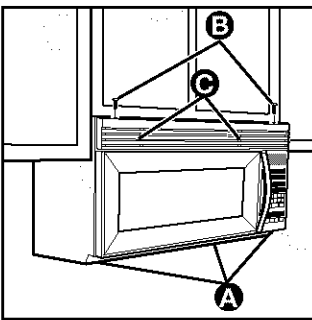
Use two or more people to move and install microwave oven.

Failure to do so can result in back or other injury.

If you need to remove your Microwave Hood Combination for any reason, follow these simple steps:

To remove:

1. Unplug microwave oven or disconnect power.
2. Remove filters and vent grille.

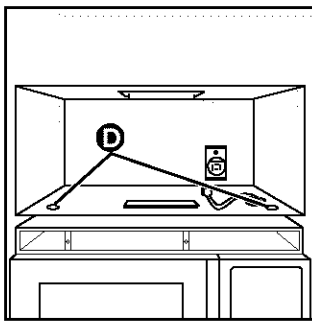


- If filters **A** are installed, push in at the tab and slide filter to the outside edge to remove.

- Remove the two screws **B** from the top of the microwave oven cabinet (the screws located closest to the front corners). Do not remove the screws located towards the center of the cabinet.

- Remove the vent grille **C**. Set the screws and grille aside.

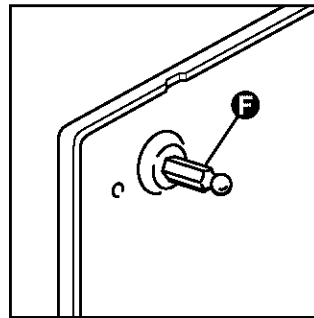
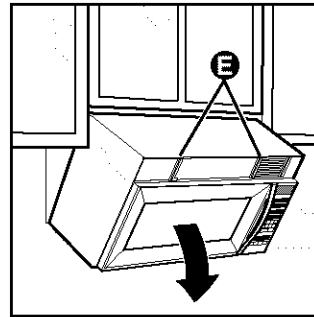
3. After removing all oven contents, including the turntable and support, tape the door in the closed position. Then remove the two screws **D** securing the microwave oven to the upper cabinet.



To replace:

1. Carefully lift microwave oven and hang it on the support tabs at the bottom of the mounting plate.
2. Rotate the front of the microwave oven cabinet downward. Thread the power supply cord through the power supply cord hole in the bottom of the upper cabinet.
3. Rotate the microwave oven towards the cabinet. Push the microwave oven against the mounting plate until locking pins snap into the cabinet.
4. Replace the two screws securing the microwave oven to the upper cabinet.

4. While wearing gloves, grasp the microwave oven supports **E** and firmly pull the microwave oven forward and downward to release the microwave oven cabinet from the mounting plate locking pins **F**.



5. Grasp the microwave oven cabinet. Rotate the microwave oven downward. (Be careful that door does not swing open.) Lift off the support tabs **G** at the bottom of the mounting plate. Set the microwave oven aside on a protected surface.



5. Untape the door and replace the turntable and support.
6. Replace the vent grille.
7. Replace the two screws in the top of microwave oven cabinet (the screws located closest to front corners).
8. If filters were installed, replace them (see "Installing and caring for the filters" in the "Caring for Your Microwave Oven" section, if needed).
9. Plug in microwave oven or reconnect power.

Getting to Know Your Microwave Oven

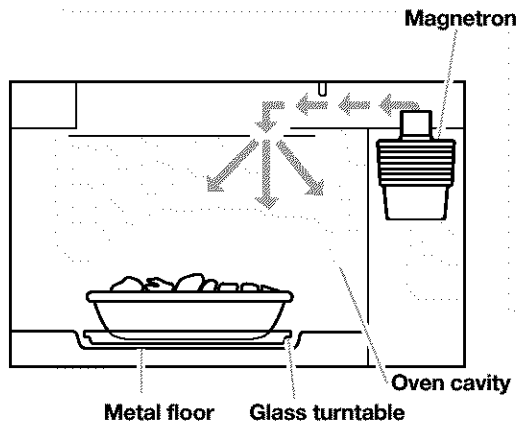
This section discusses the concepts behind microwave cooking. It also shows you the basics you need to know to operate your microwave oven. Please read this information before you use your oven.

HOW YOUR MICROWAVE OVEN WORKS

Microwave energy is not hot. It causes food to make its own heat, and it's this heat that cooks the food.

Microwaves are like TV waves, radio waves, or light waves. You cannot see them, but you can see what they do.

A magnetron in the microwave oven produces microwaves. The microwaves move into the oven where they contact food as it turns on the turntable.



The glass turntable of your microwave oven lets microwaves pass through. Then they bounce off a metal floor, back through the glass turntable, and are absorbed by the food.

Microwaves pass through most glass, paper, and plastics without heating them so food absorbs the energy. Microwaves bounce off metal containers so food does not absorb the energy.

For the best cooking results

- **Always cook food** for the shortest cooking time recommended. Check to see how the food is cooking.
- **To help make sure the food is evenly cooked, stir, turn over, or rearrange** the food about halfway through the cooking time.
- **If you do not have a cover for a dish,** use wax paper, or microwave-approved paper towels or plastic wrap. Remember to turn back a corner of the plastic wrap $\frac{1}{4}$ to $\frac{1}{2}$ in. (6.35 to 12.7 mm) to vent steam during heating or cooking.

RADIO INTERFERENCE

Using your microwave oven may cause interference to your radio, TV, or similar equipment. When there is interference, you can reduce it or remove it by:

- **Cleaning** the door and sealing surfaces of the oven.

- **Adjusting** the receiving antenna of the radio or television.
- **Moving** the receiver away from the microwave oven.
- **Plugging** the microwave oven into a different outlet so that the microwave oven and receiver are on different branch circuits.

TESTING YOUR MICROWAVE OVEN

To test the oven, put 1 cup (250 mL) of cold water in a glass container in the oven. Close the door. Make sure it latches. Cook at 100% power for

2 minutes. When the time is up, the water should be heated.

TESTING YOUR DINNERWARE OR COOKWARE

Test dinnerware or cookware before using.

To test a dish, put it into the oven with 1 cup (250 mL) of water beside it. Cook at 100% cook power for one minute. **If the dish gets hot and water stays cool, do not use it.** Some dishes (melamine, some ceramic dinnerware, etc.)

absorb microwave energy, and may become too hot to handle or may slow cooking times. Cooking in metal containers not designed for microwave use could damage the oven, as could containers with hidden metal (twist-ties, foil lining, staples, metallic glaze or trim).

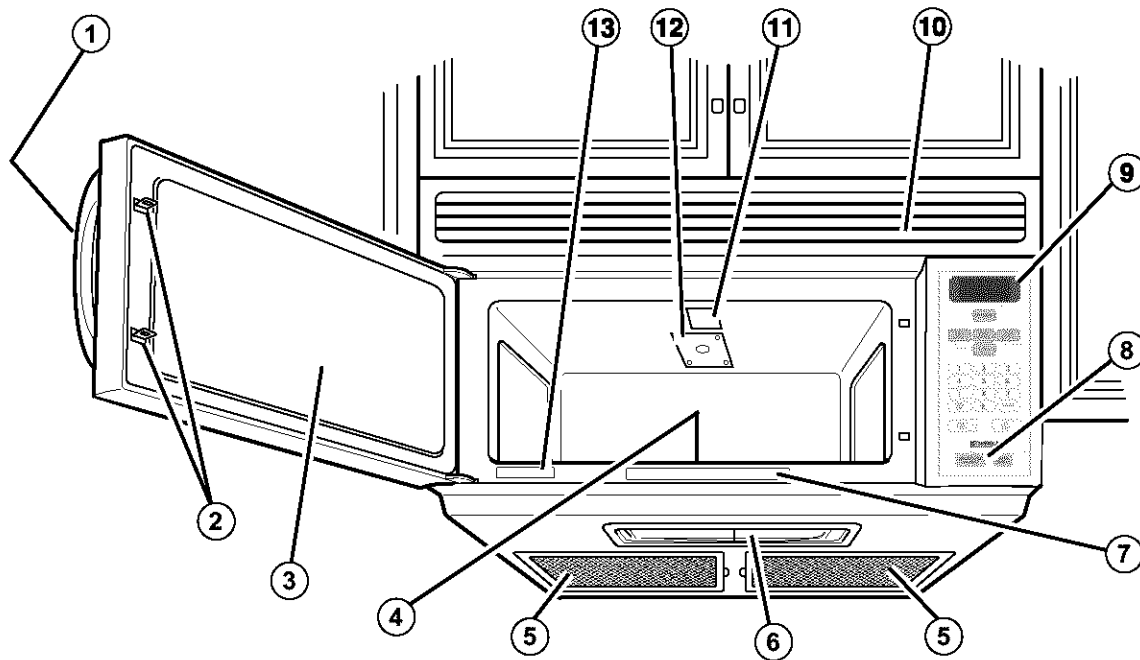
OPERATING TIPS

- **Never** lean on the door or allow a child to swing on it when the door is open.
- **Use hot pads.** Microwave energy does not heat containers, but the heat from the food can make the container hot.
- **Do not** use newspaper or other printed paper in the oven.
- **Do not** dry flowers, fruit, herbs, wood, paper, gourds, or clothes in the oven.
- **Do not** start a microwave oven when it is empty. Product life may be shortened. If you practice programming the oven, **put** a container of water in the oven. It is normal for the oven door to look wavy after the oven has been running for a while.
- **Do not** try to melt paraffin wax in the oven. Paraffin wax will not melt in a microwave oven because it allows microwaves to pass through it.
- **Do not** operate the microwave oven unless the glass turntable is securely in place and can rotate freely. The turntable can rotate in either direction. **Make sure** the turntable is correct-side up in the oven. **Handle your turntable with care** when removing it from the oven to avoid possibly breaking it. If your turntable cracks or breaks, contact your dealer for a replacement.
- **When you use a browning dish**, the browning dish bottom must be at least $\frac{3}{16}$ in. (5 mm) above the turntable. Follow the directions supplied with the browning dish.
- **Never cook or reheat a whole egg inside the shell.** Steam buildup in whole eggs may cause them to burst, and possibly damage the oven. **Slice** hard-boiled eggs before heating. In rare cases, poached eggs have been known to explode. **Cover** poached eggs and **allow** a standing time of one minute before cutting into them.
- **For best results, stir any liquid several times during heating or reheating.** Liquids heated in certain containers (especially containers shaped like cylinders) may become overheated. The liquid may splash out with a loud noise during or after heating or when adding ingredients (coffee granules, tea bags, etc.). This can damage the oven.
- **Microwaves** may not reach the center of a roast. The heat spreads to the center from the outer, cooked areas just as in regular oven cooking. This is one of the reasons for letting some foods (for example, roasts or baked potatoes) stand for a while after cooking, or for stirring some foods during the cooking time.
- **Do not deep fry in the oven.** Microwavable utensils are not suitable and it is difficult to maintain appropriate deep-frying temperatures.
- **Do not overcook potatoes.** At the end of the recommended cooking time, potatoes should be slightly firm because they will continue cooking during standing time. **After microwaving, let potatoes stand for 5 minutes.** They will finish cooking while standing.

ELECTRICAL CONNECTION

If your electric power line or outlet voltage is less than 110 volts, cooking times may be longer. Have a qualified electrician check your electrical system.

MICROWAVE OVEN FEATURES



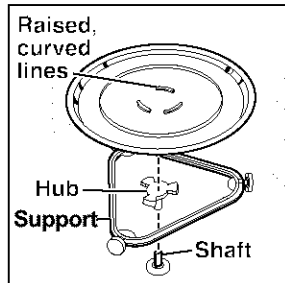
Your microwave oven is designed to make your cooking experience as enjoyable and productive as possible. To help get you up and running quickly, the following is a list of the oven's basic features:

1. **Door Handle.** Pull to open door.
2. **Door Safety Lock System.** The oven will not operate unless the door is securely closed.
3. **Window with Metal Shield.** Shield prevents microwaves from escaping. It is designed as a screen to allow you to view food as it cooks.
4. **Glass Turntable** (Part No. 4393751) (not shown). Included in oven cavity – see below for installation instructions. This turntable turns food as it cooks for more even cooking. It must be in the oven during operation for best cooking results. The turntable is sunken into the cavity floor to give you more cooking space and better cooking results.

5. **Grease Filters.** Included in oven cavity.
6. **Cooktop/Countertop Light.** Turn on to light your cooktop or countertop or turn on as a night light.
7. **Cooking Guide Label.** Use as a quick reference for Auto Cook, Auto Reheat, Auto Defrost and Popcorn settings.
8. **Exhaust Fan and Cooktop Light Switches.**
9. **Control Panel.** Touch the pads on this panel to perform all functions.
10. **Vent Grille.**
11. **Oven Cavity Light.**
12. **Microwave Inlet Cover.**
13. **Model and Serial Number Plate.**

To install turntable and support:

- Remove tape from hub (Part No. 4393754).
- Place the support (Part No. 4393752) on the cavity bottom.
- Place the turntable on the hub. Make sure the raised, curved lines in the center of the turntable bottom are between the three "spokes" of the hub.



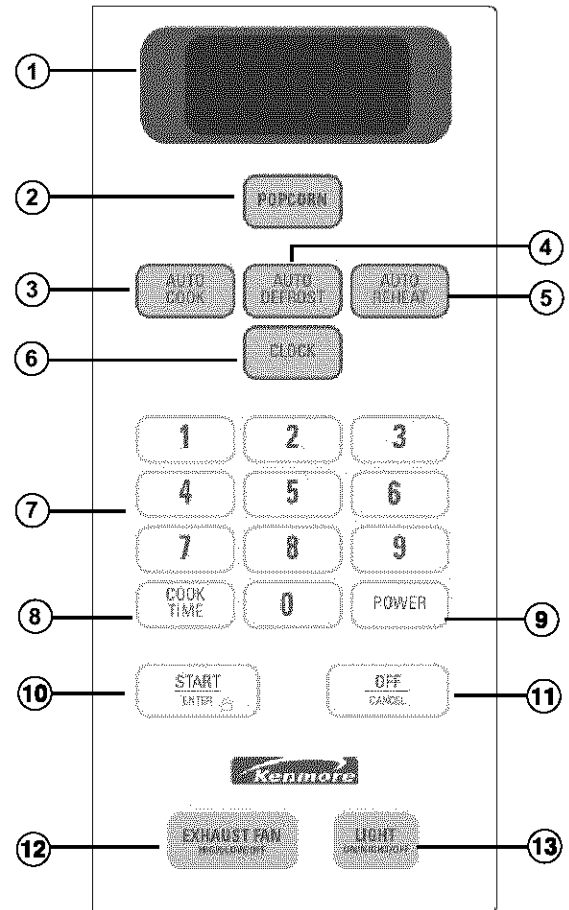
- The rollers (Part No. 4393753) on the support fit inside the ridge on the bottom of the turntable.
- The turntable turns both clockwise and counterclockwise. This is normal.

CONTROL PANEL FEATURES

1. **Display.** This display includes a clock and indicators to tell you the time of day, cooking time settings, and cooking functions you chose.
2. **POPCORN.** Touch this pad when popping popcorn in your microwave oven.
3. **AUTO COOK.** Touch this pad to cook microwavable foods without entering times and cook powers.
4. **AUTO DEFROST.** Touch this pad to defrost frozen foods without entering times and cook powers.
5. **AUTO REHEAT.** Touch this pad to reheat microwavable foods without entering times and cook powers.
6. **CLOCK.** Touch this pad to enter the correct time of day.
7. **Number pads.** Touch Number pads to enter cooking times, cook powers, quantities, weights, or food categories.
8. **COOK TIME.** Touch this pad followed by Number pads to set a cooking time.
9. **POWER.** Touch this pad after the cooking time has been set, followed by a Number pad to set the amount of microwave energy released to cook the food. Also touch this pad to lengthen or shorten a preset cooking time.
10. **START/ENTER.** Touch this pad to start a function.
11. **OFF/CANCEL.** Touch this pad to erase an incorrect command, cancel a program during cooking, or to clear the display.
12. **EXHAUST FAN HIGH/LOW/OFF.** Touch this pad to turn on the fan at high or low speed. Also use it to turn the fan off.
13. **LIGHT ON/NIGHT/OFF.** Touch this pad to turn the light or night light on or off.

NOTES:

- If you have entered all settings for a function but



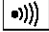
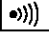
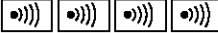
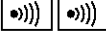

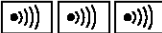
do not touch START/ENTER in 5 seconds, the START? indicator light will show.

- If you open the door while the oven is on and then shut the door, the START? indicator light will show. Touch START/ENTER to continue.
- If you choose a function but do not touch another command pad within 1 minute, the display returns to the time of day and you have to start over.

CONTROL PANEL FEATURES (CONT.)

Audible signals

Your microwave oven comes with audible signals that can guide you when setting and using your oven:

-  A programming tone will sound each time you touch a pad.
-  One long tone signals the end of a Kitchen Timer countdown.
-  Four tones signal the end of a cooking cycle.
-  Two quick, short tones sound once every minute for the first 15 minutes after an end-of-cooking signal as a reminder if the food has not been removed from the oven.
-  Two quick, short tones will sound while entering and exiting from a hidden feature (for example, Child Lock) or time of day.
-  Three tones sound if you have made an incorrect entry.

To disable the programming tone:

TOUCH

1

and hold for 4 seconds

To turn the programming tone back on:

TOUCH

1

and hold for 4 seconds

To disable all audible signals except the end-of-timer signal:

TOUCH

2

and hold for 4 seconds

To turn signals back on:

TOUCH

2

and hold for 4 seconds

NOTE: Two tones will sound when audible signals are turned on or off. This will work only when the oven is not performing some other function.

Interrupting cooking

You can stop the oven during a cycle by opening the door. The oven stops heating and the fan stops, but the light stays on. To restart cooking, close the door and

TOUCH

START
ENTER 

If you do not want to continue cooking:

- Close the door and the light goes off.

OR

- **TOUCH**

OFF
CANCEL

NOTE: Before setting a function, touch OFF/CANCEL to make sure no other function is on.

Using the child lock


The Child Lock locks the control panel so children cannot use the microwave oven when you do not want them to. This will work only when the oven is not performing some other function.

To lock the control panel:

TOUCH

START
ENTER 

and hold for 4 seconds

Two tones will sound and  will appear on the display. When the control panel is locked, 3 tones will sound and LOCK will appear when you touch any pad except for EXHAUST FAN and LIGHT, Number pads 1 and 2, and START/ENTER.

To unlock the control panel:

TOUCH

START
ENTER 

and hold for 4 seconds

Two tones will sound and  will be cleared from the display.

USING THE EXHAUST FAN

The pad on the bottom left of the control panel controls the 2-speed exhaust fan.

1. Choose fan speed.

NOTE: If the temperature from the range or cooktop below the oven gets too hot, the exhaust fan in the vent hood will automatically turn on at the HIGH setting to protect the oven. **It may stay on up to an hour to cool the oven. When this occurs, the EXHAUST FAN pad will not turn the fan off.**

TOUCH



(once for high speed, twice for low speed)

2. Turn off fan when desired.

TOUCH



(1 or 2 more times, depending on fan speed)

USING THE COOKTOP/COUNTERTOP LIGHT

The pad on the bottom right of the control panel controls the cooktop/countertop light.

1. Turn on light.

TOUCH



(once for regular light, twice for night light)

2. Turn off light when desired.

TOUCH



(1 or 2 times, depending on light setting)

SETTING THE CLOCK

When your microwave oven is first plugged in, or after a power failure, the display will flash “:”. If a time of day is not set, “:” will flash until you touch any pad.

NOTES:

- If you touch in an invalid time and touch CLOCK, 3 tones will sound. Enter the correct time.
- If you touch OFF/CANCEL while setting the clock, the display will show the last time of day set.
- To turn off the clock, touch CLOCK, Number pad 0, and CLOCK again. The set time will disappear and “:” will show on the display.

1. Touch CLOCK.

TOUCH

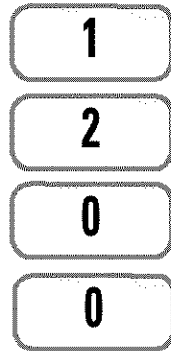


YOU SEE



2. Enter the time of day.
Example for 12:00:

TOUCH



YOU SEE



3. Complete your entry.

TOUCH



OR



YOU SEE



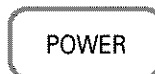
CHANGING PRESET COOKING TIMES

If a preset cooking time is too long or too short, you can lengthen or shorten the cooking time after choosing AUTO COOK, AUTO REHEAT or AUTO DEFROST. You can only change cooking times before cooking starts.

For example, in AUTO REHEAT, after choosing the type of food and entering the quantity:

To lengthen cooking time:

TOUCH



once

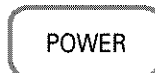
YOU SEE



(example for auto reheat)

To shorten cooking time:

TOUCH



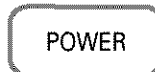
twice

YOU SEE



To reset to the original cooking time:

TOUCH



three times

YOU SEE



Using Your Microwave Oven

This section gives you instructions for operating each function. Please read these instructions carefully.

COOKING AT HIGH COOK POWER

1. Put your food in the oven and close the door.

2. Touch COOK TIME.

TOUCH



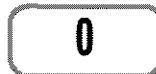
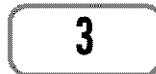
YOU SEE



3. Enter the cooking time.

Example for 1 minute, 30 seconds:

TOUCH



YOU SEE



4. Start the oven.

TOUCH



YOU SEE



At the end of the cooking time:

YOU SEE



(four tones will sound)

Changing instructions

You can change the cooking time any time during cooking by repeating Steps 2, 3, and 4.

COOKING AT DIFFERENT COOK POWERS

For best results, some recipes call for different cook powers. The lower the cook power, the slower the cooking. Each Number pad also stands for a different percentage of cook power. Many microwave cookbook recipes tell you by number, percent, or name which cook power to use.

The following chart gives the percentage of cook power each Number pad stands for, and the cook power name usually used. It also tells you when to use each cook power. Follow recipe or food package instructions if available.

NOTE: Refer to a reliable cookbook for cooking times.

COOK POWER	NAME	WHEN TO USE IT
10=100% of full power (automatic)	High	<ul style="list-style-type: none"> • Quick heating many convenience foods and foods with high water content, such as soups and beverages
9=90% of full power		<ul style="list-style-type: none"> • Cooking small tender pieces of meat, ground meat, poultry pieces, fish fillets, and most vegetables • Heating cream soups
8=80% of full power		<ul style="list-style-type: none"> • Heating rice, pasta, or stirrable casseroles • Cooking and heating foods that need a cook power lower than high (for example, whole fish and meat loaf)
7=70% of full power	Medium-High	<ul style="list-style-type: none"> • Reheating a single serving of food
6=60% of full power		<ul style="list-style-type: none"> • Cooking sensitive foods, such as cheese and egg dishes, pudding, and custards • Cooking nonstirrable casseroles, such as lasagna
5=50% of full power	Medium	<ul style="list-style-type: none"> • Cooking ham, whole poultry, and pot roasts • Simmering stews
4=40% of full power		<ul style="list-style-type: none"> • Melting chocolate • Heating pastries
3=30% of full power	Medium-Low, Defrost	<ul style="list-style-type: none"> • Defrosting foods, such as bread, fish, meats, poultry, and precooked foods
2=20% of full power		<ul style="list-style-type: none"> • Softening butter, cheese, and ice cream
1=10% of full power	Low	<ul style="list-style-type: none"> • Taking chill out of fruit

NOTE: Once cook time has been entered, you can also use the POWER pad as a second Kitchen Timer by entering "0" for the cook power. The oven will count down the cooking time you set without cooking.

COOKING AT DIFFERENT COOK POWERS (CONT.)

1. Put your food in the oven and close the door.

2. Touch COOK TIME.

TOUCH

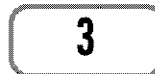
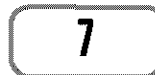


YOU SEE



3. Enter the cooking time.
Example for 7 minutes, 30 seconds:

TOUCH



YOU SEE



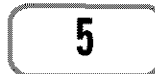
4. Set the cook power.

TOUCH

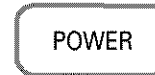


Example for 50% cook power:

TOUCH

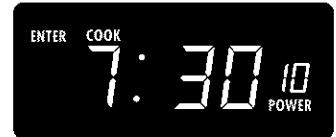


OR



(repeat until desired cook power appears)

YOU SEE



YOU SEE



5. Start the oven.

TOUCH



YOU SEE



At the end of the cooking time:

YOU SEE



(four tones will sound)

Changing instructions

You can change the cooking time or cook power any time during cooking by repeating Steps 2, 3 and/or 4 and 5.

COOKING IN STAGES

For best results, some recipes call for one cook power for a certain length of time, and another cook power for another length of time. Your oven can be set to change from one to another automatically, for up to 3 stages.

You can set your chosen cook functions in any order. However, if you use AUTO DEFROST it must be the first stage.

1. Put your food in the oven and close the door.

2. Touch COOK TIME.

TOUCH

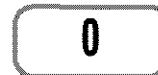
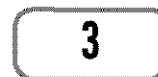
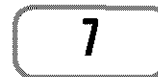


YOU SEE



3. Enter the cooking time for the first stage.
Example for 7 minutes, 30 seconds:

TOUCH

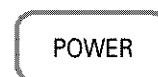


YOU SEE



4. Set the cook power for the first stage.

TOUCH

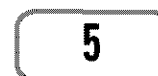


YOU SEE

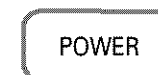


Example for 50% cook power:

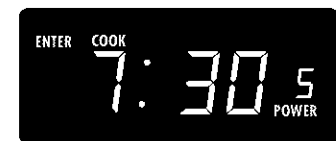
TOUCH



OR



YOU SEE



(repeat until desired cook power appears)

5. Repeat Steps 2, 3, and 4 to set the cooking time and cook power for each additional stage.

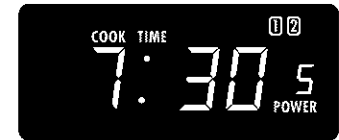
COOKING IN STAGES (CONT.)

6. Start the oven.

TOUCH



YOU SEE



(first stage, when cooking with 2 stages)

After the first stage is over, the next stage(s) will count down.

At the end of the cooking time:

YOU SEE



(four tones will sound)

Changing instructions

You can change cooking times or cook powers for a stage any time after that stage starts by repeating Steps 2, 3 and/or 4 and 5.

USING AUTO COOK

You can cook microwavable foods just by choosing a category and quantity. AUTO COOK has preset times and cook powers for 7 categories (see chart below).

To use AUTO COOK, follow the steps below:

1. TOUCH



once

YOU SEE



2. Touch AUTO COOK 1 to 7 times to choose the type of food.



Example for rice

OR once

Touch a Number pad to choose the type of food.



Example for rice

YOU SEE



Example for rice



3. Touch a Number pad to enter the quantity.



Example for 1 cup (250 mL)

YOU SEE



Example for 1 cup (250 mL)

4. TOUCH



YOU SEE



(countdown time may vary)

NOTES:

- If you do not enter a quantity within 2 seconds, AUTO COOK will prompt you to choose a quantity. You then have 1 minute to enter a quantity and to touch START/ENTER. If you do not do so, AUTO COOK will be canceled.
- If you touch AUTO COOK 8 times, the display returns to the Rice setting.
- If you need more or less time, do not touch AUTO COOK again. Touch POWER before you touch START/ENTER. (See "Changing preset cooking times" in the "Getting to Know Your Microwave Oven" section.)
- When cooking bacon, keep in mind that differences in the amount of fat, meat, thickness, and curing process will affect how bacon is cooked. Also, regular sliced bacon averages about 16 slices per pound (454 g).

This chart shows you how to choose a type of food and the amounts you can choose for each type.

FOOD	TOUCH AUTO COOK* OR	TOUCH NUMBER PAD	AMOUNTS YOU CAN CHOOSE
Rice	once	1	0.5, 1, 1.5, or 2 cups** (125 mL, 250 mL, 375 mL, or 500 mL)
Fresh Vegetables	twice	2	1 to 4 cups (250 mL to 1 L)
Frozen Vegetables	3 times	3	1 to 4 cups (250 mL to 1 L)
Canned Vegetables	4 times	4	1 to 4 cups (250 mL to 1 L)
Bacon	5 times	5	1 to 6 pieces, average thickness
Frozen Entree	6 times	6	10 to 12 oz. or 20 to 21 oz.*** (284 to 340 g or 567 to 595 g)
Baked Potato	7 times	7	1 to 4 potatoes, 10 to 13 oz. each (284 to 369 g)

*You must touch AUTO COOK once before choosing the food type.

**Set 0.5 cup by touching "0" and "5" or only "0" or only "5." Set 1.0 cup by touching "1" and "0" or only "1." Set 1.5 cups by touching "1" and "5". Set 2.0 cups by touching "2" and "0" or only "2".

***Set 10 to 12 oz. by touching "1". Set 20 to 21 oz. by touching "2".

USING AUTO REHEAT

You can reheat microwavable foods just by choosing a category and quantity. AUTO REHEAT has preset times and cook powers for 5 categories (see chart below).

To use AUTO REHEAT, follow the steps below:

1. TOUCH



once

YOU SEE



2. Touch AUTO REHEAT 1 to 5 times to choose the type of food.



once

Example for pizza slice

OR

Touch a Number pad to choose the type of food.



1

Example for pizza slice

YOU SEE



Example for pizza slice



3. Touch a Number pad to enter the quantity.



1

Example for 1 slice

YOU SEE



Example for 1 slice

4. TOUCH



START

ENTER



YOU SEE



(countdown time may vary)

NOTES:

- If you do not enter a quantity within 2 seconds, AUTO REHEAT will prompt you to choose a quantity. You then have 1 minute to enter a quantity and to touch START/ENTER. If you do not do so, AUTO REHEAT will be canceled.
- If you touch AUTO REHEAT 6 times, the display returns to the Pizza Slice setting.
- If you need more or less time, do not touch AUTO REHEAT again. Touch POWER before you touch START/ENTER. (See “Changing preset cooking times” in the “Getting to Know your Microwave Oven” section.)
- When reheating a large (4 oz [113 g]) muffin or bagel use the 2-piece setting. The 1-piece setting bakes 1 regular-size muffin or bagel, or 2 small dinner rolls.

This chart shows you how to choose a type of food and the amounts you can choose for each type.

FOOD	TOUCH AUTO REHEAT*	OR	TOUCH NUMBER PAD	AMOUNTS YOU CAN CHOOSE
Pizza Slice	once		1	1 to 3 slices, 5 oz (142 g) each
Soup/Sauce	twice		2	1 to 4 cups (250 mL to 1 L)
Casserole	3 times		3	1 to 4 cups (250 mL to 1 L)
Baked Goods	4 times		4	1 to 6 pieces, 2 oz (57 g) each
Plate (of food)	5 times		5	1 serving (or 1 plate)

* You must touch AUTO REHEAT once before choosing the food type.

USING AUTO DEFROST

You can defrost food by choosing a category and setting a weight. AUTO DEFROST has preset times and cook powers for 3 categories (see chart below).

To use AUTO DEFROST, follow the steps below:

1. TOUCH



once

YOU SEE



2. Touch AUTO DEFROST 1 to 3 times to choose the type of food.



Example for meats

once

OR

Touch a Number pad to choose the type of food.



Example for meats

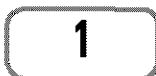
YOU SEE



Example for meats



3. Touch Number pad(s) to enter the weight.



Example for 1.1 lbs (500 g)

twice

YOU SEE



Example for 1.1 lbs (500 g)

4. TOUCH



YOU SEE



(countdown time may vary)

NOTES:

- If you do not enter a weight within 2 seconds, AUTO DEFROST will prompt you to enter a weight. You then have 1 minute to enter a weight and to touch START/ENTER. If you do not do so, AUTO DEFROST will be canceled.
- If you enter a weight higher than the highest weight allowed for your food setting, 3 tones will sound and “RETRY” will appear on the display when you touch START/ENTER.
- If you touch AUTO DEFROST 4 times, the display returns to the Meats setting.
- If you need more or less defrosting time, do not touch AUTO DEFROST again. Touch POWER before you touch START/ENTER. (See “Changing preset cooking times” in the “Getting to Know Your Microwave Oven” section.)
- See the “Auto defrost chart” later in this section for defrosting directions for each food.
- To defrost items not listed in the “Auto defrost chart,” use 30% cook power. Refer to a reliable cookbook for defrosting information.

For even, complete defrosting

- The shape of the package affects how quickly food will defrost. Shallow packages will defrost more quickly than a deep block.
- As food begins to defrost, separate the pieces. Separated pieces defrost more evenly.
- Use small pieces of aluminum foil to shield parts of food such as chicken wings, leg tips, fish tails, or areas that start to get warm. Make sure the foil does not touch the sides, top, or bottom of the oven.

This chart shows you how to choose a type of food and the weights you can set for each type.

FOOD	TOUCH AUTO DEFROST*	OR	TOUCH NUMBER PAD	WEIGHTS YOU CAN SET (tenths of a pound)
Meats	once		1	.1 to 6.6 (45 g to 2994 g)
Poultry	twice		2	.1 to 6.6 (45 g to 2994 g)
Fish	3 times		3	.1 to 4.4 (45 g to 1998 g)

* You must touch AUTO DEFROST once before choosing the food type.

AUTO DEFROST CHART

Meat setting

FOOD	SPECIAL INSTRUCTIONS
Beef	Meat of irregular shape and large, fatty cuts of meat should have the narrow or fatty areas shielded with foil at the beginning of a defrost cycle.
Ground Beef, Bulk	Do not defrost less than ¼ lb (113 g).
Ground Beef, Patties	Do not defrost less than two 4 oz (113 g) patties.
Round Steak, Tenderloin Steak, Pot Roast, Chuck Roast, Rib Roast, Rolled Rump Roast	Place on a microwavable roasting rack.
Stew Beef	Place in a microwavable baking dish.
Lamb	
Cubes for Stew	Place in a microwavable baking dish.
Chops (1 in. [2.5 cm] thick)	Place on a microwavable roasting rack.
Pork	
Chops (½ in. [13 mm] thick), Hot Dogs, Spareribs, Country-Style Ribs, Loin Roast (Boneless), Sausage, Links	Place on a microwavable roasting rack.
Sausage, Bulk	Place in a microwavable baking dish.

Poultry setting

FOOD	SPECIAL INSTRUCTIONS
Chicken	
Whole (up to 9½ lbs [4.3 kg])	Place chicken breast-side up on a microwavable roasting rack. Finish defrosting by immersing in cold water. Remove giblets when chicken is partially defrosted.
Cut Up	Place on a microwavable roasting rack. Finish defrosting by immersing in cold water.
Cornish Hens	
Whole	Place on a microwavable roasting rack. Finish defrosting by immersing in cold water.
Turkey	
Breast (under 6 lbs [2.7 kg])	Place on a microwavable roasting rack. Finish defrosting by immersing in cold water.

continued on next page

AUTO DEFROST CHART (CONT.)

Fish setting

FOOD	SPECIAL INSTRUCTIONS
Fish	
Filletts	Place in a microwavable baking dish. Carefully separate filletts under cold water.
Steaks	Place in a microwavable baking dish. Run cold water over to finish defrosting.
Whole	Place in a microwavable baking dish. Cover head and tail with foil; do not let foil touch sides of microwave oven. Finish defrosting by immersing in cold water.
Shell Fish	
Crabmeat, Lobster Tails, Shrimp, Scallops	Place in a microwavable baking dish.

DEFROSTING TIPS

- When using AUTO DEFROST, you need to enter the net weight (the weight of the food minus the container). Enter the weight to the nearest $\frac{1}{16}$ lb (45 g).
- Only use AUTO DEFROST for raw food. AUTO DEFROST gives best results when the food to be thawed is completely frozen. If the food is partially defrosted, always set a lower food weight (for a shorter defrosting time) to prevent cooking the food.
- For better results, a preset standing time is included in the defrosting time. This may make the defrosting time seem longer than expected. (For more information on standing time, see the "Microwave cooking tips" in the "Cooking Guide" section.)

Weight conversion chart

You are probably used to food weights as being in pounds and ounces that are fractions of a pound (for example 4 ounces equals $\frac{1}{4}$ pound). However, in order to enter food weight in AUTO DEFROST, you must specify pounds and tenths of a pound.

If the weight on the food package is in fractions of a pound, you can use the following chart to convert the weight to decimals.

DECIMAL WEIGHT	EQUIVALENT OUNCE WEIGHT	EQUIVALENT GRAM WEIGHT
.10	1.6	45
.20	3.2	91
.25 One-Quarter Pound	4.0	113
.30	4.8	136
.40	6.4	181
.50 One-Half Pound	8.0	227
.60	9.6	272
.70	11.2	318
.75 Three-Quarters Pound	12.0	340
.80	12.8	363
.90	14.4	408
1.00 One Pound	16.0	454

USING POPCORN

You can pop commercially packaged microwave popcorn by touching just one pad. The number of times you touch this pad determines which size bag of popcorn your oven will pop.

For best results:

- Pop only 1 package at a time.
- If you are using a microwave popcorn popper, follow manufacturer's instructions.

To use POPCORN, follow the steps below:

1. Place the bag in the center of the turntable.
2. Touch POPCORN 1 to 3 times to choose the bag size.



Example for
3.5 oz (100 g)

once

YOU SEE



Example for
3.5 oz (100 g)



(countdown
time may
vary)

This chart shows you how to choose a bag size.

BAG SIZE (ounces)	TOUCH POPCORN
3.5 (100 g)	once
3.0 (85 g)	twice
1.75 (50 g)	3 times

NOTES:

- If you touch POPCORN 4 times, the display returns to the 3.5 oz. (100 g) setting.
- You do not need to touch START/ENTER to start the oven. The oven will start in 5 seconds.

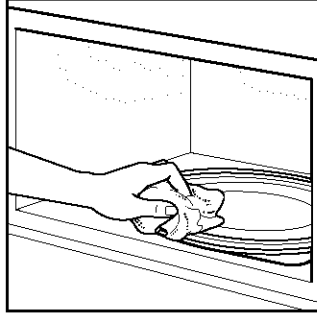
Popcorn brands make a difference

How well your popcorn cooks will depend on the brand of popcorn and how much fat it has in it. Try several brands to decide which pops the best. For best results, use fresh bags of popcorn.

Caring for Your Microwave Oven

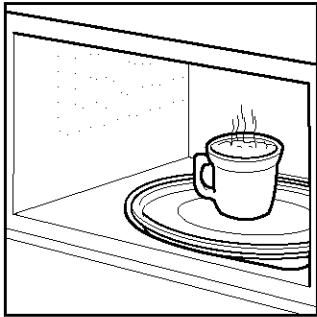
To make sure your microwave oven looks good and works well for a long time, you should maintain it properly. For proper care, please follow these instructions carefully.

For interior surfaces: Wash often with warm, sudsy water and a sponge or soft cloth. Use only mild, nonabrasive soaps or a mild detergent. **Be sure to keep the areas clean where the door and oven frame touch when closed.** Wipe well with clean water. Over time, stains can

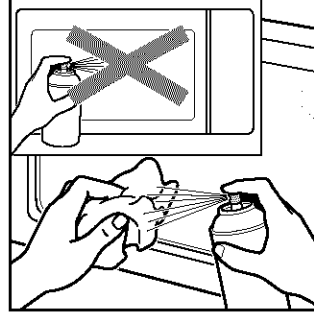


occur on the surfaces as the result of food particles spattering during cooking. This is normal.

For stubborn soil, boil a cup of water in the oven for 2 to 3 minutes. Steam will soften the soil. To get rid of odors inside the oven, boil a cup of water with some lemon juice or vinegar in it.



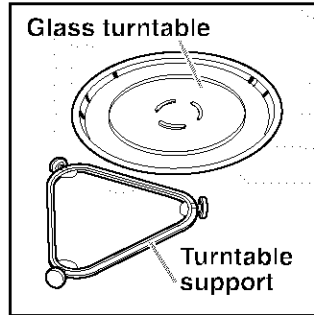
For exterior surfaces and control panel: Use a soft cloth with spray glass cleaner. Apply the spray glass cleaner to the soft cloth; do not spray directly on the oven.



NOTE: Abrasive cleansers, steel-wool pads, gritty wash cloths, some paper towels, etc., can damage

the control panel and the interior and exterior oven surfaces.

To clean turntable and turntable support, wash in mild, sudsy water; for heavily soiled areas use a mild cleanser and scouring sponge. The turntable and turntable support are dishwasher safe.



INSTALLING AND CARING FOR FILTERS



⚠ WARNING

Electrical Shock Hazard

Disconnect power before removing filters.
Replace all panels before operating.
Failure to do so can result in death or electrical shock.

The grease (aluminum) filters should be removed and cleaned often, at least once a month.

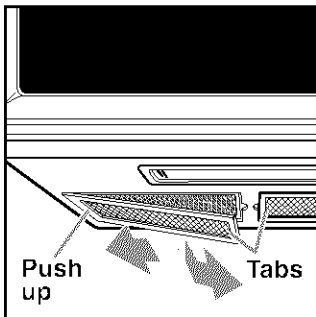
You can order replacements (Part No. 4393862) from your nearest Sears Service Center.

The charcoal filter cannot be cleaned and should be replaced every 6 to 12 months. The replacement schedule for the charcoal filter is intended mainly for those who install the microwave hood combination in Recirculation mode.

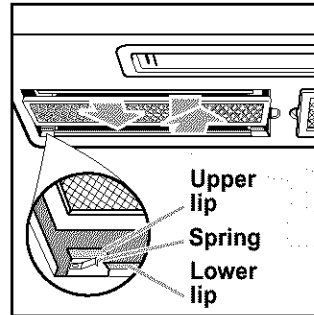
NOTE: Your microwave hood combination comes with a charcoal (Part No. 8169645) filter installed behind the aluminum grease filter. The charcoal filter helps remove odors and provide clean recirculated air. You may remove the charcoal filter if venting to the outside.

Removing, cleaning, and replacing

1. Unplug microwave oven or disconnect power.

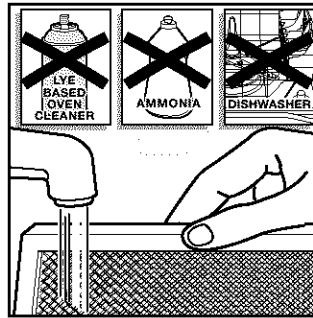


2. To remove the grease filters, push each filter up on the side opposite the tab. Grasp the tab and slide the filter to the side. Pull the filter downward. It will drop out.



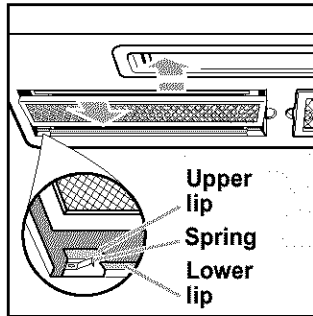
3. To remove the charcoal filters, push the back of each filter away from you. This will slide the front of the filter off the lower lip. Swing the front of the filter down and slide the filter out.

4. Soak grease filters in hot water and a mild detergent. Scrub and swish to remove embedded dirt and grease. Rinse well and shake to dry.



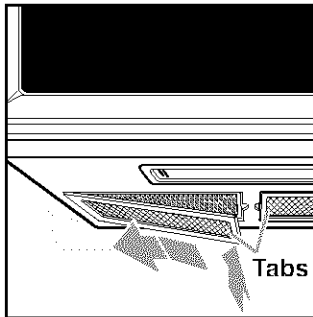
Do not use ammonia, corrosive cleaning agents such as lye-based oven cleaners, or place in a dishwasher. The filter will turn black or could be damaged.

5. To replace the charcoal filters, push each filter to the back of the opening, between the upper and lower lips against the springs. Swing the front of the filter up against the upper lip. Slide the filter forward while pushing it up against the upper lip. The filter will now be held in position between



the lips by the spring.

6. To replace the grease filters, slide each filter into the outer side of the filter opening. Make sure you are sliding in the side of the filter that does not have the tab. Hold the tab with your other hand. Push up the tab side of the filter and slide the filter to the other side of the opening to lock into place.



7. Plug in microwave oven or reconnect power.

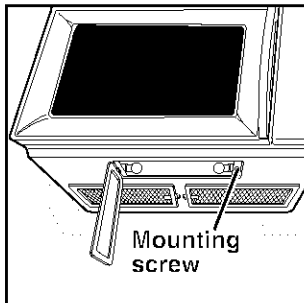
NOTE: Do not operate the vent fan without the grease filters in place.

REPLACING THE COOKTOP AND OVEN LIGHTS

The cooktop light

1. Unplug microwave oven or disconnect power.

2. Remove the bulb cover mounting screw and carefully remove the cover.



3. Replace bulb(s) with candelabra-base 30-watt bulb(s) (Part No. 4393681) available from your Sears Service Center.

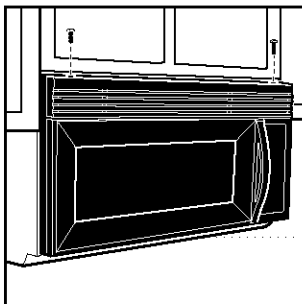
4. Replace the bulb cover and mounting screw.

5. Plug in microwave oven or reconnect power.

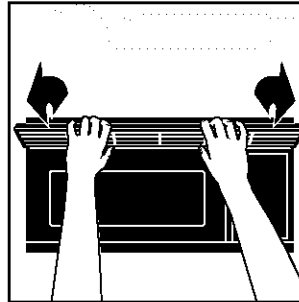
The oven light

1. Unplug microwave oven or disconnect power.

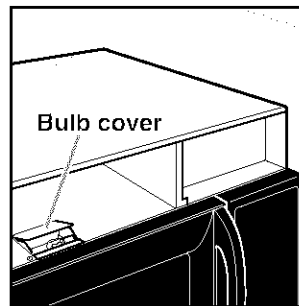
2. Remove the two vent grille mounting screws located above the cover (the two outer screws).



3. Tip the grille forward, then lift out to remove.



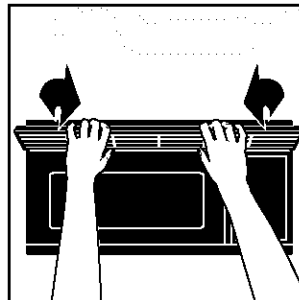
4. Lift up the bulb cover.



5. Replace the bulb with a candelabra-base 30-watt bulb (Part No. 4393681) available from your Sears Service Center.

6. Close the bulb cover.

7. Slide the top of the vent grille into place. Push the bottom until it snaps into place. Replace the mounting screws.



8. Plug in microwave oven or reconnect power.

Cooking Guide

MICROWAVE COOKING TIPS

Amount of food

- **If you increase or decrease** the amount of food you prepare, the time it takes to cook that food will also change. For example, if you double a recipe, add a little more than half the original cooking time. Check for doneness and, if necessary, add more time in small increments.

Starting temperature of food

- **The lower the temperature** of the food being put into the microwave oven, the longer it takes to cook. Food at room temperature will be reheated more quickly than food at refrigerator temperature.

Composition of food

- **Food with a lot of fat and sugar** will be heated faster than food containing a lot of water. Fat and sugar will also reach a higher temperature than water in the cooking process.
- **The more dense the food**, the longer it takes to heat. “Very dense” food like meat takes longer to reheat than lighter, more porous food like sponge cakes.

Size and shape

- **Smaller pieces of food** will cook faster than larger pieces. Also, same-shaped pieces cook more evenly than different-shaped pieces.
- **With foods that have different thicknesses**, the thinner parts will cook faster than the thicker parts. **Place** the thinner parts of chicken wings and legs in the center of the dish.

Stirring, turning foods

- **Stirring and turning foods** spreads heat quickly to the center of the dish and avoids overcooking at the outer edges of the food.

Covering food

Cover food to:

- **Reduce** spattering
- **Shorten** cooking times
- **Keep** food moist

You can use any covering that lets microwaves pass through. See “Getting to Know Your Microwave Oven” for materials that microwaves will pass through.

Releasing pressure in foods

- **Several foods** (for example: baked potatoes, sausages, egg yolks, and some fruits) are tightly covered by a skin or membrane. Steam can build up under the membrane during cooking, causing the food to burst. To relieve the pressure and to prevent bursting, **pierce** these foods before cooking with a fork, cocktail pick, or toothpick.

Using standing time

- **Always allow food to stand** after cooking. Standing time after defrosting and cooking allows the temperature to spread evenly throughout the food, improving the cooking results.
- **The length of the standing time** depends on how much food you are cooking and how dense it is. Sometimes it can be as short as the time it takes you to remove the food from the oven and take it to the serving table. However, with larger, denser food, the standing time may be as long as 10 minutes.

Arranging food

For best results, place food evenly on the plate. You can do this in several ways:

- **If you are cooking several items of the same food**, such as baked potatoes, **place** them in a ring pattern for uniform cooking.
- **When cooking foods of uneven shapes or thickness, such as chicken breasts**, **place** the smaller or thinner area of the food toward the center of the dish where it will be heated last.
- **Layer thin slices of meat** on top of each other.
- **When you cook or reheat whole fish**, **score** the skin – this prevents cracking.
- **Do not** let food or a container touch the top or sides of the oven. This will prevent possible arcing.

Using aluminum foil

Metal containers should not be used in a microwave oven. There are, however, some exceptions. If you have purchased food which is prepackaged in an aluminum foil container, refer to the instructions on the package. When using aluminum foil containers, cooking times may be longer because microwaves will only penetrate the top of the food. If you use aluminum containers without package instructions, follow these guidelines:

MICROWAVE COOKING TIPS (CONT.)

Using aluminum foil (cont.)

- **Place** the container in a glass bowl and add some water so that it covers the bottom of the container, not more than $\frac{1}{4}$ in. (.64 cm) high. This ensures even heating of the container bottom.
- **Always remove** the lid to avoid damage to the oven.
- **Use only** undamaged containers.
- **Do not use** containers taller than $\frac{3}{4}$ in. (1.9 cm).
- **Container must be** at least half filled.
- **To avoid arcing**, there must be a minimum $\frac{1}{4}$ in. (.64 cm) between the aluminum container and the walls of the oven and also between two aluminum containers.
- **Always place** the container on the turntable.

- **Reheating food** in aluminum foil containers usually takes up to double the time compared to reheating in plastic, glass, china, or paper containers. The time when food is ready will vary depending upon the type of container you use.
- **Let food stand** for 2 to 3 minutes after heating so that heat is spread evenly throughout container.

Cooking you should not do in your microwave oven

- **Do not** do canning of foods in the oven. Closed glass jars may explode, resulting in damage to the oven.
- **Do not** use the microwave oven to sterilize objects (baby bottles, etc.). It is difficult to keep the oven at the high temperature needed for sterilization.

Questions and Answers

QUESTIONS	ANSWERS
Can I operate my microwave oven without the turntable or turn the turntable over to hold a large dish?	No. If you remove or turn over the turntable, you will get poor cooking results. Dishes used in your oven must fit on the turntable.
Can I use a rack in my microwave oven so that I may reheat or cook on two levels at a time?	You can use a rack only if the rack is supplied with your microwave oven. If you use a rack not supplied with the microwave oven, you can get poor cooking performance and/or arcing.
Can I use either metal or aluminum pans in my microwave oven?	You can use aluminum foil for shielding (use small, flat pieces), small skewers, and shallow foil trays (if tray is not taller than $\frac{3}{4}$ in. [1.9 cm] deep and half filled with food to absorb microwave energy). Never allow metal to touch walls or door.
Is it normal for the turntable to turn in either direction?	Yes. The turntable rotates clockwise or counter-clockwise, depending on the rotation of the motor when the cooking cycle begins.
Sometimes the door of my microwave oven appears wavy. Is this normal?	This appearance is normal and does not affect the operation of your oven.
What are the humming noises that I hear when my microwave oven is operating?	You may hear the sound of the transformer when the magnetron tube cycles on.
Why does the dish become hot when I microwave food in it? I thought that this should not happen.	As the food becomes hot it will conduct the heat to the dish. Be prepared to use hot pads to remove food after cooking.
What does "standing time" mean?	"Standing time" means that food should be removed from the oven and covered for additional time to allow it to finish cooking. This frees the oven for other cooking.
Why does steam come out of the air exhaust vent?	Steam is normally produced during cooking. The microwave oven has been designed to vent this steam out the vents.
Can I pop popcorn in my microwave oven? How do I get the best results?	Yes. Pop packaged microwave popcorn following manufacturer's guidelines or use the pre-set POPCORN pad. Do not use regular paper bags. Use the "listening test" by stopping the oven as soon as the popping slows to a "pop" every 1 to 2 seconds. Do not repop unpopped kernels. Do not pop popcorn in glass cookware.

Troubleshooting

Most cooking problems often are caused by little things you can find and fix without tools of any kind. Check the lists below and on the next page before calling for assistance or service. If you still need help, see the Sears toll-free numbers on the back cover.

MICROWAVE OVEN DOES NOT WORK

PROBLEM	CAUSE
Nothing works.	<ul style="list-style-type: none">• The power supply cord is not plugged into a grounded 3 prong outlet. (See the “Electrical requirements” section on Page 6 and the “Electrical connection” section on Page 9.)• A household fuse has blown or a circuit breaker has tripped.• The electric company has had a power failure.
The microwave oven will not run.	<ul style="list-style-type: none">• The door is not firmly closed and latched.• You did not touch START/ENTER.• You did not follow directions exactly.• An operation that you set earlier is still running. Touch OFF/CANCEL to cancel that operation.

COOKING TIMES

PROBLEM	CAUSE
Food is not cooked enough.	<ul style="list-style-type: none">• The electric supply to your home or wall outlets is low or lower than normal. Your electric company can tell you if the line voltage is low. Your electrician or service technician can tell you if the outlet voltage is low.• The cook power is not at the recommended setting. Check the chart on Page 17.• You have not allowed enough cooking time for the amount of food being cooked. Larger amounts of food need longer cooking times.
The display shows a time counting down but the oven is not cooking.	<ul style="list-style-type: none">• The oven door is not closed completely.

TURNTABLE

PROBLEM	CAUSE
The turntable will not turn.	<ul style="list-style-type: none">• The turntable is not correctly in place. It should be correct-side up and sitting firmly on the center shaft.• The support is not operating correctly. Remove the turntable and restart the oven. If the support still does not move, call an authorized service technician for repair. Cooking without the turntable can give you poor results.

TONES

PROBLEM	CAUSE
You do not hear the programming or end-of-cycle tone.	<ul style="list-style-type: none">• You have not entered the correct command.• You have turned off the tone. See the “Audible signals” section on Page 12.

DISPLAY MESSAGES

PROBLEM	CAUSE
The display is flashing “:.”.	<ul style="list-style-type: none">• There has been a power interruption. Reset the clock. (See the “Setting the clock” section on Page 14.)

If none of these items are causing your problem, see the “Sears Toll-Free Numbers” section on Back Cover.

Index

This index is alphabetical. It contains all the topics included in this manual, along with the page(s) on which you can find each topic.

TOPIC	PAGE	TOPIC	PAGE
ALUMINUM FOIL.....	30, 31	FILTERS	28
AUDIBLE SIGNALS	12	HOW YOUR MICROWAVE OVEN WORKS	8
CARING FOR YOUR MICROWAVE OVEN	27-29	INSTALLATION INSTRUCTIONS	7
CHARTS		LIGHTS	
Auto cook.....	21	Replacing	29
Auto defrost	23-25	Using	13
Auto reheat	22	PARTS AND FEATURES	
Cook powers	17	Cooking guide label	10
Popcorn	26	Door handle	10
Weight conversion	25	Door safety lock system	10
CONTROL PANEL	11-12	Magnetron	2, 3, 8, 32
AUTO COOK	21	Model and serial number plate	10
AUTO DEFROST	23	Turntable	7-10, 26, 27, 31, 32, 34
AUTO REHEAT	22	Vent grille	10
Changing preset cooking times	15	Window	10
Child lock	12	QUESTIONS AND ANSWERS	32
CLOCK.....	14	RADIO INTERFERENCE	8
Cooking at high cook power	16	REPLACING COOKTOP AND OVEN LIGHTS	29
Cooking at different cook powers	17, 18	SAFETY	4-6
COOK TIME	16-19	SERVICE	3
Display	11	STANDING TIME	25, 30, 32
Fan	13	TESTING YOUR DINNERWARE	
Interrupting cooking	12	OR COOKWARE	9
Light	13	TESTING YOUR MICROWAVE OVEN	8
Number pads	11	TIPS	
OFF/CANCEL	11, 12	Cooking	30-31
POPCORN	26	Defrosting	25
POWER	15, 17-19	Operating	9
Stage cooking	19, 20	TOLL-FREE NUMBERS	Back Cover
START/ENTER	11	TROUBLESHOOTING	33-34
ELECTRICAL REQUIREMENTS.....	6, 9	WARRANTY	2
EXHAUST FAN	13		

Índice de materias

Garantía	37
Servicio de Sears	38
Seguridad del horno de microondas	39
Instrucciones para la instalación	42
Conozca su horno de microondas.....	44
Cómo funciona su horno de microondas.....	44
Interferencia electromagnética	44
Cómo probar su horno de microondas	44
Cómo probar su vajilla o sus utensilios de cocina.....	45
Consejos para la operación.....	45
Conexión eléctrica.....	45
Características del horno de microondas	46
Partes del panel de control.....	47
Cómo utilizar el extractor de aire	50
Cómo utilizar la luz para la superficie de alimentos/encimera	50
Cómo programar el reloj.....	51
Cómo cambiar los tiempos prefijados de cocción.....	52
Cómo utilizar su horno de microondas.....	53
Cómo cocinar a un nivel alto de intensidad.....	53
Cocción a distintas intensidades.....	54
Cómo cocinar por pasos	56
Cómo utilizar AUTO COOK (cocción automática)	58
Cómo utilizar AUTO REHEAT (recalentado automático)	60
Cómo utilizar AUTO DEFROST (descongelado automático)	61
Tabla de descongelado automático	62
Consejos de descongelado	64
Cómo utilizar POPCORN (palomitas de maíz).....	65
Cómo cuidar su horno de microondas.....	66
Cómo instalar y cuidar los filtros	67
Cómo cambiar las luces del horno y de la superficie para preparación de alimentos	68
Guía para cocinar	69
Preguntas y respuestas	71
Diagnóstico y solución de problemas	72
Índice.....	74
Servicio técnico	Contraportada

Garantía del horno de microondas

GARANTÍA COMPLETA DE UN AÑO PARA EL HORNO DE MICROONDAS

Durante un año a partir de la fecha de compra, si este horno de microondas Kenmore fallara debido a defectos en el material o la mano de obra, Sears lo reparará sin costo alguno.

GARANTÍA COMPLETA DE CINCO AÑOS PARA EL MAGNETRÓN

Durante cinco años a partir de la fecha de compra, si el magnetrón de este horno de microondas Kenmore fallara debido a defectos en el material o la mano de obra, Sears lo reparará sin costo alguno.

La cobertura de la garantía antes citada corresponde sólo a hornos de microondas, cuyo uso es para fines domésticos privados.

EL SERVICIO DE LA GARANTÍA ESTÁ A SU DISPOSICIÓN CON TAN SÓLO PONERSE EN CONTACTO CON LA TIENDA O EL CENTRO DE SERVICIO SEARS MÁS CERCANO EN LOS ESTADOS UNIDOS.

Esta garantía tiene vigor únicamente mientras este producto sea utilizado en los Estados Unidos.

Esta garantía le otorga derechos legales específicos y quizás usted tenga también otros derechos, los cuales pueden variar de estado a estado.

**Sears, Roebuck and Co.,
Dept. 817WA,
Hoffman Estates, IL 60179**

**Para pedir servicio técnico llame al:
1-888-SU-HOGARSM
(1-888-784-6427)**

Por favor anote la información acerca del modelo de su electrodoméstico.

Siempre que llame para solicitar servicio técnico para su electrodoméstico, usted necesitará saber los números completos del modelo y de la serie. Usted podrá encontrar esta información en la placa/etiqueta con los números del modelo y de la serie (vea "Características del horno de microondas" en la sección "Conozca su horno de microondas"). Asimismo, anote la información que se indica a continuación.

Número del modelo _____

Número de la serie _____

Fecha de compra _____

Servicio de Sears

“Reparamos lo que vendemos”

Su compra adquiere un nuevo valor ya que usted puede confiar en Sears HomeCentral® para obtener servicio de reparación. Con más de 12,000 especialistas capacitados en reparaciones y acceso a más de 4.2 millones de piezas de repuesto y accesorios, contamos con las herramientas, piezas, conocimiento y la destreza para asegurarnos de cumplir nuestra promesa de que: Reparamos lo que vendemos.

Contratos de mantenimiento Sears

Su electrodoméstico Kenmore está diseñado, fabricado y sometido a prueba para proporcionarle años de funcionamiento confiable. No obstante, cualquier electrodoméstico moderno puede necesitar servicio técnico de vez en cuando. El Contrato de mantenimiento Sears le ofrece un programa de servicio excepcional, a un precio accesible.

El contrato de mantenimiento Sears

- Es la manera de adquirir el servicio técnico del mañana a precios de hoy.
- Elimina las facturas de reparación producidas por el uso normal y el desgaste.
- Proporciona asistencia no técnica y educativa.
- Aún cuando no necesite reparaciones, le proporciona una Revisión anual de mantenimiento preventivo a solicitud suya, para asegurarse de que su electrodoméstico está en condiciones apropiadas de funcionamiento.

Se aplican ciertas restricciones. Para obtener más información, llame al 1-888-784-6427.

He aquí un cuadro comparativo de la Garantía y el Contrato de Mantenimiento, que le muestra los beneficios de un contrato de mantenimiento Sears para su horno de microondas.

AÑOS DE COBERTURA PARA EL PROPIETARIO	1° AÑO	2° AL 5° AÑO
Reemplazo de piezas defectuosas, a excepción del magnetrón	G	CM
Reemplazo del magnetrón	G	G
Revisión anual de mantenimiento preventivo a solicitud suya	CM	CM

G – GARANTÍA

CM – CONTRATO DE MANTENIMIENTO

Póngase en contacto con el representante de Sears o el Centro de Servicio Sears de su localidad y adquiera un Contrato de mantenimiento Sears.

Guarde este manual y el comprobante de ventas juntos para referencia en el futuro.

Seguridad del horno de microondas

Su seguridad y la seguridad de los demás es muy importante.

Hemos incluido muchos mensajes importantes de seguridad en este manual y en su electrodoméstico. Lea y obedezca siempre todos los mensajes de seguridad.



Este es el símbolo de advertencia de seguridad.

Este símbolo le llama la atención sobre peligros potenciales que pueden ocasionar la muerte o una lesión a usted y a los demás.

Todos los mensajes de seguridad irán a continuación del símbolo de advertencia de seguridad y de la palabra "PELIGRO" o "ADVERTENCIA". Estas palabras significan:

! PELIGRO

Si no sigue las instrucciones de inmediato, usted puede morir o sufrir una lesión grave.

! ADVERTENCIA

Si no sigue las instrucciones, usted puede morir o sufrir una lesión grave.

Todos los mensajes de seguridad le dirán el peligro potencial, le dirán cómo reducir las posibilidades de sufrir una lesión y lo que puede suceder si no se siguen las instrucciones.

INSTRUCCIONES IMPORTANTES DE SEGURIDAD

Cuando se usan aparatos electrodomésticos, deben tomarse precauciones de seguridad, incluyendo las siguientes:

ADVERTENCIA: Para reducir el riesgo de quemaduras, choques eléctricos, fuego, daños personales o exposición a energía excesiva de microondas:

- Lea todas las instrucciones antes de usar el horno de microondas.
- Lea y siga las "PRECAUCIONES PARA EVITAR LA POSIBLE EXPOSICIÓN A ENERGÍA EXCESIVA DE MICROONDAS" específicas que se encuentran en esta sección.
- El horno de microondas debe estar conectado a tierra. El enchufe se debe conectar a un tomacorriente con conexión a tierra. Vea "INSTRUCCIONES PARA CONEXIÓN A TIERRA" en esta sección y en las instrucciones de instalación proporcionadas.
- Instale o ubique el horno de microondas sólo de acuerdo a las instrucciones para instalación proporcionadas.
- Algunos productos tales como huevos enteros con la cáscara y recipientes herméticos - por ejemplo, frascos de vidrio cerrados - pueden explotar y no deben calentarse en el horno de microondas.
- Use el horno de microondas sólo como se describe en este manual. No use productos químicos o vapores corrosivos en el horno de microondas. Este tipo de horno está específicamente diseñado para calentar, cocinar o deshidratar alimentos. Este no está diseñado para uso industrial o de laboratorio.
- Lo mismo que con cualquier aparato electrodoméstico, es necesario supervisar de cerca si lo usan los niños.
- No opere el horno de microondas si el cable o el enchufe están dañados, si el horno no funciona correctamente o si se ha dañado o caído.
- El horno de microondas debe ser revisado y reparado sólo por personal técnico calificado. Llame a una compañía de servicio autorizada para el examen, reparación y ajuste.
- Vea las instrucciones para limpieza de la superficie de la puerta en la sección "Cuidado de su horno de microondas".

GUARDE ESTAS INSTRUCCIONES

INSTRUCCIONES IMPORTANTES DE SEGURIDAD

- Para reducir el riesgo de incendio en la cavidad del horno:
 - No recocine los alimentos. Preste cuidadosa atención al horno si usa papel, plástico u otro material combustible dentro del horno para facilitar la cocción.
 - Quite las ataduras de alambre de las bolsas de papel o plástico antes de ponerlas en el horno.
 - Si algún elemento se prende fuego dentro del horno, mantenga la puerta cerrada, apague el horno y desenchúfelo o corte la corriente con los fusibles o el disyuntor.
 - No use la cavidad para guardar cosas. No deje productos de papel, utensilios de cocina o alimentos en la cavidad cuando no está en uso.
- Se adapta para el uso tanto sobre cocinas a gas como eléctricas.
- Destinado para usarse sobre cocinas de una anchura máxima de 36 pulgadas (91 cm).
- Limpie con frecuencia las salidas de aire de la campana extractora – no permita que se acumule grasa en la campana o en el filtro.
- No hay que introducir alimentos o utensilios de metal demasiado grandes en el horno de microondas debido a que pueden ocasionar un incendio o riesgo de choque eléctrico.
- No limpie con esponjas de lana de acero. Las fibras de la esponja pueden desprenderse y tocar las piezas eléctricas originando un riesgo de choque eléctrico.
- No use artículos de papel mientras la operación del horno está en el modo "PAN BROWN" (Dorado en la sartén).
- No almacene ningún material en el horno cuando no esté en uso, salvo los accesorios recomendados por el fabricante.
- No ponga nada directamente sobre el horno de microondas cuando éste está funcionando.
- Cuando flamee alimentos debajo de la campana, encienda el ventilador.
- Tenga cuidado al limpiar el filtro de la campana extractora. Los agentes de limpieza corrosivos, tales como productos para limpieza de hornos con lejía, pueden dañar el filtro.
- No cubra o bloquee ninguna abertura en el horno de microondas.
- No guarde el horno de microondas a la intemperie. No use el horno de microondas cerca del agua - por ejemplo, cerca del fregadero en la cocina, en un sótano húmedo o cerca de una alberca o lugares similares.
- No sumerja el cable o el enchufe en agua.
- Mantenga el cable alejado de superficies calientes.
- No deje que el cable cuelgue del borde de una mesa o mostrador.
- No monte el horno sobre un fregadero.
- Nunca cubra la parrilla o cualquier otro accesorio con papel metálico. Esto puede recalentar el horno.

GUARDE ESTAS INSTRUCCIONES

PRECAUCIONES PARA EVITAR LA POSIBLE EXPOSICIÓN A ENERGÍA EXCESIVA DE MICROONDAS

- (a) No intente operar este horno con la puerta abierta ya que esto puede resultar en exposición nociva a energía de microondas. Es importante no forzar o tocar las trabas de seguridad.
- (b) No ponga ningún objeto entre la cara frontal del horno y la puerta y no permita que se acumule suciedad o residuos de limpiadores en las superficies de sellado.
- (c) No opere el horno si éste está dañado. Es particularmente importante que la puerta del horno cierre correctamente y que no haya daño en:
 - (1) La puerta (torcida),
 - (2) Bisagras y seguros (rotos o flojos),
 - (3) Sellado de la puerta y superficies de sellado.
- (d) El horno no debe ser ajustado o reparado por nadie, excepto personal de servicio calificado.

REQUERIMIENTOS ELÉCTRICOS

Cumpla con todos los códigos y órdenes vigentes. Se requiere un suministro de electricidad de 120 voltios, 60 Hz, únicamente CA de 15- ó 20- amperios a fusible. (Se recomienda un fusible de acción retardada o un disyuntor.) Se recomienda que se use un circuito dedicado exclusivamente para este aparato electrodoméstico.

⚠ ADVERTENCIA



Peligro de Choque Eléctrico

Conecte a un contacto de pared de conexión a tierra de 3 terminales.

No quite el terminal de conexión a tierra.

No use un adaptador.

No use un cable eléctrico de extensión.

No seguir estas instrucciones puede ocasionar la muerte, incendio o choque eléctrico.

INSTRUCCIONES PARA LA CONEXIÓN A TIERRA

● Para todos los aparatos electrodomésticos de conexión con cable:

El horno de microondas debe estar conectado a tierra. En caso de que se produzca un corto circuito, la conexión a tierra reduce el riesgo de choque eléctrico por medio de un alambre de escape para la corriente eléctrica. El horno de microondas está equipado con un cable que tiene un alambre de conexión a tierra con un enchufe para conexión a tierra. El enchufe debe estar conectado a un tomacorriente que está correctamente instalado y conectado a tierra.

ADVERTENCIA: El uso incorrecto de la conexión a tierra puede resultar en riesgo de choque eléctrico.

Consulte con un electricista o técnico calificado si las instrucciones para conexión a tierra no se entienden bien o si hay alguna duda con respecto a la correcta conexión a tierra del horno de microondas.

No use un cable de extensión. Si el cable es muy corto, haga que un electricista o técnico calificado instale un tomacorriente cerca del horno de microondas.

● Para aparatos electrodomésticos de conexión permanente:

Este aparato electrodoméstico debe conectarse a un sistema de alambrado metálico permanente con conexión a tierra o un conductor de conexión a tierra para equipos debe funcionar con los conductores del circuito y estar conectado a la terminal o conductor de la conexión a tierra para equipos en el aparato electrodoméstico.

GUARDE ESTAS INSTRUCCIONES

Instrucciones para la instalación

CÓMO SACAR Y VOLVER A COLOCAR LA COMBINACIÓN DE MICROONDAS CAMPANA

⚠ ADVERTENCIA

Peligro de Peso Excesivo

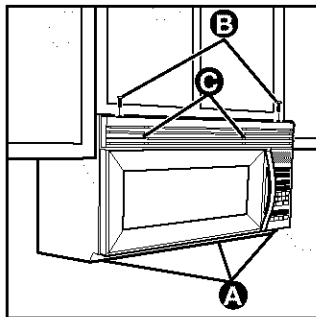
Use dos o más personas para mover e instalar el horno de microondas.

No seguir esta instrucción puede ocasionar una lesión en la espalda u otro tipo de lesiones.

Si necesita desmontar su combinación Microondas Campana por algún motivo, siga estos sencillos pasos:

Para desmontar:

1. Desenchufe el horno de microondas o desconecte el suministro de energía.
2. Quite los filtros y la rejilla de ventilación.

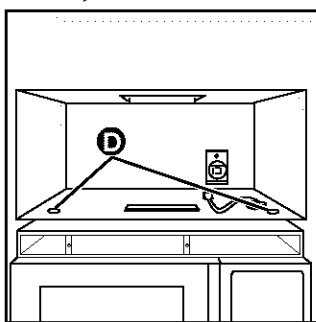


- Si los filtros **A** están instalados, presione hacia dentro, empuje la lengüeta y deslice el filtro a la orilla para quitarlo.

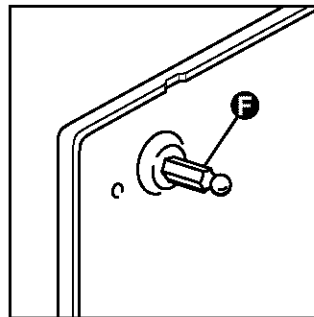
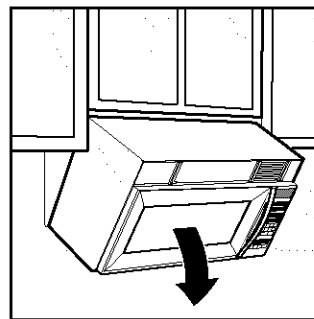
- Quite los dos tornillos **B** de la parte superior del gabinete del horno de microondas (los tornillos ubicados más cerca de las esquinas del frente). No quite los tornillos que se encuentran más hacia el centro del gabinete.

- Quite la rejilla de ventilación **C**. Ponga a un lado los tornillos y la rejilla.

3. Después de vaciar completamente el interior del horno, incluyendo el plato giratorio y el soporte, selle la puerta con cinta adhesiva. Quite los dos tornillos **D** que aseguran al horno de microondas a la parte superior del gabinete.



4. Con un par de guantes puestos, tome los soportes del horno de microondas **E** y jale firmemente el horno de microondas hacia adelante y abajo para liberar el gabinete del horno de microondas de los pernos de seguridad de la placa donde se monta **F**.



5. Tome el gabinete del horno de microondas. Gire el horno de microondas hacia abajo. (Tenga cuidado para evitar que la puerta se abra de golpe.) Levante las lengüetas de soporte **G** en la parte de abajo de la placa donde se monta. Ponga el horno de microondas en una superficie protegida.



CÓMO SACAR Y VOLVER A COLOCAR LA COMBINACIÓN DE MICROONDAS CAMPANA (CONT.)

Para volver a colocar:

1. Levante cuidadosamente el horno de microondas y cuélguelo en las lengüetas de soporte ubicadas en la parte inferior de la plancha de montaje.
2. Gire hacia abajo la parte frontal del gabinete para el horno de microondas. Pase el cable eléctrico a través del orificio del cable eléctrico localizado en la parte inferior del gabinete superior.
3. Gire el horno de microondas hacia el gabinete. Empuje el horno contra la placa de montaje hasta que el pestillo de sujeción se acople en el gabinete.
4. Reponga los dos pernos que sirven para asegurar el horno de microondas al gabinete superior.
5. Retire la cinta adhesiva de la puerta y vuelva a colocar en su sitio la bandeja giratoria y el soporte.
6. Reemplace la rejilla de ventilación.
7. Reponga los dos tornillos en la parte superior del gabinete para el horno de microondas (los tornillos situados más próximos a las esquinas frontales).
8. Si se instalaron filtros, reemplácelos (de ser necesario, vea “Cómo instalar y cuidar los filtros” en la sección “Cómo cuidar su horno de microondas”).
9. Enchufe el horno de microondas o conecte nuevamente el suministro eléctrico.

Conozca su horno de microondas

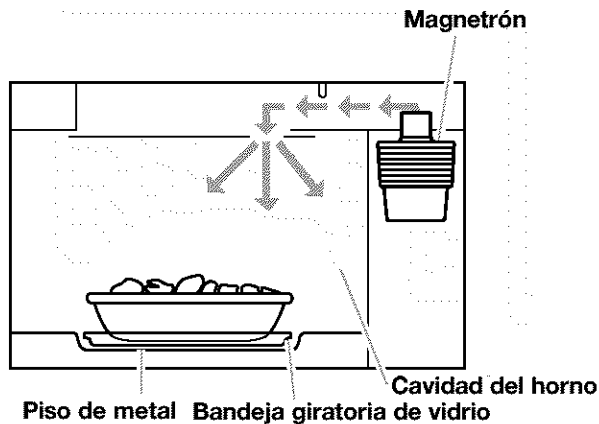
Esta sección habla de los conceptos de cocción a microondas. También le muestra los elementos básicos que usted debe conocer para operar el horno de microondas. Por favor lea esta información antes de usar su horno.

CÓMO FUNCIONA SU HORNO DE MICROONDAS

La energía de microondas no produce calor. Esta energía hace que los alimentos generen calor y éste a su vez hace que los alimentos se cocinen.

Las microondas son como las ondas de TV, radio o luz. Usted no las puede ver, pero puede ver lo que hacen.

Un magnetrón produce las microondas en un horno de microondas. Las microondas se mueven dentro del horno donde se ponen en contacto con los alimentos cuando giran sobre la bandeja giratoria.



La bandeja giratoria de vidrio de su horno de microondas permite que las microondas pasen. Luego, estas rebotan en el piso de metal, atraviesan la bandeja giratoria de vidrio y son absorbidas por los alimentos.

Las microondas pasan a través de la mayoría de los tipos de vidrio, papel y plástico sin calentarlos, de manera que el alimento absorbe la energía. Las microondas rebotan en los recipientes de metal, por lo tanto los alimentos no absorben la energía.

Cómo obtener los óptimos resultados de cocción

- **Siempre cocine los alimentos** por el tiempo más corto recomendado. Verifique cómo se están cocinando los alimentos.
- **Para ayudar a asegurarse de que los alimentos están cocinados de forma pareja, revuelva, rote o redistribuya** los alimentos que se están cocinando a la mitad del tiempo de cocción.
- **Si usted no tiene una tapa para un plato**, use papel encerado o toallas de papel aprobadas para uso con microondas o película de plástico. Recuerde doblar una esquina de la película de plástico de $\frac{1}{4}$ a $\frac{1}{2}$ pulg (6.35 a 12.7 mm) para que el vapor salga durante la cocción o el calentamiento.

INTERFERENCIA ELECTROMAGNÉTICA

El uso de su horno de microondas puede causar interferencia con su radio, TV o equipos similares. Si hay interferencia, usted puede reducirla o eliminarla:

- **Limpiando** la puerta y las superficies sellantes del horno.

- **Ajustando** la antena receptora de radio o televisión.
- **Moviendo** la radio/televisión para que estén alejadas del horno de microondas.
- **Enchufando** el horno de microondas en otro tomacorriente para que el horno de microondas y el radio/TV estén en distintos circuitos eléctricos.

CÓMO PROBAR SU HORNO DE MICROONDAS

Para probar el horno ponga 1 taza (250 mL) aproximadamente de agua fría en un recipiente de vidrio dentro del horno. Cierre la puerta. Verifique

que esté asegurada. Cocine a 100% de intensidad durante 2 minutos. Cuando el tiempo se cumple, el agua debe estar caliente.

CÓMO PROBAR SU VAJILLA O SUS UTENSILIOS DE COCINA

Pruebe la vajilla de mesa o de cocina antes de usarla. Para saber si un plato se puede usar en forma segura, colóquelo dentro del horno junto a 1 taza (250 mL) con agua. Cocine a 100% de intensidad durante un minuto. **Si el plato se calienta y el agua está fría, no lo use.** Algunos platos (melamina, alguna vajilla cerámica, etc.) absorben energía

de microondas, calentándose demasiado para agarrarlos y hace más lentos los tiempos de cocción. La cocción en recipientes de metal que no están diseñados para uso con microondas puede dañar el horno, lo mismo que recipientes con metal escondido (ataduras de alambre revestido, revestimiento de aluminio, broches metálicos, esmalte o adornos metálicos).

CONSEJOS PARA LA OPERACIÓN

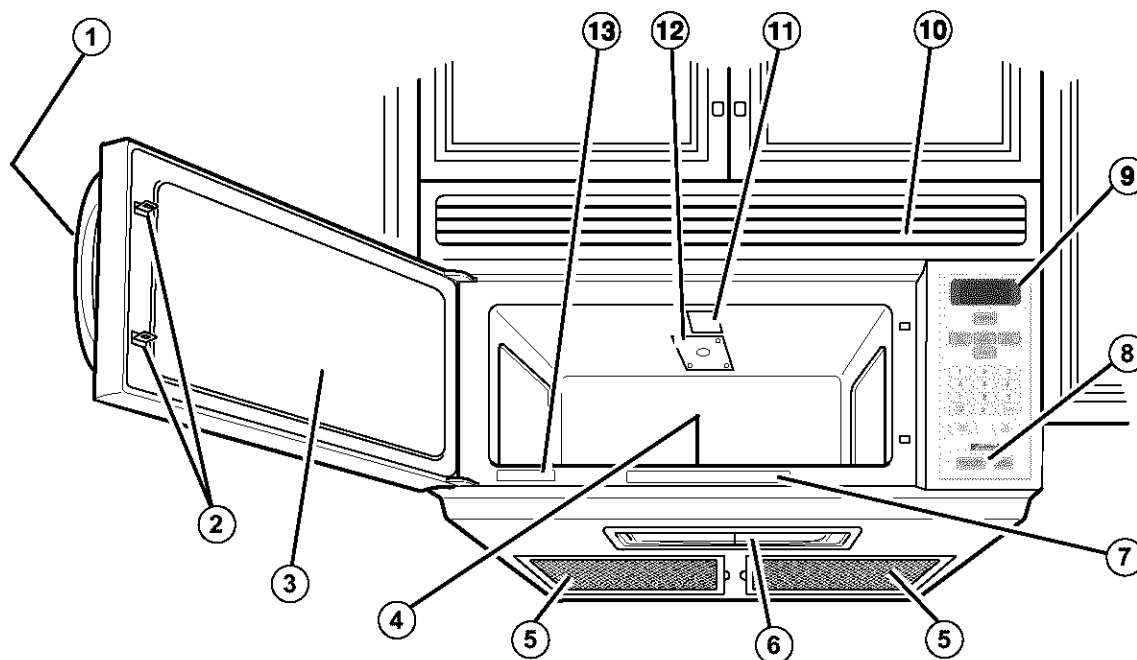
- **Nunca** se apoye sobre la puerta o permita que los niños se columpien con ella mientras está abierta.
- **Use guantes para horno.** La energía de microondas no calienta los recipientes, pero el calor de los alimentos puede hacer que el recipiente se caliente.
- **No** use periódicos u otros papeles impresos en el horno.
- **No** seque flores, frutas, hierbas, madera, papel, calabazas o ropa en el horno.
- **No** encienda el horno cuando está vacío. La duración del producto se puede acortar. Si practica con la programación del horno, **coloque** un recipiente con agua en el horno. Es normal que la puerta parezca ondulada cuando el horno ha estado funcionando por un tiempo.
- **No** trate de fundir parafina en el horno. La parafina no se fundirá en un horno de microondas porque permite que las microondas la atraviesen.
- **No** opere el horno de microondas a menos que la bandeja giratoria esté asegurada en su lugar y pueda rotar con libertad. La bandeja giratoria puede rotar en ambas direcciones. **Asegúrese** que el lado correcto de la bandeja giratoria está hacia arriba. **Maneje su bandeja giratoria con cuidado** para sacarla del horno para evitar que se rompa. Si su bandeja giratoria se quiebra o se astilla, llame a su distribuidor para reemplazarla.
- **Cuando usa un plato para dorar alimentos,** el fondo del plato debe quedar a una distancia de por lo menos $\frac{3}{8}$ de pulg (5 mm) por arriba de la bandeja giratoria. Siga las instrucciones provistas con el plato para dorar alimentos.
- **Nunca cocine o caliente un huevo entero con la cáscara.** La acumulación de vapor en el huevo entero puede hacer que explote y posiblemente el horno se dañe. **Corte** los huevos duros antes de calentarlos. En raras ocasiones ha ocurrido que los huevos poché han explotado. **Cubra** los huevos poché y **deje reposar** durante un minuto antes de cortarlos.
- **Para óptimos resultados, revuelva los líquidos varias veces antes de calentar o recalentar.** Los líquidos calentados en algunos recipientes (especialmente recipientes con forma cilíndrica) se pueden calentar excesivamente. El líquido puede salpicar haciendo un ruido fuerte durante o después del calentamiento o cuando se agregan ingredientes (gránulos de café, bolsitas de té, etc.). Esto puede dañar el horno.
- **Las microondas** pueden no llegar al centro de un asado. El calor se extiende al centro desde la parte de afuera cocinada, lo mismo que cuando se cocina en un horno común. Esta es una de las razones para dejar que algunos alimentos (por ejemplo asado o papas horneadas) reposen por un tiempo luego de cocinar, o para revolver algunos alimentos mientras se están cocinando.
- **No haga frituras** en el horno. La vajilla para cocinar a microondas no es apropiada y es difícil mantener las temperaturas apropiadas para freír.
- **No recocine las papas.** Al final del tiempo de cocción recomendado, las papas deben estar ligeramente firmes porque se seguirán cocinando durante el tiempo de reposo. **Luego de cocinar a microondas, déjelas reposar por 5 minutos.** Éstas se terminarán de cocinar durante el tiempo de reposo.

CONEXIÓN ELÉCTRICA

Los tiempos de cocción serán prolongados en caso de que **su suministro de energía eléctrica o el voltaje de salida** sea menor de 110 voltios.

Haga que un electricista calificado compruebe su sistema eléctrico.

CARACTERÍSTICAS DEL HORNO DE MICROONDAS



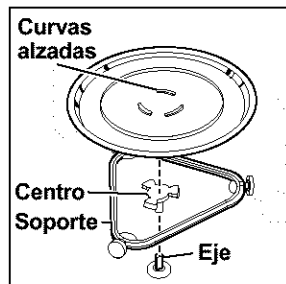
Su horno de microondas ha sido diseñado para que su experiencia culinaria sea de lo más amena y productiva posible. Para ayudarle a familiarizarse con rapidez, a continuación tiene una lista de las características básicas del horno:

1. **Manija de la puerta.** Jálela para abrir la puerta.
2. **Sistema de traba de seguridad de la puerta.** El horno no funcionará a menos que la puerta esté bien cerrada.
3. **Ventana con protección metálica.** La protección impide el escape de las microondas. Ha sido diseñada como pantalla para permitirle ver los alimentos mientras éstos se cocinan.
4. **Bandeja giratoria de vidrio** (Parte No. 4393751) (no se ilustra). Está incluida en la cavidad del horno - vea las instrucciones para la instalación que se ilustran a continuación. Esta bandeja giratoria hace girar los alimentos a medida que éstos se cocinan para lograr una cocción más uniforme. Debe estar en el horno durante el funcionamiento para lograr óptimos resultados de cocción. La bandeja giratoria está empotrada en la cavidad del piso para darle más espacio para cocinar y obtener mejores resultados de cocción.

5. **Filtros para grasa.** Están incluidos en la cavidad del horno.
6. **Luz de la superficie de cocción/mostrador.** Enciéndala para alumbrar la superficie de cocción o el mostrador o enciéndala como luz nocturna.
7. **Etiqueta con guía para cocinar.** Úsela como consulta rápida para los ajustes de Auto Cook (cocción automática), Auto Reheat (recalentado automático), Auto Defrost (descongelación veloz) y Popcorn (palomitas de maíz).
8. **Interruptores de las luces del extractor de aire y de la superficie de cocción.**
9. **Panel de control.** Toque los botones que están en este panel para realizar todas las funciones.
10. **Rejilla de ventilación.**
11. **Luz de la cavidad del horno.**
12. **Cubierta de admisión de microondas.**
13. **Placa con el número del modelo y de la serie.**

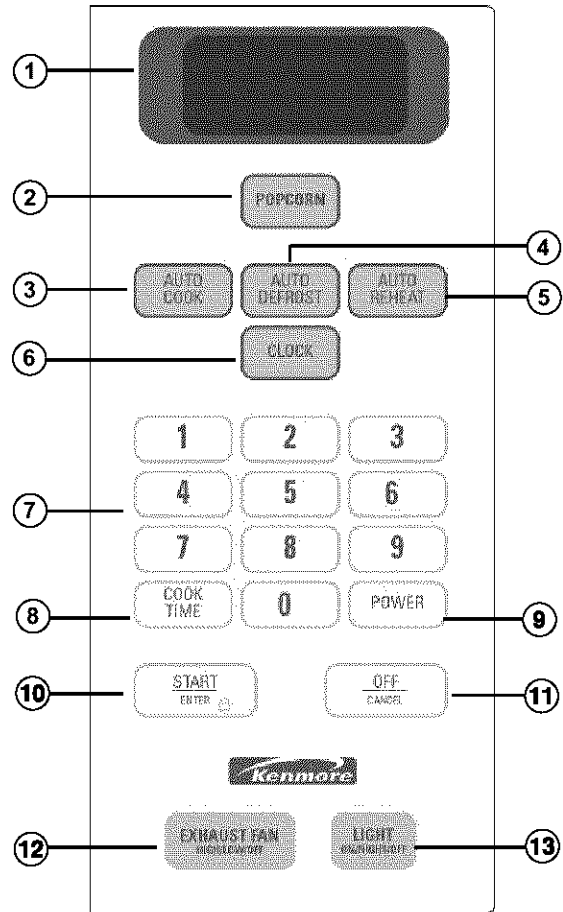
Para instalar la bandeja giratoria y el soporte:

- Saque la cinta adhesiva del eje (Parte No. 4393754).
- Coloque el soporte (Parte No. 4393752) en el fondo de la cavidad.
- Coloque la bandeja giratoria en el eje. Asegúrese de que las curvas alzadas, ubicadas en el centro del fondo de la bandeja giratoria, estén entre las tres protuberancias del eje.
- Los rodillos (Parte No. 4393753) en el soporte encajan dentro de la ranura en la parte inferior de la bandeja giratoria.
- La bandeja giratoria gira tanto a la izquierda como a la derecha. Esto es normal.



PARTES DEL PANEL DE CONTROL

1. **Pantalla.** Esta pantalla incluye un reloj e indicadores que le permiten saber la hora, la programación del tiempo de cocción y las funciones de cocción que usted elige.
2. **POPCORN (Palomitas de maíz).** Toque este botón para preparar palomitas de maíz.
3. **AUTO COOK (Cocción automática).** Toque este botón para cocinar alimentos especiales para microondas sin necesidad de introducir tiempos e intensidades de cocción.
4. **AUTO DEFROST (Descongelado automático).** Toque este botón para descongelar alimentos sin necesidad de introducir tiempos e intensidades de cocción.
5. **AUTO REHEAT (Recalentado automático).** Toque este botón para recalentar alimentos especiales para microondas sin necesidad de introducir tiempos e intensidades de cocción.
6. **CLOCK (Reloj).** Toque este botón para introducir la hora correcta.
7. **Botones numéricos.** Toque los botones numéricos para introducir tiempos de cocción, intensidades de cocción, cantidades, pesos o categorías de alimentos.
8. **COOK TIME (Tiempo de cocción).** Toque este botón seguido por los botones numéricos para programar un tiempo de cocción.
9. **POWER (Intensidad).** Toque este botón después de que el tiempo de cocción haya sido establecido, seguido de un botón numérico para establecer la cantidad de energía de microondas liberadas para cocinar los alimentos. También presione este botón para aumentar o disminuir un tiempo de cocción preestablecido.
10. **START/ENTER (Encender/introducir).** Toque este botón para iniciar una función.
11. **OFF/CANCEL (Apagar/cancelar).** Toque este botón para borrar una instrucción incorrecta, cancelar un programa durante la cocción o para borrar la pantalla.
12. **EXHAUST FAN HIGH/LOW/OFF. (Extractor de aire -- alto/bajo/apagado).** Toque este botón para encender el extractor a velocidad alta o baja y para apagar el extractor.
13. **LIGHT ON/NIGHT/OFF (Luz -- encendido/noche/apagado de luz y luz nocturna).** Toque este botón para encender o apagar la luz y la luz nocturna.



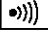
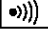
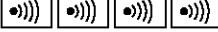
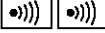

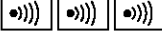
NOTAS:

- Si introdujo todos los valores para una función pero no ha tocado START/ENTER en 5 segundos, aparecerá el indicador START? (INICIAR?).
- Si abre la puerta mientras el horno está funcionando y luego la cierra aparecerá el indicador START?. Toque START/ENTER para continuar.
- Si elige una función pero no toca otro botón de comando en un minuto, la pantalla regresará a la hora del día y tendrá que empezar de nuevo.

PARTES DEL PANEL DE CONTROL (CONT.)

Señales audibles

Su horno de microondas emite señales audibles que le pueden guiar al programar o utilizar su horno:

-  Un tono de programación sonará cada vez que toque un botón.
-  Un tono largo indica que terminó la cuenta regresiva del cronómetro de la cocina.
-  Cuatro tonos indican que terminó el ciclo de cocción.
-  Dos tonos cortos y rápidos suenan cada minuto durante los primeros 15 minutos después de la señal de fin de ciclo de cocción como recordatorio si no se han sacado los alimentos del horno.
-  Dos tonos cortos y rápidos sonarán al entrar y salir de una función no visible (por ejemplo, seguro para niños) o la hora del día.
-  Sonarán tres tonos si hizo una entrada errónea.

Para desactivar el sonido de programación:

TOQUE



y sosténgalo durante 4 segundos

Para activar nuevamente el sonido de programación:

TOQUE



y sosténgalo durante 4 segundos

Para desactivar todas las señales audibles, excepto la de fin del cronómetro:

TOQUE



y sosténgalo durante 4 segundos

Para volver a activar las señales:

TOQUE



y sosténgalo durante 4 segundos

NOTA: Dos sonidos se oirán cuando se enciendan o se apaguen las señales audibles. Esto funciona solamente cuando el horno no está activando ninguna otra función.

PARTES DEL PANEL DE CONTROL (CONT.)

Cómo interrumpir la cocción

Puede detener el funcionamiento del horno durante un ciclo si abre la puerta. El horno deja de calentar y se detiene el extractor pero la luz permanece encendida. Para reiniciar la cocción cierre la puerta y

TOQUE



Si no desea continuar cocinando:

- Cierre la puerta y se apagará la luz.

○

• TOQUE



NOTA: Antes de programar una función toque OFF/CANCEL para asegurarse de que no esté activa ninguna otra función.

Cómo utilizar el seguro para niños


El seguro para niños bloquea el panel de control para que los niños no puedan utilizar el horno de microondas si usted no desea que lo hagan. Esto funciona solamente cuando el horno no está activando ninguna otra función.

Para bloquear el panel de control:

TOQUE



y sosténgalo durante 4 segundos

Se escucharán dos tonos y  aparecerá en la pantalla. Cuando se haya bloqueado el panel, se escucharán 3 tonos y aparecerá LOCK (BLOQUEAR) cuando toque cualesquiera de los botones a excepción de EXHAUST FAN y LIGHT, los botones numéricos 1 y 2 y START/ENTER.

Para desbloquear el panel de control:

TOQUE



y sosténgalo durante 4 segundos

Se escucharán dos tonos y  se eliminará de la pantalla.

CÓMO UTILIZAR EL EXTRACTOR DE AIRE

El botón en la parte inferior izquierda del panel de control sirve para manejar el extractor de 2 velocidades.

1. Seleccione la velocidad del extractor.

NOTA: Si la temperatura procedente de las hornillas o la superficie para preparar los alimentos sube demasiado, debajo del horno, el extractor de aire en el conducto de ventilación se encenderá automáticamente en estado HIGH (Alto) para proteger el horno. **El extractor de aire puede seguir trabajando hasta por una hora para enfriar el horno. Cuando esto suceda, el extractor no podrá apagarse con el botón EXHAUST FAN.**

TOQUE



(una vez para velocidad alta y dos veces para velocidad baja)

2. Apague el extractor de aire cuando lo desee.

TOQUE



(1 o 2 veces más, dependiendo de la velocidad del extractor de aire)

CÓMO UTILIZAR LA LUZ PARA LA SUPERFICIE DE ALIMENTOS/ENCIMERA

El botón en la parte inferior derecha del panel de control regula la luz para la superficie de preparación de alimentos/encimera.

1. Encienda la luz.

TOQUE



(una vez para luz regular y dos veces para luz nocturna)

2. Apague la luz cuando lo desee.

TOQUE



(1 ó 2 veces, dependiendo de la programación de la luz)

CÓMO PROGRAMAR EL RELOJ

Cuando conecte por primera vez su horno de microondas o después de una falla eléctrica, la pantalla desplegará el signo “:” de manera intermitente. Si no se programa una hora, el signo “:”, destellará hasta que presione algún botón.

NOTAS:

- Si selecciona una hora no válida y toca CLOCK, se escucharán 3 tonos. Introduzca la hora correcta.
- Si usted toca OFF/CANCEL al programar el reloj, la pantalla desplegará la última hora que se programó del día.
- Para apagar el reloj, toque CLOCK, el número 0 y CLOCK nuevamente, la hora que se había programado desaparecerá y aparecerá el signo “:” en la pantalla.

1. Toque CLOCK.

TOQUE

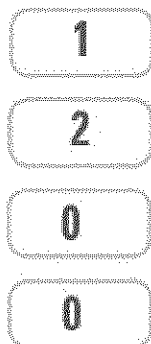


USTED VE



2. Introduzca la hora del día.
Ejemplo para las 12:00:

TOQUE

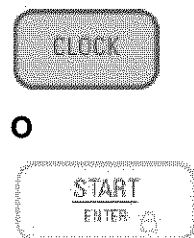


USTED VE



3. Termine la programación.

TOQUE



USTED VE



CÓMO CAMBIAR LOS TIEMPOS PREFIJADOS DE COCCIÓN

Si el tiempo de cocción preestablecido es demasiado largo o corto, puede aumentarlo o disminuirlo después de seleccionar AUTO COOK, AUTO REHEAT o AUTO DEFROST. Usted sólo puede cambiar el tiempo de cocción antes de que inicie la cocción.

Por ejemplo, en AUTO REHEAT, después de seleccionar el tipo de alimento e introducir la cantidad:

Para prolongar el tiempo de cocción:

TOQUE



una vez

USTED VE



(ejemplo para recalentar automáticamente)

Para reducir el tiempo de cocción:

TOQUE



dos veces

USTED VE



Para restablecer el tiempo de cocción original:

TOQUE



tres veces

USTED VE



Cómo utilizar su horno de microondas

Esta sección le proporciona las instrucciones para operar cada función. Por favor, lea cuidadosamente estas instrucciones.

CÓMO COCINAR A UN NIVEL ALTO DE ENERGÍA

1. Coloque la comida dentro del horno y cierre la puerta.

2. Toque COOK TIME.

TOQUE



USTED VE



3. Introduzca el tiempo de cocción.
Ejemplo para 1 minuto, 30 segundos:

TOQUE



USTED VE



4. Encienda el horno.

TOQUE



USTED VE



Al terminar el tiempo de cocción:

USTED VE



(se escucharán cuatro sonidos)

Cómo cambiar las instrucciones

Puede cambiar el tiempo de cocción en cualquier momento durante la cocción si repite los pasos 2, 3 y 4.

COCCIÓN A DISTINTAS INTENSIDADES

Para obtener óptimos resultados, algunas recetas necesitan distintas intensidades de cocción. Cuanto más baja es la intensidad, más lenta es la cocción. Cada botón numerado también representa un porcentaje distinto de intensidad de cocción. Muchas recetas de libros de cocina para microondas le indican mediante número, porcentaje o nombre, la intensidad de cocción que debe utilizar.

El siguiente cuadro le da el porcentaje de intensidad de cocción que cada botón numerado representa y el nombre de la intensidad de cocción que por lo general se utiliza. También le indica cuándo usar cada intensidad de cocción. Siga las instrucciones de la receta o del paquete de alimentos si dispone de ellas.

NOTA: Consulte un libro de cocina confiable para obtener los tiempos de cocción.

INTENSIDAD DE COCCIÓN	NOMBRE	CUÁNDO USAR
10 = 100% de intensidad total (automática)	Alta	<ul style="list-style-type: none"> ● Calentar rápidamente alimentos preparados y con alto contenido de agua, como sopas y bebidas
9 = 90% de intensidad total		<ul style="list-style-type: none"> ● Cocinar pequeños trozos tiernos de carne, carne molida, trozos de ave, filetes de pescado y la mayoría de las verduras ● Calentar sopas cremosas
8 = 80% de intensidad total		<ul style="list-style-type: none"> ● Calentar arroz, pasta o guisados ● Cocinar y calentar alimentos que necesitan una intensidad de cocción menor que la alta (por ejemplo, pescado entero y rollo de carne molida)
7 = 70% de intensidad total	Media-Alta	<ul style="list-style-type: none"> ● Recalentar una sola porción de alimentos
6 = 60% de intensidad total		<ul style="list-style-type: none"> ● Cocinar alimentos delicados como platos con queso y huevo, budines y natillas ● Cocinar guisados que no pueden revolverse, como la lasaña
5 = 50% de intensidad total	Media	<ul style="list-style-type: none"> ● Cocinar jamón, ave entera y cazuelas ● Cocción lenta de estofados
4 = 40% de intensidad total		<ul style="list-style-type: none"> ● Derretir chocolate ● Calentar pan y pasteles
3 = 30% de intensidad total	Media-Baja, Descongelar	<ul style="list-style-type: none"> ● Descongelar alimentos como panes, pescado, carnes, aves y alimentos precocidos
2 = 20% de intensidad total		<ul style="list-style-type: none"> ● Ablandar mantequilla, queso y helado
1 = 10% de intensidad total	Baja	<ul style="list-style-type: none"> ● Colocar las frutas a temperatura ambiente

NOTA: Una vez que haya ingresado el tiempo de cocción, usted puede usar también el botón POWER como un segundo temporizador de cocina ingresando "0" para la intensidad de cocción. El horno hará la cuenta regresiva del tiempo de cocción que usted fija sin cocinar.

COCCIÓN A DISTINTAS INTENSIDADES (CONT.)

1. Coloque su comida en el horno y cierre la puerta.

2. Toque COOK TIME.

TOQUE



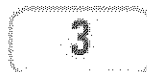
USTED VE



3. Introduzca el tiempo de cocción.

Por ejemplo, para 7 minutos, 30 segundos:

TOQUE



USTED VE

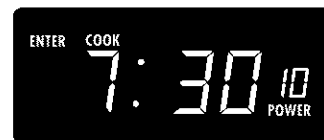


4. Establezca el nivel de energía de cocción.

TOQUE



USTED VE



Por ejemplo, para un nivel de energía de cocción del 50%:

TOQUE



0



USTED VE



(repita esta operación hasta que aparezca el nivel de energía de cocción deseado)

COCCIÓN A DISTINTAS INTENSIDADES (CONT.)

5. Encienda el horno.

TOQUE



USTED VE



Al terminar el tiempo de cocción:

USTED VE



(se escucharán cuatro tonos)

Cómo cambiar las instrucciones

Puede cambiar el tiempo o la intensidad de cocción en cualquier momento si repite los pasos 2, 3 y/ó 4 y 5.

CÓMO COCINAR POR ETAPAS

Para mejores resultados, algunas recetas requieren una intensidad de cocción para un determinado lapso de tiempo y otra intensidad de cocción para otro lapso de tiempo. Puede programar su horno para cambiar de un nivel de intensidad a otro automáticamente hasta tres pasos diferentes.

Puede programar sus funciones de cocción en cualquier orden. Sin embargo, si utiliza AUTO DEFROST, éste deberá ser el primer paso a realizar.

1. Coloque la comida en el horno y cierre la puerta.

2. Toque COOK TIME.

TOQUE



USTED VE



3. Introduzca el tiempo de cocción para el primer paso.

Por ejemplo, para 7 minutos, 30 segundos:

TOQUE



USTED VE



CÓMO COCINAR POR ETAPAS (CONT.)

4. Establezca la intensidad de cocción para el primer paso.

TOQUE



USTED VE



Ejemplo, para un nivel de intensidad de cocción del 50%:

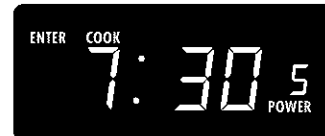
TOQUE



0



USTED VE



(repita la operación hasta que aparezca la energía de cocción deseada)

5. Repita los pasos 2, 3 y 4 para programar el tiempo y la intensidad de cocción para cada paso adicional.

6. Encienda el horno.

TOQUE



USTED VE



Después de haber completado el primer paso, el(los) siguiente(s) se contará(n) de manera regresiva.

Al terminar el tiempo de cocción:

(el primer paso si cocina en dos pasos)

USTED VE



(se escucharán 4 tonos)

Cómo cambiar las instrucciones

Puede cambiar los tiempos de cocción o los niveles de intensidad de un paso en cualquier momento después de que se inicie el proceso, si repite los pasos 2, 3 y/o 4 y 5.

CÓMO UTILIZAR AUTO COOK (COCCIÓN AUTOMÁTICA)

Puede cocinar alimentos preparados para hornos de microondas seleccionando simplemente una cantidad y categoría. AUTO COOK tiene tiempos y niveles de intensidad de cocción preestablecidos para 7 categorías (vea el esquema siguiente).

Para utilizar AUTO COOK, siga estos pasos:

1. Toque



una vez

USTED
VE



2. Toque AUTO COOK de 1 a 7 veces para seleccionar el tipo de alimento.



una vez

O

Toque un número del panel para seleccionar el tipo de alimento.



Ejemplo para
arroz

USTED
VE



Ejemplo para
arroz



3. Toque un número del panel para introducir la cantidad.



Ejemplo para
1 taza (250 mL)

USTED
VE



Ejemplo para
1 taza (250 mL)

4. Toque



USTED
VE




(la cuenta
regresiva
puede variar)

NOTAS:

- Si no introduce una cantidad en 2 segundos, AUTO COOK le solicitará que elija una cantidad. Tendrá 1 minuto para introducir la cantidad y para tocar START/ENTER. De no ser así, AUTO COOK se cancelará.
- Si toca AUTO COOK 8 veces, la pantalla volverá al programa para arroz.
- Si necesita más o menos tiempo de cocción, no toque el botón AUTO COOK nuevamente. Toque el botón POWER antes de tocar START/ENTER. (Vea "Cómo cambiar los tiempos prefijados de cocción" en la sección "Conozca su horno de microondas").
- Cuando cocine tocino, tenga en cuenta que las diferencias de grasa, carne, espesor y procesos de curado afectarán la cocción del tocino. Generalmente los trozos regulares de tocino promedian aproximadamente 16 rebanadas por libra (454 g).

CÓMO UTILIZAR AUTO COOK (COCCIÓN AUTOMÁTICA) (CONT.)

Este tabla le muestra cómo seleccionar un tipo de alimento y las cantidades que puede elegir para cada tipo.

ALIMENTO	TOQUE AUTO COOK* 	TOQUE EL NÚMERO DEL PANEL	CANTIDADES QUE PUEDE ELEGIR
Arroz	1 vez	1	0.5, 1, 1.5 ó 2 tazas** (125 mL, 250 mL, 375 mL o 500 mL)
Verduras frescas	2 veces	2	1 a 4 tazas (250 mL a 1 L)
Verduras congeladas	3 veces	3	1 a 4 tazas (250 mL a 1 L)
Verduras enlatadas	4 veces	4	1 a 4 tazas (250 mL a 1 L)
Tocino	5 veces	5	1 a 6 piezas, espesor normal
Comidas congeladas	6 veces	6	10 a 12 oz. o 20 a 21 oz. *** (284 a 340 g o 567 a 595 g)
Papas al horno	7 veces	7	1 a 4 papas, 10 a 13 oz. c/u (284 a 369 g)

* Debe tocar AUTO COOK una vez antes de elegir el tipo de comida.

** Programe 0.5 taza presionando "0" y "5" o sólo "0" o sólo "5". Programe 1 taza presionando "1" y "0" o sólo "1". Programe 1.5 taza presionando "1" y "5". Programe 2 tazas presionando "2" y "0" o sólo "2".

*** Programe 10 a 12 oz. presionando "1". Programe 20 a 21 oz. presionando "2".

CÓMO UTILIZAR AUTO REHEAT (RECALENTADO AUTOMÁTICO)

Puede volver a calentar alimentos preparados para hornos de microondas simplemente seleccionando una cantidad y categoría. AUTO REHEAT tiene tiempos y niveles de intensidad de cocción preestablecidos para 5 categorías (vea la tabla siguiente).

Para utilizar AUTO REHEAT, siga estos pasos:

1. Toque



1 vez

USTED
VE



2. Toque AUTO REHEAT de 1 a 5 veces para elegir el tipo de comida.



Ejemplo para rebanada de pizza

1 vez

O

Toque un número del panel para elegir el tipo de comida.



Ejemplo para rebanada de pizza

USTED
VE



Ejemplo para rebanada de pizza



3. Toque un número del panel para introducir la cantidad.



Ejemplo para 1 rebanada

USTED
VE



Ejemplo para 1 rebanada

4. Toque



USTED
VE



(la cuenta regresiva puede variar)

NOTAS:

- Si no introduce una cantidad en 2 segundos, AUTO REHEAT le solicitará que elija una cantidad. Tendrá 1 minuto para introducir una cantidad y tocar START/ENTER. De no ser así, AUTO REHEAT se cancelará.
- Si toca AUTO REHEAT 6 veces, la pantalla volverá al programa para rebanada de pizza.
- Si necesita más, o menos tiempo de cocción, no toque AUTO REHEAT nuevamente. Toque el botón de POWER antes de tocar START/ENTER. (Vea "Cómo cambiar los tiempos prefijados de cocción" en la sección "Conozca su horno de microondas").
- Cuando caliente nuevamente un muffin o bagel grande (4 onzas [113 gr]), utilice el programa para 2 piezas. El programa para 1 pieza calienta 1 muffin o bagel de tamaño regular, o 2 panes de cenar pequeños.

Esta tabla le mostrará cómo elegir el tipo de comida y las cantidades que puede seleccionar para cada tipo.

COMIDA	TOQUE AUTO REHEAT*	TOQUE UN NÚMERO DEL PANEL	CANTIDADES QUE PUEDE ELEGIR
Rebanada de pizza	1 vez	1	1 a 3 rebanadas, 5 onzas (142 gr) cada una
Sopa/Salsa	2 veces	2	1 a 4 tazas (250 mL a 1L)
Guisados	3 veces	3	1 a 4 tazas (250 mL a 1L)
Alimentos horneados	4 veces	4	1 a 6 piezas, 2 onzas (57 g) cada una
Plato (de comida)	5 veces	5	1 servida (o 1 plato)

* Debe tocar AUTO REHEAT una vez antes de elegir el tipo de comida.

CÓMO UTILIZAR AUTO DEFROST (DESCONGELADO AUTOMÁTICO)

Puede descongelar alimentos si elige una categoría y establece un peso. AUTO DEFROST tiene tiempos y niveles de intensidad de cocción preestablecidos para 3 categorías (vea la tabla siguiente).

Para utilizar AUTO DEFROST, realice los siguientes pasos:

1. Toque

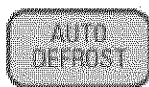


una vez

USTED
VE



2. Toque AUTO DEFROST de 1 a 3 veces para seleccionar el tipo de comida.



1 vez

Ejemplo para
carnes

O

Toque un número del panel para elegir el tipo de comida.



Ejemplo para carnes

USTED
VE



Ejemplo para
carnes



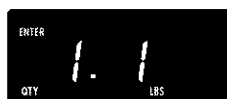
3. Toque el(los) número(s) de botón para introducir el peso.



2 veces

Ejemplo para
1.1 lbs (500 g)

USTED
VE



Ejemplo para
1.1 lbs (500 g)

4. Toque



USTED
VE



(cuenta regresiva puede variar)

NOTAS:

- Si no introduce un peso en 2 segundos, AUTO DEFROST le solicitará que introduzca un peso. Tendrá 1 minuto para introducir el peso y para tocar START/ENTER. De no ser así, AUTO DEFROST se cancelará.
- Si introduce un peso mayor que el peso más alto permitido para su programación de alimentos, se escucharán 3 tonos y aparecerá en la pantalla "RETRY" cuando toque START/ENTER.
- Si toca AUTO DEFROST 4 veces, la pantalla volverá al programa para Carnes.
- Si necesita más o menos tiempo de descongelado, no toque AUTO DEFROST nuevamente. Toque el botón de POWER antes de tocar START/ENTER. (Vea "Cómo cambiar los niveles de energía de cocción preestablecidos" en la sección "Conozca su horno de microondas").
- Vea la "Tabla de descongelado automático" más adelante en esta sección para ver las instrucciones para descongelar cada alimento.
- Para descongelar los artículos que no se encuentren en la "Tabla de descongelado automático," utilice el 30% de la intensidad de cocción. Consulte un recetario confiable para obtener información acerca de la descongelación.

Para un descongelado parejo y completo

- La forma del empaque afecta la rapidez con la que se descongelarán los alimentos. Los empaques con poca profundidad se descongelarán más rápido que un envase profundo.
- Separe las piezas conforme empiecen a descongelarse los alimentos. Las piezas separadas se descongelan de manera más uniforme.
- Utilice pequeños pedazos de papel aluminio para proteger partes de los alimentos tales como alas de pollo, los extremos de las patas, colas de pescado o las áreas que empiecen a calentarse. Cerciérese de que el papel aluminio no toque los lados, el fondo o la parte superior del horno.

CÓMO UTILIZAR AUTO DEFROST (DESCONGELADO AUTOMÁTICO) (CONT.)

Esta tabla le indica la manera de elegir el tipo de comida y los pesos que puede establecer para cada tipo.

COMIDA	TOQUE AUTO DEFROST*	TOQUE EL NÚMERO DEL PANEL	PESOS QUE PUEDE ESTABLECER (en décimas de libra)
Carnes	1 vez	1	0.1 a 6.6 (45 g a 2994 g)
Aves	2 veces	2	0.1 a 6.6 (45 g a 2994 g)
Pescado	3 veces	3	0.1 a 4.4 (45 g a 1998 g)

* Debe tocar AUTO DEFROST una vez antes de elegir el tipo de comida.

TABLA DE DESCONGELADO AUTOMÁTICO

Programación para carnes

ALIMENTO	INSTRUCCIONES ESPECIALES
Carne de res	Se deben cubrir con papel aluminio las partes grasosas o angostas de carnes grandes de forma irregular y cortes de carne grasosa al inicio de los ciclos de descongelado.
Carne molida	No descongele menos de 1/4 de libra (113 g).
Carne molida, Tortitas	No descongele menos de dos tortitas de 4 onzas (113 g).
Medallones, Lomo en bisteces, Estofado al horno, Estofado de espaldilla, Estofado de carne de costillas, Estofado de rollos de carne	Coloque en una parrilla para rostizar en microondas.
Estofado	Coloque en un platón para hornear en microondas.
Cordero	
Cubos para estofado	Coloque en un platón para hornear en microondas.
Chuletas (1 pulg [2.5 cm] de grueso)	Coloque en una parrilla para rostizar en microondas.
Cerdo	
Chuletas (1/2 pulg [13 mm] de grueso), Hot Dogs, Costillas de cerdo, Costillas estilo campestre, Estofado de lomo (sin hueso), Salchicha	Coloque en una parrilla para rostizar en microondas.
Salchichón	Coloque en un platón para hornear en microondas.

TABLA DE DESCONGELADO AUTOMÁTICO (CONT.)

Programación para aves

ALIMENTO	INDICACIONES ESPECIALES
<p>Pollo</p> <p>Entero (hasta 9½ lbs (4.3 kg))</p> <p>En piezas</p>	<p>Coloque el pollo con la pechuga hacia arriba en una parrilla especial para rostizar para microondas. Termine de descongelarlo sumergiéndolo en agua fría. Retire las menudencias cuando el pollo esté parcialmente descongelado.</p> <p>Colóquelo en una parrilla para rostizar en microondas. Termine de descongelarlo sumergiéndolo en agua fría.</p>
<p>Codornices</p> <p>Enteras</p>	<p>Colóquelas en una parrilla para rostizar en microondas. Termine de descongelarlas sumergiéndolas en agua fría.</p>
<p>Pavo</p> <p>Pecho (menos de 6 lbs [2.7 kg])</p>	<p>Colóquelo en una parrilla para rostizar en microondas. Termine de descongelarlo sumergiéndolo en agua fría.</p>

Programación para pescados

ALIMENTO	INSTRUCCIONES ESPECIALES
<p>Pescados</p> <p>Filetes</p> <p>Bisteces</p> <p>Entero</p>	<p>Coloque en un platón para hornear en microondas. Separe cuidadosamente los filetes bajo agua fría.</p> <p>Coloque en un platón para hornear en microondas. Haga correr agua fría sobre el pescado para terminar de descongelar.</p> <p>Coloque en un platón para hornear en microondas. Cubra la cabeza y la cola con papel aluminio. No deje que el papel toque los lados del horno. Para terminar de descongelar sumerja en agua fría.</p>
<p>Mariscos</p> <p>Cangrejo, Colas de langosta, Camarón, Callo de hacha</p>	<p>Coloque en un platón para hornear en microondas.</p>

CONSEJOS DE DESCONGELADO

- Cuando utilice AUTO DEFROST, (Descongelado Automático), necesita introducir el peso neto (el peso del alimento menos el del recipiente). Introduzca el peso lo más cercano a $\frac{1}{10}$ lb (45 g).
- Sólo utilice el AUTO DEFROST para alimentos crudos. AUTO DEFROST le brinda los mejores resultados cuando el alimento a descongelar está completamente congelado. Si el alimento está parcialmente descongelado, siempre programe un peso menor (para un período de descongelamiento menor), para evitar que el alimento se cueza.
- Para obtener mejores resultados, se incluye un tiempo de reposo preestablecido en el período de descongelamiento. Esto pudiera hacer que el tiempo de descongelamiento parezca más largo de lo esperado. (Para mayor información acerca del período de reposo, consulte la sección “Consejos para cocinar con microondas,” en la sección “Guía de cocina”).

Tabla de conversión de peso

Probablemente esté usted acostumbrado a que el peso de los alimentos se describa en libras y onzas que son fracciones de 1 libra (por ejemplo 4 onzas equivalen a $\frac{1}{4}$ de libra). Sin embargo, para poder programar el peso del alimento en el AUTO DEFROST, debe especificarlo en libras y décimas de libra.

Si el peso en el empaque del alimento se expresa en fracciones de libra, usted puede utilizar la siguiente tabla para convertir el peso a décimas.

PESO EN DÉCIMAS	PESO EQUIVALENTE EN ONZAS	PESO EQUIVALENTE EN GRAMOS
0.10	1.6	45
0.20	3.2	91
0.25 Un cuarto de libra	4.0	113
0.30	4.8	136
0.40	6.4	181
0.50 Media libra	8.0	227
0.60	9.6	272
0.70	11.2	318
0.75 Tres cuartos de libra	12.0	340
0.80	12.8	363
0.90	14.4	408
1.00 Una libra	16.0	454

CÓMO UTILIZAR POPCORN (PALOMITAS DE MAÍZ)

Usted puede preparar palomitas de maíz empacadas comercialmente para horno de microondas con sólo oprimir un botón. La cantidad de veces que toque el botón determina el tamaño de la bolsa de palomitas que su horno cocinará.

Para obtener mejores resultados:

- Cocine sólo una bolsa a la vez.
- Si está usando un recipiente especial para preparar palomitas de maíz en microondas, siga las instrucciones del fabricante.

Para utilizar el botón POPCORN siga los siguientes pasos:

1. Coloque la bolsa en el centro del plato giratorio.
2. Toque el botón POPCORN de 1 a 3 veces para seleccionar el tamaño de la bolsa.



Ejemplo para
3.5 onzas (100 g)

1 vez

USTED
VE



Ejemplo para
3.5 onzas
(100 g)



(la cuenta
regresiva
puede variar)

Esta tabla le muestra cómo seleccionar un tamaño de bolsa.

TAMAÑO DE LA BOLSA (onzas)	TOQUE EL BOTÓN POPCORN
3.5 (100 g)	1 vez
3.0 (85 g)	2 veces
1.75 (50 g)	3 veces

NOTAS:

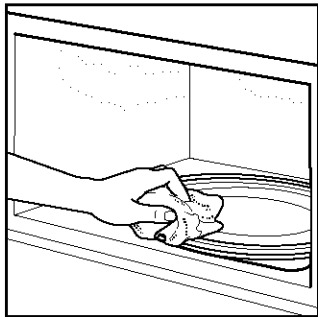
- Si toca el botón POPCORN 4 veces, la pantalla regresará al programa de 3.5 onzas (100 g).
- No necesita tocar START/ENTER para iniciar la operación del horno. El horno iniciará la operación en 5 segundos.

Existen diferencias entre las distintas marcas de palomitas de maíz

Qué tan bien se cocinen sus palomitas, dependerá de la marca y de la cantidad de grasa que tengan. Pruebe con varias marcas para decidir cuál se cocina mejor. Para obtener mejores resultados use bolsas nuevas de palomitas de maíz.

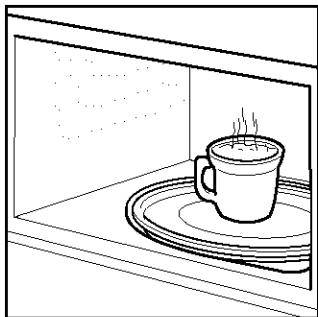
Cómo cuidar su horno de microondas

Para asegurarse de que su horno de microondas se vea y funcione bien por mucho tiempo, debe darle el mantenimiento apropiado. Para un cuidado adecuado, por favor siga cuidadosamente estas instrucciones.

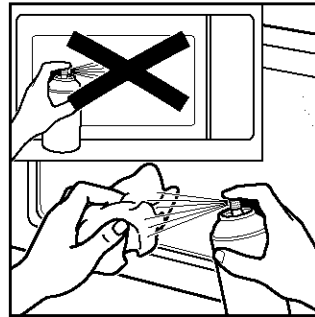


Para las superficies interiores: Lave frecuentemente con agua tibia jabonosa y una esponja o lienzo suave. Utilice solamente jabones suaves, no abrasivos o un detergente suave. **Asegúrese de mantener limpias las**

áreas donde la puerta y el marco del horno convergen cuando está cerrado. Limpie bien con agua limpia. Con el tiempo pueden aparecer manchas en las superficies debido a partículas de comida salpicadas al cocinar. Esto es normal.

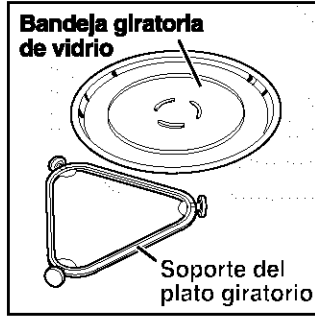


Para manchas difíciles, hierva una taza de agua en el horno durante 2 ó 3 minutos. El vapor suavizará las manchas. Para eliminar olores dentro del horno, hierva una taza de agua con jugo de limón o vinagre.



Para las superficies exteriores y el panel de control: Utilice un lienzo suave con limpiador de cristales en aerosol. Aplique el limpiador de cristales en aerosol en el lienzo suave; no lo aplique directamente en el horno.

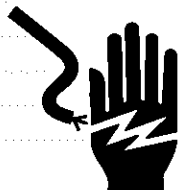
NOTA: Los limpiadores abrasivos, fibras de acero o lana, trapos viejos, algunas toallas de papel, etc., pueden dañar el panel de control y las superficies interiores y exteriores del horno.



Para limpiar la bandeja giratoria y el soporte de la bandeja giratoria, lave con agua suave jabonosa; para áreas muy manchadas, utilice un limpiador suave y una esponja para tallar. El plato giratorio y el soporte del plato giratorio son resistentes a lavavajillas.

CÓMO INSTALAR Y CUIDAR LOS FILTROS

⚠️ ADVERTENCIA



Peligro de Choque Eléctrico

Desconecte el suministro de energía antes de quitar los filtros.

Vuelva a colocar todos los paneles antes de hacer funcionar.

No seguir estas instrucciones puede ocasionar la muerte o choque eléctrico.

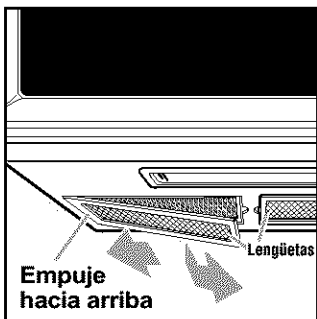
Se deben quitar con frecuencia los filtros de grasa (aluminio) para limpiarlos, al menos una vez al mes. Puede ordenar refacciones (Número de parte 4393862) disponibles en el centro de servicio Sears más cercano.

El filtro de carbón no puede limpiarse y debe reemplazarse cada 6 a 12 meses. El calendario para la reposición del filtro de carbón está destinado principalmente para quienes instalan la combinación microondas campana en la modalidad de recirculación.

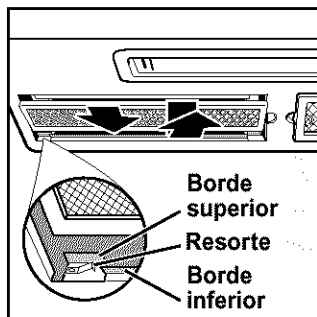
NOTA: Su combinación microondas campana viene con un filtro de carbón (Número de parte 8169645) instalada detrás del filtro de grasa de aluminio. El filtro de carbón ayuda a eliminar olores y proporciona aire recirculado limpio. Usted puede quitar el filtro de carbón, si la ventilación es hacia el exterior.

Cómo quitar, limpiar y reinstalar los filtros

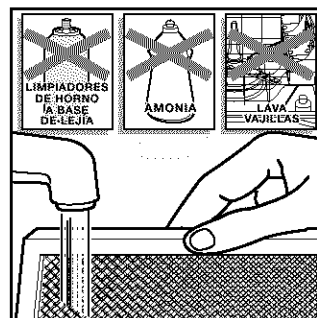
1. Desenchufe el horno de microondas o desconecte el suministro de energía eléctrica.



2. Para quitar los filtros de grasa, empuje cada filtro hacia arriba, en lado opuesto a la lengüeta. Sujete la lengüeta y jale el filtro hacia el lado opuesto. Jale el filtro hacia abajo para quitarlo.



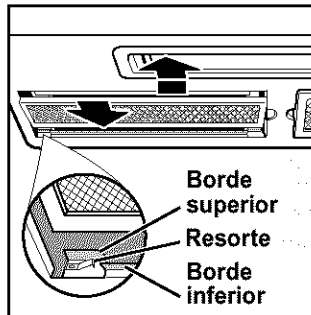
3. Para quitar los filtros de carbón, empuje la parte de atrás de cada filtro. Esto liberará la parte frontal del filtro, del borde inferior. Haga girar la parte frontal del filtro hacia abajo y deslícelo hacia afuera.



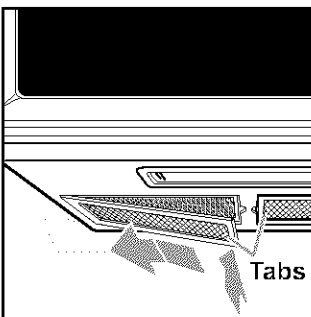
4. Remoje los filtros de grasa en agua caliente y un detergente suave. Restriéguelos y agítelos para eliminar la suciedad y grasa incrustada. Enjuáguelos bien y sacúdalos para que

se sequen. **No use amoníaco, agentes de limpieza corrosivos como limpiadores de horno con base de lejía ni los coloque en la lavavajillas. El filtro se pondrá negro o podría dañarse.**

5. Para cambiar los filtros de carbón, empuje



cada filtro hacia la parte de atrás de la abertura, entre los bordes de arriba y de abajo, contra los resortes. Haga girar la parte frontal del filtro hacia arriba contra el borde superior. Deslice el filtro hacia adelante mientras lo empuja contra el borde superior. El filtro quedará sostenido por el resorte entre los bordes.



6. Para volver a colocar los filtros de grasa, deslice cada filtro dentro del lado exterior del orificio para filtros. Asegúrese de deslizar el lado del filtro que no tiene la lengüeta. Sujete la lengüeta con la otra mano. Empuje hacia

arriba el lado del filtro con la lengüeta y deslice el filtro hacia el otro lado del orificio para que encaje en su lugar.

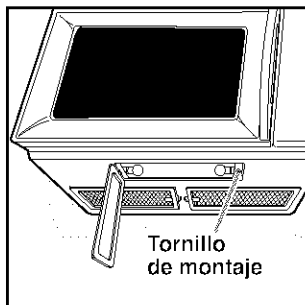
7. Vuelva a conectar el suministro de energía o enchufe el horno de microondas.

NOTA: No haga funcionar el extractor sin que los filtros de grasa estén en su lugar.

CÓMO CAMBIAR LAS LUCES DEL HORNO Y DE LA SUPERFICIE PARA PREPARACIÓN DE ALIMENTOS

La luz de la superficie para preparación de alimentos

1. Desenchufe el horno de microondas o desconecte el suministro de energía.



2. Quite el tornillo de montaje de la cubierta del foco y retírela con cuidado.

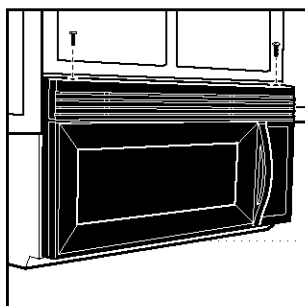
3. Cambie el(los) foco(s) por uno de 30 watts con portalámparas (Número de parte 4393681), el cual puede conseguir en su centro de servicio Sears más cercano.

4. Vuelva a colocar la cubierta del foco y el tornillo de montaje.

5. Enchufe el horno de microondas o reconecte el suministro de energía.

La luz del horno

1. Desenchufe el horno de microondas o desconecte el suministro de energía.



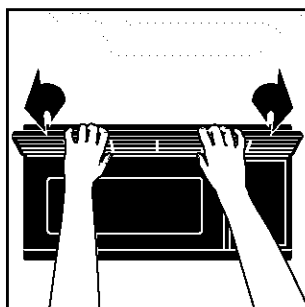
2. Quite los dos tornillos de montaje de las rejillas de ventilación que se encuentran arriba de la cubierta del foco (los dos tornillos exteriores).



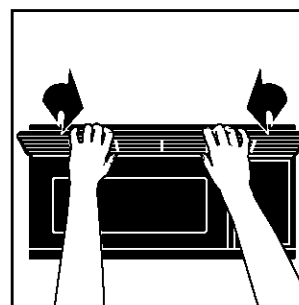
4. Levante la cubierta del foco.

5. Cambie el foco por uno de 30 watts con portalámparas (Número de parte 4393681), el cual puede conseguir en su centro de servicio Sears más cercano.

6. Cierre la cubierta del foco.



3. Recorra la rejilla hacia adelante y levántela para quitarla.



7. Deslice la parte superior de la rejilla de ventilación a su lugar. Toque la parte inferior hasta que quede perfectamente colocada. Vuelva a colocar los tornillos de montaje.

8. Enchufe el horno de microondas o reconecte el suministro de energía.

Guía para cocinar

CONSEJOS PARA COCINAR CON EL HORNO DE MICROONDAS

Cantidad de alimentos

- **Si usted aumenta o disminuye** la cantidad de alimentos que prepara, el tiempo requerido para cocinarlos también cambiará. Por ejemplo, si usted usa el doble de una receta, agregue un poco más de la mitad del tiempo de cocción original. Verifique si está cocido y, si es necesario, agregue más tiempo en incrementos pequeños.

Temperatura inicial del alimento

- **Cuanto menor es la temperatura** del alimento que usted coloca en el horno de microondas, mayor será el tiempo requerido para su cocción. Los alimentos a temperatura ambiente se recalentarán más rápido que los alimentos que están a la temperatura del refrigerador.

Composición del alimento

- **Los alimentos con mucha grasa o azúcar** se calentarán más rápido que los alimentos con alto contenido de agua. La grasa y el azúcar alcanzan una temperatura más alta que el agua durante el proceso de cocción.
- **Cuanto más denso es el alimento**, mayor es el tiempo requerido para calentarlo. Alimentos “muy densos” como las carnes necesitan más tiempo para recalentarse que los alimentos más livianos o más porosos como pasteles esponjosos.

Forma y tamaño

- **Las piezas más pequeñas de alimento** se cocinarán más rápido que las piezas más grandes y piezas con la misma forma se cocinarán en forma más pareja que los alimentos con forma irregular.
- **En los alimentos con grosores diferentes**, las partes más delgadas se cocinarán más rápido que las partes más gruesas. **Coloque** las partes más delgadas de las alas y patas de pollo en el centro del plato.

Rotación y agitación de alimentos

- **Cuando usted rota o revuelve los alimentos**, el calor se distribuye rápidamente al centro del plato y evita que los bordes del alimento se recocinen.

Tapando los alimentos

Tape los alimentos para:

- **Reducir** salpicaduras
- **Acortar** los tiempos de cocción
- **Retener** la humedad de los alimentos

Todas las tapas que permiten pasar las microondas son adecuadas. Para más información acerca de los materiales que permiten el paso de las microondas, ver la sección “Conozca su horno de microondas”.

Liberación de la presión de los alimentos

- **Muchos alimentos** (por ejemplo: papas al horno, salchichas, yemas de huevo y algunas frutas) están cubiertos por una piel o membrana apretada. Esto puede causar que los alimentos estallen por la acumulación de vapor bajo la membrana mientras se cocinan. Para aliviar la presión y prevenir los estallidos, **tranche** estos alimentos con un tenedor o un palillo de dientes antes de cocinarlos.

Tiempo de reposo

- **Siempre deje reposar los alimentos por un rato** después de cocinar. El período de reposo después de cocinar, descongelar o recalentar siempre mejora el resultado ya que la temperatura se distribuye en forma pareja a través del alimento.
- **El intervalo del tiempo de reposo** depende del volumen y la densidad del alimento. A veces puede ser tan corto como el tiempo que le lleva sacar los alimentos del horno y servirlos en la mesa. Sin embargo, con alimentos más voluminosos y más densos, el intervalo de tiempo de reposo puede ser tan largo como 10 minutos.

Distribución de los alimentos

Para resultados óptimos, distribuya los alimentos en forma pareja sobre el plato. Usted puede hacer esto de varias maneras:

- **Si usted está cocinando varias piezas del mismo tipo de alimento**, como papas al horno, **colóquelas** en forma de anillo para una cocción uniforme.

CONSEJOS PARA COCINAR CON EL HORNO DE MICROONDAS (CONT.)

- **Cuando cocina alimentos con forma o espesor irregular, tales como pechugas de pollo, coloque** las partes más pequeñas y delgadas hacia el centro del plato donde se calentarán en último lugar.
- **Apile las rodajas delgadas de carne** una sobre otra.
- **Cuando usted cocina o recalienta pescados enteros, haga** un corte en la piel - esto evita que se quiebre.
- **No deje** que los alimentos o los recipientes toquen el techo o los costados del horno. Esto evitará la posible formación de chispas.
- **Siempre quite** la tapa para evitar que el horno se dañe.
- **Use sólo** recipientes que no están dañados.
- **No use** recipientes más altos de $\frac{3}{4}$ de pulg (19 mm).
- **El recipiente debe estar** lleno por lo menos hasta la mitad.
- **Para evitar que se formen chispas**, debe haber como mínimo $\frac{1}{4}$ de pulg (6.4 mm) entre el recipiente de aluminio y las paredes del horno lo mismo que entre dos recipientes de aluminio.
- **Siempre coloque** el recipiente sobre la bandeja giratoria.

Uso de papel de aluminio

No deben usarse recipientes de metal en el horno de microondas. Sin embargo, hay algunas excepciones. Si usted ha comprado alimentos que están pre-empaquetados en un recipiente de papel de aluminio, siga las instrucciones del paquete. Si usa recipientes de papel de aluminio, los tiempos de cocción pueden ser más largos porque las microondas penetrarán sólo la parte superior del alimento. Si usted usa recipientes de aluminio que no tienen instrucciones en el paquete, siga las siguientes indicaciones:

- **Coloque** el recipiente en un tazón de vidrio y agregue un poco de agua para que cubra la base del recipiente, a no más de $\frac{1}{4}$ de pulg (6.4 mm) de alto. Esto asegura un calentamiento parejo en la base del recipiente.

- **El recalentamiento de alimentos** en recipientes de aluminio lleva el doble de tiempo que recalentarlos en recipientes de plástico, vidrio, porcelana o papel. El tiempo requerido para que los alimentos estén listos depende del tipo de recipiente que usted usa.
- **Deje reposar los alimentos** por 2 a 3 minutos después de calentar para que el calor se distribuya en forma pareja a través del recipiente.

Lo que usted no debe cocinar en su horno de microondas

- **No envase** alimentos en el horno. Los frascos de vidrio cerrados pueden explotar, resultando en daños al horno.
- **No use** el horno de microondas para esterilizar objetos (mamaderas, etc.). Es difícil mantener la temperatura alta requerida para una esterilización segura.

Preguntas y respuestas

PREGUNTAS	RESPUESTAS
¿Puedo poner en operación mi horno de microondas sin el plato giratorio o voltear éste para colocar un plato más grande?	No. Si quita o voltea el plato giratorio obtendrá resultados poco satisfactorios. Los platos utilizados en su horno deben ajustarse a la medida del plato giratorio.
¿Puedo utilizar una rejilla en mi horno de microondas para poder recalentar o cocinar en dos niveles al mismo tiempo?	Puede utilizar una rejilla sólo si ésta forma parte de su horno de microondas. Si utiliza una rejilla ajena a su horno de microondas podría obtener resultados poco satisfactorios y/o provocar chispas.
¿Puedo utilizar sartenes de metal o aluminio indistintamente en mi horno de microondas?	Puede utilizar papel aluminio para protección (utilice pedazos pequeños y sin arrugas), alambres para brochetas y charolas de papel aluminio poco profundas (si la charola tiene $\frac{3}{4}$ de pulgada [19mm] de profundidad o menos, debe llenarse al menos hasta la mitad con alimentos para absorber la energía de las microondas). Nunca permita que metal alguno toque las paredes o la puerta. (Para mayor información consulte "Cómo utilizar papel aluminio" en la sección "Guía para cocinar").
¿Es normal que el plato giratorio se mueva en cualquier dirección?	Sí. El plato giratorio se mueve en el sentido de las manecillas del reloj o en dirección contraria, esto depende de la rotación del motor al momento de iniciarse el ciclo de cocción.
Algunas veces la puerta de mi horno de microondas se ve ondulada. ¿Es ésto normal?	Esta apariencia es normal y no afecta el funcionamiento de su horno.
¿Qué son esos zumbidos que se oyen cuando mi horno de microondas está funcionando?	Lo que usted escucha es el ruido del transformador cuando el tubo magnetrón está en movimiento.
¿Por qué se calienta el plato cuando cocino en él? Pensé que ésto no debería suceder.	Al calentarse los alimentos éstos conducirán el calor al plato. Tenga a la mano guantes o almohadillas aislantes para sacar los alimentos después de cocinarlos.
¿Qué significa "tiempo de reposo"?	"Tiempo de reposo" significa que los alimentos deben retirarse del horno y cubrirse durante un tiempo adicional para permitir que la cocción termine. Esto deja libre al horno para seguir cocinando.
¿Por qué sale vapor por la salida del extractor?	Es normal que se produzca vapor al cocinar. El horno de microondas ha sido diseñado para sacar este vapor por la salida del extractor.
¿Puedo hacer palomitas de maíz en mi horno de microondas? ¿Cómo puedo obtener los mejores resultados?	Sí. Haga palomitas de maíz especiales para horno de microondas siguiendo las instrucciones del fabricante o utilizando el botón POPCORN (PALOMITAS). No utilice bolsas de papel normales. Utilice la "prueba de oído" deteniendo la operación del horno tan pronto como el sonido de los granos reventando decaiga a un "pop" cada 1 ó 2 segundos. No vuelva a cocinar los granos que no hayan reventado. No haga palomitas en recipientes de vidrio.

Diagnóstico y solución de problemas

La mayoría de los problemas al cocinar a menudo son causados por pequeñas cosas que usted puede encontrar y arreglar sin herramientas de ningún tipo. Revise las siguientes listas detalladas a continuación y en la próxima página antes de pedir ayuda o servicio. Si usted aún necesita ayuda, vea los números telefónicos gratuitos de Sears, que se encuentran en la contraportada.

EL HORNO DE MICROONDAS NO FUNCIONA

PROBLEMA	CAUSA
Nada funciona.	<ul style="list-style-type: none">• El cable de alimentación no está enchufado en un contacto de tres terminales con conexión a tierra. (Vea la sección "Requerimientos eléctricos" en la página 40 y la sección "Conexión eléctrica" en la página 45.)• Se ha quemado algún fusible en la casa o se ha disparado el disyuntor.• La empresa de servicios eléctricos ha tenido una interrupción en el suministro de electricidad.
El horno de microondas no funciona.	<ul style="list-style-type: none">• La puerta no está bien cerrada o asegurada.• Usted no tocó START/ENTER.• Usted no siguió las instrucciones con exactitud.• Una función que usted fijó anteriormente todavía está funcionando. Toque OFF/CANCEL para anular dicha selección.

TIEMPOS DE COCCIÓN

PROBLEMA	CAUSA
Los alimentos no están bien cocidos.	<ul style="list-style-type: none">• El suministro eléctrico de su casa o los contactos de pared son bajos o más bajos de lo normal. La empresa de servicios eléctricos puede indicarle si el voltaje del contacto es bajo. El electricista o técnico de servicio puede indicarle si el voltaje del contacto es bajo.• La intensidad de cocción no está en el ajuste recomendado. Revise el cuadro en la página 54.• Usted no ha dejado suficiente tiempo de cocción para la cantidad de alimentos que está cocinando. Las cantidades más grandes de alimentos necesitan tiempos de cocción más prolongados.
La pantalla muestra un tiempo de cuenta regresiva pero el horno no está cocinando.	<ul style="list-style-type: none">• La puerta del horno no está completamente cerrada.

BANDEJA GIRATORIA

PROBLEMA	CAUSA
La bandeja giratoria no funciona.	<ul style="list-style-type: none"> • La bandeja giratoria no está en su debido lugar. Su posición correcta debe ser con el lado plano hacia arriba y bien asentada en el eje central. • El soporte no está funcionando correctamente. Saque la bandeja giratoria y ponga el horno a funcionar de nuevo. Si el soporte todavía no se mueve, llame a un técnico autorizado para que lo repare. Los resultados de cocción sin la bandeja giratoria pueden ser insatisfactorios.

SONIDOS

PROBLEMA	CAUSA
Usted no escucha el sonido de programación o de fin de ciclo.	<ul style="list-style-type: none"> • Usted no ha ingresado el comando correcto. • Usted ha apagado el sonido. (Vea la sección “Señales audibles” en la página 48.)

MENSAJES EN LA PANTALLA

PROBLEMA	CAUSA
La pantalla muestra intermitentemente“:”.	<ul style="list-style-type: none"> • Ha habido una interrupción en el suministro eléctrico. Vuelva a programar el reloj. (Vea la sección “Cómo programar el reloj” en la página 51.)

Si ninguna de éstas es la causa del problema, vea la sección “Números telefónicos gratuitos de Sears” en la contraportada.

Índice

Este índice está en orden alfabético. Contiene todos los temas incluidos en este manual al igual que la(s) página(s) dónde puede encontrar cada tema.

TEMA	PÁGINA	TEMA	PÁGINA
CAMBIO DE LAS LUCES DEL HORNO Y DE LA SUPERFICIE DE COCCIÓN	68	AUTO REHEAT (recalentado automático).....	60
CÓMO PROBAR SU HORNO DE MICROONDAS...44		Botones numerados.....	47
CÓMO PROBAR SU VAJILLA O SUS UTENSILIOS DE COCINA.....	45	Cambio de los tiempos prefijados de cocción.....	52
CONSEJOS		CLOCK (reloj)	51
Cocción.....	69, 70	Cocción a intensidad alta	53
Descongelación	64	Cocción a distintas intensidades	54-56
Operación	45	Cocción por etapas.....	56, 57
CUADROS		Extractor de aire	50
Auto defrost (descongelación veloz)	62	Interrupción de la cocción.....	49
AUTO COOK (Cocción automática)	59	Luz	50
Conversión de peso.....	64	OFF/CANCEL (apagar/cancelar)	47
Intensidades de cocción	54	Pantalla.....	47
Popcorn (palomitas de maíz).....	65	POPCORN (palomitas de maíz).....	65
AUTO REHEAT (Recalentado automático)	60	POWER (suministro eléctrico)	52, 54-56
CUIDADO DE SU HORNO DE MICROONDAS.....	66	Seguro para niños	49
DIAGNÓSTICO Y SOLUCIÓN DE PROBLEMAS ..72, 73		START/ENTER (encender/introducir)	47
EXTRACTOR DE AIRE	50	TIEMPO DE COCCIÓN	52
FILTROS	67	PAPEL DE ALUMINIO	70, 71
CÓMO FUNCIONA SU HORNO DE MICROONDAS	44	PARTES Y CARACTERÍSTICAS	
GARANTÍA.....	37	Bandeja giratoria	42, 44, 45, 46, 71, 73
INSTRUCCIONES PARA LA INSTALACIÓN	42, 43	Etiqueta con guía para cocinar	46
INTERFERENCIA ELECTROMAGNÉTICA.....	44	Magnetrón	37, 38, 44, 71
LUCES		Manija de la puerta	46
Cómo cambiarlas	68	Placa con el número del modelo y de la serie	46
Cómo usarlas.....	50	Rejilla de ventilación	46
NÚMEROS TELEFÓNICOS GRATUITOS..Contraportada		Sistema de traba de seguridad de la puerta	46
PANEL DE CONTROL.....	47, 48	Ventana.....	46
AUTO COOK (cocción automática).....	58, 59	PREGUNTAS Y RESPUESTAS	71
AUTO DEFROST (Descongelación veloz)	61, 62	REQUERIMIENTOS ELÉCTRICOS	41
		SEGURIDAD	39-41
		SEÑALES AUDIBLES.....	48
		SERVICIO DE SEARS	38
		TIEMPO DE REPOSO	45, 64, 69, 71

Get it fixed, at your home or ours!

For repair of major brand appliances in your own home...
no matter who made it, no matter who sold it!

1-800-4-MY-HOME® Anytime, day or night
(1-800-469-4663)

www.sears.com

For repair of carry-in products like vacuums, lawn equipment,
and electronics, call for the location of your nearest
Sears Parts and Repair Center.

1-800-488-1222 Anytime, day or night

www.sears.com

For the replacement parts, accessories and owner's manuals
that you need to do-it-yourself, call **Sears PartsDirectSM**

1-800-366-PART 6 a.m. – 11 p.m. CST,
(1-800-366-7278) 7 days a week

www.sears.com/partsdirect

To purchase or inquire about a Sears Service Agreement
or Sears Maintenance Agreement:

1-800-827-6655

7 a.m. – 5 p.m. CST, Mon. – Sat.

Para pedir servicio de reparación a
domicilio, y para ordenar piezas:

1-888-SU-HOGARSM
(1-888-784-6427)

Au Canada pour service en français:

1-877-LE-FOYER®
(1-877-533-6937)

www.sears.ca

