

Discover Samsung's exclusive tray designed specifically for Air Fry

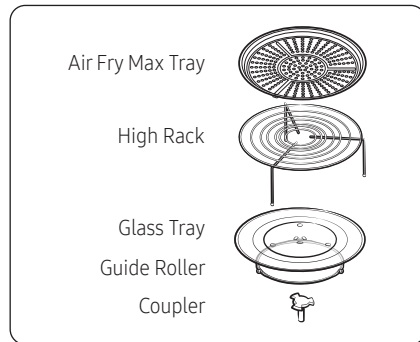


DE68-04777A-00

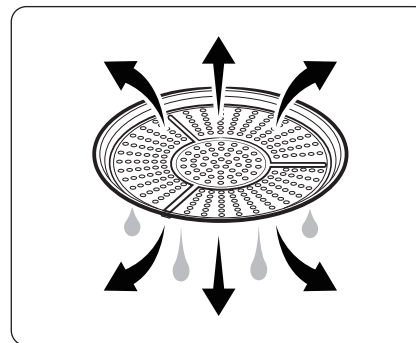
Air Fry Tray Benefits

This perforated tray allows oil to drip away as it cooks and allows heat to circulate around your food, delivering more even cooking and crispier results with better browning.

How to use



How it works



- Allows oil to drip away from food.
- Hot air circulates through the tray.
- Improved Air Fry performance compared to standard ceramic tray.

Where to buy

Available for purchase on Samsung.com:



Scan to purchase

English