

# Electric Oil Filled Radiator

User's manual

EN



**SENCOR®**

SOH 4007BE / SOH 4009BE

Prior to using this appliance, please read the user's manual thoroughly, even in cases, when one has already familiarised themselves with previous use of similar types of appliances. Use the appliance only as described in this manual. Keep this manual for later use.

Save the original shipping box, packaging material, purchase receipt and warranty card for the duration of the warranty. In the event of shipping, pack the appliance using the original packaging materials only.

EN-1

## CONTENTS

IMPORTANT SAFETY INSTRUCTIONS . . . . .	3
DESCRIPTION OF THE ELECTRIC OIL FILLED RADIATOR . . . . .	6
ASSEMBLING THE ELECTRIC OIL FILLED RADIATOR . . . . .	7
CONTROLLING THE ELECTRIC OIL FILLED RADIATOR . . . . .	8
THERMAL PROTECTION . . . . .	9
MAINTENANCE AND CLEANING . . . . .	9
STORAGE . . . . .	9
TECHNICAL SPECIFICATIONS . . . . .	9
INSTRUCTIONS AND INFORMATION REGARDING THE DISPOSAL OF USED PACKAGING MATERIALS . . . . .	10
DISPOSAL OF USED ELECTRICAL AND ELECTRONIC EQUIPMENT . . . . .	10

## IMPORTANT SAFETY INSTRUCTIONS

- This appliance may be used by children 8 years of age and older and by persons with physical or mental impairments or by inexperienced persons, if they are properly supervised or have been informed about how to use of the product in a safe manner and understand the potential dangers. Do not allow children to play with the appliance. Cleaning and maintenance must not be performed by children unless they are older than 8 years of age and under supervision.
- Keep this appliance and the power cord out of reach of children younger than 8 years of age.

## IMPORTANT SAFETY INSTRUCTIONS READ CAREFULLY AND STORE FOR FUTURE USE.

- Do not subject people or animals to the direct flow of hot or cold air for an extended period of time. It may negatively affect their health.
- Before connecting the appliance to a power socket, check that the technical details on the appliance's rating label match the electrical voltage in the socket.
- Do not connect the appliance to an extension cord or two way adapter.



### Attention:

Do not use this appliance with a programmer, time switch or any other device which would switch the appliance on automatically, because there is a danger of a fire if the appliance is covered or incorrectly located.

- The appliance is designed for use in households, offices and similar types of areas.
- Do not use the appliance in very dusty or humid rooms such as laundries or bathrooms, in areas where chemicals are stored, in industrial surroundings or outdoors!
- Do not use the appliance in the near vicinity of a bath, shower or swimming pool.
- This appliance is not intended to be mounted on a wall.
- Do not locate the appliance directly under an el. power socket.
- Do not place the appliance on unstable surfaces such as carpets with very long and thick fibres. The appliance must be located on a stable and even surface.
- Do not use the appliance near furniture, curtains, drapes or other flammable materials.
- Free space of at least 100 cm in front of the appliance and 50 cm behind the appliance must be maintained while it is running to ensure sufficient air circulation.
- Do not insert any items through the ventilation slots. A electrical short circuit could occur, a fire might be started or the appliance may be damaged.
- Do not touch the front grill of the heater during operation, so as to avoid skin burns.
- To avoid potential injury by electric shock do not submerge any part of this appliance in water or any other liquid and do not touch the appliance with damp or wet hands.
- Always turn off the appliance and disconnect it from the power socket if you will not be using it or before cleaning.
- Do not leave the appliance in operation if you are getting ready to go to sleep.
- Before cleaning the appliance, first turn it off and disconnect it from the power socket. When cleaning the appliance, do not submerge it in water or wipe it with a wet cloth.
- To avoid damaging the power cord, do not excessively bend or twist it.
- Ensure that the power cord does not come into contact with hot surfaces or sharp objects.
- Do not disconnect the appliance from the power socket by pulling on the power cord. This could damage the power cord or the power socket. Disconnect the cord from the power socket by gently pulling out the plug of the power cord.
- If the power cord is damaged, it must be replaced by an authorised service centre or by another similarly qualified person, this will prevent the creation of a dangerous situation.
- Do not use the appliance if it is not working correctly, if it has been damaged or has been submerged in water. To avoid the danger of injury by electrical shock, do not repair the appliance yourself or make any adjustments to it. Have all repairs or adjustments of the appliance performed at an authorised service centre. Tampering with the appliance during the warranty period may void the warranty policy.
- The manufacturer is not responsible for any damages caused by the incorrect use of this appliance.

# Electric Oil Filled Radiator

SOH 4007BE / SOH 4009BE

EN



## Attention:

Certain parts of this appliance may become very hot and cause burns. Special attention should be paid when children and handicapped people are present.



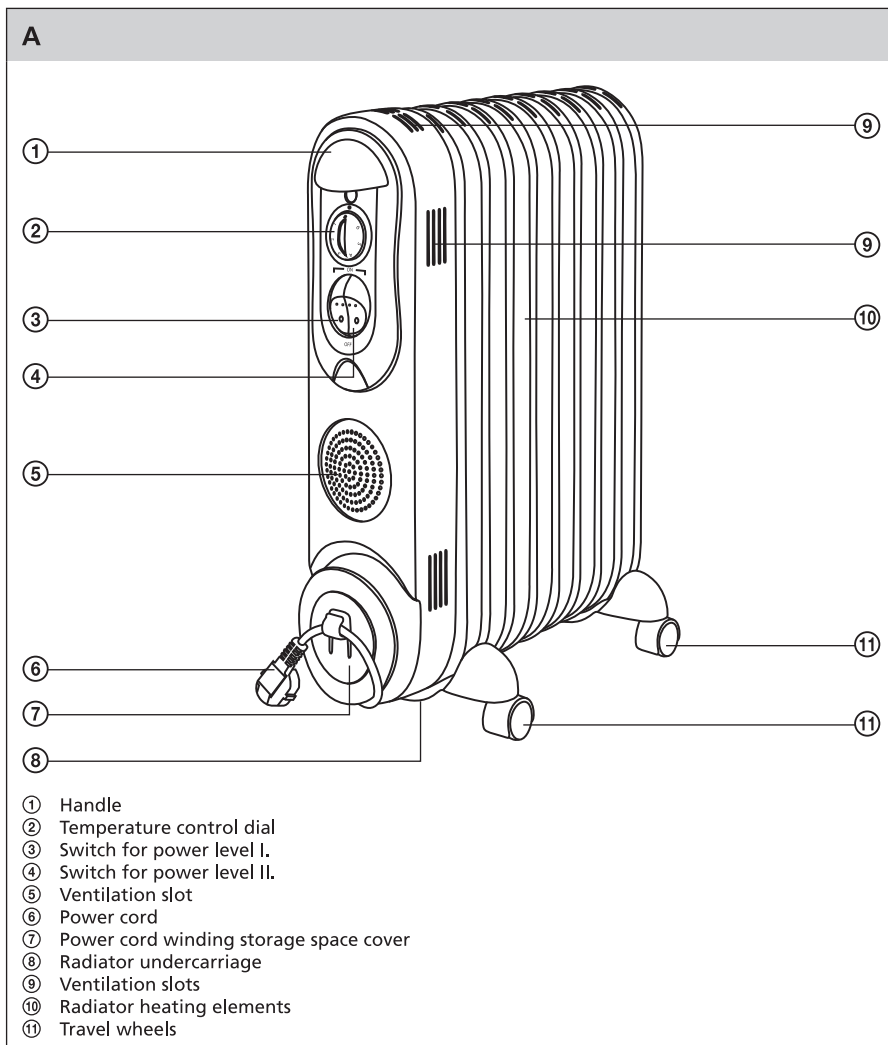
## Warning:

Do not cover the appliance as this could result in it overheating.

# Electric Oil Filled Radiator

SOH 4007BE / SOH 4009BE

## DESCRIPTION OF THE ELECTRIC OIL FILLED RADIATOR

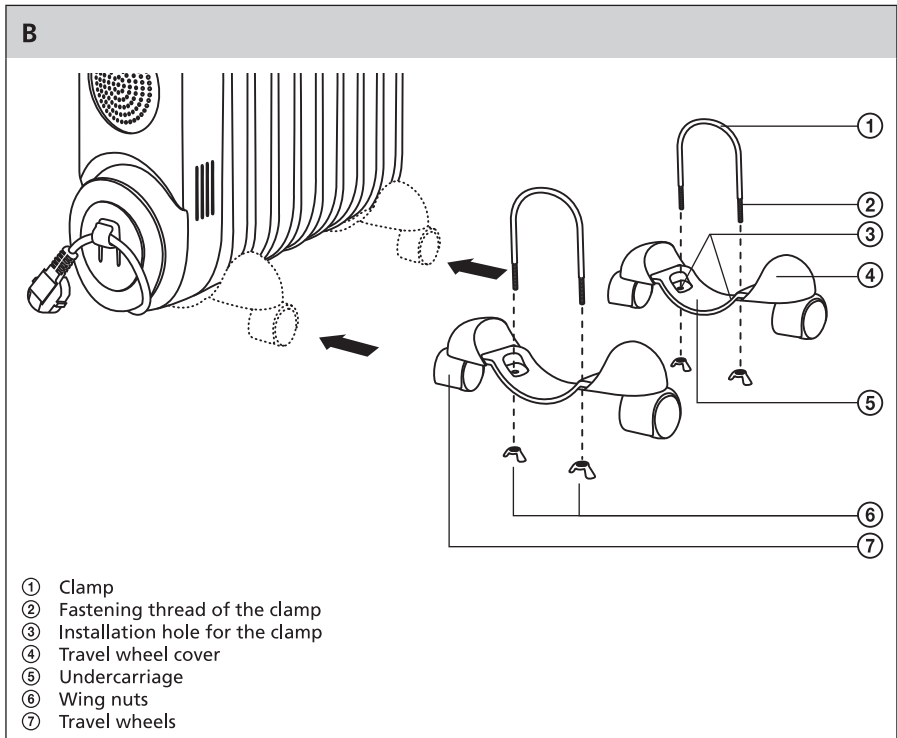


# Electric Oil Filled Radiator

SOH 4007BE / SOH 4009BE

EN

## ASSEMBLING THE ELECTRIC OIL FILLED RADIATOR



### Attention:

Never connect the oil filled heater to a power socket prior to starting installation or during the course of the installation.

Before starting the installation, check the oil filled radiator for damage, e.g. caused by a fall or transportation.



### Tip:

We recommend that for the installation, you place the oil filled radiator on to a workbench so that the bottom part where the travel wheels will be attached extends slightly past the edge of the table/board.

- 1) Between the bottom part of the 1st and 2nd heating element place clamp B① and thread both its threaded ends B② through the installation holes B③ as shown in figure B.
- 2) Lightly tighten clamp B① using two wing nuts B⑥ (do not tighten fully yet).
- 3) Between the bottom part of the second-last and last heating element place clamp B① and thread both its threaded ends B② through the installation holes B③ as shown in figure B.
- 4) Lightly tighten clamp B① using two wing nuts B⑥ (do not tighten fully yet).

EN-7

# Electric Oil Filled Radiator

SOH 4007BE / SOH 4009BE

- 5) Then carefully stand the oil filled radiator on the floor and align it relative to the undercarriage B⑥ so that it is straight. Do not use brute force - if it is not easy to align, try slightly loosening the wing nuts B⑥.
- 6) To finish, firmly tighten all the four wing nuts B⑥ on both undercarriages B⑥.
- 7) Check that the oil filled radiator is stable.

## CONTROLLING THE ELECTRIC OIL FILLED RADIATOR

### 1. TURNING ON AND SETTING THE MODE

- 1.1 Connect the oil filled radiator to a power socket.
- 1.2 Use a combination of switches A③ and A④ to set the desired power output level:

	SOH 4007BE (7 heating elements)	SOH 4009BE (9 heating elements)
Position "0"	Off (0 W)	Off (0 W)
power level I.:	600 W	800 W
power level II.:	900 W	1200 W
power level I. + II.:	1500 W	2000 W

- 1.3 The operation of each power level is shown by means of an indicator light that is integrated inside each switch A③, A④. Once the temperature that is set on the temperature control dial is reached, the indicator light will turn off. It will turn on again when the temperature falls and indicates that the appliance is heating.



**Note:**

A slight odour may be felt when the oil filled radiator is first turned on or after an extended period where it has not been used. This event will go away after a short while.

### 2. SETTING THE THERMOSTAT

- 2.1 Set the thermostat by slowly turning the temperature control dial A② in the clockwise direction. Stop turning the dial as soon as you hear a weak click. Now the thermostat is set and will automatically maintain the current room temperature by turning the heating elements on and off.
- 2.2 If you need to heat a room to a higher temperature than the present, turn the temperature control dial A② clockwise all the way to the end (to maximum) and wait until the room temperature reaches the desired level. Then turn the temperature control dial A② back in the anticlockwise direction until you hear a weak click and the indicator lights of switches A③ and A④ turn off.



**Note:**

Turn the temperature control dial A② clockwise to increase the set temperature. Turn the temperature control dial in the opposite direction to decrease the temperature.

### 3. STORING THE POWER CORD

- 3.1 You can store the power cord directly in the area in the front part of the oil filled radiator by winding it behind the cover A⑦.

# Electric Oil Filled Radiator

SOH 4007BE / SOH 4009BE

EN

## THERMAL PROTECTION

This oil filled radiator model is equipped with a two-level thermal protection:

- The first level (self-resetting thermal fuse) turns off the oil filled radiator in the event of overheating, where the internal temperature of the electronics reaches 100 °C. In this case it is necessary to leave the radiator turned off for several minutes. As soon as it cools down, the thermal fuse is automatically deactivated and it is possible to continue to use the radiator.
- Second level (non-resetting thermal fuse) will be activated if the first level fails and at the same time the internal temperature of the electronics reaches 140 °C. In this case it is necessary to contact an authorised service centre, which will return the radiator to working order by professional intervention.

## MAINTENANCE AND CLEANING

- Ensure that the appliance is turned off and that it has cooled down before cleaning it.
- Clean the appliance using a soft dry cloth. Do not use chemicals or abrasive cleaning products for cleaning. Otherwise the surface of the appliance may be damaged.
- Do not spray the appliance with water or submerge it in water or another liquid.

## STORAGE

- If you will not be using the appliance, store it in a dry, clean place out of children's reach. Allow the appliance to cool down before storing.

## TECHNICAL SPECIFICATIONS

	SOH 4007BE	SOH 4009BE
<b>colour</b>	white	white
<b>number of heating elements</b>	7	9
<b>power levels</b>	I=600 W II=900 W I+II=1500 W	I=800 W II=1200 W I+II=2000 W
<b>rated voltage</b>	230 V ~	230 V ~
<b>rated frequency</b>	50 Hz	50 Hz
<b>max. rated power input</b>	1500 W	2000 W

We reserve the right to change text and technical specifications.

## INSTRUCTIONS AND INFORMATION REGARDING THE DISPOSAL OF USED PACKAGING MATERIALS

Dispose of used packaging material at a site designated for waste in your municipality.

## DISPOSAL OF USED ELECTRICAL AND ELECTRONIC EQUIPMENT



This symbol on products or original documents means that used electric or electronic products must not be added to ordinary municipal waste. For proper disposal, renewal and recycling hand over these products to determined collection points. Or as an alternative in some European Union states or other European countries you may return your products to the local retailer when buying an equivalent new product. Correct disposal of this product helps save valuable natural resources and prevents damage to the environment caused by improper waste disposal. Ask your local authorities or collection facility for more details. In accordance with national regulations penalties may be imposed for the incorrect disposal of this type of waste.

### For business entities in European Union states

If you want to dispose of electric or electronic appliances, ask your retailer or supplier for the necessary information.

### Disposal in other countries outside the European Union

This symbol is valid in the European Union. If you wish to dispose of this product, request the necessary information about the correct disposal method from the local council or from your retailer.



This product meets all the basic requirements of EU directives that apply to it.