

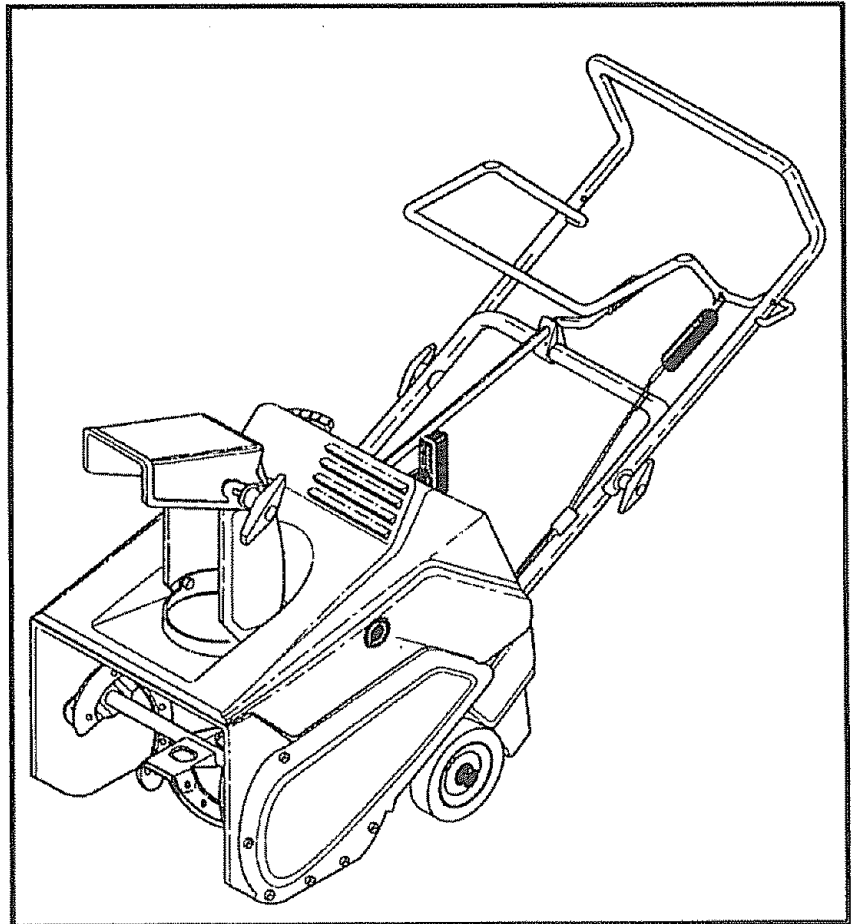
**IMPORTANT MANUAL**

**DO NOT THROW AWAY**

**SEARS  
OWNER'S  
MANUAL**

**MODEL NO.  
536.884670**

**Caution:  
Read and Follow  
All Safety Rules  
and Instructions  
Before Operating  
This Equipment**



**CRAFTSMAN®**

**5 HORSEPOWER  
21" SINGLE STAGE  
AUGER PROPELLED  
120V ELECTRIC START  
SNOW THROWER**

- Assembly
- Operation
- Customer Responsibilities
- Service and Adjustments
- Repair Parts

**SEARS, ROEBUCK AND CO., Hoffman Estates, IL 60179 U.S.A.**

## SAFETY RULES



**CAUTION: ALWAYS DISCONNECT SPARK PLUG WIRE AND PLACE WIRE WHERE IT CANNOT CONTACT SPARK PLUG TO PREVENT ACCIDENTAL STARTING WHEN SETTING-UP, TRANSPORTING, ADJUSTING OR MAKING REPAIRS.**



### IMPORTANT

SAFETY STANDARDS REQUIRE OPERATOR PRESENCE CONTROLS TO MINIMIZE THE RISK OF INJURY. YOUR SNOW THROWER IS EQUIPPED WITH SUCH CONTROLS. DO NOT ATTEMPT TO DEFEAT THE FUNCTION OF THE OPERATOR PRESENCE CONTROL UNDER ANY CIRCUMSTANCES.

#### BEFORE USE

- Read the Owner's Manual carefully. Be thoroughly familiar with the controls and the proper use of the snow thrower. Know how to stop the snow thrower and disengage the controls quickly.
- Do not operate the snow thrower without wearing adequate winter outer garments. Wear footwear that will improve footing on slippery surfaces.
- Keep the area of operation clear of all persons, particularly small children, and pets.
- Thoroughly inspect the area where the snow thrower is to be used and remove all doormats, sleds, boards, wires, and other foreign objects.
- Use extension cords and receptacles as specified by the manufacturer for all snow throwers with electric drive motors or with factory-installed or optional starting motors.
- Use only attachments and accessories approved by the manufacturer of the snow thrower (such as electric starter kits, etc.).
- Never operate the snow thrower without good visibility or light. Always be sure of your footing, and keep a firm hold on the handles. Walk; never run.
- This snow thrower is for use on sidewalks, driveways, and other ground level surfaces. CAUTION should be exercised while using on steep sloping surfaces. DO NOT USE SNOW THROWER ON SURFACES ABOVE GROUND LEVEL such as roofs of residences, garages, porches or other such structures or buildings.
- Check all bolts at frequent intervals for proper tightness to be sure the snow thrower is in safe working condition.
- Disengage clutch before starting the engine.
- Let engine and snow thrower adjust to outdoor temperatures before starting to clear snow.

#### FUEL SAFETY

- Handle fuel with care; it is highly flammable.
- Use an approved fuel container.
- Check fuel supply before each use, allowing space for expansion as the heat of the engine and/or sun can cause fuel to expand.
- Fill fuel tank outdoors with extreme care. Never fill fuel tank indoors.
- Replace fuel tank cap securely and wipe up spilled fuel.
- Never remove fuel tank cap or add fuel to a running engine or hot engine.
- Never store fuel or snow thrower with fuel in the tank inside a building where fumes may reach an open flame or spark.

#### OPERATING SAFETY

- Never allow children or young teenagers to operate the snow thrower and keep them away while it is operating. Never allow adults to operate the snow thrower without proper instruction. Do not carry passengers.
- Always wear safety glasses or eye shields during operation or while performing an adjustment or repair to protect eyes from foreign objects that may be thrown from the snow thrower.
- Exercise extreme caution when operating on or crossing gravel drives, walks, or roads. Stay alert for hidden hazards or traffic.
- Do not put hands or feet near or under rotating parts. Keep clear of the discharge opening at all times.
- Exercise caution to avoid slipping or falling, especially when operating in reverse or backing up.
- Do not clear snow across the face of slopes. Exercise caution when changing direction on slopes. Do not attempt to clear steep slopes.
- Never operate the snow thrower without proper guards, plates or other safety protective devices in place.

## SAFETY RULES

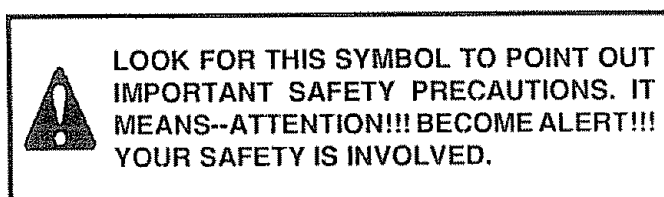
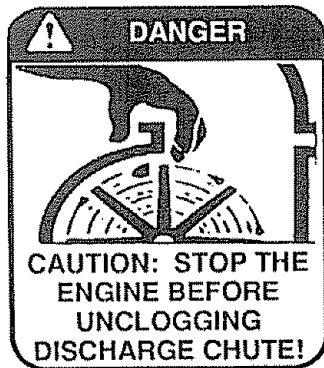
- Never operate the snow thrower near glass enclosures, automobiles, window wells, drop-offs, and the like without proper adjustment of the snow discharge angle. Keep children and pets away.
- Never operate the snow thrower at high transport speeds on slippery surfaces. Look behind and use care when backing.
- Never direct discharge at bystanders or allow anyone in front of the snow thrower.
- Do not run the engine indoors, except when starting the engine and for transporting the snow thrower in or out of the building. Open the outside doors; exhaust fumes are dangerous (containing CARBON MONOXIDE, an ODORLESS and DEADLY GAS).
- Take all possible precautions when leaving the snow thrower unattended. Disengage the auger/impeller, stop engine, and remove key.
- Do not overload the machine capacity by attempting to clear snow at too fast a rate.

### SAFE STORAGE

- Always refer to Owner's Manual instructions for important details if the snow thrower is to be stored for an extended period.
- Disengage power to the auger/impeller when snow thrower is transported or not in use.
- Never store the snow thrower with fuel in the fuel tank inside a building where ignition sources are present such as hot water and space heaters, clothes dryers, and the like. Allow the engine to cool before storing in any enclosure.

### REPAIR/ADJUSTMENTS SAFETY

- After striking a foreign object, stop the engine and remove the wire from the spark plug, or disconnect the cord from the electric motor. Thoroughly inspect the snow thrower for any damage, and repair the damage before restarting and operating the snow thrower.
- If the snow thrower should start to vibrate abnormally, stop the engine (or electric motor) and check immediately for the cause. Vibration is generally a warning of trouble.
- Stop the engine (or electric motor) whenever you leave the operating position, before unclogging the auger/impeller housing or discharge guide, and when making any repairs, adjustments, or inspections. Remove wire from spark plug or disconnect cord from electric motor.
- When cleaning, repairing, or inspecting, make certain the auger/impeller and all moving parts have stopped. Disconnect the spark plug wire and keep the wire away from the plug to prevent accidental starting.
- Never attempt to make any adjustments while the engine is running (except when specifically recommended in this manual).
- Maintain or replace safety and instruction labels, as necessary.
- Run the snow thrower a few minutes after throwing snow to prevent freeze-up of the auger/impeller.



**CONGRATULATIONS** on your purchase of a Sears Craftsman Snow Thrower. It has been designed, engineered and manufactured to give you the best possible dependability and performance

Should you experience any problem you cannot easily remedy, please contact your nearest Sears Service Center/Department. Sears has competent, well-trained technicians and the proper tools to service or repair this unit.

Please read and retain this manual. The instructions will enable you to assemble and maintain your snow thrower properly. Always observe the "SAFETY RULES."

MODEL  
NUMBER 536.884670

SERIAL  
NUMBER \_\_\_\_\_  
DATE OF  
PURCHASE \_\_\_\_\_

THE MODEL AND SERIAL NUMBERS WILL BE FOUND ON A DECAL ATTACHED TO THE REAR OF THE SNOW THROWER HOUSING

YOU SHOULD RECORD BOTH SERIAL NUMBER AND DATE OF PURCHASE AND KEEP IN A SAFE PLACE FOR FUTURE REFERENCE.

## PRODUCT SPECIFICATIONS

<b>HORSE POWER:</b>	5 hp
<b>DISPLACEMENT:</b>	8.46 cu. in.
<b>GASOLINE CAPACITY:</b>	1.62 quarts Unleaded
<b>FUEL/OIL MIX RATIO:</b>	40:1 (3.2 oz of air-cooled engine 2-cycle oil specified for 40:1 ratio per 1 gal of gas)
<b>SPARK PLUG :</b> (GAP .030 in.)	Champion RCJ8Y

## MAINTENANCE AGREEMENT

A Sears Maintenance Agreement is available on this product. Contact your nearest Sears Store for details

## CUSTOMER RESPONSIBILITIES

- Read and observe the safety rules
- Follow a regular schedule in maintaining, caring for and using your snow thrower
- Follow the instructions under "Customer Responsibilities" and "Storage" sections of this Owner's Manual

## TWO YEAR LIMITED WARRANTY ON CRAFTSMAN SNOW THROWER

For two years from the date of purchase, when this Craftsman Snow Thrower is maintained, lubricated and tuned-up according to the instructions in the owner's manual, Sears will repair, free of charge, any defect in material and workmanship.

If this Craftsman Snow Thrower is used for commercial or rental purposes, this warranty applies for only 90 days from the date of purchase.

This warranty does not cover:

- Expendable items which become worn during normal use, such as spark plugs, drive belts and shear pins.
- Repairs necessary because of operator abuse or negligence, including bent crankshafts and the failure to maintain the equipment according to the instructions contained in the owner's manual

WARRANTY SERVICE IS AVAILABLE BY RETURNING THE CRAFTSMAN SNOW THROWER TO THE NEAREST SEARS SERVICE CENTER/DEPARTMENT IN THE UNITED STATES. THIS WARRANTY APPLIES ONLY WHILE THIS PRODUCT IS IN USE IN THE UNITED STATES

This warranty gives you specific legal rights, and you may also have other rights which may vary from state to state

SEARS, ROEBUCK AND CO., D/817WA, HOFFMAN ESTATES, IL 60179

## TABLE OF CONTENTS

SAFETY RULES .....	2-3	SERVICE AND ADJUSTMENTS .....	14-17
PRODUCT SPECIFICATIONS .....	4	STORAGE .....	18
CUSTOMER RESPONSIBILITIES .....	4,13	TROUBLE SHOOTING .....	19
WARRANTY .....	4	REPAIR PARTS (SNOW THROWER) .....	20-27
TABLE OF CONTENTS .....	5	REPAIR PARTS (ENGINE) .....	28-31
INDEX .....	5	PARTS ORDERING/SERVICE .....	32
ASSEMBLY .....	6-7		
OPERATION .....	8-12		

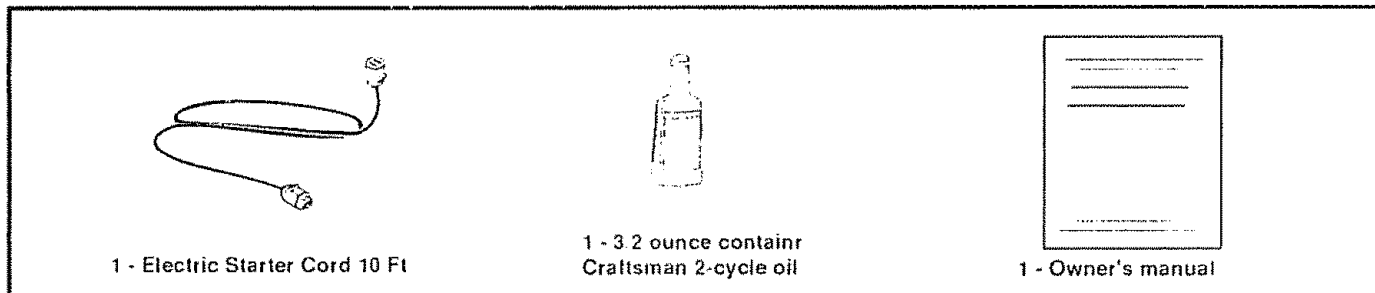
## INDEX

<p style="text-align: center;"><b>A</b></p> <p>Adjustment:</p> <ul style="list-style-type: none"> <li>Auger Control Cable ..... 14,15</li> <li>Auger ..... 17</li> <li>Belt Guides ..... 16</li> <li>Drive Belt ..... 15</li> <li>Carburetor ..... 14</li> <li>Spark Plug ..... 13, 17</li> </ul> <p>Assembly:</p> <ul style="list-style-type: none"> <li>Chute Control Rod ..... 7</li> <li>Handle Assembly ..... 7</li> <li>Unpacking ..... 7</li> </ul> <p style="text-align: center;"><b>B</b></p> <p>Belt:</p> <ul style="list-style-type: none"> <li>Adjust Belt ..... 15</li> <li>Belt Maintenance ..... 15</li> <li>Replace Belt ..... 15</li> </ul> <p>Belt Guides, Adjustment ..... 16</p> <p style="text-align: center;"><b>C</b></p> <p>Carburetor, Adjustment ..... 14</p> <p>Choke Control ..... 8, 11, 12</p> <p>Primer Button ..... 8, 11, 12</p> <p>Controls:</p> <ul style="list-style-type: none"> <li>Auger ..... 8, 11, 12</li> <li>Snow Thrower ..... 8-9, 11, 12</li> </ul> <p>Customer Responsibilities ..... 4,13</p> <ul style="list-style-type: none"> <li>Agreement ..... 4</li> <li>Engine ..... 13</li> <li>Spark Plug ..... 13</li> <li>General Recommendations ..... 13</li> </ul> <p style="text-align: center;"><b>D</b></p> <p>Drive, Auger ..... 14, 15</p> <p>Deflector, Snow Chute ..... 8, 9, 12</p>	<p style="text-align: center;"><b>E</b></p> <p>Engine:</p> <ul style="list-style-type: none"> <li>Controls ..... 8, 11, 12</li> <li>Fuel Mix Ratio ..... 4, 10</li> <li>Oil Type ..... 4, 10</li> <li>Starting, Electric ..... 11</li> <li>Starting, Recoil ..... 10, 11,12</li> <li>Storage ..... 18</li> </ul> <p>Electric Start ..... 8, 11</p> <p style="text-align: center;"><b>F</b></p> <p>Fuel Mix Ratio ..... 4, 10</p> <p>Fuel, Type ..... 4, 10</p> <p>Fuel, Storage ..... 10, 18</p> <p style="text-align: center;"><b>H</b></p> <p>Handle, Upper and Lower ..... 7, 8</p> <p style="text-align: center;"><b>I</b></p> <p>Ignition, Key ..... 8, 11</p> <p>Index ..... 5</p> <p style="text-align: center;"><b>L</b></p> <p>Levers:</p> <ul style="list-style-type: none"> <li>Choke Control ..... 8, 11, 12</li> <li>Chute Control ..... 7-9, 12</li> </ul> <p>Lubrication:</p> <ul style="list-style-type: none"> <li>Chute Control Rod ..... 13</li> <li>Chute Flange ..... 13</li> </ul> <p style="text-align: center;"><b>O</b></p> <p>Oil:</p> <ul style="list-style-type: none"> <li>Engine ..... 10</li> <li>Storage ..... 18</li> <li>Type ..... 4, 10</li> </ul> <p>Operation:</p> <ul style="list-style-type: none"> <li>Carburetor ..... 11</li> <li>Engine and Auger Controls ..... 8, 11, 12</li> <li>Operating Snow Thrower ..... 8-9, 12</li> <li>Operating Tips ..... 12</li> <li>Starting the Engine, Electric ..... 11</li> <li>Starting the Engine, Recoil ..... 11,12</li> <li>Snow Thrower Controls ..... 8-9, 12</li> </ul>	<p style="text-align: center;"><b>P</b></p> <p>Parts ..... 20-31</p> <p>Primer Button ..... 8, 11</p> <p>Product Specifications ..... 4</p> <p style="text-align: center;"><b>R</b></p> <p>Repair/Replacement Parts ..... 20-31</p> <p>Recoil Starter ..... 8, 11, 12</p> <p>Replacement, Belts ..... 15</p> <p>Replacement, Scraper Bar ..... 16</p> <p style="text-align: center;"><b>S</b></p> <p>Safety Rules ..... 2-3</p> <p>Service and Adjustments:</p> <ul style="list-style-type: none"> <li>Auger ..... 17</li> <li>Auger Control Cable ..... 14,15</li> <li>Belt Guides ..... 16</li> <li>Drive Belt ..... 15</li> <li>Belt Replacement ..... 15</li> <li>Carburetor ..... 14</li> <li>Scraper Bar Replacement ..... 16</li> <li>Spark Plug ..... 13, 17</li> <li>Specifications ..... 4</li> <li>Starting the Engine, Electric ..... 11</li> <li>Starting the Engine, Recoil ..... 12</li> <li>Stopping the Snow Thrower ..... 9</li> <li>Shipping Carton ..... 6</li> <li>Storage ..... 18</li> </ul> <p style="text-align: center;"><b>T</b></p> <p>Table of Contents ..... 5</p> <p>Trouble Shooting Chart ..... 19</p> <p>Tools Required for Assembly ..... 6</p> <p style="text-align: center;"><b>W</b></p> <p>Warranty ..... 4</p>
---	--	--

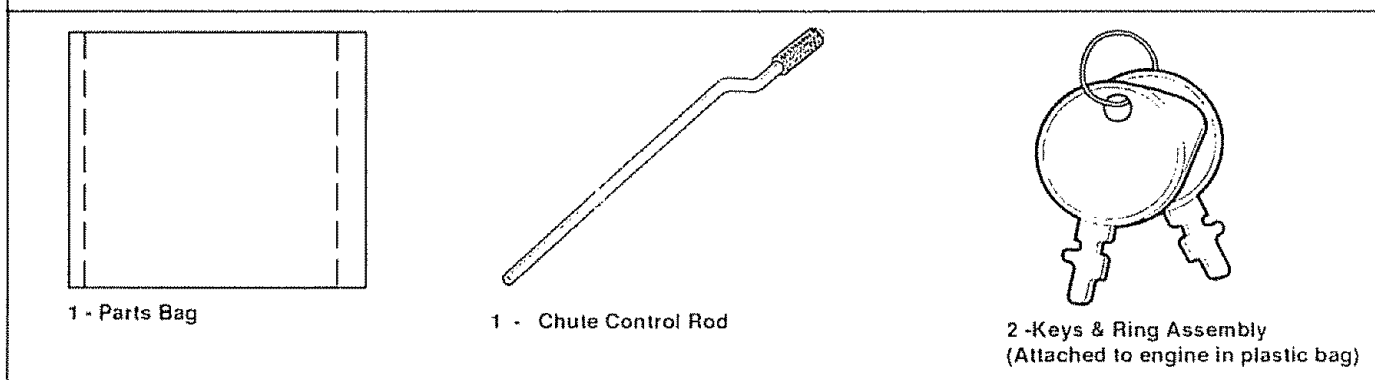


# CONTENTS OF HARDWARE PACK

## CONTENTS OF PARTS BAG (not shown full size)



## Parts packed separately in carton (not shown full size)



# ASSEMBLY

## TOOLS REQUIRED FOR ASSEMBLY

- 1 - 3/8" Wrench (or adjustable wrench)
- 1 - Regular screwdriver
- 1 - Knife (to cut carton)



**CAUTION:** Always wear safety glasses or eye shields while assembling snow thrower.

Figure 1 shows the snow thrower completely assembled. Reference to the right and left hand side of the snow thrower is from the operator position at the handle.

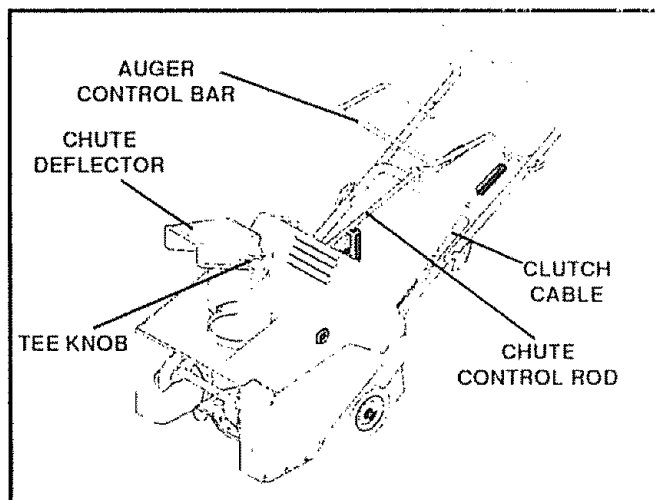


FIG. 1

# ASSEMBLY

## TO REMOVE SNOW THROWER FROM CARTON

- Remove all packing material
- Remove all inserts located in the carton
- Locate and remove container of Craftsman 2-cycle oil
- Remove chute control rod from insert and set aside.
- Cut down all four corners of carton and lay panels flat.
- Pull the snow thrower out of the carton

## TO ASSEMBLE THE HANDLE

- Remove the wrap from the upper handle
- Loosen the tee knob on the chute deflector (Fig 1)
- Raise chute deflector to top position (Fig 2A) and tighten tee knob.
- Loosen the tee knob on each side of the upper handle (Fig 2)
- Pull the chute deflector to one side (Fig 2B) to clear the upper handle and raise the upper handle to the operating position as shown in Fig 1 (NOTE: Hold the upper handle apart to prevent scratching the lower handle)
- Check to be sure the clutch cable is not caught in the handle. Tighten the tee knobs on the upper handle
- Loosen tee knob on the chute deflector and move it to snow throwing position (Fig 1)
- Tighten tee knob on the chute deflector

## TO ASSEMBLE THE CHUTE CONTROL ROD

- Remove the screw and nut from the end of the chute control rod and lay aside
- Push the end of the chute control rod through the hole in chute control rod bracket on the lower handle (See Fig 3)
- Align the hole in the chute control rod with the hole in the lower chute control rod (See Fig 3) Secure with the screw and nut
- Rotate the chute control rod fully clockwise and counterclockwise. The discharge chute should rotate freely

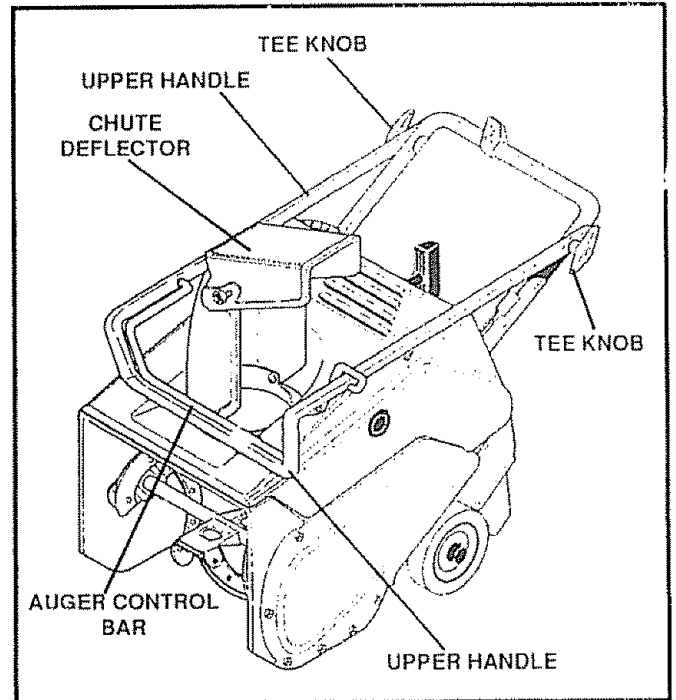


FIG. 2

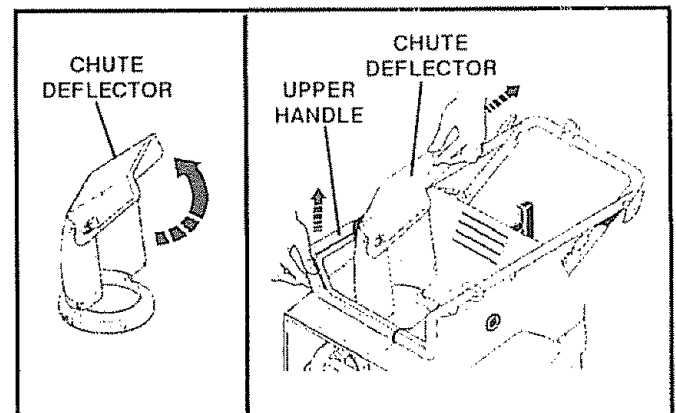


FIG. 2A

FIG. 2B

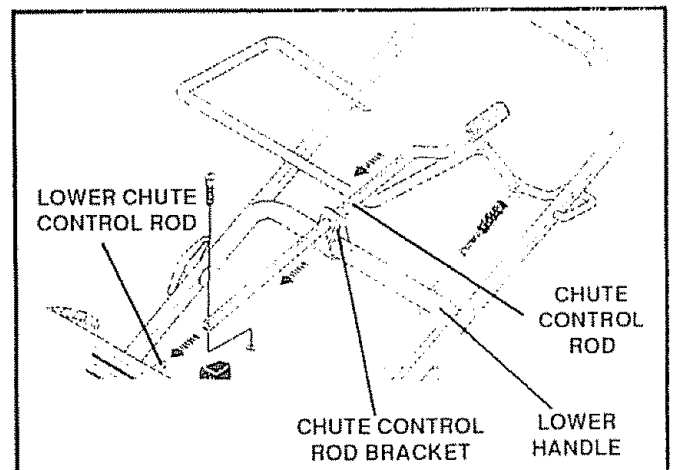


FIG. 3

# OPERATION

## KNOW YOUR SNOW THROWER

READ THIS OWNER'S MANUAL AND SAFETY RULES BEFORE OPERATING YOUR SNOW THROWER. Compare the illustrations with your snow thrower to familiarize yourself with the location of various controls and adjustments. Save this manual for future reference.

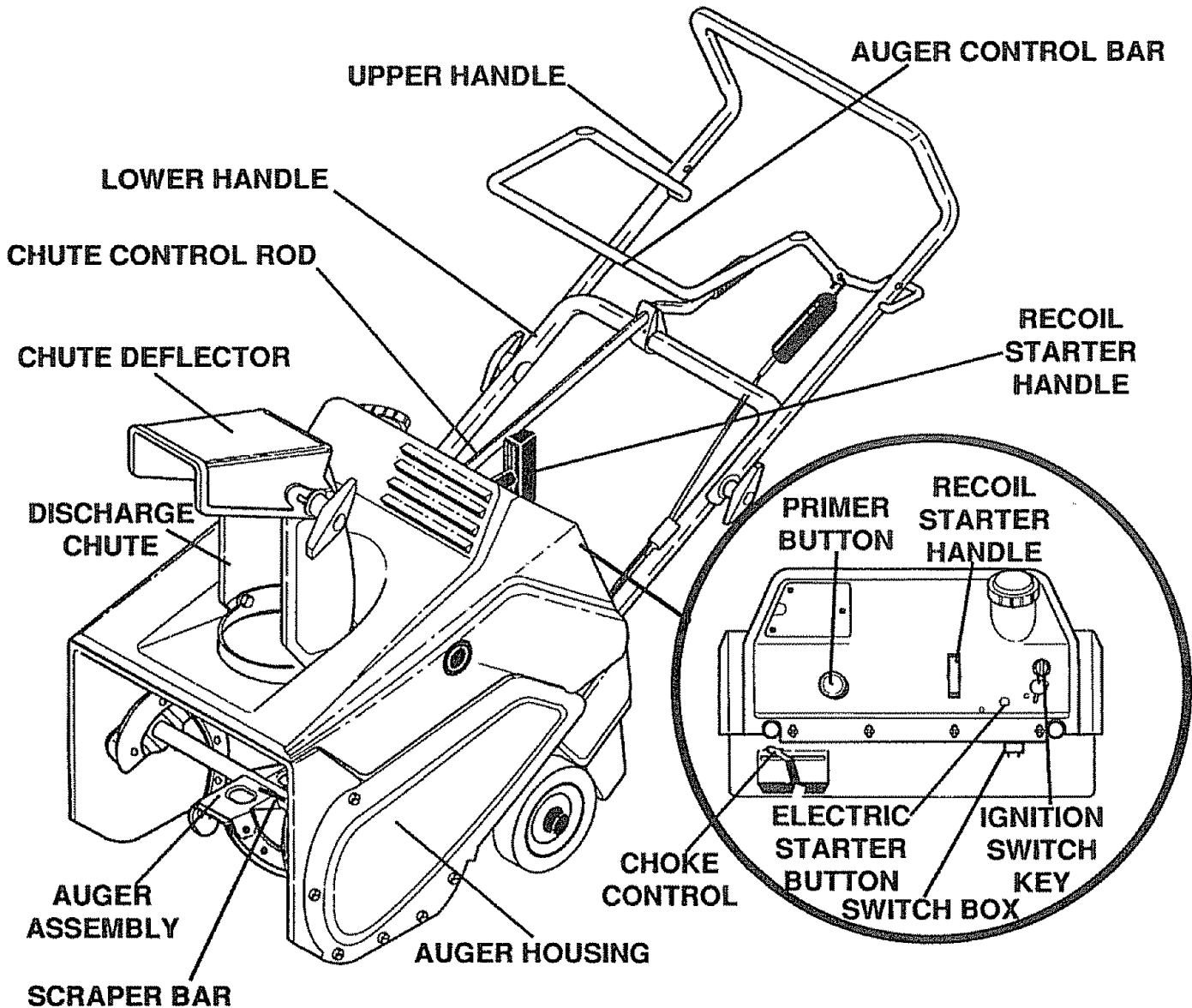


FIG. 4

SEARS SNOW THROWERS conform to the safety standards of the American National Standards Institute.B71.3-1984

**AUGER CONTROL BAR** - Starts and stops the auger which propels the snow thrower.

**CHUTE CONTROL ROD** - Changes the direction of snow discharge.

**CHUTE DEFLECTOR** - Changes the distance the snow is thrown.

**DISCHARGE CHUTE** - Changes the direction the snow is thrown.

**IGNITION SWITCH KEY** - Must be inserted and turned to the ON position to start the engine.

**CHOKE CONTROL** - Used to start a cold engine.

**PRIMER BUTTON** - Injects fuel directly into the carburetor manifold for fast starts in cold weather.

**RECOIL STARTER HANDLE** - Starts the engine manually.

**ELECTRIC STARTER BUTTON** - Used to start the engine using the 120 V electric starter.

# OPERATION



The operation of any snow thrower can result in foreign objects being thrown into the eyes, which can result in severe eye damage. Always wear safety glasses or eye shields while operating the snow thrower.

We recommend standard safety glasses, available at SEARS Retail or SEARS Service Center, or a wide vision safety mask for over your glasses.

## HOW TO USE YOUR SNOW THROWER

### TO STOP YOUR SNOW THROWER

- To stop the auger, release the auger control bar
- NOTE:** If the auger continues to creep, refer to the To Adjust Auger Control Cable paragraph on page 14 and 15.
- To stop the engine, turn key to the OFF position.
  - Turn the crank assembly to set the **direction** of the snow throwing

### TO CONTROL SNOW DISCHARGE

- Loosen the tee knob on the chute deflector and move the deflector to set the **distance**. Move the deflector **UP** for more distance, **DOWN** for less distance. Then tighten the tee knob (See Fig 5)

### TO USE AUGER PROPEL ACTION

- Squeeze the auger control bar down against the upper handle to allow the auger to turn
- To propel forward, raise the handle to allow the rubber auger blades to contact the ground (See Fig 6)

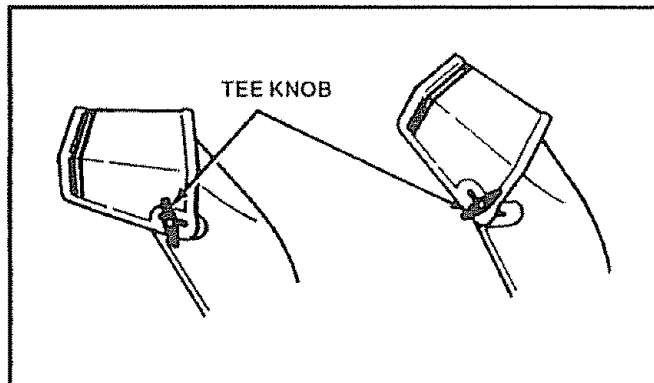


FIG. 5

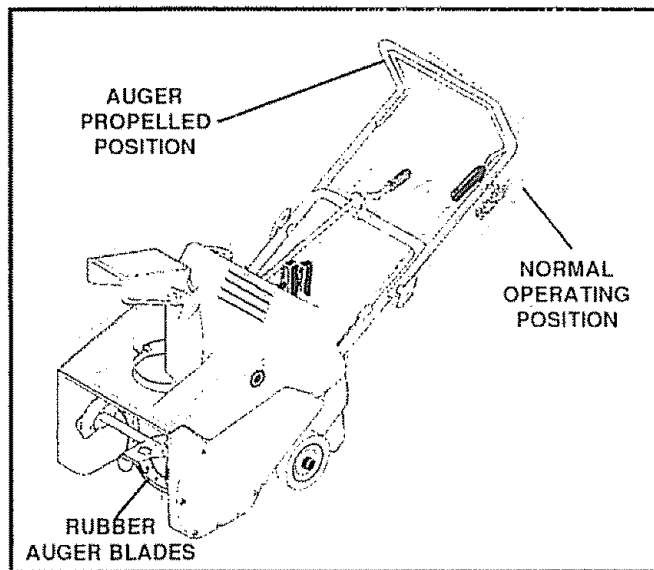


FIG. 6



**CAUTION: READ OWNER'S MANUAL BEFORE OPERATING MACHINE.**

**NEVER DIRECT DISCHARGE TOWARD BYSTANDERS.**

**RELEASE THE AUGER CONTROL BAR AND STOP THE ENGINE BEFORE UN-CLOGGING DISCHARGE CHUTE OR AUGER HOUSING AND BEFORE LEAVING THE MACHINE.**

# OPERATION

## BEFORE STARTING ENGINE

**WARNING:** Experience indicates that alcohol blended fuels (called gasohol or those using ethanol or methanol) can attract moisture which leads to separation and formation of acids during storage. Acidic gas can damage the fuel system of an engine while in storage. To avoid engine problems, the fuel system should be emptied before storage for 30 days or longer. Start the engine and let it run until the fuel lines and carburetor are empty. Use the carburetor bowl drain to empty residual gasoline from the float chamber (See Fig. 19). Use fresh fuel next season. (See Storage Instructions on page 18 for additional information.)

Never use engine or carburetor cleaner products in the fuel tank or permanent damage may occur.

## FILL GAS

The two cycle engine used on this snow thrower requires a mixture of gasoline and oil for lubrication of the bearings and other moving parts. The correct fuel mixture ratio is 40:1 (3.2 oz. oil per gallon of gas - see Fuel Mixture Chart). Gasoline and oil must be premixed in a clean gasoline container. Always use fresh, clean, unleaded gasoline.

## FUEL MIX CHART (Mixture 40:1)

U. S.		IMPERIAL		S. I. (METRIC)	
GAS	OIL	GAS	OIL	GAS	OIL
1 Gal.	3.2 oz.	1 Gal.	3.7 oz.	4 Liters	100ML

## GASOLINE AND OIL MIXTURE

Mix gasoline and oil (See Fig. 7) as follows:

- Pour 1 U.S. quart of fresh, clean, unleaded automotive gasoline into a gallon gasoline container.
- Add (3.2 oz.) of clean, high quality, Craftsman two-cycle oil to the gasoline container.

**IMPORTANT:** DO NOT USE OUTBOARD MOTOR OIL OR AUTOMOBILE OILS, SUCH AS SAE 30 OIL, OR MULTI-VISCOSITY OILS, SUCH AS 10W-30 OR 10W-40.

- Reinstall the cap on the gasoline container and shake container vigorously so the oil mixes with the gasoline.
- Add an additional 3 U.S. quarts of gasoline to the gallon container and shake the container again.



**CAUTION: GASOLINE IS FLAMMABLE AND CAUTION MUST BE USED WHEN HANDLING OR STORING IT. DO NOT FILL FUEL TANK WHILE SNOW THROWER IS RUNNING, HOT, OR WHEN SNOW THROWER IS IN AN ENCLOSED AREA. KEEP AWAY FROM OPEN FLAME OR ELECTRICAL SPARK, AND DO NOT SMOKE WHILE MIXING FUEL OR FILLING FUEL TANK. NEVER FILL FUEL TANK COMPLETELY, BUT FILL THE TANK TO WITHIN 1/4 - 1/2 INCH FROM TOP TO PROVIDE SPACE FOR EXPANSION OF FUEL. ALWAYS FILL FUEL TANK OUTDOORS AND USE A FUNNEL OR SPOUT TO PREVENT SPILLING. MAKE SURE TO WIPE UP ANY SPILLED FUEL BEFORE STARTING ENGINE.**

**STORE GASOLINE IN A CLEAN, APPROVED CONTAINER, AND KEEP CAP IN PLACE ON CONTAINER. KEEP GASOLINE IN A COOL, WELL VENTILATED PLACE, NEVER IN THE HOUSE. NEVER BUY MORE THAN A 30 DAY SUPPLY OF GASOLINE TO ASSURE VOLATILITY. GASOLINE IS INTENDED TO BE USED AS A FUEL FOR INTERNAL COMBUSTION ENGINES; THEREFORE, DO NOT USE GASOLINE FOR ANY OTHER PURPOSE. SINCE MANY CHILDREN LIKE THE SMELL OF GASOLINE, KEEP IT OUT OF THEIR REACH BECAUSE THE FUMES ARE DANGEROUS TO INHALE, AS WELL AS BEING EXPLOSIVE.**

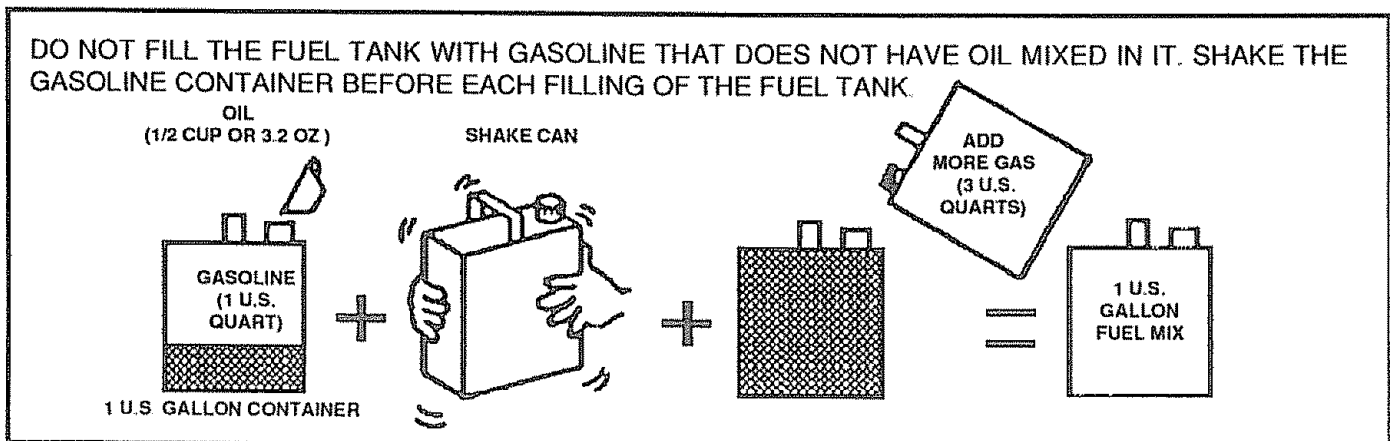


FIG. 7

# OPERATION

## TO STOP ENGINE (Fig. 8)

- To stop the engine, turn the key to OFF and remove key. Keep key in a safe place. The engine will not start without the key.

## TO START ENGINE (Electric Starter) Fig. 8

The snow thrower engine is equipped with a 120 volt A.C. electric starter and recoil starter. Before starting the engine, be certain that you have read the following information:

### COLD START

- Insert the key and turn ON.
- Move the choke control to FULL position.
- Connect the power cord to the switch box on the snow thrower.
- Plug the other end of the power cord into a 120 volt A.C. household receptacle.
- Push the primer button while covering the vent hole as follows: (Remove finger from primer button between primes).

Do not prime if temperature is above 50° F.

Two times if temperature is 50° F to 15° F.

Four times if temperature is below 15° F.

- Push down on the starter button until the engine starts. Do not crank for more than 10 seconds at a time. This electric starter is thermally protected. If overheated it will stop automatically and can be restarted only when it has cooled to a safe temperature (a wait of about 5 to 10 minutes is required).
- Disconnect the power cord from the receptacle first and then from the switch box on the snow thrower.
- As engine warms up and begins to operate evenly, move choke lever slowly to OFF position. If the engine falters, return to 1/2 choke until it runs smoothly, then move to OFF position.

**NOTE:** Allow engine to warm up for a few minutes before using the snow thrower, as the engine will not develop full power until it reaches operating temperature

### WARM START

- Move the choke to the OFF position and pull the starter handle until the engine starts.
- Do not prime a warm engine. If the engine fails to start, follow the Cold Start instructions above.

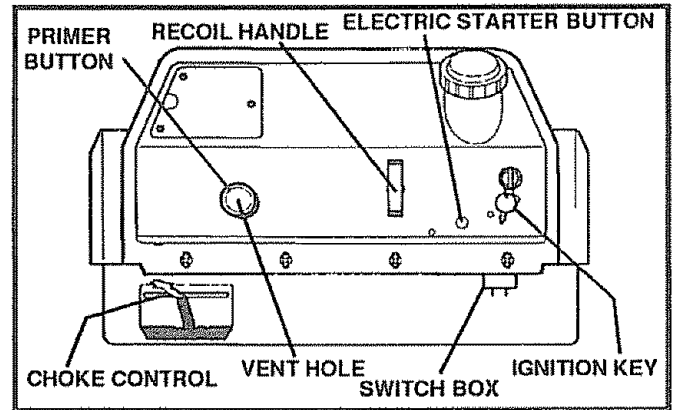


FIG. 8



**CAUTION: THIS STARTER IS EQUIPPED TO OPERATE ON 120 VOLT A C**

**HOUSEHOLD CURRENT. FOLLOW ALL INSTRUCTIONS CAREFULLY AS SET FORTH IN THE "TO START ENGINE" SECTION.**

**WHEN CONNECTING 120 VOLT AC POWER CORD, ALWAYS CONNECT THE CORD TO THE SWITCH BOX ON THE ENGINE FIRST, THEN PLUG THE OTHER END INTO THE HOUSEHOLD RECEPTACLE.**

**WHEN DISCONNECTING THE 120 VOLT AC POWER CORD, ALWAYS UNPLUG FROM THE HOUSEHOLD RECEPTACLE FIRST.**



**CAUTION: NEVER RUN ENGINE INDOORS OR IN ENCLOSED, POORLY VENTILATED AREAS. ENGINE EXHAUST CONTAINS CARBON MONOXIDE, AN ODORLESS AND DEADLY GAS.**

**ALWAYS STAND BEHIND SNOW THROWER (OPERATOR'S POSITION) WHEN STARTING ENGINE.**

**DO NOT PUT HANDS, FEET, HAIR OR LOOSE CLOTHING IN OR NEAR THE DISCHARGE CHUTE DEFLECTOR OR AUGER HOUSING WHILE THE ENGINE IS RUNNING. THE TEMPERATURE OF THE MUFFLER AND NEARBY AREAS MAY EXCEED 150° F.; AVOID THESE AREAS.**

# OPERATION

## TO STOP ENGINE (Fig. 8)

To stop the engine, turn the key to OFF and remove key. Keep key in a safe place. The engine will not start without the key.

## TO START THE ENGINE (Recoil Starter) Fig. 8

Before starting the engine, be certain that you have read and understood all the instructions on the preceding pages.

### COLD START

Insert the key and turn ON.

Move the choke control to FULL position.

Push the primer button while covering the vent hole as follows: ( Remove finger from primer button between primes).

Do not prime if temperature is above 50°F.

Two times if temperature is 50° F. to 15° F.

Four times if temperature is below 15° F.

Remove finger from primer button between primes.

- Pull the starter handle with a smooth rapid movement. Do not allow the starter rope to snap back. Rewind smoothly while holding the starter handle. If the engine fires but does not start, pull the starter handle until the engine starts.
- After three pulls, repeat the priming and pulling steps again.
- As engine warms up and begins to operate evenly, move choke lever slowly to OFF position. If the engine falters, return to 1/2 choke until it runs smoothly, then move to OFF position.

**NOTE:** Allow the engine to warm up for a few minutes before using the snow thrower, as the engine will not develop full power until it reaches operating temperature.

### WARM START

- Move the choke to the OFF position and pull the starter handle until the engine starts.
- Do not prime a warm engine. If the engine fails to start, follow the Cold Engine Start instructions above.

## SNOW THROWING TIPS

- This snow thrower will propel itself forward when the handle is raised enough to cause the auger blades to contact the ground.
- For most efficient snow throwing, turn the discharge chute deflector to throw snow downwind, and slightly overlap each swath. Use more overlap in deep snow to prevent overloading.
- The distance snow will be discharged can be adjusted by moving the discharge chute deflector. Raise the deflector for more distance or lower the deflector for less distance.
- In windy conditions, lower the chute deflector to direct discharged snow close to the ground, where it is less likely to blow into unwanted areas.
- Keep the area to be plowed free of stones, toys and other foreign objects. Such items might be covered by the first snow fall and picked up by the auger while plowing.

## DRY AND AVERAGE SNOW

- Snow up to eight inch depth can be removed rapidly by walking at a moderate rate. For snow or drifts of a greater depth, you may find it desirable to slow your pace to allow the discharge chute to dispose of the snow as rapidly as the auger receives the snow.
- Plan to have the snow discharged in the direction the wind is blowing.

## WET PACKED SNOW

- Move slowly into snow of this condition. The greater the depth, the slower you should go. When it appears that the wet, packed snow is causing the auger to slow down and the chute to clog, back off and begin a series of short jabs into the snow. These short back and forth, 4 to 6 inch jabbing motions will "belch" the snow from the chute.

## SNOW BANKS AND DRIFTS

- In snow of greater depth than the unit, use the "jabbing" technique described above. Turn the discharge chute away from the snow bank. More time will be required to remove snow of this type than level snow.

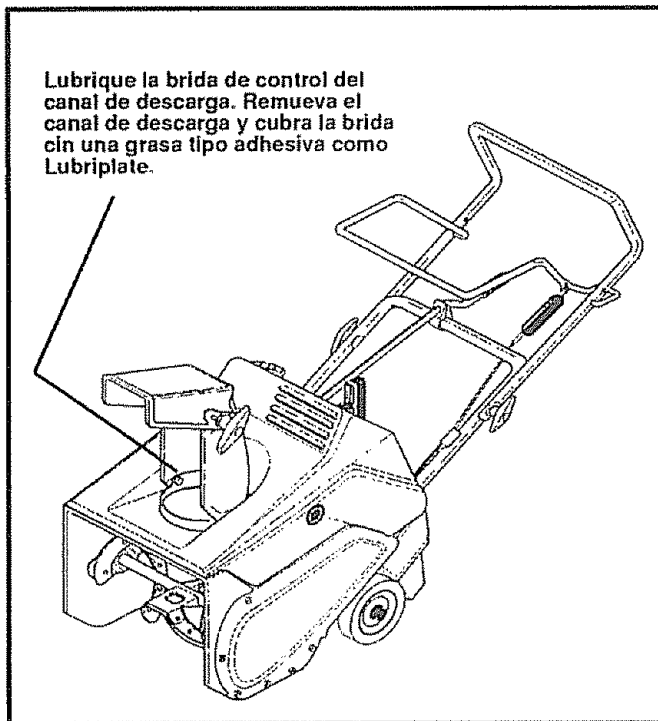


**CAUTION: OBJECTS SUCH AS GRAVEL, ROCKS OR OTHER DEBRIS, IF STRUCK BY THE AUGER, MAY BE THROWN WITH SUFFICIENT FORCE TO CAUSE PERSONAL INJURY OR PROPERTY DAMAGE.**

# RESPONSABILIDADES DEL CLIENTE

REGISTROS DESERVICIO  Llene las fechas a medida que complete su servicio regular	PROGRAMA					FECHAS DE SERVICIO				
	Antes de cada uso	Después de las primeras 12 Horas	De acuerdo a lo necesario	Antes del almacenamiento	Antes del Cada temporada					
Apretar todos los tornillos y tuercas		✓	✓							
Apretar bujía					✓					
Apretar las correas impulsoras					✓					
Apretar combustible	✓									
Drenar combustible				✓						
Lubricar la brida de control del canal				✓						

## TABLA DE LUBRICACION



## RECOMENDACIONES GENERALES

La garantía de esta removedora de nieve no cubre elementos que han estado sujetos a abuso o negligencia del operador. Para recibir el valor total de la garantía, el operador deberá dar mantenimiento a la removedora de nieve de acuerdo a las instrucciones contenidas en este manual.

Se necesitará efectuar algunos ajustes periódicamente para mantener apropiadamente su removedora de nieve.

Todos los ajustes en la sección Servicio y ajustes de este manual deberían ser verificados por lo menos una vez durante la estación.

## REMOVEDORA DE NIEVE

### DESPUES DEL PRIMER USO

- Examine todas las piezas para ver si están sueltas o dañadas, después de cada vez que use la unidad.
- Ajuste todos los pernos que estén flojos.

### DESPUES DEL CADA USO

- Haga funcionar la unidad hasta que expulse toda la nieve y quede limpio el barreno.
- Retire de la removedora cualquier resto de nieve o fango para evitar la congelación del barreno y los controles.

### LUBRICACION - SEGUN SE NECESITE

- Lubrique la brida del canal de descarga antes de guardar la unidad.
- Consulte la "Tabla de lubricación" para obtener información sobre los puntos de aceite y el tipo de lubricante a usar.

## MOTOR

### BUJIA

- Periódicamente, limpie la bujía y calibre su abertura. Para darle servicio o reemplazar la bujía, consulte la sección "Cambio de la bujía" en la página 17.
- Asegúrese de que la bujía esté colocada apropiadamente en el motor y conectada al cable respectivo.
- Si cuenta con una llave de torque (dinamométrica), ajuste la bujía entre 18 y 23 pie-libras (entre 2,48 y 2,76 kilogrametros).
- Antes de remover la bujía, limpie el área a su alrededor para evitar que ningún sucio o partícula extraña caiga en el interior del motor. inch

# SERVICIO Y AJUSTES

## AJUSTE DEL CARBURADOR

El carburador de esta removedora de nieve no es del tipo ajustable.

**IMPORTANTE:** SI USTED CREE QUE EL CARBURADOR NO ESTA FUNCIONANDO ADECUADAMENTE, COMUNIQUESE CON SU CENTRO DE SERVICIOS SEARS MAS CERCANO.



**PRECAUCION:** NUNCA TRATE DE ALTERAR LAS CONDICIONES DEL REGULADOR DEL MOTOR PUES ESTE HA SIDO COLIBRADO EN FABRICA PARA BRINDAR LA VELOCIDAD NECESARIA. EL EXCESO DE VELOCIDAD DEL MOTOR PUEDE AUMENTAR EL PELIGRO DE LESIONES PERSONALES ADEMAS DE ANULAR LA GARANTIE SOBRE EL MOTOR. SI CREE QUE EL REGULADOR DE VELOCIDAD REQUIERE DE UN AJUSTE EN ALTA, COMUNIQUESE CON EL CENTRO DE SERVICIOS SEARS MAS CERCANO, DONDE OBTENDRA EL EQUIPO Y LA EXPERIENCIA ADECUADOS PARA REALIZAR LOS AJUSTES NECESARIOS.

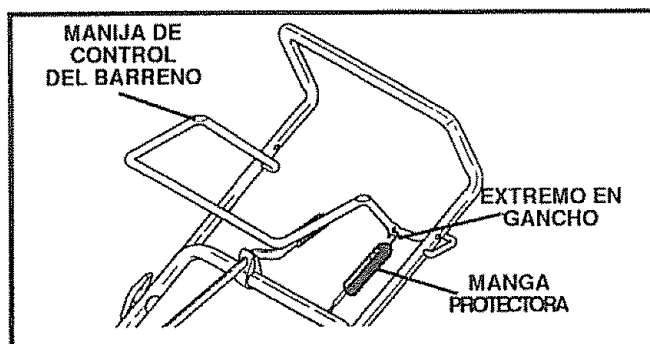


FIG. 10

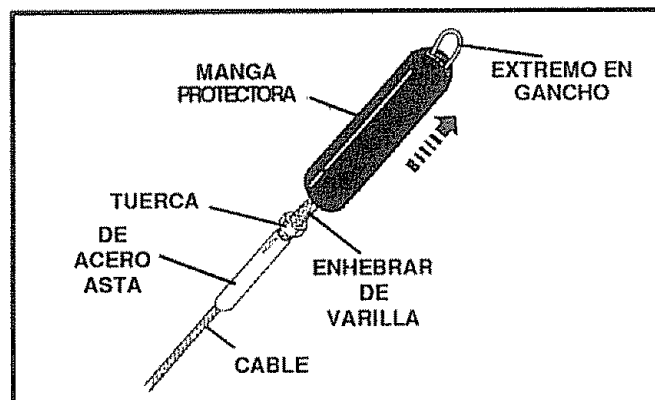


FIG. 11

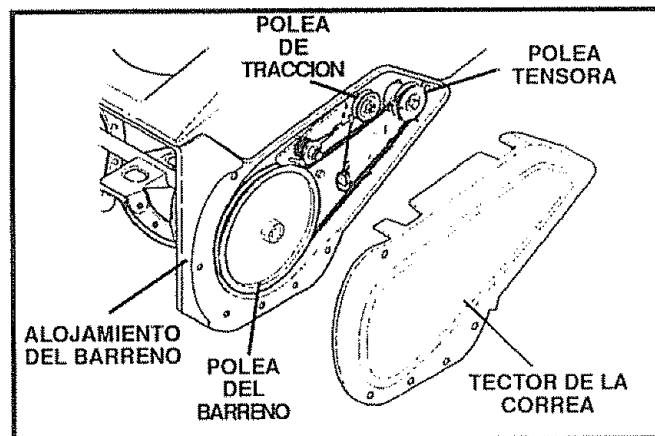


FIG. 12

## COMO AJUSTAR EL GRUPO DE LA MANIVELA DE DESCARGA

El grupo de la manivela de descarga ha sido calibrado en la fábrica y no debería ser necesario ajuste alguno. Sin embargo, si no está funcionando adecuadamente, lleve su removedora de nieve a un Centro de Servicios Sears autorizado para su reparación y ajuste.

## COMO AJUSTAR EL CABLE DE CONTROL DEL BARRENO

El cable de control del barreno ha sido ajustado en la planta para brindar el nivel de operación apropiado. Si necesita ajustar el cable a la tensión de operación apropiada, proceda de la siguiente forma:

- Deslice la manga protectora del resorte hacia el extremo en forma de gancho, dejando a la vista la sección con rosca y la tuerca de ajuste (vea la Fig. 11)
- Afloje la tuerca con una llave de 9,5 mm (3/8 pulgada) mientras sujeta el mango de acero con un alicate.
- Sujete la sección con rosca y gire el mango de acero hasta que elimine la holgura del cable y esté más tenso (vea la Fig. 11).

**NOTA:** No ponga demasiada tensión en el cable o no podrá desenganchar el embrague.

- Vuelva a apretar la tuerca contra el mango de acero.
- Vuelva a colocar la manga protectora sobre el resorte de tensión.
- Encienda la removedora de nieve y verifique que el barreno deje de girar al soltar la manija de control.
- Si el barreno continúa girando, afloje la tuerca y gire el mango de acero 2 ó 3 vueltas para distender el cable; luego, apriete nuevamente la tuerca contra el mango de acero usando las mismas herramientas (vea la Fig. 11).

# SERVICE AND ADJUSTMENTS

- Start the snow thrower and check that the auger does not continue to turn when the auger control bar is released.
- If auger continues to turn, loosen nut and twist steel shank 2 or 3 turns to loosen cable and then tighten nut against steel shank using the same tools (See Fig. 11).

## TO REMOVE BELT COVER

- Remove the belt cover (see Fig. 12 on page 14) by removing the 7 screws
- Pull the belt cover away from the snow thrower.

## TO ADJUST THE DRIVE BELT TENSION

The auger drive belt tension is set at the factory. If the snow discharge distance decreases, do the following:

- Remove the (3) screws from the access panel on the rear of the top cover.
- Disconnect the spark plug wire.
- Remove the belt cover (See to Remove the Belt Cover paragraph).
- Loosen but do not remove the nut on the idler pulley.
- Move the idler pulley to the bottom of the idler arm slot. Tighten the nut.
- Reconnect the spark plug wire.

**NOTE:** If the idler pulley is already in the bottom position, replace the belt.

## TO REPLACE THE DRIVE BELT

The drive belt on this unit is of special construction and must be replaced with the same type belt available at your nearest SEARS Service Center.

- Remove the (3) screws from the access panel on the rear of the top cover.
- Disconnect the spark plug. (See page 17).
- Remove the belt cover (See to Remove the Belt Cover paragraph on page 14).
- Loosen the nut on the belt guides
- Move the guides away from the v-belt and roll the belt off of the idler pulley.
- Carefully press the idler pulley down and remove the v-belt from under the brake on the auger pulley and roll the v-belt off of the auger pulley and the engine pulley.
- Remove the old belt.
- Loosen the nut on the idler pulley
- Move the idler pulley to the top of the idler arm slot. Tighten the nut.

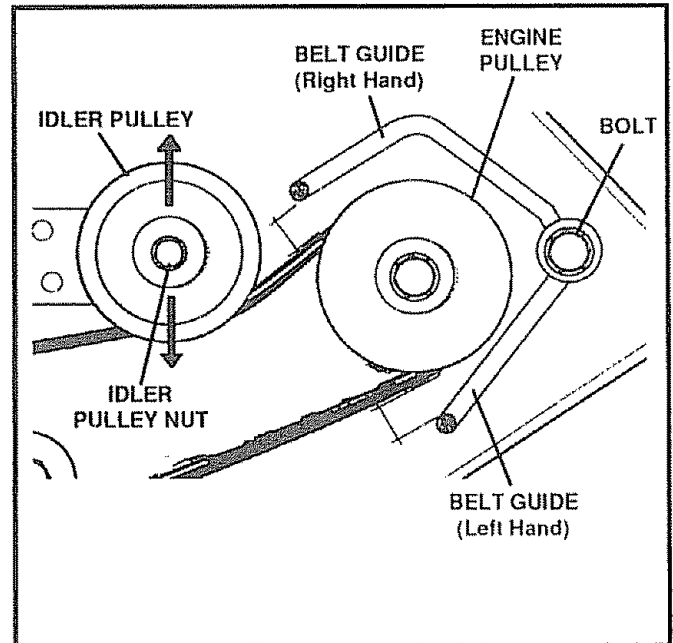


FIG. 13

- Install the new belt
- Adjust the belt guide gaps. See To Adjust the Belt Guides paragraph on page 16.
- Reconnect spark plug wire and replace access cover (See Fig. 17 on page 17).
- Start the snow thrower and check that the auger does not continue to turn when the auger control bar is released
- If auger continues to turn, loosen nut and twist steel shank 2 or 3 turns to loosen cable and then tighten nut against steel shank
- Reinstall the belt cover

# SERVICE AND ADJUSTMENTS

## TO ADJUST THE BELT GUIDES

There are two belt guides on your snowthrower. After you replace an auger drive belt, you need to adjust one or both of the belt guides (See Fig. 14). Proceed as follows:

- Remove the (3) screws from the access panel on the rear of the top cover.
- Disconnect the spark plug wire.
- Remove the belt cover (See to Remove the Belt Cover paragraph on page 15)
- Engage the auger control bar.
- Measure the distance between the belt guides and the belt. The distance should be  $1/8$ " for each guide
- If adjustment is necessary, move the belt guides to the correct position. (See Fig 14)
- Move the belt guides to the correct position.
- Release the auger control bar.
- Reinstall the belt cover.
- Reconnect the spark plug wire and reinstall the access panel.

## TO REPLACE THE SCRAPER BLADE

If the scraper blade must be replaced due to wear, proceed as follows (See Fig. 15):

- Remove 4 nuts, 4 bolts and scraper blade
- Install new scraper blade, 4 nuts, and 4 bolts

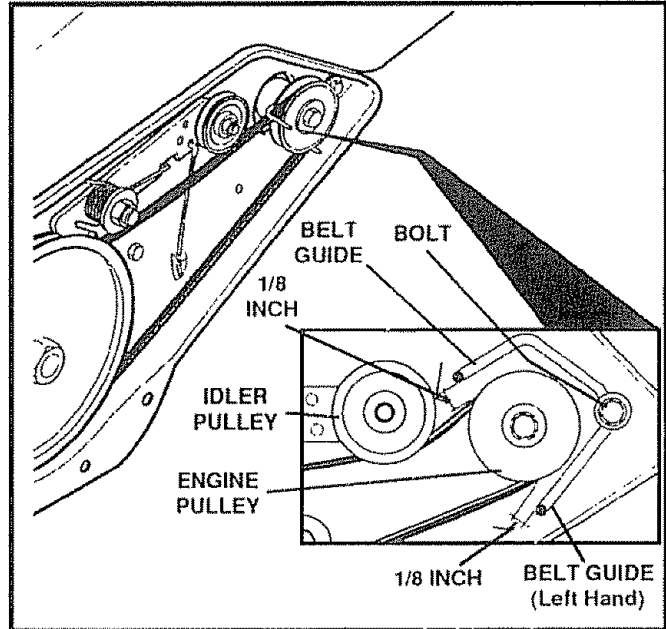


FIG. 14

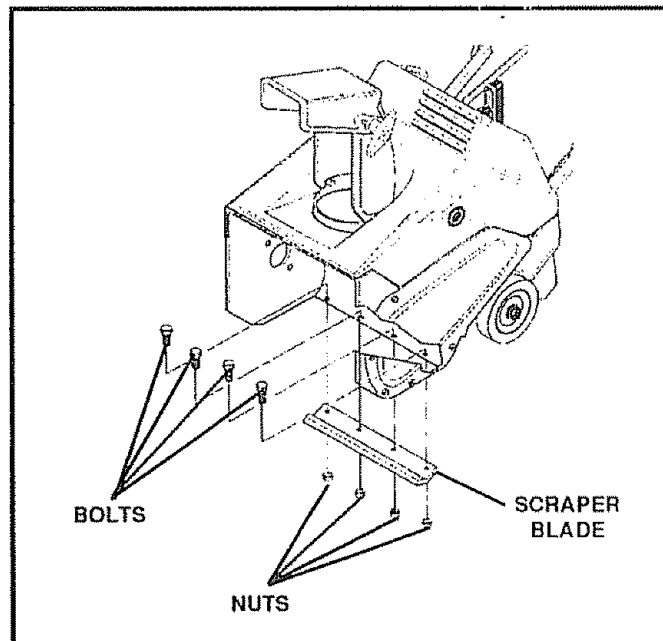


FIG. 15

# SERVICE AND ADJUSTMENTS

## TO REPLACE THE AUGER

- Remove the (3) screws from the access panel on the rear of the top cover.
- Disconnect the spark plug wire. (See To Replace Spark Plug section)
- Remove the belt cover (See To Remove Belt Cover paragraph on page 15) and the drive belt. See the Drive Belt Replacement paragraph on page 15.
- Remove the auger pulley (See Fig. 16) from the auger shaft (threads are left hand; turn clockwise to remove and place a piece of wood (2"x4") on the center paddle area to secure the auger to keep it from turning).  
**NOTE:** (When unscrewing the pulley hold the idler pulley down).
- Remove the bearing assembly from the left frame of snow thrower by removing the (2) nuts.
- Slide the auger assembly out of the bearing assembly on the right side of the snow thrower.
- Tip the auger assembly enough to allow it to slide out of the front of the auger housing.
- Install the new auger assembly in reverse order of removal.
- Reconnect the spark plug wire and reinstall access panel.

**NOTE:** Check the drive belt adjustment before reinstalling the belt cover (see To Adjust the Drive Belt paragraph on page 15).

## TO REPLACE THE SPARK PLUG

The spark plug is housed in the engine compartment under the top cover (See Fig. 17) and cannot be seen under normal conditions.

- Remove the 3 screws from the access panel on the rear of the top cover.
- Remove the spark plug wire.
- Clean the area around the plug base to prevent dirt from entering the engine when the plug is removed.
- Remove the spark plug. If it is cracked, fouled or dirty, it must be replaced (see page 4 for the proper replacement plug).
- Set the gap between the electrodes of the new spark plug at .030 inch. Next, install the spark plug in the cylinder head. Tighten the plug to 18 to 20 foot pounds. If you do not use a torque wrench, tighten the plug firmly (See Fig. 18).
- Push the spark plug wire onto the spark plug.
- Reinstall the access panel to the top cover.

## ENGINE SERVICE

Unless the operator is fully qualified to make engine repairs or adjustments, we recommend that such work be done by technicians trained to work on snow thrower type engines. Take your snow thrower to an authorized Sears Service Center for repair and adjustment.

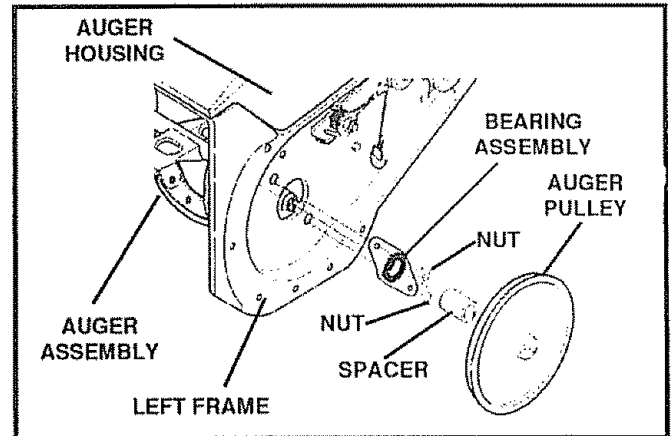


FIG. 16

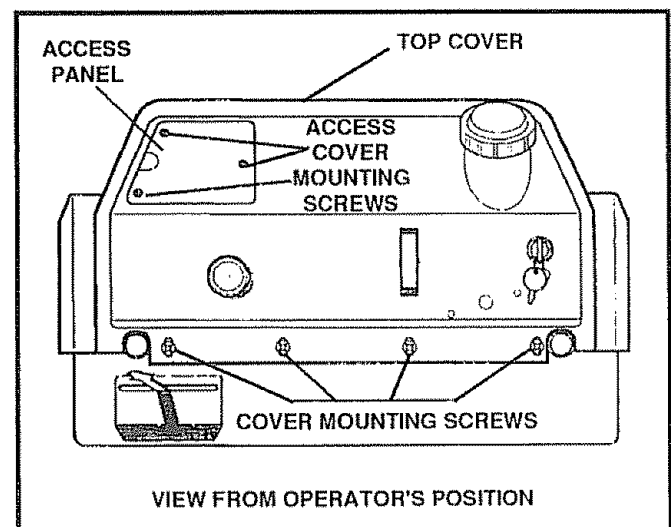


FIG. 17

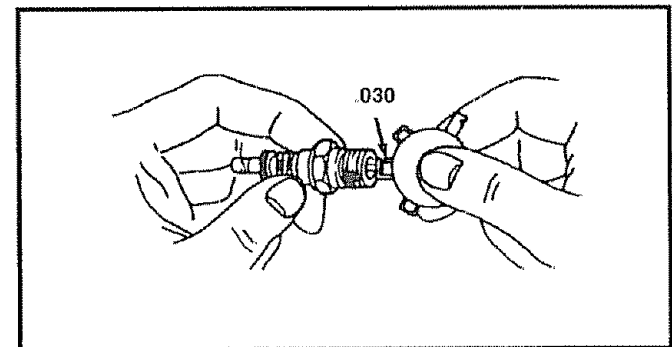


FIG. 18

## ADJUST ENGINE SPEED

Your engine speed has been factory set. Do not attempt to change engine speed or it may result in personal injury. If you believe that the engine is running too fast or too slow, take your snow thrower to an authorized Sears Service Center for repair and adjustment.

# STORAGE



**CAUTION: NEVER STORE YOUR SNOW THROWER INDOORS OR IN AN ENCLOSED, POORLY VENTILATED AREA IF GASOLINE REMAINS IN THE TANK. FUMES MAY REACH AN OPEN FLAME, SPARK OR PILOT LIGHT FROM A FURNACE, WATER HEATER, CLOTHES DRYER, CIGARETTE, ETC.**

To prevent engine damage (if snow thrower is not used for more than 30 days) follow the steps below.

## SNOW THROWER STORAGE

- Thoroughly clean the snow thrower.
- Lubricate all the lubrication points (see the Customer Responsibilities section, page 13).
- Be sure that all nuts, bolts and screws are securely fastened. Inspect all visible moving parts for damage, breakage and wear. Replace if necessary.
- Touch up all rusted or chipped paint surfaces; sand lightly before painting.
- Cover the bare metal parts of the blower housing and auger with rust preventative, such as sprayable lubricant.

## ENGINE STORAGE

Gasoline must be removed or treated to prevent gum deposits from forming in the tank, filter, hose, and carburetor during storage. Also during storage, alcohol blended gasoline that uses ethanol or methanol (sometimes called gasohol) attracts water. It acts on the gasoline to form acids which damage the engine.

- To remove gasoline, run the engine until the tank is empty and the engine stops. Then drain remaining gasoline from carburetor by pressing upward on bowl drain located on the bottom of carburetor (See Fig. 19)
- If you do not want to remove gasoline, a fuel stabilizer (such as Craftsman fuel stabilizer No. 33500) may be added to any gasoline left in the tank to minimize gum deposits and acids. If the tank is almost empty, mix stabilizer with fresh gasoline in a separate container and add some to the tank. **ALWAYS FOLLOW INSTRUCTIONS ON STABILIZER CONTAINER. THEN RUN ENGINE AT LEAST 10 MINUTES AFTER STABILIZER IS ADDED TO ALLOW MIXTURE TO REACH CARBURETOR. STORE SNOW THROWER IN A SAFE PLACE. SEE WARNING ABOVE.**

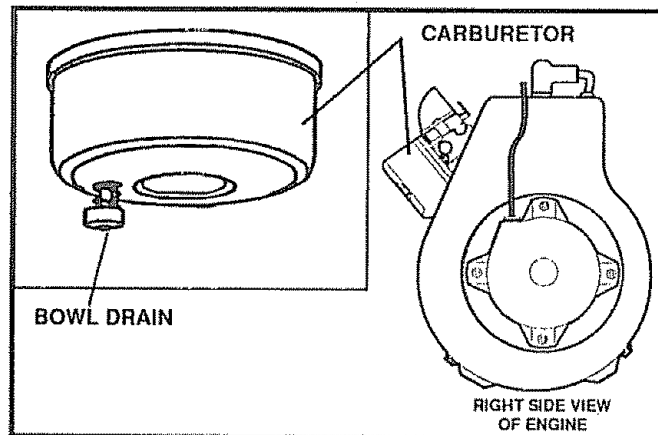


FIG. 19

**You can keep your engine in good operating condition during storage by:**

- Lubricating the piston/cylinder area. This can be done by first removing the spark plug and squirting clean engine oil into the spark plug hole. Then cover the spark plug hole with a rag to absorb oil spray. Next, rotate the engine by pulling the starter two or three times. Finally, reinstall spark plug and attach spark plug wire.

## OTHER

- If possible, store your snow thrower indoors and cover it to give protection from dust and dirt.
- If the machine must be stored outdoors, block up the snow thrower to be sure the entire machine is off the ground.
- Cover the snow thrower with a suitable protective cover that does not retain moisture. Do not use plastic or vinyl.

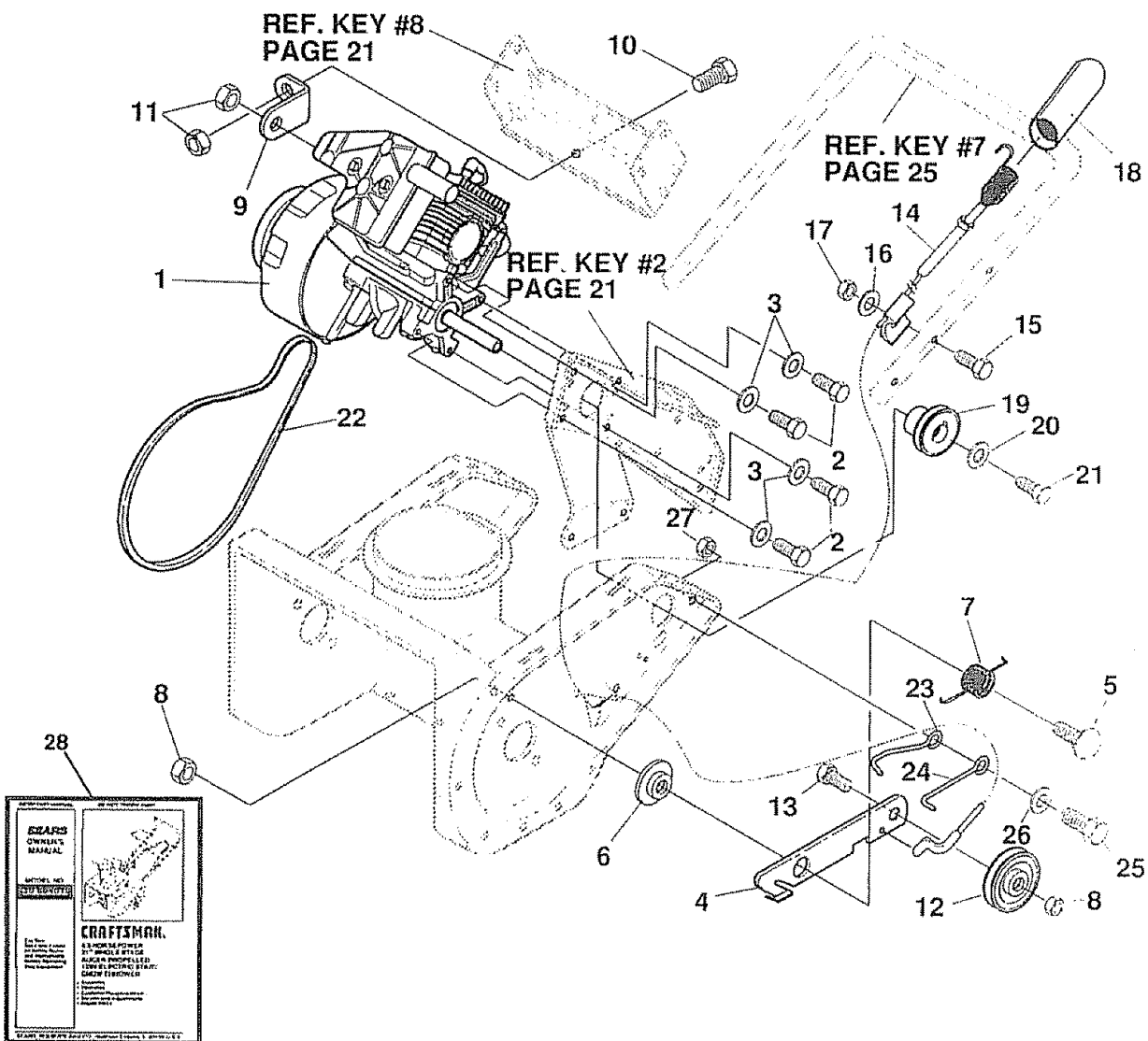
**NOTE:** A yearly checkup or tuneup at a Sears Service Center is a good way of ensuring that your snow thrower will provide maximum performance for the next season.

# TROUBLE SHOOTING POINTS

TROUBLE	CAUSE	CORRECTION
Difficult starting	Defective spark plug	Replace defective plug
Engine stalls	Unit running on FULL choke	Set choke lever to OFF position
Engine runs erratically; Loss of power	Blocked fuel line or low on fuel	Clean fuel line; check fuel supply; add fresh gasoline (oil mixture)
	Water or dirt in fuel system	Use carburetor bowl drain to flush and refill with fresh fuel
	Carburetor out of adjustment	See carburetor adjustment section on page 14
Excessive vibration	Loose parts; damaged impeller	Stop engine immediately and disconnect spark plug wire Tighten all bolts and make all necessary repairs. If vibration continues, have the unit serviced by a competent repairman
	Damaged auger	Repair or replace auger assembly
Unit fails to propel itself	Drive belt loose or damaged	Replace drive belt
	Incorrect adjustment of auger control cable	Adjust auger control cable
Unit fails to discharge snow	Auger drive belt loose or damaged	Adjust auger drive belt; replace if damaged
	Auger control cable not adjusted correctly	Adjust auger control cable
	Discharge chute clogged	Stop engine immediately and disconnect spark plug wire Clean discharge chute and inside of auger housing
	Foreign object lodged in auger	Stop engine immediately and disconnect spark plug wire Remove object from auger

# CRAFTSMAN 21" SNOW THROWER 536.884670

## ENGINE AND DRIVE REPAIR PARTS



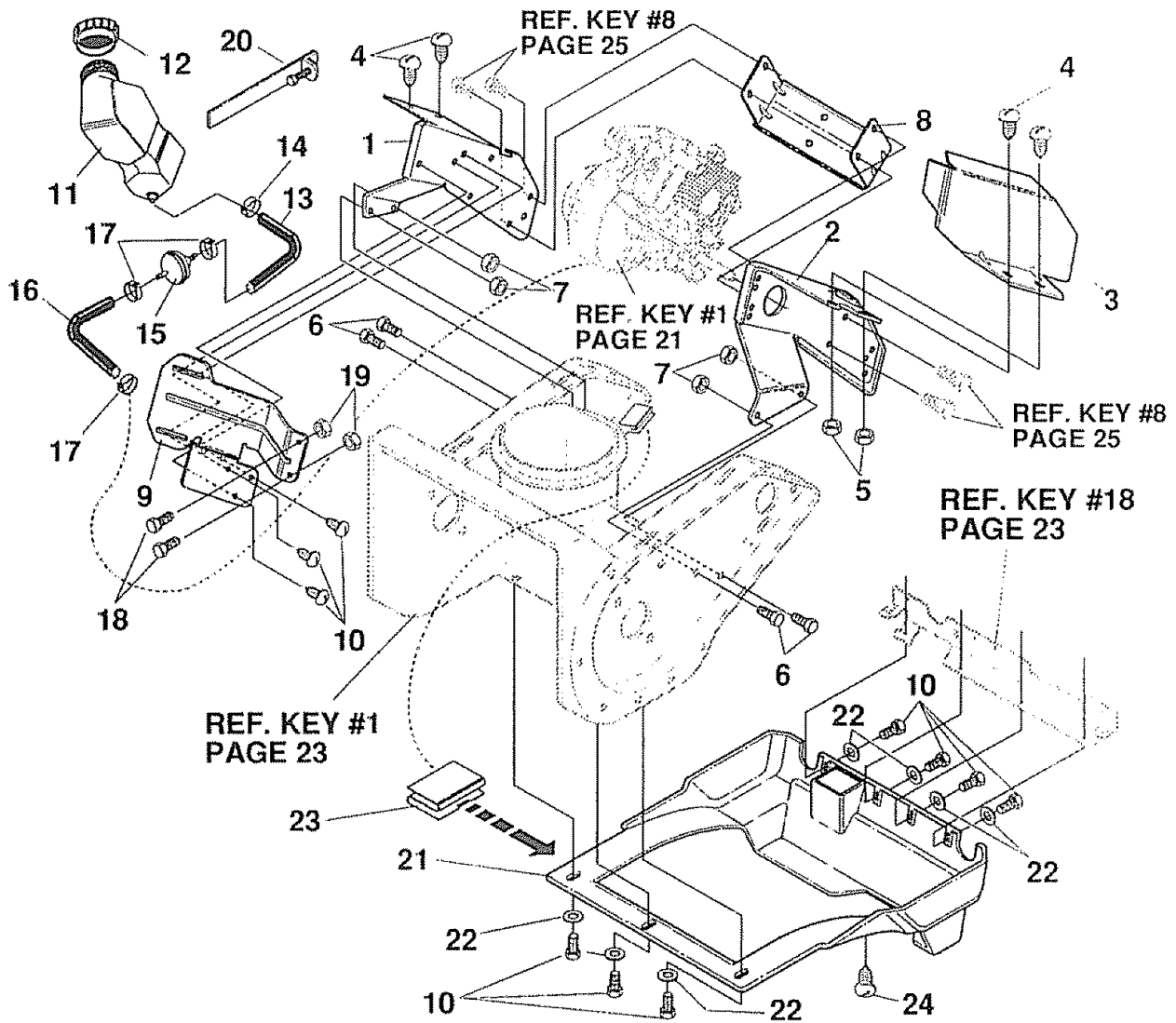
REF. NO.	PART NO.	PART NAME
1		Engine, Model 143.944571 (See Engine Repair Parts List)
2	181593	Screw, HHC, 5/16-24 x 5/8 In
3	120638	Lockwasher, Split 5/16 In
4	301418	Bracket, Idler Arm
5	318472	Bolt, Idler Arm
6	310176	Spacer, Pivot, 3/8 In
7	320150	Brake Spring, Torsion
8	41529	Locknut, Jam, 3/8-16 Thd
9	301415-830	Bracket, Engine Support
10	180073	Screw, HHC, 5/16-18 x 1/2 In
11	1498	Locknut, Hex, 5/16-18 Thd
12	301856	Pulley, Idler
13	312502	Bolt, Carriage, 3/8-16 x 1-1/4 In
14	320529	Cable, Drive Control

REF. NO.	PART NO.	PART NAME
15	70971	Screw, HHC, 1/4-20 x 1-1/2 In
16	120392	Flatwasher, 1/4 In.
17	1502	Locknut, Hex, 1/4-20 Thd
18	314142	Cover, Cable Spring
19	313595	Pulley Half
20	45602	Flatwasher, 5/16 In
21	300637	Screw, Hx Nyl, 5/16-24 x 7/8 In.
22	325890	V-Belt
23	313244	Guide, Belt
24	313243	Guide, Belt
25	180122	Screw, HHC, 3/8-16 x 1 In.
26	120394	Flatwasher, .406x 81x 066
27	1499	Nut, 3/8-16 Reghxcrtlk
28	334014	Owner's Manual

320459 B

# CRAFTSMAN 21" SNOW THROWER 536.884670

## FRAME COMPONENTS REPAIR PARTS



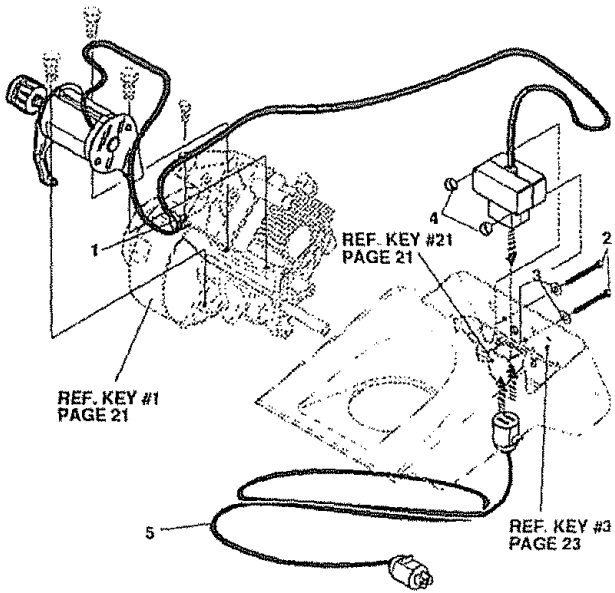
REF. NO.	PART NO.	PART NAME
1	301420-830	Rear Mount Plate, R H
2	301421-830	Rear Mount Plate, L H.
3	311738-830	Heat Shield, Engine
4	302414	Screw, 1/4-20 x 1/2 In.
5	46931	Nut, WdFILk, 1/4-20 Thd.
6	180073	Screw, Hex, 5/16-18 x 1/2 In.
7	1498	Nut, Lk 5/16-18 Thd.
8	301419-830	Support, Engine Mount
9	307724-830	Bracket, Fuel Tank
10	309814	Screw, Tap, #10-24 x 5/8 In.
11	326142	Fuel Tank
12	327019	Cap, Fuel with Seal

REF. NO.	PART NO.	PART NAME
13	323363	Gas Line, 8.0 In.
14	47345	Clamp, Hose
15	56679	Filter, In-Line
16	323395	Gas Line, 3.0 In.
17	323387	Clamp, Fuel Line
18	274707	Screw, #10-24 x 1/2 In.
19	997316	Nut, #10-24
20	311671	Clamp, Worm
21	302287	Shroud, Bottom
22	303041	Flatwasher, 203x 56x 040
23	313057	"S" Clip
24	57366	Screw, #10-16 x 50 Drilltite



# CRAFTSMAN 21" SNOW THROWER 536.884670

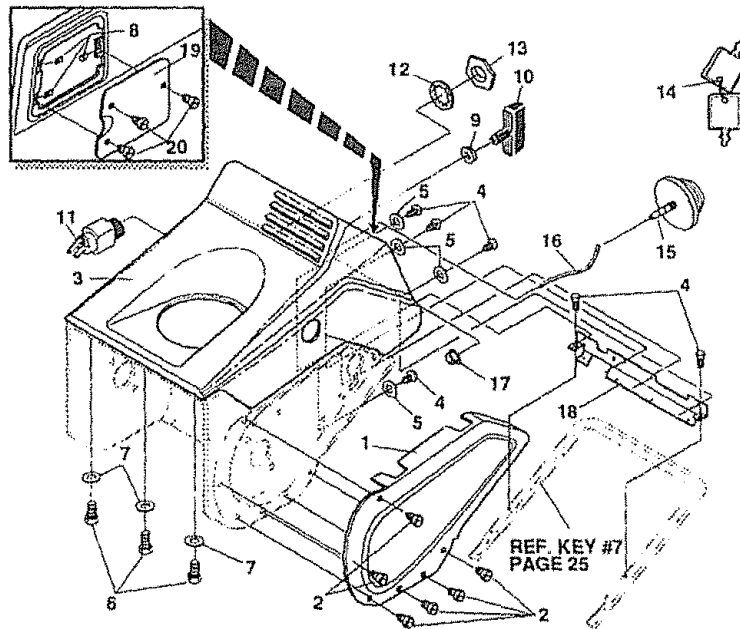
## ELECTRIC STARTER REPAIR PARTS



REF. NO.	PART NO.	PART NAME
1	57569	Wire Retainer
2	311633	Screw, #8-32 x 3 In
3	414106	Flatwasher, 188x 38x 040
4	271163	Nut, Hex Keps, #8-32
5	56023	Extension Cord

313974 A

## BELT COVER REPAIR PARTS



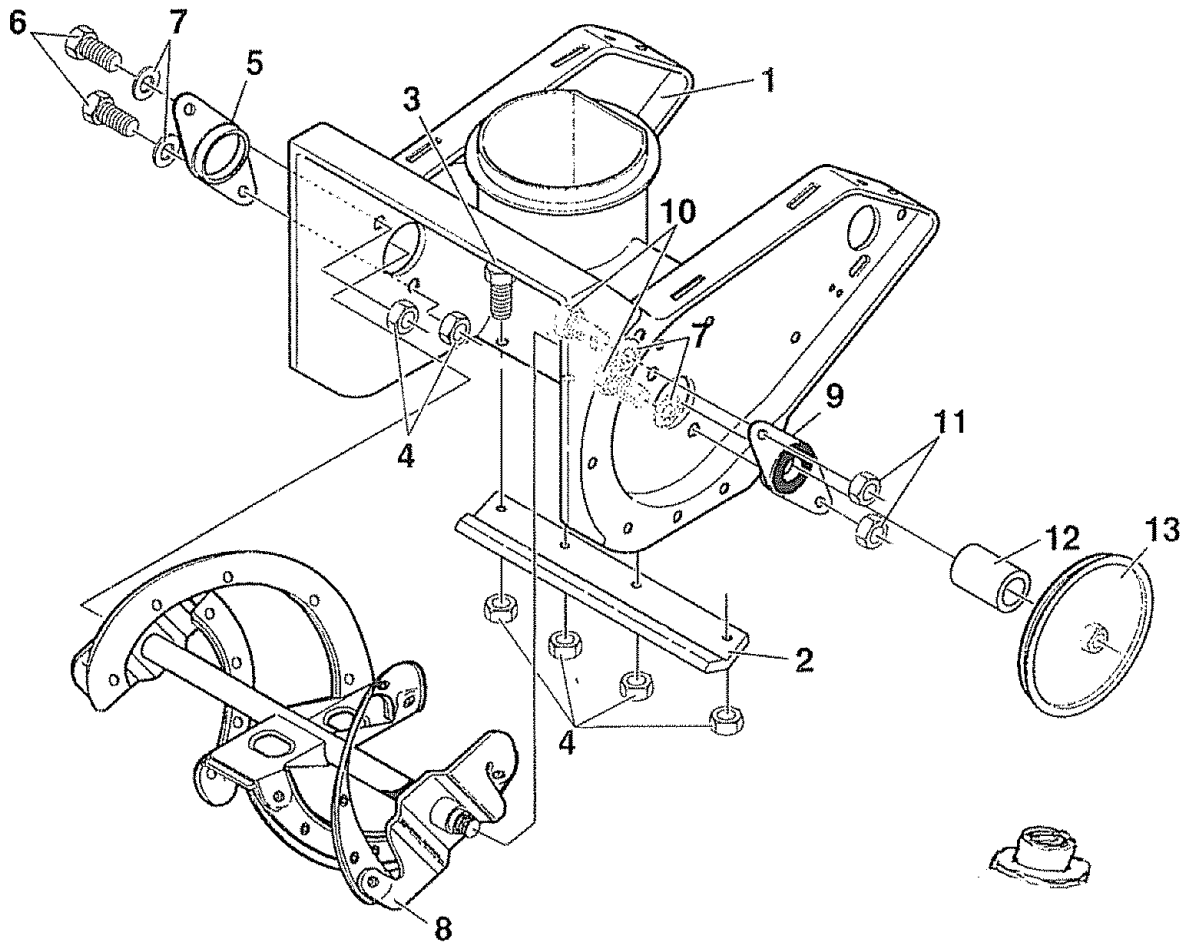
REF. NO.	PART NO.	PART NAME
1	302416-830	Cover, Belt
2	35258	Screw, #10-24x3/8 In.
3	307468	Cover, Top
4	309814	Screw, #10-24x5/8 In
5	303041	Flatwasher, 203x.56x.040
6	309813	Screw, #10-14x5/8 In.
7	120385	Flatwasher, .250x.56x.049
8	309811	Nut, Tinn "U" Type
9	57587	Grommet & Washer, Rope Guide
10	333643	Knob, Rope

REF. NO.	PART NO.	PART NAME
11	56992	Switch, Ignition
12	138557	Washer, RegIntLk
13	48140	Nut, Ign Hex, 5/8-32 Thd
14	49643	Key & Ring Assembly
15	54601	Primer, Engine
16	1259	Hose, Primer, 5 7/6 In Lg
17	303008	Nut, Hex Keps, 1/4-20 Thd
18	307469-830	Bracket, Shroud Mounting
19	307470	Door, Access, Plastic
20	312362	Screw, #10-16x3/4 In

313976 C

# CRAFTSMAN 21" SNOW THROWER 536.884670

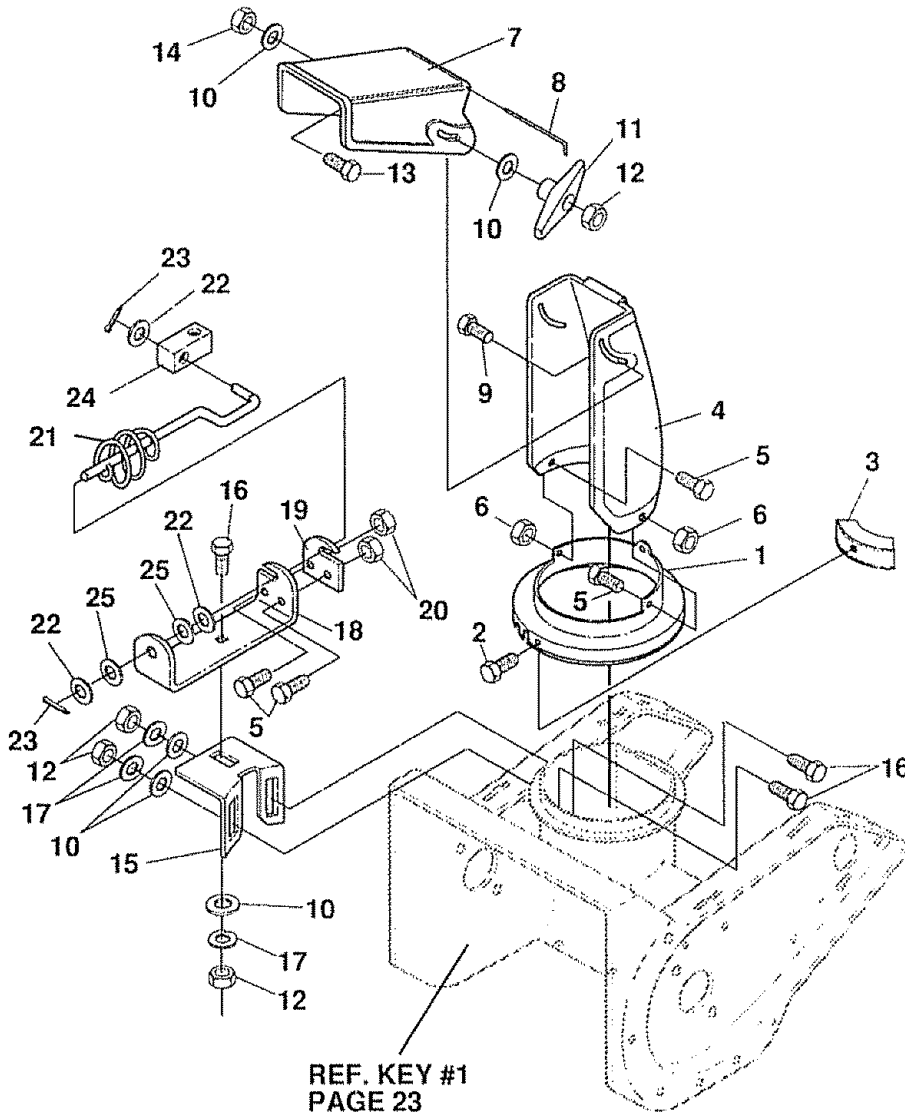
## AUGER HOUSING REPAIR PARTS



REF. NO.	PART NO.	PART NAME
1	330317-830	Auger Housing, 21"
2	302418	Blade, Scraper
3	55686	Screw, 1/4-20x5/8 In.
4	46931	Nut, WdFILk, 1/4-20 Thd.
5	54837	Bearing, Flange
6	180021	Screw, Hex, 1/4-20x7/8 In.
7	120392	Flatwasher, 286x 63x.065
8	309376	Auger Assembly, 21"
9	49562	Bearing, Ball
10	180020	Screw, Hex, 1/4-20 x 3/4 In.
11	1502	Nut, Hex Lock, 1/4-20 Thd.
12	302428	Spacer, Sle 640X 88X.732
13	301855	Pulley, V3L

# CRAFTSMAN 21" SNOW THROWER 536.884670

## DISCHARGE CHUTE REPAIR PARTS

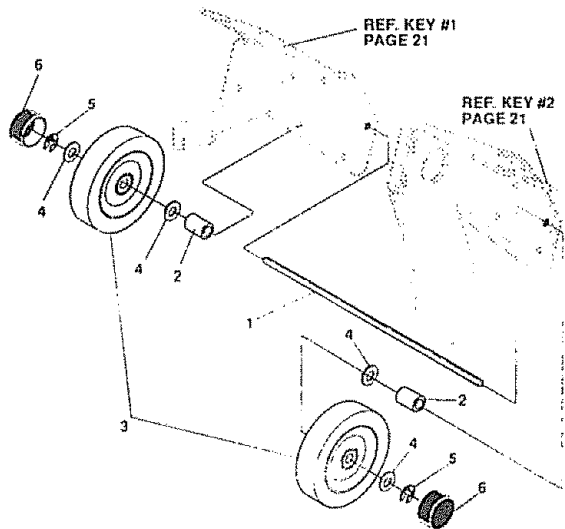


REF. NO.	PART NO.	PART NAME
1	302500	Ring, Lower Chute
2	56962	Screw, WaTap, 1/4-14x5/8 In.
3	300790	Clip, Chute Ring
4	307693	Chute, Lower
5	180016	Screw, Hex, 1/4-20x1/2 In.
6	46931	Nut, WdFILk, 1/4-20 Thd.
7	307665	Chute, Upper
8	308931	Wire, Chute Hinge
9	302843	Bolt, Carr, 5/16-18x1 25
10	120393	Flatwasher, 349x 69x.066
11	13527	Knob, Tee
12	120376	Nut, Hex, 5/16-18 Thd.
13	58208	Screw, 5/16-18x3/4 In.

REF. NO.	PART NO.	PART NAME
14	1498	Nut, Lock, 5/16-18 Thd
15	302505-830	Bracket, Worm Adjusting
16	998013	Bolt, 5/16-18x 75
17	120368	Washer, Split lock
18	300728-830	Bracket, Chute Rod
19	307741	Plate, Chute Rod
20	1502	Nut, Lock, 1/4-20 Thd
21	307742	Rod Assembly, Lower Chute
22	12452	Flatwasher, 40x 75x 025
23	121222	Pin, Cotter
24	51564	Block, Pivot
25	313431	Washer, Curved

# CRAFTSMAN 21" SNOW THROWER 536.884670

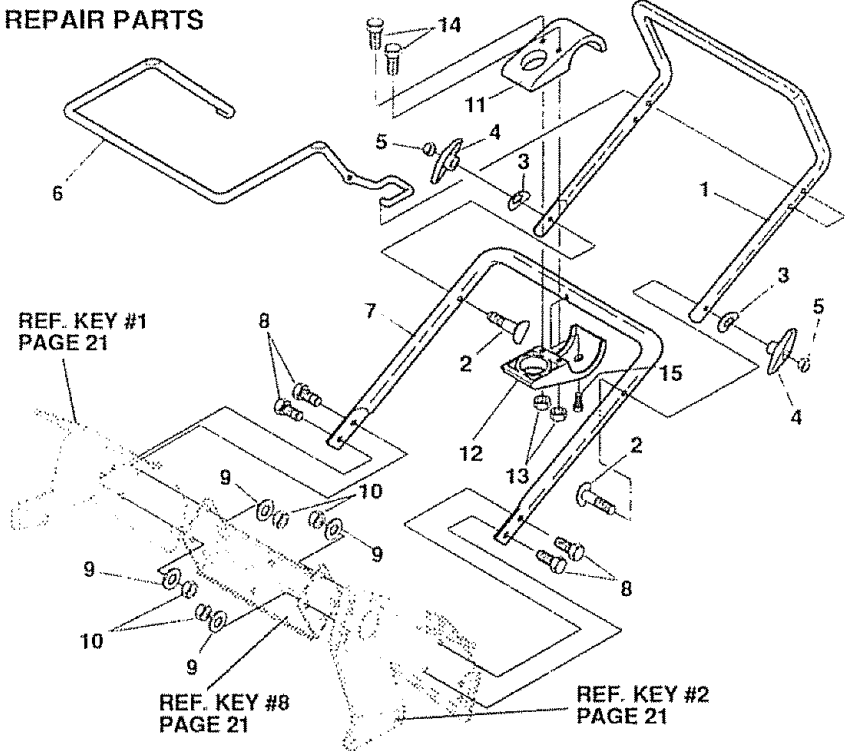
## WHEEL REPAIR PARTS



REF. NO.	PART NO.	PART NAME
1	307719	Shaft, Axle
2	309656	Spacer Slev 407x 63x 440
3	325016	Tire & Rim 8x1 75
4	120394	Flatwasher, 406x 81x.066
5	26178	E-Ring
6	36832	Hub Cap

313979 B

## HANDLE ASSEMBLY REPAIR PARTS



REF. NO.	PART NO.	PART NAME
1	301608-830	Handle, Upper
2	311767	Bolt, 5/16-18x1-3/4 In
3	22025	Washer, Formed
4	13527	Knob, Tee
5	120376	Nut, Hex, 5/16-18 Thd
6	302417-830	Bar, Drive Control
7	301607-830	Handle, Lower
8	180077	Screw, Hex, 5/16-18x3/4 In.

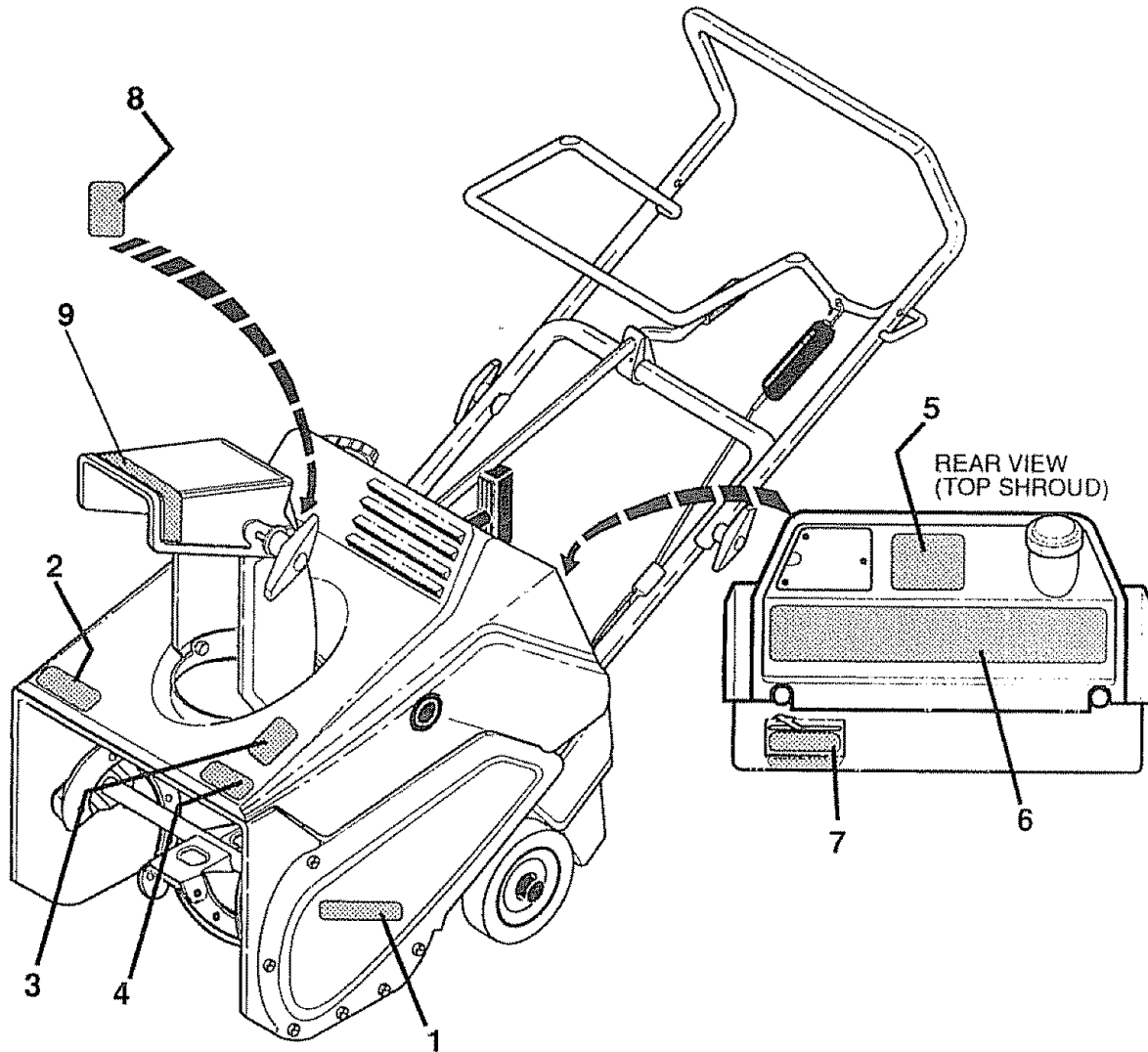
REF. NO.	PART NO.	PART NAME
9	120393	Flatwasher .349x 69x 066
10	1498	Nut, Hex, 5/16-18 Thd
11	308715	Bracket, Chute Crank
12	308716	Bracket, Chute Crank
13	997316	Nut, Lock, #10-24 Thd
14	309815	Screw, #10-24x1 In
15	310169	Screw, Tap, 1/4-20x5/8 Thd

313980 D



# CRAFTSMAN 21" SNOW THROWER 536.884670

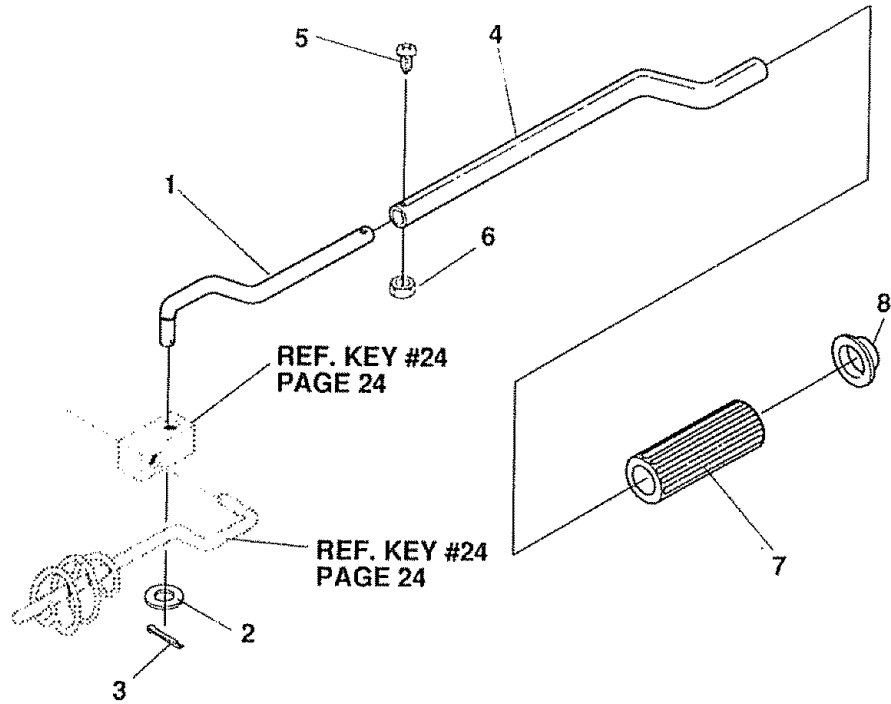
## DECALS



REF. NO.	PART NO.	PART NAME
1	308778	Decal, Craftsman
2	310151	Decal, Craftsman
3	70141	Decal, Danger Auger
4	334150	Decal, 5/21 Sears
5	313295	Decal, Start Instruction
6	313296	Decal, Control Panel
7	318494	Decal, Choke
8	313892	Decal, Danger Chute
9	308768	Decal, Danger Stripe Chute

# CRAFTSMAN 21" SNOW THROWER 536.884670

## CHUTE CONTROL ROD REPAIR PARTS



REF. NO.	PART NO.	PART NAME
1	307756	Rod, Middle Chute
2	12452	Flatwasher .40x.75x.025
3	121222	Cotter Pin
4	309449-830	Rod, Upper Chute
5	314158	Screw, #10-32 x 7/8 In.
6	314159	Nut, #10-32
7	307755	Knob, Chute Crank
8	331532	Cap Nut, Push-On

313981 B



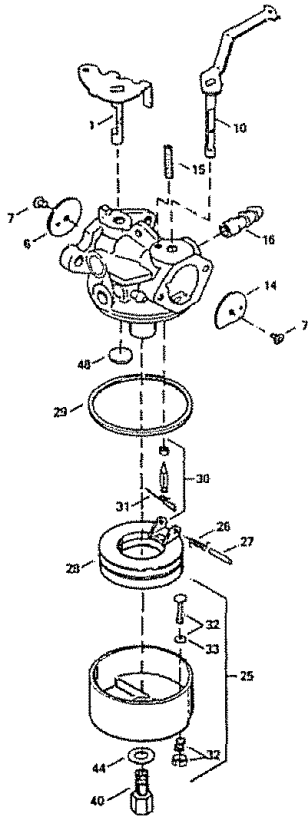
# CRAFTSMAN 2-CYCLE ENGINE

MODEL NUMBER 143.955071

KEY#	PART#	DESCRIPTION	QTY
1	250295	Cylinder Ass'y. (Incl. 75A, 105, 106, & 138)	1
16	490317	Governor Lever	1
16A	490304	Governor Lever	1
19	490320	Extension Spring	1
19A	490318	Throttle Link Spring	1
20	510340	Oil Seal	1
21	570673	Ball Bearing	3
22	510338	Slide Ring	1
23	530158	Ball Bearing	1
24	530161	Ball Bearing	1
27	530159	Bearing Retainer	1
29	530164	Bearing Strip (31 needles)	1
30	290627	Crankshaft	1
35	29826	Screw, 10-32 x 3/4"	1
35A	650961	Screw, 4-40 x 1/4"	2
37	29216	Lock Nut, 10-32	1
39	310277B	Piston & Rod Ass'y. (Incl. 29 & 42)	1
42	310278	Ring Set	1
75	510339	Oil Seal	1
75A	510337	Oil Seal	1
80	490305	Governor Shaft	1
89	611191	Flywheel Key	1
90	611192	Flywheel	1
92	650815	Belleville Washer	1
93	650816	Flywheel Nut	1
100	34443A	Solid State Ignition	1
101	610118	Spark Plug Cover	1
103	650814	Screw Torx T-15, 10-24 x 1"	2
105	650892	Screw, 5/16-18 x 2-3/16"	2
106	650891	Screw, 5/16-18 x 1-5/8	2
135	611049	Resistor Spark Plug (RCJ8Y)	2
138	570683	Port Cover	2
177	650959	Screw, 5/32 Allen, 1/4-20 x 1"	2
184	510326A	Carburetor Gasket	2
186	490319	Governor Link	1
187	570438A	Spacer	1
217	570667A	Control Lever	1
218	650847	Screw, 8-32 x 1/2"	1
239	35815	Air Cleaner Gasket	1
260	350441	Blower Housing	1
261	650894	Screw, 5/16-18 x 5/8"	4
274	510343A	Exhaust Gasket	1
275	390325	Muffler	1
277	650893	Screw, 5/16-18 x 3-13/64"	2
285	34449	Starter Cup	1
287	650926	Screw, 8-32 x 21/64"	3
325	611034	Wire Clip	1
330	611158	Wire Harness	1
350	570629A	Primer Ass'y.	1
351	32180C	Primer Line	1
361	30063	Screw, torx T-30, 1/4-20 x 1/2"	3
370	35977	Caution Decal	1
380	632642	Carburetor (Incl. 184)	1
383	570695	Spit Cup	1
384	650229	Screw, Torx T-25, 10-32 x 3/8"	2
390	590652	Rewind Starter	1
395	590670	Electric Starter Motor	1
399	510334	Gasket Eliminator (Loctite 515)	1

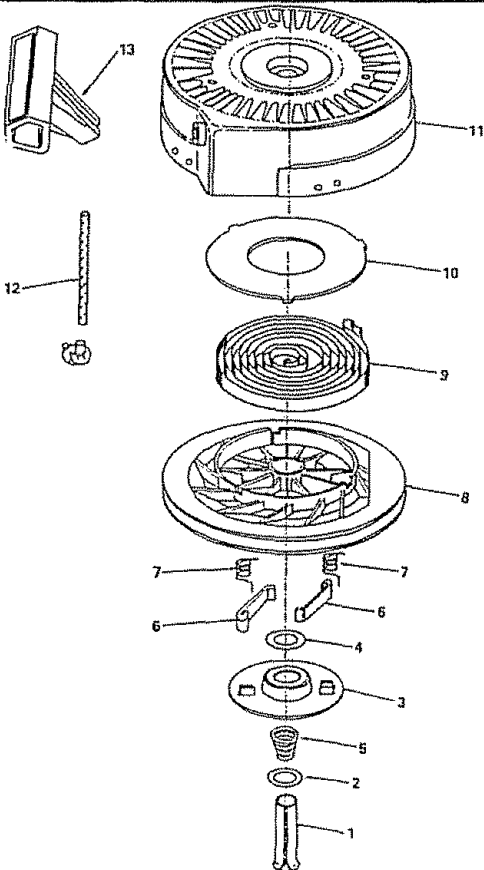


# CARBURETOR NO. 632642



KEY#	PART#	DESCRIPTION .....	QTY
1	632538	Throttle Shaft & Lever Assembly .....	1
6	631621	Throttle Shutter .....	1
7	650506	Shutter Screw .....	2
10	632566	Choke Shaft & Lever Assembly .....	1
14	631815	Choke Shutter .....	1
15	630735	Choke Positioning Spring .....	1
16	632164	Fuel Fitting .....	1
25	631951	Float Bowl Assy (Incl 32&33) .....	1
26	632386	Float Dampening Spring .....	1
27	631024	Float Shaft .....	1
28	632019	Float .....	1
29	631028	Float Bowl "O" Ring .....	1
30	631021	Inlet Needle, Seat & Clip (Incl 31) .....	1
31	631022	Spring Clip .....	1
32	27136A	Bowl Drain Assy .....	1
33	27554	Drain Plunger Gasket .....	1
40	632503	High Speed Bowl Nut .....	1
44	27110	Bowl Nut Washer .....	1
48	631027	Welch Plug, Atmospheric Vent .....	1

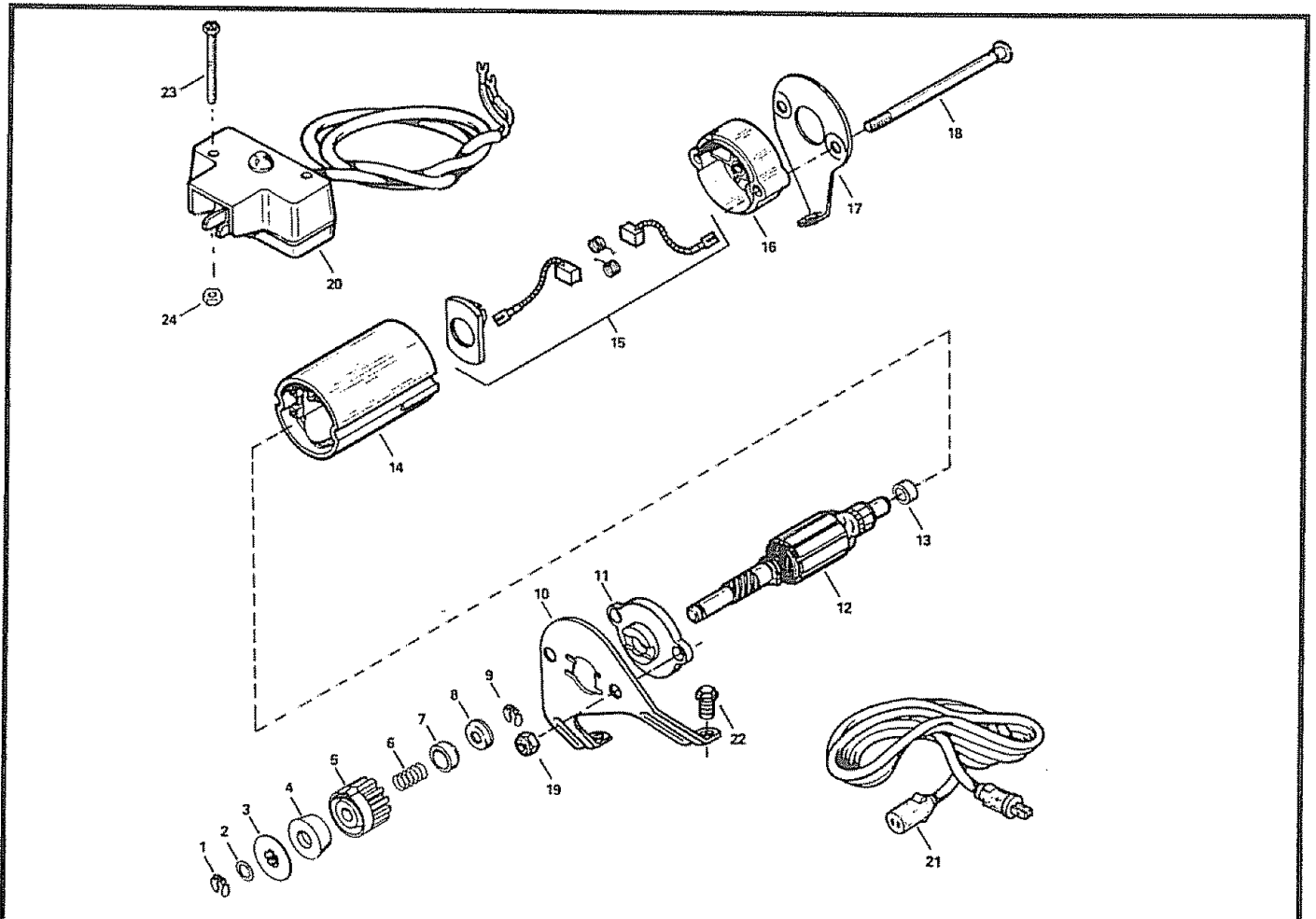
# STARTER NO. 590652



KEY#	PART#	DESCRIPTION .....	QTY
1	590599A	Spring Pin (Incl 4) .....	1
2	590600	Washer .....	1
3	590615	Retainer .....	1
4	590601	Washer .....	1
5	590598	Brake Spring .....	1
6	590616	Starter Dog .....	2
7	590617	Dog Spring .....	2
8	590645A	Pulley Ass'y (Incl 9&10) .....	1
9	590619	Rewind Spring .....	1
10	590620	Spring Cover .....	1
11	590643	Starter Housing Ass'y. ....	1
12	590535	Starter Rope (Length 98" x 9/64" dia) ..	1
13	590452	Starter Hndle .....	1



# STARTER MOTOR NO 590670



KEY#	PART#	DESCRIPTION	QTY
1	34942	Retainer Ring .....	1
2	590608	Dust Washer .....	1
3	34953	Pinion Driver .....	1
4	590644	Anti-drift Spring .....	1
5	34949A	Gear .....	1
6	590654	Anti-drift Spring .....	1
7	34950	Spring Retainer .....	1
8	34951	Cup Washer .....	1
9	34955	Retainer Ring .....	1
10	590674	Drive End Mounting Bracket .....	1
11	590675	Drive End cap Ass'y. ....	1
12	590676	Armature .....	1
13A	590677	Thrust Spacer .....	1
14	590659	Housing Ass'y. ....	1
15	590587	Brush & Spring Card Ass'y. ....	1
16	590660	Commutator End Cap Ass'y. ....	1
17	590661	Commutator End Mounting Bracket .....	1
18	590662	Case Bolt .....	2
19	33450	Lock Nut .....	2
20	590663	Switch Box & Lead Ass'y. ....	1
21	32450B	Extension cord (10'6") .....	1
22	30063	Screw, Torx T-3, 1/4-20 x 1/2" .....	3
23	650819	Screw, 6-32 x 2-1/2" .....	2
24	650742	Nut & Washer Ass'y. ....	2



# SEARS

## OWNER'S MANUAL

MODEL NO.  
**536.884670**

### HOW TO ORDER REPAIR PARTS

# CRAFTSMAN®

## 5 HORSEPOWER 21" SINGLE STAGE AUGER PROPELLED 120V ELECTRIC START SNOW THROWER

Each SNOW THROWER has its own MODEL NUMBER found on the engine housing.

Each ENGINE has its own MODEL NUMBER found on the BLOWER HOUSING.

Always mention these MODEL NUMBERS when requesting service or Repair Parts for your SNOW THROWER.

All parts may be ordered through Sears, Roebuck and Company Service Centers and most Retail Stores.

**WHEN ORDERING REPAIR PARTS, ALWAYS  
GIVE THE FOLLOWING INFORMATION:**

- \* PRODUCT - "SNOW THROWER"
- \* MODEL NUMBER - 536.884670
- \* ENGINE MODEL NUMBER - 143.955071
- \* PART NUMBER
- \* PART DESCRIPTION

Your Sears merchandise has added value when you consider that Sears has service units nationwide staffed with Sears trained technicians...Professional technicians specifically trained on Sears products, having the parts, tools and equipment to ensure that we meet our pledge to you...we service what we sell.

SEARS, ROEBUCK AND CO., Hoffman Estates, IL 60179